

# REESE

You *can* take it with you.

## INSTALLATION INSTRUCTIONS

### CHEVY PICKUP

ELKHART, IN., OAKVILLE, ONT.

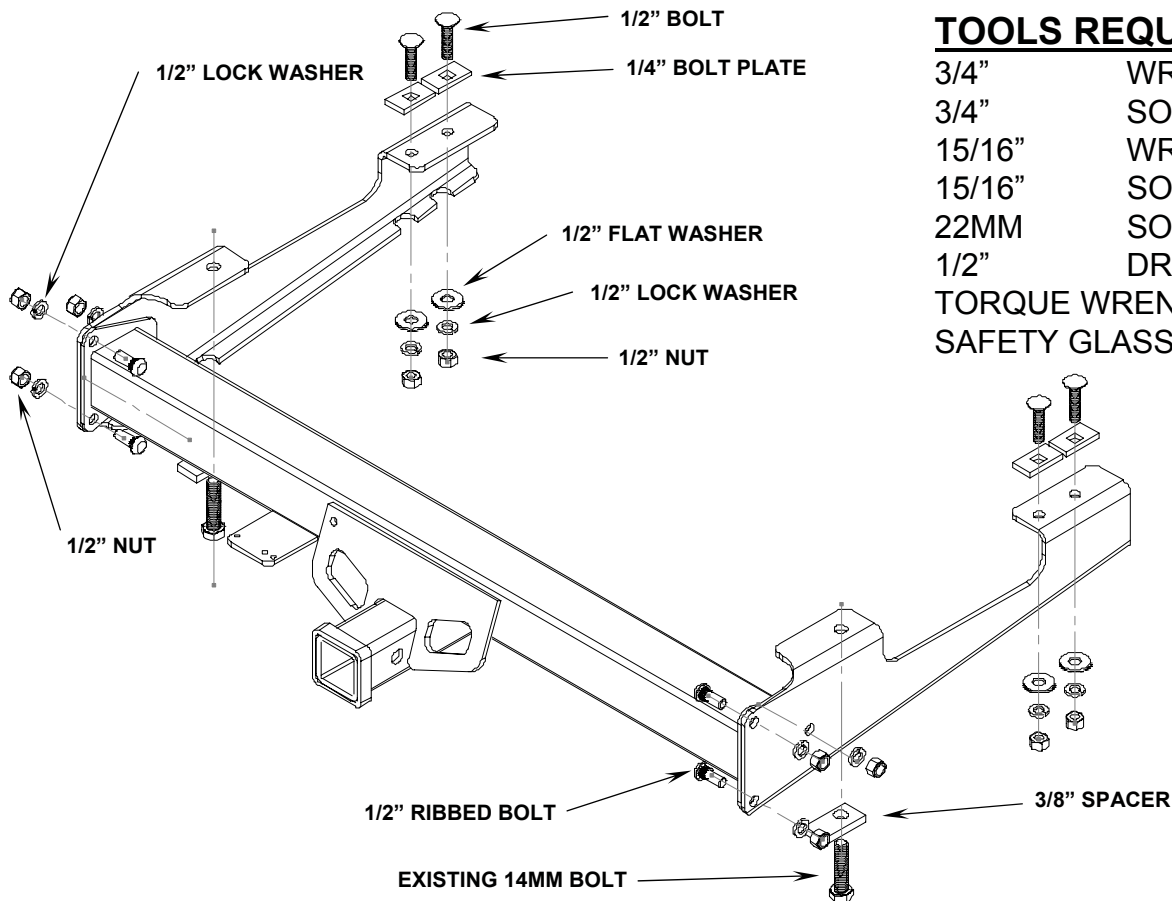
Product No.

**37044**

SMALL PARTS  
PACKAGE 37672

**WARNING:** DO NOT LUBRICATE THREADS, BOLT FAILURE MAY OCCUR DUE TO OVER TIGHTENING.  
**WARNING:** DO NOT DRILL OR WELD TO THIS HITCH.

**IMPORTANT NOTES**  
USE ONLY REESE SUPPLIED OR APPROVED BOLTS, LOCKNUTS, AND WASHERS TO INSTALL THIS HITCH



### TOOLS REQUIRED

3/4"	WRENCH
3/4"	SOCKET
15/16"	WRENCH
15/16"	SOCKET
22MM	SOCKET
1/2"	DRILL
	TORQUE WRENCH
	SAFETY GLASSES

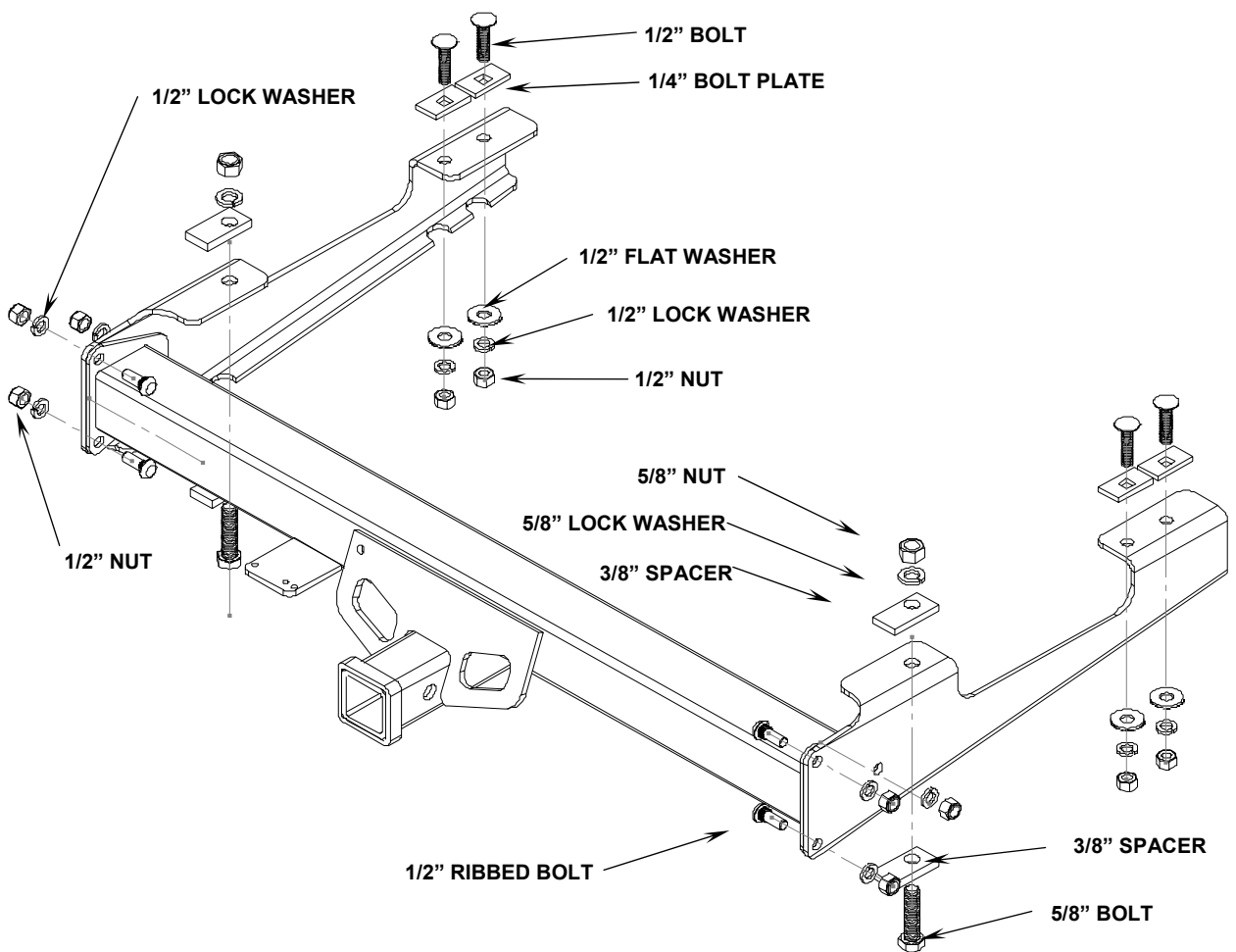
#### WITH BUMPER

1. Remove existing M14 bolts from the bumper brackets. Lift the bumper brackets into position, align the rear most hole in the brackets with the rear most hole in the frame. Install the M14 bolt with the 3/8" flat spacer up through the bracket and into the existing weld nut in the frame.
2. Install the 1/2" bolt and 1/4" bolt plate down through the frame and brackets. Install the 1/2" flat washer, 1/2" lock washer, and 1/2" nut in both positions shown above.
3. Attach receiver portion of hitch to side brackets, using ribbed bolts with lock washers and nuts.
4. Torque 1/2" hardware to 75 ft.lb. , torque 14mm hardware to 85 ft.lb.

**NOTE:** On trucks with 6 ft. beds the center holes must be drilled with a 1/2" drill using the center hole in the bracket as a guide.

(OVER)

For Installation Assistance or Technical Help, Call 1-800-758-0869



**WITHOUT BUMPER** Note: ON vehicles without bumpers it may be necessary to move the license plate mounting bracket.

1. Lift the frame brackets into position, align the rear most hole in the brackets with the rear most hole in the frame. Install the 5/8" bolt with the 5/8" flat washer up through the bracket and the frame and install the 3/8" spacer, 5/8" lockwasher, and 5/8" nut.
2. Install the 1/2" bolt and 1/4" bolt plate down through the frame and brackets. Install the 1/2" flat washer, 1/2" lock washer, and 1/2" nut in both positions shown above.
3. Attach receiver portion of hitch to side brackets using ribbed bolts with lock washers and nuts.
4. Torque 1/2" hardware to 75 ft.\*lb. And 5/8" hardware to 115 ft.\*lb.

**NOTE:** On trucks with 6 ft. beds the center holes must be drilled with a 1/2" drill using the center hole in the bracket as a guide.

**For Installation Assistance or Technical Help, Call 1-800-758-0869**

THIS PRODUCT COMPLIES WITH SAFETY SPECIFICATION AND REQUIREMENTS FOR THE STATE OF NEW YORK AND VESC REGULATION V-5 FOR CONNECTING DEVICES AND TOWING SYSTEMS. WEIGHT DISTRIBUTING HITCH RATING IS 12000 LB. MAX. GROSS TRAILER WEIGHT AND 1200 LB. MAX. TONGUE WEIGHT. WEIGHT CARRYING HITCH RATING IS 6000 LB MAX GROSS TRAILER WEIGHT AND 600 LB MAX TONGUE WEIGHT. CONSULT VEHICLE OWNERS MANUAL FOR TOWING RECOMMENDATIONS AND LIMITATIONS.

## LIMITED WARRANTY

Reese warrants its Hitches, custom Hitch Receivers, and Sway Controls from date of purchase against defects in material and workmanship under normal use and service, ordinary wear and tear excepted, for the ownership life of the original consumer purchaser. Reese will replace FREE OF CHARGE any part which proves defective in material or workmanship when presented to any Reese dealer, Reese Warehouse or return to factory. TRANSPORTATION CHARGES PREPAID, at the address below. THIS WARRANTY IS LIMITED TO DEFECTIVE PARTS REPLACEMENT ONLY. LABOR CHARGES AND/OR DAMAGE INCURRED IN INSTALLATION OR REPLACEMENT AS WELL AS INCIDENTAL AND CONSEQUENTIAL DAMAGES CONNECTED THEREWITH ARE EXCLUDED. Some states do not allow the exclusion or limitation of incidental or consequential damages, so the above limitation or exclusion may not apply to you. Any damage to the Hitch, Custom Hitch receiver or Sway Control as a result of misuse, abuse, neglect, accident, improper installation, or any use violative of instructions furnished by us, WILL VOID THE WARRANTY. This warranty gives you specific legal rights, and you may also have other rights which vary from state to state. In the event of a problem Reese warrants its Hitches, Custom Hitch Receivers and Sway Controls from date of purchase against defects in material and workmanship under normal use and service, ordinary wear and tear excepted, for the ownership life of the original consumer purchaser. with warranty service or performance, you may be able to go to a small claims court, a state court, or a federal district court.

Reese Products, Inc.  
51671 State Road 19-N  
Elkhart, IN 46514

Reese Products of Canada, Ltd.  
475 Wycroft Road  
Oakville, Ontario  
Canada L6K2H2