



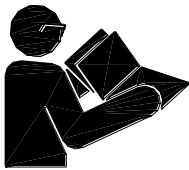
MA1578111T.4

ITEM NUMBERS:

A1573701, A1573981, A1577541, A1578111,
A1578171, A1578131, A1578181, A1578151,
A1578201, A1578203, A1578173, A157711,
A157712, A157594, A1577110, A15782030

Owner's Manual

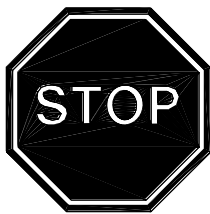
Pressure Washer Pump: For high pressure cleaning machines.



⚠ WARNING

Read this manual.

Serious injury or death can result if safety instructions are not followed.



Pump is shipped with oil.

Must check oil level before use.

- Remove shipping plug and install vented fill cap. (Comet Pumps)
- Remove shipping tape and vlack vent plug (if present) from oil fill cap. (Cat Pumps)
- Remove shipping plug and install dipstick. (General Pumps)
- Remove shipping plug and install dipstick. (NorthStar Pumps)
- Remove shipping plug and install vented fill cap. (Powerhorse Pumps)
- See pump oil cap section of this manual.

Closely inspect all components.

- If you have damaged components then: Contact the freight company that delivered the unit and file a claim.
- If you have missing components then: Contact Customer Service at 1-800-270-0810.

fig03102

Any Questions, Comments, Problems or Parts Orders
Call NorthStar Product Support 1-800-270-0810

Hazard Signal Word Definitions






	<p>This is the safety alert symbol. It is used to alert you to potential personal injury hazards. Obey all safety messages that follow this symbol to avoid possible injury or death.</p>
	<p>DANGER (red) indicates an imminently hazardous situation which, if not avoided, will result in death or serious injury.</p>
	<p>WARNING (orange) indicates a potentially hazardous situation which, if not avoided, could result in death or serious injury.</p>
	<p>CAUTION (yellow) indicates a potentially hazardous situation which, if not avoided, may result in minor or moderate injury.</p>
	<p>CAUTION (yellow) used without the safety alert symbol indicates a potentially hazardous situation which, if not avoided, may result in property damage.</p>

fig01453

Table of Contents

Important Safety Rules	4, 5
Pump Oil Cap and Pump Component Identification...	6
Operation Instructions	7-9
Water Supply.....	7
Start-Up/Shut-Down Instructions.....	8
Applying Chemicals.....	9
Maintenance and Storage.....	10-12
Maintenance Mode and Maintenance Schedule...	10
Pump Oil Change.....	11
Long Term Storage.....	12
Winter Storage.....	12
Troubleshooting	13
Specifications	13
Parts Explosions	14
Pump Explosions	16

Important Safety Rules


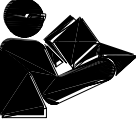




 WARNING	
	<p>1.) Read owner's manual completely. Serious injury or death can result if safety instructions are not followed. You must be 16 or older to operate this machine. Keep untrained people away.</p>
	<p>2.) Skin puncture hazard. High pressure fluid can inject under skin resulting in serious injury including amputation. Do not direct spray at people or animals. -If skin injection happens, seek IMMEDIATE surgical treatment. -Do not check for leaks with hand. Instead, use a piece of cardboard to check for leaks. -Do not use unit if exterior hose damage is evident. Make sure all fittings are tight before starting. Relieve system pressure before servicing. -Know how to stop engine and bleed pressures quickly. Be thoroughly familiar with the controls. -Make sure accessories meet the unit's temperature and pressure limits. -Stop engine, bleed pressure, and engage spray gun safety lock before leaving unit unattended.</p>
 	<p>3.) Risk of fire and explosion. Hot exhaust fumes from engine can cause fire. Gasoline is highly flammable and explosive. You can be burned or seriously injured when handling fuel. -Position muffler at least 7 feet from combustible objects. -Before adding fuel, stop the engine and keep heat, sparks, and flame away. Do not add fuel when engine is running or still hot. No smoking near engine. -Do not pump fuel directly into engine at gas station. Static charge can build and ignite fuel. Use a UL approved fuel container to transfer gas to the engine. Wipe up fuel spills immediately. -Only store and handle fuel outdoors. Gasoline vapors can ignite if they collect inside an enclosure. Explosion can result. -Do not change or add to exhaust system. Fire can result. -Do not change or add fuel tanks or fuel lines. Fire can result. -Before each use, check fuel tank and fuel lines for leaks. Any fuel leak is a fire hazard. Fix any fuel leaks before starting engine. -During transportation take precautions to make sure pressure washer will not tip over and cause a fuel leak fire hazard.</p>
	<p>4.) Poisonous gas. This machine gives off carbon monoxide, a poisonous gas that can kill you. You CANNOT smell it, see it, or taste it. -ONLY run machine outdoors and away from air intakes. -NEVER run machine inside homes, garages, sheds, or other semi-enclosed spaces. These spaces can trap poisonous gases, EVEN IF you run a fan or open doors and windows. If you start to feel sick, dizzy, or weak while using this machine, shut it off and get to fresh air RIGHT AWAY. See a doctor. You may have carbon monoxide poisoning.</p>

fig01572

Save These Instructions

Important Safety Rules

⚠️ WARNING



5.) Risk of exposure to dangerous chemicals.

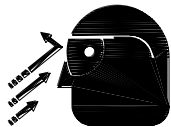
Serious injury or death can result if chemical manufacturer instructions are not followed.

- Wear protective gloves when handling and cleaning with chemicals.
- Understand all safety hazards and first aid for all chemicals being used.
- When cleaning filters, check if chemicals have been used and take any precautions that are recommended by the chemical manufacturer.
- Different chemicals may interact dangerously with each other, always follow chemical manufacturer directions before switching chemicals.
- Calculate the correct amount of chemical to mix, dispose of excess chemical per the manufacturer instructions.
- Never spray flammable liquids.



6.) Risk of electrocution.

Electricity can kill you. Keep water away from electrical outlets and electrical devices.



7.) Flying objects.

Small particles may fly out while spraying. Wear safety glasses. Serious eye injury can occur.

Make sure nozzle is secure before squeezing trigger. If nozzle is not secure it will become a projectile.



8.) Fall hazard.

Pressure washer creates puddles and slippery surfaces. Keep good footing and balance. Serious injury can occur.

- Wear footwear capable of maintaining a good grip on wet surfaces.
- Gun kicks back. Hold with both hands.
- Do not overreach or stand on unstable supports.
- Do not stand on ladders or scaffolding.
- Do not place pressure washer on soft or unstable ground.



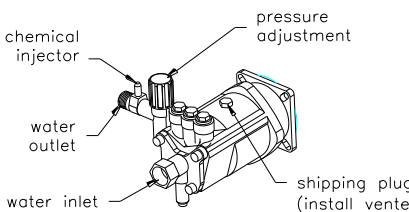
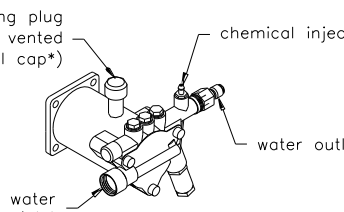
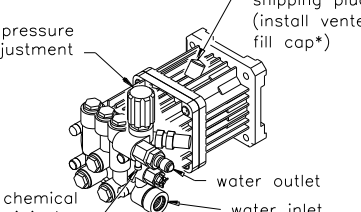
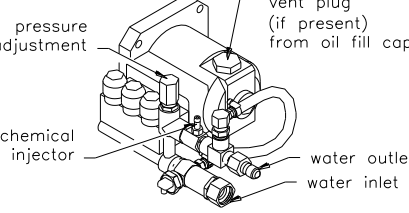
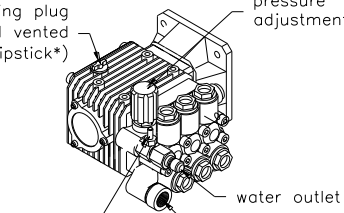
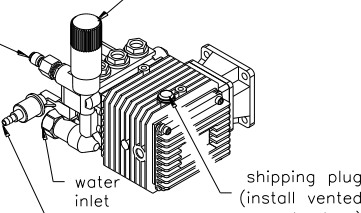
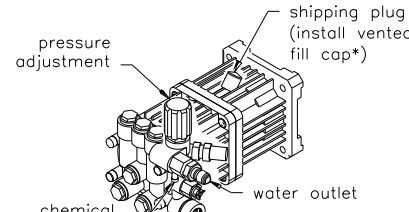
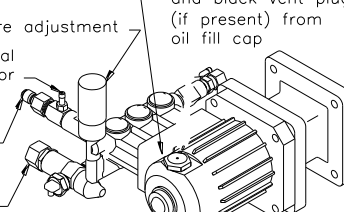
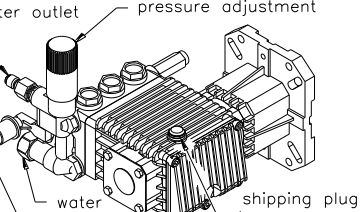
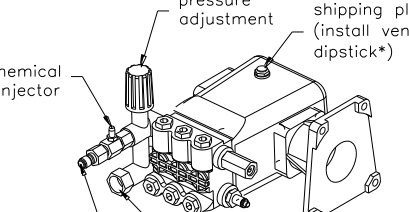
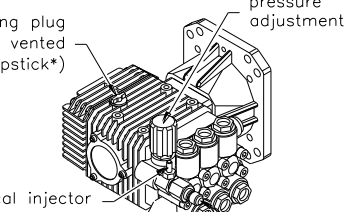
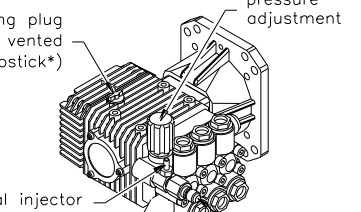
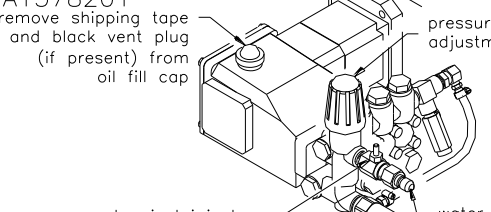
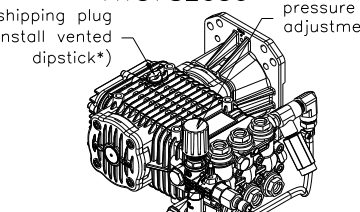
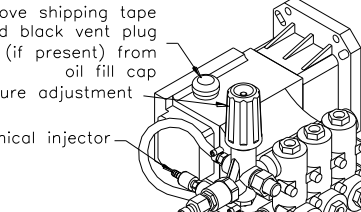
⚠️ CAUTION

1.) Hot muffler.

You can be burned by muffler. Do not touch.

fig01846

Pump Oil Cap and Pump Component Identification

<p>A157711 & A1577110</p>  <p>chemical injector</p> <p>pressure adjustment</p> <p>water outlet</p> <p>water inlet</p> <p>shipping plug (install vented fill cap*)</p>	<p>A1577541</p>  <p>shipping plug (install vented fill cap*)</p> <p>chemical injector</p> <p>water outlet</p> <p>water inlet</p>	<p>A1578111</p>  <p>pressure adjustment</p> <p>shipping plug (install vented fill cap*)</p> <p>water outlet</p> <p>water inlet</p>
<p>A1578171</p>  <p>pressure adjustment</p> <p>remove shipping tape and black vent plug (if present) from oil fill cap</p> <p>chemical injector</p> <p>water outlet</p> <p>water inlet</p>	<p>A1578173</p>  <p>shipping plug (install vented dipstick*)</p> <p>pressure adjustment</p> <p>chemical injector</p> <p>water outlet</p> <p>water inlet</p>	<p>A1573701</p>  <p>pressure adjustment</p> <p>water outlet</p> <p>water inlet</p> <p>chemical injector</p> <p>shipping plug (install vented dipstick*)</p>
<p>A1578131</p>  <p>pressure adjustment</p> <p>shipping plug (install vented fill cap*)</p> <p>chemical injector</p> <p>water outlet</p> <p>water inlet</p>	<p>A1578181</p>  <p>pressure adjustment</p> <p>remove shipping tape and black vent plug (if present) from oil fill cap</p> <p>chemical injector</p> <p>water outlet</p> <p>water inlet</p>	<p>A1573981</p>  <p>water outlet</p> <p>pressure adjustment</p> <p>water inlet</p> <p>chemical injector</p> <p>shipping plug (install vented dipstick*)</p>
<p>A157712</p>  <p>pressure adjustment</p> <p>shipping plug (install vented dipstick*)</p> <p>chemical injector</p> <p>water inlet</p> <p>water outlet</p>	<p>A1578151</p>  <p>shipping plug (install vented dipstick*)</p> <p>pressure adjustment</p> <p>chemical injector</p> <p>water outlet</p> <p>water inlet</p>	<p>A1578203</p>  <p>shipping plug (install vented dipstick*)</p> <p>pressure adjustment</p> <p>chemical injector</p> <p>water outlet</p> <p>water inlet</p>
<p>A1578201</p>  <p>remove shipping tape and black vent plug (if present) from oil fill cap</p> <p>shipping plug (install vented dipstick*)</p> <p>pressure adjustment</p> <p>chemical injector</p> <p>water inlet</p> <p>water outlet</p>	<p>A15782030</p>  <p>shipping plug (install vented dipstick*)</p> <p>pressure adjustment</p> <p>chemical injector</p> <p>water outlet</p> <p>water inlet</p>	<p>A157594</p>  <p>remove shipping tape and black vent plug (if present) from oil fill cap</p> <p>shipping plug (install vented dipstick*)</p> <p>pressure adjustment</p> <p>chemical injector</p> <p>water outlet</p> <p>water inlet</p>

*Note: Discard shipping plug and o-ring.

FIG05218

Operation Instructions

Water Supply

- 1.) Make sure the water supply is clean. Debris can cause excess pump wear and reduce performance.
- 2.) An insufficient water supply will damage your pump. Make sure the water supply is steady and is 20% over the rated flow of your pump. Use a stopwatch to time how long it takes to fill a 5 gallon bucket with your garden hose. The bucket must fill faster than the times listed in the table below.

Model	Time to fill 5 gallon bucket
A157711	100 seconds
A1577541	100 seconds
A1578111	100 seconds
A1578171	100 seconds
A1578173	100 seconds
A1573701	84 seconds
A1578131	84 seconds
A1578181	84 seconds
A1573981	63 seconds
A157712	63 seconds
A1578151	72 seconds
A1578203	72 seconds
A1578201	72 seconds
A157594	63 seconds
A1577110	100 seconds
A15782030	50 seconds

- 3.) The water supply garden hose must have an inside diameter of at least 5/8". If the hose is more than 100 ft. long, the diameter must be at least 3/4".
- 4.) Never use a reservoir tank as a water source. Drawing water out of a tank may cause pump cavitation and damage to your pump. This pressure washer is designed for a pressurized water source such as a city water faucet. However, the water source pressure must not exceed 115 psi (8 bar).
- 5.) Always use a flexible rubber hose for your water supply. Do not use rigid piping.
- 6.) Always keep a fire extinguisher rated "ABC" nearby.

Operation Instructions

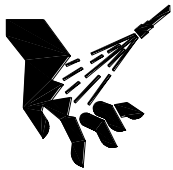
Start-Up Instructions

1. Attach garden hose to water inlet.
2. Attach pressure hose to water outlet and gun.
3. Attach spray gun to lance.
4. Turn water supply ON.
5. Squeeze trigger to purge air from pump.
6. Insert nozzle.
7. Start engine.

Shut-Down Instructions

1. Turn engine OFF.
2. Turn water supply OFF.
3. Squeeze trigger to relieve system pressure.
4. Remove garden hose.
5. Remove pressure hose.
6. Turn fuel valve OFF (if equipped).

⚠ WARNING



Skin puncture hazard.

High pressure fluid can inject under skin resulting in serious injury including amputation. Do not direct spray at people or animals.

-If skin injection happens, seek IMMEDIATE surgical treatment.

-Do not check for leaks with hand. Instead, use a piece of cardboard to check for leaks.

-Do not use unit if exterior hose damage is evident. Make sure all fittings are tight before starting. Relieve system pressure before servicing.

-Know how to stop engine and bleed pressures quickly. Be thoroughly familiar with the controls.

-Make sure accessories meet the unit's temperature and pressure limits.

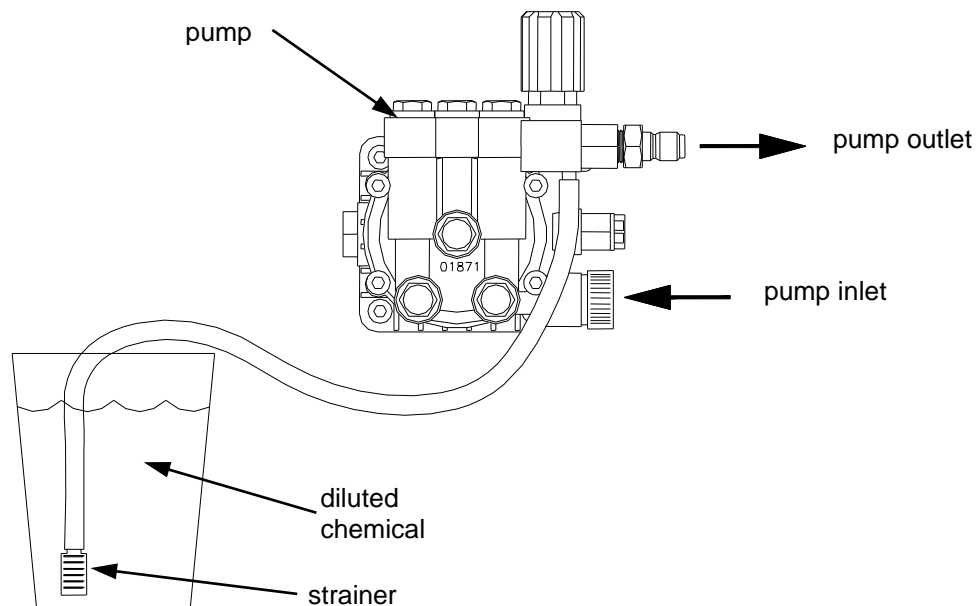
-Stop engine and bleed pressures before leaving unit unattended.

fig01863

Operation Instructions

Applying Chemicals

- 1.) Install the black nozzle to spray chemicals onto the cleaning surface.
- 2.) Start the pressure washer according to the start-up instructions.
- 3.) Submerge the chemical hose in cleaning solution.
- 4.) Squeeze the spray gun trigger. The chemical injector will draw the chemical into the water stream.
- 5.) Apply chemicals evenly onto the cleaning surface. Allow the chemicals to react with the dirt, then clean at high pressure with green nozzle.
- 6.) Never use more chemical than is necessary to clean the surface.
- 7.) To clean the chemical injector, draw water through the strainer until all the chemical is purged from the system.



⚠️ WARNING

Risk of exposure to dangerous chemicals.

Serious injury or death can result if chemical manufacturer instructions are not followed.

- Wear protective gloves when handling and cleaning with chemicals.
- Understand all safety hazards and first aid for all chemicals being used.
- When cleaning filters, check if chemicals have been used and take any precautions that are recommended by the chemical manufacturer.
- Different chemicals may interact dangerously with each other, always follow chemical manufacturer directions before switching chemicals.
- Calculate the correct amount of chemical to mix, dispose of excess chemical per the manufacturer instructions.
- Never spray flammable liquids.



fig01846

Maintenance and Storage


Maintenance Mode

Before performing any maintenance on the pressure washer, it must be placed in maintenance mode.

- 1.) Turn off engine.
- 2.) Turn off water supply.
- 3.) Squeeze trigger to relieve system pressure.
- 4.) Shut off fuel valve.
- 5.) Unplug spark plug wire from spark plug, (see engine owners' manual).

Maintenance Schedule

What to Check	When To Check	What to Do
Inlet Filter	Each Use	Visually inspect and clean inlet filter with clear water.
Pressure Hose	Each Use	Visually inspect pressure hose and hose couplings. Replace hose if any of the following is evident: hose coupling is damaged, wire mesh is exposed or damaged, hose is permanently kinked or flattened, outer hose cover is blistered or loose.
Bolts	Each Use	Tighten any loose bolts.
Engine Oil	See engine manual	See engine manual for oil change instructions
Pump Oil	After 1 st 50hrs, then 3mo/500hr	Change pump oil. See pump oil change instructions on next page.



⚠ WARNING

Skin injection hazard.

High pressure fluid can inject under skin resulting in serious injury including amputation.

- Make sure all fittings are tight before applying pressure. Relieve system pressure before servicing.
- Do not check for leaks with hand. Instead, use a piece of cardboard to check for leaks.
- If skin injection happens, seek immediate "Surgical Treatment".

fig01454

Maintenance and Storage

Pump Oil Change

- 1.) Place a suitable container below the pump to catch used oil, then remove the oil fill cap and oil drain plug.
- 2.) Allow the used oil to drain completely, then reinstall the drain plug and tighten securely.
- 3.) Please dispose of used oil in a manner that is compatible with the environment. We suggest you take used oil in a sealed container to your local recycling center or service station for reclamation. Do not throw it in the trash, pour it on the ground or down the drain.
- 4.) With the pump in a level position, fill to the half way point on the oil sight glass (see pump oil capacities below). For Comet or NorthStar pumps use Universal Tractor Transmission Oil or Mobil1 synthetic oil (15W50). For Cat pumps use SAE30 non-detergent oil or Cat Pump Oil Item# 22158. For General Pumps use SAE30 non-detergent oil. For Powerhorse pumps, use SAE30 non-detergent.

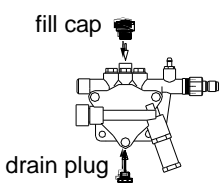
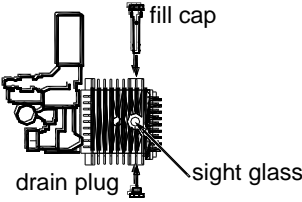
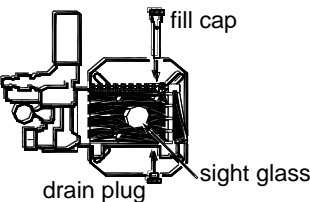
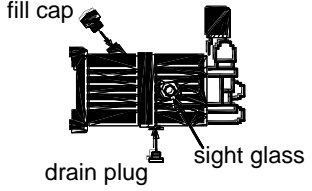
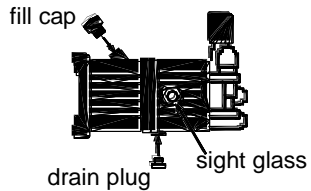
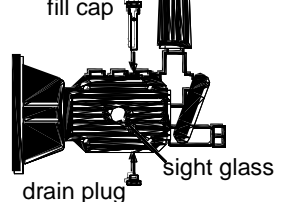
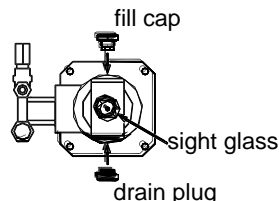
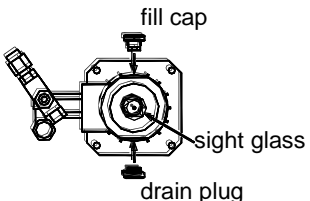
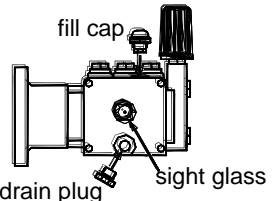
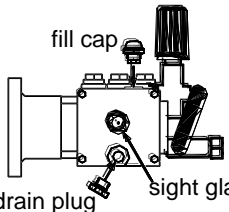
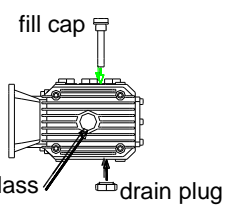
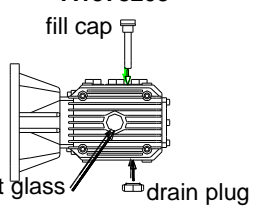
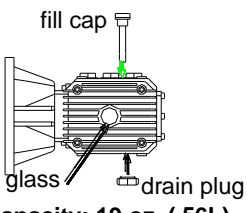
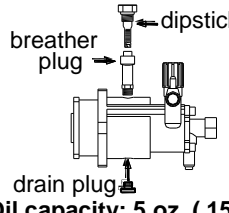
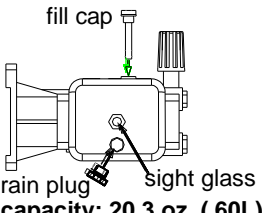
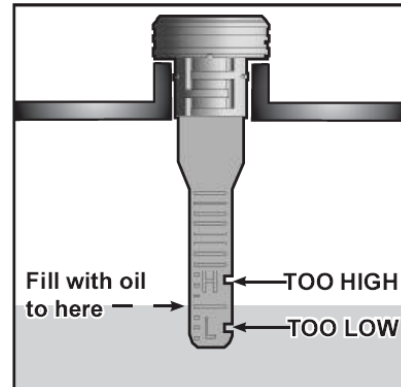
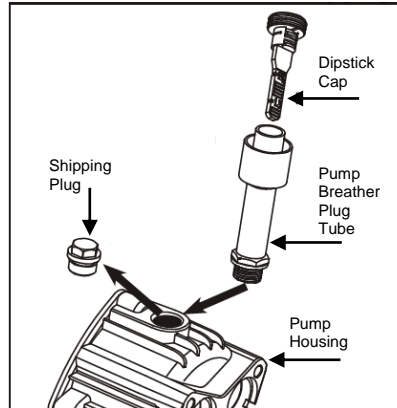
<p>A1577541</p>  <p>fill cap drain plug</p> <p>Oil capacity: 3.4 oz. (.10 L)</p>	<p>A1573701</p>  <p>fill cap drain plug sight glass</p> <p>Oil capacity: 11 oz. (.33 L)</p>	<p>A1573981</p>  <p>fill cap drain plug sight glass</p> <p>Oil capacity: 14 oz. (.41 L)</p>
<p>A1578111</p>  <p>fill cap drain plug sight glass</p> <p>Oil capacity: 5.7 oz. (.17L)</p>	<p>A1578131</p>  <p>fill cap drain plug sight glass</p> <p>Oil capacity: 5.7 oz. (.17L)</p>	<p>A1578151</p>  <p>fill cap drain plug sight glass</p> <p>Oil capacity: 10.3 oz. (.30L)</p>
<p>A1578171</p>  <p>fill cap drain plug sight glass</p> <p>Oil capacity: 8.5 oz. (.25L)</p>	<p>A1578181</p>  <p>fill cap drain plug sight glass</p> <p>Oil capacity: 10.2 oz. (.30L)</p>	<p>A1578201</p>  <p>fill cap drain plug sight glass</p> <p>Oil capacity: 22.6 oz. (.62L)</p>
<p>A157594</p>  <p>fill cap drain plug sight glass</p> <p>Oil capacity: 22.6 oz. (.62L)</p>	<p>A1578173</p>  <p>fill cap drain plug sight glass</p> <p>Oil capacity: 11 oz. (.32L)</p>	<p>A1578203</p>  <p>fill cap drain plug sight glass</p> <p>Oil capacity: 10.3 oz. (.30L)</p>
<p>A15782030</p>  <p>fill cap drain plug sight glass</p> <p>Oil capacity: 19 oz. (.56L)</p>	<p>A157711 & A1577110</p>  <p>breather plug dipstick drain plug</p> <p>Oil capacity: 5 oz. (.15L)</p>	<p>A157712</p>  <p>fill cap drain plug sight glass</p> <p>Oil capacity: 20.3 oz. (.60L)</p>

FIG05217

Maintenance and Storage

Checking Oil Level for A157711 & A1577110

- 1.) Turn off engine, allow it to cool and disconnect the spark plug wire.
- 2.) Twist the dipstick cap until the arrow on the cap lines up with the arrow on the breather plug. Remove the dipstick from the breather plug. Then remove the breather plug from the pump.
- 3.) Wipe the dipstick off with a clean dry cloth. Insert the dipstick into the pump housing and remove it. The oil level should be at least to the lower "L" notch on the dipstick, but not above the upper "H" notch. Add above recommended oil as needed.
- 4.) Thread the pump breather plug tube back into the pump housing.
- 5.) Align the arrow on the dipstick cap with the arrow on the breather plug tube, insert it, and twist it to secure. Reconnect the spark plug.



Long Term Storage

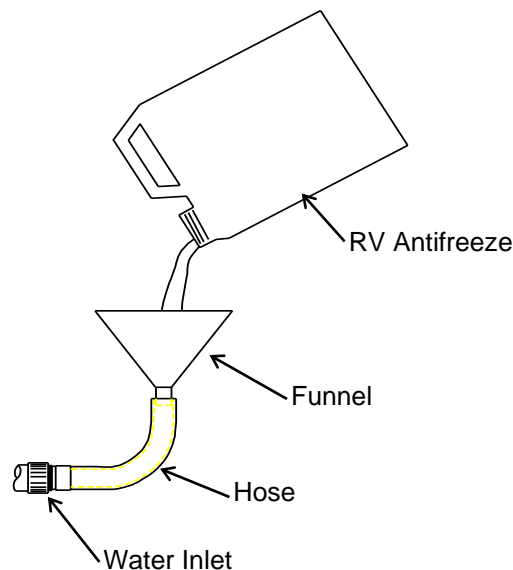
Follow the engine owner's manual for storing the engine.

Winter Storage

Protect your pump, hose, and gun from freezing.

Items needed: 12" piece of garden hose or equivalent, funnel and RV antifreeze (approximately 6 oz.)

- 1.) Follow the storage instructions listed above.
- 2.) Disconnect spark plug cable. Make sure the engine start switch is OFF, and the fuel valve is OFF.
- 3.) Attach the garden hose with funnel to the pump inlet (see illustration).
- 4.) Pour RV antifreeze into the funnel, pull the engine recoil until antifreeze comes out the pump outlet.
- 5.) Drain all water from the high pressure hose. Depress trigger on gun and drain all water out of gun/lance.



Troubleshooting

Problem	
Engine will not start	SOLUTION: A,B
Low/Surging pressure or no water flow	SOLUTION: C,D,E,F,G,H
No chemical injection	SOLUTION: I,J,K,L
Cause	Solution
A- Low oil shutdown	See engine manual for oil requirements
B- Engine starting instructions not followed	See engine manual for starting instructions
C- Insufficient water supply	See water supply section of this manual
D- Plugged pump inlet filter	See maintenance section of this manual
E- Wrong nozzle	Make sure high pressure nozzle is being used
F- Plugged nozzle	Remove nozzle, check for blockage
G- Worn nozzle	Replace nozzle
H- Leak in pressure hose	Replace pressure hose
I- Wrong nozzle	Make sure chemical nozzle is being used
J- Back pressure from extra long discharge hose	Try shorter hose
K- Leak in chemical siphon hose	Replace hose – use hose clamps if necessary
L- Chemical strainer not submerged	Make sure strainer is completely submerged

Specifications

Item #	PSI	GPM	Max Water Temp	Power	Shaft Size	Nozzle Size
A1573701	2500	3.0	140°F	5-6.5hp Gas engine	3/4" keyed	#3.5
A1577541	2700	2.5		5-6.5hp Gas engine	3/4" keyed	#3.0
A1578111	2700	2.5		5-6.5hp Gas engine	3/4" keyed	#3.0
A1578171	2750	2.5		5-6.5hp Gas engine	3/4" keyed	#3.0
A1573981	3000	4.0		11-13hp Gas engine	1" keyed	#4.5
A157711	3000	2.5		5-6.5hp Gas engine	3/4" keyed	#3.0
A1578173	3000	2.5		5-6.5hp Gas engine	3/4" keyed	#3.0
A1578131	3000	3.0		8-9hp Gas engine	1" keyed	#3.5
A1578181	3200	3.0		8-9hp Gas engine	1" keyed	#3.5
A157712	3500	4.0		11-13hp Gas engine	1" keyed	#4.0
A1578151	4000	3.5		11-13hp Gas engine	1" keyed	#3.5
A1578201	4000	3.5		11-13hp Gas engine	1" keyed	#3.5
A1578203	4000	3.5		11-13hp Gas engine	1" keyed	#3.5
A157594	4000	4.0		15hp Gas engine	1" keyed	#4.0
A1577110	3000	2.5		5-6.5hp Gas engine	3/4" keyed	#3.0
A15782030	3000	5.0		11-13hp Gas engine	1" keyed	#5.5

The manufacturer reserves the right to make improvements in design and/or changes in specifications at any time without incurring any obligation to install them on units previously sold.

Parts Explosions – Rev T.4

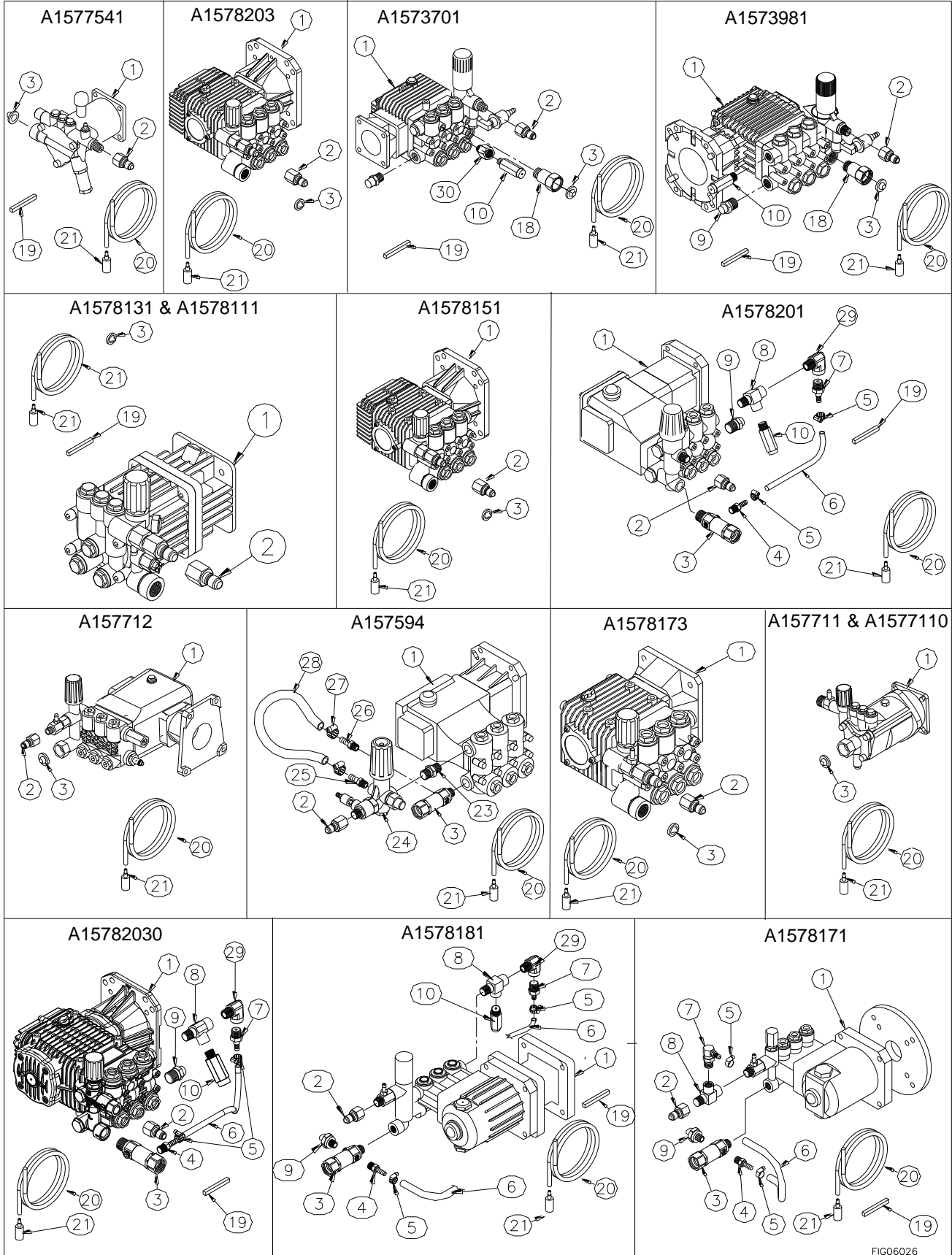
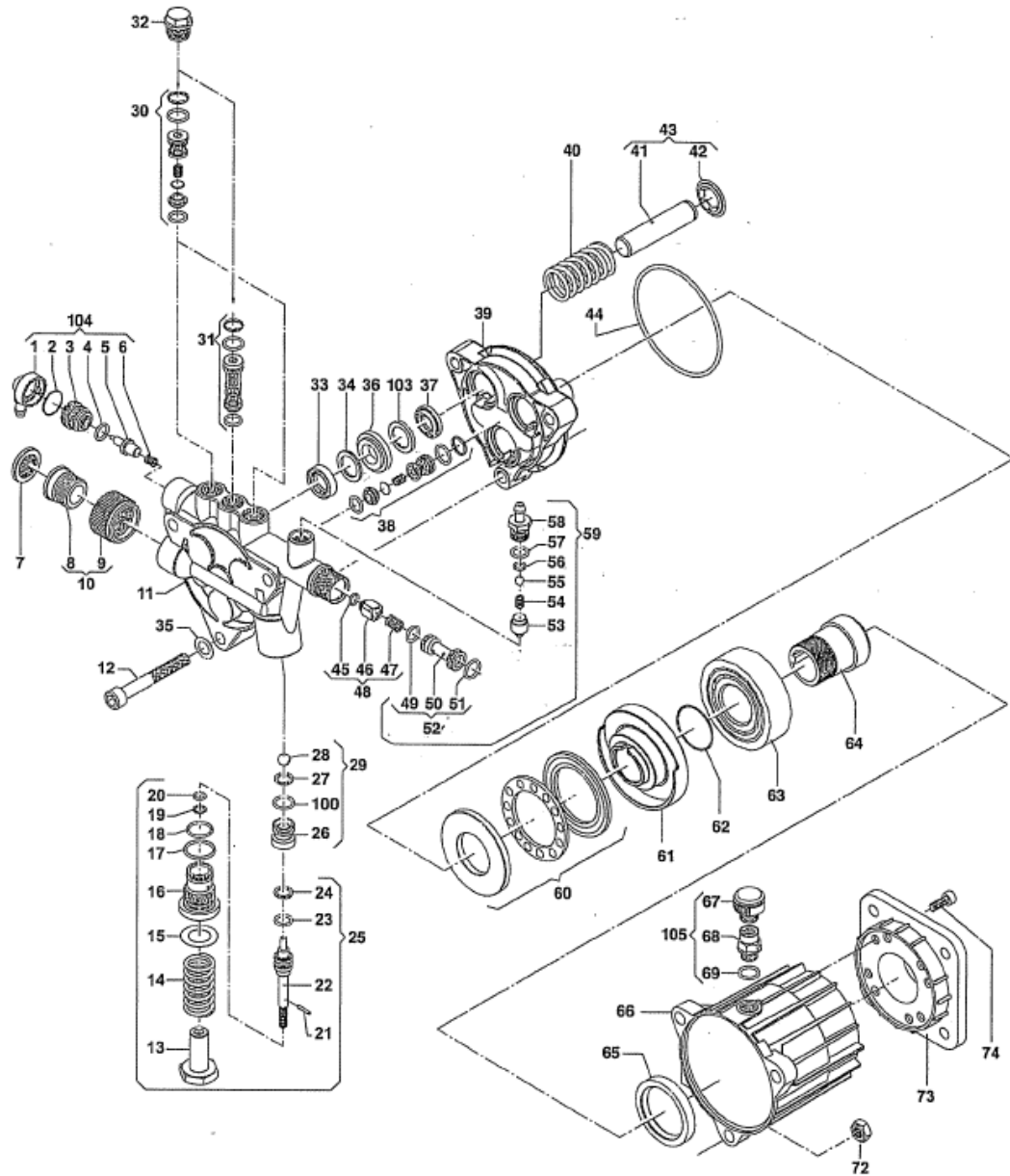


FIG06026

Parts Explosions – Rev T.4 (cont'd)

Item	Part#	Description	Qty	Model
1	A1577541	Comet VRX Pump	1	A1577541
	A1573701	General TP 2530		A1573701
	A1573981	General EZ3040		A1573981
	A1578111	Comet AXD Pump		A1578111
	A1578171	Cat 4DNX Pump		A1578171
	A1578131	Comet AXD Pump		A1578131
	A1578181	Cat 4SPX Pump		A1578181
	A1578151	Comet ZWD Pump		A1578151
	A1578201	Cat 66DX Pump		A1578201
	A1578173	NorthStar NSLW Pump		A1578173
	A1578203	NorthStar NSZW Pump		A1578203
	A157711	3025A Pump		A157711
	A157712	1807A Pump		A157712
	A157594	Cat 66DX Pump		A157594
	A1577110	3025A Easy Start Pump		A1577110
	A15782030	NorthStar NSSHFD Pump		A15782030
2	777915	Quick Connect Outlet Plug	1	1573701, 3981, 8171, 8131, 8181, 8151, 8201, 8173, 8203, 712, 594, 7710, 82030
	221009			A1577541
	777913			A1578111
3	4027	Inlet Filter	1	A1577541, 3701, 3981, 8111, 8131, 8151, 8173, 8203, 711, 712, 7710
	38596			A1578171, 8181
	35169			A1578201, 594, 82030
4	777340	1/4" x 1/4" Hose Barb Fitting	1	A1578171, 181, 8201, 82030
5	777834	1/4" Hose Clamp	2	A1578171, 8181, 8201, 82030
6	777165	1/4" Braided Chem. Hose (Sold by foot)	1.2ft	A1578171, 8181, 8201, 82030
7	38584	Easy Start Valve	1	A1578171, 8181, 8201, 82030
8	777347	3/8" Street Tee	1	A1578171, 8181 8201, 82030
9	35918	Thermal Valve	1	A1578171, 8181
	777836			A1578201, 3701, 3981, 82030
10	777376	Pop Off Valve	1	A1578201
	22393			A1578181, 82030, 3701
	782121			A1573981
18	35813	Manifold Inlet	1	A1573701, 3981
19	82141	3/16" x 1.5" Shaft Key	1	A1578171, 8173, 8111
	82142	3/16" x 2" Shaft Key		A1573701
	82143	1/4" x 1-3/4" Shaft key		A1578181, 8131, 3981, 8151, 8201, 82030
20	777165	1/4" Braided Chem. Hose (Sold by foot)	3ft	All
21	221222	Chemical Strainer	1	All
23	2296	3/8" hex nipple	1	A157594
24	788419	Unloader Valve	1	A157594
25	777839	1/2" Nipple x 3/8" MPT	1	A157594
26	777840	1/2" Barb x 1/4" MPT	1	A157594
27	777119	1/2" Hose Clamp	2	A157594
28	2264	1/2" PVC Hose	1 ft	A157594
29	777410	3/8" Street Elbow	1	A15782030, A1578181
30	777423	1/4" MNPT x 3/8" FNPT	1	A1573701

Comet VRX Pump Exploded View



Ref #	Code	Description	Qty
1	2801 0079	Thermo Valve Cover	1
2	1210 0218	O-Ring	1
3	0424 0402	Thermal Valve Body	1
4	1210 0475	O-Ring	1
5	3230 0031	Sensor	1
6	1802 0217	Spring	1
7	1002 0116	Suction Filter	1
8	2803 0395	Quick Coupler	1
9	1223 0093	Wing Nut	1
10	2800 0096	Straight Hose Tail Kit	3
11	3218 0351	Pump Manifold	1
12	3609 0195	Screw	3

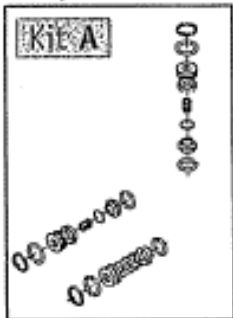
Ref #	Code	Description	Qty
39	2432 0018	Pump Crankcase	1
40	1802 0213	Piston Spring	3
41	2409 0099	Piston	3
42	0009 0267	Ring	3
43	5026 0260	Piston Kit	3
44	1210 0391	O-Ring	1
45	1210 0463	O-Ring	1
46	2409 0102	Check Valve	1
47	1802 0218	Spring	1
48	5026 0262	Check Valve Kit	1
49	1210 0465	O-Ring	1
50	0801 0066	Detergent Injector	1

Comet VRX Pump Exploded View

13	3202 0276	Plug	1
14	1802 0219	Regulation Valve Spring	1
15	2811 0117	Washer	1
16	3605 0104	Special Screw	1
17	1210 0392	O-Ring	1
18	1210 0470	O-Ring	1
19	0009 0272	Ring	1
20	1210 0055	O-Ring	1
21	3021 0034	Elastic Pin	1
22	0015 0187	Valve Rod	1
23	1210 0465	O-Ring	1
24	0009 0112	Backup Ring	1
25	1215 0334	Regulation Valve Kit	1
26	3009 0136	Regulation Valve Seal	1
27	1210 0170	O-Ring	1
28	3003 0032	Ball	1
29	5026 0269	Regulation Valve Seat Kit	1
30	1220 0061	Delivery Valve	2
31	1220 0062	Delivery Valve	1
32	3302 0279	Plug	3
33	1241 0068	Packing	3
34	0009 0274	Anti-Extr. Ring	3
35	2811 0004	Washer	3
36	0009 0270	Packing Retainer	3
37	0019 0111	Oil Seal	3
38	1220 0061	Suction Valve	3

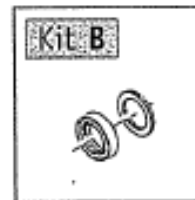
51	1210 0170	O-Ring	1
52	1410 0322	Detergent Injector Kit	1
53	0204 0051	Bushing	1
54	1802 0216	Spring	1
55	3003 0033	Ball	1
56	1210 0466	O-Ring	1
57	1210 0465	O-Ring	1
58	2800 0104	Detergent Straight Hose Tail	1
59	5026 0261	Complete Detergent Kit	1
60	0436 0020	Axial Ball Bearing	1
61	0001 0460	Thru-Eccentric Shaft	1
62	1210 0394	O-Ring	1
63	0438 0081	Ball Bearing	1
64	0031 0012	Pump Crankshaft	1
65	0019 0112	Oil Seal	1
66	0403 0156	Pump Crankcase	1
67	3200 0071	Plug	1
68	2417 0064	Extension	1
69	1210 0492	O-Ring	1
72	0604 0015	Nut	3
73	3016 0042	Support	1
74	3625 0062	Screw	4
100	0009 0225	Anti-Extr. Ring	1
103	3000 0781	Oil Seal Spacer	3
104	5026 0276	Thermo Valve Kit	1
105	3200 0093	Oil Tap Kit	1

Complete Valve Kit (50260270)



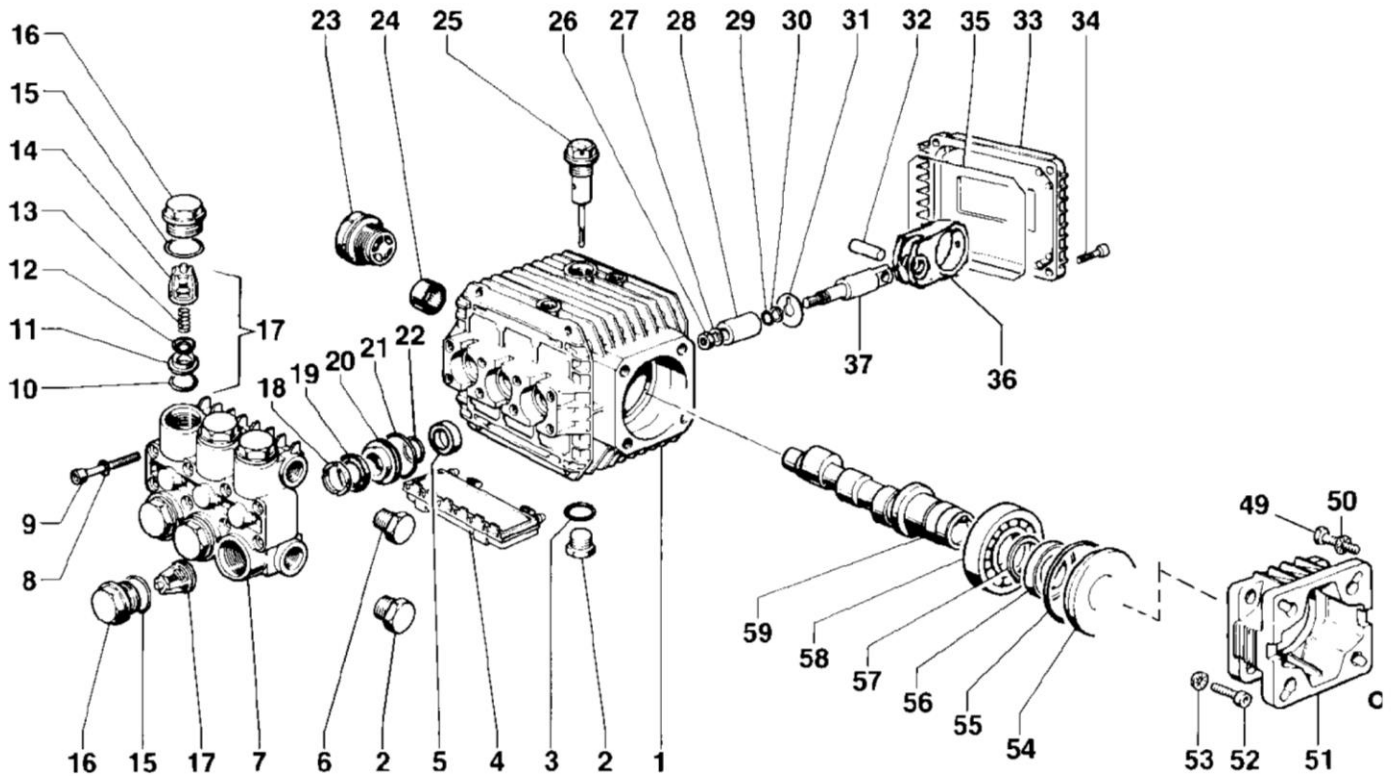
Part #	Code	Qty
30	1220 0061	2
31	1220 0062	1
38	1220 0061	3

Piston Seal Kit (502602556)



Part #	Code	Qty
33	1241 0068	3
34	0009 0274	3

General Pump Triplex 2530 Exploded View



*Unloader not shown

ITEM	PART #	DESCRIPTION	QTY
1	51.0106.22	CRANKCASE	1
2	98.2100.00	PLUG, 3/8	1
3	90.3833.00	O-RING	1
4	51.2091.02	PROTECTOR	1
5	90.1565.00	OIL SEAL	3
6	98.2041.00	PLUG, 1/4	1
7	51.1200.41	MANIFOLD	1
8	96.6938.00	WASHER	8
9	99.1943.00	SCREW	8
10	90.3841.00	O-RING	6
11	36.2003.66	VALVE SEAT	6
12	36.2001.76	VALVE PLATE	6
13	94.7376.00	SPRING	6
14	36.2025.51	VALVE CAGE	6
15	90.3847.00	O-RING	6
16	98.2216.00	VALVE CAP	6
17	36.7115.01	VALVE ASSEMBLY	6
18	51.1000.51	HEAD RING	3
19	90.2620.00	PACKING	3
20	51.0800.70	PACKING RETAINER	3
21	90.3604.00	O-RING	3
22	90.3835.00	O-RING	3
23	97.5968.00	SIGHT GLASS	1
24	20.2128.35	NEEDLE BEARING	1
25	98.2103.00	OIL DIP STICK	1
26	92.2216.00	NUT	3
27	96.7008.00	WASHER	3
28	51.0400.09	PLUNGER, 15mm	3
29	90.3572.00	O-RING	3
30	90.5022.00	BACK UP RING	3
31	96.0707.00	FLINGER WASHER	3
32	97.0310.00	CONNECTING ROD PIN	3
33	51.1600.22	CRANKCASE COVER	1
34	99.1867.00	SCREW	4

ITEM	PART #	DESCRIPTION	QTY
35	90.3917.00	COVER O-RING	1
36	51.0301.22	CONNECTING ROD	3
37	51.0500.56	PLUNGER ROD	3
49	99.2730.00	SCREW, J34 OPTION	4
50	96.7014.00	WASHER, J34 OPTION	4
51	10.0346.22	FLANGE, J34 OPTION	1
52	99.1867.00	SCREW	4
53	96.6938.00	WASHER	4
54	50.2115.51	SPACER	1
55	90.4097.00	O-RING	1
56	90.1644.00	OIL SEAL	1
57	90.0667.00	SNAP RING	1
58	20.2835.21	BEARING	1
59	51.0221.65	CRANKSHAFT	1

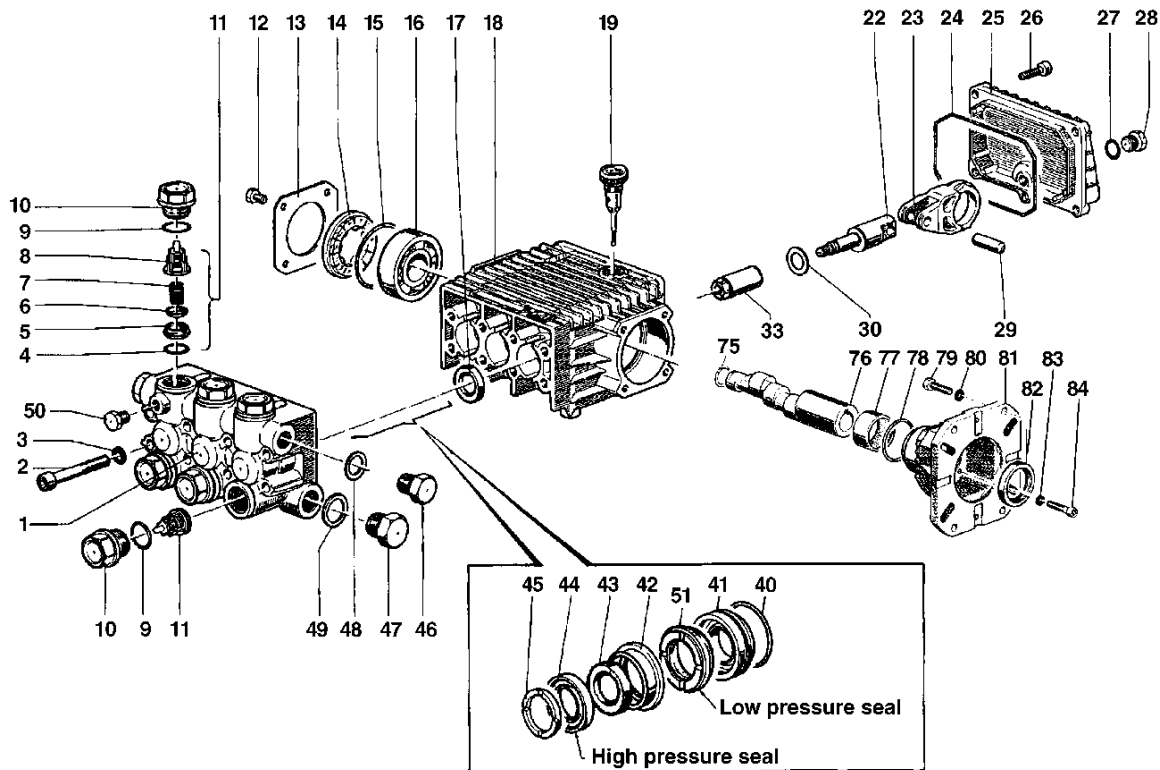
VALVE KIT

123		
ITEM	PART #	QTY
10	90.3841.00	6
11	36.2003.66	6
12	36.2001.76	6
13	94.7376.00	6
14	36.2025.51	6

SEAL KIT

97		
ITEM	PART #	QTY
18	51.1000.51	3
19	90.2620.00	3
21	90.3604.00	3
22	90.3835.00	3

General Pump Triplex EZ3040 Exploded View



*Unloader not shown

ITEM	PART #	DESCRIPTION	QTY
1	44.1200.41	MANIFOLD	1
2	99.3175.00	SCREW	8
3	96.7014.00	WASHER	8
4	90.3841.00	O-RING	6
5	36.2003.66	VALVE SEAT	6
6	36.2001.76	VALVE	6
7	94.7376.00	SPRING	6
8	36.2025.51	VALVE CAGE	6
9	90.3847.00	O-RING	6
10	98.2226.00	CAP SCREW	6
11	36.7115.01	VALVE ASSEMBLY	6
12	99.1807.00	SCREW	4
13	50.1500.74	BEARING COVER	1
14	44.2118.01	SPACER	1
15	90.4097.00	O-RING	1
16	91.8328.00	BALL BEARING	1
17	90.1614.00	OIL SEAL	3
18	44.0100.22	CRANKCASE	1
19	98.2103.00	OIL DIPSTICK	1
22	44.0500.66	PISTON GUIDE	3
23	44.0300.22	CONNECTING ROD	3
24	90.3920.00	O-RING	1
25	44.1600.22	REAR COVER	1
26	99.1837.00	SCREW	5
27	90.3585.00	O-RING	1
28	98.2041.00	CAP SCREW	1
29	97.7340.00	PIN	3
30	96.7350.00	WASHER	3
31	90.5022.00	ANTI-EXT. RING	3
32	90.3572.00	O-RING	3
33	52.0400.09	PISTON	3
34	96.7008.00	WASHER	3

ITEM	PART #	DESCRIPTION	QTY
35	92.2216.00	NUT	3
40	90.3612.00	O-RING	3
41	44.0800.70	PACKING RETAINER	3
42	52.2166.70	INTERMEDIATE RING	3
43	90.2622.00	PACKING	3
44	90.2620.00	PACKING	3
45	51.1000.51	HEAD RING	3
46	98.2100.00	CAP SCREW	1
47	98.2176.00	CAP SCREW	1
48	96.7380.00	WASHER	1
49	96.7514.00	WASHER	1
50	98.1966.00	CAP SCREW	1
51	90.2617.00	SEAL, LOW PRESSURE	3
75	90.0635.00	RETAINING RING	1
76	44.0209.65	CRANKSHAFT	1
77	91.8568.00	ROLLER BEARING	1
78	90.4097.00	O-RING	1
81	10.0518.22	FLANGE FOR GAS ENGINES	1
82	90.1690.00	OIL SEAL	1
83	96.6938.00	WASHER	4
84	99.1912.00	SCREW	4

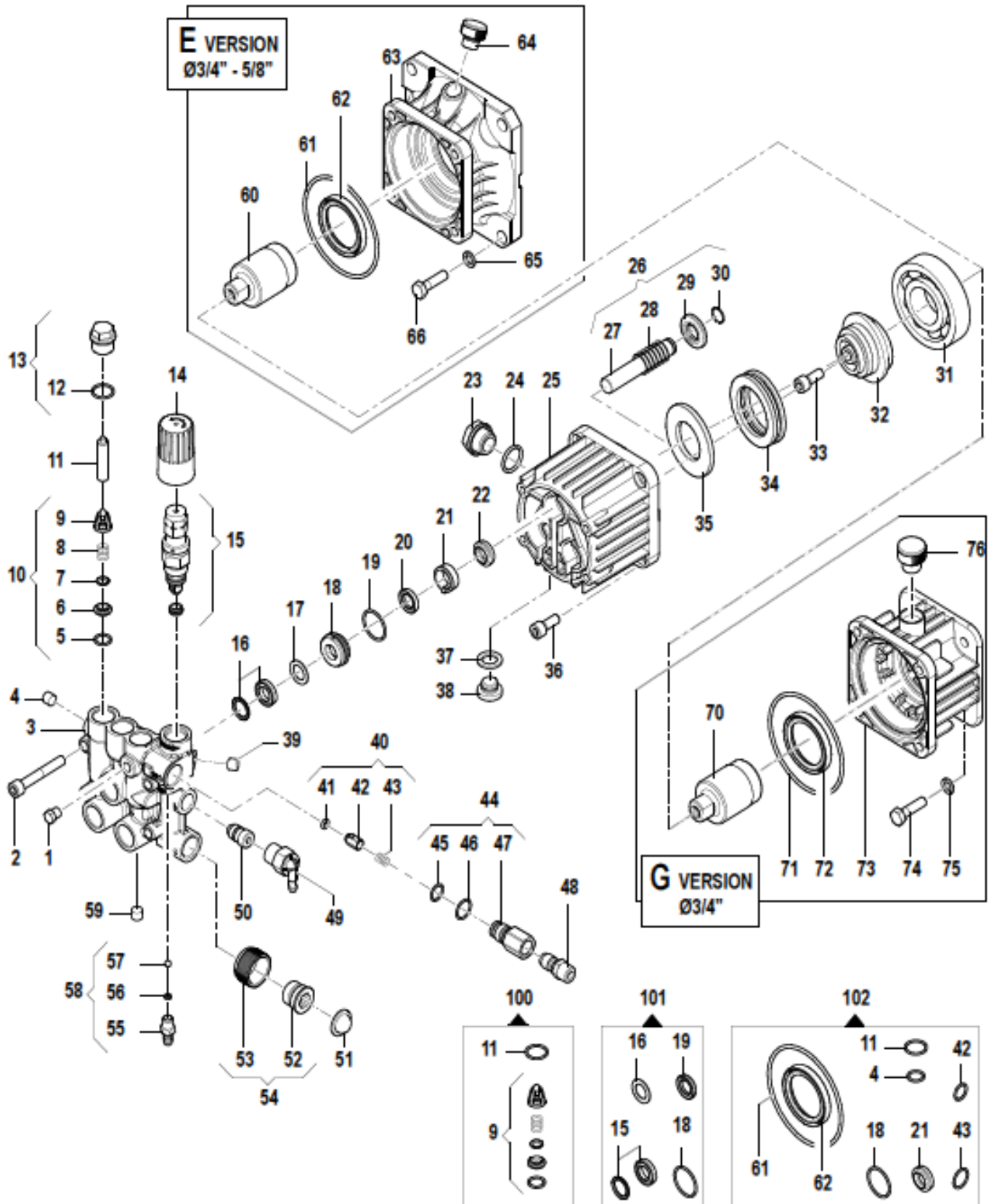
VALVE KIT

123		
ITEM	PART #	QTY
4	90.3841.00	6
5	36.2003.66	6
6	36.2001.76	6
7	94.7376.00	6
8	36.2025.51	6

SEAL KIT

130		
ITEM	PART #	QTY
40	90.3612.00	1
41	44.0800.70	1
42	52.2166.70	1
43	90.2622.00	1
44	90.2620.00	1
45	51.1000.51	1
51	90.2617.00	1

Comet AXD 2530G Pump Exploded View

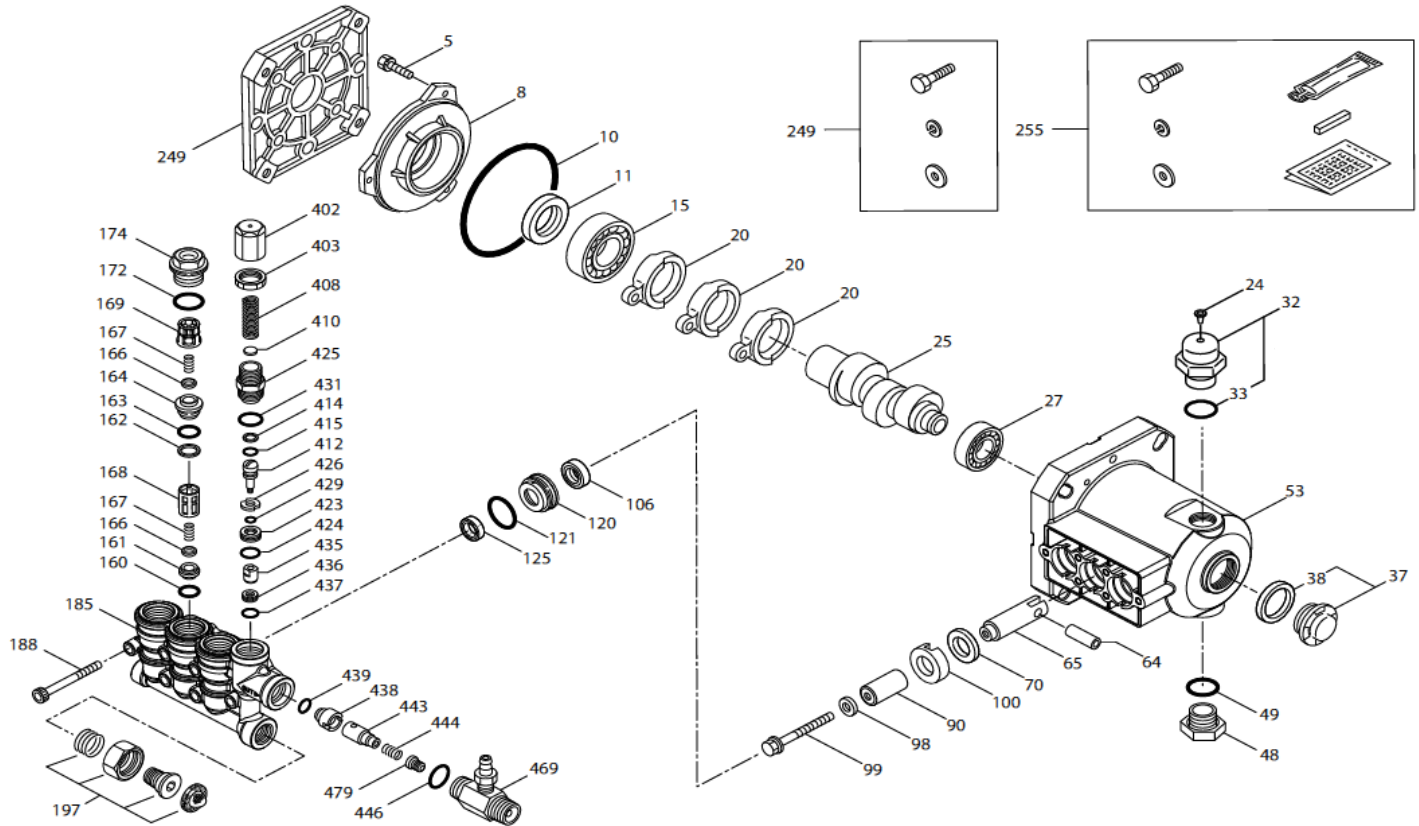


Comet AXD 2530G Pump Exploded View

Ref #	Part #	Description	Qty
1	CO3202001800	CAP	1
2	CO3609001400	SCREW, M8 X 55	4
3	NOT AVAILABLE	MANIFOLD	1
4	CO3202001800	CAP	1
5	CO1210004900	O-RING,OIL PLUG - WOBBLE PUMP	6
6	SEE PART # 10	VALVE SEAT	6
7	CO3604002800	SUCTION/DEL. VALVE	6
8	CO1802019200	SPRING, AXD	6
9	CO1205003300	VALVE CAGE, AXD	6
10	CO1220004500	VALVE - AXD PUMP	6
11	CO0601027300	AXD SPACER	2
12	CO1210015100	O-RING, AXD3020	6
13	CO3202031100	VALVE CAP & O-RING	6
14	CO1817006400	HANDLE	1
15	CO1215058500	REG.VALVE KIT & SEAT	1
16	CO1241005900	PACKING - GXD1617	3
17	CO0009036900	RING	3
18	CO0009021900	RING(RETAINER) - WOBBLE PUMP	3
19	CO1210035600	O-RING,SEAL CONTAINER - WOBBLE	3
20	CO1241005700	BACK PACKING	3
21	CO0601030800	OIL SEAL SPACER	3
22	CO0019005800	SEALING RING(OIL) - WOBBLE PLA	3
23	CO3201002700	OIL SIGHT GLASS	1
24	CO1210004800	O-RING, 2.62 X 20.24MM	1
25	NOT AVAILABLE	PUMP CRANKCASE	1
26	CO2409015600	PISTON KIT	3
27	CO2409008900	PISTON - AXD3020G	3
28	CO1802015300	SPRING, AXD	3
29	CO0009022100	RING FOR AXD	3
30	CO0009022000	14MM RING FOR AXD	3
31	CO0438007600	BALL BEARING - AXD	1
32	CO0001041700	ECCENTRIC SHAFT - AXD	1
33	CO3609000500	SCREW, M8 X 20 - AXD	1
34	CO0436001700	BEARING	1
35	CO2816008800	THRUST BEARING	1
36	CO3609002800	SCREW M8 X 22	4
37	CO1209011700	GASKET - BXD2527	1
38	CO3200009600	PLUG 1/4"	1

Ref #	Part #	Description	Qty
39	CO3200001700	PORT PLUG, AXD COMET PUMP	1
40	CO2409009100	PISTON CHECK VALVE KIT,AXD UNL	1
41	CO1210046000	O-RING	1
42	CO2409008600	CHECK VALVE	1
43	CO1802019700	SPRING	1
44	CO3410034800	INJECTOR BODY KIT	1
45	CO1210004900	O-RING,OIL PLUG - WOBBLE PUMP	1
46	CO1210004000	O-RING, AXD	1
47	CO3410032900	INJECTOR BODY	1
48	CO2803043700	OUTLET FITTING, QUICK CONN.-WO	1
49	CO1215035400	THERMOVALVE	1
50	CO0608003000	KIT EASY START	1
51	CO8102045000	FILTER WASHER	1
52	CO1223010800	GARDEN HOSE NUT	1
53	SEE PART # 54	SPECIAL COUPLING - NLA	1
54	CO2800051100	GARDEN HOSE TAIL W/WING NUT	1
55	SEE PART # 58	CHEM. COUPLING	1
56	CO3003002400	BALL FOR CHEMICAL INJECTOR	1
57	CO1802018000	SPRING FOR CHEMICAL INJECTOR	1
58	CO2803043500	CHEMICAL INJECTOR KIT	1
59	CO3200001700	PORT PLUG, AXD COMET PUMP	1
70	CO0001039500	DRIVESHAFT	1
71	CO1210042900	O-RING FOR AXD	1
72	CO0019003400	SEALING RING - AXD PUMP	1
73	NOT AVAILABLE	SUPPORT	1
74	CO3607016800	HEXAGONAL SCREW	4
75	CO2811000200	WASHER	4
76	CO3200007100	OIL PLUG	1
100	CO5025001400	VALVE KIT - AXD3020G	1
101	CO5019007700	SEAL KIT - AXD3020G	1
102	CO5019007900	SEAL KIT, AXD	1

Cat 4DNX Pump Exploded View



Ref#	P/N	DESCRIPTION	QTY
5	Not Available	Screw	3
8	CA547153	Bearing Cover	1
10	CA14041	O-Ring, Bearing Cover	1
11	CA55337	Oil Seal	1
15	CA14488	Inner Ball Bearing	1
20	CA547048	Connecting Rod	3
24	Not Available	Oil Plug Cap	1
25	CA549446	Crankshaft	1
27	CA56084	Ball Bearing	1
32	CA547961	Cap	1
33	CA14179	O-ring for Oil Filter Cap	1
37	CA92241	Gauge, Bubble Oil w/Gasket	1
38	CA44428	Gasket, Flat Flex Oil Gauge	1
48	CA44842	Drain Plug	1
49	CA14179	O-Ring for Drain Plug	1
53	Not Available	Crankcase	1
64	CA46229	Crosshead Pin	3
65	CA542402	Plunger Rod	3
70	CA47215	Oil Seal	3
90	CA547091	Plunger	3
98	CA46730	Washer	3
99	CA542405	Retainer, Plunger	3
100	CA46233	Retainer, Seal	3

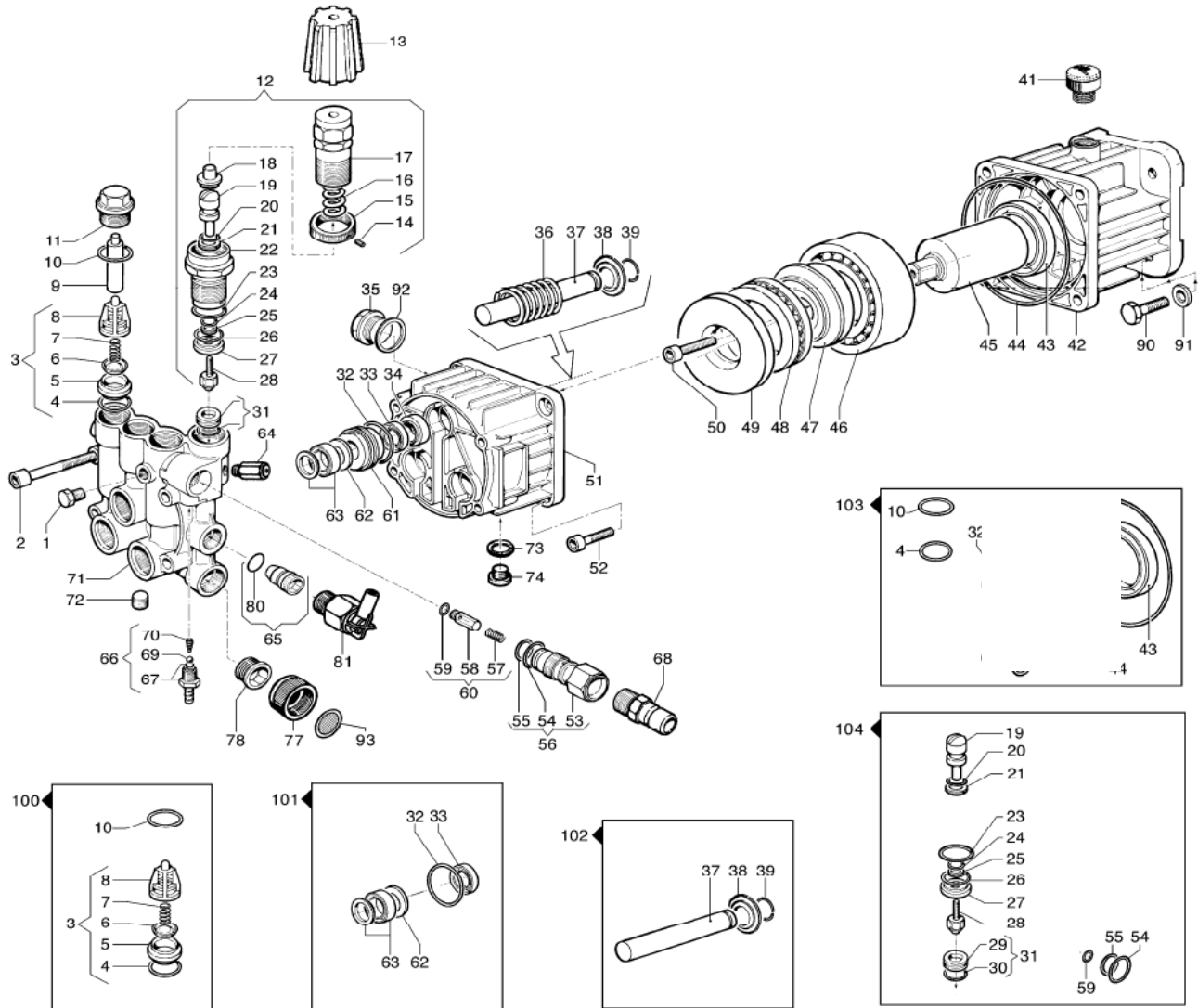
One Kit will Complete One Pump

Ref#	P/N	DESCRIPTION	QTY
106	Kit #1	Seal	3
120	Not Available	Seal Case	3
121	CA13976	O-Ring for Seal Case	3
125	Kit #1	Seal	3
160	CA17428	O-Ring, Inlet	3
161	CA547077	Seat, Inlet	3
162	CA48361	Back-up Ring	3
163	CA43358	O-Ring	3
164	CA547076	Seat, Discharge	3
166	CA547098	Valve	6
167	CA46865	Spring	6
168	CA543988	Retainer, Spring, Inlet	3
169	Kit #2	Retainer, Spring, Discharge	3
172	CA142807	O-Ring for Plug	3
174	CA547104	Plug, Valve w/o-ring	3
185	Not Available	Head, Manifold w/Unloader Body	1
188	Not Available	Screw	6
197	CA941516	Inlet Fitting Assembly	1
249	CA30520	Adapter Mount Assembly	1
255	CA30516	Bolt Mount Assembly	1
469	CA7332	Chemical Fixed Injector	1

KITS

Kit#1	CA76975	Seal Kit: Incls: 98, 106, 121, 125	1
Kit#2	CA76976	Valve Kit: Incls: 160, 161, 162, 163, 164, 166, 167, 168, 169, 172	1

Comet AXD Pump Exploded View



Ref #	Part #	Description	Qty
1	CO3202001800	Cap	1
2	CO3609001400	Screw	4
3	CO1220004500	Suct./Del. Valve Ass.y kit	6
4	CO1210004900	O-Ring	6
5	CO3009012900	Valve Seat	6
6	CO3604002800	Suct./Del. Valve	6
7	CO1802019200	Suct./Del. Valve Spring	6
8	CO1205003300	Suct./Del. Valve Cage	6
9	CO0601027300	Spacer	2
10	CO1210015100	O-Ring	6
11	CO3202023600	Plug	6
12	CO1215058600	Regulation Valve Ass.y	1
13	CO1817006400	Knob	1
14	CO3622003000	Stop Adjustable Nut	1

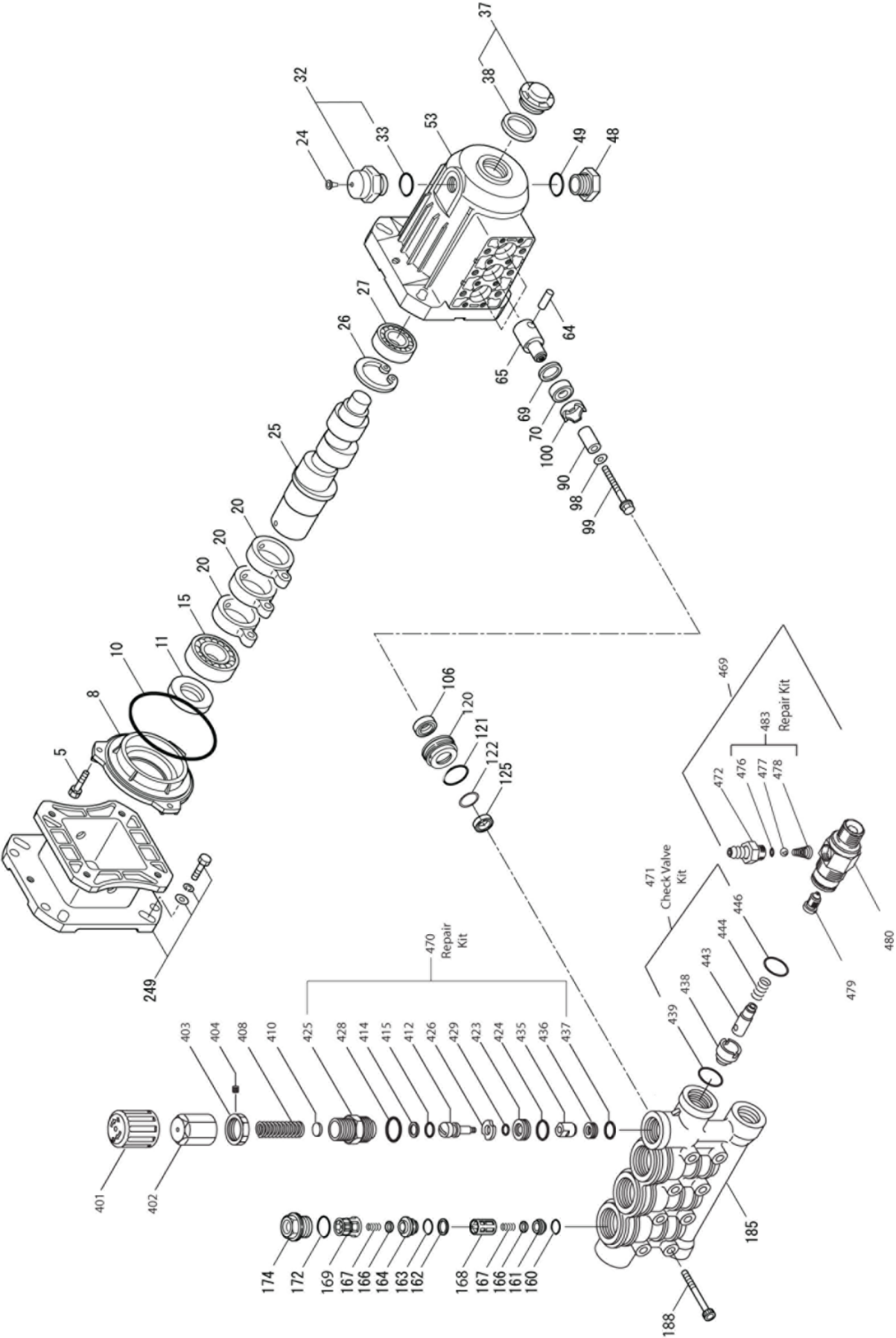
Ref #	Part #	Description	Qty
46	CO0438008000	Ball Bearing	1
47	CO0001045300	Eccentric Shaft	1
48	CO0436001900	Axial Bearing	1
49	CO2816002600	Thrust Bearing	1
50	CO3609000500	Screw	1
51	N/A	Pump Crankcase	1
52	CO3609000500	Screw	4
53	CO3410032900	Injector Body	1
54	CO1210004000	O-Ring	1
55	CO1210004900	O-ring	1
56	CO3410034800	Injector Body Kit	1
57	CO1802019700	Spring	1
58	CO2409008600	Check Valve	1
59	CO1210046000	O-Ring	1

Comet AXD Pump Exploded View

15	CO1227002200	Ring Nut	1
16	CO1802018200	Spring (Wire Ø3,25)	1
17	CO0204004600	Bushing	1
18	CO0009020700	Spring Spacer	1
19	CO2409008800	Piston Rod	1
20	N/A	O-Ring	1
21	CO0009020500	Spring Spacer	1
22	N/A	Bushing	1
23	CO1210040700	O-Ring	1
24	CO1210040500	O-Ring	1
25	CO0009020500	Ring	1
26	CO1210040400	O-Ring	1
27	N/A	Ring	1
28	CO2409008800 CO3002065400	Unloader Ball	1
31	CO3009001300	Valve Seat Kit	1
32	CO1210035600	O-Ring	3
33	CO1241005700	Packing	3
34	CO0019005800	Oil Seal	3
35	CO3201002700 CO1210004800	Oil Indicator	1
36	CO1802015300	Spring	3
37	CO2409008900	Piston	3
38	N/A	Ring	3
39	CO0009022000	Ring	3
41	CO3200007100	Plug	1
42	CO3002054700	Support	1
43	CO0019003400	Oil Seal	1
44	CO1210042900	O-Ring	1
45	CO0001044600	Hollow Shaft	1

60	CO2409009100	Check Valve Kit	1
61	CO0009026100	Ring	3
62	CO0009026200	Ring	3
63	CO1241005900	Packing	3
64	CO1215031100	Safety Valve	1
65	CO0608003000	Easy Start Device	1
66	CO2803043500	Chem. Coupling Kit	1
67	N/A	Chem. Coupling	1
68	CO8102032300	Quick Coupler	1
69	CO3003002400	Detergent Ball	1
70	CO1802018000	Detergent Spring	1
71	N/A	Manifold	1
72	CO3200001700	Plug	1
73	CO1209011700	Gasket	1
74	CO3200009600	Plug - Cap	1
77	See # 78	Wing Nut	1
78	CO2800051100	Garden Hose Tail w/Wing Nut	1
80	CO1210004100	O-Ring	1
81	CO1215035400	Thermal Valve	1
90	N/A	Screw	4
91	CO2811000400	Washer	4
92	CO1210004800	O-Ring	1
93	CO8102045000	Filter	1
100	CO5025001400	Complete Valve Kit	1
101	CO5019008600	Piston Seal Kit	1
102	CO2409010300	Ø 14mm Piston Kit	1
103	CO5019007900	Pump Seal Kit	1
104	N/A	Valve Maintenance Kit	1

Cat 4SPX Pump Exploded View

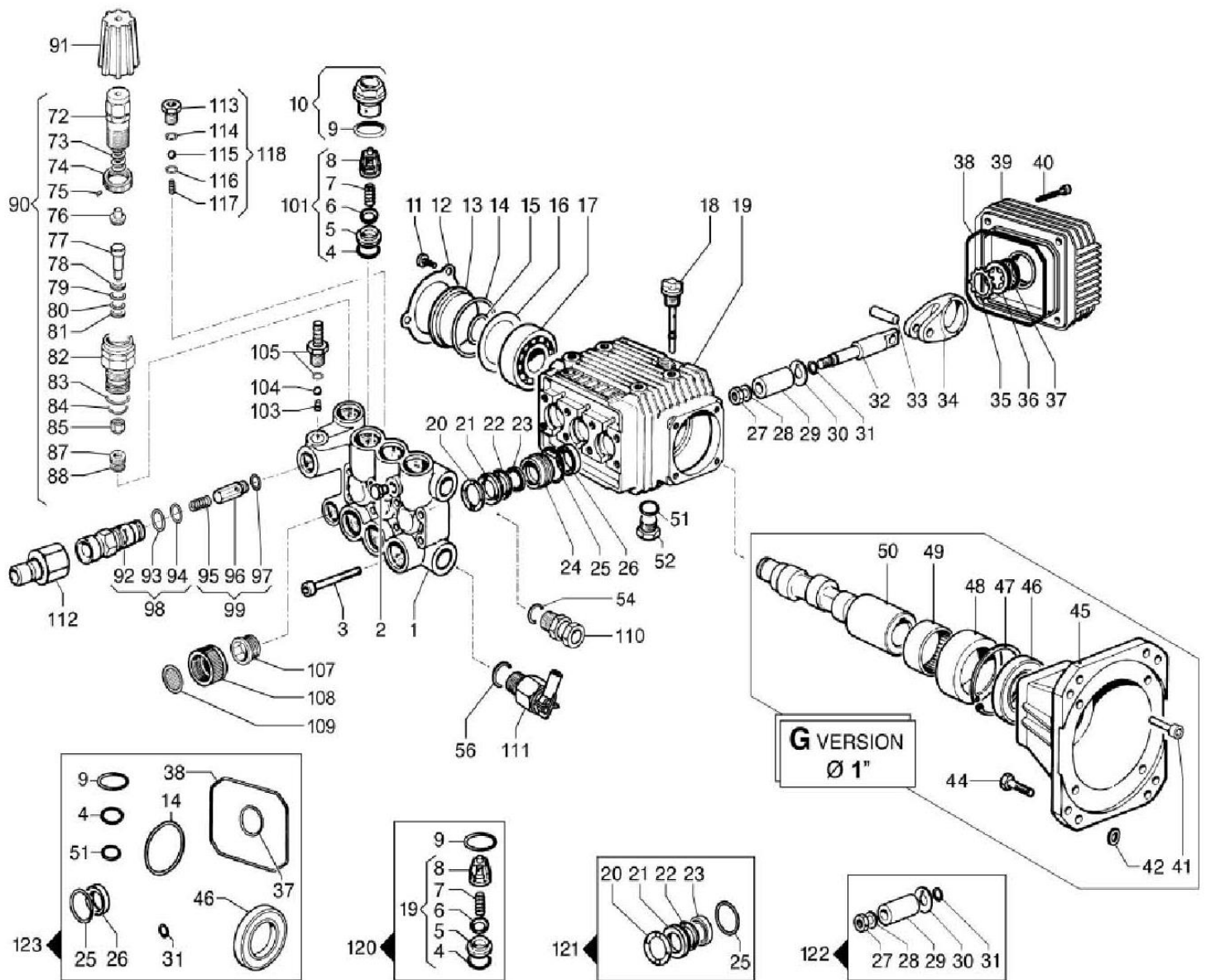


Cat 4SPX Pump Exploded View

Ref#	P/N	DESCRIPTION	QTY
5	Not Available	Screw	3
8	CA547084	Bearing Cover	1
10	CA14041	O-Ring, Bearing Cover	1
11	CA125351	Oil Seal	1
15	Not Available	Inner Ball Bearing	1
20	CA547020	Connecting Rod	3
24	Not Available	Oil Plug Cap	1
25	Not Available	Crankshaft	1
26	Not Available	Ring, Retaining	1
27	CA15710	Ball Bearing	1
32	CA547961	Cap	1
33	CA14179	O-ring, 70D (for Oil Filter Cap)	1
37	CA92241	Gauge, Bubble Oil w/Gasket	1
38	CA44428	Gasket, Flat Flex Oil Gauge	1
48	CA44842	Drain Plug	1
49	CA14179	O-Ring, 70D (for Drain Plug)	1
53	Not Available	Crankcase	1
64	CA16948	Crosshead Pin	3
65	CA548872	Plunger Rod	3
69	CA126259		
70	CA25301	Oil Seal	3
90	CA547091	Plunger	3
98	CA46730	Washer	3
99	CA542405	Retainer, Plunger	3
100	CA44869	Retainer, Seal	3
106	CA45188	Seal	3
120	CA49942	Seal Case	3
121	CA13977	O-Ring for Seal Case	3
122	CA49943	Ring, Support	3
125	CA49824	Seal	3
160	CA17428	O-Ring, Inlet	3
161	CA547077	Seat, Inlet	3
162	CA48361	Back-up Ring	3
163	CA43358	O-Ring	3
164	CA547076	Seat, Discharge	3
166	CA547098	Valve	6
167	CA46865	Spring	6
168	CA543988	Retainer, Spring, Inlet	3
169	CA49764	Retainer, Spring, Discharge	3
172	CA142807	O-Ring for Plug	3
174	CA547104	Plug, Valve w/o-ring	3
185	Not Available	Head, Manifold w/Unloader Body	1

Ref#	P/N	DESCRIPTION	QTY
188	Not Available	Screw	6
249	CA31643	Adapter Mount Assembly	1
401	CA547797	Handle, Adjusting	1
402	CA547798	Adjusting Cap	1
403	CA548671	Lock Nut	1
404	CA548675	Screw, Set	1
408	CA32094	Pressure Spring	1
410	CA549352	Spring Retainer	1
412	CA45694	Piston Stem	1
414	CA20184	Back Up Ring	1
415	CA14190	O-Ring, Piston Stem	1
423	CA46249	Retainer Valve	1
424	CA13966	O-Ring, Valve Retainer (Outer)	1
425	CA547799	Piston Retainer	1
426	CA46250	Washer	1
428	CA26133	O-Ring, 80D (for Piston Retainer)	1
429	CA17399	O-Ring, Valve Retainer (Inner)	1
435	CA547800	Valve	1
436	CA49664	Seat	1
437	CA13963	O-Ring, 70D (for Seat)	1
438	CA46254	Seat, Check Valve	1
439	CA13963	O-Ring, 70D (for Check Valve Seat)	1
443	CA547826	Valve, Check	1
444	CA45924	Spring	1
446	CA26133	O-Ring, 70D (for Body)	1
469	CA7332	Chemical Fixed Injector	1
470	CA76179	Unloader Repair Kit Incls: 412, 414, 415, 423, 424, 425, 426, 429, 431, 435, 436, 437	1
471	CA76146	Check Valve Kit Incls: 438, 439, 443, 444, 446	1
472	Not Available	Barb	1
476	See # 483	O-ring, Barb	1
477	See # 483	Ball	1
478	See # 483	Spring	1
479	Not Available	Orifice	1
480	Not Available	Body	1
483	CA76176	Kit, Repair Incls: 476, 477, 478	1
Kit #1	CA76977	Seal Kit Incls: 98, 106, 121, 125	1
Kit #2	CA76976	Valve Kit Incls: 160, 161, 162, 163, 164, 166, 167, 168, 169, 172	1
Kit #3	CA31767	O-Ring Kit Incls: 414, 415, 424, 429, 437, 439, 446)	1

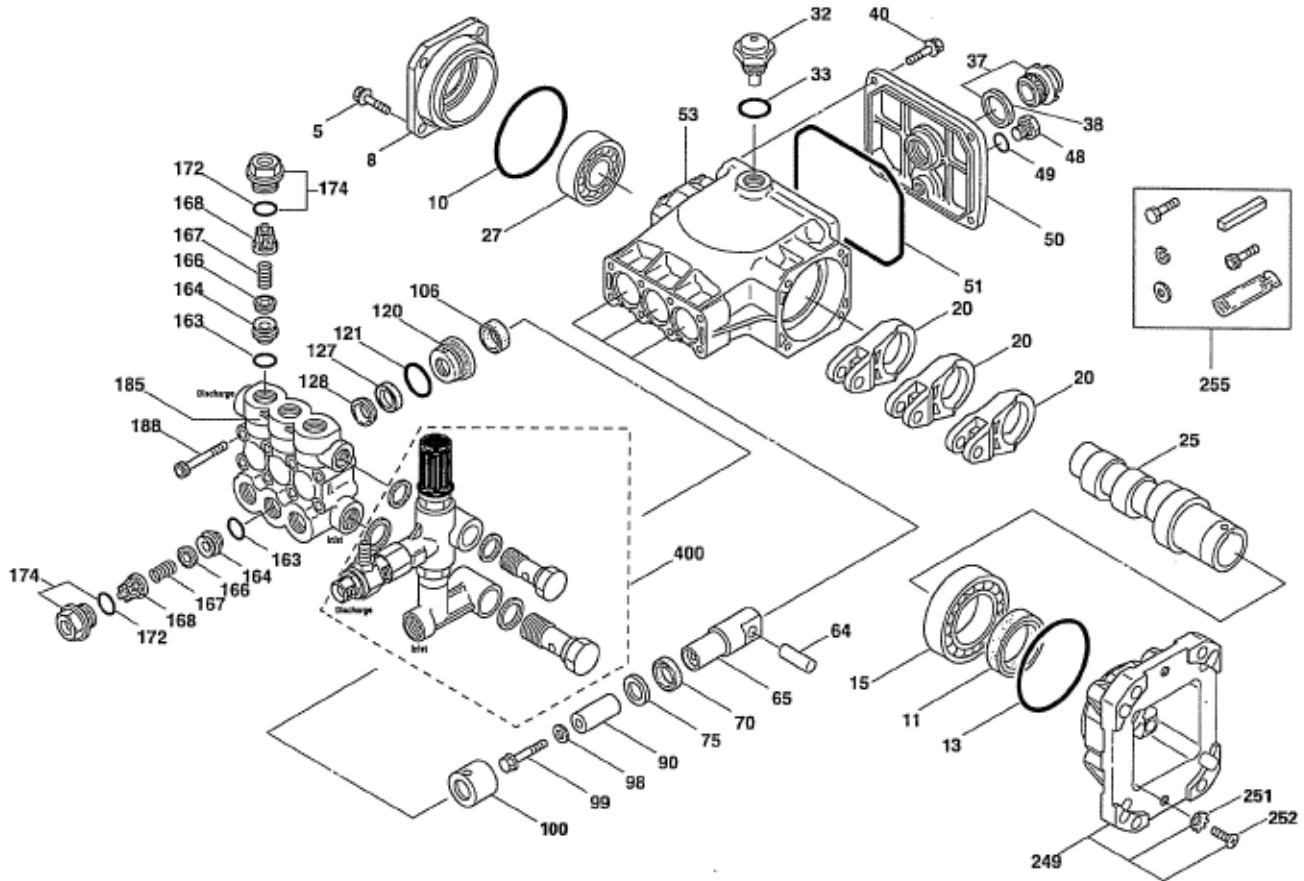
Comet ZWD Pump Exploded View



Comet ZWD Pump Exploded View

	Code	Description	Qty	Part #	Code	Description	Qty
1	3218 0424	Brass Pump Manifold Kit	1	52	3200 0007	Cap	1
2	3202 0018	Plug	1	54	2811 0084	Washer	1
3	3609 0014	Screw	8	56	2811 0086	Washer	1
4	1210 0046	O-Ring	6	72	0204 0072	Bushing	1
5	3009 0087	Suct. /Del. Valve Seat	6	73	1802 0279	Spring	1
6	3604 0017	Suct. /Del. Valve	6	74	1227 0051	Ring Nut	1
7	1802 0177	Spring	6	75	3622 0049	Stop Adjustable Nut	1
8	1205 0025	Suct. /Del. Valve Cage	6	76	0009 0367	Spring Spacer	1
9	1210 0048	O-Ring	6	77	2409 0148	Rod	1
10	3202 0315	Plug + O-Ring	6	78	0009 0365	Ring	1
11	3609 0088	Screw	3	79	1210 0613	O-Ring	1
12	1004 0012	Crankcase Flange	1	80	1210 0614	O-Ring	1
13	0402 0329	Aluminum Cover	1	81	0009 0366	Ring	1
14	1210 0386	O-Ring	1	82	0204 0071	Bushing	1
15	3019 0011	Outer Seeger	1	83	1210 0615	O-Ring	1
16	0009 0275	Spacer	1	84	1210 0616	O-Ring	1
17	0438 0069	Ball Bearing	1	85	3002 0673	Support/Ball	1
18	3200 0051	Oil Dipstick	1	87	3009 0164	Valve Seat	1
19	0403 0199	Pump Crankcase	1	88	1210 0603	O-Ring	1
20	0009 0196	Packing Head Ring	3	90	1215 0404	Reg. Valve Kit + Seat	1
21	1241 0065	Packing	3	91	1817 0053	Pressure knob	1
22	0009 0223	Back Ring	3	92	3410 0297	Injector Body	1
23	1241 0030	Packing	3	93	1210 0398	O-Ring	1
24	0009 0222	Packing Retainer	3	94	1210 0402	O-Ring	1
25	1210 0223	O-Ring	3	95	1802 0197	Spring	1
26	0019 0095	Oil Seal	3	96	2409 0122	Check Valve	1
27	0600 0048	Special Bolt	3	97	1210 0460	O-Ring	1
28	2811 0080	Washer	3	98	3410 0296	Injector Body Kit	1
29	0202 0020	Ceramic Bushing	3	99	2409 0123	Check Valve Kit	1
30	2812 0038	Washer	3	101	1220 0030	Suct. /Del. Valve Assy kit	6
31	1210 0055	O-Ring	3	103	1802 0180	Detergent Spring	1
32	2409 0044	Piston Guides	3	104	3003 0026	Detergent Ball	1
33	3011 0014	Gudgeon Pin	3	105	2803 0552	Detergent Coupling	1
34	0205 0050	Con. Rod Assembly	3	107	2803 0395	Special Coupling	1
35	3019 0033	Outer Seeger	1	108	1223 0108	Wing Nut	1
36	3201 0026	Oil Indicator	1	109	1002 0158	Water Filter	1
37	1210 0333	O-Ring	1	110	1215 0381	Safety Valve	1
38	1210 0621	O-Ring	1	111	1215 0329	Thermal Valve	1
39	0402 0391	Cover	1	112	2803 3380	Quick Outlet Coupler	1
40	3609 0180	Screw	4	113	3202 0319	Easy Start Cap	1
41	3609 0032	Screw	4	114	1210 0463	O-Ring	1
42	2811 0098	Washer	4	115	3003 0033	Easy Start Ball	1
44	3607 0168	Hexagonal Screw	4	116	1210 0463	O-Ring	1
45	3016 0023	Flange	1	117	1802 0277	Easy Start Spring	1
46	0019 0102	Oil Seal	1	118	5033 0010	Easy Start Kit	1
47	3020 0012	Inner Seeger	1	120	5025 0011	Valve Kit	1
48	0204 0038	Bushing	1	121	5019 0064	Water Seal Kit	1
49	0437 0045	Bearing	1	122	2409 0071	Piston Kit	1
50	0001 0415	Eccentric Shaft	1	123	5019 0065	Oil Seal Kit	1
51	1210 0441	O-Ring	1				

Cat 66DX Pump Exploded View



PARTS LIST

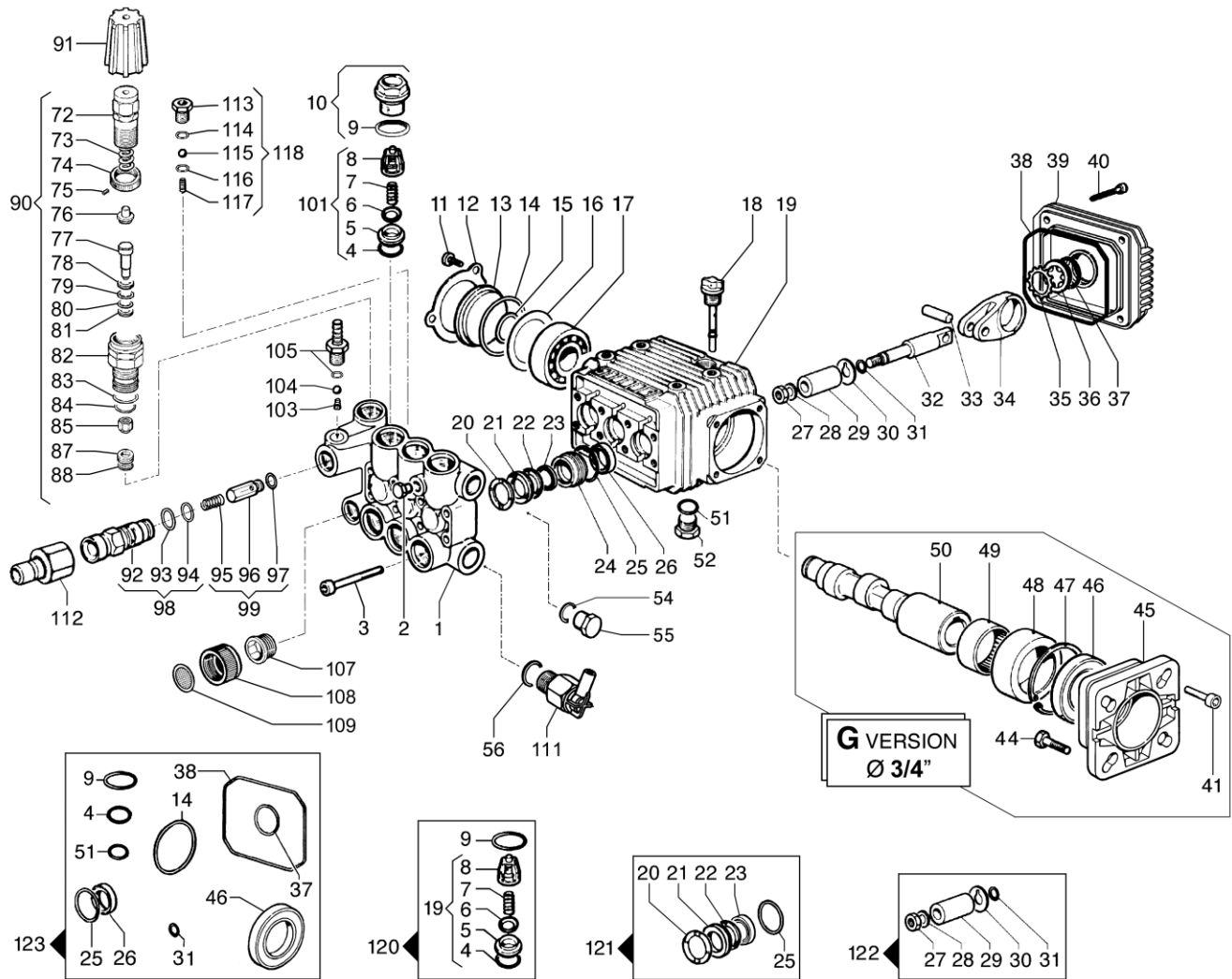
ITEM	P/N	MATL	DESCRIPTION	QTY	ITEM	P/N	MATL	DESCRIPTION	QTY
5	92519	STZP	Screw, HHC (M6x16)	4	106	45188	NBR	Seal, LPS w/S-Spg	3
	125824	STCP R	Screw, HHC (M6x16)	4	120	48759	BB	Case, Seal	3
8	48259	AL	Cover, Bearing	1	121	13980	NBR	O-Ring, Seal Case - 70D	3
10	14028	NBR	O-Ring, Bearing Cover - 70D	1	127	48758	SNG	V-Packing	3
11	125351	NBR	Seal, Oil, Crankshaft - 70D	1		49201	STG	V-Packing	3
13	14037	NBR	O-Ring, Bearing Cover - 70D	1	128	48757	NY	Adapter, Male	3
15	146421	STL	Bearing, Ball - Inner	1	163	17547	NBR	O-Ring, Seat - 85D	6
20	48843	TNM	Rod, Connecting	3	164	45790	S	Seat	6
25	48970	CM	Crankshaft (8.6 mm) 30G11	1	166	46429	S	Valve	6
	48977	CM	Crankshaft (10.0 mm) 35G11	1	167	43750	S	Spring	6
	48839	CM	Crankshaft (11.4 mm) 40G11	1	168	46583	NY	Retainer, Spring	6
27	14480	STL	Bearing, Ball - Outer	1	172	17616	NBR	O-Ring, Valve Plug - 80D	6
32	46798	—	Cap, Domed, Oil Filler	1	174	48760	BB	Plug, Valve w/O-Ring	6
33	14179	NBR	O-Ring, Filler Cap - 70D	1	185	48846	BB	Head, Manifold	1
37	92241	—	Gauge, Oil Bubble w/Gasket	1	188	87870	STZP	Screw, HSH (M8x65)	8
38	44428	NBR	Gasket, Flat, Oil Gauge - 80D	1		126512	STCP R	Screw, HSH (M8x65)	8
40	92519	STZP	Screw, HHC (M6x16)	4	249	48841	AL	Flange Mount	1
	125824	STCP R	Screw, HHC (M6x16)	4	251	46123	STZP	Lockwasher, Conical (M8)	4
48	25625	STCP	Plug, Drain (1/4"x19BSP)	1		126746	STCP R	Lockwasher, Conical (M8)	4
49	23170	NBR	O-Ring, Drain Plug - 70D	1	252	46403	STZP	Screw, FH (M8x25)	4
50	48862	AL	Cover, Rear	1	255	30510	STZP	Assy, Bolt Mount	1
51	14048	NBR	O-Ring, Rear Cover - 70D	1		34100	STZP	Screw (3/8-16x1-3/8")	4
53	48830	AL	Crankcase	1		30921	STZP	Lockwasher (3/8")	4
64	46404	CM	Pin, Crosshead	3		30980	STZP	Washer, Flat (3/8")	4
65	48845	BB	Rod, Plunger	3		6106	—	Antiseize Lubricant	1
70	48911	NBR	Seal, Oil, Crankcase	3		45217	STL	Key (1/4"x1/4"x2-1/2") HD	1
75	48754	NBR	Slinger, Barrier - 70D	3		87788	STZP	Screw, Set (M5x8)	1
90	48752	CC	Plunger (M14x47)	3		126761	STCP R	Screw, Set (M5x8)	1
98	46730	NBR	Washer Seal, Plunger Retainer - 90D	3	300	34262	NBR	Kit, Seal (Incls: 98,106,121,127,128)	1
99	† 48201	SSL	Retainer, Plunger	3	310	34260	NBR	Kit, Valve (Incls: 163,164,166,167,168,172)	2
100	48755	NY	Retainer, Seal	3	400	7800	BB	Unloader Assembly w/Fixed Injector	1

Italics are optional items. R Components comply with RoHS Directive. † Production parts are different than replacement parts.

See Tech Bulletins 024, 060, 074 and 083 for additional information.

MATERIAL CODES (Not Part of Part Number): AL=Aluminum BB=Brass CC=Ceramic CM=Chrome-moly NBR=Medium Nitrile (Buna-N) NY=Nylon S=304SS SNG=Special Blend (Buna) SSL=316SS/Low Carbon STCP=Steel/Chrome Plated STL=Steel STZP=Steel/Zinc Plated TNM=Special High Strength

NorthStar NSLW Pump Exploded View



Part #	Code	Description	Qty
1	3218 0424	Brass Pump Manifold Kit	1
2	3202 0018	Plug	1
3	3609 0014	Screw	8
4	1210 0046	O-Ring	6
5	3009 0087	Suct. /Del. Valve Seat	6
6	3604 0017	Suct. /Del. Valve	6
7	1802 0177	Spring	6
8	1205 0025	Suct./Del. Valve Cage	6
9	1210 0048	O-Ring	6
10	3202 0315	Plug + O-Ring	6
11	3609 0088	Screw	3
12	1004 0012	Crankcase Flange	1
13	0402 0329	Aluminum Cover	1
14	1210 0386	O-Ring	1
15	3019 0011	Outer Seeger	1
16	0009 0275	Spacer	1
17	0438 0069	Ball Bearing	1
18	3200 0051	Oil Dipstick	1
19	0403 0199	Pump Crankcase	1
20	0009 0196	Packing Head Ring	3

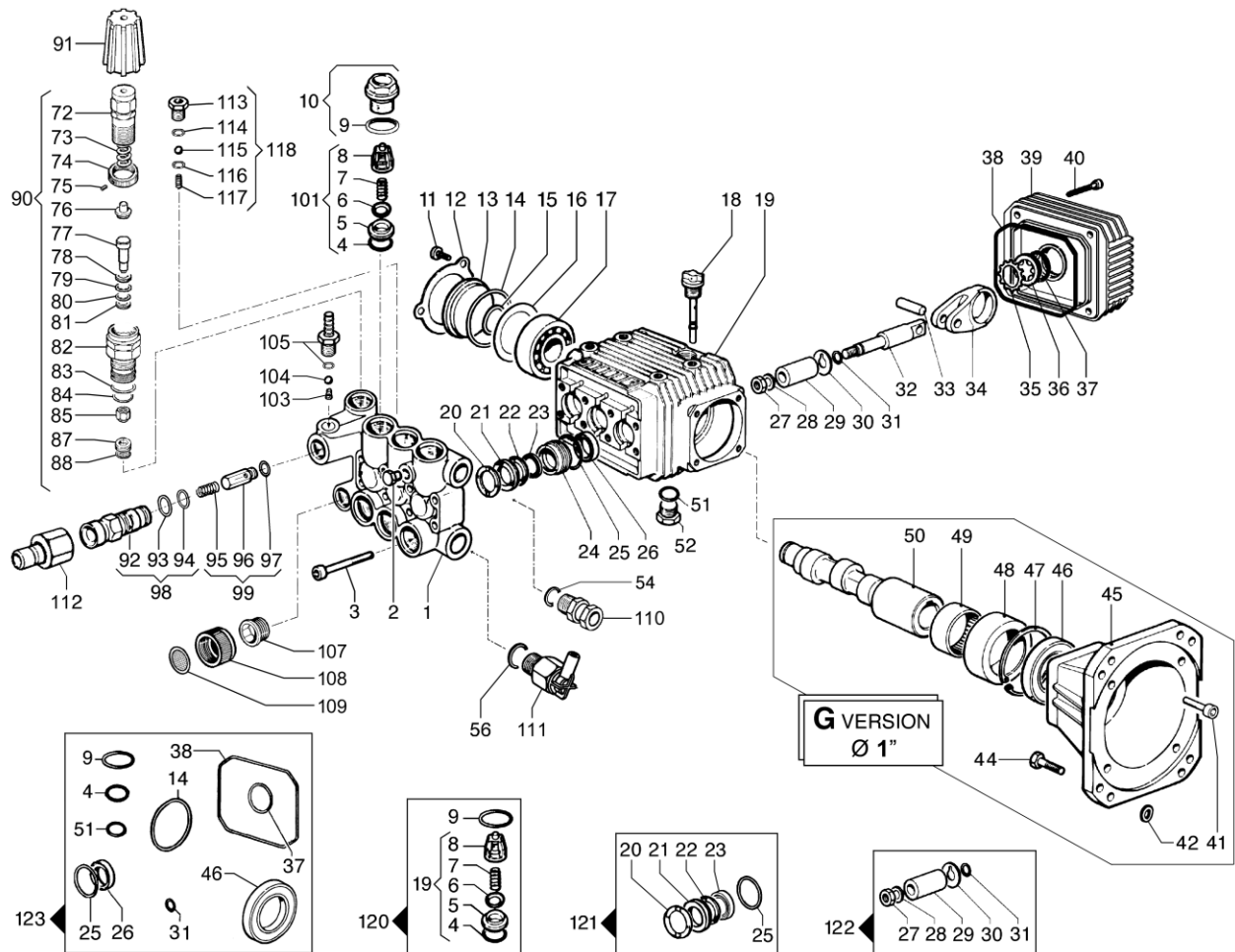
Part #	Code	Description	Qty
54	2811 0084	Washer	1
55	3200 0007	Cap	1
56	2811 0086	Washer	1
72	0204 0072	Bushing	1
73	1802 0279	Spring	1
74	1227 0051	Ring Nut	1
75	3622 0049	Stop Adjustable Nut	1
76	0009 0367	Spring Spacer	1
77	2409 0148	Rod	1
78	0009 0365	Ring	1
79	1210 0613	O-Ring	1
80	1210 0614	O-Ring	1
81	0009 0366	Ring	1
82	0204 0071	Bushing	1
83	1210 0615	O-Ring	1
84	1210 0616	O-Ring	1
85	3002 0673	Support/Ball	1
87	3009 0164	Valve Seat	1
88	1210 0603	O-Ring	1
90	1215 0403	Reg. Valve Kit + Seat	1

NorthStar NSLW Pump Exploded View

21	1241 0065	Packing	3
22	0009 0223	Back Ring	3
23	1241 0030	Packing	3
24	0009 0222	Packing Retainer	3
25	1210 0223	O-Ring	3
26	0019 0095	Oil Seal	3
27	0600 0048	Special Bolt	3
28	2811 0080	Washer	3
29	0202 0020	Ceramic Bushing	3
30	2812 0038	Washer	3
31	1210 0055	O-Ring	3
32	2409 0044	Piston Guides	3
33	3011 0014	Gudgeon Pin	3
34	0205 0050	Con. Rod Assembly	3
35	3019 0033	Outer Seeger	1
36	3201 0026	Oil Indicator	1
37	1210 0333	O-Ring	1
38	1210 0621	O-Ring	1
39	0402 0392	Cover	1
40	3609 0180	Screw	4
41	3609 0032	Screw	4
44	3607 0199	Hexagonal Screw	4
45	3016 0012	Flange	1
46	0019 0102	Oil Seal	1
47	3020 0012	Inner Seeger	1
48	0204 0038	Bushing	1
49	0437 0045	Bearing	1
50	0001 0399	Eccentric Shaft	1
51	1210 0441	O-Ring	1
52	3200 0007	Cap	1

91	1817 0064	Pressure Knob	1
92	3410 0288	Injector Body	1
93	1210 0398	O-Ring	1
94	1210 0402	O-Ring	1
95	1802 0197	Spring	1
96	2409 0122	Check Valve	1
97	1210 0460	O-Ring	1
98	3410 0287	Injector Body Kit	1
99	2409 0123	Check Valve Kit	1
101	1220 0030	Suct. /Del. Valve Assy kit	6
103	1802 0180	Detergent Spring	1
104	3003 0026	Detergent Ball	1
105	2803 0552	Detergent Coupling	1
107	2803 0395	Special Coupling	1
108	1223 0108	Wing Nut	1
109	1002 0158	Water Filter	1
110	1215 0381	Safety Valve	1
111	1215 0329	Thermal Valve	1
112	2803 3380	Quick Outlet Coupler	1
113	3202 0319	Easy Start Cap	1
114	1210 0463	O-Ring	1
115	3003 0033	Easy Start Ball	1
116	1210 0463	O-Ring	1
117	1802 0277	Easy Start Spring	1
118	5033 0010	Easy Start Kit	1
120	5025 0011	Valve Kit	1
121	5019 0064	Water Seal Kit	1
122	2409 0071	Piston Kit	1
123	5019 0065	Oil Seal Kit	1

NorthStar NSZW Pump Exploded View



Part #	Code	Description	Qty
1	3218 0424	Brass Pump Manifold Kit	1
2	3202 0018	Plug	1
3	3609 0014	Screw	8
4	1210 0046	O-Ring	6
5	3009 0087	Suct. /Del. Valve Seat	6
6	3604 0017	Suct. /Del. Valve	6
7	1802 0177	Spring	6
8	1205 0025	Suct. /Del. Valve Cage	6
9	1210 0048	O-Ring	6
10	3202 0315	Plug + O-Ring	6
11	3609 0088	Screw	3
12	1004 0012	Crankcase Flange	1
13	0402 0329	Aluminum Cover	1
14	1210 0386	O-Ring	1
15	3019 0011	Outer Seeger	1
16	0009 0275	Spacer	1
17	0438 0069	Ball Bearing	1
18	3200 0051	Oil Dipstick	1
19	0403 0199	Pump Crankcase	1
20	0009 0196	Packing Head Ring	3
21	1241 0065	Packing	3
22	0009 0223	Back Ring	3

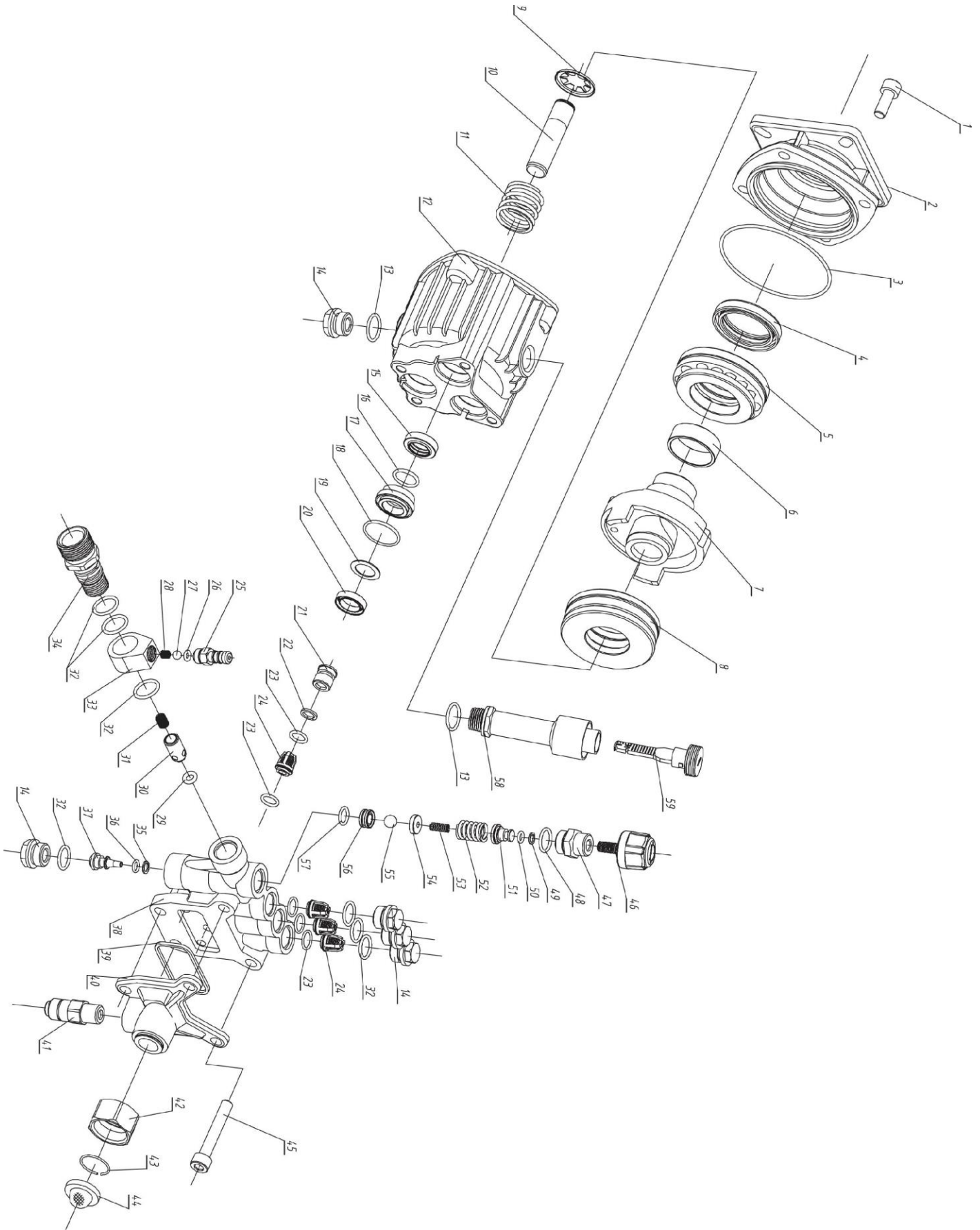
Part #	Code	Description	Qty
52	3200 0007	Cap	1
54	2811 0084	Washer	1
56	2811 0086	Washer	1
72	0204 0072	Bushing	1
73	1802 0279	Spring	1
74	1227 0051	Ring Nut	1
75	3622 0049	Stop Adjustable Nut	1
76	0009 0367	Spring Spacer	1
77	2409 0148	Rod	1
78	0009 0365	Ring	1
79	1210 0613	O-Ring	1
80	1210 0614	O-Ring	1
81	0009 0366	Ring	1
82	0204 0071	Bushing	1
83	1210 0615	O-Ring	1
84	1210 0616	O-Ring	1
85	3002 0673	Support/Ball	1
87	3009 0164	Valve Seat	1
88	1210 0603	O-Ring	1
90	1215 0404	Reg. Valve Kit + Seat	1
91	1817 0053	Pressure knob	1
92	3410 0297	Injector Body	1

NorthStar NSZW Pump Exploded View

23	1241 0030	Packing	3
24	0009 0222	Packing Retainer	3
25	1210 0223	O-Ring	3
26	0019 0095	Oil Seal	3
27	0600 0048	Special Bolt	3
28	2811 0080	Washer	3
29	0202 0020	Ceramic Bushing	3
30	2812 0038	Washer	3
31	1210 0055	O-Ring	3
32	2409 0044	Piston Guides	3
33	3011 0014	Gudgeon Pin	3
34	0205 0050	Con. Rod Assembly	3
35	3019 0033	Outer Seeger	1
36	3201 0026	Oil Indicator	1
37	1210 0333	O-Ring	1
38	1210 0621	O-Ring	1
39	0402 0391	Cover	1
40	3609 0180	Screw	4
41	3609 0032	Screw	4
42	2811 0098	Washer	4
44	3607 0168	Hexagonal Screw	4
45	3016 0023	Flange	1
46	0019 0102	Oil Seal	1
47	3020 0012	Inner Seeger	1
48	0204 0038	Bushing	1
49	0437 0045	Bearing	1
50	0001 0415	Eccentric Shaft	1
51	1210 0441	O-Ring	1

93	1210 0398	O-Ring	1
94	1210 0402	O-Ring	1
95	1802 0197	Spring	1
96	2409 0122	Check Valve	1
97	1210 0460	O-Ring	1
98	3410 0296	Injector Body Kit	1
99	2409 0123	Check Valve Kit	1
101	1220 0030	Suct. /Del. Valve Assy kit	6
103	1802 0180	Detergent Spring	1
104	3003 0026	Detergent Ball	1
105	2803 0552	Detergent Coupling	1
107	2803 0395	Special Coupling	1
108	1223 0108	Wing Nut	1
109	1002 0158	Water Filter	1
110	1215 0381	Safety Valve	1
111	1215 0329	Thermal Valve	1
112	2803 3380	Quick Outlet Coupler	1
113	3202 0319	Easy Start Cap	1
114	1210 0463	O-Ring	1
115	3003 0033	Easy Start Ball	1
116	1210 0463	O-Ring	1
117	1802 0277	Easy Start Spring	1
118	5033 0010	Easy Start Kit	1
120	5025 0011	Valve Kit	1
121	5019 0064	Water Seal Kit	1
122	2409 0071	Piston Kit	1
123	5019 0065	Oil Seal Kit	1

3025A Pump Exploded View



3025A Pump Exploded View

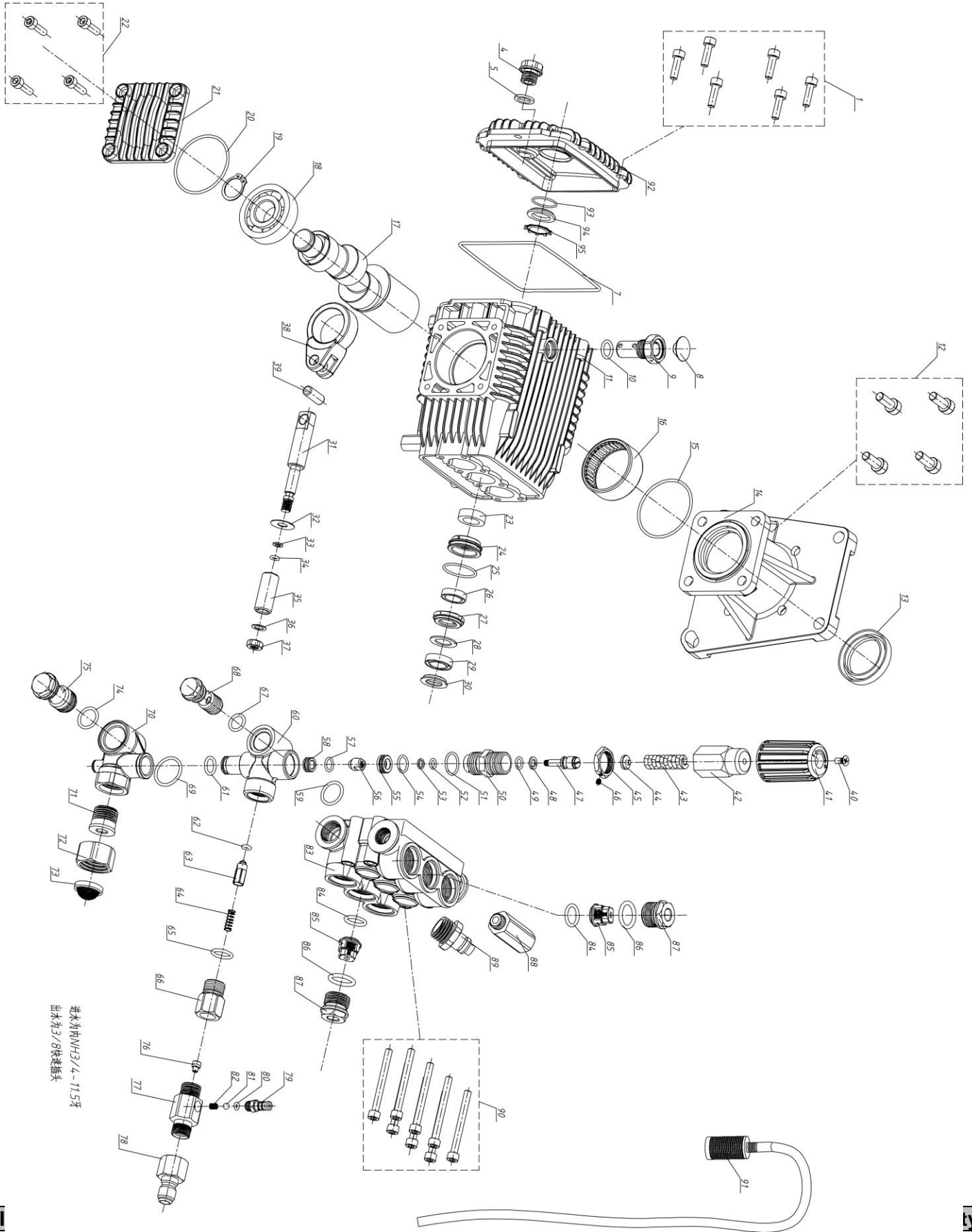
Item	Description	Part #	Qty	Item	Description	Part #	Qty
1	Socket head screw	781361	1	31	Cone valve spring	Kit #4	1
2	Pump basal flange	Kit #1	1	32	O-ring 14.2X1.9	Kit #4 Or Kit #5	7
3	O-ring 80X2.4	Kit #1	1	33	Hose barb seat	Kit #4	1
4	Radial shaft seal FB36-50-7	Kit #1	1	34	Outlet nut M22x1.5-14	Kit #4	1
5	Angular contact bearing	N/A	1	35	Back up ring 9X6.2X1.2	Kit #5	1
6	Wearable sheath	N/A	1	36	O-ring 6X1.78	Kit #5	1
7	Wobble plate	N/A	1	37	Back water valve core	Kit #5	1
8	Front bearing (51307B)	N/A	1	38	Pump head	N/A	1
9	Spring disk	N/A	1	39	Inlet water seal	Kit #6	1
10	Plunger	N/A	1	40	Inlet water body	Kit #6	1
11	Plunger spring	N/A	1	41	Thermal relief valve	781401	1
12	Crankcase	N/A	1	42	Inlet swivel nut	Kit #7	1
13	O-ring 14.2X1.9	781373	2	43	Clip ring	Kit #7	1
14	Outlet plug	Kit #5	5	44	Water filter	Kit #7	1
15	Oil seal	Kit #2	3	45	Socket head screw M8X50	N/A	4
16	O-ring 15X2.2	Kit #2	3	46	Adjusting screw	Kit #8	1
17	Spacer	Kit #2	3	47	Adjusting screw plug	Kit #8	1
18	O-ring 21.8X1.9	Kit #2	3	48	O-ring 15X2.5	Kit #8	1
19	Water seal	Kit #2	3	49	Back up ring 8.4X5.3X1.2	Kit #8	1
20	Compaction washer	Kit #2	3	50	O-ring 5.2X1.9	Kit #8	1
21	Inlet plug	N/A	3	51	Spring holder	Kit #8	1
22	Washer	N/A	3	52	Big pressure spring	Kit #8	1
23	O-ring 9.8X1.9	781383 or Kit #3	9	53	Small pressure spring	Kit #8	1
24	Valve	781384 or Kit #3	6	54	Ball holder	Kit #8	1
25	Hose barb	Kit #4	1	55	Steel ball 8.7	Kit #8	1
26	O-ring Ø3.68X1.78	Kit #4	1	56	Back water valve port	Kit #8	1
27	Steel ball	Kit #4	1	57	O-ring 9.25X1.78	Kit #8	1
28	Small cone spring	Kit #4	1	58	Breather Plug	Kit #9	1
29	O-ring 5.3X2.65	Kit #4	1	59	Dipstick		
30	Outlet cone valve	Kit #4	1				

N/A – part not available to order

3025A Pump Exploded View

Kit #	Description	Item #	Items Included	Qty	Kit Part #	Kit Qty Needed
1	Flange w/ Seal Kit	2	Pump basal flange	1	782837	1
		3	O-ring 80X2.4	1		
		4	Radial shaft seal FB36-50-7	1		
2	Seal Kit	15	Oil seal	1	782843	3
		16	O-ring 15X2.2	1		
		17	Spacer	1		
		18	O-ring 21.8X1.9	1		
		19	Water seal	1		
		20	Compaction washer	1		
3	Valve Kit	23	O-ring 9.8X1.9	1	781122	6
		24	Valve	1		
4	Outlet Kit w/ Injector	25	Hose barb	1	782838	1
		26	O-ring Ø3.68X1.78	1		
		27	Steel ball	1		
		28	Small cone spring	1		
		29	O-ring 5.3X2.65	1		
		30	Outlet cone valve	1		
		31	Cone valve spring	1		
		32	O-ring 14.2X1.9	1		
		33	Hose barb seat	1		
		34	Outlet nut M22x1.5-14	1		
5	Valve Cap Kit	14	Outlet plug	1	782839	5
		32	O-ring 14.2X1.9	1		
		35	Back up ring 9X6.2X1.2	1		
		36	O-ring 6X1.78	1		
		37	Back water valve core	1		
6	Inlet Flange Kit	39	Inlet water seal	1	782840	1
		40	Inlet water body	1		
7	Inlet Kit	42	Inlet swivel nut	1	782841	1
		43	Clip ring	1		
		44	Water filter	1		
8	Unloader Kit	46	Adjusting screw	1	782842	1
		47	Adjusting screw plug	1		
		48	O-ring 15X2.5	1		
		49	Back up ring 8.4X5.3X1.2	1		
		50	O-ring 5.2X1.9	1		
		51	Spring holder	1		
		52	Big pressure spring	1		
		53	Small pressure spring	1		
		54	Ball holder	1		
		55	Steel ball 8.7	1		
		56	Back water valve port	1		
57	O-ring 9.25X1.78	1				
9	Breather Plug with Dipstick Kit	58	Breather Plug	1	785819	1
		59	Dipstick	1		

1807A Pump Exploded View



进水管NH3/4-11.5寸
出水为3/8快接接头

1807A Pump Exploded View

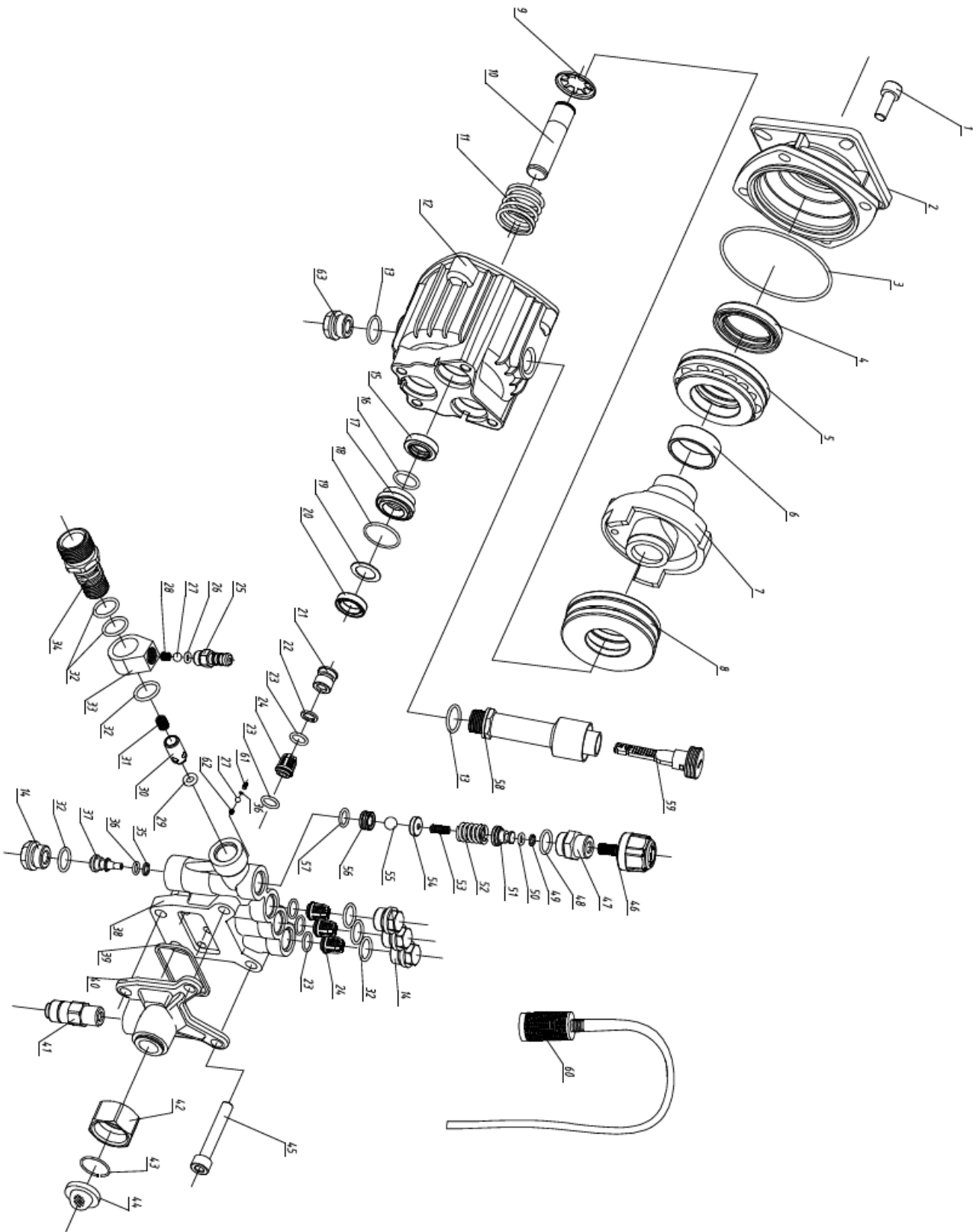
1	Screw M6*16	N/A	6	50	Valve body	Kit #11	1
4	Drain plug	Kit #1	1	51	O-ring Ø17.17*1.78	Kit #11	1
5	Gasket, drain plug	Kit #1	1	52	O-ring Ø6.08*1.78	Kit #11	1
7	O-ring Ø110*3	Kit #2	1	53	Backup ring 6.2*9*1.2	Kit #11	1
8	Cover, oil plug, Black	Kit #3	1	54	O-ring Ø 12.42*1.78	Kit #11	1
9	Oil plug	Kit #3	1	55	Seat, valve body	Kit #11	1
10	O-ring Ø12.6*1.8	Kit #3	1	56	Bullet	Kit #11	1
11	Crankcase	N/A	1	57	O-ring Ø9.25*1.78	Kit #11	1
12	Screw M8*20	N/A	4	58	Seat	Kit #11	1
13	Oil seal, crankshaft 40*52*7	Kit #4	1	59	O-ring Ø18.2*2.4	Kit #11	1
14	Flange	Kit #4	1	60	Outlet Tee connector	Kit #11	1
15	O-ring Ø51.8*2.2	Kit #4	1	61	O-ring Ø11.6*2.4	Kit #11	1
16	Needle roller bearing NK42/20	N/A	1	62	O-ring Ø4.2*2.4	Kit #11	1
17	Crankshaft	N/A	1	63	Checking valve	Kit #11	1
18	Ball bearing 6304	N/A	1	64	Spring	Kit #11	1
19	Clip Ø20	N/A	1	65	O-ring Ø15*2.5	Kit #11	1
20	O-ring Ø51.8*2.2	Kit #5	1	66	Outlet connector	Kit #11	1
21	Cover, crankshaft	Kit #5	1	67	O-ring Ø12.2*2.4	Kit #11 or Kit #8	1
22	Screw M8*16	N/A	4	68	Outlet banjo bolt	Kit #11 or Kit #8	1
23	Oil seal, plunger	Kit #6	3	69	O-ring Ø23.4*2.4	Kit #11	1
24	Locating ring	Kit #6	3	70	Inlet Tee connector	Kit #11	1
25	O-ring Ø 26.7*1.78	Kit #6	3	71	Inlet connector	Kit #11	1
26	Low pressure seal	Kit #6	3	72	Swivel nut	Kit #11	1
27	Compaction ring	Kit #6	3	73	Water filter	Kit #11	1
28	Compaction flake	Kit #6	3	74	O-ring Ø16.2*2.4	Kit #11 or Kit #8	1
29	High pressure seal	Kit #6	3	75	Inlet banjo bolt	Kit #11 or Kit #8	1
30	Supporting ring	Kit #6	3	76	Water injection tube	Kit #11 or Kit #9	1
31	Plunger rod	N/A	3	77	Soap injector	Kit #11 or Kit #9	1
32	Checking ring	Kit #7	3	78	3/8 quick connect plug	Kit #11 or Kit #9	1
33	Backup ring	Kit #7	3	79	Soap suction nozzle	Kit #11 or Kit #9	1
34	O-ring	Kit #7	3	80	O-ring Ø3.68*1.78	Kit #11 or Kit #9	1
35	Ceramic pipe	Kit #7	3	81	Ball	Kit #11 or Kit #9	1
36	Plain washer	Kit #7	3	82	Spring	Kit #11 or Kit #9	1
37	Fix nut M8	Kit #7	3	83	Manifold head	N/A	1
38	Connecting rod	N/A	3	84	O-ring Ø15.54*2.62	Kit #10	6
39	Fix pin Ø9*23	N/A	3	85	Valve	Kit #10	6
40	Fix screw M6*5	Kit #11	1	86	O-ring Ø18*2.65	Kit #10	6
41	Plastic cap, knob	Kit #11	1	87	Valve plug	N/A	6
42	Knob	Kit #11	1	88	Pop off valve	782191	1
43	Spring	Kit #11	1	89	Thermal relief valve	782192	1
44	Spring seat	Kit #11	1	90	Bolt M8*65	N/A	8
45	Jam nut	Kit #11	1	91	Siphon filter	782194	1
46	Fix screw M4*4	Kit #11	1	92	Crankcase Cover	Kit #2	1
47	Valve rod	Kit #11	1	93	O-ring	Kit #1	1
48	Backup ring 8.2*11*1.2	Kit #11	1	94	Oil Gauge	Kit #1	1
49	O-ring Ø7.65*1.78	Kit #11	1	95	Spring Disk	Kit #1	1

N/A – part not available to order

1807A Pump Exploded View

Kit #	Description	Items Included	Qty	Part #	Kits Qty Needed
1	Oil Drain Plug & Sight Glass Kit	4 Drain plug	1	784969	1
		5 Gasket, drain plug	1		
		93 O-ring	1		
		94 Oil Gauge	1		
		95 Spring Disk	1		
2	Crankcase Cover Kit	7 O-ring Ø110*3	1	784968	1
		92 Crankcase Cover	1		
3	Breather Cap w/dipstick Kit	8 Cover, oil plug, Black	1	782846	1
		9 Oil plug	1		
		10 O-ring Ø12.6*1.8	1		
4	Flange w/Seal Kit	13 Oil seal, crankshaft 40*52*7	1	782847	1
		14 Flange	1		
		15 O-ring Ø51.8*2.2	1		
5	Crankshaft Cover Kit	20 O-ring Ø51.8*2.2	1	782848	1
		21 Cover, crankshaft	1		
6	Seal Kit	23 Oil seal, plunger	1	782849	3
		24 Locating ring	1		
		25 O-ring Ø 26.7*1.78	1		
		26 Low pressure seal	1		
		27 Compaction ring	1		
		28 Compaction flake	1		
		29 High pressure seal	1		
		30 Supporting ring	1		
7	Plunger Kit	32 Checking ring	1	782878	3
		33 Backup ring	1		
		34 O-ring	1		
		35 Ceramic pipe	1		
		36 Plain washer	1		
		37 Fix nut M8	1		
8	Banjo Bolt Kit	67 O-ring Ø12.2*2.4	1	782852	1
		68 Outlet banjo bolt	1		
		74 O-ring Ø16.2*2.4	1		
		75 Inlet banjo bolt	1		
9	Chemical Injector Kit	76 Water injection tube	1	782853	1
		77 Soap injector	1		
		78 3/8 quick connect plug	1		
		79 Soap suction nozzle	1		
		80 O-ring Ø3.68*1.78	1		
		81 Ball	1		
		82 Spring	1		
10	Valve Kit	84 O-ring Ø15.54*2.62	6	782850	1
		85 Valve	6		
		86 O-ring Ø18*2.65	6		
11	Unloader Kit W/Injector	40-82 See Pump Parts List	N/A	782851	1

3025A W/Easy Start Pump Exploded View



3025A W/Easy Start Pump Exploded View

Item	Description	Part #	Qty	Item	Description	Part #	Qty
1	Socket head screw	781361	1	32	O-ring 14.2X1.9	Kit #4 or Kit #5	7
2	Pump basal flange	Kit #1	1	33	Hose barb seat	Kit #4	1
3	O-ring 80X2.4	Kit #1	1	34	Outlet nut M22x1.5-14	Kit #4	1
4	Radial shaft seal FB36-50-7	Kit #1	1	35	Back up ring 9X6.2X1.2	Kit #5	1
5	Angular contact bearing	N/A	1	36	O-ring 6 X1.78	Kit #5 or Kit #10	2
6	Wearable sheath	N/A	1	37	Back water valve core	Kit #5	1
7	Wobble plate	N/A	1	38	Pump head	N/A	1
8	Front bearing (51307B)	N/A	1	39	Inlet water seal	Kit #6	1
9	Spring disk	N/A	1	40	Inlet water body	Kit #6	1
10	Plunger	N/A	1	41	Thermal relief valve	781401	1
11	Plunger spring	N/A	1	42	Inlet swivel nut	Kit #7	1
12	Crankcase	N/A	1	43	Clip ring	Kit #7	1
13	O-ring 14.2X1.9	781373	2	44	Water filter	Kit #7	1
14	Outlet plug	Kit #5	4	45	Socket head screw M8X50	N/A	4
15	Oil seal	Kit #2	3	46	Adjusting screw	Kit #8	1
16	O-ring 15X2.2	Kit #2	3	47	Adjusting screw plug	Kit #8	1
17	Spacer	Kit #2	3	48	O-ring 15X2.5	Kit #8	1
18	O-ring 21.8X1.9	Kit #2	3	49	Back up ring 8.4X5.3X1.2	Kit #8	1
19	Water seal	Kit #2	3	50	O-ring 5.2X1.9	Kit #8	1
20	Compaction washer	Kit #2	3	51	Spring holder	Kit #8	1
21	Inlet plug	N/A	3	52	Big pressure spring	Kit #8	1
22	Washer	N/A	3	53	Small pressure spring	Kit #8	1
23	O-ring 9.8X1.9	781383 or Kit #3	9	54	Ball holder	Kit #8	1
24	Valve	781384 or Kit #3	6	55	Steel ball 8.7	Kit #8	1
25	Hose barb	Kit #4	1	56	Back water valve port	Kit #8	1
26	O-ring Ø3.68X1.78	Kit #4	1	57	O-ring 9.25X1.78	Kit #8	1
27	Steel ball	Kit #4 or Kit #10	2	58	Breather Plug Tube	Kit #9	1
28	Small cone spring	Kit #4	1	59	Dipstick		1
29	O-ring 5.3X2.65	Kit #4	1	60	Siphon hose with filter	789237	1
30	Outlet cone valve	Kit #4	1	61	Easy start	Kit # 10	1
31	Cone valve spring	Kit #4	1	62	Spring		1
				63	Drain plug	789480	1

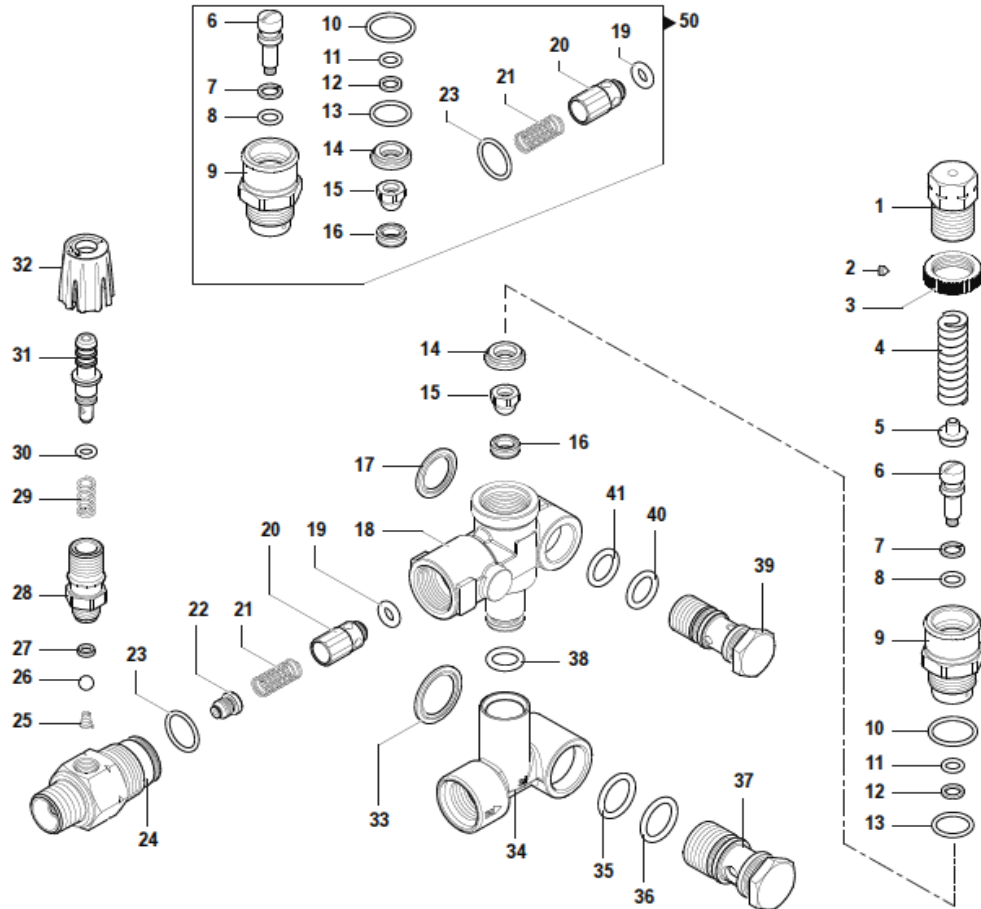
3025A W/Easy Start Pump Exploded View

Kit #	Description	Item #	Items Included	Qty	Kit Part #	Kit Qty Needed
1	Flange w/ Seal Kit	2	Pump basal flange	1	782837	1
		3	O-ring 80X2.4	1		
		4	Radial shaft seal FB36-50-7	1		
2	Seal Kit	15	Oil seal	1	782843	3
		16	O-ring 15X2.2	1		
		17	Spacer	1		
		18	O-ring 21.8X1.9	1		
		19	Water seal	1		
		20	Compaction washer	1		
3	Valve Kit	23	O-ring 9.8X1.9	1	781122	6
		24	Valve	1		
4	Outlet Kit w/ Injector	25	Hose barb	1	782838	1
		26	O-ring Ø3.68X1.78	1		
		27	Steel ball	1		
		28	Small cone spring	1		
		29	O-ring 5.3X2.65	1		
		30	Outlet cone valve	1		
		31	Cone valve spring	1		
		32	O-ring 14.2X1.9	1		
		33	Hose barb seat	1		
		34	Outlet nut M22x1.5-14	1		
5	Valve Cap Kit	14	Outlet plug	1	782839	4
		32	O-ring 14.2X1.9	1		
		35	Back up ring 9X6.2X1.2	1		
		36	O-ring 6X1.78	1		
		37	Back water valve core	1		
6	Inlet Flange Kit	39	Inlet water seal	1	782840	1
		40	Inlet water body	1		
7	Inlet Kit	42	Inlet swivel nut	1	782841	1
		43	Clip ring	1		
		44	Water filter	1		
8	Unloader Kit	46	Adjusting screw	1	782842	1
		47	Adjusting screw plug	1		
		48	O-ring 15X2.5	1		
		49	Back up ring 8.4X5.3X1.2	1		
		50	O-ring 5.2X1.9	1		
		51	Spring holder	1		
		52	Big pressure spring	1		
		53	Small pressure spring	1		
		54	Ball holder	1		
		55	Steel ball 8.7	1		
		56	Back water valve port	1		
57	O-ring 9.25X1.78	1				
9	Breather Plug with Dipstick Kit	58	Breather Plug Tube	1	791075	1
		59	Dipstick	1		
10	Easy Start Kit	27	Steel ball	1	789479	1
		36	O-ring 6X1.78	1		
		61	Easy start	1		
		62	Spring	1		

NSSHFD5030 Pump Exploded View

Ref #	Part #	Description	Qty	Ref #	Part #	Description	Qty
1	Not Available	Manifold	1	37	CO3609003000	Screw	6
2	Not Available	Screw	8	38	CO3200000700	Cap	1
3	CO3202011200	Cap	1	39	CO1210044100	O-Ring	1
4	CO1210004600	O-Ring	6	40	CO3200000700	Cap	1
5	CO3009008700	Suct./Del. Valve Seat	6	41	CO2811008400	Washer	1
6	Not Available	Suct./Del. Valve	6	42	CO3202001500	Cap	1
7	CO1802017700	Suct. Del. Valve Spring	6	43	CO2811008600	Washer	1
8	Not Available	Suct./Del. Valve Cage	6	53	CO3609003200	Screw	4
9	CO1210004800	O-Ring	6	54	Not Available	Flange	1
10	CO3202031200	Cap + O-ring	6	55	CO1210038800	O-Ring	1
11	Not Available	Packing Head Ring	3	56	Not Available	Roller Bearing	1
12	Not Available	Packing	3	65	CO1220007200	Suct./Del. Valve Assy. Kit	6
13	Not Available	Back Ring	3	66	Not Available	Hollow Shaft	1
14	Not Available	Packing Retainer	3	67	Not Available	Roller Bearing	1
15	Not Available	Packing Head Ring	3	68	CO1210010900	O-Ring	1
16	CO1241002200	Packing	3	69	CO0019005200	Oil Seal	1
17	CO0009021700	Packing Retainer	3	70	Not Available	Shim 0.05mm	1
18	CO1210015600	O-Ring	3	70	Not Available	Shim 0.10mm	1
19	CO0019012800	Oil Seal	3	70	Not Available	Shim 0.19mm	1
20	CO0600005400	Special Bolt	3	70	Not Available	Shim 0.25mm	1
21	CO2811008200	Washer	3	71	Not Available	Flange	1
22	CO0202002200	Ceramic Bushing	3	72	Not Available	Washer	4
23	CO2812009400	Washer	3	73	Not Available	Screw	4
24	CO1210003900	O-Ring	3	74	CO3607011900	Hexagonal Screw	4
25	CO0009017000	Anti-Extr. Ring	3	75	Not Available	Hexagonal Screw	4
26	Not Available	Piston Guides	3	76	Not Available	O-Ring	1
27	Not Available	Gudgeon Pin	3	77	CO3201002600	Oil Indicator	1
28	Not Available	Con. Rod Assembly	3	78	CO3019003300	Snap Ring	1
29	Not Available	Pump Crankcase	1	79	CO1817009700	Knob	1
31	CO3200005100	Oil Dipstick	1	80	CO1215054800	Unloader Valve	1
32	CO3019003300	Snap Ring	1				
33	CO3201002600	Oil Indicator	1	150	CO5025002500	Valve Kit	1
34	Not Available	O-Ring	1	151	CO5019021800	Water Seal Kit	1
35	Not Available	O-Ring	1	152	CO2409007300	Piston Kit	1
36	Not Available	Crankcase Cover	1	153	CO5019025700	Oil Seal Kit	1

NSSHFD5030 Pump Exploded View



Ref #	Part #	Description	Qty
1	Not Available	Bushing	1
2	CO3622003000	Stop Adjustable Nut	1
3	CO1227002200	Ring Nut	1
4	Not Available	Spring	1
5	CO0009020700	Spring Spacer	1
6	CO2409008800	Piston Rod	1
7	Not Available	Anti-Extr. Ring	1
8	Not Available	O-Ring	1
9	Not Available	Bushing	1
10	CO1210061500	O-Ring	1
11	Not Available	O-Ring	1
12	Not Available	Anti-Extr. Ring	1
13	Not Available	O-Ring	1
14	Not Available	Gasket	1
15	CO3002065400	Unloader Ball	1
16	CO3009001300	Seat	1
17	Not Available	Gasket	1
18	Not Available	Upper Body	1
19	CO1210057000	O-Ring	1
20	Not Available	Check Valve	1
21	Not Available	Spring	1

Ref #	Part #	Description	Qty
22	CO3410036600	Injector Body 2.3	1
23	Not Available	O-Ring	1
24	Not Available	Coupling	1
25	CO1802018000	Spring	1
26	CO3003002600	Ball	1
27	CO2812006700	Washer	1
28	CO2803064600	Coupling	1
29	CO1802034400	Spring	1
30	CO1210056400	O-Ring	1
31	CO2803064500	Detergent Coupling	1
32	CO1817009500	Knob	1
33	Not Available	Gasket	1
34	Not Available	Lower Body	1
35	CO1210041000	O-Ring	1
36	CO1210041000	O-Ring	1
37	CO2803063400	Coupling	1
38	Not Available	O-Ring	1
39	CO2803063500	Coupling	1
40	CO1210041100	O-Ring	1
41	CO1210041100	O-Ring	1
50	CO5015004900	Valve Repair Kit	1

Limited Warranty

Dear Valued Customer:

The Northstar or Powerhorse Product you just purchased is built with the finest material and craftsmanship. Use this product properly and enjoy the benefits from its high performance. By purchasing a Northstar or Powerhorse product, you show a desire for quality and durability. Like all mechanical equipment this unit requires a due amount of care. Treat this unit like the high quality piece of machinery it is. Neglect and improper handling may impair its performance. Please thoroughly read the instructions and understand the operation before using your product. Always contact Northstar Product Support at 1-800-270-0810 or Powerhorse Product Support at 1-866-443-2576 prior to having any service or warranty work performed, as some services performed by parties other than Northstar or Powerhorse approved service centers may void this warranty. This warranty is in lieu of any other warranty expressed or implied and Northstar or Powerhorse assumes no other responsibility or liability outside that expressed within this warranty.

Limited Warranty

Northstar or Powerhorse shall warranty any piece of equipment manufactured, or parts of equipment manufactured, to be free from defects in material or workmanship for a period of:

Powerhorse Warranty		
Item #	Consumer Warranty Period	Commercial Warranty Period
A157711 A157712 A1577110	12 months from date of purchase by user	12 months from date of purchase by user
Northstar Warranty		
Item #	Consumer Warranty Period	Commercial Warranty Period
A1573701, A1573981 A1577541, A1578111 A1578171, A1578131 A1578181, A1578151 A1578201, A157594	12 months from date of purchase by user	12 months from date of purchase by user
A1578203 A1578173 A15782030	4 years from date of purchase by user	3 years from date of purchase by user

“Consumer use” means personal residential household use by a consumer. “Commercial use” means all other uses, including use for commercial, income producing or rental purposes or when purchased by a business.

This warranty applies to the original purchaser of the equipment (verification of purchase, in the form of a receipt, is the responsibility of the buyer), is non-transferable, and covers parts and labor. Parts will be replaced or repaired at no charge, except when the equipment has failed due to lack of proper maintenance. If a part is no longer available, the part may be replaced with a similar part of equal function. Any misuse, abuse, alteration or improper installation or operations will void warranty. Determining whether a part is to be replaced or repaired is the sole decision of Northstar or Powerhorse. Northstar or Powerhorse will not provide for replacement of complete products due to defective parts. Any costs incurred due to replacement or repair of items outside of a Northstar or Powerhorse approved facility is the responsibility of the buyer and not covered under warranty. Transportation costs to and from service center is the responsibility of the customer.

In addition to the normal warranty, Northstar or Powerhorse shall warrant any normal wear item from defects in material or workmanship for a period of 90 days from the date of purchase by user. Normal wear items include, but are not limited to, nozzles, quick connect fittings, valves, seals, hoses, springs, O-rings, unloader valves and filter elements.

This warranty specifically excludes the following; failure of parts due to damage caused by accident, fire, flood, windstorm, acts of God, applications not approved by Northstar or Powerhorse in writing, corrosion caused by chemicals, use of replacement parts which do not conform to manufacturer’s specifications, damage related to rodent and/or insect infestation and damage caused by vandalism. Additional exclusions: loss of running time, inconvenience, loss of income, or loss of use, including any implied warranty of merchantability of fitness for a specific use. Also, Outdoor Power Equipment needs periodic parts and service to perform well, and this warranty does not cover instances when normal use has exhausted the life of a component or the engine.

This warranty does not cover any personal injury or damage to surrounding property caused by failure of any part. Repair or replacement of parts does not extend the warranty period.

Please fill in the following information and have it on hand when you call in on a warranty claim.

Customer Number: _____

Date of Purchase: _____

Northstar or Powerhorse Date Code: _____

Item Number: _____

This page was intentionally left blank.



Assembled by
Northern Tool & Equipment Company, Inc.
Burnsville, MN 55306
NorthernTool.com