

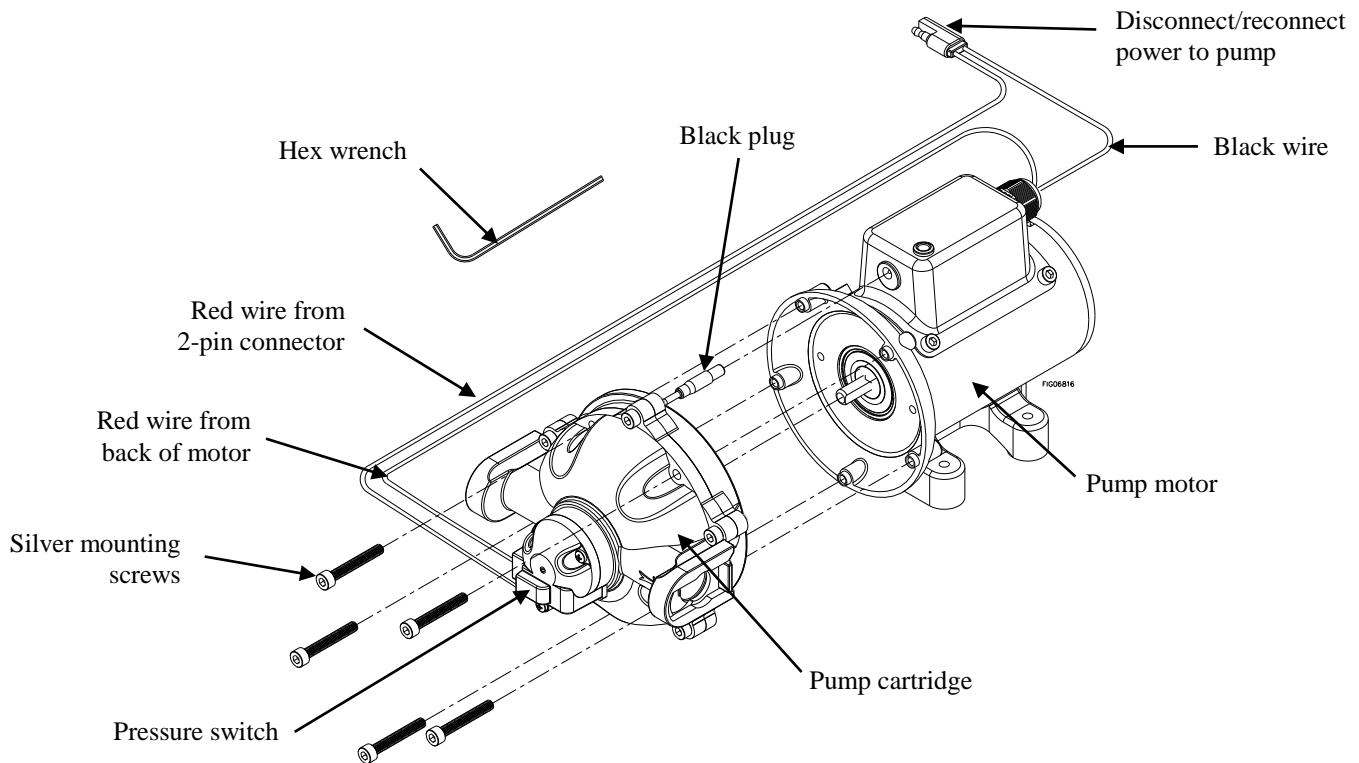


EA157145A

ITEM NUMBER: A157145, A157147, A157153

ASSEMBLY INSTRUCTIONS

Personal protective equipment	Wear personal protective equipment as directed on the chemical label while servicing your pump.
Disassembly Instructions	<ol style="list-style-type: none"> 1. Disconnect power to the pump motor and be sure all system pressure is relieved by pulling spray gun trigger. 2. Disconnect both red wires from the pressure switch. 3. Disconnect the black plug from the pump motor. 4. Disconnect plumbing from pump ports. 5. Using the supplied hex wrench, unthread the silver mounting screws (black screws can remain installed). 6. Slide the pump cartridge off the shaft of the motor. Discard the pump cartridge. 7. Dry any wet areas of the motor before installing the new pump cartridge.
Assembly Instructions	<ol style="list-style-type: none"> 1. Slide the pump cartridge onto the shaft of the motor and orient 2. Using the supplied hex wrench, secure the pump cartridge using the new mounting screws supplied with the pump cartridge. 3. Attach the red wire from the back of the motor to the back spade of the pressure switch. 4. Attach the red wire from the 2-pin connector to the front spade of the pressure switch. 5. Attach the black plug from the pump cartridge to the pump motor. 6. Reconnect plumbing to pump ports. 7. Reconnect power to the pump and test system for leaks with water.



Questions, Comments, Problems, or Parts Orders
Call NorthStar Product Support at 1-800-270-0810