



M999889A.2

ITEM NUMBER: 999889

SERIAL NUMBER: _____

OWNER'S MANUAL
Instructions for Set-up and Operation
TRAILER MOUNTED 600 GALLON WATER TANK

This 600 Gallon trailer mounted water tank can be used with multiple NorthStar products, from water pumps to portable pressure washers.

⚠ WARNING – READ THIS MANUAL

READ and UNDERSTAND this Owner's Manual completely. Failure to properly set up, operate, and maintain this trailer could result in *serious injury or death* to operator or bystanders.

⚠ WARNING – SPECIAL HAZARDS

Slips/Falls	<ul style="list-style-type: none">• Water discharge can cause puddles and slippery surfaces.
Trailer Tip-over	<ul style="list-style-type: none">• Sudden stopping or turning while towing with a filled water tank can result in driving instability and/or trailer tip-over.
A summary of important safety information is provided at the end of the manual.	

Any Questions, Comments, Problems, or Parts Orders
Call NorthStar Product Support 1-800-270-0810

Hazard Signal Word Definitions



This is the safety alert symbol. It is used to alert you to potential personal injury hazards. Obey all safety messages that follow this symbol to avoid injury or death.

⚠ DANGER

DANGER indicates a hazardous situation, which if not avoided, will result in death or severe injury.

⚠ WARNING

WARNING indicates a hazardous situation, which if not avoided, could result in death or severe injury.

⚠ CAUTION

CAUTION used with the safety alert symbol, indicates a hazardous situation, which if not avoided, could result in minor or moderate injury.

CAUTION

CAUTION without the safety alert symbol, is used to address practices not related to personal injury.

NOTICE

NOTICE is used to address practices not related to personal injury.

EQUIPMENT PROTECTION QUICK FACTS

Inspect Upon Delivery	STOP! Thoroughly inspect to make sure no components are missing or damaged. See the "Assembly and Initial Set-Up" section for instructions on whom to contact to report missing or damaged parts.	
	Brakes and Breakaway Switch:	<ul style="list-style-type: none"> • Check before each use.
	Tires:	<ul style="list-style-type: none"> • Check before each use. Maintain proper tire pressure, check for signs of wear and check lug nuts to be certain they are at proper torque.

Table of Contents

Important Safety Information	4
Specifications	5
Component Identification	6
Safety Labeling	7
Assembly & Initial Set-Up Instructions	8-9
Parts Explosion (Fenders and Water Tank Platform)	10
Parts Explosion (Tongue/Trailer Frame/Water Tank Platform)	11
Parts Explosion (Water Tank)	12
Parts Explosion (Water Tank Straps)	13
Parts Explosion (Tongue)	14
Parts Explosion (Tongue Platform)	15
Parts Explosion (Axle)	16
Parts Explosion (Tank Snugger and D-Hooks)	17
Parts Explosion (Axle Breakdown)	18
Branding Decal Locations	19
Wiring Schematic	20
Summary of Important Safety Information	21
Limited Warranty	22-23

Important Safety Information

Thank you for purchasing a NorthStar 600 Gallon Trailer. Your trailer is designed for long life, dependability, and the top performance you demand. This trailer is designed to:

- 1) Hold 600 gallons of water.
- 2) Be used with other NorthStar brand equipment, ex. NorthStar trash pumps or smaller pressure washers.
- 3) Move water to areas that do not have a water supply.

See the **Specifications** section of this manual for more detail.

Before using this trailer, the operator shall determine the suitability of this product for its intended use and assumes liability therein.

READ THIS MANUAL

⚠ DANGER

Carefully read and follow all instructions and safety information for using this trailer. Improper use or maintenance of the trailer can result in **serious injury or death** to the operator or bystanders.

Keep this manual for reference and review. A summary of important safety information can be found at the end of the manual. Proper preparation, operation, and maintenance of this trailer will result in optimal performance and a long life for this equipment.

ATTENTION:

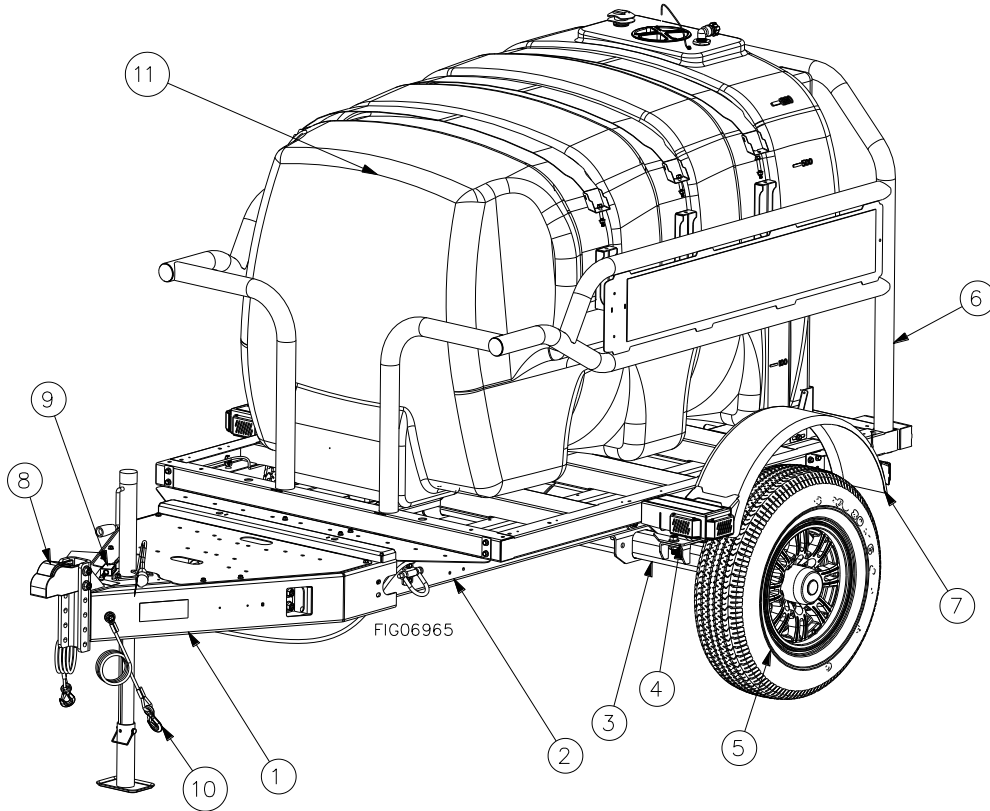
Rental companies and private owners who loan this equipment to others, please read this manual!

All persons to whom you rent/loan this trailer must have access to and read this manual. Always keep this owner's manual with the trailer and advise all persons who will operate the machine to read it. You must also provide personal instruction on how to safely set-up and operate the trailer and remain available to answer any questions a renter/borrower might have.

Specifications

MODEL	
Model #	999889
DIMENSIONS / COMPONENTS	
Length	138"
Width	85"
Height	80"
Trailer Weight – Wet Trailer Weight – Dry	6,204 lbs. 1,200 lbs.
Tongue Weight – Wet Tongue Weight – Dry	516 lbs. 179 lbs.
Trailer GVWR	7,800 lbs.
Hitch Size	2-5/16"
Input Water Supply (Tank Feed)	600-gallon tank
Tire Size	16" 8 Lug on 6.5

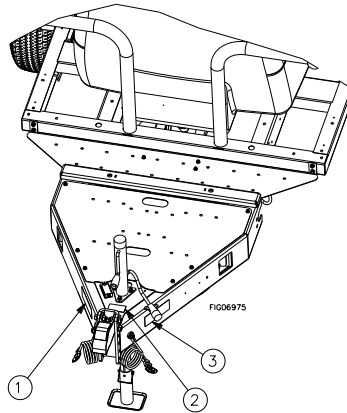
Component Identification



COMPONENT REFERENCE GUIDE

<u>REF#</u>	<u>NAME</u>	<u>DESCRIPTION</u>
1	Tongue	An extension of the trailer frame that connects the frame to the vehicle via a trailer hitch.
2	Trailer Frame	A wheeled frame with a hitch system designed to carry cargo.
3	Axle	Central shaft to hold the wheels.
4	Axle Brace	Holds the axles to the trailer frame in conjunction of added bolts from axle to trailer frame.
5	Tires	Move the trailer frame down the road.
6	Water Tank Frame	Hold the water tank to the trailer frame.
7	Fender	Adds protection to the trailer frame and hold the safety lights.
8	Trailer Hitch	Connects the trailer to the vehicle towing it.
9	Break-Away Switch	Safety measure, if the vehicle and trailer become disconnected while towing the cable is released activating the trailer breaks.
10	Safety Cable	Added safety in case the vehicle and trailer become disconnected.
11	Water Tank	Holds water.

Safety Labeling



ON-PRODUCT WARNING LABELS

Ref. #	Part #	Description	Qty.
1	786633	Decal, Towing Warning	1
2	792538	Decal, Breakaway Switch	1
3	797512	Towing/Moving Instructions	1

1

⚠ WARNING

Be aware that vehicle handling will be affected when towing the filled pressure washer. Pulling a trailer requires special driving skills. Exercise caution to avoid loss of control or pressure washer overturning.

- Keep speed to a minimum so you can maintain control at all times. Reduce speed prior to turns.
- Allow for wider turns and for more distance to stop.
- Avoid any sudden steering maneuvers, starts, or stops that could create sway.
- Slow down and exercise extra caution on rough or sloped terrain in order to reduce risk of rollover.
- Be aware of the added length of the pressure washer.
- Be aware that visibility may be reduced with pressure washer attached. Be extra cautious when backing up or turning.
- If towing on a public road, make sure to comply with all local, state, and federal towing requirements.

See additional safety rules in the Operator's Manual.

2

⚠ WARNING

Trailer can roll if it comes loose from tow vehicle.

The breakaway safety switch requires a connection to a fully charged 12 Volt DC battery that needs to be positioned on the trailer.

If the trailer separates from the tow vehicle the breakaway switch cable will pull the pin out of the switch box and activate the trailer breaks.

- Check condition of battery prior to installation and prior to each trip.
- Attach the breakaway switch cable securely to the tow vehicle.
- Check your breakaway system periodically to insure that wiring and connections are secure. A short or an open circuit can result in a no-brake condition.

3

MOVING/TOWING INSTRUCTIONS

Towing trailer:

- Latch coupler securely to a properly rated hitch. See Owner's Manual for hitch requirements.
- Make sure hitched trailer sits level.
- Crank jack to UP position.
- Attach safety cables to the tow vehicle.
- Connect breakaway switch cable.
- Plug in 7-way connector into tow vehicle.
- Check local, state and federal requirements before towing on public roads.

Always make sure safety labels are in place and in good condition. If a safety label is missing or not legible, order new labels or unsafe operation could result. To order replacement safety labels, call NorthStar Product Support at **1-800-270-0810**

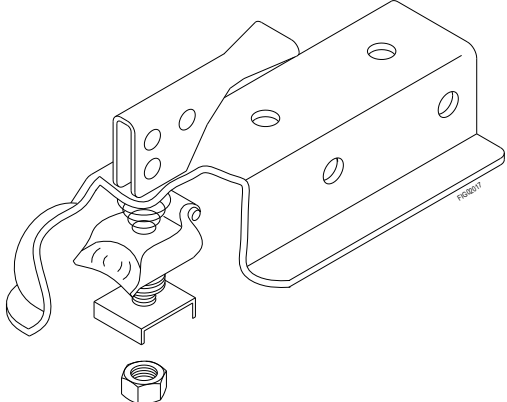
Assembly & Initial Set-Up Instructions

⚠ DANGER

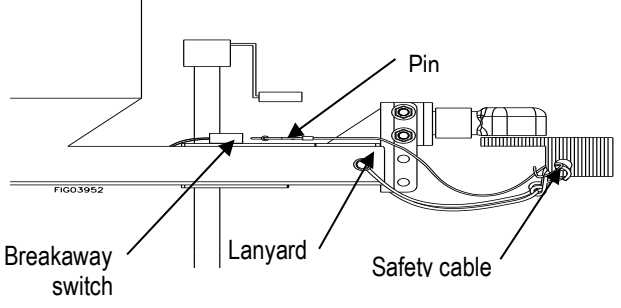
The filled tank is heavy. It can crush and cause serious injury if it rolls out of control or tips over.

- Always keep the jack cranked down to help balance the trailer when it is not connected to a vehicle hitch.
- Follow all the instructions below for safely connecting and towing the trailer.

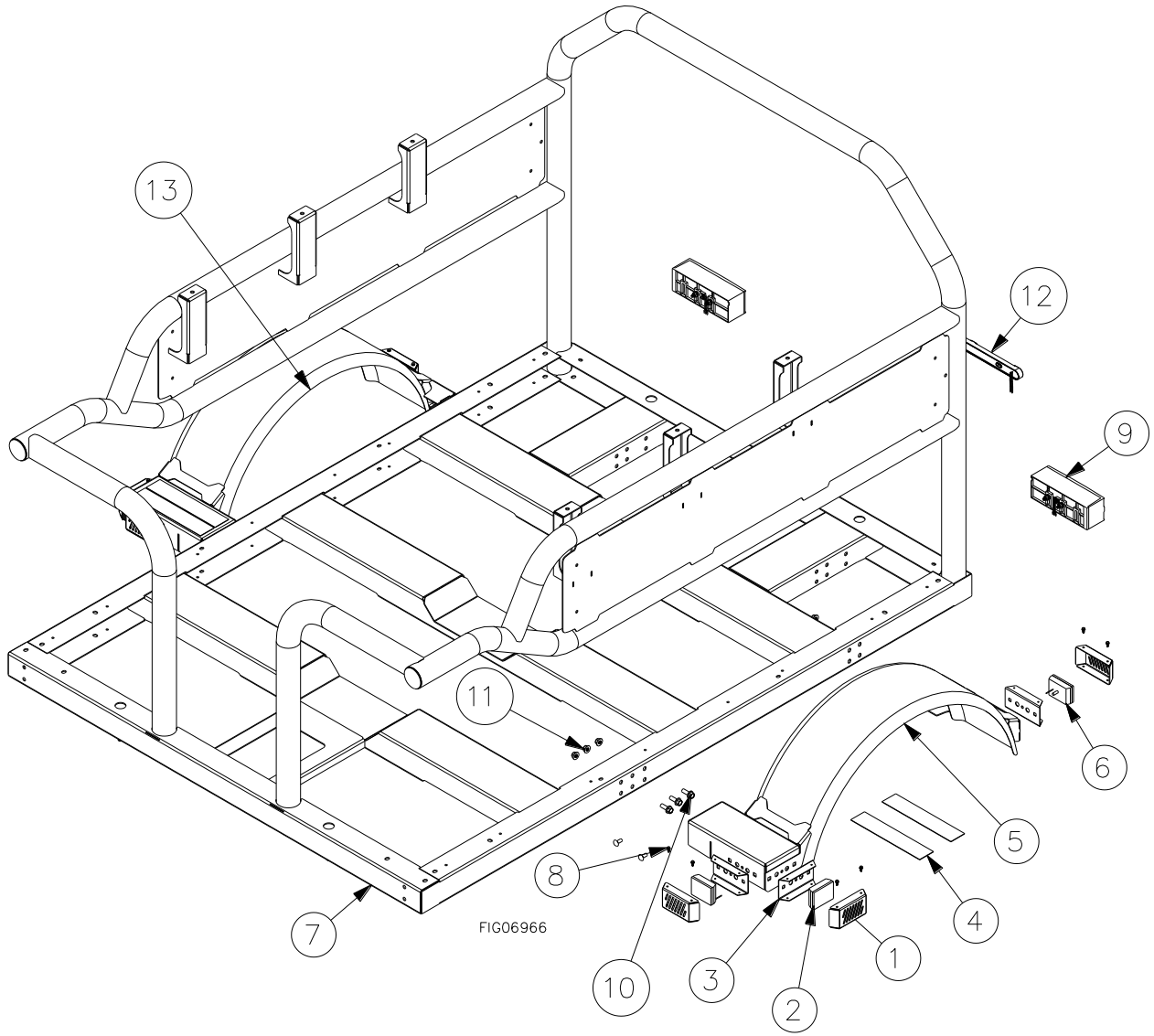
CONNECTING TRAILER AND TOWING

<p>Inspect Trailer</p>	<p>Always inspect the trailer before hitching it to your vehicle.</p> <ol style="list-style-type: none"> 1) Check and be sure tires are fully inflated and in good repair. See tire sidewall for recommended pressure. 2) Check to make sure that trailer is in safe working condition. Make sure all nuts, bolts, and connections are tight. If a part needs replacement, only use parts that meet the manufacturer's specifications. 3) Check coupler and latch be sure it is working properly. 4) Check to make sure coupler and ball size are the same. 5) Check wheel lug nuts to be certain they are tight. 6) Check all trailer lighting to insure they are in proper working order. <p>⚠ WARNING:</p> <ul style="list-style-type: none"> • Do not over-inflate tires. Severe injury can occur if tire explodes. • Damaged or missing components, or replacement parts that do not meet specifications, may result in a safety hazard or poor operation of the trailer.
<p>Attach Trailer to Hitch</p>	<p>Attach trailer to vehicle hitch. Trailer and tongue weights listed in the specification section of the manual. Ensure the towing vehicle is properly equipped to handle the load.</p> <ol style="list-style-type: none"> 1) Attach trailer coupler to the vehicle's class 4 or higher hitch with 2-5/16" ball (only). 2) Ensure trailer is level, with A-frame tow bar parallel to the ground. You may need to adjust your coupler height or purchase the proper hitch to achieve the correct tongue height, so trailer is level. <p>⚠ WARNING: Vehicle handling may be adversely affected while towing if the trailer is not level.</p> <ol style="list-style-type: none"> 3) Adjust coupler to ball by raising locking lever and turning lock nut with fingers. Proper adjustment is obtained when coupler is as tight as possible on ball and locking lever can still be opened and closed. 4) Lock lever closed to secure the attachment. <p>An optional locking pin or padlock may be inserted in the locking lever hole for extra security.</p> 
<p>Attach Safety Cables</p>	<p>Two safety cables must be used while towing. Cross safety cables under the coupler, allowing only enough slack for vehicle turns.</p>
<p>Route Breakaway Switch Cable</p>	<p>Route breakaway switch cable. The breakaway switch is a device that will activate the trailer brakes should the trailer become disconnected from the tow vehicle. A cable is connected to a pin inserted into the breakaway switch. You must route this cable so that it will pull the pin out of the breakaway switch if the trailer begins to separate from the tow vehicle, which in turn will activate the trailer brakes.</p>

Assembly & Initial Set-Up Instructions

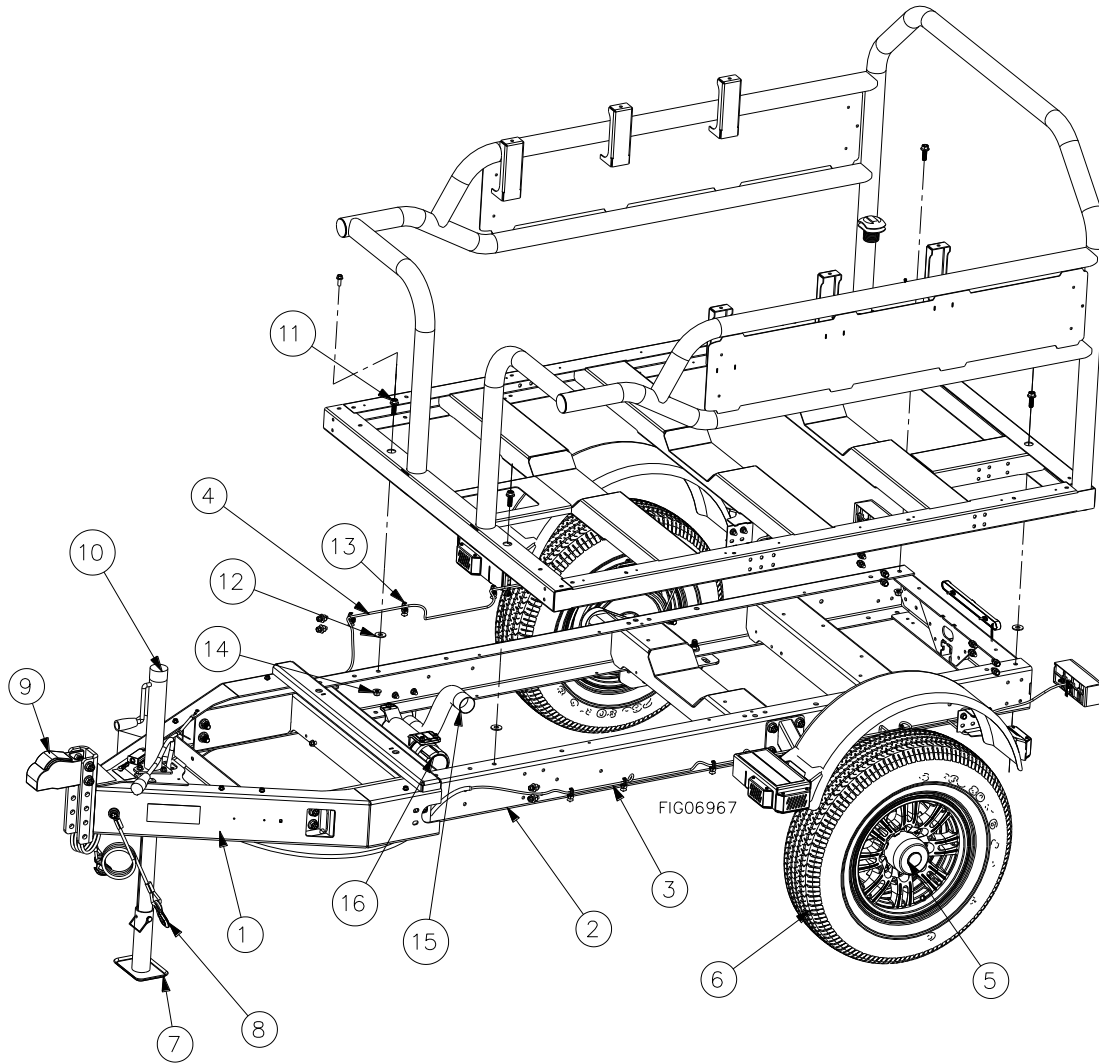
	<ol style="list-style-type: none"> 1) Pull the pin with its attached cable out of the breakaway switch. Note: The other end of the cable is a terminal loop. 2) Route the pin and its attached cable through the safety cable latch-point on the tow vehicle, and then back through its own terminal loop. 3) Reinsert the pin into the breakaway switch. <p>CAUTION Always keep the pin inserted in the breakaway switch, even when not towing. Failure to have the pin inserted will drain your battery. Never use the breakaway switch as a parking brake.</p> <p>Note: An extra pin is attached to the lanyard.</p> 
<p>Plug in Lights/Brakes</p>	<p>Plug 7-way electrical pin connector into vehicle.</p>
<p>Raise the Jack</p>	<p>Always crank the jack into the UP position before towing.</p>
<p>Tow</p>	<p>Tow the trailer to your desired work location. When towing, always adhere to the following safety rules.</p> <ul style="list-style-type: none"> • Read vehicle instructions. Review towing safety instructions in your towing vehicle manual. • Driving skills. Special attention and driving skills are necessary for towing any type of trailer. • Vehicle handling. Be aware that vehicle handling will be affected when towing the filled trailer. Exercise caution to avoid loss of control or trailer overturning: <ul style="list-style-type: none"> ○ Keep speed to a minimum so you can always maintain control. Reduce speed prior to turns. ○ Allow for wider turns and for more distance to stop. ○ Avoid any sudden steering maneuvers, starts, or stops that could create sway. • Rough or sloped terrain. Slow down and exercise extra caution on rough or sloped terrain to reduce risk of rollover. Pick the most level route possible when transporting across fields. Drive up and down slopes that cannot be avoided, rather than across. Use a vehicle equipped with a Roll Over Protection System (ROPS) if you will be operating on non-level terrain. • Added length. Be aware of the added length of the trailer. • Reduced visibility. Be aware that visibility may be reduced with trailer attached. Be extra cautious when backing up or turning. • Ride / transport. Never ride or transport cargo on the trailer. • On public roads. If towing on a public road, make sure to comply with all local, state, and federal towing requirements. It is the sole responsibility of the purchaser to obtain licensing, trailer lights, safety chains, or signage as needed to comply. • Under the influence. Never tow or operate this trailer while under the influence of alcohol, drugs, or medication.
<p>If Leaving Unattended</p>	<p>Turn off the vehicle and block the trailer wheels if leaving the trailer unattended.</p>

Parts Explosion (Fenders and Water Tank Platform)



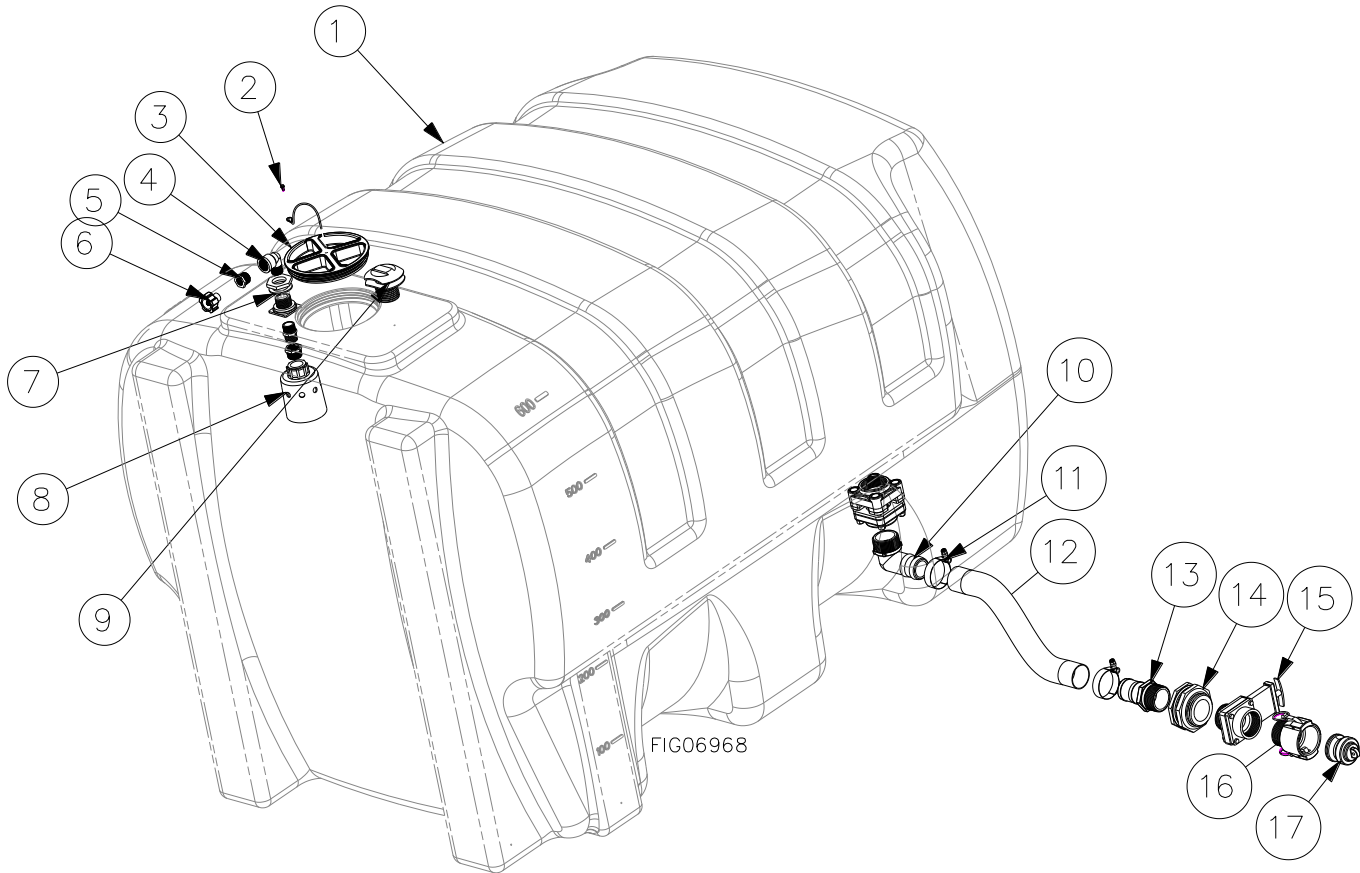
WATER TANK PLATFORM AND FENDERS			
REF#	Part#	Description	Qty.
1	796431	Side Marker Guard	6
2	795193	Side Marker, Amber	4
3	796420	Side Marker Cover	6
4	779647	Tape, Anti-Skid Black	10"
5	795980	Single Fender Weldment, Driver's Side	1
6	795195	Side Marker, Red	2
7	802114	Weldment, 600 Gal. Tank Platform	1
8	82159	Screw, Hex-head Self Tap #8x3/8"	13
9	795192	Trailer Light Kit, Low Profile	1
10	82624	Bolt, 3/8-16 x 1" Hex Head	47
11	82631	Nut, 3/8-16 Hex Head Flange	39
12	795194	Rear LED ID Lamp, 3 Light Bar	1
13	795981	Single Fender Weldment, Passenger Side	1
14	802723	License plate bracket (Not Shown)	1

Parts Explosion (Tongue/Trailer Frame/Water Tank Platform)



Tongue/Trailer Frame/Water Tank Platform			
Ref#	Part#	Description	Qty.
1	794187	Class 4 Tongue Weldment	1
2	802121	Ladder Frame Weldment, 106"	1
3	796013	Wire Harness, 200 Gal. Short	1
4	796014	Wire Harness, 200 Gal. Long	1
5	796652	Hub Cap For 16" 8 On 6.5	2
6	795908	Tire, 16" 8 On 6.5 - 3640	2
7	802705	Foot, Jack Stand 6x4x2	1
8	796691	Safety Cable, Class 4 1000 LBS	1
9	794932	Coupler, 2-5/16 Bolt-On	1
10	796875	Jack, 2000 LB A-Frame	1
11	82627	Bolt, 1/2-13 x 1-1/2" HHFB	6
12	82122	Washer, 1/2" Flat	4
13	793645	Clip, Hose/Wire	16
14	82632	Nut, 1/2-13 Flange	6
15	796644	Hose, 2" Discharge	16"
16	788040	Manual Tube	1

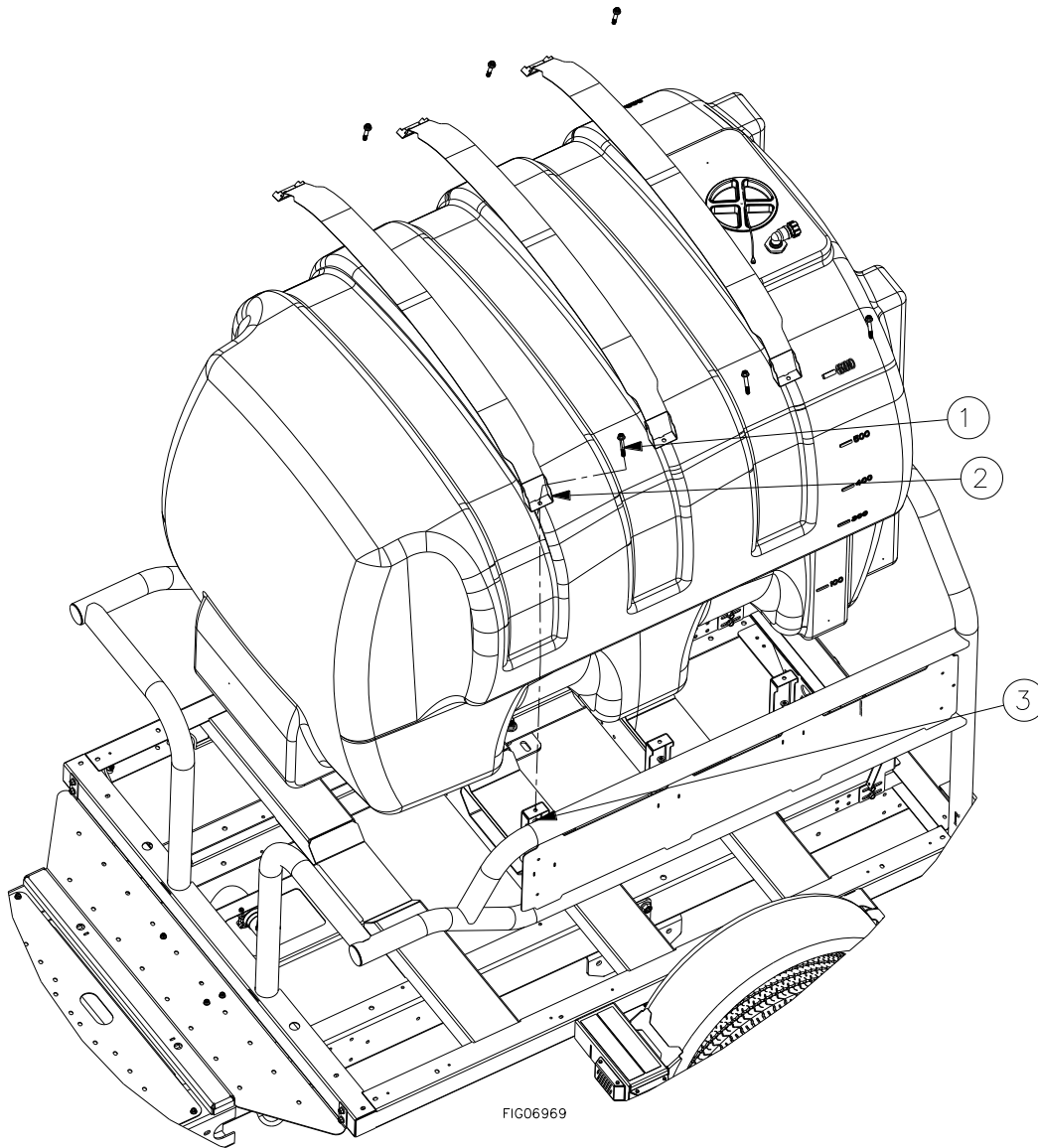
Parts Explosion (Water Tank)



Water Tank/Fittings

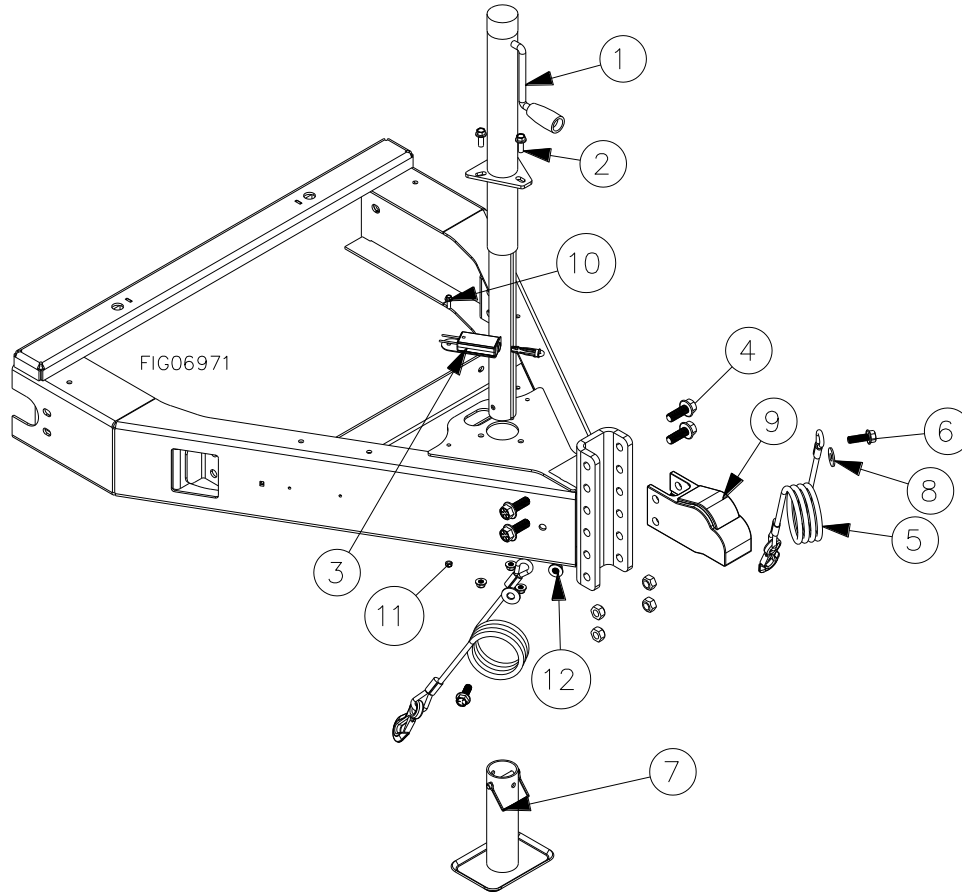
Ref#	Part#	Description	Qty.
1	793165	Tank, 600-gallon	1
2	82159	Screw, #8 x 3/8" self-tapping	1
3	794111	Tank cap w/ tether	1
4	802138	Fitting, 3/4" NPT street elbow	1
5	50CSC128	Fitting, 3/4" x 1/2" NPT reducer	1
6	800783	Fitting, 1/2" NPT x 3/4" FGH w/ washer	1
7	5370	Fitting, 3/4" NPT Bulkhead	1
8	794031	Inlet float valve	1
9	796404	Vent cap	1
10	782718	Fitting, 2" NPT x 2" HB elbow	1
11	782716	Hose clamp	2
12	796644	Hose, 2" discharge	16"
13	782715	Fitting, 2" NPT x 2" HB	1
14	796405	Fitting, 2" Bulkhead	2
15	796350	Fitting, 2" NPT Gate valve	1
16	782719	Fitting, 2" quick connect	1
17	782720	Fitting, 2" quick connect plug	1

Parts Explosion (Water Tank Straps)



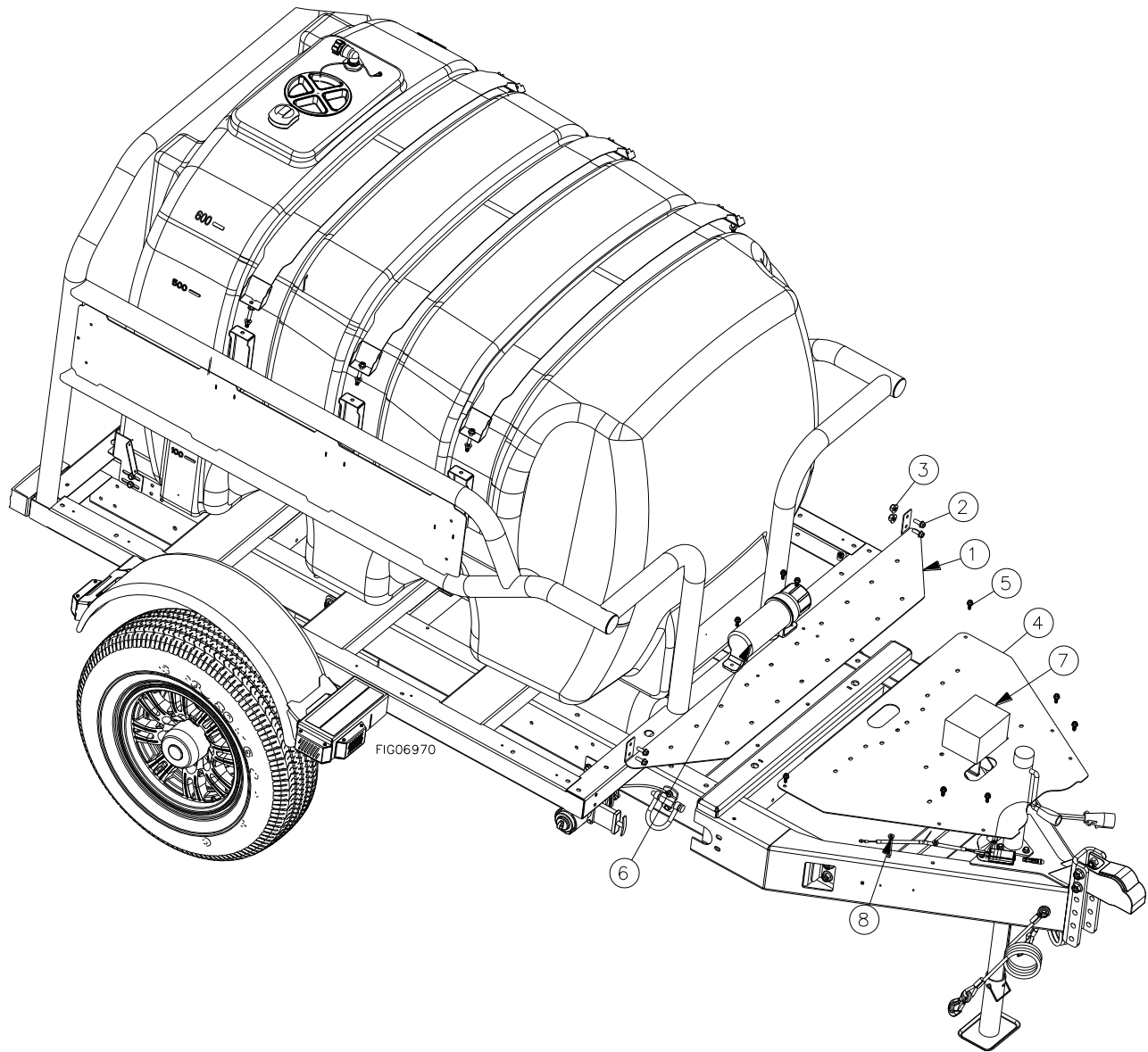
Water Tank Straps			
Ref#	Part#	Description	Qty.
1	82626	Bolt, 3/8"-16 x 2.5" HHFB	6
2	794766	Tank strap	3
3	82631	Nut, 3/8"-16 hex flange nyloc	6

Parts Explosion (Tongue)



Tongue			
Ref#	Part#	Description	Qty.
1	796875	Jack, 2000lb	1
2	82624	Bolt, 3/8"-16 x 1" HHFB	3
3	779699	Breakaway switch	1
4	82664	Bolt, 5/8"-11 x 1.75" HHFB	4
5	796691	Safety cable, class 4	2
6	82627	Bolt, 1/2"-13 x 1.5" HHFB	2
7	802705	Foot, jack stand	1
8	82122	Washer, 1/2" flat	2
9	794932	Coupler, 2-5/16"	1
10	82009	Bolt, 1/4"-20 x 3/4" HHSF	2
11	82222	Nut, 1/4" -20 nyloc	2
12	82632	Nut, 1/2"-13 nyloc	2
13	82631	Nut, 3/8"-16 hex flange nyloc	3
14	82682	Nut, 5/8"-11 nyloc	4

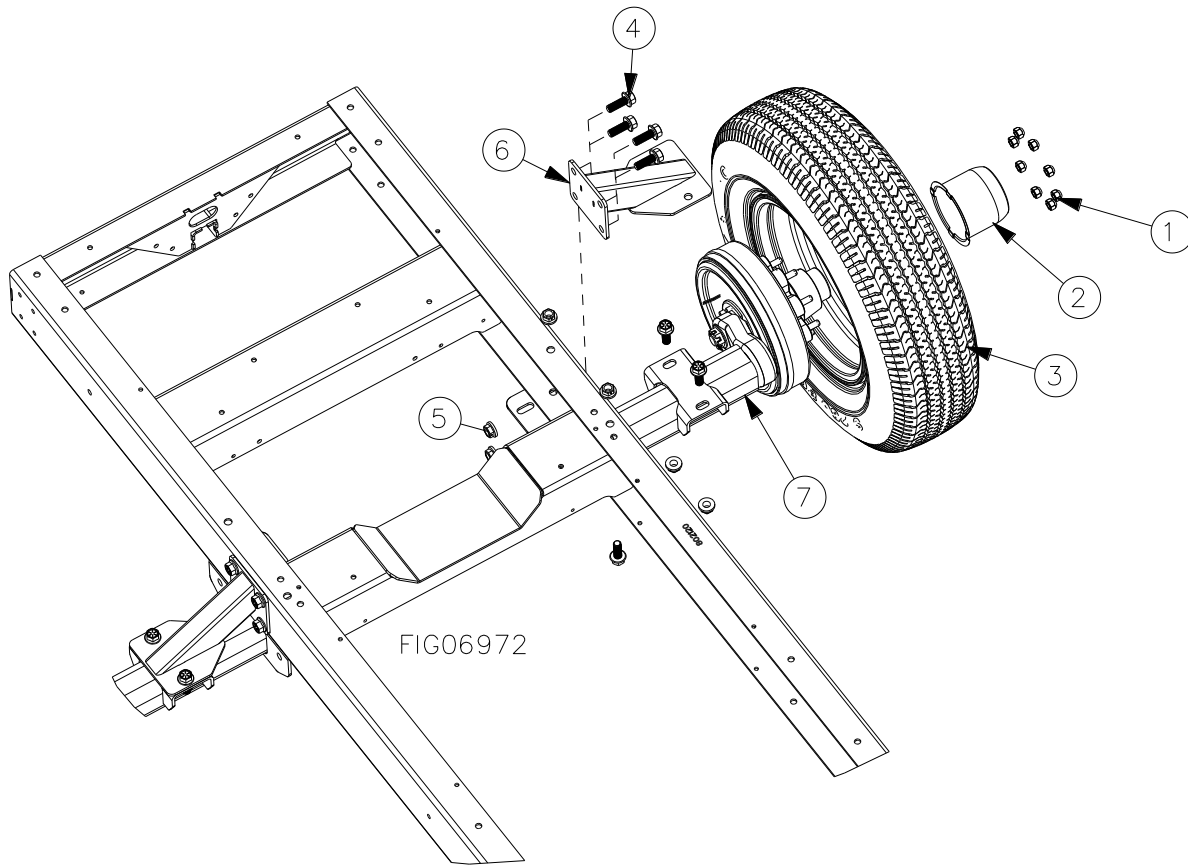
Parts Explosion (Tongue Platform)



Tongue Platform

Ref#	Part#	Description	Qty.
1	802146	Storage platform	1
2	82624	Bolt, 3/8"-16 x 1" HHFB	8
3	82631	Nut, 3/8"-16 nyloc	8
4	802147	Storage platform, tongue	1
5	82621	Bolt, 5/16" x 3/4" HHFB	9
6	788040	Manual tube	1
7	802704	Breakaway box	1
8	82630	Nut, 5/16" nyloc	9

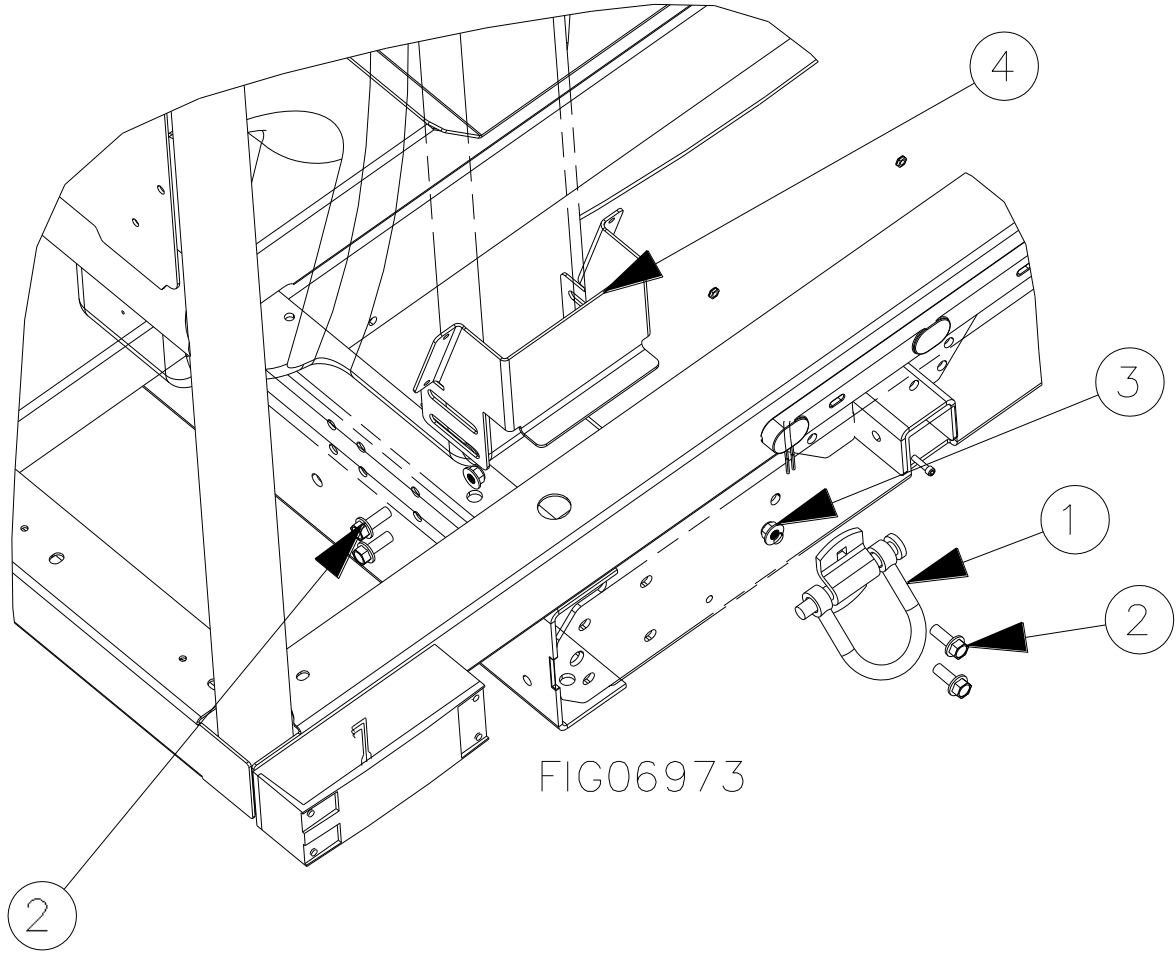
Parts Explosion (Axle)



Axle

Ref#	Part#	Description	Qty.
1	82521	Lug nut	16
2	796652	Hub cap	2
3	795908	Wheel, 16"	2
4	82664	Bolt, 5/8"-11 x 1.75" HHFB	12
5	82288	Nut, 5/8"-11 flange locknut	12
6	794935	Axle brace	2
7	794931	Axle	1

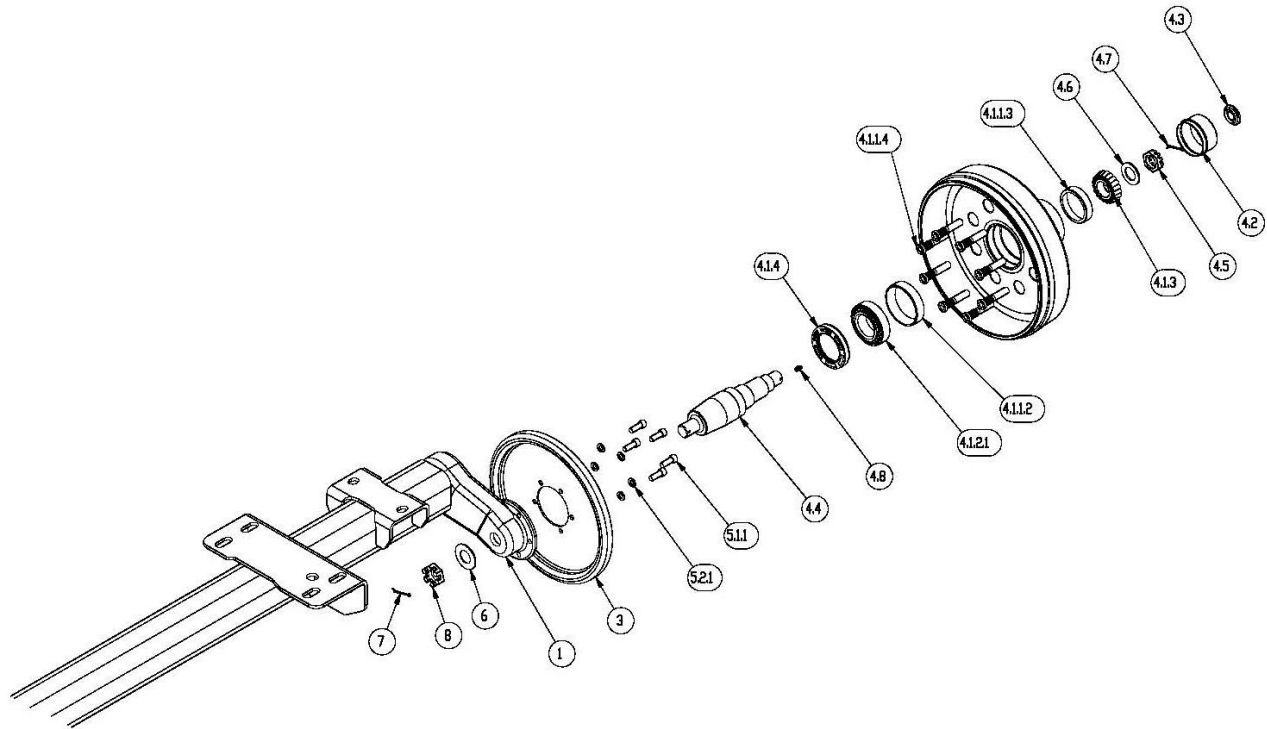
Parts Explosion (Tank Snugger and D-Hook)



Tank Snugger and D-Ring

Ref#	Part#	Description	Qty.
1	798566	Tie-down D-ring	4
2	82624	Bolt, 3/8"-16 x 1" HHFB	16
3	82631	Nut, 3/8"-16 nyloc	16
4	794878	Tank snugger	2

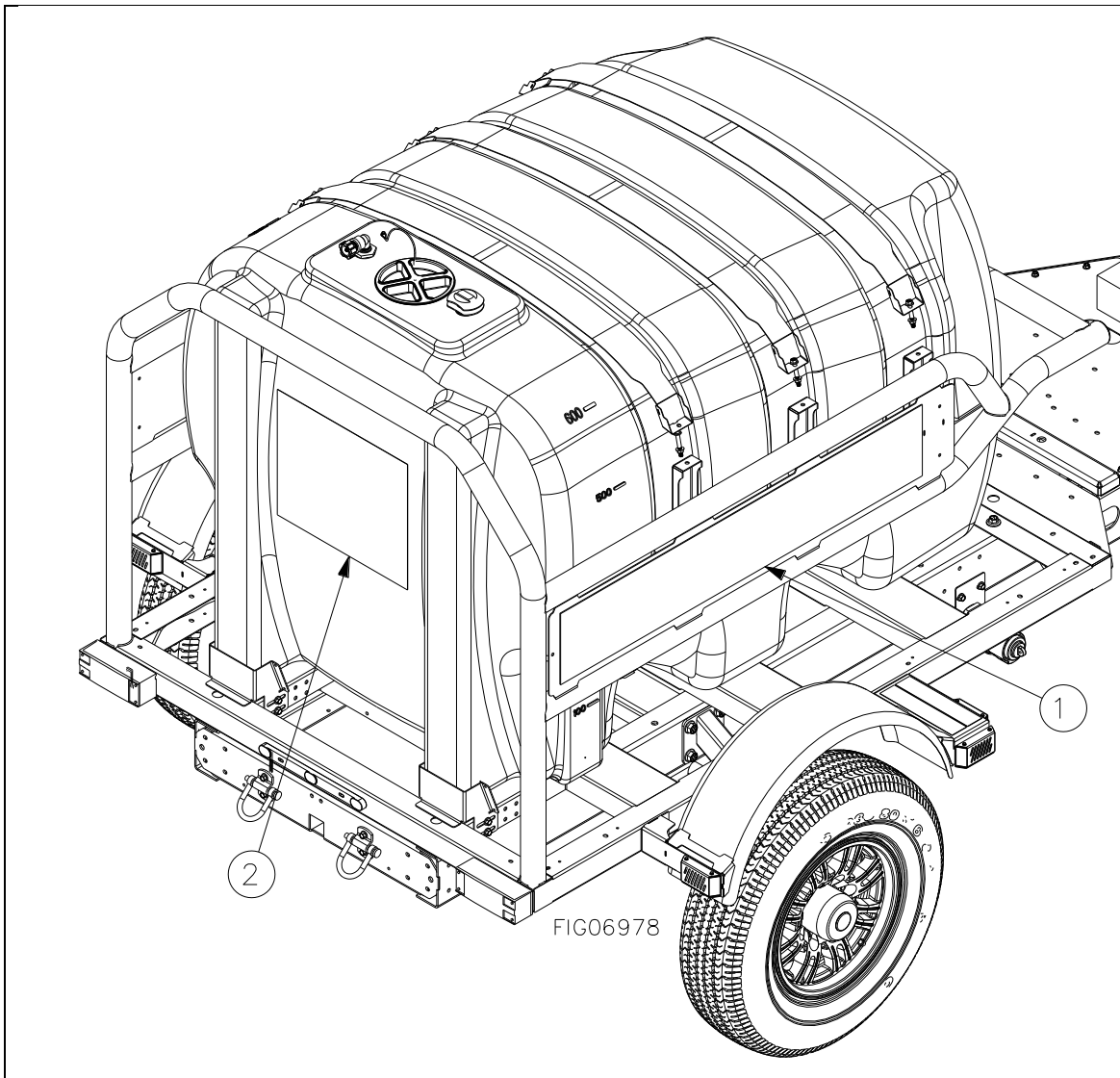
Parts Explosion (Axle Breakdown)



AXLE BREAKDOWN (PART# 794931)

Ref. #	Part #	Description	Qty.
1	794931	Axle, torsion 7200lb.	1
2	798723	Brake Electric, 12 x 2 7K Right Hand (not shown)	1
3	798724	Brake Electric, 12 x 2 7K Left Hand	1
4	799463	Torsion End Unit Drum Hub 12IN., 8-Lug	2
4.1	799464	Drum hub 12In., 8-lug, bearings, grease seal	2
4.1.1	799465	Drum hub 12In., 8-lug, studs, cups	2
4.1.1.1	N/A	Drum hub 12In., 8-lug	2
4.1.1.2	798707	Bearing cup, 25520	2
4.1.1.3	799466	Bearing cup, 14276	2
4.1.1.4	798708	Stud, 1/2-20 x 2.00 OAL w/ .39 x .617 Knurl	8
4.1.2.1	798731	Bearing cone, L25580	2
4.1.3	799487	Bearing Cone 14125A	2
4.1.4	798732	Seal, triple lip 2.250	2
4.2	799468	Dust Cap, x large S/L	2
4.3	799469	Grommet dust Cap	2
4.4	798734	Spindle, 3000 lb. Torsion	2
4.5	798714	Castle nut, 1-14 UND 2B, 12 slot	2
4.6	798715	Washer flat, 1.0 black	2
4.7	798716	Cotter Pin, 5/32 x 2.00 Zinc	2
4.8	798717	Grease zerk, body only	2
5.1.1	798718	Screw, 3/8-24 x 1.0 Zinc	10
5.2.1	798735	Washer, 3/8" split lock, galvanized	10
6	798720	Washer, spring, 1.0 ID x 2.0 Dacromet	2
7	798728	Pin, cotter 5/32 x 2.00 stainless	2
8	798721	Nut, castle 1-14 2b, 6 slot	2

Branding Decal Locations



TRAILER DECAL LOCATION (FIG.06505)

<u>Ref. #</u>	<u>Part #</u>	<u>Description</u>	<u>Qty.</u>
1	802182	Decal, 600 Gallon Billboard	2
2	802183	Decal, Water Tank Back	1

Summary of Important Safety Information

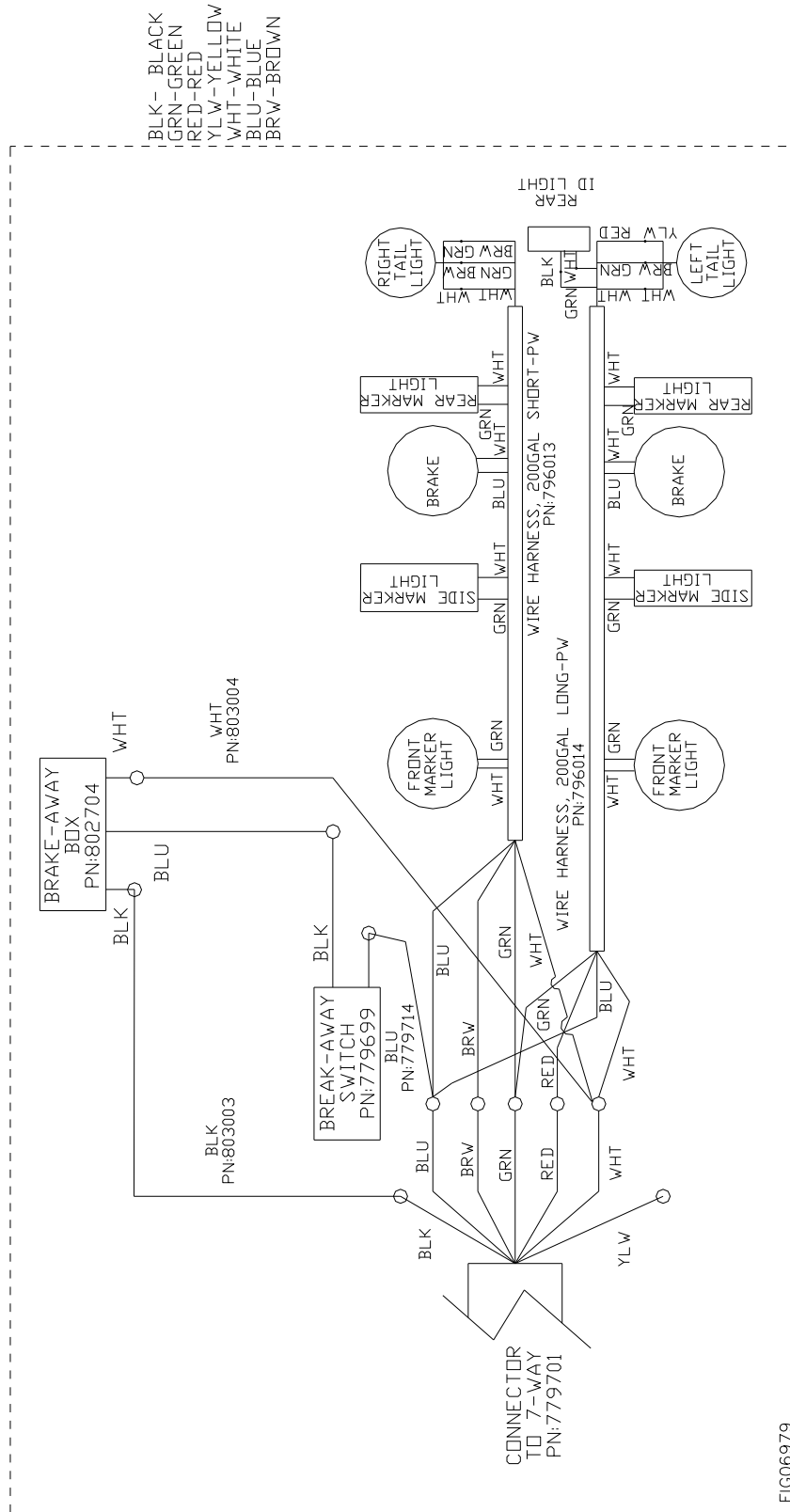


FIG06979

Summary of Important Safety Information

This section provides a summary of the various safety procedures and measures that have been presented throughout the manual. Keep this summary handy and refer to it to refresh your memory about how to safely use your trailer.

⚠ DANGER

Carefully read and follow all instructions and safety information for using this trailer. Improper use or maintenance of the trailer can result in **serious injury or death** to the operator or bystanders.

GENERAL

- **Read all instructions.** Read and understand this owner's manual completely before attempting to set-up and use the trailer. Serious injury or death can result if safety and other instructions are not followed.
- **Instruct all operators.** The owner must instruct all operators and potential renters in safe set-up and operation. Do not allow anyone to operate who has not read the Owner's Manual and been instructed on its safe use. Owner's Manuals are available from North Star at 1-800-969-7073.
- **Adult control only.** Only trained adults should set up and operate the trailer. Do not let children operate.
- **Under the influence.** Never operate, or let anyone else operate, the trailer while fatigued or under the influence of alcohol, drugs, or medication.
- **Understand intended use.** Carefully read about and understand the intended use of this trailer. Do not use for other purposes, as unforeseen hazards or equipment damage may result.

PROHIBITION AGAINST MODIFICATIONS

Never modify or alter the trailer in any way or deactivate any safety device. Modifications can create serious safety hazards and will also void the warranty.

SAFETY – INSTALLATION & SET-UP

- **Level surface.** Situate trailer on a firm and level surface. Ensure it sits level and will not slide or shift during operation. Block wheels to prevent movement.

SAFETY – OPERATION

- **Review safety rules.** Before each use, review the "Rules for Safe Operation." Failure to follow these rules may result in serious injury or death.
- **Know how to stop.** Be thoroughly familiar with proper use of the equipment and all controls and connections. Know how to stop trailer quickly if needed.
- **Check/maintain trailer before each use.** Check tire air pressure before use.
- **Position safely.** Place trailer on firm, level ground to prevent accidental falls and equipment tip-over.
- **Clear work area.** Clear work area of all bystanders. Keep children and pets away.
- **Wear non-slip footwear.** Use of trailer can create puddles and slippery surfaces. Wear footwear capable of maintaining a good grip on wet surfaces.

Safety - Inspection/Maintenance

Inspect and maintain your trailer on a regular basis and repair as needed to keep it in safe working condition:

- **Replacement parts.** If a part needs replacement, only use factory approved repair parts. Replacement parts that do not meet specifications may result in a safety hazard or poor operation of the trailer and will void the warranty.

Limited Warranty

Dear Valued Customer:

The NorthStar ProSHOT Product you just purchased is built with the finest material and craftsmanship. Use this product properly and enjoy the benefits from its high performance. By purchasing a NorthStar ProSHOT product, you show a desire for quality and durability. Like all mechanical equipment this unit requires a due amount of care. Treat this unit like the high-quality piece of machinery it is. Neglect and improper handling may impair its performance. Please thoroughly read the instructions and understand the operation before using your product. Always contact NorthStar ProSHOT Product Support at 1-800-969-7073 prior to having any service or warranty work performed, as some services performed by parties other than NorthStar ProSHOT approved service centers may void this warranty. This warranty is in lieu of any other warranty expressed or implied and NorthStar ProSHOT assumes no other responsibility or liability outside that expressed within this warranty.

Limited Warranty

NorthStar ProSHOT shall warranty any piece of equipment manufactured, or parts of equipment manufactured, to be free from defects in material or workmanship for a period of:

Item	Commercial/Consumer Warranty	Details
Structural Steel Components	8 years from date of purchase	NorthStar ProSHOT shall warranty structural steel components from failure for a period of 8 years from the date of purchase by user. Structural steel parts include but are not limited to, roll cage, chassis, fenders, bumper, tongue, and tank platform.
NorthStar ProSHOT	2 years from date of purchase	The Balance of the machine less the other specific warranties mentioned.
Normal Wear Items	90 days from date of purchase	In addition to the normal warranty, NorthStar ProSHOT shall warrant any normal wear item from defects in material or workmanship for a period of 90 days from the date of purchase by user. Normal wear items include, but are not limited to, fittings, hoses, filter elements, tires, and brakes

“Consumer use” means personal residential household use by a consumer. “Commercial use” means all other uses, including use for commercial, income producing or rental purposes or when purchased by a business.

This warranty applies to the original purchaser of the equipment (verification of purchase, in the form of a receipt, is the responsibility of the buyer), is non-transferable, and covers parts and labor. Parts will be replaced or repaired at no charge, except when the equipment has failed due to lack of proper maintenance. If a part is no longer available, the part may be replaced with a similar part of equal function. Any misuse, abuse, alteration or improper installation or operations will void warranty. Determining whether a part is to be replaced or repaired is the sole decision of NorthStar ProSHOT. NorthStar ProSHOT will not provide for replacement of complete products due to defective parts. Any costs incurred due to replacement or repair of items outside of a NorthStar ProSHOT approved facility is the responsibility of the buyer and not covered under warranty. Transportation costs to and from service center is the responsibility of the customer.

This warranty specifically excludes the following; failure of parts due to damage caused by accident, fire, flood, windstorm, acts of God, applications not approved by NorthStar ProSHOT in writing, corrosion caused by chemicals, use of replacement parts which do not conform to manufacturer’s specifications, damage related to the use of biodiesel fuel, damage to accessory parts such as starting batteries, damage related to rodent and/or insect infestation, Damage caused by freezing and damage caused by vandalism. Additional exclusions: loss of running time, inconvenience, loss of income, or loss of use, including any implied warranty of merchantability of fitness for a specific use. Also, Outdoor Power Equipment needs periodic parts and service to perform well, and this warranty does not cover instances when normal use has exhausted the life of a component or the engine.

This warranty does not cover any personal injury or damage to surrounding property caused by failure of any part. Repair or replacement of parts does not extend the warranty period.

Limited Warranty

Normal burner maintenance such as cleaning and adjusting electrodes, descaling the coil, desooting the coil, air adjustments, fuel system cleaning and obstruction due to build up is not covered by this NorthStar ProSHOT warranty.

The engine warranty is covered under the terms and conditions as outlined by the engine manufactures warranty contained herein and is the sole responsibility of the engine manufacture. Normal engine maintenance such as spark plugs, air filters, adjustments, fuel system cleaning and obstruction due to build up is not covered by this NorthStar ProSHOT warranty.

Please fill in the following information and have it on hand when you call in on a warranty claim.

Customer Number: _____

Date of Purchase: _____

NorthStar ProSHOT Serial Number: _____

Item Number: _____

⚠️ WARNING: This product can expose you to chemicals including gasoline engine exhaust, which is known to the State of California to cause cancer, and carbon monoxide, which is known to the State of California to cause birth defects or other reproductive harm.

For more information go to www.P65Warnings.ca.gov.

**NORTH
STAR**
Proven Performance

PROSHOT
|||

Manufactured by
Northern Tool + Equipment Co., Inc.
Burnsville, MN 55306
NorthernTool.com