



M99922J

ITEM NUMBER: 99922

SERIAL NUMBER: _____

Owner's Manual

Instructions for Assembly, Testing, Operation, Servicing, and Storage

ATV Mounted Boom Sprayer: For outdoor use with agricultural pesticides and other liquids**

WARNING

READ and UNDERSTAND the Owner's Manual completely before using this sprayer.

Assemble, test, and use only in accordance with the Owner's Manual instructions.

READ and FOLLOW chemical label instructions. Pesticides are hazardous chemicals.

KNOW emergency procedures BEFORE handling chemicals. Sprayer leaks, bodily chemical contact, poisoning, and spills require immediate response.

AVOID inhaling, ingesting, or coming into contact with any chemicals.

WEAR personal protective gear when filling, using, cleaning, and servicing the sprayer.

KEEP sprayer and spray materials away from children and pets. Pesticides are especially toxic to them.

EXERCISE CAUTION in ATV vehicle handling and do not exceed 5 MPH. ATV will be less stable and handle very differently with filled sprayer attached.

DO NOT TURN ON POWER to sprayer until ready to spray in order to avoid unintentional spray release.

ALWAYS keep a fire extinguisher rated "ABC" nearby.

Improper use of the sprayer or handling of chemicals could result in serious injury or illness to the operator or nearby persons/animals, or could cause damage to the environment.

**This sprayer is recommended for use in spraying non-flammable liquids such as pesticides and water for plants/trees. The sprayer will be damaged and warranty voided if used to apply bleach, chlorine, ice control chemicals, or any petroleum based product (gasoline, diesel, kerosene, oil). The sprayer should not be used to transfer any product intended for human consumption. WE RECOMMEND THAT THE SPRAYER NOT BE USED FOR OTHER PURPOSES ONCE IT HAS BEEN USED FOR SPRAYING PESTICIDES. Any chemical will leave some residual in the tank liner or sprayer components, even after the sprayer has been properly cleaned. These residual chemicals can have unexpected effects on future uses. For example, spraying water or other liquids that are contaminated with residual pesticide may result in unforeseen hazards to plant or animal life. This sprayer should not be used by people with reduced physical, sensory or mental capabilities or lack of experience and knowledge

Any Questions, Comments, Problems, or Parts Orders

Call NorthStar Product Support 1-800-270-0810



Hazard Signal Word Definitions






	<p>This is the safety alert symbol. It is used to alert you to potential personal injury hazards. Obey all safety messages that follow this symbol to avoid possible injury or death.</p>
	<p>DANGER (red) indicates an imminently hazardous situation which, if not avoided, will result in death or serious injury.</p>
	<p>WARNING (orange) indicates a potentially hazardous situation which, if not avoided, could result in death or serious injury.</p>
	<p>CAUTION (yellow) indicates a potentially hazardous situation which, if not avoided, may result in minor or moderate injury.</p>
	<p>CAUTION (yellow) used without the safety alert symbol indicates a potentially hazardous situation which, if not avoided, may result in property damage.</p>

fig01453

Table of Contents

Intended Use	4
Summary of Important Safety Information	5
During Assembly	
During Operation	
• General Chemical Safety	
• Chemical Application Safety	
• ATV Vehicle Handling Safety	
• Chemical Accident Procedures	
Warning Label Locations	7
Component Inventory	
Unpacking	8
Unpacking the Manual Bag	9
Assembly	
Step One: Install regulator assembly	10
Step Two: Install handles	11
Step Three: Install gun clips	12
Step Four: Install hose wrap	13
Step Five: Route the hose through gun clips	14
Step Six: Install boom tank mounts to bottom of tank	15
Step Seven: Install boom vertical mounts to boom tank mount	16
Step Eight: Install boom assembly to boom vertical mounts	17
Step Nine: Attach boom supply hose to sprayer	18
Step Ten: Attach sprayer to vehicle	19
Step Eleven: Connect power cords to vehicle battery	20
Step Twelve: Check and test completed assembly	22
Machine Components	23
Operation	
Important Safety Information - Operation	25
• General Chemical Safety	
• Chemical Application Safety	
• ATV Vehicle Handling Safety	
• Chemical Accident Procedures	
Preparing the Sprayer for Each Use	29
Using the Sprayer	
Step One: Assess wind conditions and clear work area	30
Step Two: Fill the sprayer	31
Step Three: Operate the sprayer	33
Step Four: Clean sprayer and decontaminate after use	37
Storage	38
Preparing for storage	
Removing from storage	
Troubleshooting	39
Specifications	40
Parts Breakdown – Exploded View	41-42
Pump Breakdown – Exploded View	43
Appendix A: Boom Spray Calibration Tables	44
Limited Warranty	45

Intended Use

The sprayer is intended for use in spraying agricultural pesticides.

SPRAYING PESTICIDES:

Pesticides are hazardous chemicals that must be handled with caution as directed throughout this manual and on the pesticide label. Pesticides are regulated by the United States Environmental Protection Agency (EPA) and defined as:

Any substance or mixture of substances intended for preventing, destroying, repelling, or mitigating any pest. Though often misunderstood to refer only to insecticides, the term pesticide is a comprehensive term that applies to insecticides, herbicides, fungicides, and various other substances used to control pests.

The sprayer is intended for use in spraying pesticides in liquid form only. The sprayer is NOT intended for use in spraying pesticides in dry or aerosolized form, or for use with fumigants.

Some formulations of liquid pesticides do not remain in solution and should be agitated to maintain a uniform mix. A **Pressure regulator/agitator** is included with this sprayer and should be used when spraying pesticides classified as "flowable" ("F" or "L"), "wettable powder" ("WP" or "W"), "emulsion" ("EC" or "E"), "microencapsulated" ("M"), or water dispersible granules ("WDG" or "DF"). (See pesticide label to determine its classification.)

This sprayer comes equipped with a spot spray gun and a broadcast boom. Use the spot spray gun if you desire to apply pesticide only on selected plants. Use the broadcast boom if you wish to spray large ground areas.

SPRAYING OTHER LIQUIDS:

In addition to spraying pesticides, this sprayer may be used for watering plants and trees. **WE RECOMMEND THAT THE SPRAYER NOT BE USED FOR OTHER PURPOSES ONCE IT HAS ALREADY BEEN USED FOR SPRAYING PESTICIDES.** Any chemical will leave some residual in the tank liner or sprayer components, even after the sprayer has been properly cleaned. These residual chemicals can have unexpected effects on future uses. For example, spraying water or other liquids that are contaminated with residual pesticide may result in unforeseen hazards to plant or animal life.

NOTE: The sprayer will be damaged and warranty voided if used to apply bleach, chlorine, ice control chemicals, or any petroleum based product (gasoline, diesel, kerosene, oil).

Summary of Important Safety Information

WARNING

Read and understand **this owner's manual** completely before using the sprayer. Read each **chemical label's instructions** before handling the chemical.

Improper use of the sprayer or handling of chemicals could result in serious injury or illness for the operator or nearby persons/animals, or cause damage to the environment.

LISTED BELOW is a summary of safety information of particular importance. See individual sections of this owner's manual for more details.

----- DURING ASSEMBLY -----

- **EXERCISE CAUTION** when attaching remote switch to battery terminals. Follow the steps listed in the Assembly section of this manual in *exact sequence* when connecting the sprayer's remote switch battery clamps to the battery terminals. *Caution must be exercised to avoid contact with battery acid and to prevent sparking.*
- **CHECK and TEST completed assembly** as directed in this manual. Serious injury could result from chemical leaks if sprayer is improperly assembled.
- **DO NOT MODIFY** sprayer design.

----- DURING OPERATION -----

General Chemical Safety

- **READ and FOLLOW** each chemical label's instructions and warnings.
- **AVOID inhaling, ingesting, or coming into contact with any chemicals.**
- **KNOW applicable licensing and regulatory requirements** for the chemical you plan to use.
- **KNOW emergency procedures before handling chemicals.** Carefully review "Chemical Accident Procedures" listed below and later in this manual. Also see First Aid instructions on the chemical label.
- **WEAR protective clothing, eye protection, and chemical resistant gloves** when filling, using and cleaning the sprayer. Wear additional protective gear, such as facemask or apron, as recommended on the chemical label.
- **EXERCISE EXTRA CAUTION around children and pets.** Pesticides are especially toxic to them. Keep sprayer and spray materials away from them at all times.
- **DO NOT MIX OR POUR chemicals in an enclosed, unventilated area**
- **DO NOT USE flammable or corrosive chemicals** in the sprayer.
- **FLUSH the sprayer before switching chemicals** in order to prevent dangerous chemical interactions.
- **STORE pesticides in a correctly labeled container and in a secure location.**
- **MONITOR the health of operators frequently exposed to pesticides**, as recommended by the chemical label or local/federal regulations.

Chemical Application Safety

Before Spraying

- **INSPECT and PREPARE** sprayer before each use as directed in this manual.
- **DO NOT TURN ON POWER to sprayer until ready to spray** in order to avoid unintentional spray release.
- **MAKE SURE BOOM NOZZLES ARE ORIENTED to spray straight down** before starting the sprayer. An incorrectly positioned boom nozzle may spray chemicals on you or others.
- **DO NOT SPRAY when wind speed exceeds 4 MPH** in order to minimize spray drift.
- **CLEAR work area of people/ pets and POST warning notices** to restrict access for the period recommended on chemical label.
- **KEEP sprayer and spray materials away from children/pets.** Pesticides can be especially toxic to children and animals.
- **DO NOT ALLOW anyone younger than 16 to operate sprayer** since pesticides are especially toxic to children.

During Spraying

- **DO NOT OVERAPPLY pesticide.** Apply at rate recommended by chemical manufacturer. Excess pesticide can be dangerous to humans/animals, damage desirable plants, and contaminate soil and water sources.
- **DO NOT EAT, DRINK, SMOKE, RUB YOUR EYES, or TOUCH YOUR BARE SKIN while handling chemicals and spraying.**

Summary of Important Safety Information (continued)

- **NEVER POINT THE SPRAY GUN at people or animals.**
- **EXERCISE EXTRA CAUTION when spraying near areas accessible to children and pets.**
- **CLEAN up spills immediately** per instructions on the chemical label.
- **TURN OFF vehicle and set brake or block wheels, TURN OFF power to sprayer, and RELIEVE system pressure** before leaving sprayer unattended.
- **SEE Troubleshooting section of this manual before attempting any repairs.** Wear personal protective equipment and follow safety instructions.

After Spraying

- **CLEAN sprayer immediately after use** according to the directions provided in this manual.
- **DECONTAMINATE yourself after you are done spraying** and have cleaned the sprayer. Wash all exposed areas of the body with soap and water, and remove and launder clothing.
- **DISPOSE OF or STORE remaining chemicals in secure storage with correctly marked container.**

ATV Vehicle Handling Safety

- **DO NOT ALLOW drivers younger than 16** to operate ATV with sprayer attached.
- **EXERCISE SPECIAL CAUTION in ATV vehicle handling and DO NOT exceed 5 MPH.** ATV will be less stable and perform very differently with filled sprayer attached. Exercise particular caution on sloped or rough surfaces to avoid rollover. Use a vehicle equipped with rollover protection for use on non-level terrain.
- **DO NOT RIDE or TRANSPORT cargo on the sprayer.**

Chemical accident procedures

Immediate response is necessary in the event of sprayer leaks, bodily chemical contact, poisoning, or spills. See instructions below:

Sprayer leak	If the sprayer develops a leak, <i>immediately stop spraying.</i> Turn off power to the sprayer and follow directions below, as applicable.
Bodily chemical contact	<p>Personal contamination can occur when chemicals splash, spill, or spray directly onto a person.</p> <ol style="list-style-type: none"> 1. Immediately follow First Aid instructions on <u>chemical label</u>. <u>General procedures can include:</u> <ol style="list-style-type: none"> a) Eyes – immediately flush with water. b) Skin – wash all contaminated skin surfaces with soap and water. c) Clothing – remove contaminated clothing. Dispose of heavily contaminated clothing per chemical label instructions. 2. Seek medical advice if instructed on the label or the victim experiences symptoms of harmful effects. Bring the chemical label for reference.
Poisoning by ingestion or inhalation	<p>In case of poisoning from ingestion or inhalation:</p> <p><i>If the victim has collapsed or is not breathing, call 911.</i> Otherwise:</p> <ol style="list-style-type: none"> 1. If you are the victim, immediately seek assistance from nearby personnel because you may become incapacitated. 2. Immediately follow first aid instructions on <u>chemical label</u>. 3. Call a poison control center for further advice. In the U.S., call 1-800-222-1222. Have the chemical label available for reference.
Chemical spills	<p>Chemical spills must be quickly contained and properly cleaned up.</p> <p>Refer to the chemical label for any specific clean-up instructions.</p> <p><u>General procedures include:</u></p> <ol style="list-style-type: none"> 1. Controlling the spill by stopping the source of the spill. 2. Containing the spill so that it does not spread and get into water sources. 3. Cleaning up the spill immediately. 4. Seeking additional advice from: <ul style="list-style-type: none"> - <u>Chemical manufacturer.</u> See chemical label for contact information. - <u>State pesticide regulatory agency.</u> In the U.S., call the National Pesticide Info. Ctr. at 800-858-7378 for assistance in contacting your state's agency.

Warning Label Location

⚠ WARNING

READ and UNDERSTAND the Owner's Manual completely before using this sprayer.
 Assemble, test, and use only in accordance with the Owner's Manual instructions.

READ and FOLLOW chemical label instructions. Pesticides are hazardous chemicals.

KNOW emergency procedures BEFORE handling chemicals. Sprayer leaks, bodily chemical contact, poisoning, and spills require immediate response.

AVOID inhaling, ingesting, or coming into contact with any chemicals.

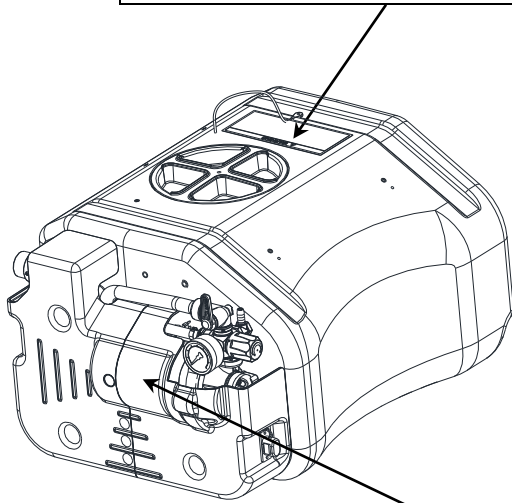
WEAR personal protective gear when filling, using, cleaning, and servicing the sprayer.

EXERCISE CAUTION in vehicle handling. Vehicle will be less stable and handle very differently with filled sprayer attached.

DO NOT TURN ON POWER to sprayer until ready to spray in order to avoid unintentional spray release.

DO NOT LIFT sprayer unless tank is empty.

Improper use of the sprayer or handling of chemicals could result in serious injury or illness to the operator or nearby persons/animals, or could cause damage to the environment.

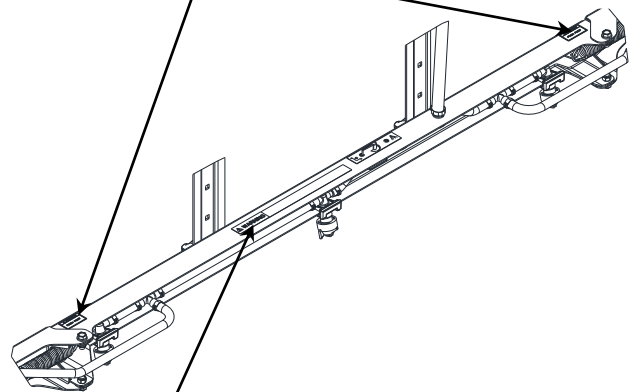


⚠ WARNING

- DO NOT PUMP FLAMMABLE OR CHLORINE-BASED FLUIDS
- DO NOT USE PUMP IN AN EXPLOSIVE ENVIRONMENT
- RELIEVE SYSTEM PRESSURE BEFORE PERFORMING MAINTENANCE

⚠ CAUTION

PINCH POINT
 Keep hands clear during operation.



Part#	Description
777499	Chemical Label
798891	NSQ Series 5562Q
798894	Boom Chemical Label
798567	Pinch Point Label

⚠ WARNING DO NOT SPRAY flammable fluids. RELIEVE SYSTEM PRESSURE before performing any maintenance. READ and FOLLOW chemical label instructions. Pesticides are hazardous chemicals which must be handled carefully. EXERCISE CAUTION in vehicle handling. Vehicle will be less stable and handle very differently with filled sprayer and boom attached. DO NOT TURN ON power to sprayer until ready to spray in order to avoid inadvertent spray release. ALWAYS keep the work area clear of people and pets. Part No. 798894

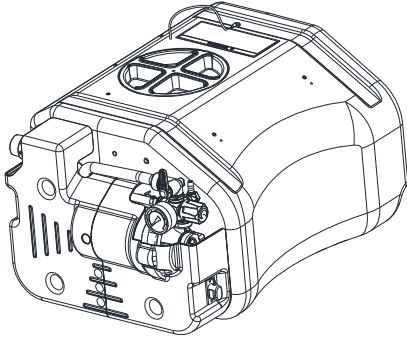
Always make sure safety labels are in place and in good condition. If a safety label is missing or not legible, order new labels or unsafe operation could result.
To order replacement safety labels, call NorthStar Product Support at 1-800-270-0810.

Unpacking

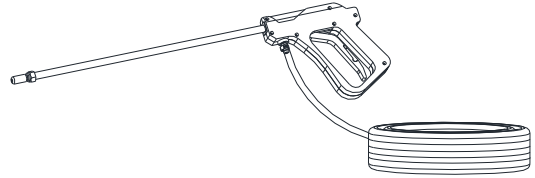
Closely inspect all contents in the shipping carton.

Note that some parts are shipped inside the tank.

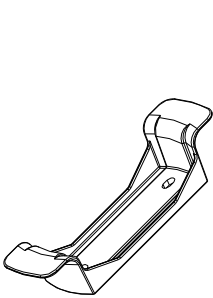
- If you have missing or damaged components, please contact NorthStar Product Support at 1-800-270-0810.



Sprayer
(Qty 1)



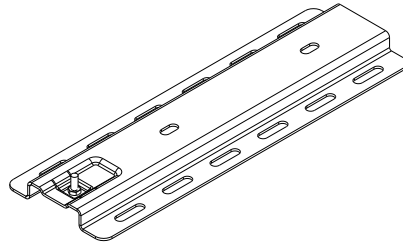
Spray Gun and Hose
(Qty 1)



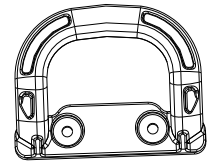
Hose Wrap
798514
(Qty 1)



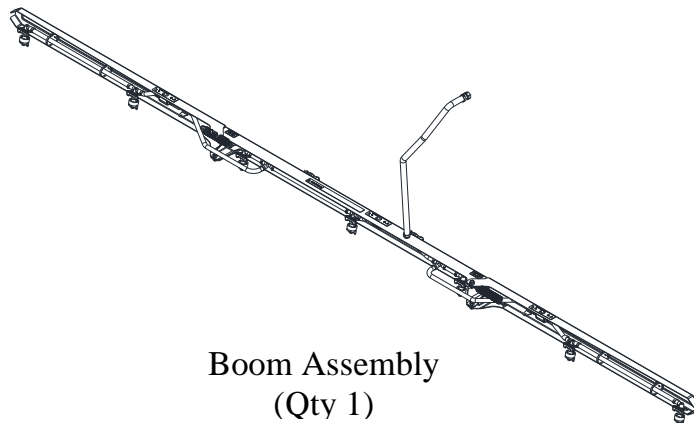
Boom Mount
798537
(Qty 2)



Tank Mount
798538
(Qty 2)



Handle
798525
(Qty 2)



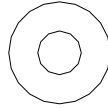
Boom Assembly
(Qty 1)

Unpacking the Manual Bag

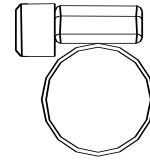
The following items are found in the manual bag.



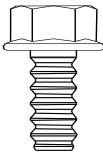
Gun Clip
798480
(Qty 2)



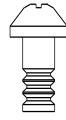
5/16" USS Flat
Washer
82021
(Qty 10)



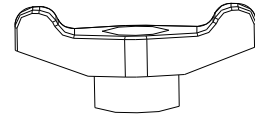
3/8" Hose Clamp
30746
(Qty 1)



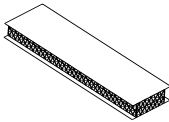
5/16" x 3/4" Bolt
82015
(Qty 10)



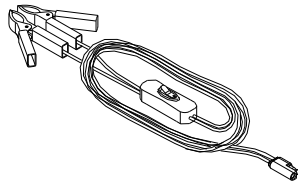
#10-24 x 1/2" screw
82059
(Qty 2)



Locking Knob
38578
(Qty 4)



Hook & Loop Set
35363
(Qty 1)



Wire harness
w/switch
797599
(Qty 1)

Assembly

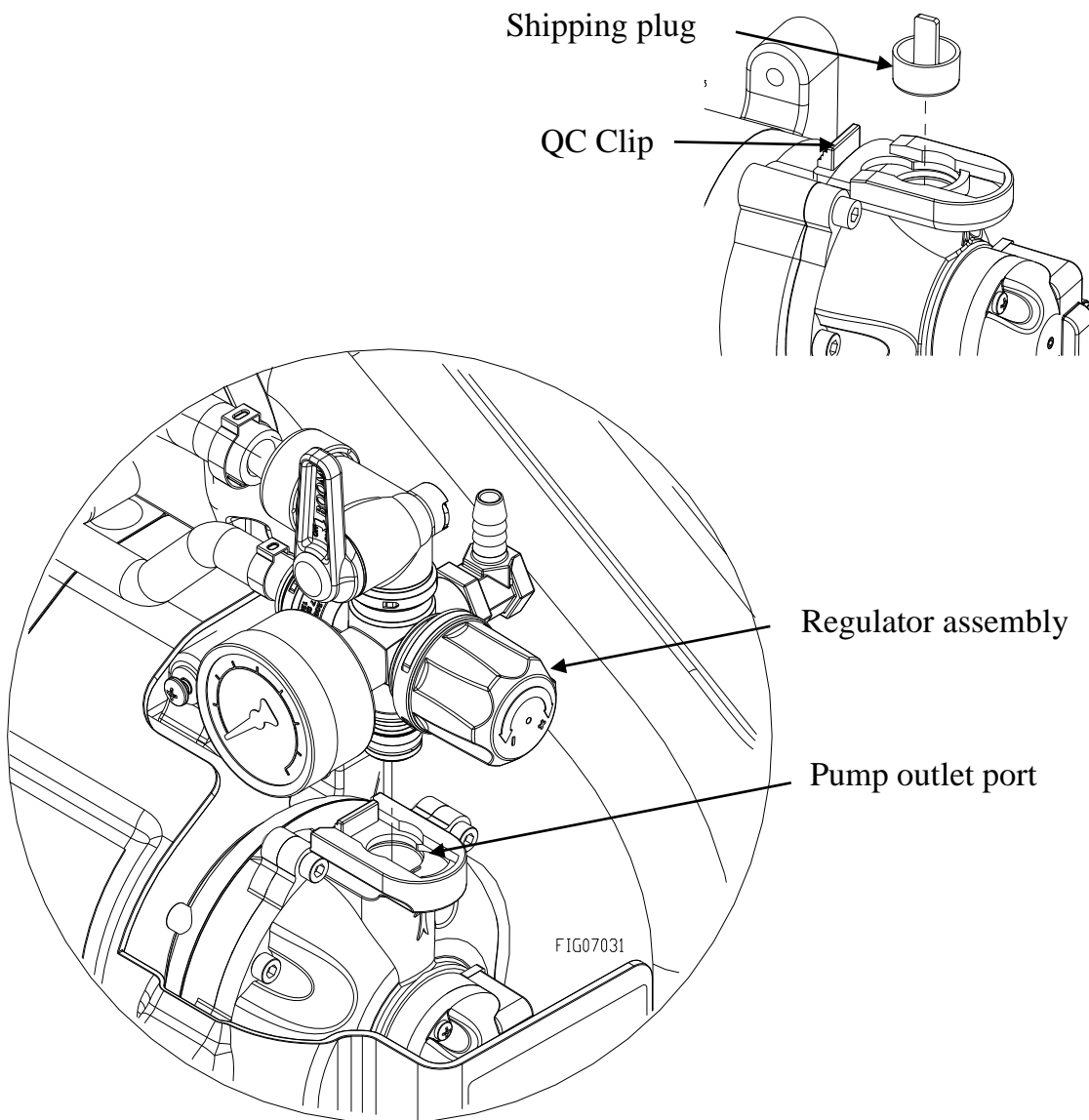
Step 1 – Install regulator assembly

- Remove bubble wrap from regulator assembly.
- Slide red QC clip open and remove shipping plug from pump outlet port.
- Insert regulator assembly into Outlet port of pump and slide red QC clip closed.

NOTE: To insert quick connect fittings, lubricate O-ring with water and twist fitting while inserting into pump port.

Tools Needed

- N/A



Assembly

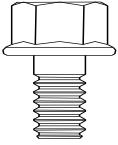
Step 2 – Install Handles

- Install both handles to tank.
- Attach with 4 washers and bolts.
- Tighten all bolts 5 Ft-lbs.

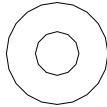
Tools Needed

- 1/2" Wrench

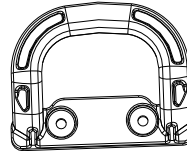
Fasteners Needed from Owner's Manual Bag:



5/16" x 3/4" Bolt
82015
(Qty 4)



5/16" USS Flat
Washer
82021
(Qty 4)



Handle
798525
(Qty 2)

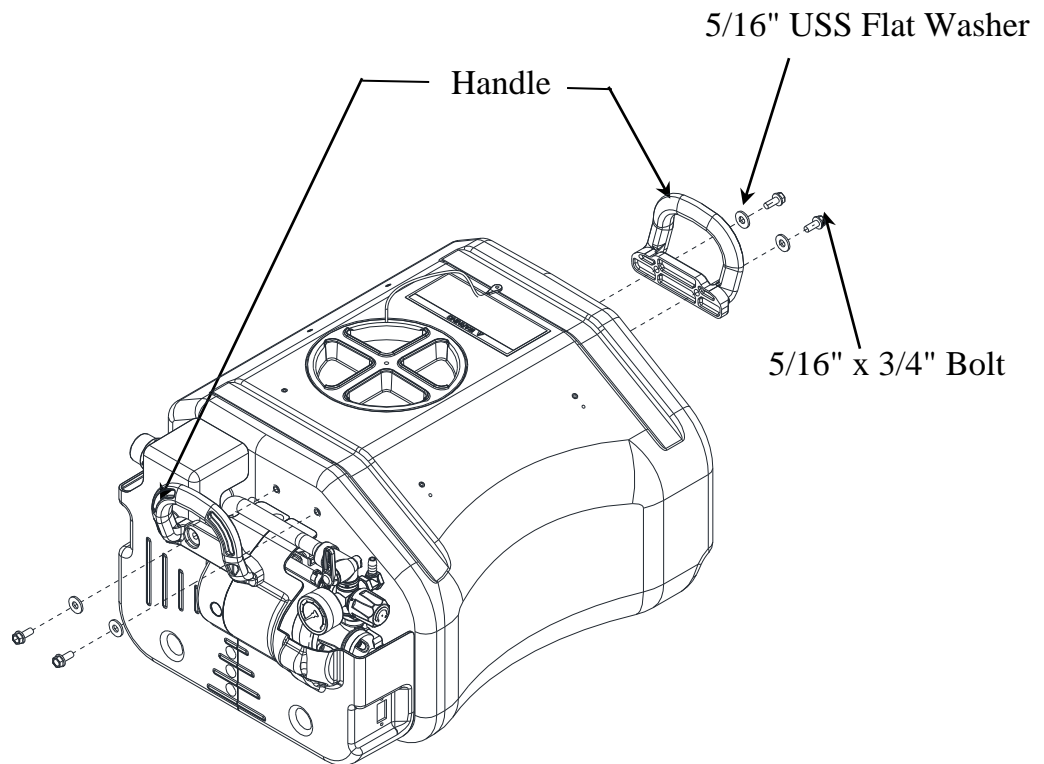


Fig06410

Assembly

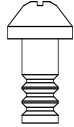
Step 3 – Install Gun clips

- Install both gun clips to tank.
- Attach with two #10-24 x 1/2" screws.

Tools Needed

- Phillips screw driver

Fasteners Needed from Owner's Manual Bag:



#10-24 x 1/2" screw
82059
(Qty 2)



Gun Clip
798480
(Qty 2)

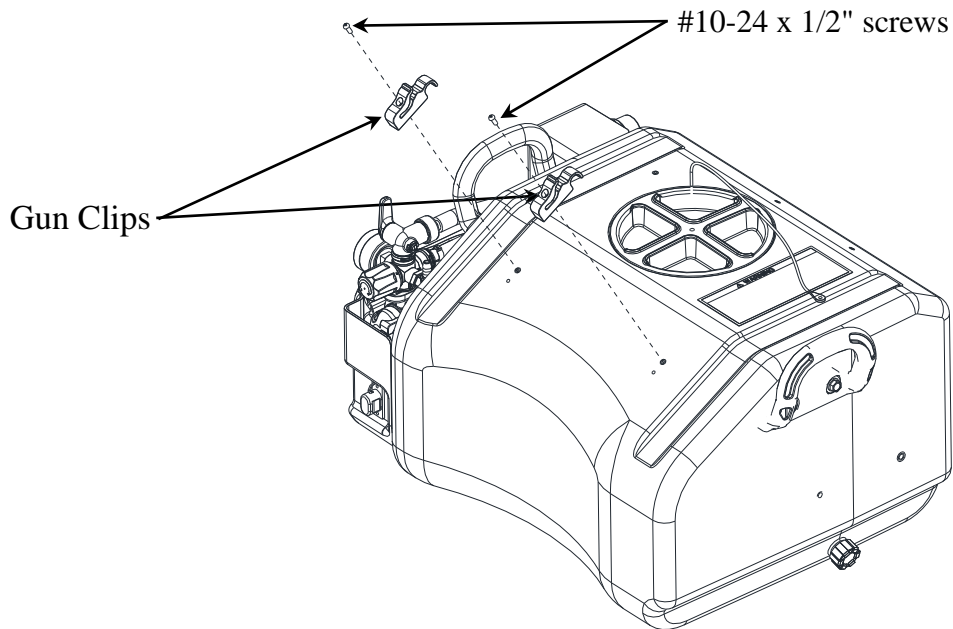


Fig06411

Assembly

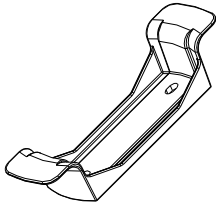
Step 4 – Install hose wrap

- Install hose wrap to one side of tank.
- Attach with 2 washers and bolts.
- Tighten all bolts to 5 Ft-lbs.

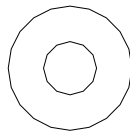
Tools Needed

- 1/2" Wrench

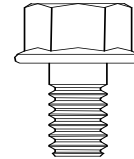
Fasteners Needed from Owner's Manual Bag:



Hose Wrap
798514
(Qty 1)



5/16" USS Flat
Washer
82021
(Qty 2)



5/16" x 3/4" Bolt
82015
(Qty 2)

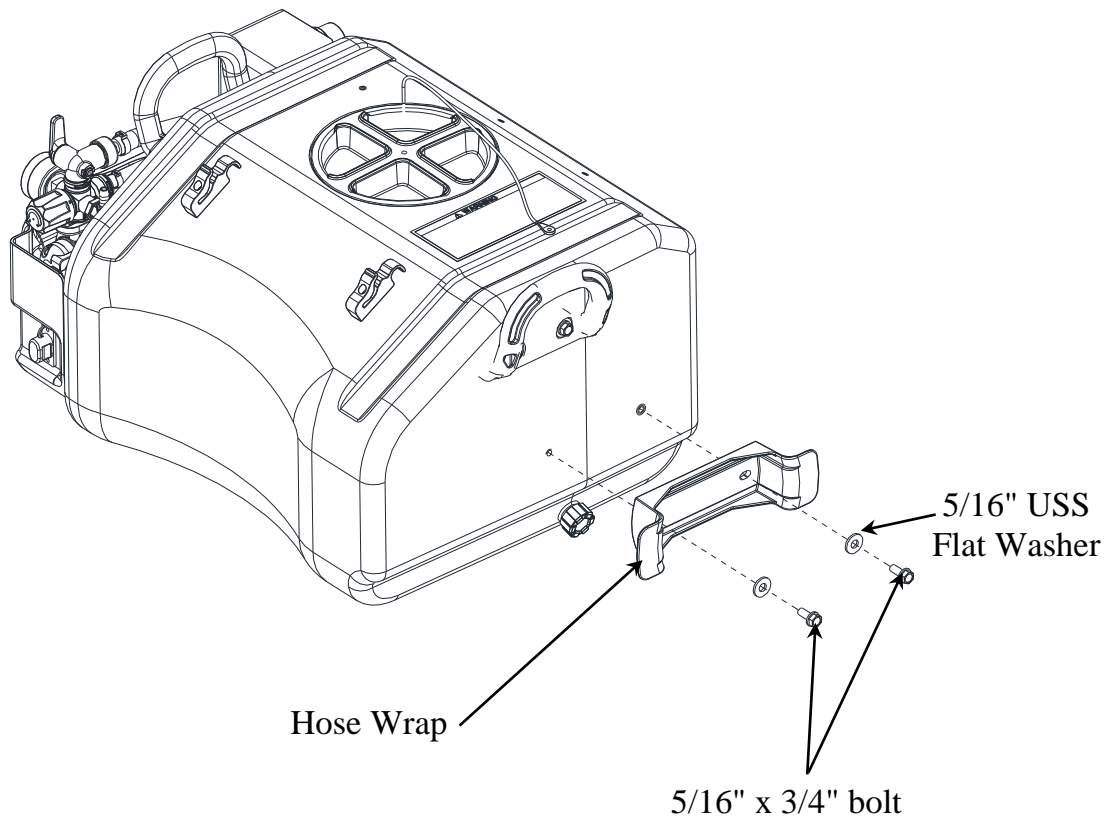


Fig06412

Assembly

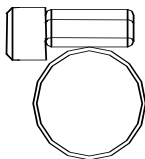
Step 5 – Route the hose through gun clips

- Route Gun hose through gun clips.
- Attach Gun hose to regulator.
- Tighten hose clamp at the end of gun hose as shown in figure below.

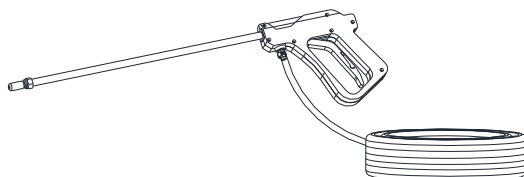
Tools Needed

- Screwdriver

Fasteners Needed from Owner's Manual Bag:

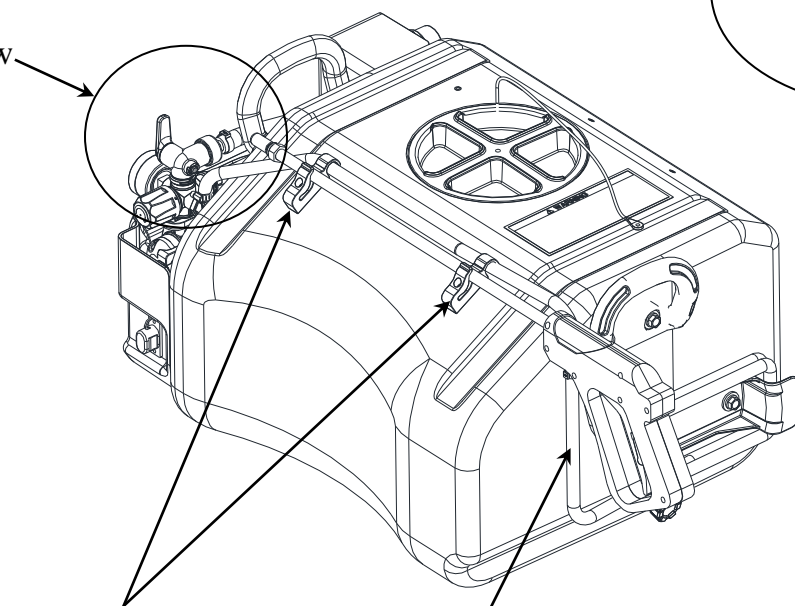


3/8" Hose Clamp
30746
(Qty 1)



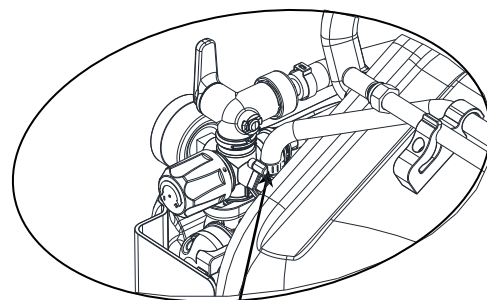
Spray Gun and Hose
(Qty 1)

See Detail View



Route hose
through
gun clips

Gun Hose



3/8" Hose
Clamp

Detail View

Fig06413

Assembly

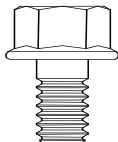
Step 6 – Install boom tank mounts to bottom of tank

- Install tank mounts with four 5/16" x 3/4" bolts.
- Tighten bolts to 5 Ft-lbs.

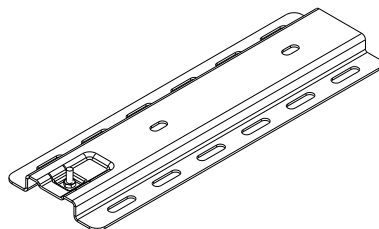
Tools Needed

- 1/2" Wrench

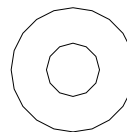
Fasteners Needed from Owner's Manual Bag:



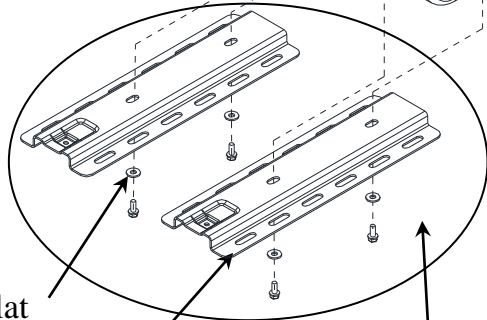
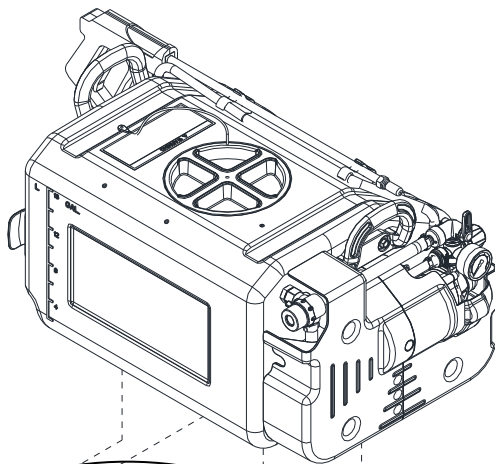
5/16" x 3/4" Bolt
82015
(Qty 4)



Tank Mount
(Qty 2)



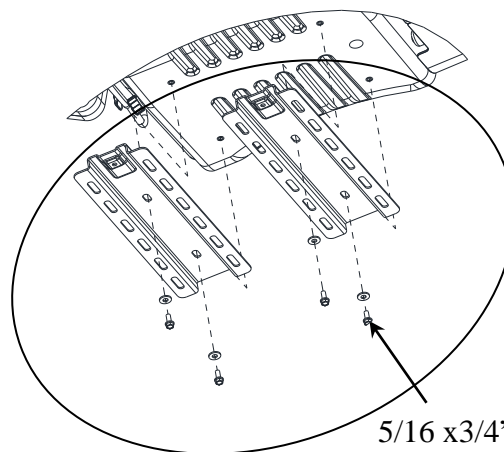
5/16" USS Flat
Washer
82021
(Qty 4)



5/16" USS Flat
Washer

Tank Mount

See Detail View



Detail View

5/16 x 3/4" Bolt

Fig06414

Assembly

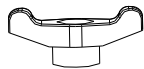
Step 7 - Install boom vertical mounts to boom tank mount

- Install boom mounts onto two 5/16" x 3/4" bolts in tank mounts.
- Install two locking knobs on the top of boom mounts as shown in figure below

Tools Needed

- None

Fasteners Needed from Owner's Manual Bag:

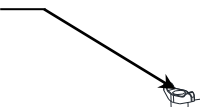


Locking Knob
38578
(Qty 2)



Boom Mount
798537
(Qty 2)

Locking Knob



Boom Mounts

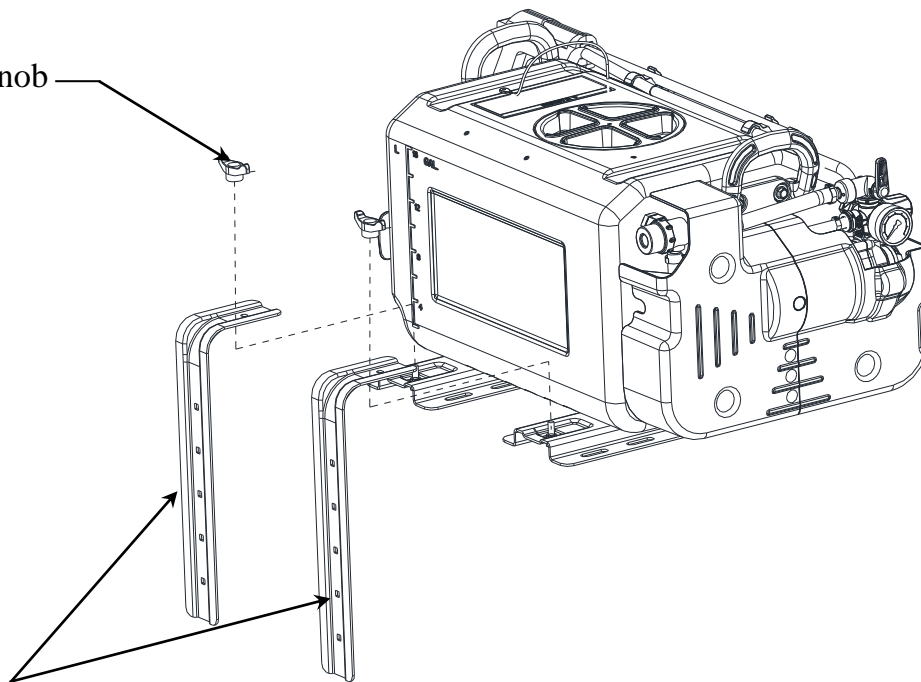


Fig06415

Assembly

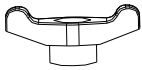
Step 8 - Install boom assembly to boom vertical mounts

- Install two locking knobs to tighten boom assembly to boom vertical mounts.

Tools Needed

- None

Fasteners Needed from Owner's Manual Bag:



Locking Knob
38578
(Qty 2)

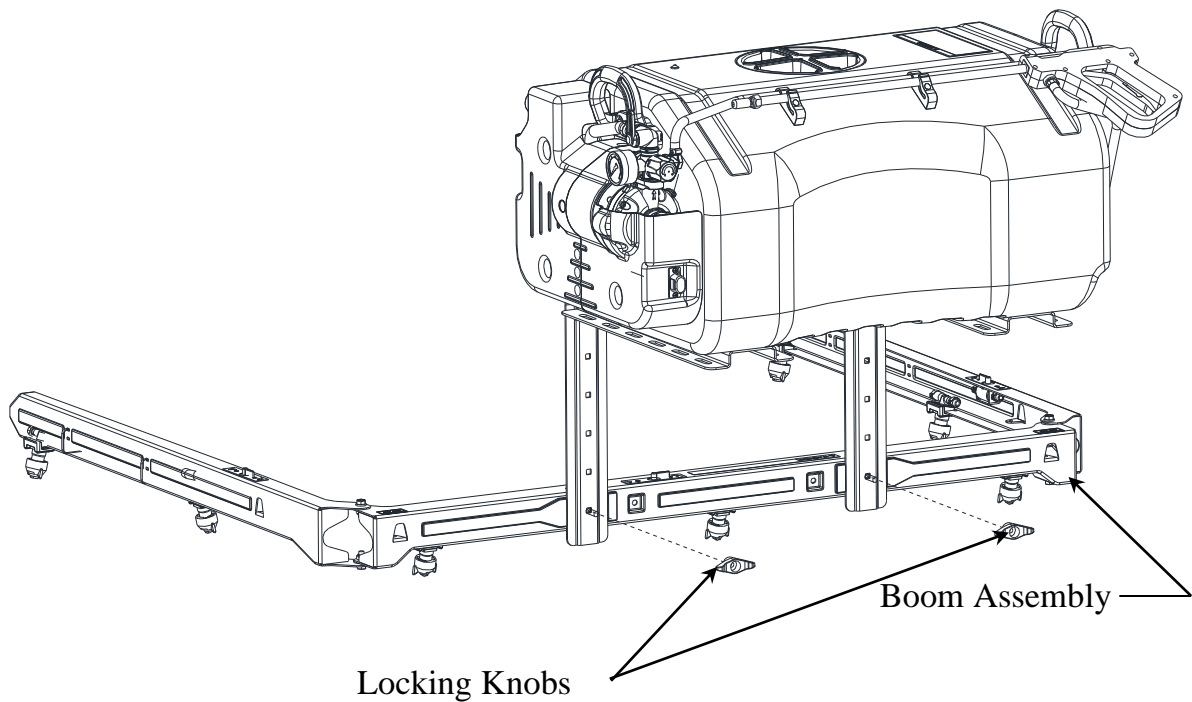


Fig06515

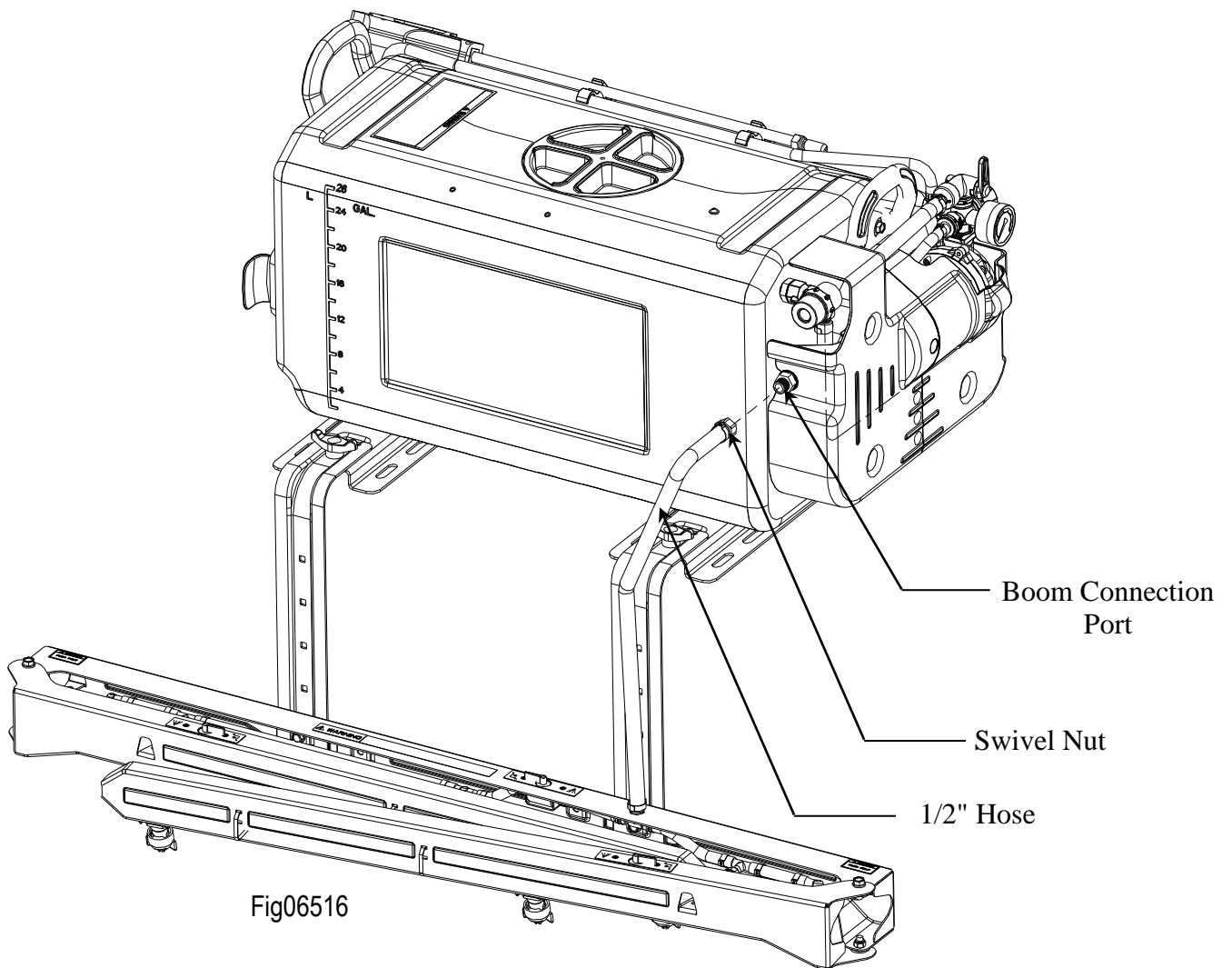
Assembly

Step 9 - Attach boom supply hose to sprayer

- Thread swivel nut from boom supply hose onto boom connection port.

Tools Needed

- None



Assembly

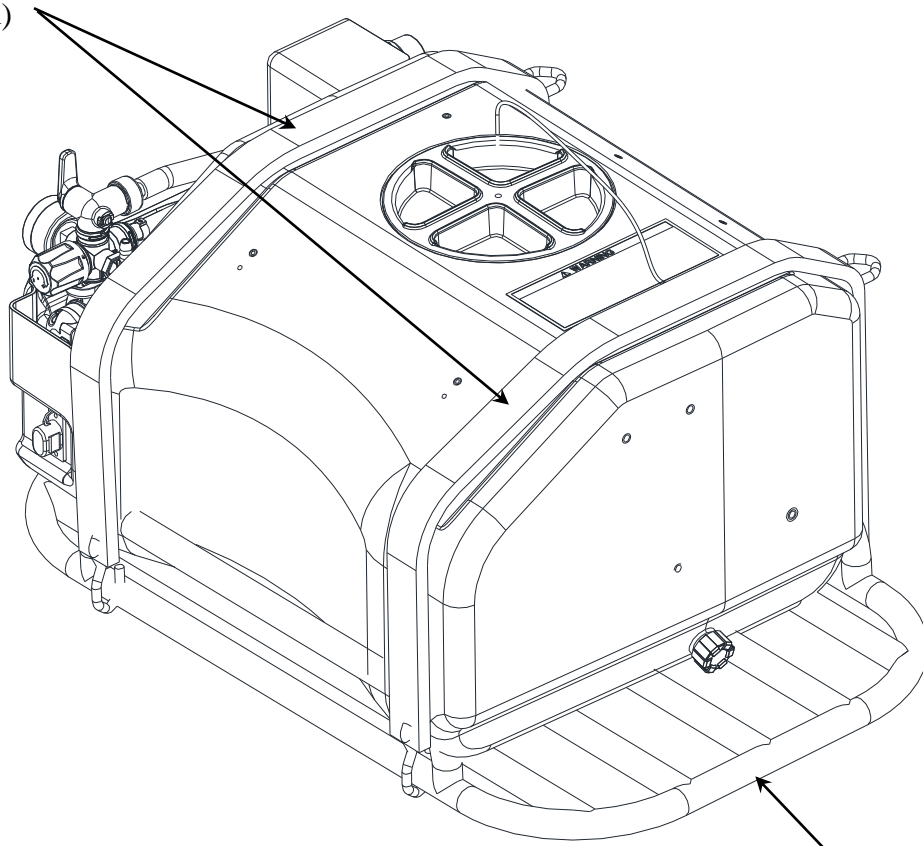
Step 10 - Attach sprayer to vehicle

- Secure the sprayer tank to your ATV rack with two tank straps.
- If your vehicle battery will be inaccessible after the sprayer is attached, proceed to step ten prior to performing this step.
- **NOTE:** This sprayer does not include tank straps. Do not over tighten straps. Tank damage may occur.

Tools Needed

- N/A

Tank Straps
(not included)



ATV Rack
(not included)

Fig06418

Assembly

Step 11: Connect remote switch to vehicle battery

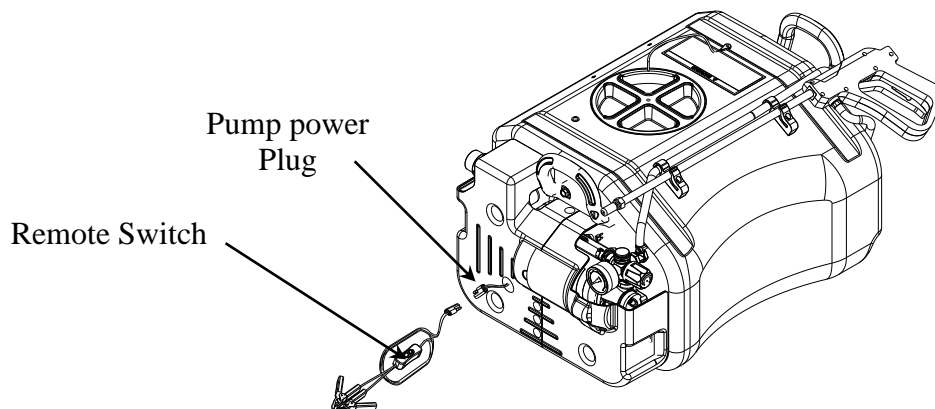
⚠ WARNING

Batteries are hazardous because they contain caustic acid, can emit explosive gases, and can cause electric shock.

Caution must be exercised when making connections to a battery to avoid shock and contact with the acid, and to prevent any sparking that could lead to an explosion.

ALWAYS follow the safety instructions and steps listed below in *exact sequence* when connecting the sprayer's wire harness to the battery terminals.

1. Preparatory safety	Preparatory safety steps: <ul style="list-style-type: none">• ALWAYS use eye protection.• NEVER smoke or work near sparks or other sources of ignition.• NEVER touch both battery terminals at the same time or with any non-insulated tools.• If battery acid contacts skin or clothing, flush immediately with water and neutralize with baking soda.
2. Connect remote switch to battery	Connect the sprayer's <u>remote switch</u> to the vehicle battery using the following procedure: <ol style="list-style-type: none">a) Disconnect the vehicle battery ground wire.b) Connect the <u>remote switch's</u> red battery clamp to the positive (+) terminal of the battery.c) Connect the <u>remote switch's</u> black battery clamp to the negative (-) terminal of the battery.d) Reconnect the vehicle battery ground wire. WARNING: Always connect in this sequence to avoid possible shock.
3. Connect remote switch to pump power cord	Connect the remote switch to the pump power cord: <p>Note: Make sure the power switch is in the OFF position on the remote switch.</p>



Assembly

4. Verify connection	<p>Verify a complete connection has been made by checking with a DC voltmeter, or by <i>briefly</i> turning the <u>remote switch</u> to the ON position and listening for pump activation.</p>
5. Attach remote switch to vehicle	<p>Using supplied Hook & Loop pad, affix remote switch to vehicle in a position that is easily reached from the driver's seat.</p>
6. Attach sprayer to vehicle if haven't yet	<p>If you have not yet mounted the sprayer to your vehicle, do so at this time following the instructions in "<u>Step 9: Attach Sprayer to Vehicle</u>".</p>
7. Disconnect after use	<p>AFTER EACH USE, disconnect power to the sprayer by disconnecting the <u>remote switch</u> from the <u>pump power plug</u> – <i>the remote switch may remain connected to the battery.</i></p> <p style="text-align: center;"><i>NOTE: It is important to disconnect power to the sprayer when not in use for safety reasons. ALWAYS verify that the power has been disconnected or the remote switch is in the OFF position before adding chemicals or servicing.</i></p>
8. To disconnect permanently	<p>When it is necessary to disconnect the sprayer's <u>remote switch</u> from the battery, use the following procedure:</p> <ol style="list-style-type: none"> 1. Disconnect <u>sprayer's pump cord</u> from the <u>remote switch</u>. 2. Disconnect the <u>remote switch</u> from the vehicle battery as follows: <ol style="list-style-type: none"> a) Disconnect vehicle battery ground wire. b) Disconnect the <u>remote switch's black</u> battery clamp from the <i>negative(-)</i> terminal of the vehicle battery. c) Disconnect the <u>remote switch's red</u> battery clamp from the <i>positive(+)</i> terminal of the vehicle battery. d) Reconnect the vehicle battery ground wire. <p>WARNING: Always disconnect in this sequence to avoid possible shock.</p> <p><i>(Remember that on some vehicle models, you may need to remove the sprayer to access the battery)</i></p>

Assembly

Step 12: Check and test completed assembly.

WARNING

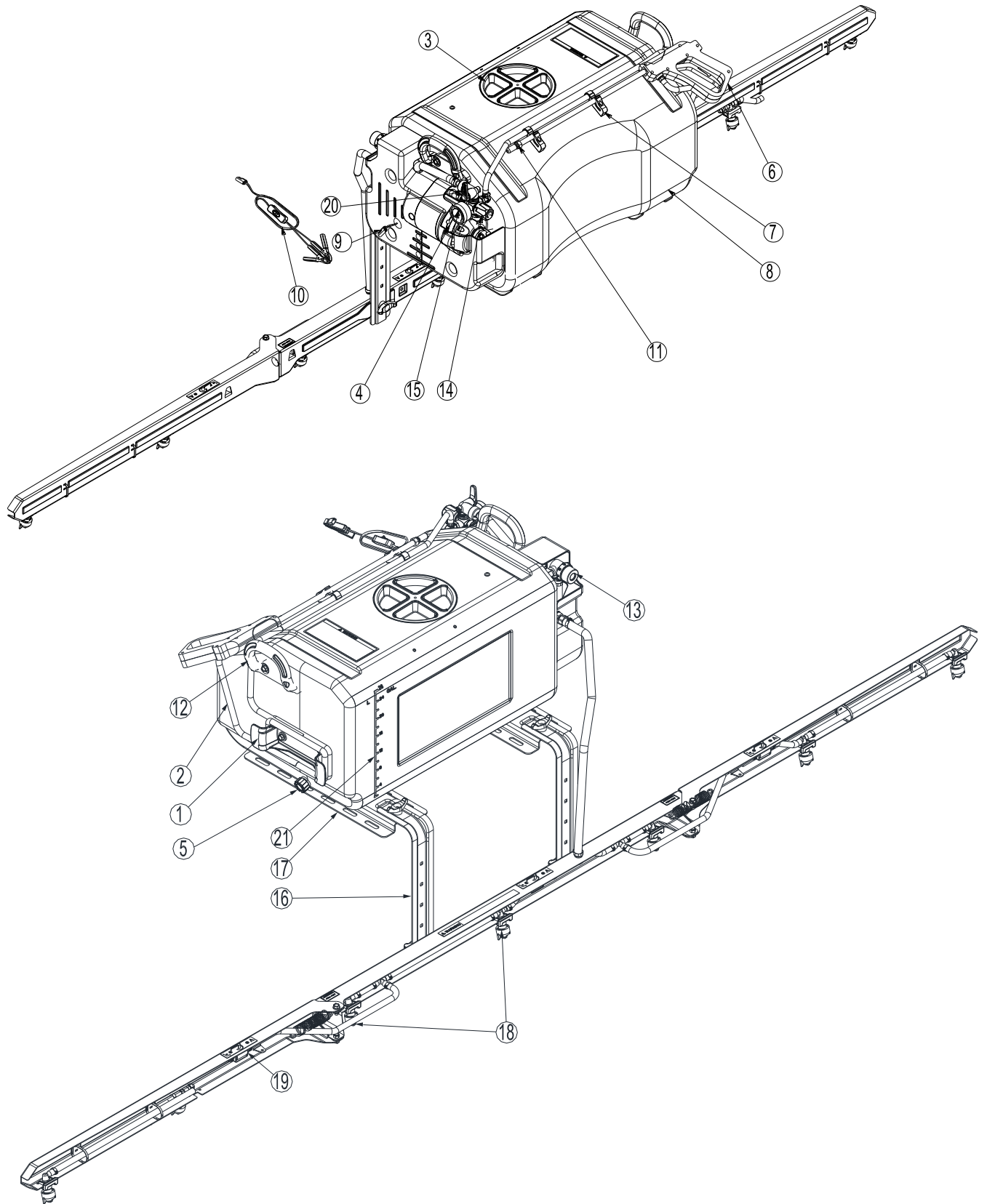
Check and test completed assembly

Serious injury could result from chemical leaks if sprayer is improperly assembled or the design of the sprayer is modified.

Follow the steps below to ensure the sprayer is properly assembled. Never modify the sprayer design.

1. Check assembly	Check assembly to assure the sprayer is properly assembled and in safe working condition: <ul style="list-style-type: none">a) Check that the gun clip screws are tight, hose clamps are secure, and tank straps are properly fastened.b) While it is unlikely that factory assembled components become loose, they should also be checked to make sure they are tight.
2. Test with water	Test the system for leaks with water: <ul style="list-style-type: none">a) Fill the tank with water.b) Connect the wire harness to the pump power cord and turn the remote switch ON. The pump is an "on demand" pump. When turned on, the pump will prime itself, and then turn off. When the gun trigger is squeezed, the pump will automatically start.c) Operate the spray gun by squeezing the gun trigger.d) Check for leaks throughout the system. If a leak is detected, fix the leak and re-test the system with water.

Machine Components (Model 99922)



Machine Components (Model 99922)

1. **Hose Wrap.** The hose wrap provides a storage location for the gun hose.
2. **Gun Hose.** The gun hose transfers chemical from the pump to the spray gun.
3. **Fill Cap.** The fill cap has a vent to allow air to enter the tank as the chemical is dispensed.
4. **Sprayer Pump.** The sprayer pump makes the chemical flow to the spray gun and out the nozzle.
5. **Drain Cap:** Remove the drain cap to empty the tank. Dispose of or store remaining chemicals properly as recommended on the chemical label.
6. **Spray Gun.** Use the spray gun to apply chemical to specific areas. The spray pattern is adjustable from stream to cone by twisting the spray nozzle (see Operation Instructions). When the remote switch is in the ON position, the spray gun trigger is the pump ON/OFF control. Squeeze the trigger and the pump turns on, let go and the pump turns off.
7. **Gun Clips.** Use the gun clips to store the spot spray gun.
8. **Sprayer Tank.** The sprayer tank holds the chemical.
9. **Pump Power Plug.** Connect the remote switch to the sprayer pump at this location. It should be disconnected when the sprayer is not in use.
10. **Remote Switch.** The remote switch connects the battery to the pump power plug and allows the operator to turn the sprayer pump on and off. The remote switch may be left connected to the battery when the sprayer is not in use.
11. **Spray Nozzle.** Spraying pattern adjusts from stream to cone.
12. **Handles.** The handles are used to lift the empty sprayer.
13. **Suction Strainer.** Suction strainer has clear removable bowl for easy cleaning.
14. **Regulator.** This controls system pressure.
15. **Gauge.** The gauge is an indicator of the pressure in the system.
16. **Boom Vertical Mount.** The boom vertical mount attaches the boom to the tank mounts.
17. **Tank Mount.** Tank mount is used to mount sprayer tank assembly to vertical mount.
18. **Boom Nozzle.** Sprays a wide pattern for broadcast application.
19. **Boom Nozzle Valve.** Boom nozzle valves are located on boom for left/right spray control.
20. **Boom Valve.** The boom valve shuts off chemical to the broadcast boom.
21. **Fill marks.** Molded into tank.

Operation – Important Safety Information

Now that you have completed and tested your assembly, there is some important safety and health information you need to know with regard to handling and spraying chemicals, as well as vehicle handling with the sprayer attached.

WARNING

Carefully read and make sure you understand the following safety information before using the sprayer.

General Chemical Safety:

WARNING

- Pesticides are hazardous chemicals.
- Heed the warnings below and follow all instructions carefully.
- Improper handling of chemicals can result in serious injury or illness, or cause damage to the environment.

- **Chemical label.** ALWAYS READ and FOLLOW all chemical label instructions.
- **Licensing/regulation.** Refer to any applicable licensing restrictions or state/federal regulations with regard to the application of the particular chemical you plan to use.
- **Emergency procedures.** Before handling chemicals, carefully review the "[Chemical Accident Procedures](#)" listed later in this section, as well as the "Statement of Practical Treatment" on the chemical label.
- **Inhalation/contact.** ALWAYS take precautions to avoid inhaling or coming into contact with the chemical.
- **Personal protective equipment.** ALWAYS wear protective clothing, eye protection, and chemical-resistant gloves when filling, using and cleaning the sprayer. Wear additional protective gear (such as facemask or apron) as recommended on the chemical label.
- **Children/pets.** Pesticides can be especially toxic to children and animals. ALWAYS exercise extra caution around children. Keep sprayer and all spray materials away from children and animals.
- **Ventilation.** ALWAYS ensure there is adequate ventilation when mixing, pouring, or spraying.
- **Flammables.** NEVER use any flammable chemicals in the sprayer.
- **Corrosives.** DO NOT use corrosive chemicals in the sprayer. They can weaken the sprayer and its parts, resulting in leaks. Check with the chemical manufacturer to ensure chemical is compatible with all components of the sprayer.
- **Chemical interaction.** ALWAYS flush the sprayer before switching chemicals. Different chemicals may interact dangerously with each other.
- **Chemical storage.** ALWAYS store pesticides in a properly labeled container and in a secure location per the manufacturer's recommendations.
- **Health monitoring.** Monitor the health of operators who are frequently exposed to pesticides, as recommended by the chemical label or local/federal regulations.

Operation – Important Safety Information (continued)

Chemical Application Safety:

WARNING

- Caution must be used when spraying chemicals to avoid unsafe exposure to humans and the environment.
- Heed the warnings below and follow all instructions carefully.

Before Spraying

- **Sprayer prep.** ALWAYS inspect and prepare the sprayer before use according to the directions provided in this manual.
- **Keep sprayer off.** Do not turn on power to the sprayer until ready to spray in order to avoid unintentional spray release.
- **Boom nozzles down.** Make sure boom nozzles are oriented to spray straight down before starting the sprayer. An incorrectly positioned boom nozzle may spray chemicals on you or others.
- **Wind speed.** NEVER spray when wind speed exceeds 4 MPH in order to minimize spray drift.
- **Clear area/post.** ALWAYS keep the work area clear of people and pets. POST warning notices to restrict access by the public for the period recommended on chemical label.
- **Operator age.** You must be 16 years of age or older to operate this sprayer. Pesticides are especially toxic to children.

During Spraying

- **Over application.** DO NOT over apply pesticide. Apply at a rate recommended by chemical manufacturer. Excess pesticide can be dangerous to humans, damage desirable plants, and contaminate soil and water sources.
- **Never point gun.** NEVER point the spray gun at people or animals.
- **Children/pets.** ALWAYS exercise extra caution when spraying near areas accessible to children and pets.
- **Eating/smoking.** DO NOT eat, drink, smoke, rub your eyes, or touch any part of your bare skin while handling chemicals and spraying.
- **Heat/flames.** DO NOT spray near open flames or sources of heat.
- **Spills.** ALWAYS clean up spills immediately per instructions on the chemical label.
- **Unattended.** ALWAYS turn off vehicle and set brake or block wheels, turn off power to sprayer, and relieve system pressure before leaving sprayer unattended.
- **Troubleshooting.** ALWAYS refer to the safety instructions in the Troubleshooting Section before attempting any repairs.

After Spraying

- **Clean sprayer.** ALWAYS clean the sprayer immediately after use according to the directions provided in this manual.
- **Decontaminate.** ALWAYS decontaminate yourself immediately after you are finished spraying and handling chemicals. Wash all exposed areas of the body with soap and water and remove and launder clothing.
- **Chemical disposal/storage.** ALWAYS dispose of or store remaining chemicals properly as recommended on the chemical label.

Operation – Important Safety Information (continued)

ATV Vehicle Handling Safety:

⚠ WARNING

Serious injury can occur if the ATV on which the sprayer is mounted is driven unsafely.

- **Driver age.** You must be 16 years of age or older to operate the ATV with the sprayer attached.
- **Less stable.** Be aware that all vehicle handling will be affected with the filled sprayer attached. See your ATV's warning label for the hazards associated with driving:

- Too fast
- On paved surfaces
- On inclines or rough terrain.

These hazards will be increased drastically as a result of the additional weight and location of the filled sprayer. The center of gravity will be higher and weight distribution different, causing the ATV to be less stable when braking, turning, and driving. Exercise extra caution in vehicle handling. Use particular caution on sloped or rough surfaces in order to prevent rollover. A vehicle equipped with Roll Over Protection System (ROPS) is recommended if you will be operating on non-level terrain.

- **Speed limit.** DO NOT exceed 5 mph with sprayer mounted on ATV.
- **Ride/transport.** NEVER ride or transport cargo on the sprayer.

Chemical accident procedures:

⚠ WARNING

Before you fill the sprayer, review the following information with regard to handling accidents.

Chemical spills, sprayer leaks, personal contamination, and poisoning are accident situations which you may encounter. **All require an immediate response – See instructions below.**

Sprayer leak	<p>In the event that the sprayer develops a leak while spraying chemicals, you must <i>immediately stop spraying.</i></p> <p>Turn off power to the sprayer and follow the directions below, as applicable.</p>
Bodily chemical contact	<p>Personal contamination can occur when chemicals splash, spill, or spray directly onto a person.</p> <p>1. Follow the emergency first aid instructions on the chemical label listed in the "First Aid" or "Statements of Practical Treatment" section.</p> <p><u>General procedures include:</u></p> <p>a) Eyes – immediately flush with water or follow other directions as specified on the chemical label.</p> <p>b) Skin – immediately wash all contaminated skin surfaces with soap and water, or follow directions as specified on the chemical label.</p>

Operation – Important Safety Information (continued)

	<p>c) Clothing – remove contaminated clothing immediately. Dispose of heavily contaminated clothing per the instructions on the chemical label for safe chemical/container disposal.</p> <p>2. Seek medical advice if instructed on the label, or if the victim experiences symptoms of harmful effects such as burning, swelling, nausea, chest pain, difficulty breathing, dizziness or confusion. When seeking medical advice, be sure to bring the chemical product label.</p>
Poisoning by ingestion or inhalation	<p>In case of poisoning from ingestion or inhalation:</p> <p>IF THE VICTIM HAS COLLAPSED OR IS NOT BREATHING, <u>CALL 911</u>. Otherwise:</p> <ol style="list-style-type: none"> 1. If you are the victim, immediately seek assistance from nearby personnel because you may become incapacitated. 2. Follow the emergency first aid instructions on the chemical label in the "First Aid" or "Statement of Practical Treatment" section. 3. Call a poison control center for further advice. In the U.S., call 1-800-222-1222 to be automatically linked to the nearest certified poison control center. Have the chemical label available for reference.
Chemical spills	<p>Chemical spills must be quickly contained and properly cleaned up.</p> <p>Refer to the chemical label for any specific clean-up instructions with regard to the chemical spilled.</p> <p><u>General procedures include:</u></p> <ol style="list-style-type: none"> 1. Control the spill by stopping the source of the spill. If the source of the spill is a container leak, place the leaking container in a larger, watertight container. Keep unprotected people away from the spill site. 2. Contain the spill so that it does not spread and get into water sources. Use a shovel or other tool to make a dike around the spill with soil, sod, or absorbent material. 3. Clean up the spill immediately -- Absorbent materials like ground corncobs or pet litter should be spread on the spill area to soak up the pesticide. The contaminated material should then be shoveled into a leak proof container. Do not flush the spill area with water until you receive advice as directed below. 4. Seek additional advice from the chemical manufacturer and your state's pesticide regulatory agency regarding decontamination of the spill site: <ul style="list-style-type: none"> - <i>Chemical manufacturer.</i> The chemical label provides contact information for the chemical manufacturer. - <i>State pesticide regulatory agency.</i> In the U.S., call the National Pesticide Information Center at 1-800-858-7378 for assistance in determining how to contact your state's pesticide regulatory agency.

Operation – Preparing the Sprayer for Each Use

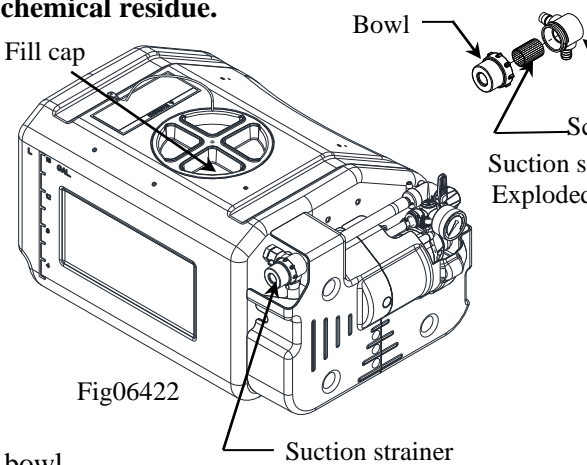
If the sprayer has been used previously, it must be prepared BEFORE EACH SUBSEQUENT USE.

⚠ WARNING

- Read instructions below carefully for inspecting and preparing the sprayer.
- Damaged or clogged equipment could result in leaks or uncontrolled spray.
- Leaks could result in injury to the operator or bystanders from chemical exposure, or cause damage to the environment.

Important safety rules:

- **Power off.** Make sure all power is OFF before cleaning, inspecting, or servicing the sprayer.
- **Guards / shields.** Make sure all guards and shields are replaced after servicing the sprayer.
- **Replacement parts.** If a part needs replacement, only use parts that meet the manufacturer's specifications. Replacement parts that do not meet specifications may result in a safety hazard or poor operation of the sprayer.

1. Ensure sprayer attached	Ensure the sprayer is securely attached to the ATV.
2. Ensure tank empty	Ensure the sprayer has been thoroughly flushed and drained of all residual chemical from prior uses.
3. Clean suction strainer	<p>Clean the suction strainer of any chemical residue.</p> <p>It is important to clean the suction strainer before each use to ensure it is not clogged and to prevent residual chemical from contaminating sprayer contents.</p> <div style="display: flex; align-items: center; justify-content: space-between;"> <div style="width: 45%;"> <p>a) USING RUBBER GLOVES, remove strainer bowl.</p> <p>b) Run the suction strainer under fresh water to remove debris.</p> <p>c) Replace the suction strainer bowl.</p> </div> <div style="width: 45%; text-align: right;">  <p style="text-align: center;">Fig06422</p> </div> </div>
4. Inspect & repair	<p>Inspect and test the sprayer thoroughly:</p> <p>a) Inspect hoses for exposed mesh and holes. Replace all worn or damaged hoses.</p> <p>b) Inspect tank and fittings for cracks and leaks. Replace all damaged fittings with original NorthStar parts.</p> <p>c) Check to be sure retaining nut on gun nozzle is tight.</p> <p>d) Check to be sure that all other nuts, bolts, and screws are tight.</p> <p>e) Partially fill tank with plain water and spray to test for leaks. Repair as needed.</p> <p>IMPORTANT: After any repair work has been done, ALWAYS test for leaks with water one final time before using.</p>

Operation – Using the Sprayer

Step 1: Assess wind conditions and clear work area.

Before you decide to spray, you must determine whether wind conditions are suitable. You must also restrict access to the work area to ensure the safety of bystanders.

WARNING

Do not spray if wind speeds are greater than 4 MPH or if there are bystanders in the intended spray area.

1. Assess wind speed	Assess weather conditions to ensure that it is not too windy to spray. DO NOT SPRAY if wind speeds are greater than 4 MPH. <i>Visible indication of wind speed:</i> If leaves are in constant motion or there is any branch movement, DO NOT spray because the wind is too strong.
2. Clear work area	Clear the work area of all bystanders and pets. Restrict access by the public for the period recommended on chemical label.

Operation - Using the Sprayer (continued)

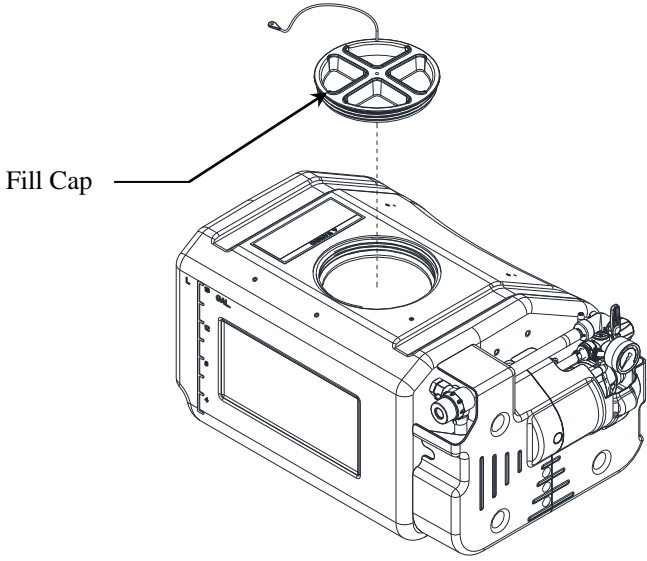
Step 2: Fill the sprayer.

⚠ WARNING

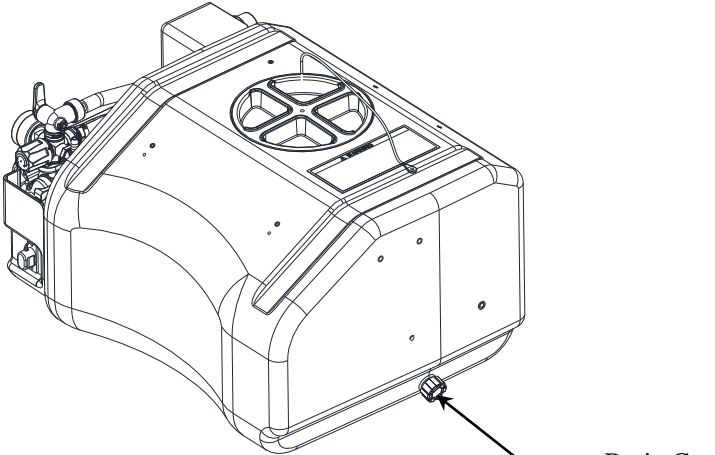
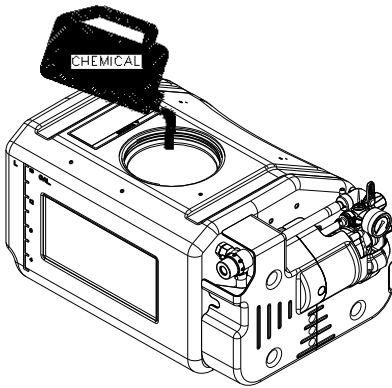
ALWAYS wear personal protective equipment as directed on the chemical label when handling pesticides.

Long pants and sleeves, chemical resistant gloves, and eye protection are strongly recommended. Additional protective gear may be required depending on the particular pesticide.

Fill the sprayer using the following steps:

1. Review safety information	Review the "<u>Operation – Important Safety Information</u>" related to <u>General Chemical Safety</u> and <u>Chemical Accident Procedures</u> provided in this manual.
2. Choose safe mixing/loading area	Choose a safe pesticide mixing and loading area. - Choose an outdoor, well-ventilated area away from unprotected people, animals, food, and other items that might become contaminated.
3. Wear personal protective equipment	Wear personal protective equipment as directed on the chemical label. - Note that additional equipment may be specified for mixing and loading activities.
4. Turn off sprayer and vehicle	Turn OFF power to the sprayer before filling. - The vehicle should also be off, with brake set or wheels blocked to prevent unintended movement.
5. Remove fill cap	<p>Remove the fill cap located on top of the sprayer.</p> <div style="text-align: center;">  <p style="text-align: right;">Fig06423</p> </div>
6. Ensure tank flushed	Ensure tank is flushed of all chemicals from prior uses. - Chemicals can interact dangerously when mixed, and residue chemicals are also a health hazard.

Operation - Using the Sprayer (continued)

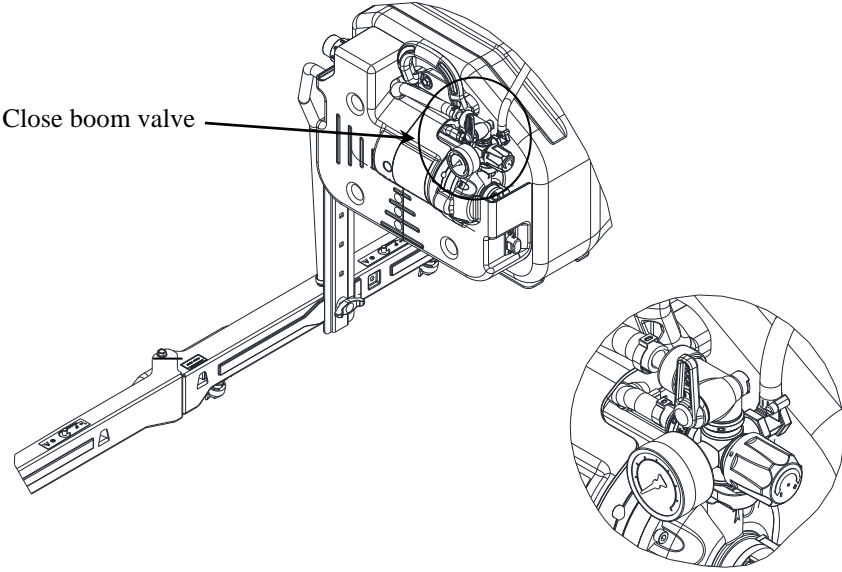
<p>7. Check drain cap</p>	<p>Before filling tank, ensure drain cap is securely tightened.</p> <div style="text-align: center; margin: 20px 0;">  <p>Fig06424 Drain Cap</p> </div>
<p>8. Fill tank</p>	<p>Add pesticide to tank through fill cap:</p> <ul style="list-style-type: none"> a) Confirm the chemical/water dilution ratios specified on the chemical label. b) Determine chemical and water volumes needed for the planned application, taking into consideration that maximum tank capacity is 26 gallons. <i>Note: Only purchase and mix as much chemical as you need for the planned application in order to minimize chemical over application and the need for storing unused chemicals.</i> c) Add chemical to the tank through the fill cap. <i>If the chemical is not pre-mixed, add water and pesticide concentrate in the order prescribed on the label.</i> <i>Note: Only purchase and mix as much chemical as you need for the planned application in order to minimize chemical over-application and the need for storing unused chemicals.</i> <div style="text-align: center; margin: 20px 0;">  <p>Fig06425</p> </div>
<p>9. Ensure chemical mixed</p>	<p>Ensure chemical is thoroughly mixed in tank.</p> <ul style="list-style-type: none"> - Stirring device should be made of metal or plastic, non-chemical absorbing material, and then properly cleaned and stored after use.
<p>10. Replace fill cap</p>	<p>Replace fill cap and tighten securely.</p>

Operation - Using the Sprayer (continued)

Step 3: Operate the sprayer.

⚠ WARNING

- ALWAYS wear personal protective equipment as directed on the chemical label when spraying.
- Long pants and sleeves, chemical-resistant gloves, and eye protection are strongly recommended. Additional protective gear may be required depending on the particular pesticide.

1. Review safety information	Review the "<u>Operation – Important Safety Information</u>" related to <u>Chemical Application Safety</u> and <u>ATV Vehicle Handling Safety</u> provided in this manual.
2. Wear personal protective equipment	Wear personal protective equipment as directed on the chemical label.
3. Close boom valve	<p>Close boom valve to prevent accidental spray release</p> <div style="text-align: center;">  <p style="margin-top: 10px;">Fig06518 Detail view</p> </div>
4. Turn on power	<p>Turn on the power to the sprayer.</p> <ol style="list-style-type: none"> 1. Verify the remote switch is connected to the pump power cord. 2. Turn the switch to the "ON" position. <p><i>Note: The pump will start automatically when power is turned on. The pump will cycle on and off as needed to retain pressure in the hose.</i></p>

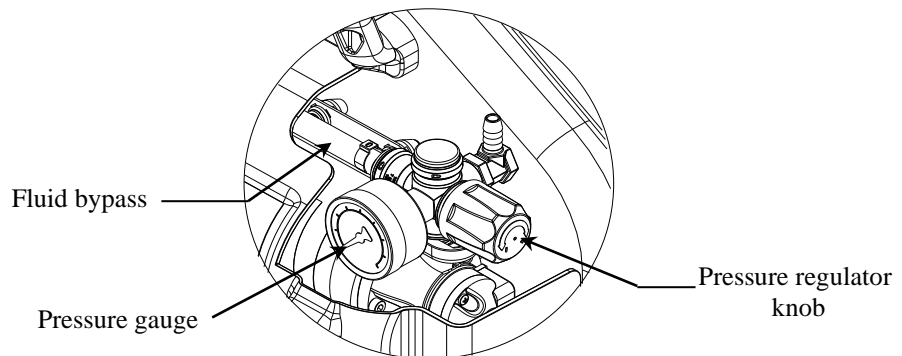
Operation - Using the Sprayer (continued)

5. Adjust pressure regulator

Turn pressure regulator knob to adjust outlet pressure

1. Turn knob clockwise to increase pressure.
2. Turn knob counter-clockwise to decrease pressure

Note: If the pressure regulator knob is completely tightened, the pressure setting will be higher than the pressure switch on the pump. This allows the pump to operate as a demand pump and turn on only when spraying



6. Begin agitation if needed

Some formulations of liquid pesticides do not remain in solution and should be agitated to maintain a uniform mix.

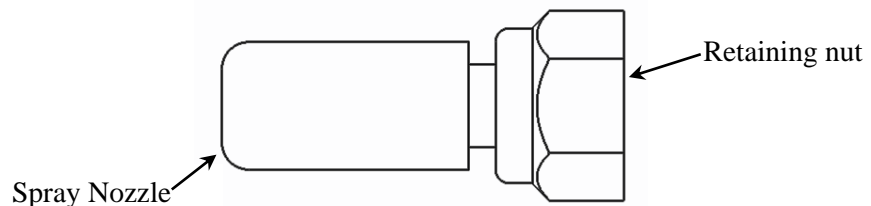
The *pressure regulator* bypasses fluid back to the tank. Adjust the knob to divert spray back to the tank to keep chemicals well-mixed. It should be used when spraying pesticides classified as "flowable" ("F" or "L"), "wetable powder" ("WP" or "W"), "emulsion" ("EC" or "E"), "microencapsulated" ("M"), or water dispersible granules ("WDG" or "DF"). (See pesticide label to determine its classification.)

7. Squeeze trigger & adjust nozzle

To spray, squeeze the gun trigger.

- **Twist the spray nozzle to adjust from a straight stream to hollow cone spray pattern**, as recommended on the chemical label for proper delivery rate.

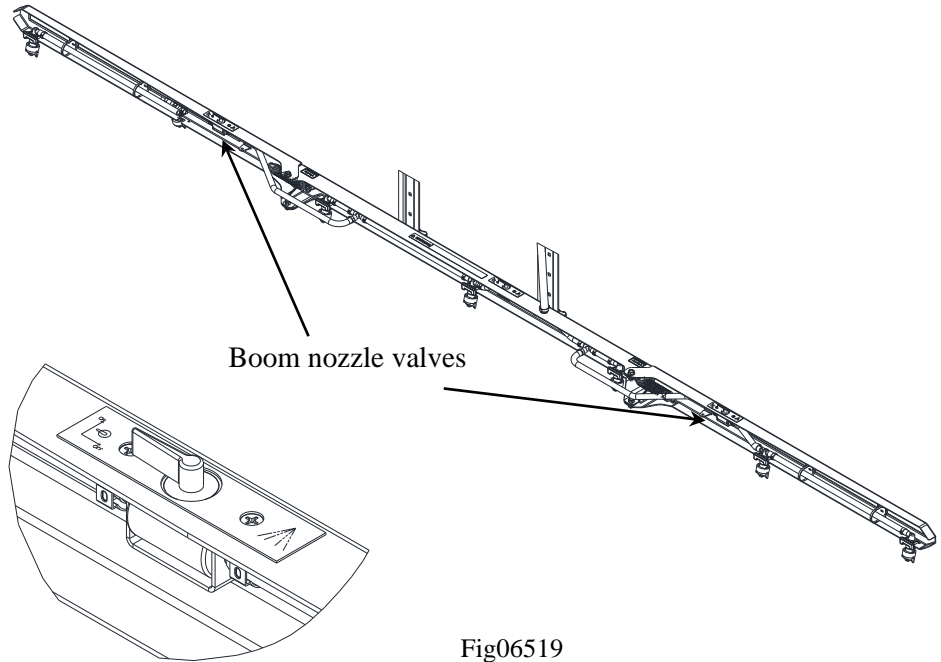
Note: It is not unusual for the operator to be exposed to chemical drips while adjusting the nozzle – gloves should be chemical resistant.



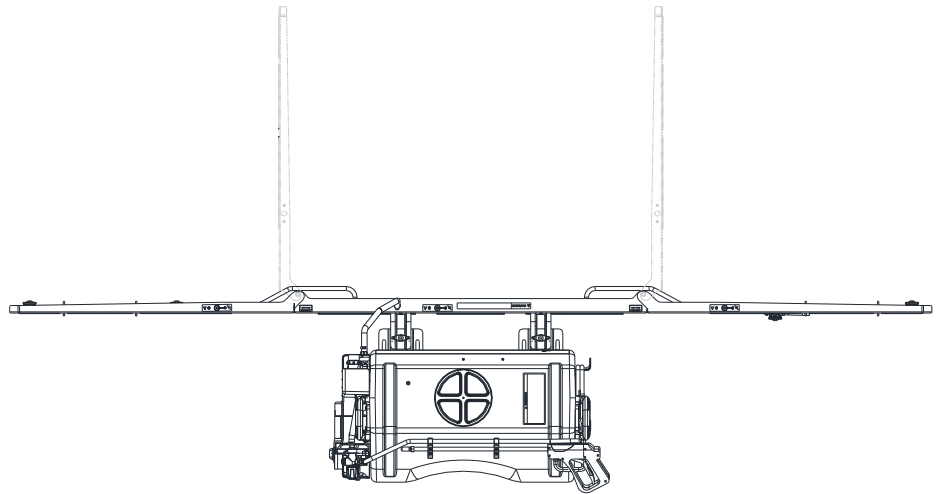
Operation - Using the Sprayer (continued)

8. Operate broadcast boom

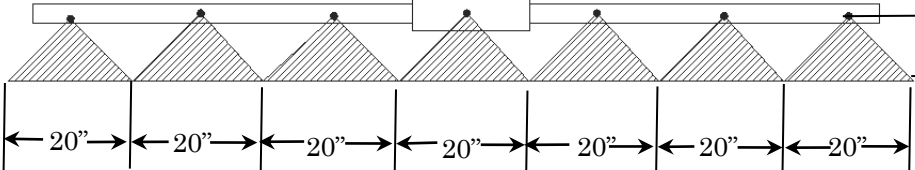
A. Open boom nozzle valves Open the boom valves as desired.



B. Unfold one or both boom arms as required.



Operation - Using the Sprayer (continued)

	<p>C. Ensure uniform coverage To ensure proper coverage, the height of the unfolded boom nozzles should be about 20" from the ground.</p>  <p>D. Begin to spray Open the boom valve and turn the remote switch ON to begin spraying.</p>
9. Leaving unattended	<p>If the sprayer must be left unattended at any time:</p> <ol style="list-style-type: none"> a) Disconnect power to the sprayer. b) Relieve system pressure by depressing the gun trigger. c) Turn off the vehicle. Set brake or block the wheels.
10. Discontinue use if clogged or inoperative	<p>If the sprayer becomes clogged or inoperative during use, <i>discontinue use immediately.</i></p> <ul style="list-style-type: none"> - DO NOT attempt to service while chemicals are in the sprayer and power is connected. - Return to service area to review instructions for troubleshooting before attempting to service.

Note: A reserve, clean container capable of holding at least 26 gallons should be kept for use when the sprayer tank needs to be emptied temporarily for repairs. It is advisable to purchase a reserve tank suitable for pesticide storage from Northern Tool + Equipment for use in these circumstances. The container should be properly labeled as to its contents if it is used.

Operation - Using the Sprayer (continued)

Step 4: Clean sprayer and decontaminate after use.

When done using the sprayer, it is important to clean the sprayer and decontaminate yourself. Do not store the sprayer with chemicals in the tank, as it is unsafe and could also result in damage to the equipment.

⚠ WARNING

- Clean-up and decontamination procedures must be followed after each use.
- Improper equipment clean-up and disposal of chemicals can result in dangerous chemical exposure to humans and the environment, as well as equipment damage.
- Personal decontamination is required after spraying to minimize unsafe exposure to chemicals and potential illness.

1. Drain tank	<p>If there is excess pesticide left in the tank, drain the tank:</p> <ol style="list-style-type: none"> a) Disconnect power to the sprayer and relieve system pressure by depressing the gun trigger. b) Find a suitable container in which to drain the unused pesticide. Place it under the tank drain hole. c) While wearing rubber gloves, eye protection, and all other required personal protective equipment, remove the drain cap and allow pesticide to drain into container. d) When tank stops draining, replace drain cap. Tighten securely.
2. Unused chemical	<p>Properly store or dispose of unused chemical:</p> <ol style="list-style-type: none"> a) <u>If the unused pesticide is to be stored for future use:</u> Store all unused pesticide in its original, or a suitably marked, container in a secure location out of the reach of children & animals. b) <u>If remaining pesticide is to be disposed:</u> Properly dispose of the remaining chemical and its container per the chemical manufacturer's recommendation and according to local hazardous waste disposal regulations.
3. Flush sprayer	<p>Flush the sprayer per the chemical manufacturer's recommendations. A general procedure is as follows:</p> <ol style="list-style-type: none"> a) Add fresh water to the tank. b) Reconnect power to the sprayer. c) Operate the spray gun and discharge all rinse water onto an area that can accept dilute pesticide application. d) Add 5 gallons of the chemical manufacturer's recommended cleaning solution. Operate the spray gun, collecting the discharged solution if recommended by the manufacturer. e) After flushing, disconnect power to the sprayer and be sure all system pressure is relieved by squeezing the gun trigger. f) Dispose of cleaning solution discharge as recommended by the manufacturer of the solution.
4. Decontaminate & launder	<p>Decontaminate yourself after you are finished handling chemicals:</p> <ol style="list-style-type: none"> a) Remove all clothing worn during spraying and chemical handling. b) Wash all exposed parts of the body with soap and water. c) Launder clothing separately from other wash.

Storage

When not in use, store the sprayer indoors. For long term or winter storage, prepare the sprayer by running RV antifreeze through the system. This will keep internal parts lubricated, protect against corrosion, and keep the unit from freezing.

CAUTION

- The sprayer will be damaged if it freezes.
- Protect the sprayer from freezing during storage by following the instructions below.

Preparing for storage:

1. Add antifreeze	Pour 1 gallon of RV antifreeze into the tank. <i>Note: RV antifreeze is non-toxic and biodegradable and generally safer for the environment than automotive antifreeze.</i>
2. Spray briefly	Turn on the pump motor and squeeze the gun trigger briefly until fluid sprays.

Removing from storage:

1. Drain	Drain the antifreeze left in the tank through the tank drain hole into a suitable container.
2. Flush with water	Fill the tank with fresh water and run through the system. Operate the spray gun until the system is completely flushed. Be sure to set up containers to capture the antifreeze flush water.
3. Disposal	Dispose of the antifreeze and flush water properly.

Troubleshooting

⚠ WARNING

Before troubleshooting or attempting to service, read the following safety rules to avoid accidental exposure to chemical and also risk of electric shock.

Note: A reserve, clean container capable of holding at least 26 gallons should be kept for use when the sprayer tank needs to be emptied temporarily for repairs. It is advisable to purchase a reserve tank suitable for pesticide storage from Northern Tool and Equipment for use in these circumstances. The container should be properly labeled as to its contents if it is used. In addition, it may be advisable to empty the tank contents using a transfer pump if the tank drain hole is inaccessible while the sprayer is mounted on the vehicle.

Before attempting to service the sprayer:

1. Personal protective equipment	Wear personal protective equipment as directed on the chemical label while servicing your sprayer.
2. Review troubleshooting table	Review the Troubleshooting Table below for the type of problem you are experiencing. However, DO NOT attempt to repair until the steps listed below are followed.
3. Empty and flush	If the cause listed for your problem is Clogged intake tube, Clogged suction strainer, or Worn spray gun nozzle: empty the tank and flush the sprayer with water as directed in the section, " Operation – Step 4. ". <i>- In order to avoid accidental exposure to chemicals, never attempt to unclog the intake tube or suction strainer, or service the spray gun nozzle, until the tank has been emptied and the sprayer flushed with water.</i>
4. Disconnect power/relieve pressure	Disconnect power to the sprayer and be sure all system pressure is relieved by squeezing the gun trigger.
5. Perform repairs	Follow the directions provided in the troubleshooting table to repair the sprayer. <i>NOTE: Never try to unclog the sprayer nozzle by blowing through it.</i>
6. Test after servicing	After servicing, ALWAYS test the sprayer for leaks with plain water before using.

PROBLEM	CAUSE	SOLUTION
Pump will not turn on	Bad electrical connection	Check battery connections
	Fuse blown	Replace fuse
	Short in wires	Check condition of wires
	Low voltage	Check voltage
Low pressure	Worn spray gun nozzle	Replace spray gun
	Worn boom nozzle	Replace boom nozzle
Low flow	Clogged intake tube	Remove obstruction
	Clogged suction strainer	Clean suction strainer
	Low voltage	Check voltage
Poor spray distribution	Clogged intake tube	Remove obstruction
	Suction strainer clogged	Clean suction strainer
	Worn spray gun nozzle	Replace spray gun
Pump cycles while not spraying	Leak in the system	Tighten leaking hose clamps or fittings, replace spray gun

Specifications

Specifications	Electrical connection VDC	Max. Amp draw from pump in Amps
Electrical System Requirements	12	17.0
Sprayer	Max. GPM [LPM]	Max. Pressure in PSI (bar)
	5.5 [20.8]	60 (4.1)
Tank Maximum Capacity in Gallons (Litres)	26 (98)	
Overall Dimensions in Inch (cm)	27.9" x 18" x 15" (71 cm x 45cm x 38cm)	
Dry Weight / Weight full of water in lbs (kgs)	66.1 (30) / 282.6 (128.2)	

Component Materials*

Tank.....	Polyethylene, EPDM
Suction Tube.....	Polypropylene, PVC, Stainless Steel, Polycarbonate
Hose.....	PVC
Pump.....	Polypropylene, Viton [®] , Santoprene [®] , Stainless Steel
Valves.....	Polypropylene, Polyacetal, Viton [®] , Nylon
Gun & Nozzle.....	Brass, EPDM, NBR, Aluminum, Stainless Steel
Boom Components.....	Stainless Steel, Polypropylene, Polyacetal

*Before using any chemical, check to ensure the chemical is compatible with all materials in the system

The noise emissions from this product do not exceed 70dB(A).

Note: The sprayer is not compatible with bleach, chlorine and ice control chemicals. Also, pumping any petroleum based fluid (gasoline, diesel, kerosene, and oil) will severely damage the pump.

The manufacturer reserves the right to make improvements in design and/or changes in specifications at any time without incurring any obligation to install them on units previously sold.

Any Questions, Comments, Problems or Parts Orders
Call NorthStar Product Support 1-800-270-0810

Exploded View – 99922 - Rev J

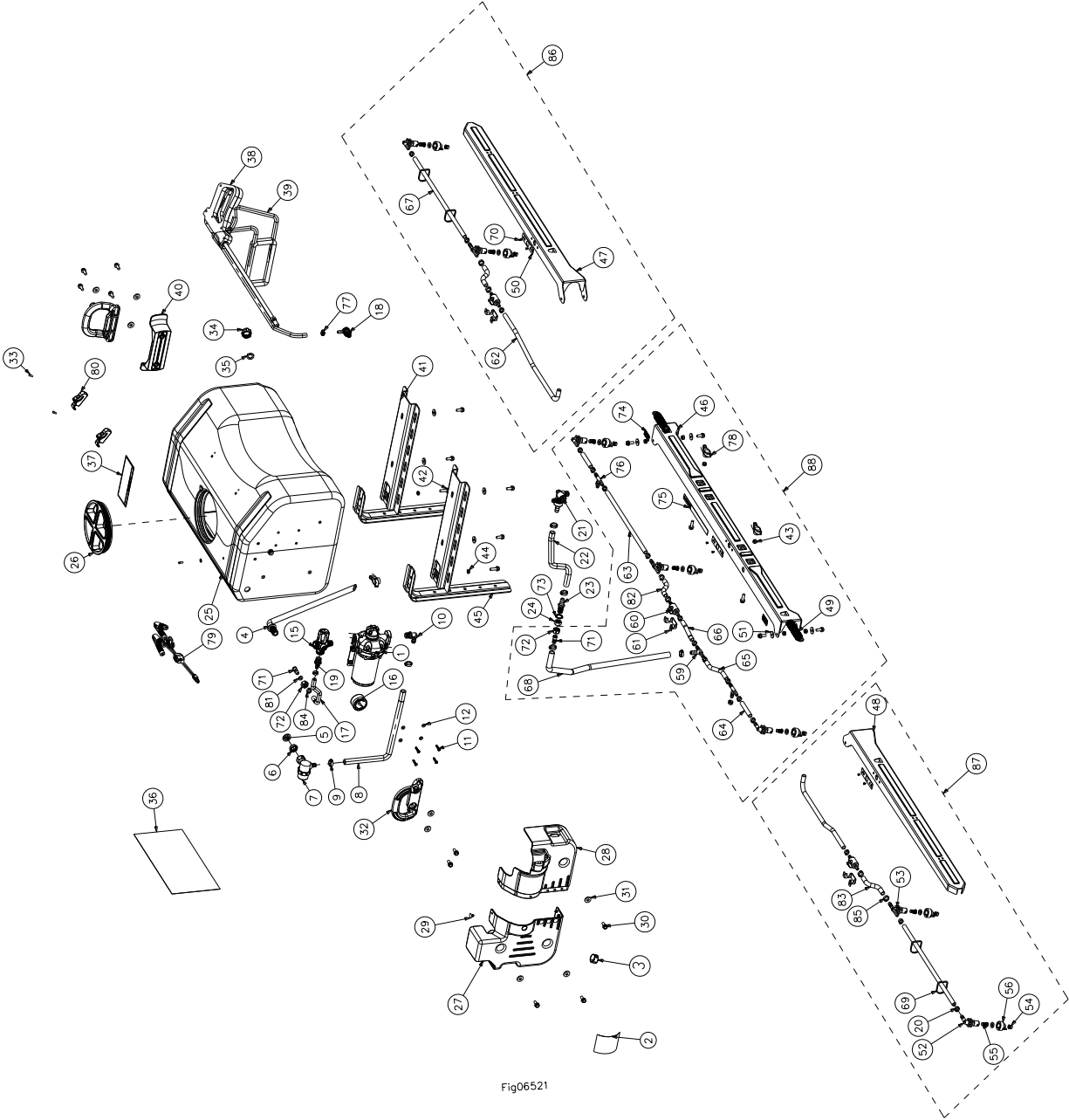
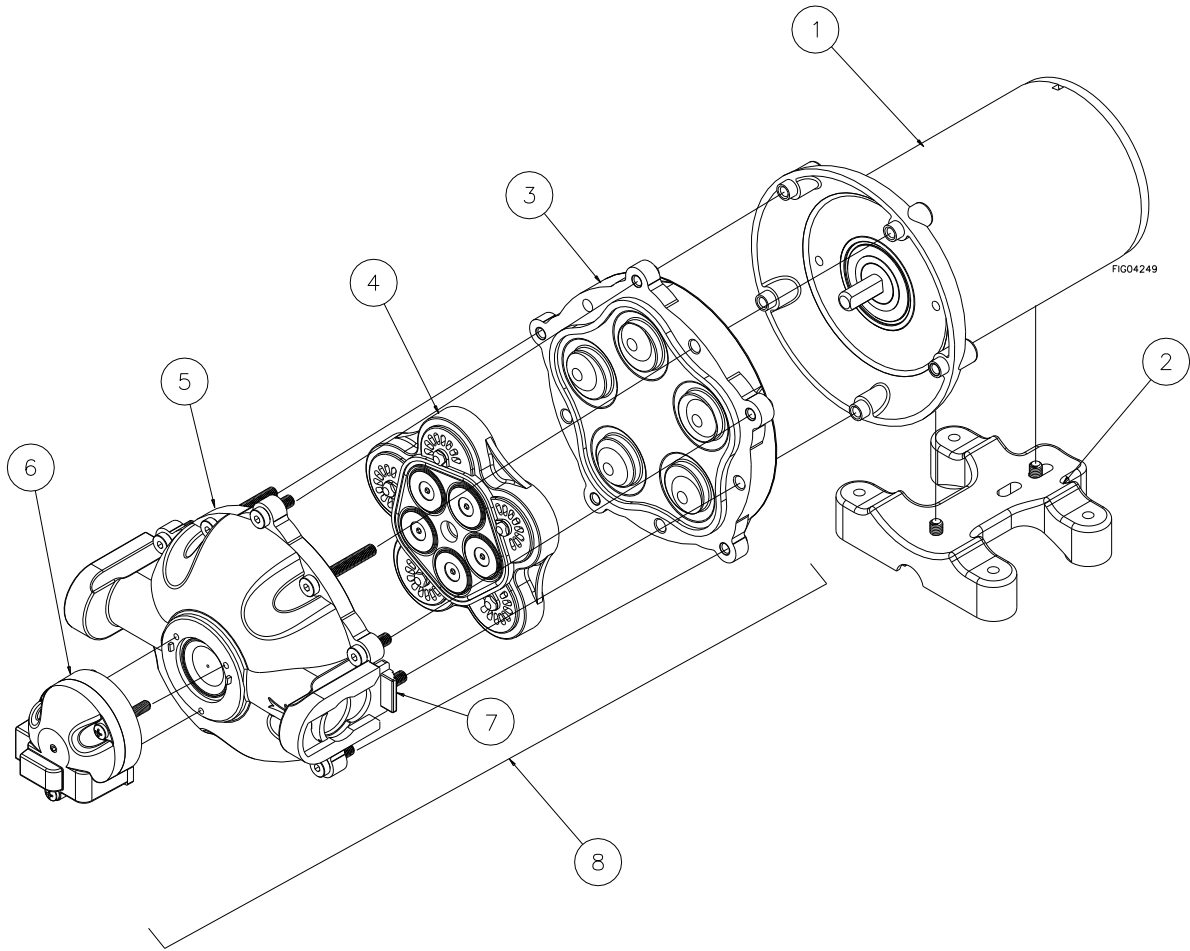


Fig06521

Exploded View – 99922 - Rev J

Ref#	Part#	Description	Qty	Ref#	Part#	Description	Qty
1	2685562	5562 (5.5gpm QC pump), no decal	1	44	82697	5/16"-18 jam nut	2
2	798891	Decal, 5562 side cover	1	45	798537	Boom mount	2
3	803877	Snap bushing	1	46	798534	Boom, center	1
4	798530	Suction tube	1	47	798535	Boom arm, left	1
5	798532	Gasket, suction tube	1	48	798536	Boom arm, right	1
6	798531	Swivel nut, 1/2" NPS	1	49	53471	Extension spring	2
7	789882	Strainer	1	50	798359	Decal, valve on/off	3
8	798617	Hose, 1/2" wire rein., 470mm	1	51	82608	5/16" x 24mm OD nylon washer	4
9	797792	Hose clamp, 1/2", 21mm ID	4	52	802556	Nozzle body, single hose barb	4
	804231	Hose clamp, 1/2", 22mm ID	2	53	802555	Nozzle body, double hose barb	3
10	787197	Fitting, QC x 1/2" elbow	1	54	797718	Nozzle, fan, 110 degrees, white	7
11	82061	Screw, #10-24 x 1 1/8"	4	55	797593	Nozzle check valve	7
12	82068	#10 flat washer	5	56	797717	Nozzle cap, white	7
13	-	-	-	57	-	-	-
14	-	-	-	58	-	-	-
15	791093	100 psi diverter, drilled	1	59	797662	1/2" x 3/8" HB tee	1
16	791465	Pressure gauge, 0-100, back mount	1	60	792424	3/8" HB ball valve	3
17	798627	Bypass hose	1	61	797661	Bracket, ball valve	3
18	778383	1/4" MPT x 3/8"HB, elbow	1	62	798631	3/8" Wire rein. hose, 550mm	2
19	787192	QC, 3/8" straight	1	63	798632	3/8" Wire rein. hose, 375mm	1
20	784436	Hose clamp, 15.3mm ID	19	64	798633	3/8" Wire rein. hose, 80mm	2
	797791	Hose clamp, 15.7mm ID (spray gun)	1				
21	798498	Ball valve	1	65	798634	3/8" Wire rein. hose, 130mm	1
22	798622	1/2" braided PVC hose, 350mm	1	66	798635	3/8" Wire rein. hose, 100mm	1
23	777454	Nozzle hose barb	1	67	797708	3/8" Wire rein. hose, 483mm	2
24	5230	Nozzle nut	1	68	798624	1/2" braided PVC hose, 800mm	1
25	798524	Tank, 26-gallon	1	69	791168	Zip tie	4
26	794111	Cap w/ tether, tow behind	1	70	82690	M4-0.7 x 6mm flat head screw	6
27	803902	Cover, left	1	71	798569	1/2" flat seat HB for 11/16" nut	2
28	803903	Cover, right	1	72	777853	Swivel nut	2
29	798533	Rivets, plastic	7	73	82703	M18 spring lock washer	1
30	82015	5/16"-18 x 3/4" Bolt	17	74	798567	Decal, pinch point	2
31	82021	5/16"-Flat washer	13	75	798894	Decal, sprayer warning	1
32	798525	Handle	2	76	792422	3/8" HB Tee	2
33	82059	#10 x 1/2" screw	3	77	30746	Hose clamp, 3/8"	1
34	37680	Drain cap	1	78	38578	Locking knob	4
35	5232	Garden hose washer	1	79	797599	Wire harness w/ clamps	1
36	798626	Billboard label	1		791419	25A Fuse	1
37	777499	Sprayer warning label	1	80	798480	Gun clip w/ hose retainer	2
38	798573	Spray gun w/ nozzle tip	1	81	799452	Washer, 11/16" swivel nut seal	1
	799022	Nozzle tip, 2.8 orifice		82	797700	Hose, 3/8" preform, boom center	1
39	793566	Gun hose, 3/8" braided PVC, 15'	1	83	799470	Hose, 3/8" preform, boom arm	2
40	798514	Hose wrap	1	84	799504	Hose clamp, 17.5mm ID	7
41	798538	Tank mount	2	85	-	-	-
42	82016	5/16"-18 x 1" Bolt	4	86	799550	Left boom arm assembly	1
43	82020	5/16"-18 nyloc nut	6	87	799551	Right boom arm assembly	1
				88	799552	Boom center assembly	1

Exploded View – 2685562



Ref#	Part#	Description	Qty
1	800138	Motor assembly	1
2	800428	Base plate assembly	1
3	788019	Diaphragm assembly	1
4	788015	Valve plate assembly	1
5	787012	Upper housing assembly	1
6	788689	Pressure switch assembly	1
7	787015	Quick connect clip	2
8	A2685562	Pump head assembly	1
N/A	791416	Replacement fuse	1

Appendix A –Boom Spray Calibration Tables

Below are some guidelines to help you calibrate your tow behind broadcast sprayer. This is a very important step in operating the tow behind broadcast sprayer such that too much or too little chemical may be applied.

1. Using **Table 1**, find a table that corresponds with the chemical manufacturer's suggested application rate (gallons per acre, gallons per 10000 sq. ft., or gallons per 100 sq. ft.).
2. Find the application rate that is closest to the chemical manufacturer's recommendations.
3. The speed to drive your ATV is listed below the application rates.

TABLE 1

SPRAY HEIGHT	PRESSURE (PSI)	GALLONS PER ACRE – based on water at 20” spacing						
		2 MPH	3 MPH	4 MPH	5 MPH	6 MPH	8 MPH	10 MPH
20”	30	102.5	68.3	51.2	41.0	34.2	25.6	20.5
20”	40	118.8	79.2	59.4	47.5	39.6	29.7	23.8
20”	50	132.2	88.1	66.1	52.9	44.1	33.0	26.4

SPRAY HEIGHT	PRESSURE (PSI)	GALLONS PER 10,000 sq.ft. – based on water at 20” spacing						
		2 MPH	3 MPH	4 MPH	5 MPH	6 MPH	8 MPH	10 MPH
20”	30	23.5	15.7	11.8	9.40	7.86	5.89	4.71
20”	40	27.3	18.2	13.6	10.9	9.11	6.83	5.46
20”	50	30.3	20.2	15.2	12.1	10.13	7.60	6.08

4. Use **Table 2** to choose the throttle setting on your ATV.

TABLE 2

Speed (MPH)	Time required in seconds to travel a distance of:		
	100 ft.	200 ft.	300 ft.
1	68	136	205
2	34	68	102
3	23	45	68
4	17	34	51
5	14	28	41
6	11	23	34
7	9.5	19	29

5. The coverage area can be found by dividing tank size by the application rate.

Example: 31 gallons divided by 12 gallons/acre = 2.58 acre of coverage per tank

Limited Warranty

Dear Valued Customer:

The NorthStar Product you just purchased is built with the finest material and craftsmanship. Use this product properly and enjoy the benefits from its high performance. By purchasing a NorthStar product, you show a desire for quality and durability. Like all mechanical equipment this unit requires a due amount of care. Treat this unit like the high quality piece of machinery it is. Neglect and improper handling may impair its performance. Please thoroughly read the instructions and understand the operation before using your product.

Limited Warranty

NorthStar shall warranty any piece of equipment manufactured, or parts of equipment manufactured, to be free from defects in material or workmanship for a period of 2 years for noncommercial/nonrental use and a period of 90 days for commercial/rental use from the date of purchase by user.

NorthStar shall warranty any wear item, including, but not limited to, valves, seals, pump diaphragms, hoses, and filter elements to be free from defects in material or workmanship for a period of 90 days from the date of purchase by user. This warranty applies to the original purchaser of the equipment and is non-transferable. Verification of purchase is the responsibility of the buyer. Parts will be replaced or repaired at no charge, except when the equipment has failed due to lack of proper maintenance. Any misuse, abuse, alteration or improper installation or operations will void warranty. Determining whether a part is to be replaced or repaired is the sole decision of NorthStar.

NOTE: Some services performed by parties other than NorthStar may void warranty.

This warranty covers parts only. It will not provide for replacement of complete products due to defective parts.

Components not manufactured by NorthStar are guaranteed by their manufacturer and can be serviced at factory-authorized locations near you. Any costs incurred due to replacement or repair of items outside of a NorthStar approved facility is the responsibility of the buyer and not covered under warranty. NorthStar can supply you with the service center location in your area.

This warranty specifically excludes the following; failure of parts due to damage caused by accident, fire, flood, windstorm, acts of God, applications not approved by NorthStar in writing, corrosion caused by chemicals, use of replacement parts which do not conform to manufacturer's specifications, and damage caused by vandalism. Additional exclusions: loss of running time, inconvenience, loss of income, or loss of use, including any implied warranty of merchantability of fitness for a specific use.

Warranty does not cover items subject to normal wear such as tires, receptacles or any part subject to direct physical contact by the public. This warranty does not cover any personal injury or damage to surrounding property caused by failure of any part.

This warranty is in lieu of any other warranty expressed or implied and NorthStar assumes no other responsibility or liability outside that expressed within this warranty.

Please fill in the following information and have it on hand when you call in on a warranty claim.

Customer Number: _____

Date of Purchase: _____

NorthStar Serial Number: _____

Item Number: _____



Manufactured by
Northern Tool + Equipment Co., Ltd.
Burnsville, MN 55306
NorthernTool.com
Assembled in Mexico with foreign components