

Owner's Instruction and Operation Manual

VOGELZANG

Model Number:

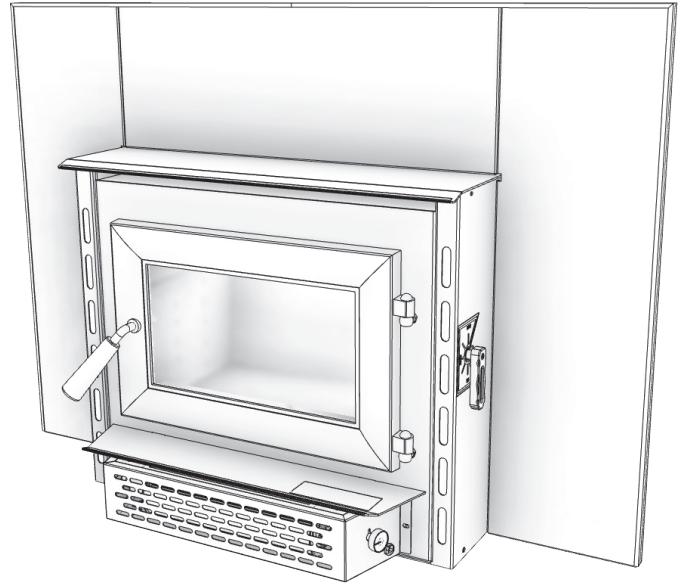
VG1820
PFS
C  US

Report Number: F19-552

Tested Per EPA Methods ALT-125, ASTM E2515,
ASTM E3053 and CSA B415

Certified to: UL 1482-2022, ULC-628-93

Do not install this heater in a mobile home or trailer.



* All Pictures In This Manual Are For Illustrative Purposes Only. Actual Product May Vary.

853653H-1903N

Save These Instructions In A Safe Place For Future Reference.



SAFETY NOTICE: If this heater is not properly installed, a house fire may result. For your safety, follow the installation instructions. Never use make-shift compromises during the installation of this heater. Contact local building or fire officials about permits, restrictions and installation requirements in your area. **NEVER OPERATE THIS PRODUCT WHILE UNATTENDED.**



CAUTION! Please read this entire manual before you install or use your new room heater. Failure to follow instructions may result in property damage, bodily injury, or even death. Improper Installation Will Void Your Warranty!

U.S. Environmental Protection Agency

Certified to comply with 2020 particulate emissions standards.

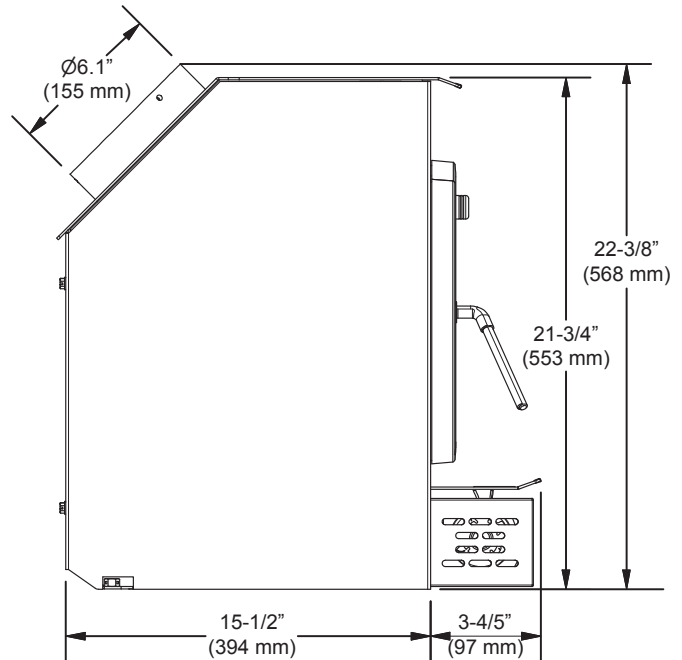
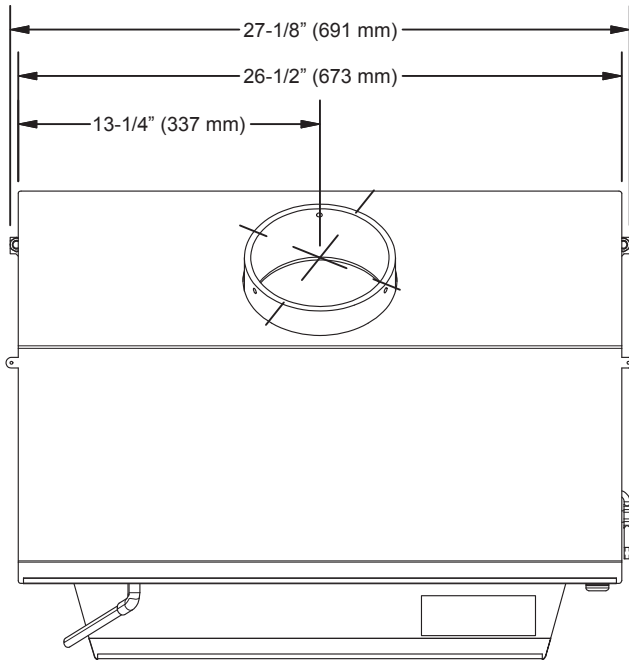


CALIFORNIA PROPOSITION 65 WARNING:

This product can expose you to chemicals including carbon monoxide, which is known to the State of California to cause cancer, birth defects, and/or other reproductive harm. For more information, go to www.P65warnings.ca.gov

THIS MANUAL IS SUBJECT TO CHANGE WITHOUT NOTICE.

The instructions pertaining to the installation of your wood stove comply with UL 1482-2011 (R2015) and ULC-628-93 standards. This manual describes the installation and operation of the Vogelzang, VG1820 wood heater. This heater meets the 2020 U.S. Environmental Protection Agency’s crib wood emission limits for wood heaters sold after May 15, 2020. Under specific test conditions this heater has been shown to deliver heat at rates ranging from 9,487 to 33,050 Btu/hr output (*1.8 g/hr and an efficiency of 65.5%). Note: The BTU ratings mentioned above are based on the EPA test protocol burning dimensional Douglas Fir lumber. Our advertised BTU’s are based on the first hour of operation at high burn rate burning cordwood.



CAUTIONS:

- **HOT WHILE IN OPERATION. KEEP CHILDREN, CLOTHING AND FURNITURE AWAY. CONTACT MAY CAUSE SKIN BURNS.**
- **DO NOT USE CHEMICALS OR FLUIDS TO IGNITE THE FIRE.**
- **DO NOT LEAVE THE STOVE UNATTENDED WHEN THE DOOR IS SLIGHTLY OPENED.**
- **DO NOT BURN GARBAGE, FLAMMABLE FLUID SUCH AS GASOLINE, NAPHTHA OR MOTOR OIL.**
- **DO NOT CONNECT TO ANY AIR DISTRIBUTION DUCT OR SYSTEM.**
- **ALWAYS CLOSE THE DOOR AFTER THE IGNITION.**



Note: Register your product by using your smart phone with the QR code. Save your receipts with your records for any warranty claims.

You can also register your product online at www.usstove.com/support/product-registration / OR by downloading the US Stove Company app available for iOS and Android.

For Customer Service, please call:
1-800-750-2723 Ext 5050 or;
Text to 423-301-5624 or;
Email us at:
customerservice@usstove.com

INSTALLATION CHECKLIST



Your wood stove should be installed by a qualified installer only. An NFI qualified Installer can be found at www.nficertified.org/public/find-an-nfi-pro/

CUSTOMER SERVICE

1-800-750-2723 ext 5050

Text to 423-301-5624

Email to: Customerservice@usstove.com

COMMISSIONING CHECKLIST

This Checklist is to be completed in full by the qualified person who installs this unit. Keep this page for future reference. Failure to install and commission according to the manufacturer's instructions and complete this checklist will invalidate the warranty.

Please Print

Customer Name:	Telephone Number:
Address:	
Model:	
Serial Number:	
Installation Company Name:	Phone Number:
Installation Technician's Name:	License Number:

DESCRIPTION OF WORK

Location of installed appliance: _____

Chimney System: New Chimney System Yes No If yes, Brand _____

If no, Date of inspection of the existing chimney system: _____

COMMISSIONING

- Confirm Hearth Pad Installation as per Installation Instructions
- Confirm proper placement of internal parts.....
- Check soundness of door gasket and door seals
- Confirm clearances to combustibles as per installation instructions in this manual
- Check the operations of the air controls
- Confirm all flue pipe and chimney system are secure and sealed
- Confirm the stove properly drafts when fired.....
- Check to ensure a CO alarm is installed as per local building codes and is functional.....
- Explain the safe operation, proper fuel usage, cleaning, and routine maintenance requirements

Declaration of Completion: As the qualified person responsible for the work described above, I confirm that the appliance as associated work has been installed as per manufacturer's instructions and following any applicable building and installation codes.

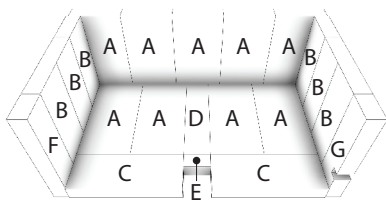
Signed: _____ Print Name: _____ Date: _____

Home Owner: RETAIN THIS INFORMATION FOR FUTURE REFERENCE

FOR CUSTOMER SERVICE CALL: 800-750-2723 EXT 5050

FIREBRICK INSTALLATION

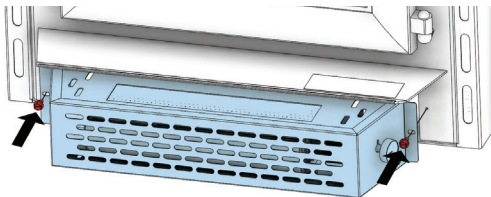
CAUTION: RISK OF FIRE!
<ul style="list-style-type: none"> • REPLACE FIREBRICKS BEFORE FIRING WOODSTOVE. POSITION FIREBRICKS SO NO GAPS REMAIN BETWEEN BRICKS. • NEVER OPERATE THIS APPLIANCE WITH MISSING OR CRACKED FIREBRICK. • KEEP FURNISHINGS AND OTHER COMBUSTIBLE MATERIALS AWAY FROM THE STOVE AND OUTSIDE MINIMUM CLEARANCES.



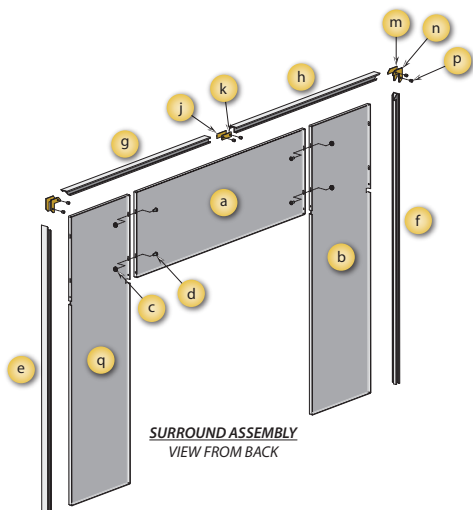
BLOWER INSTALLATION

Remove blower assembly from packaging and check for any damage. Notify your dealer if any damages exist.

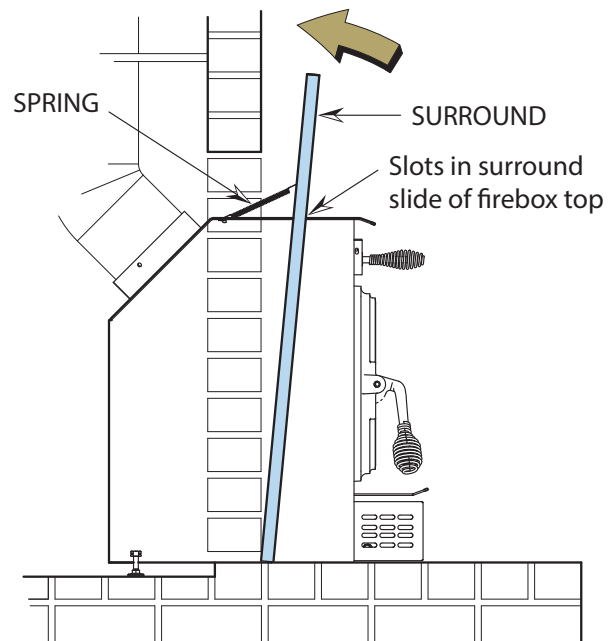
Securely mount the blower to the heater with the two (2) screws and washers provided.



ASSEMBLE THE SURROUND



1. Lay pieces face down on carpet or other soft surface to protect finish during assembly. The Surround consists of two side panels, a top panel, and a decorative trim frame.
2. Bolt the top panel (a) to the side panels (b & q) so the top surfaces are flush to one another using items c and d.
3. Assemble the trim frame. The trim consists of a left (f) and right (e) side piece and a split top piece (left h, right g). These are joined by corner connectors (m,n,&p) and two straight center connectors (j&k). These slide into the channel on the back of the frame and are secured with two set screws (p) in each piece.
4. The trim slides over the surround assembly and is secured at the base of each side with a machine screw.
5. The Surround Assembly is then slid over the appliance. Slots in the two side panels accommodate the hood at the top of the appliance. The surround assembly is held in place with two springs at the top of either corner of the appliance.



6. Connect power cord of blower to grounded receptacle.
7. Firebrick extends the life of your stove and radiates heat more evenly. If firebricks were removed to position appliance, replace them before firing appliance. See illustration for proper orientation and positioning. Install the back row first, then sides and finally install bottom firebricks.

SAFETY NOTICE

- IF THIS STOVE IS NOT PROPERLY INSTALLED, A HOUSE FIRE MAY RESULT. TO REDUCE THE RISK OF FIRE, FOLLOW THE INSTALLATION INSTRUCTIONS.
- CONSULT YOUR MUNICIPAL BUILDING DEPARTMENT OR FIRE OFFICIALS ABOUT PERMITS, RESTRICTIONS AND INSTALLATIONS REQUIREMENTS IN YOUR AREA.
- USE SMOKE DETECTORS IN THE ROOM WHERE YOUR STOVE IS INSTALLED.
- KEEP FURNITURE AND DRAPES WELL AWAY FROM THE STOVE.
- NEVER USE GASOLINE, GASOLINE-TYPE LANTERN FUEL, KEROSENE, CHARCOAL LIGHTER FLUID, OR SIMILAR LIQUIDS TO START OR "FRESHEN UP" A FIRE IN THIS HEATER. KEEP ALL SUCH LIQUIDS WELL AWAY FROM THE HEATER WHILE IT IS IN USE.
- IN THE EVENT OF A CHIMNEY FIRE, TURN THE AIR CONTROLS TO THE CLOSED POSITION, LEAVE THE BUILDING AND CALL THE FIRE DEPARTMENT IMMEDIATELY!
- DO NOT CONNECT TO ANY AIR DISTRIBUTION DUCT OR SYSTEM.
- A SOURCE OF FRESH AIR INTO THE ROOM OR SPACE HEATED SHALL BE PROVIDED WHEN REQUIRED.
- DO NOT INSTALL THIS APPLIANCE IN A MOBILE HOME, MANUFACTURED HOME, TRAILER OR TENT (NO EXCEPTIONS PER HUD FEDERAL STANDARD: 24 CFR CH.XX).
- THIS ROOM HEATER SHALL NOT BE INSTALLED IN A FACTORY-BUILT FIREPLACE

WARNING:

- VERIFY THAT THE APPLIANCE IS PROPERLY INSTALLED BEFORE FIRING FOR THE FIRST TIME. THIS APPLIANCE SHOULD BE INSTALLED BY A QUALIFIED INSTALLER TO ENSURE A CORRECT AND SAFE INSTALLATION. NEVER USE TEMPORARY OR MAKESHIFT COMPROMISES DURING THE INSTALLATION.
- PROVIDE ADEQUATE COMBUSTION AIR TO THE ROOM WHERE THE APPLIANCE IS INSTALLED. RESTRICTING COMBUSTION AIR WILL RESULT IN A LAZY FIRE WHICH CAUSES SOOT OR CREOSOTE BUILDUP AND GREATLY REDUCES EFFICIENCY.

WARNING:

DO NOT CONNECT A WOOD BURNING APPLIANCE TO AN ALUMINUM TYPE B GAS VENT. THIS IS NOT SAFE. USE APPROVED MASONRY OR A UL 103 HT (U.S.) LISTED RESIDENTIAL TYPE AND BUILDING HEATING APPLIANCE CHIMNEY. USE A 6" DIAMETER CHIMNEY, THAT IS HIGH ENOUGH TO CREATE SUFFICIENT DRAFT.



We recommend that our woodburning hearth products be installed and serviced by professionals who are certified in the U.S. by the National Fireplace Institute® (NFI) as NFI Woodburning Specialists or who are certified in Canada by Wood Energy Technical Training (WETT).



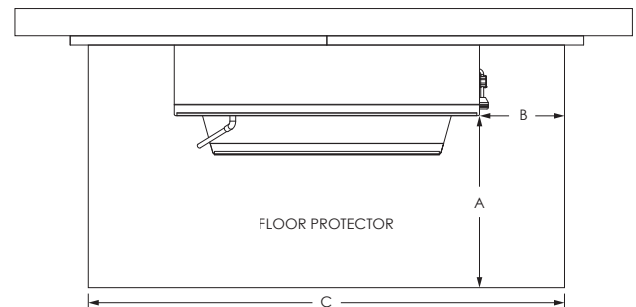
Your heater should be installed by a qualified NFI (US) or WETT (Canada) technician. To find the nearest qualified installer, go to:

<https://nficertified.org>,

<https://www.wettinc.ca/>

FLOOR PROTECTOR

A solid non-combustible floor, concrete or solid masonry, must extend 6" (153 mm) to either side of the body of the appliance and 17" (432 mm) in front of the face of the appliance. When combustible flooring falls within these minimum dimensions, it must be covered with a listed floor protector, with an R-Value of at least 1.4. Check local building codes if you want to finish the floor covering with grouted ceramic floor tile.

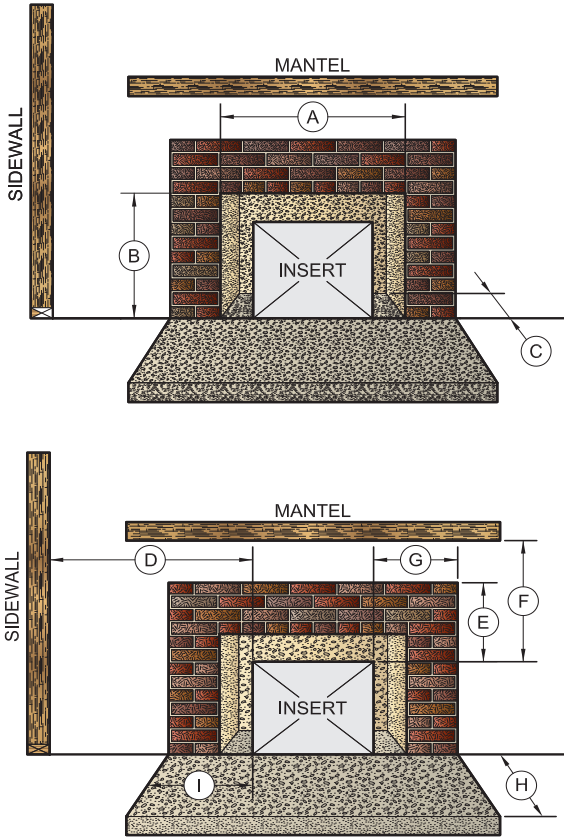


A	17"	432 mm
B	*6"	*153 mm
C	38" U.S.A.	966 mm
	42" CAN.	1067 mm
* = Canadian installations requires 8" (204 mm)		

CLEARANCES TO COMBUSTIBLES

WARNING: RISK OF FIRE

OBSERVE THE MINIMUM CLEARANCES TO COMBUSTIBLES STATED IN THIS MANUAL AND ON THE LABELS ATTACHED TO THE APPLIANCE. DO NOT STORE WOOD, ANY TYPE OF FLAMMABLE VAPORS OR LIQUIDS, PLACE FURNITURE, RUGS, CARPET, CLOTHING OR OTHER COMBUSTIBLE OBJECTS WITHIN THE CLEARANCE AREA.



Fireplace Opening Dimensions			
A	Minimum Width	29"	737 mm
B	Minimum Height	23"	585 mm
C	Minimum Depth	14"	356 mm
Clearance to Combustibles			
D	Min. Distance to Sidewall	9"	229 mm
E	Min. Distance to Top Trim	14"	356 mm
F	Min. Distance to Mantle	19"	483 mm
G	Min. Distance to Side Trim	9"	229 mm
H	Min. Floor Protector Front	17"	432 mm
I	Min. Floor Protector Side	USA	6"
		Canada	8"
		153 mm	204 mm

OUTSIDE COMBUSTION AIR

WARNING:

ALWAYS CONNECT THIS APPLIANCE TO A CHIMNEY THAT VENTS TO THE OUTSIDE. NEVER VENT INTO ANOTHER ROOM, CRAWL SPACE, ATTIC, OR INSIDE A BUILDING. DO NOT CONNECT THIS UNIT TO A CHIMNEY FLUE SERVING ANOTHER APPLIANCE.

Your appliance itself does not create draft. Draft is provided by the chimney.

To achieve proper draft your chimney must meet the three minimum height requirements (see masonry chimney section of this manual). A minimum draft of 0.05 w.c. (measured in water column) is required for proper drafting to prevent back puffing, smoke spillage, and to maximize performance. Gauges to measure draft are readily available at stove stores and are economical to rent or purchase. Factors such as wind, barometric pressure, trees, terrain and chimney temperature can have an adverse effect on the draft. The manufacturer cannot be held responsible for external factors leading to less than optimal drafting. Should you have a problem with inadequate draft, you should contact a licensed heating and cooling contractor for assistance in solving the problem.

FIREPLACE CONDITION AND ZERO CLEARANCE REQUIREMENTS

A masonry fireplace must meet minimum code requirements, National Fire Protection Association, (NFPA) 211, or the equivalent for a safe installation. Contact a professional, licensed installer, your local building inspector or the local fire authority for the requirements in your area. Your insurance company should be able to recommend a qualified inspector.

Inspections should include the following:

1. Condition of the fireplace and chimney. A masonry fireplace and chimney **MUST** be inspected prior to installation of this appliance. They must be free from cracks, loose mortar, creosote deposits, blockage or other evidence of deterioration. If found, these items **MUST** be repaired prior to installation. **DO NOT REMOVE BRICKS or MORTAR** from existing fireplace when installing this unit.
2. Chimney Size. Minimum chimney size is 6" (153 mm) diameter. Maintain a 15 ft. minimum overall chimney height measured from the top of appliance to the top of the chimney. Chimneys must extend at least 3 ft. above the roof and at least 2 ft. above the highest point within 10 ft. of the chimney top. See the Chimney Connections section of this manual.

3. Chimney Caps - Mesh type chimney caps and spark arrestors must be able to be removed for regular inspection and cleaning. Otherwise the mesh should be removed to prevent possible plugging. Check your local fire and building codes.
4. Chimney Liner - The chimney must be suitable for burning solid fuel. Install a continuous stainless steel liner from the flue collar of the appliance to the top of the chimney. Liner must be Listed to UL 1777.
5. Combustible Material Clearances - The fireplace and chimney must be inspected to make sure there is adequate clearance to combustible materials. This includes the top, side, front, and back as well as concealed combustibles in the chimney and mantle areas. Your local building inspector or fire authority should have information on whether older fireplace meet current codes and are suitable for use.
6. Makeup Air Requirements - This appliance requires an adequate supply of makeup air to operate safely and efficiently. In some areas, this is a building code requirement. Inadequate air supply will cause poor combustion, inefficient operation, creosote buildup, back drafting and smoke puffing into the living areas. If any of the following conditions are evident, a makeup air supply **MUST** be installed.
 - a. Existing fuel-fired equipment shows evidence of back puffing, smoke roll-out, inefficient operation, or excessive smell in the living area.
 - b. Opening a window or door alleviates any of the above problems or symptoms.
 - c. The building is constructed with a well-sealed vapor barrier, tight fitting windows, or has powered exhaust fans.
 - d. Excessive condensation on windows in the winter.
 - e. The building has a ventilation system installed.
 - f. If, once installed, the solid-fuel appliance does not draw steadily, burns poorly or inefficiently, back-drafts or experiences back-puffing when adding fuel.

appliances do not create draft, draft is provided by the chimney. This appliance requires a draft of 0.05" water column (0.1 Pa) at the flue collar. To achieve proper draft, your chimney must meet three minimum height requirements; minimum height from top of appliance (15 ft. total height from top of appliance), minimum height above roof penetration (3 ft.), and minimum height (2 ft.) above highest point of roof within a 10 ft. diameter from the chimney. The chimney must also meet minimum and maximum cross sectional requirements. For that reason a continuous 6" stainless steel liner from the flue collar to the top of the chimney is required. A stainless steel adapter is recommended for fastening the stainless steel liner to the flue collar. The male (or crimped) end of the adapter must be installed inside the flue collar to allow condensation or creosote in the liner to drain back into the firebox. Chimney liners and/or adapters must be permanently fastened using a minimum of three (3) screws at each connection. Chimneys outside of the home or on an exterior wall are difficult to keep at operating temperatures and may result in increased creosote buildup, less draft, back drafting problems and poor appliance performance and should be avoided.

WARNING:

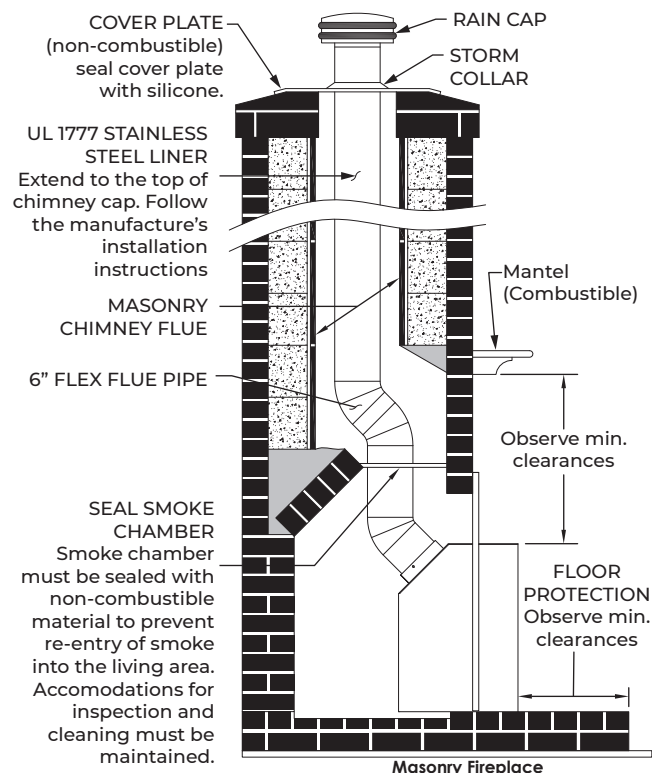
RISK OF FIRE - DO NOT ALLOW COMBUSTIBLE MATERIALS (CARPET, FURNITURE, FUELS) TO BE PLACED ON OR COVER THE FLOOR PROTECTOR. ALL COMBUSTIBLE MATERIALS MUST REMAIN OUTSIDE OF THE MINIMUM CLEARANCE DIMENSIONS.

VENTING (DRAFT) REQUIREMENTS

WARNING:

RISK OF FIRE - EXCESSIVE DRAFT CAN CAUSE OVERFIRING AND A POSSIBLE STRUCTURE FIRE. DO NOT OPERATE THIS APPLIANCE WITH THE FLUE DRAFT EXCEEDING 0.06 in. w.c. (0.1 Pa).

The chimney flue is a critical component to the proper and efficient operation of any heating appliance. Heating



1. Clean the fireplace opening properly disposing of any ashes in a closed metal container. See Safety Instructions.
2. Install a 6" (153 mm) minimum diameter, continuous stainless steel chimney liner into the existing chimney. The liner must extend to the top of the existing chimney. Use only listed chimney liners that meet UL 1777(US) or ULC S635 (Canada).
3. Remove or lock the fireplace damper in the open position. Note: Masonry or damper plate may be removed to accommodate the chimney liner provided this does not weaken any structural components of the existing fireplace or chimney nor reduces protection of combustible materials required by national building codes. Consult with your local building or fire authority before doing this.
4. Uncrate the appliance, remove all packing materials, and any items stored in the firebox.
5. **WARNING:** Any fireplace which has had parts removed or modified to accommodate the installation of this appliance **MUST** have a warning plate permanently installed in a visible location stating that the fireplace is unfit for use with solid fuel. This unit came with a metal warning label. Permanently attach the warning plate to a visible location in the fireplace. After choosing a visible location in the fireplace, permanently attach the warning plate by screwing or nailing it into place. Note: Use the holes in the label to mark and predrill the holes needed for attaching the label.
6. Position the appliance into the fireplace opening until the top lip of the air jacket is flush with the fireplace facing.
7. Level the appliance with the adjusting screws at the rear of the appliance.
8. Connect the chimney liner to the appliance using a stainless steel adapter and securing with a minimum of three (3) sheet metal screws. The liner **MUST** be attached with the male (or crimped) end of the adapter inside the flue collar of the appliance to allow condensation and/or creosote to drain back into the firebox.

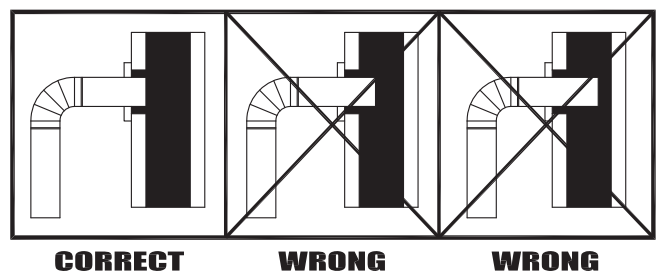
This appliance must be connected to a listed Stainless Steel Liner, that meets UL1777, which extends from the collar to the chimney cap according to the specifications listed on the previous pages. Take into account the chimney's location to ensure it is not too close to neighbors or in a valley which may cause unhealthy or nuisance conditions.

CHIMNEY DRAFT

NOTE: A DRAFT READING OF 0.05[12.45] to 0.06[14.94] (Water Column[Pascals]) IS REQUIRED FOR PROPER BURNING OF THIS APPLIANCE.

Draft is a function of the chimney, NOT THE APPLIANCE – Do not expect the appliance to draw. Smoke spillage into the house or excess buildup of condensation or creosote in the chimney are warnings that the chimney is NOT functioning properly. Correct the problem before using the appliance. Following are some possible causes for improper draft.

1. The connector pipe may be pushed into the chimney too far, stopping the draft.
2. If the chimney is operating too cool, water will condense in the chimney and run back into the appliance. Creosote formation will be rapid and may block the chimney. Operate the appliance at a fire level high enough to keep the chimney warm preventing this condensation.
3. If the fire burns well but sometimes creates excessive smoke or burns slowly, it may be caused by the chimney top being lower than another part of the house or a nearby tree. The wind blowing over a house or tree falls on top of the chimney like water over a dam, beating down the smoke. The top of the chimney should be at least three (3) feet above the roof and be at least two (2) feet higher than any point of the roof within ten (10) feet.



IMPORTANCE OF PROPER DRAFT

Draft is the force which moves air from the appliance up through the chimney. The amount of draft in your chimney depends on the length of the chimney, local geography, nearby obstructions and other factors. Too much draft may cause excessive temperatures in the appliance. Inadequate draft may cause backpuffing into the room and "plugging" of the chimney. Inadequate draft will cause the appliance to leak smoke into the room through appliance and chimney connector joints. An uncontrollable burn or excessive temperature indicates excessive draft.

Chimneys perform two functions:

1. As a means of exhausting smoke and flue gases which are the result of fuel combustion.
2. The chimney provides “draft,” which allows oxygen to be continuously introduced into the appliance, so that proper combustion is possible. This stove relies on natural draft to operate.

NOTICE: Always provide a source of fresh air into the room where the stove is located. Failure to do so may result in air starvation of other fuel burning appliances and the possible development of hazardous conditions, fire, or death.

IMPORTANT INSTALLATION POINTS

WARNING:

BE SURE YOUR CHIMNEY IS SAFELY CONSTRUCTED AND IN GOOD REPAIR. HAVE THE CHIMNEY INSPECTED BY THE FIRE DEPARTMENT OR A QUALIFIED INSPECTOR. YOUR INSURANCE COMPANY SHOULD BE ABLE TO RECOMMEND A QUALIFIED INSPECTOR.

WARNING:

CANADA INSTALLATIONS REQUIRES THAT THIS FIREPLACE MUST BE INSTALLED WITH A CONTINUOUS CHIMNEY LINER OF 6 INCH DIAMETER EXTENDING FROM THE FIREPLACE INSERT TO THE TOP OF THE CHIMNEY. THE CHIMNEY LINER MUST CONFORM TO THE CLASS 3 REQUIREMENTS OF CAN/ULC-S635, STANDARD FOR LINING SYSTEMS FOR EXISTING MASONRY, OR CAN/ULC-S640, STANDARD FOR LINING SYSTEMS FOR NEW MASONRY CHIMNEYS.

WARNING:

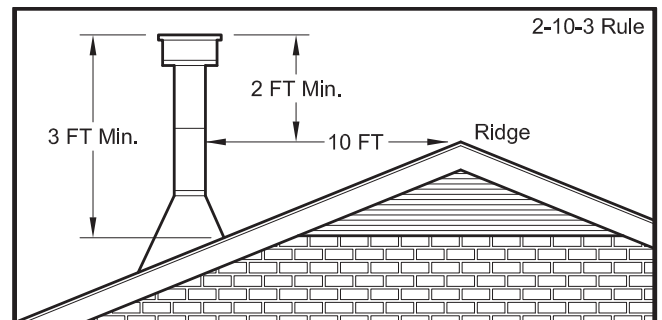
PERMANENTLY SEAL ANY OPENING BETWEEN THE MASONRY OF THE FIREPLACE AND THE FACING MASONRY.

1. Size chimney flue to appliance collar. This stove requires a minimum 6” diameter flue.
2. Never connect this unit to a chimney serving another appliance.
3. The chimney must meet all minimum height requirements.
4. Never use a chimney to ventilate a cellar or basement.

Contact your local building authority for approved methods of installation and any necessary permits and/or inspections.

MASONRY CHIMNEY

Before using an existing masonry chimney, clean the chimney, inspect the flue liner, and make any repairs needed to be sure it is safe to use. As mentioned previously, this appliance requires a continuous stainless steel liner from the appliance collar to the chimney cap. Make repairs before attaching the stove. The connector stove pipe and fittings you will need to connect directly to a masonry chimney are detailed in the installation instructions. If the fireplace chimney must go through a combustible wall before entering the main chimney, consult a qualified mason or chimney dealer regarding proper materials that meet all local building and fire authority codes. The installation must conform to local building and fire codes and latest edition of NFPA 211. If there is a cleanout opening in the base of the chimney, close it tightly.



NEVER OPERATE THIS PRODUCT WHILE UNATTENDED

OPERATING SAFETY PRECAUTIONS

- NEVER OVERFIRE THIS APPLIANCE BY BUILDING EXCESSIVELY HOT FIRES AS A HOUSE/BUILDING FIRE MAY RESULT. YOU ARE OVERFIRING THE APPLIANCE IF IT BEGINS TO GLOW OR TURN RED.
- DO NOT TAMPER WITH THE COMBUSTION AIR CONTROL OF THIS UNIT BEYOND NORMAL ADJUSTMENT RANGE.
- NEVER BUILD EXCESSIVELY LARGE FIRES IN THIS TYPE OF APPLIANCE AS DAMAGE TO THE FIREBOX OR SMOKE LEAKAGE MAY RESULT.
- DO NOT BUILD FIRE TOO CLOSE TO THE GLASS.
- HOT WHILE IN OPERATION. KEEP CHILDREN, CLOTHING, AND FURNITURE AWAY. CONTACT MAY CAUSE SKIN BURNS. DO NOT TOUCH THE APPLIANCE UNTIL IT HAS COOLED.
- PROVIDE ADEQUATE AIR FOR COMBUSTION TO THE ROOM WHERE THE APPLIANCE IS INSTALLED.
- INSPECT CHIMNEY LINER EVERY 60 DAYS. REPLACE LINER IMMEDIATELY IF IT IS RUSTING OR LEAKING SMOKE INTO THE ROOM.
- ATTEMPTS TO ACHIEVE HEAT OUTPUT RATES THAT EXCEED HEATER DESIGN SPECIFICATIONS CAN RESULT IN PERMANENT DAMAGE TO THE HEATER.
- TO PREVENT INJURY, DO NOT ALLOW ANYONE TO USE THIS APPLIANCE THAT IS NOT FAMILIAR WITH ITS CORRECT OPERATION. DO NOT OPERATE THIS APPLIANCE WHILE UNDER THE INFLUENCE OF ALCOHOL OR DRUGS.
- IF THERE ARE ANY MISSING OR DAMAGED COMPONENTS OF THE APPLIANCE, CONTACT YOUR DEALER IMMEDIATELY. DO NOT OPERATE THIS APPLIANCE WITH MISSING OR DAMAGED PARTS.

CAUTIONS: HOUSE FIRE HAZARDS

- DO NOT STORE WOOD ON FLOOR PROTECTOR, UNDERNEATH STOVEPIPE(S) OR ANYWHERE WITHIN CLEARANCES TO COMBUSTIBLE SURFACES SPECIFIED FOR THIS APPLIANCE.
- NEVER OPERATE WITH SECONDARY TUBES, FIBERBOARD, OR INSULATION REMOVED.

CAUTIONS:

CHILDREN SHOULD BE ALERTED TO THE HAZARDS FROM HIGH SURFACE TEMPERATURES. NEVER LEAVE SMALL CHILDREN UNSUPERVISED WHEN THEY ARE IN THE SAME ROOM AS THE APPLIANCE DURING OPERATION. TO PREVENT BURNS, ALWAYS WEAR PROTECTIVE CLOTHING, LEATHER HEARTH GLOVES, AND EYE PROTECTION WHEN REFUELING OR FIRE MAINTENANCE. ALWAYS BE AWARE OF HEATED SURFACES. HEAT RADIATING FROM THE APPLIANCE CAN POTENTIALLY DISCOLOR, MELT, OR EVEN IGNITE COMBUSTIBLE MATERIALS. KEEP ALL COMBUSTIBLE MATERIALS WELL AWAY FROM THE HEATER!

WARNING: EXPLOSION HAZARD

- NEVER USE CHEMICALS, GASOLINE, GASOLINE-TYPE LANTERN FUEL, KEROSENE, CHARCOAL LIGHTER FLUID, OR SIMILAR FLAMMABLE LIQUIDS TO START OR "FRESHEN UP" A FIRE IN THE APPLIANCE.
- KEEP ALL FLAMMABLE LIQUIDS, ESPECIALLY GASOLINE, OUT OF THE VICINITY OF THE APPLIANCE - WHETHER IN USE OR IN STORAGE.

WOOD STOVE UTILIZATION

Your heating appliance was designed to burn well seasoned natural wood only; no other materials should be burned. Any type of well seasoned natural wood may be used in your stove, but specific varieties have better energy yields than others. Higher efficiencies and lower emissions generally result when burning air dried seasoned hardwoods, as compared to softwoods or too green or freshly cut hardwoods. The following resources can assist in learning the burn characteristics of various species of wood:

<http://firewoodresource.com/firewood-btu-ratings/>; or <https://forestry.usu.edu/forest-products/wood-heating>

The operation of this wood heater in a manner inconsistent with the owner's manual will void your warranty and is also against federal regulations. Waste and other flammable materials should not be burned in your stove. DO NOT BURN:

1. Garbage;
2. Lawn clippings or yard waste;
3. Materials containing rubber, including tires;
4. Materials containing plastic;

5. Waste petroleum products, paints or paint thinners, or asphalt products;
6. Materials containing asbestos;
7. Construction or demolition debris;
8. Railroad ties or pressure-treated wood;
9. Manure or animal remains;
10. Saltwater driftwood or other previously salt water-saturated materials;
11. Unseasoned wood; or
12. Paper products, cardboard, plywood, or particleboard. The prohibition against burning these materials does not prohibit the use of fire starters made from paper, cardboard, sawdust, wax, and similar substances to start a fire in an affected wood heater.

Burning these materials may result in the release of toxic fumes or render the heater ineffective and cause smoke. Deadwood lying on the forest floor should be considered wet and requires full seasoning time. Standing deadwood can usually be considered to be about 2/3 seasoned. Smaller pieces of wood will dry faster. All logs exceeding 6" in diameter should be split. The wood should not be stored directly on the ground. Air should circulate through the logs. A 24" to 48" air space should be left between each row of logs, which should be placed in the sunniest location possible. The upper layer of wood should be protected from the element but not the sides. A good indicator of if the wood is ready to burn is to check the piece ends. If cracks are radiating in all directions from the center then the wood should be dry enough to burn. If your wood sizzles in the fire, even though the surface is dry, it may not be fully cured and should be seasoned longer. It is **EXTREMELY IMPORTANT** that you use **DRY WOOD** only in your wood stove. The wood should have dried for 9 to 15 months, such that the humidity content (in weight) is reduced below 20% of the weight of the log. It is very important to keep in mind that even if the wood has been cut for one, two, or even more years, it is not necessarily dry, if it has been stored in poor conditions. Under extreme conditions, it may rot instead of drying. This point cannot be overstressed; the vast majority of the problems related to the operation of a wood stove is caused by the fact that the wood used was too damp or had dried in poor conditions. These problems can be:

- ignition problems
- creosote build-up causing chimney fires
- low energy yield
- blackened windows
- incomplete log combustion

Do not burn manufactured logs made of wax impregnated sawdust or logs with any chemical additives.

TESTING YOUR WOOD

- When the stove is thoroughly warmed, place one piece of split wood (about five inches in diameter) parallel to the door on the bed of red embers.
- Keep the air control fully open and close the door. If the wood ignites within 90 seconds from the time it was placed in the stove, your wood is correctly dried. If ignition takes longer, your wood is damp.
- If your wood hisses and water or vapor escapes at the ends of the piece, your wood is soaked or freshly cut (green). Do not use this wood in your stove. Large amounts of creosote could be deposited in your chimney, creating potential conditions for a chimney fire.

TAMPER WARNING

This wood heater has a manufacturer-set minimum low burn rate that must not be altered. It is against federal regulations to alter this setting or otherwise operate this wood heater in a manner inconsistent with operating instructions in this manual.

EFFICIENCIES

Efficiencies can be based on either the lower heating value (LHV) or the higher heating value (HHV) of the fuel. The lower heating value is when water leaves the combustion process as a vapor, in the case of woodstoves the moisture in the wood being burned leaves the stove as a vapor. The higher heating value is when water leaves the combustion process completely condensed. In the case of woodstoves this would assume the exhaust gases are room temperature when leaving the system, and therefore calculations using this heating value consider the heat going up the chimney as lost energy. Therefore, efficiency calculated using the lower heating value of wood will be higher than efficiency calculated using the higher heating value. The best way to achieve optimum efficiencies is to learn the burn characteristic of your appliance and burn well-seasoned wood. Higher burn rates are not always the best heating burn rates; after a good fire is established a lower burn rate may be a better option for efficient heating. A lower burn rate slows the flow of usable heat out of the home through the chimney, and it also consumes less wood.

INITIAL BURNS TO CURE PAINT

BECAUSE OF THE HIGH OPERATING TEMPERATURES, THIS APPLIANCE IS COATED WITH A SPECIAL HIGH TEMP PAINT WHICH REQUIRES A SERIES OF LOW TO MEDIUM BURNS TO FULLY CURE FOR DURABILITY AND A LIFETIME OF SERVICE.

ATTENTION:

THE PAINT ON YOUR APPLIANCE IS DURABLE BUT WILL NOT STAND ROUGH HANDLING OR ABUSE. THE PAINT USED MAY GIVE OFF SMOKE AND/OR AN ODOR DURING THE FIRST FEW FIRES. THIS WILL OCCUR UNTIL THE PAINT HAS CURED. ANIMALS / PEOPLE WITH LUNG PROBLEMS SHOULD NOT BE PRESENT DURING THE CURING PROCESS. BUILD SMALL FIRES AT FIRST TO HELP THIS PROCESS AND OPEN WINDOWS AND DOORS AS NEEDED TO CLEAR THE SMOKE AND ODOR. IF THE APPLIANCE IS OVERFIRED, THE PAINT WILL DISCOLOR. WHEN INSTALLING YOUR UNIT, TAKE CARE IN HANDLING. CLEAN WITH SOAP AND WATER WHEN THE APPLIANCE IS NOT IN USE. DO NOT USE ANY ACIDS, ABRASIVE CLEANERS OR SCOURING SOAP AS THESE SOLVENTS WEAR AND DULL THE FINISH.

Proper curing of the high-temp paint requires a series of three initial burns. The appliance should be allowed to cool off between each burn. The first two burns should be small fires and low temperatures (250°F) for a duration of 20 minutes each. The third fire should be at a temperature of approximately 500°F for 20 minutes. Provide adequate cross ventilation to clear any smoke or odor caused by initial firings.

Notice: Use solid wood fuel only! Do not burn garbage, or flammable fluids. Do not use coal. This appliance is not designed to accommodate the air flow (draft) required to properly burn coal or coal products. Do not elevate the fire using grates or irons. Build the fire directly on the firebrick.

FUELING INSTRUCTIONS

This wood stove has been certified by the US EPA to meet strict 2020 guidelines. To ensure this unit produces the optimal minimum emissions it is critical that only well-seasoned cordwood is burned (see the "Fuel Recommendations" section of this manual). Burning unseasoned wet wood only hurts your stoves efficiency and leads to accelerated creosote buildup in your chimney. Be considerate of the environment and only burn dry wood.

WARNING: RISK OF FIRE.

KEEP THE FEED DOOR TIGHTLY CLOSED AT ALL TIMES EXCEPT WHEN TENDING THE FIRE. DO NOT OPERATE THE UNIT WITH BROKEN GLASS THIS WILL RESULT IN AN OVERFIRE SITUATION.

For a cold start-up, place 3 to 4 pieces of newspaper into the firebox. On top of the newspaper, lay 2 lbs of kindling in random placement to ensure airflow through the kindling. On top of the kindling, place approximately 3 to 4 lbs of small pieces of cordwood. NOTE: Use smaller pieces of wood during start-up and a high burn rate to increase the stove temperature.



Rotate the air control fully down. Light the newspaper and close the door. Once the kindling has burned down to a starter coal bed, load the unit with approximately 12 to 13 lbs of fuel for the first high burn load.

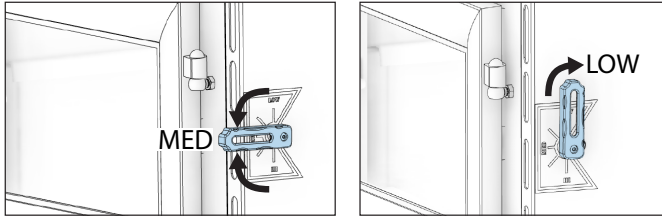


After the first high burn load and the stove is well warmed up, adjust the unit as needed for a medium or low burn setting.

For a medium burn, once the high burn fuel load is burned down to an established coal bed, load the unit with 14 to 15 lbs of cordwood and close the door immediately. Leave the air control fully open (in the "Hi" position) for 15 minutes. After 15 minutes rotate the air control to the medium position (midway between the "Low" and "Hi" position).

For a low burn setting once the high burn (or medium) fuel load is burned down to an established coal bed, load the unit with 14 to 15 lbs of cordwood and close the door immediately. Leave the air control fully open (in the "Hi"

position) for 15 minutes. After 15 minutes begin to rotate the air control to the "Low" position (air control rotated fully up). NOTE: Do not close the air too quickly. Closing the air too quickly will cause the unit to smoke.



VISIBLE SMOKE

The amount of visible smoke being produced can be an effective method of determining how efficiently the combustion process is taking place in the given settings. Visible smoke consists of unburned fuel and moisture leaving your stove. Learn to adjust the air settings of your specific unit to produce the smallest amount of visible smoke. Wood that has not been seasoned properly and has a high wood moisture content will produce excess visible smoke and burn poorly.

AIR TUBES

The air tubes assembled in this unit are designed to provide an accurate mix of secondary air to ensure the highest efficiency. Any damage or deterioration of these tubes may reduce the efficiency of combustion. The air tubes are held in position by screws or snap pins. Locate these to either side of the tube and remove it to allow the tube to be removed and replaced.

BLOWER OPERATION

WARNINGS:

- **DO NOT OVERFIRE THIS APPLIANCE. OVERFIRING WILL OCCUR IF THE FEED DOOR IS LEFT OPEN DURING OPERATION. IF ANY PART OF THE APPLIANCE GLOWS, YOU ARE OVERFIRING. ADJUST AIR CONTROLS TO A LOWER SETTING TO SLOW DOWN THE FIRE.**
- **DO NOT ELEVATE THE FIRE! BUILD THE FIRE DIRECTLY ON THE FIREBRICK. THIS APPLIANCE HAS NOT BEEN TESTED WITH THE USE OF ANY MEANS TO ELEVATE THE FIRE AND IT SHOULD NOT BE ATTEMPTED.**
- **NEVER PUT WOOD ABOVE THE FIREBRICK LINING OF THE FIREBOX.**

WARNING: RISK OF FIRE.

DO NOT ROUTE THE BLOWER POWER SUPPLY CORD NEAR OR ACROSS HOT SURFACES!

The variable-speed blower circulates air warmed by the firebox into the living area to distribute the heat more evenly. The blower control knob is located on the side of the blower housing. Turn the knob clockwise to turn the blower on. The speed is controlled by turning the knob clockwise for slower speeds and counter-clockwise for faster speeds. To turn the blower off, turn the speed control knob fully counter-clockwise. It is recommended to turn the blower off when the unit is not in operation. The blower should be removed at the beginning of every "burn" season and air-blown clean, removing any dust or build-up.

NEVER OPERATE THIS PRODUCT WHILE UNATTENDED

CAUTION:
DO NOT OVERFIRE APPLIANCE. YOU ARE OVERFIRING IF ANY PART OF THE APPLIANCE GLOWS RED. CLOSE THE DOOR AND SHUT DAMPER IMMEDIATELY TO REDUCE THE AIR SUPPLY AND SLOW DOWN THE FIRE.

CAUTION:
SLOW BURNING FIRES FOR EXTENDED USE OR BURNING GREEN WOOD MAY CAUSE EXCESSIVE CREOSOTE BUILD-UP. IGNITION OF CREOSOTE OR OVERFIRING COULD CAUSE A CHIMNEY FIRE. CHIMNEY FIRES BURN EXTREMELY HOT AND MAY IGNITE SURROUNDING COMBUSTIBLE MATERIALS. IN CASE OF A CHIMNEY FIRE, CALL THE FIRE DEPARTMENT IMMEDIATELY!

CAUTION:
A CHIMNEY FIRE MAY CAUSE IGNITION OF WALL STUDS OR RAFTERS WHICH WERE ASSUMED TO BE A SAFE DISTANCE AWAY FROM THE CHIMNEY. IF A CHIMNEY FIRE OCCURS, HAVE YOUR CHIMNEY INSPECTED BY A QUALIFIED EXPERT BEFORE USING AGAIN.

CREOSOTE FORMATION AND NEED FOR REMOVAL

When wood is burned slowly, it produces tar and other organic vapors, which combine with expelled moisture to form creosote. The creosote vapors condense in the relatively cool chimney flue of a slow-burning fire. As a result, creosote residue accumulates on the flue lining. When ignited this creosote makes an extremely high temper fire. The chimney connector and chimney should be inspected at least once every two months during the heating season to determine if a creosote build-up has occurred. If creosote has accumulated (3 mm or more), it should be removed to reduce the risk of a chimney fire. We strongly recommend that you install a magnetic thermometer on your smoke exhaust pipe, approximately 18" above the stove. This thermometer will indicate the temperature of your gas exhaust fumes within the smoke exhaust system. The ideal temperature for these gases is somewhere between 275°F and 500°F. Below these temperatures, the build-up of creosote is promoted. Above 500°F, heat is wasted since a too large quantity is lost into the atmosphere.

TO PREVENT CREOSOTE BUILD UP

ATTENTION:
CREOSOTE OR SOOT MAY BUILD UP IN THE CHIMNEY LINER OR CHIMNEY AND CAUSE A HOUSE/BUILDING FIRE. INSPECT THE CHIMNEY AND CHIMNEY LINER TWICE MONTHLY DURING THE HEATING SEASON AND CLEAN IF NECESSARY.

- Always burn dry wood. This allows clean burns and higher chimney temperatures, therefore less creosote deposit.
- Leave the air control fully open for about 5 min. every time you reload the stove to bring it back to proper operating temperatures. The secondary combustion can only take place if the firebox is hot enough.
- Always check for creosote deposit once every two months and have your chimney cleaned at least once a year.
- If a chimney or creosote fire occurs, close all dampers immediately. Wait for the fire to go out and the heater to cool, then inspect the chimney for damage. If no damage results, perform a chimney cleaning to ensure no more creosote deposits is remaining in the chimney.

ASH REMOVAL & DISPOSAL

Whenever ashes get 2 to 3 inches deep in your firebox or ash pan, and when the fire has burned down and cooled, remove excess ashes. Leave an ash bed approximately 1 inch deep on the firebox bottom to help maintain a hot charcoal bed. Ashes should be placed in a metal container with a tight-fitting lid. The closed container of ashes should be placed on a non-combustible floor or the ground, away from all combustible materials, pending final disposal. The ashes should be retained in the closed container until all cinders have thoroughly cooled.

CAUTIONS:

- **ASHES COULD CONTAIN HOT EMBERS EVEN AFTER TWO DAYS WITHOUT OPERATING THE STOVE.**
- **THE ASH PAN CAN BECOME VERY HOT. WEAR GLOVES TO PREVENT INJURY.**
- **NEVER BURN THE STOVE WITH THE ASH TRAP OPEN. THIS WOULD RESULT IN OVER FIRING THE STOVE. DAMAGE TO THE STOVE AND EVEN HOUSE FIRE MAY RESULT.**
- **ASHES SHOULD NOT BE ALLOWED TO ACCUMULATE MORE THAN TWO TO THREE INCHES IN THE FIREBOX.**

SMOKE & CO MONITORS

Burning wood naturally produces smoke and carbon monoxide(CO) emissions. CO is a poisonous gas when exposed to elevated concentrations for extended periods. While the modern combustion systems in heaters drastically reduce the amount of CO emitted out the chimney, exposure to the gases in closed or confined areas can be dangerous. Make sure your stove gaskets and chimney joints are in good working order and sealing properly to ensure unintended exposure. It is recommended that you use both smoke and CO monitors in areas having the potential to generate CO.

GLASS CARE

- Inspect and clean the glass regularly to detect any cracks. If you spot one, turn the stove off immediately. Do not abuse the glass door by striking or slamming shut. Do not use the stove if the glass is broken.
- If the glass on your stove breaks, replace only with the glass supplied from your heater dealer. Never substitute other materials for the glass.
- To replace the glass, remove the screws retaining the glass moldings inside the door. Remove the moldings and replace the damaged piece with a new one. Perform the procedure backward after replacing it. When replacing the glass, you should change the glass gasket to make sure you keep it sealed.
- Never wash the glass with a product that may scratch. Use a specialized product, available in the stores where wood stoves are sold. The glass should be washed only when cold.

GASKET CARE

<p>WARNING:</p> <p>NEVER OPERATE THE STOVE WITHOUT A GASKET OR WITH A BROKEN ONE. DAMAGE TO THE STOVE OR EVEN HOUSE FIRE MAY RESULT.</p>
--

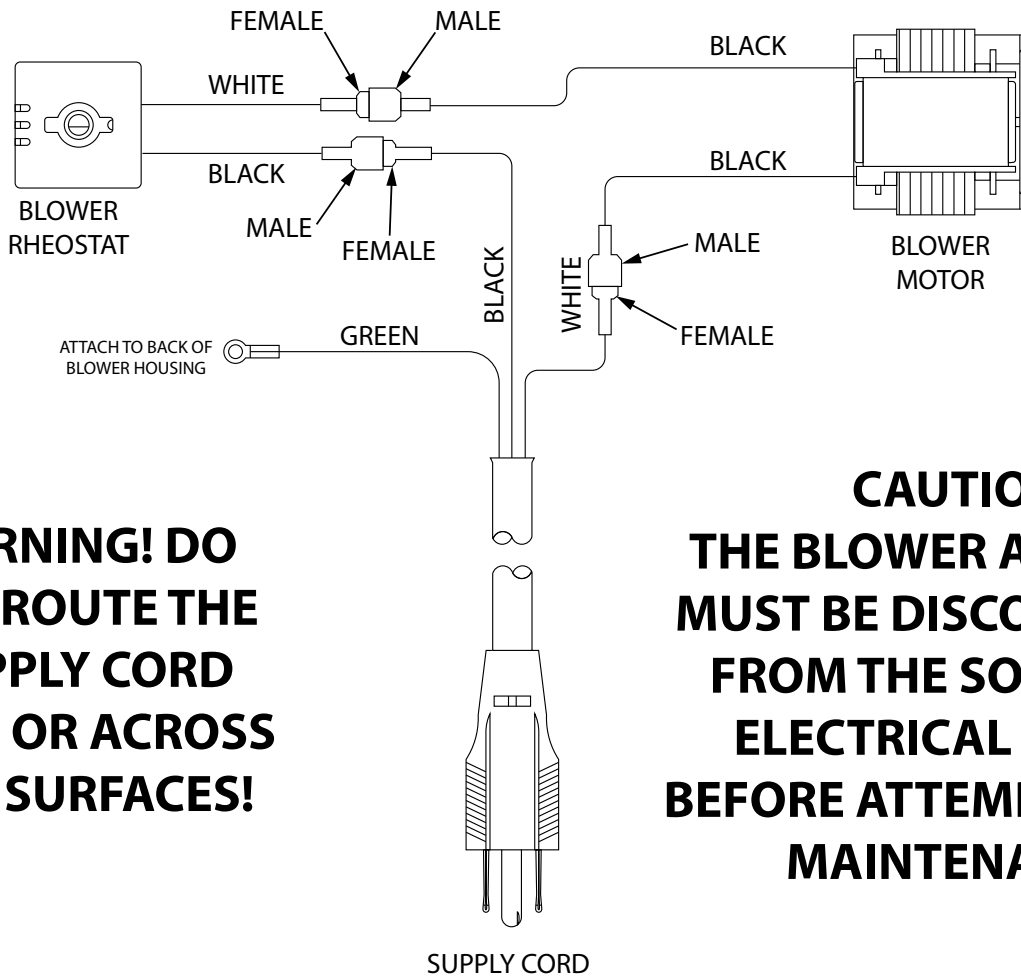
This unit's door uses a 1" diameter rope gasket. It is recommended that you change the door gasket (which makes your stove door air tight) once a year, in order to ensure good control over the combustion, maximum efficiency and security. To change the door gasket, simply remove the damaged one. Carefully clean the available gasket groove, apply a high temperature silicone sold for this purpose, and install the new gasket. You may light up your stove again approximately 24 hours after having completed this operation.

<p>ATTENTION:</p> <p>THIS WOOD HEATER NEEDS PERIODIC INSPECTION AND REPAIR FOR PROPER OPERATION. IT IS AGAINST FEDERAL REGULATIONS TO OPERATE THIS WOOD HEATER IN A MANNER INCONSISTENT WITH OPERATING INSTRUCTIONS IN THIS MANUAL.</p>

REMOVING THE INSERT FOR PURPOSE OF INSPECTION

<p>ATTENTION:</p> <p>FIREPLACE INSERT SURROUND PANELS MAY BE REMOVED TO INSPECT FIREPLACE INSERT AND FIREPLACE.</p>

1. If for any reason you must remove the insert for inspection of the appliance or fireplace, follow these rules.
2. Ensure appliance is not in operation and is thoroughly cooled.
3. Remove the surround by removing the springs retaining it to the appliance.
4. Disconnect the flue gas pipe from the appliance.
5. Slide appliance out to perform inspection.



WARNING! DO NOT ROUTE THE SUPPLY CORD NEAR OR ACROSS HOT SURFACES!

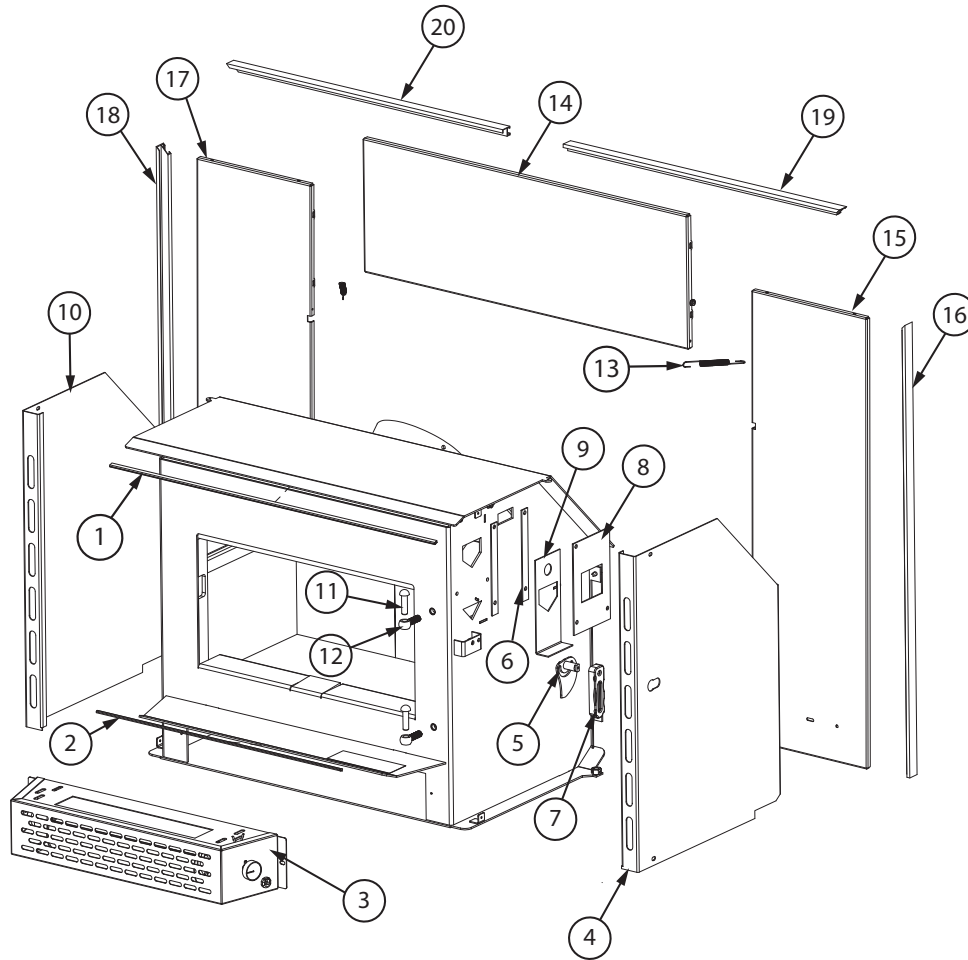
CAUTION! THE BLOWER ASSEMBLY MUST BE DISCONNECTED FROM THE SOURCE OF ELECTRICAL SUPPLY BEFORE ATTEMPTING ANY MAINTENANCE.

HOW TO ORDER REPAIR PARTS

FOR PARTS ASSISTANCE, CALL 800-750-2723 EXT 5051 OR EMAIL: PARTS@USSTOVE.COM , OR ORDER AT WWW.MYREPLACEMENTPARTS.COM

The information in this owner’s manual is specific to your unit. When ordering replacement parts the information in this manual will help to ensure the correct items are ordered. Before contacting customer service write down the model number and the serial number of this unit. That information can be found on the certification label attached to the back of the unit. Other information that may be needed would be the part number and part description of the item(s) in question. Part numbers and descriptions can be found in the “Repair Parts” section of this manual. Once this information has been gathered you can contact customer service by phone 1-800-750-2723 Ext 5051 or Email parts@usstove.com.

Model Information	
Model Number	
Serial Number	



Key	Part #	Description	Qty
1	892176	Top Trim	1
2	892177	Hearth Plate Trim	1
3	80857	Assembly, Blower	1
4	611008	Right Cabinet	1
5	893261	Damper Slide	1
6	29301	Slide Brace	2
7	893261	Wood Handle	1
8	29300	Cover	1
9	29298	Damper	1
10	611007	Left Cabinet	1
11	892294	Hinge Pin	2
12	40571	Hinge Block	2
13	83913	Extension Spring	2

14	26269	Top Surround	1
15	26364	Side Surround-R	1
16	891992-1	Surround Trim-R	1
17	26270	Side Surround-L	1
18	891992-2	Surround Trim-L	1
19	891992-3	Surround Top Trim-L	1
20	891992-4	Surround Top Trim-R	1
21	69864	Trim Kit Parts Bag (not shown)	1

To order parts:

Call 1-800-750-2723 Ext 5051 or

Email to: parts@usstove.com

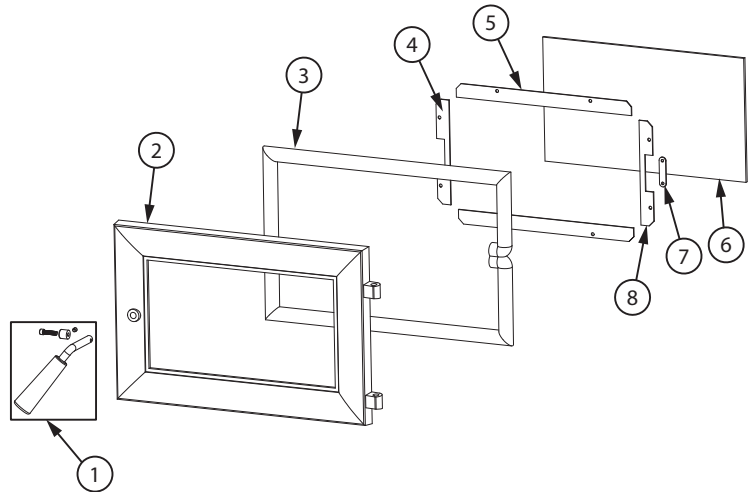
IN ORDER TO MAINTAIN WARRANTY, COMPONENTS MUST BE REPLACED USING ORIGINAL MANUFACTURERS PARTS PURCHASED THROUGH YOUR DEALER OR DIRECTLY FROM THE APPLIANCE MANUFACTURER. USE OF THIRD PARTY COMPONENTS WILL VOID THE WARRANTY.

Key	Part #	Description	Qty
1	893241-VG	Complete Door Handle	1
2	40881	Medium Sq Cast Door	1
3	88324	1" Round Rope Gasket	5.5ft
4	29211	Side Glass Clamp	1
5	29210	Top/Bottom Glass Clamps	2
6	893154	Glass	1
7	29230	Gasket Clamp	1
8	29231	Side Glass Clamp	1

To order parts:

Call 1-800-750-2723 Ext 5051 or

Email to: parts@usstove.com

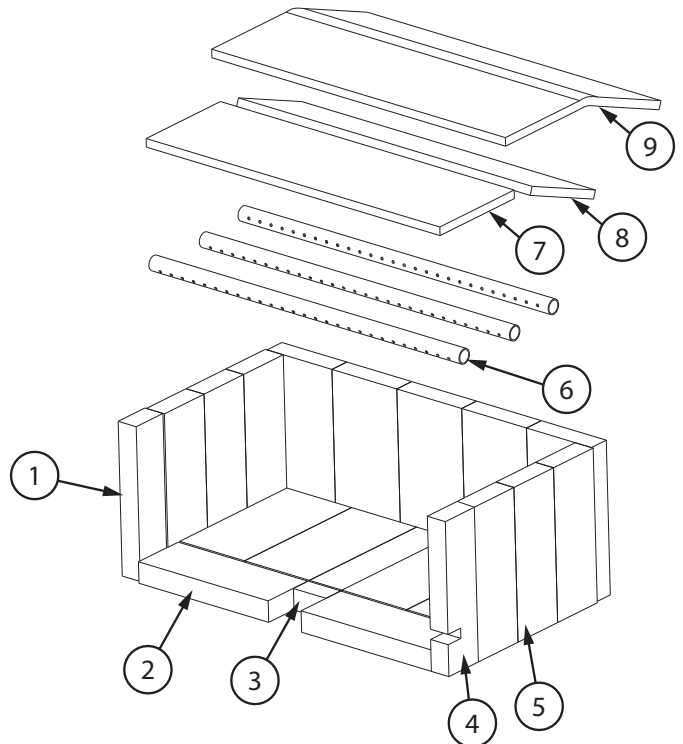


Key	Part #	Description	Qty
1	891414	Half Firebrick	2
2	89066	Firebrick (4-1/2 x 9)	9
3	891989-2	Firebrick (1-1/4 x 2-1/4)	1
4	893010	Half Firebrick (Notched)	1
5	891989-1	Firebrick (3.33 x 9)	8
6	86963	Secondary Tube	3
7	88158	Ceramic Fiber Board (Front)	1
8	88159	Ceramic Fiber Board (Rear)	1
9	88160	Blanket Insulation	1

To order parts:

Call 1-800-750-2723 Ext 5051 or

Email to: parts@usstove.com



IN ORDER TO MAINTAIN WARRANTY, COMPONENTS MUST BE REPLACED USING ORIGINAL MANUFACTURERS PARTS PURCHASED THROUGH YOUR DEALER OR DIRECTLY FROM THE APPLIANCE MANUFACTURER. USE OF THIRD PARTY COMPONENTS WILL VOID THE WARRANTY.

It is recommended that your heating system is serviced regularly and that the appropriate Service Interval Record is completed.

SERVICE PROVIDER

Before completing the appropriate Service Record below, please ensure you have carried out the service as described in the manufacturer's instructions. Always use the manufacturer's specified spare part when replacement is necessary.

Service 01	Date: _____
Engineer Name: _____	
License No.: _____	
Company: _____	
Telephone No.: _____	
Stove Inspected: <input type="checkbox"/>	Chimney Swept: <input type="checkbox"/>
Items Replaced: _____	

Service 02	Date: _____
Engineer Name: _____	
License No.: _____	
Company: _____	
Telephone No.: _____	
Stove Inspected: <input type="checkbox"/>	Chimney Swept: <input type="checkbox"/>
Items Replaced: _____	

Service 03	Date: _____
Engineer Name: _____	
License No.: _____	
Company: _____	
Telephone No.: _____	
Stove Inspected: <input type="checkbox"/>	Chimney Swept: <input type="checkbox"/>
Items Replaced: _____	

Service 04	Date: _____
Engineer Name: _____	
License No.: _____	
Company: _____	
Telephone No.: _____	
Stove Inspected: <input type="checkbox"/>	Chimney Swept: <input type="checkbox"/>
Items Replaced: _____	

Service 05	Date: _____
Engineer Name: _____	
License No.: _____	
Company: _____	
Telephone No.: _____	
Stove Inspected: <input type="checkbox"/>	Chimney Swept: <input type="checkbox"/>
Items Replaced: _____	

Service 06	Date: _____
Engineer Name: _____	
License No.: _____	
Company: _____	
Telephone No.: _____	
Stove Inspected: <input type="checkbox"/>	Chimney Swept: <input type="checkbox"/>
Items Replaced: _____	

Service 07	Date: _____
Engineer Name: _____	
License No.: _____	
Company: _____	
Telephone No.: _____	
Stove Inspected: <input type="checkbox"/>	Chimney Swept: <input type="checkbox"/>
Items Replaced: _____	

Service 08	Date: _____
Engineer Name: _____	
License No.: _____	
Company: _____	
Telephone No.: _____	
Stove Inspected: <input type="checkbox"/>	Chimney Swept: <input type="checkbox"/>
Items Replaced: _____	

Il est recommandé que votre système de chauffage est desservi régulièrement et que le Service Interval enregistré approprié est terminée.

Fournisseur de services

Avant de terminer l'enregistrement de service approprié ci-dessous, si vous plaît vous assurer que vous avez effectué le service tel que décrit dans les instructions du fabricant. Toujours utiliser pièce de rechange indiquée par le fabricant lors de remplacement est nécessaire.

Service de 02
Date: _____
Nom de l'ingénieur: _____
N° de licence: _____
Compagnie: _____
N° de téléphone: _____
Poêle Inspecté: Cheminée balayée:
Articles Remplacés: _____

Service de 01
Date: _____
Nom de l'ingénieur: _____
N° de licence: _____
Compagnie: _____
N° de téléphone: _____
Poêle Inspecté: Cheminée balayée:
Articles Remplacés: _____

Service de 04
Date: _____
Nom de l'ingénieur: _____
N° de licence: _____
Compagnie: _____
N° de téléphone: _____
Poêle Inspecté: Cheminée balayée:
Articles Remplacés: _____

Service de 03
Date: _____
Nom de l'ingénieur: _____
N° de licence: _____
Compagnie: _____
N° de téléphone: _____
Poêle Inspecté: Cheminée balayée:
Articles Remplacés: _____

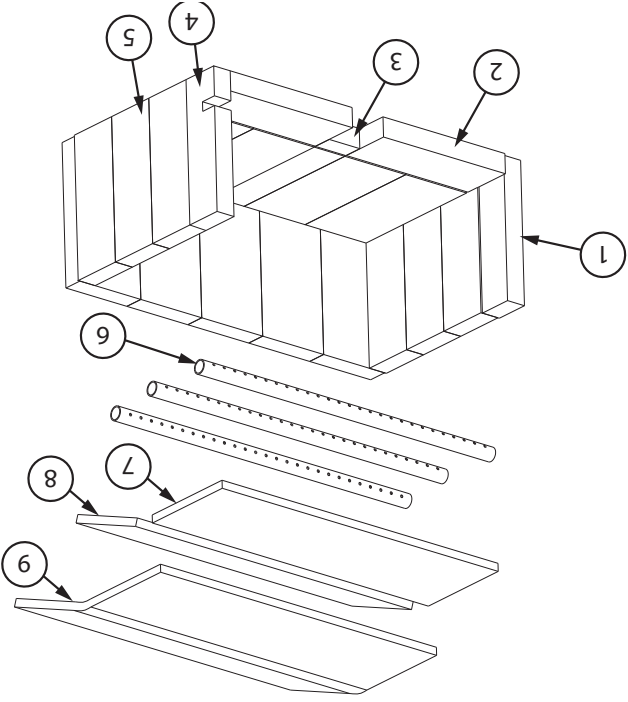
Service de 06
Date: _____
Nom de l'ingénieur: _____
N° de licence: _____
Compagnie: _____
N° de téléphone: _____
Poêle Inspecté: Cheminée balayée:
Articles Remplacés: _____

Service de 05
Date: _____
Nom de l'ingénieur: _____
N° de licence: _____
Compagnie: _____
N° de téléphone: _____
Poêle Inspecté: Cheminée balayée:
Articles Remplacés: _____

Service de 08
Date: _____
Nom de l'ingénieur: _____
N° de licence: _____
Compagnie: _____
N° de téléphone: _____
Poêle Inspecté: Cheminée balayée:
Articles Remplacés: _____

Service de 07
Date: _____
Nom de l'ingénieur: _____
N° de licence: _____
Compagnie: _____
N° de téléphone: _____
Poêle Inspecté: Cheminée balayée:
Articles Remplacés: _____

AFIN DE MAINTENIR LA GARANTIE, LES COMPOSANTS DOIVENT ÊTRE REMPLACÉS PAR DES PIÈCES D'ORIGINE ACHETÉES CHEZ VOTRE REVENDEUR OU DIRECTEMENT AUPRÈS DU FABRICANT DE L'APPAREIL. L'UTILISATION DE COMPOSANTS TIERS ANNULERA LA GARANTIE.

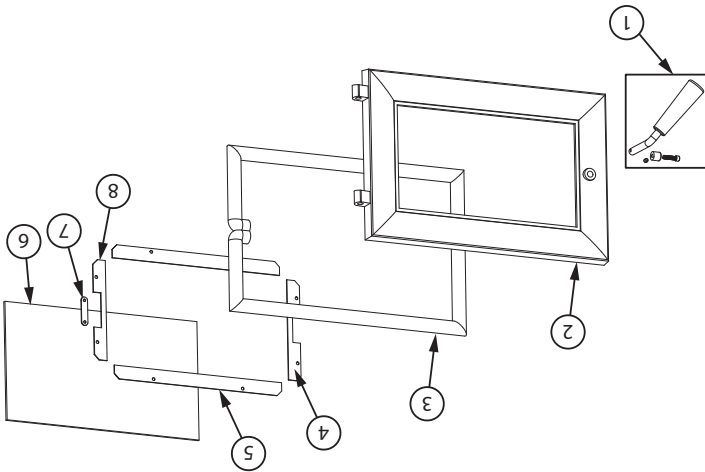


Clé	Partie #	Description	Qté
1	891414	Demi-brique réfractaire	2
2	89066	Brique réfractaire (4-1 / 2 x 9)	9
3	891989-2	Brique réfractaire (1-1 / 4 x 2-1 / 4)	1
4	893010	Demi-brique réfractaire (entailé)	1
5	891989-1	Brique réfractaire (3,33 x 9)	8
6	86963	Tube secondaire	3
7	88158	Panneau en fibre de céramique (avant)	1
8	88159	Panneau en fibre de céramique (arrière)	1
9	88160	Isolation de couverture	1

Pour commander des pièces:

Appellez le 1-800-750-2723 Ext 5051 ou

Envoyez un courriel à: parts@usstove.com



Clé	Partie #	Description	Qté
1	893241-VG	Poignée De Porte Complète	1
2	40881	Porte en fonte de taille moyenne	1
3	88324	Joint de corde ronde de 1 po 5.5pi	1
4	29211	Pince à verre latérale	1
5	29210	Pinces à verre supérieur / inférieur	2
6	893154	Un verre	1
7	29230	Collier de serrage	1
8	29231	Pince à verre latérale	1

Pour commander des pièces:

Appellez le 1-800-750-2723 Ext 5051 ou

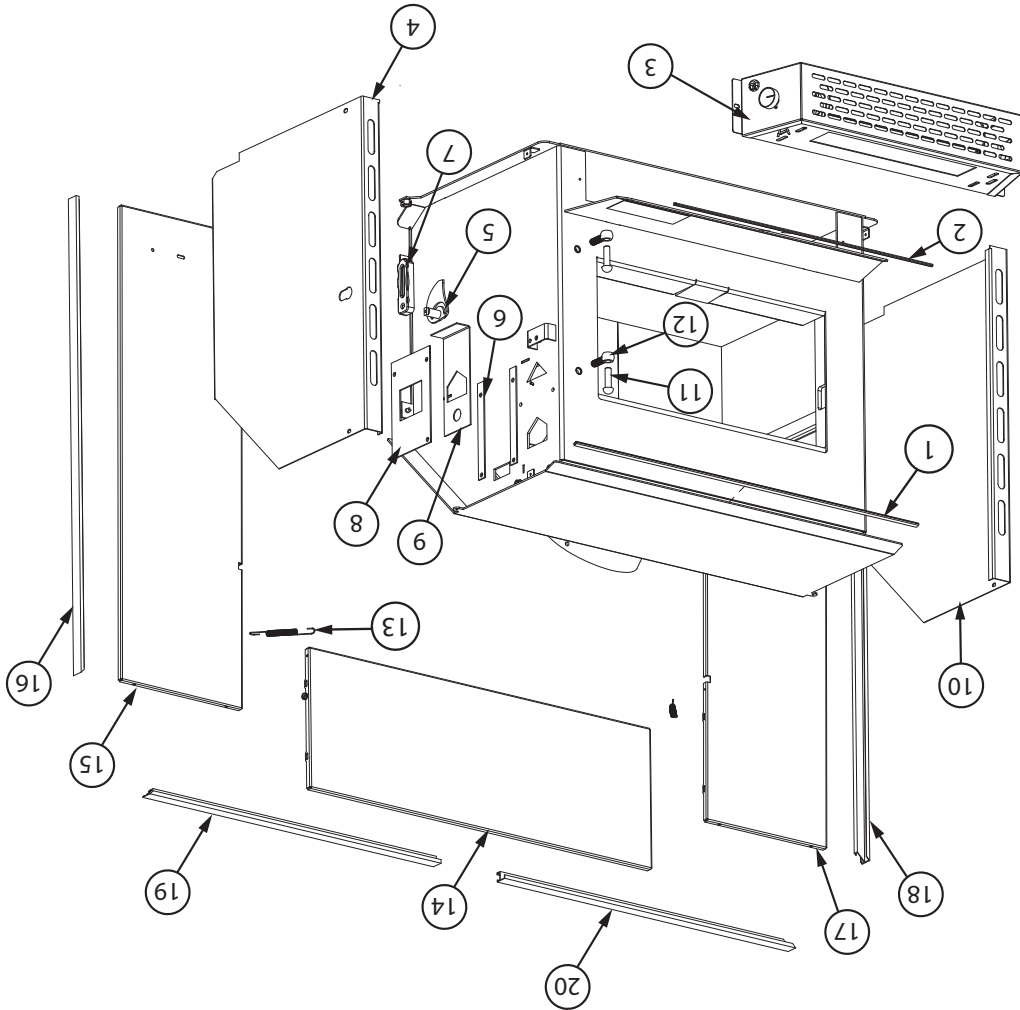
Envoyez un courriel à: parts@usstove.com

AFIN DE MAINTENIR LA GARANTIE, LES COMPOSANTS DOIVENT ÊTRE REMPLACÉS PAR DES PIÈCES D'ORIGINE ACHETÉES CHEZ VOTRE REVENDEUR OU DIRECTEMENT AUPRÈS DU FABRICANT DE L'APPAREIL. L'UTILISATION DE COMPOSANTS TIERS ANNULERA LA GARANTIE.

Clé	Partie #	Description	Qté
1	892176	Garniture supérieure	1
2	892177	Garniture de plaque de foyer	1
3	80857	Assemblage, ventilateur	1
4	611008	Cabinet droit	1
5	893261	Glissière d'amortisseur	1
6	29301	Accolade coulissante	2
7	893261	Manche en bois	1
8	29300	Couverture	1
9	29298	Amortisseur	1
10	611007	Cabinet gauche	1
11	892294	Axe De Charnière	2
12	40571	Bloc De Charnière	2
13	83913	Ressort d'extension	2

Pour commander des pièces:
 Appelez le 1-800-750-2723 Ext 5051 ou
 Envoyez un courriel à: parts@usstove.com

14	26269	Contour supérieur	1
15	26364	Surround latéral-R	1
16	891992-1	Bordure intérieure droite	1
17	26270	Surround latéral-L	
18	891992-2	Bordure intérieure gauche	1
19	891992-3	Bordure supérieure gauche	1
20	891992-4	Entourer la garniture supérieure droite	1
21	69864	Sac de pièces du kit de garniture (non illustré)	1

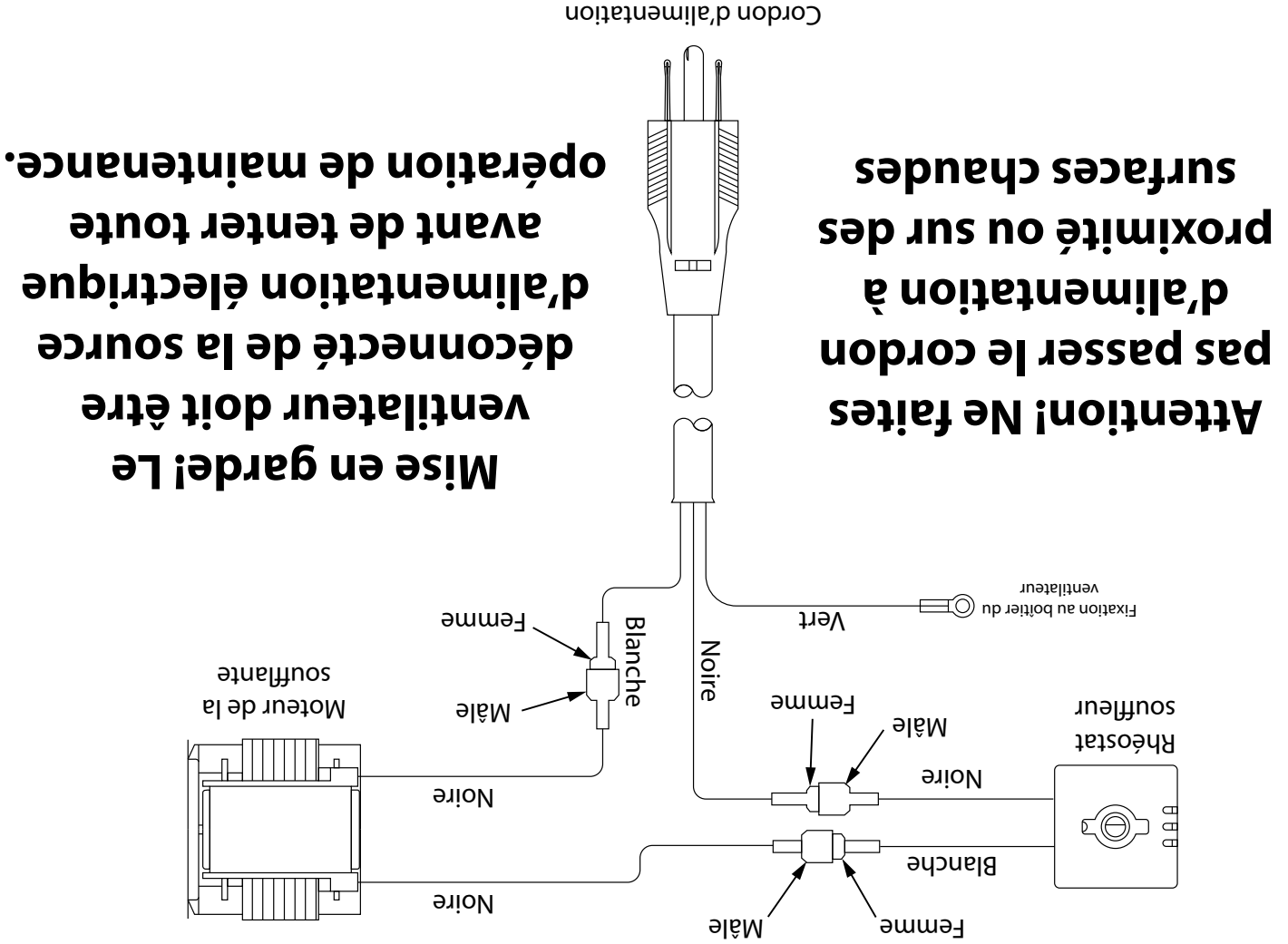


Informations sur le modèle	
Numéro de modèle	
Numéro de série	

Les informations contenues dans ce manuel du propriétaire sont spécifiques à votre appareil. Lors de la commande de pièces de rechange, les informations contenues dans ce manuel vous aideront à vous assurer que les bons articles sont commandés. Avant de contacter le service client, notez le numéro de modèle et le numéro de série de cet appareil. Cette information se trouve sur l'étiquette de certification apposée à l'arrière de l'appareil. D'autres informations qui pourraient être nécessaires sont le numéro de pièce et la description de l'article en question. Les références et les descriptions se trouvent dans la section «Pièces de réparation» de ce manuel. Une fois ces informations recueillies, vous pouvez contacter le service client par téléphone au 1-800-750-2723, poste 5051 ou par e-mail à parts@usstove.com.

Pour une assistance pièces, appelez le 800-750-2723 poste 5051 ou envoyez un e-mail : parts@usstove.com, ou commandez sur www.myreplacementparts.com

COMMANDE DE PIÈCES DE RECHANGE



métal avec un couvercle hermétique. Le contenant fermé de cendres doit être placé sur un sol incombustible ou sur le sol, à l'écart de tout matériau combustible, en attendant l'élimination finale. Les cendres doivent être conservées dans le récipient fermé jusqu'à ce que toutes les cendres aient complètement refroidi.

DÉTECTEURS DE FUMÉE ET DE CO

Le brûlage du bois produit naturellement des émissions de fumée et du monoxyde de carbone (CO). Le CO est un gaz toxique lorsqu'il est inhalé. L'exposition se fait à des concentrations élevées pour une période de temps prolongée. Bien que les systèmes de combustion modernes des chauffages réduisent de façon importante la quantité de CO émis par la cheminée, l'exposition aux gaz dans des endroits fermés ou clos peut être dangereuse. Assurez-vous que les joints d'étanchéité de votre poêle et les joints de la cheminée soient en bon état et qu'ils scellent correctement, évitant les expositions indésirables. Il est recommandé que vous utilisiez des détecteurs de fumée et de CO dans les zones où se trouve un potentiel de génération de CO.

ENTRETIEN VERRRE

- Inspectez et nettoyez régulièrement la vitre pour détecter d'éventuelles fissures. Si vous en repérez, éteignez immédiatement le poêle. N'abusez pas de la porte vitrée en la claquant ou en la claquant. N'utilisez pas le poêle si le verre est cassé.
- Si le verre de votre poêle se brise, remplacez-le uniquement par le verre fourni par votre revendeur de chauffage. Ne remplacez jamais d'autres matériaux par le verre.
- Pour remplacer la vitre, retirez les vis retenant les moulures en verre à l'intérieur de la porte. Retirez les moulures et remplacez la pièce endommagée par une nouvelle. Effectuez la procédure à l'envers après l'avoir remplacé. Lors du remplacement de la vitre, vous devez changer le joint en verre pour vous assurer de le garder scelle.
- Ne lavez jamais la vitre avec un produit qui pourrait rayer. Utilisez un produit spécialisé, disponible dans les magasins où les poêles à bois sont vendus. Le verre ne doit être lavé qu'à froid.

ENTRETIEN DES JOINT

La porte de cet appareil utilise un joint de corde de 1 po de diamètre. Il est recommandé de changer le joint de porte (qui rend la porte de votre poêle étanche à l'air) une fois par an, afin d'assurer un bon contrôle de la combustion, une efficacité et une sécurité maximales. Pour changer le joint de porte, retirez simplement celui qui est endommagé. Nettoyez soigneusement la rainure du joint disponible, appliquez un silicone haute

AVERTISSEMENT:
NE JAMAIS FAIRE FONCTIONNER LE POËLE SANS JOINT D'ÉTANCHÉITÉ OU AVEC UN CASSÉ. DES DOMMAGES AU POËLE OU MÊME UN INCENDIE PEUVENT EN RÉSULTER.

température vendu à cet effet et installez le nouveau joint. Vous pouvez rallumer votre poêle environ 24 heures après avoir terminé cette opération.

AVERTISSEMENT:
CE CHAUFFE-BOIS A BESOIN D'INSPECTION ET DE RÉPARATION PÉRIODIQUES POUR UN FONCTIONNEMENT APPROPRIÉ. IL EST CONTRE LES RÉGLEMENTS FÉDÉRAUX DE FAIRE FONCTIONNER CE CHAUFFE-BOIS D'UNE MANIÈRE INCOMPATIBLE AVEC LES INSTRUCTIONS D'UTILISATION DE CE MANUEL.

RETRAIT DE L'INSERT À DES FINS D'INSPECTION

ATTENTION:
LES PANNEAUX ENVIRONNANTS DE L'INSERT DU Foyer PEUVENT ÊTRE RETIRÉS POUR INSPECTER L'INSERT ET LE Foyer.

1. Si, pour une raison quelconque, vous devez retirer l'encastrement pour l'inspection de l'appareil ou du foyer, suivez ces règles.
2. Assurez-vous que l'appareil n'est pas en marche et est complètement refroidi.
3. Retirez le contour en retirant les ressorts qui le retiennent à l'appareil.
4. Débranchez le tuyau de gaz de combustion de l'appareil.
5. Faites glisser l'appareil pour effectuer l'inspection

NE JAMAIS UTILISER CE PRODUIT SANS SURVEILLANCE

- Vérifiez toujours le dépôt de créosote une fois tous les deux mois et faites nettoyer votre cheminée au moins une fois par an.
- En cas d'incendie de cheminée ou de créosote, fermez immédiatement tous les registres. Attendez que le feu s'éteigne et que le chauffe-eau refroidisse, puis inspectez la cheminée pour déceler tout dommage. Si aucun dommage ne se produit, effectuez un nettoyage de cheminée pour vous assurer qu'il ne reste plus de dépôts de créosote dans la cheminée.

AVERTISSEMENT:
DE LA CRÉOSOTE OU DE LA SUIE PEUVENT S'ACCUMULER DANS LA DOUBLURE DE CHEMINÉE OU LA CHEMINÉE ET CAUSER UN INCENDIE DANS LA MAISON / IMMEUBLE. INSPECTER LA CHEMINÉE ET LA DOUBLURE DE CHEMINÉE DEUX FOIS PAR MOIS PENDANT LA SAISON DE CHAUFFAGE ET NETTOYER SI NÉCESSAIRE.

AVERTISSEMENT:
UN FEU DE CHEMINÉE PEUT CAUSER L'ALLUMAGE DE GOUJONS MURAUX OU DE RAFTERS QUI ONT ÉTÉ PRÉPOSÉS ÊTRE À UNE DISTANCE SÉCURITAIRE DE LA CHEMINÉE. EN CAS D'INCENDIE DE CHEMINÉE, FAITES INSPECTER VOTRE CHEMINÉE PAR UN EXPERT QUALIFIÉ AVANT DE L'UTILISER À NOUVEAU.

ENLÈVEMENT DES CENDRES ET LEUR DISPOSITION

AVERTISSEMENT:
<ul style="list-style-type: none"> • LES CENDRES POURRAIENT CONTENIR DES EMBRES CHAUDS MÊME APRÈS DEUX JOURS SANS FONCTIONNER LE POÊLE. • LE CENDRIER PEUT DEVENIR TRÈS CHAUD. PORTEZ DES GANTS POUR ÉVITER LES BLESSURES. • NE JAMAIS BRÛLER LE POÊLE AVEC LE TRAPPE À CENDRES OUVERT. CELA POURRAIT ENTRAÎNER UNE SURCHAUFFE DU POÊLE. DES DOMMAGES AU POÊLE ET MÊME UN INCENDIE PEUVENT EN RÉSULTER. • LES CENDRES NE DOIVENT PAS ÊTRE AUTORISÉES À ACCUMULER PLUS DE DEUX À TROIS POUCES DANS LA BOÎTE À FEU.

Chaque fois que les cendres atteignent 3 à 4 pouces de profondeur dans votre foyer ou cendrier, et lorsque le feu a brûlé et refroidi, retirez les cendres en excès. Laissez un lit de cendres d'environ 1 pouce de profondeur sur le fond de la chambre de combustion pour aider à maintenir un lit de charbon de bois chaud. Les cendres doivent être placées dans un récipient en

AVERTISSEMENT:
NE PAS SURCHARGER L'APPAREIL. VOUS SURFIRMEZ SI UNE PIÈCE DE L'APPAREIL EST ROUGE. FERMER LA PORTE ET FERMER IMMÉDIATEMENT LE VOLET POUR RÉDUIRE L'ALIMENTATION EN AIR ET RALENTIR LE FEU.
AVERTISSEMENT:
LES FEUX LENTS POUR UNE UTILISATION PROLONGÉE OU LA BRÛLURE DU BOIS VERT PEUVENT CAUSER UNE ACCUMULATION EXCESSIVE DE CRÉOSOTE. L'ALLUMAGE DE CRÉOSOTE OU LA SURCHAUFFE POURRAIT CAUSER UN INCENDIE DE CHEMINÉE. LES FEUX DE CHEMINÉE BRÛLENT EXTRÊMEMENT CHAUD ET PEUVENT ALLUMER LES MATIÈRES COMBUSTIBLES ENVIRONNANTES. EN CAS D'INCENDIE DE CHEMINÉE, APPELEZ IMMÉDIATEMENT LE SERVICE DES INCENDIES!

FORMATION DE CRÉOSOTE ET BESOIN D'ENLÈVEMENT

Lorsque le bois brûle lentement, il produit du goudron et d'autres vapeurs organiques, qui se combinent avec l'humidité expulsée pour former de la créosote. Les vapeurs de créosote se condensent dans le conduit de cheminée relativement frais d'un feu à combustion lente. Par conséquent, des résidus de créosote s'accumulent sur le revêtement du conduit de fumée. Lorsqu'elle est allumée, cette créosote fait un feu extrêmement élevé. Le raccord de cheminée et la cheminée doivent être inspectés au moins une fois tous les deux mois pendant la saison de chauffage pour déterminer si une accumulation de créosote s'est produite. Si la créosote s'est accumulée (3 mm ou plus), elle doit être retirée pour réduire le risque d'incendie de cheminée. Nous vous recommandons fortement d'installer un thermomètre magnétique sur votre tuyau d'échappement de fumée, à environ 18 po au-dessus du poêle. Ce thermomètre indiquera la température de vos fumées d'échappement de gaz dans le système d'évacuation des fumées. La température idéale pour ces gaz se situe entre 275°F et 500°F. En dessous de ces températures, l'accumulation de créosote est favorisée. Au-dessus de 500°F, la chaleur est perdue car une trop grande quantité est perdue dans l'atmosphère.

POUR ÉVITER LA CONSTRUCTION DE CRÉOSOTE

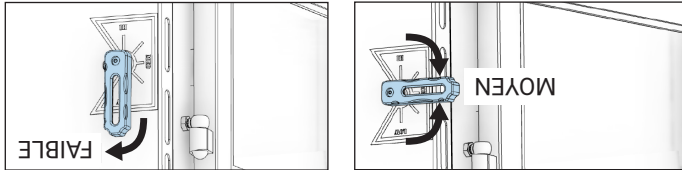
- Brûlez toujours du bois sec. Cela permet des brûlures propres et des températures de cheminée plus élevées, donc moins de dépôt de créosote.
- Laissez le contrôle d'air complètement ouvert pendant environ 5 min, chaque fois que vous rechargez le poêle pour le ramener à des températures de fonctionnement appropriées. La combustion secondaire ne peut avoir lieu que si le foyer est suffisamment chaud.

CONDUITS D'AIR

Les conduits d'air assemblés dans cette unité sont conçus pour offrir un mélange précis d'air secondaire et assurer une plus grande efficacité. Tout dommage ou détérioration de ces conduits peut réduire l'efficacité de la combustion. Les conduits d'air sont maintenus en position par des vis ou par des goupilles de blocage. Localisez et enlevez-les des deux côtés du conduit pour le retirer et le remettre en place.

FONCTIONNEMENT DE LA SOUFFLERIE

AVERTISSEMENT: RISQUE D'INCENDIE.
NE PAS RACORDER LE CORDON D'ALIMENTATION DU SOUFFLEUR À PROXIMITÉ OU À TRAVERS DES SURFACES CHAUDES!



MISES EN GARDE:

- **NE SURCHAUFFEZ PAS CET APPAREIL. UNE SURCHAUFFEE SE PRODUIT SI LA PORTE D'ALIMENTATION EST LAISSÉE OUVERTE PENDANT LE FONCTIONNEMENT. SI UNE PIÈCE DE L'APPAREIL BRILLENT, VOUS SURCHARGEZ. RÉGLEZ LES COMMANDES D'AIR À UN RÉGLAGE INFÉRIEUR POUR RALENTIR LE FEU.**
- **N'ÉLEVEZ PAS LE FEU! CONSTRUISEZ LE FEU DIRECTEMENT SUR LA BRIQUE. CET APPAREIL N'A PAS ÉTÉ TESTÉ AVEC L'UTILISATION D'AUCUN MOYEN POUR ÉLEVER LE FEU ET IL NE DOIT PAS ÊTRE TENTÉ.**
- **NE JAMAIS METTRE DE BOIS AU-DESSUS DE LA GARNITURE FIREBRICK DE LA FIREBOX.**

FUMÉE VISIBLE

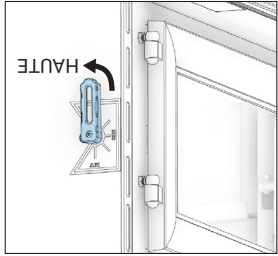
La quantité de fumée visible produite peut être une méthode efficace pour déterminer l'efficacité du processus de combustion aux paramètres donnés. La fumée visible est constituée de combustible non brûlé et d'humidité sortant de votre poêle. Apprenez à régler les paramètres d'air de votre unité spécifique pour produire la plus petite quantité de fumée visible. Le bois qui n'a pas été correctement séché et qui a une teneur élevée en humidité produira un excès de fumée visible et brûlera mal.

Le ventilateur à vitesse variable fait circuler l'air réchauffé par la chambre de combustion dans le salon pour répartir la chaleur plus uniformément. Le bouton de commande du ventilateur est situé sur le côté du boîtier du ventilateur. Tournez le bouton dans le sens des aiguilles d'une montre pour mettre le ventilateur en marche. La vitesse est contrôlée en tournant le bouton dans le sens des aiguilles d'une montre pour des vitesses plus lentes et dans le sens inverse des aiguilles d'une montre pour des vitesses plus rapides. Pour arrêter le ventilateur, tournez le bouton de commande de vitesse à fond dans le sens antihoraire. Il est recommandé d'éteindre le ventilateur lorsque l'unité n'est pas en fonctionnement. Le ventilateur doit être retiré au début de chaque saison de «brûlure» et nettoyé par soufflage à l'air, en éliminant toute poussière ou accumulation.

bois d'allumage dans un emplacement aléatoire pour assurer la circulation d'air à travers le bois d'allumage. Sur le bois d'allumage, placez environ 3 à 4 lb de petits morceaux de bois de corde. REMARQUE: Utilisez des morceaux de bois plus petits pendant le démarrage et un taux de combustion élevé pour augmenter la température du poêle.



Tournez complètement le contrôle d'air vers le bas. Allumez le journal et fermez la porte. Une fois que le bois d'allumage a brûlé jusqu'à un lit de charbon de démarrage, chargez l'unité d'environ 12 à 13 lb de carburant pour la première charge de combustion élevée.



Après la première charge de combustion élevée et le poêle est bien réchauffé, ajustez l'unité au besoin pour un réglage de combustion moyen ou faible.

Pour une combustion moyenne, une fois que la charge de combustible à combustion élevée est brûlée jusqu'à un lit de charbon établi, chargez l'unité avec 14 à 15 lb de bois de corde et fermez immédiatement la porte. Laissez la commande d'air complètement ouverte (en position «HI») pendant 15 minutes. Après 15 minutes, tournez la commande pneumatique en position moyenne (à mi-chemin entre les positions «Low» et «Hi»).

Pour un réglage de combustion faible une fois que la charge de combustible à combustion élevée (ou moyenne) est brûlée jusqu'à un lit de charbon établi, chargez l'unité avec 14 à 15 lb de bois de corde et fermez immédiatement la porte. Laissez la commande d'air complètement ouverte (en position «HI») pendant 15 minutes. Après 15 minutes, commencez à faire tourner la commande pneumatique en position «Bas» (la commande pneumatique est entièrement tournée vers le haut). REMARQUE: ne fermez pas l'air trop rapidement.

ATTENTION:

LA PEINTURE DE VOTRE APPAREIL EST DURABLE MAIS NE RESTERA PAS À LA MANIPULATION BRUTANTE OU À LABUS. LA PEINTURE UTILISÉE PEUT DÉGAGER DE LA FUMÉE ET / OU UNE ODEUR AU COURS DES PREMIERS FEUX. CELA SE PRODUIT JUSQU'À CE QUE LA PEINTURE SOIT DURCIE. LES ANIMAUX / LES PERSONNES AVEC DES PROBLÈMES PULMONAIRES NE DOIVENT PAS ÊTRE PRÉSENTS PENDANT LE PROCESSUS DE GUÉRISON. FAITES D'ABORD DE PETITS FEUX POUR AIDER CE PROCESSUS ET OUVRIR LES FENÊTRES ET LES PORTES SI NÉCESSAIRE POUR ÉLIMINER LA FUMÉE ET L'ODEUR. SI L'APPAREIL EST SURCHAUFFÉ, LA PEINTURE SE DÉCOLORE. LORS DE L'INSTALLATION DE VOTRE APPAREIL, PRENEZ SOIN DE LA MANIPULATION. NETTOYER AVEC DU SAVON ET DE L'EAU LORSQUE L'APPAREIL N'EST PAS UTILISÉ. N'UTILISEZ AUCUN ACIDE, NETTOYANT ABRASIF OU SAVON À RATER CAR CES SOLVANTS PORTENT ET DONNENT LE FINI.

Le séchage correct de la peinture à haute température exige une série de trois feux initiaux. L'appareil devrait être refroidi entre chaque feu. Les deux premiers feux devraient être des petits feux à température basse (250°F) pour une durée de 20 minutes chacun. Le troisième feu devrait être à une température moyenne (500°F à 700°F) pendant 20 minutes. Aérez de façon suffisante pour éliminer la fumée ou les odeurs causées par ces feux.

Remarque: utilisez uniquement du bois de chauffage solide! Ne brûlez pas les ordures ou les liquides inflammables. N'utilisez pas de charbon. Cet appareil n'est pas conçu pour accueillir le débit d'air (tirage) requis pour brûler correctement le charbon ou les produits du charbon. Ne pas élever le feu à l'aide de grilles ou de fers. Construisez le feu directement sur la brique réfractaire.

INSTRUCTIONS DE RAVITALEMENT

Ce poêle à bois a été certifié par l'US EPA pour répondre aux strictes directives 2020. Pour garantir que cet appareil produit les émissions minimales optimales, il est essentiel que seul du bois de cordon bien séché soit brûlé (voir la section «Recommandations de carburant» de ce manuel). La combustion de bois humide non séché ne fait que nuire à l'efficacité de vos poêles et entraîne une accumulation accélérée de crésote dans votre cheminée. Soyez respectueux de l'environnement et ne brûlez que du bois sec.

AVERTISSEMENT: RISQUE D'INCENDIE.

GARDER LA PORTE D'ALIMENTATION BIEN FERMÉE EN TOUT TEMPS SAUF LORSQUE VOUS ENTRENEZ LE FEU. NE PAS FAIRE FONCTIONNER L'APPAREIL AVEC DU VERRRE CASSÉ, CELA ENTRAÎNERA UNE SITUATION DE SURFLAMME.

Pour un démarrage à froid, placez 3 à 4 morceaux de papier journal dans le foyer. Sur le papier journal, déposez 2 livres de

5. Des déchets de produits du pétrole, des peintures ou diluants à peinture, ou des produits d'asphalte;

6. Matériaux contenant de l'amiante;

7. Débris de construction ou de démolition;

8. Traverses de voie ferrée ou bois traité sous pression;

9. Fumier ou restes d'animaux;

10. Bois de grève en eau salée ou autres matériaux précédemment saturés par de l'eau salée;

11. Bois non séché; ou

12. Produits du papier, carton, contreplaqué, ou panneau de particules. L'interdiction de brûlage de ces matériaux n'interdit pas l'utilisation d'allume-feu composés de papier, carton, sciure de bois, cire et substances similaires, aux fins de démarquer le feu dans un chauffage au bois modifié.

La combustion de ces matériaux peut entraîner la libération de fumées toxiques ou rendre le radiateur inefficace et provoquer de la fumée. Le bois mort posé sur le sol forestier doit être considéré comme humide et nécessite un temps de séchage complet. Le bois mort sur pied peut généralement être considéré comme environ 2/3 assaisonné. Les petits morceaux de bois séchent plus rapidement. Toutes les bûches de plus de 6 po de diamètre doivent être fendues. Le bois ne doit pas être stocké directement sur le sol. L'air devrait circuler dans les bûches. Un espace d'air de 24 po à 48 po doit être laissé entre chaque rangée de bûches, qui doivent être placées à l'endroit le plus ensoleillé possible. La couche supérieure de bois doit être protégée de l'élément mais pas des côtés. Un bon indicateur pour savoir si le bois est prêt à brûler est de vérifier les extrémités des pièces. Si des fissures rayonnent dans toutes les directions à partir du centre, le bois doit être suffisamment sec pour brûler. Si votre bois grésille dans le feu, même si la surface est sèche, il se peut qu'il ne soit pas complètement durci et devrait être séché plus longtemps. Il est extrêmement important d'utiliser du BOIS SEC uniquement dans votre poêle à bois. Le bois doit avoir séché pendant 9 à 15 mois, de sorte que la teneur en humidité (en poids) soit réduite en dessous de 20% du poids de la bûche. Il est très important de garder à l'esprit que même si le bois a été coupé pendant un, deux ans ou même plus, il n'est pas nécessairement sec s'il a été stocké dans de mauvaises conditions. Dans des conditions extrêmes, il peut pourrir au lieu de sécher. Ce point ne peut pas être surestimé; la grande majorité des problèmes liés au fonctionnement d'un poêle à bois est due au fait que le bois utilisé était trop humide ou avait séché dans de mauvaises conditions. Ces problèmes peuvent être:

• problèmes d'allumage

• accumulation de créosote provoquant des feux de cheminée

• faible rendement énergétique

• fenêtres noircies

• combustion de bûches incomplète

Ne brûlez pas de bûches fabriquées à partir de sciure de bois imprégnée de cire ou de bûches contenant des additifs chimiques.

TESTER VOTRE BOIS

- Lorsque le poêle est bien réchauffé, placez un morceau de bois fendu (environ cinq pouces de diamètre) parallèle à la porte sur le lit de braises rouges.

- Gardez la commande d'air complètement ouverte et fermez la porte. Si le bois s'enflamme dans les 90 secondes suivant le moment où il a été placé dans le poêle, votre bois est correctement séché. Si l'allumage prend plus de temps, votre bois est humide.

- Si votre bois siffle et que de l'eau ou de la vapeur s'échappe aux extrémités de la pièce, votre bois est trempé ou fraîchement coupé (vert). N'utilisez pas ce bois dans votre poêle. De grandes quantités de créosote pourraient se déposer dans votre cheminée, créant des conditions potentielles pour un feu de cheminée.

ALTERER AVERTISSEMENT

Ce chauffage au bois a un taux de combustion minimum réglé à la fabrication, et qui ne peut être modifié. La modification de ce réglage ou une utilisation autre de ce chauffage au bois qui ne respecterait pas les directives du présent manuel contrevient aux réglementations fédérales.

EFFICACITÉ

Les rendements peuvent être basés sur la valeur calorifique inférieure (LHV) ou la valeur calorifique supérieure (HHV) du combustible. La valeur calorifique inférieure est lorsque l'eau quitte le processus de combustion sous forme de vapeur. Le pouvoir calorifique supérieur est lorsque l'eau quitte le processus de combustion complètement condensée. Dans le cas des poêles à bois, cela supposerait que les gaz d'échappement sont à température ambiante à la sortie du système, et donc les calculs utilisant cette valeur de chauffage considèrent la chaleur qui monte dans la cheminée comme une énergie perdue. Par conséquent, l'efficacité calculée en utilisant le pouvoir calorifique inférieur du bois sera supérieure à l'efficacité calculée en utilisant le pouvoir calorifique supérieur. La meilleure façon d'atteindre des rendements optimaux est d'apprendre les caractéristiques de combustion de votre appareil et de brûler du bois bien séché. Des taux de combustion plus élevés ne sont pas toujours les meilleurs taux de combustion par chauffage; après avoir établi un bon feu, un taux de combustion inférieur peut être une meilleure option pour un chauffage efficace. Un taux de combustion inférieur ralentit le flux de chaleur utilisable hors de la maison par la cheminée, et il consomme également moins de bois.

LES PREMIERS FEUX POUR SÉCHER LA PEINTURE

À CAUSE DES HAUTES TEMPÉRATURES ATTEINTES LORS DU FONCTIONNEMENT, CET APPAREIL EST REVÊTU D'UNE PEINTURE SPÉCIALE CONÇUE POUR LES HAUTES TEMPÉRATURES. ELLE EXIGE UNE SÉRIE DE FEUX À INTENSITÉ BASSE ET MOYENNE POUR SÉCHER ENTièrement ET AINSI GARANTIR LA DURABILITÉ ET LA VIE DE SERVICE.

NE JAMAIS UTILISER CE PRODUIT SANS SURVEILLANCE

<p>PRÉCAUTIONS DE SÉCURITÉ D'UTILISATION</p> <ul style="list-style-type: none"> • NE JAMAIS SURALLUMER CET APPAREIL EN CHAUDS, CE QUI PEUT EN RÉULTER UN INCENDIE DE MAISON / IMMEUBLE. VOUS SURCHARGEZ L'APPAREIL SI IL COMMENCE À LUMINER OU À DEVIENDRE ROUGE. • NE PAS MODIFIER LA COMMANDE D'AIR DE COMBUSTION DE CET APPAREIL AU-DELÀ DE LA PLAGE DE RÉGLAGE NORMALE. • NE JAMAIS CONSTRUIRE DES FEUX EXCESSIVEMENT GRANDS DANS CE TYPE D'APPAREIL, DES ENDOMMAGER LA BOÎTE À FEU OU UNE FUIE DE FUMÉE POURRAIENT EN RÉULTER. • NE PAS CONSTRUIRE LE FEU TROP PRÈS DE LA VITRE. • CHAUD EN FONCTIONNEMENT. TENIR LES ENFANTS, LES VÊTEMENTS ET LES MEUBLES À L'ÉCART. LE CONTACT PEUT CAUSER DES BRÛLURES DE LA PEAU. NE TOUCHER PAS L'APPAREIL JUSQU'À CE QU'IL SOIT REFROIDI. • FOURNISSEZ DE L'AIR ADÉQUAT POUR LA COMBUSTION À LA PIÈCE O L'APPAREIL EST INSTALLÉ. • INSPECTER LA DOUBLURE DE CHEMINÉE TOUTS LES 60 JOURS. REMPLACER IMMÉDIATEMENT LA DOUBLURE EN CAS DE ROULEMENT OU DE FUIE DE FUMÉE DANS LA PIÈCE. • LES TENTATIVES POUR ATTEINDRE DES TAUX DE SORTIE DE CHALEUR QUI DÉPASSENT LES SPÉCIFICATIONS DE CONCEPTION DU CHAUFFAGE PEUVENT CAUSER DES DOMMAGES PERMANENTS AU CHAUFFAGE. • POUR ÉVITER DES BLESSURES, NE PERMETTEZ À PERSONNE D'UTILISER CET APPAREIL QUI N'EST PAS FAMILIAL AVEC SON FONCTIONNEMENT CORRECT. NE PAS FAIRE FONCTIONNER CET APPAREIL SOUS L'INFLUENCE D'ALCOOL OU DE DROGUES. • SI UN COMPOSANT DE L'APPAREIL EST MANQUANT OU ENDOMMAGÉ, CONTACTEZ IMMÉDIATEMENT VOTRE CONCESSIONNAIRE. NE PAS FAIRE FONCTIONNER CET APPAREIL AVEC DES PIÈCES MANQUANTES OU ENDOMMAGÉES.
<p>MISES EN GARDE: RISQUES D'INCENDIE MAISON</p> <ul style="list-style-type: none"> • NE CONSERVEZ PAS LE BOIS SUR UN PROTECTEUR DE PLANCHER, SOUS LES TUYAUX DE POÊLE OU N'IMPORTE O DANS LES DÉGAGEMENTS DES SURFACES COMBUSTIBLES SPÉCIFIÉES POUR CET APPAREIL. • NE JAMAIS FAIRE FONCTIONNER AVEC DES TUBES SECONDAIRES, DU CARTON DE FIBRE OU DE LISOLANT ENLEVÉ.

<p>ATTENTION:</p> <p>LES ENFANTS DOIVENT ÊTRE ALERTÉS AUX DANGERS LIÉS À DES TEMPÉRATURES DE SURFACE ÉLEVÉES. NE LAISSEZ JAMAIS DE PETITS ENFANTS SANS SUPERVISION LORSQU'ILS SE TROUVENT DANS LA MÊME PIÈCE QUE L'APPAREIL PENDANT LE FONCTIONNEMENT. POUR ÉVITER LES BRÛLURES, PORTER TOUJOURS DES VÊTEMENTS DE PROTECTION, DES GANTS DE PROTECTION EN CUIR ET UNE PROTECTION DES YEUX LORS DU RAVITAILLLEMENT OU DE L'ENTRETIEN AU FEU. SOYEZ TOUJOURS CONSCIENT DES SURFACES CHAUFFÉES. LA CHALEUR RADIANT DE L'APPAREIL PEUT POTENTIELLEMENT DÉCOLORER, FONDRE OU MÊME ALLUMER LES MATÉRIAUX COMBUSTIBLES. GARDEZ TOUTS LES MATÉRIAUX COMBUSTIBLES BIEN ÉLOIGNÉS DU CHAUFFAGE!</p>
<p>AVERTISSEMENT: RISQUE D'EXPLOSION</p> <ul style="list-style-type: none"> • N'UTILISEZ JAMAIS DE PRODUITS CHIMIQUES, D'ESSENCE, DE CARBURANT DE LANTERNE DE TYPE ESSENCE, DE KÉROSÈNE, DE LIQUIDE À BRIQUET AU CHARBON OU DE LIQUIDES INFLAMMABLES SIMILAIRES POUR ALLUMER OU «RAFFRAÎCHIR» UN INCENDIE DANS L'APPAREIL. • GARDER TOUTS LES LIQUIDES INFLAMMABLES, EN PARTICULIER L'ESSENCE, HORS DE LA PROXIMITÉ DE L'APPAREIL - QUE CE SOIT EN UTILISATION OU EN STOCKAGE.

UTILISATION DU POÊLE À BOIS

Votre appareil de chauffage a été conçu pour brûler uniquement du bois naturel bien séché; aucun autre matériau ne doit être brûlé. N'importe quel type de bois naturel bien séché peut être utilisé dans votre poêle, mais certaines variétés ont de meilleurs rendements énergétiques que d'autres. Des rendements plus élevés et des émissions plus faibles résultent généralement de la combustion de bois durs séchés à l'air, par rapport aux résineux ou aux feuillus trop verts ou fraîchement coupés. Les ressources suivantes peuvent aider à apprendre les caractéristiques de combustion de diverses essences de bois: <http://firewoodresources.com/firewood-btu-ratings/>; ou <https://forrestry.usu.edu/forest-products/wood-heating>. Le fonctionnement de ce poêle à bois d'une manière non conforme au manuel du propriétaire annulera votre garantie et est également contraire à la réglementation fédérale. Les déchets et autres matériaux inflammables ne doivent pas être brûlés dans votre poêle. NE BRÛLEZ PAS:

1. Des ordures;
2. Des déchets de tonte ou résidus de jardin;
3. Des matériaux contenant du caoutchouc, incluant les pneus;
4. Matériaux contenant du plastique;

AVIS: Toujours fournir une source d'air frais dans la pièce où se trouve le poêle. Si vous ne le faites pas, vous risquez de manquer d'air dans d'autres appareils à combustion et de développer des conditions dangereuses, un incendie ou la mort.

POINTS IMPORTANTS DE L'INSTALLATION

ATTENTION:
ASSUREZ-VOUS QUE VOTRE CHEMINÉE EST CONSTRUITE EN TOUTE SÉCURITÉ ET EN BONNE RÉPARATION. FAITES INSPECTER LA CHEMINÉE PAR LE SERVICE DES INCENDIES OU UN INSPECTEUR QUALIFIÉ. VOTRE COMPAGNIE D'ASSURANCE DOIT ÊTRE EN MESURE DE RECOMMANDER UN INSPECTEUR QUALIFIÉ.

ATTENTION:
LES INSTALLATIONS AU CANADA EXIGENT QUE CE Foyer DOIT ÊTRE INSTALLÉ AVEC UNE CHEMINÉE CONTINUE DE 6 POUÇES DE DIAMÈTRE S'ÉTENDANT DE L'INSERT DU Foyer AU SOMMET DE LA CHEMINÉE. LE REVÊTEMENT DE CHEMINÉE DOIT ÊTRE CONFORME AUX EXIGENCES DE CLASSE 3 DE CAN/ULC-S635, NORME POUR LES SYSTÈMES DE REVÊTEMENT POUR MAÇONNERIE EXISTANTE, OU CAN/ULC-S640, NORME POUR LES SYSTÈMES DE REVÊTEMENT POUR NOUVELLES CHEMINÉES DE MAÇONNERIE.

ATTENTION:
SCELLER EN PERMANENCE TOUTE OUVERTURE ENTRE LA MAÇONNERIE DU CHEMINÉE ET LA MAÇONNERIE DE FAÇADE.

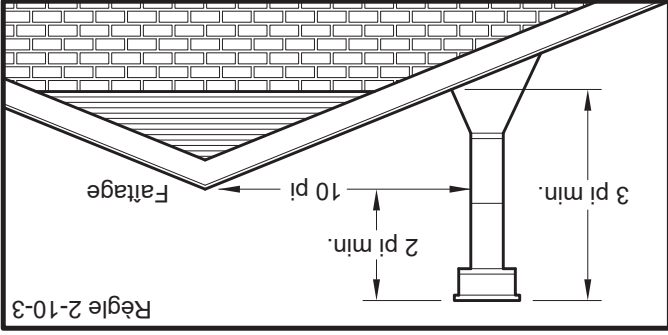
1. Choisissez le conduit/gaine de cheminée en fonction de la taille de la buse de l'appareil. Cet insert exige un conduit de 0,125 m minimum de diamètre.
2. Ne jamais connectez cet appareil à un conduit de cheminée déjà utilisé par un autre appareil.

3. Le conduit de cheminée doit respecter toutes les conditions de hauteur minimale.
4. N'utilisez jamais un conduit de cheminée pour ventiler une cave ou un sous-sol.

Contactez les autorités locales pour définir les méthodes approuvées d'installation et déterminer la nécessité d'obtenir un permis et/ou de réaliser une inspection.

CHEMINÉE DE MAÇONNERIE

Avant d'utiliser une cheminée de maçonnerie existante, nettoyez la cheminée, inspectez le conduit/gaine et réalisez toute réparation nécessaire afin de garantir une utilisation sans danger. Cet appareil exige un conduit/gaine continu en acier inoxydable installé entre la buse et le chapeau de la cheminée. Réalisez les réparations avant la fixation de l'insert. Le tuyau de connexion de l'insert et les accessoires nécessaires pour raccorder directement à la cheminée de maçonnerie sont détaillés dans les instructions d'installation. Si la cheminée doit traverser un mur inflammable avant d'entrer dans le conduit de cheminée principal, consultez un maçon qualifié ou un négociant de cheminée pour déterminer le choix de matériaux appropriés conformément aux normes en vigueur. L'installation doit être conforme aux normes incendie et de construction et à la dernière édition de NFPA 211. S'il y a une ouverture située à la base du foyer prévue pour le nettoyage, il faut la fermer complètement.

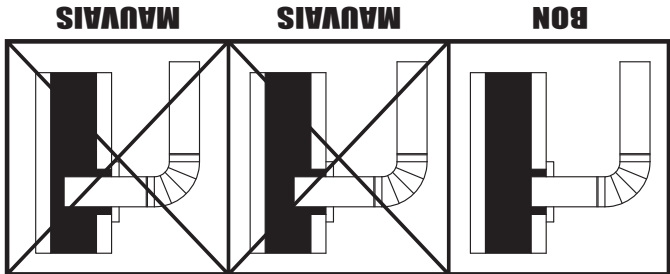


1. Comme un moyen d'épurer la fumée et les gaz de combustion qui sont le résultat de la combustion du carburant.
2. La cheminée fournit un «tirage» qui permet à l'oxygène d'être introduit en continu dans l'appareil, de sorte qu'une combustion correcte est possible. Ce poêle repose sur un tirage naturel pour fonctionner.

Les cheminées remplissent deux fonctions:

Le tirage est une force déplaçant l'air de l'appareil vers la cheminée. La quantité de tirage dans votre cheminée dépend de la longueur de la cheminée, son emplacement géographique local, les obstructions à proximité et d'autres facteurs. Trop de tirage peut causer des températures excessives dans l'appareil et pourrait l'endommager. Un tirage inadéquat peut causer des retours de fumée dans la pièce et causer l'obturation de la cheminée. Un tirage inadéquat causera des fuites de fumée par l'appareil dans la pièce, s'infiltrant par l'appareil, et les joints du conduit de raccordement. Un brulage incontrôlable ou une température excessive indique un tirage excessif.

IMPORTANT D'UN TIRAGE ADEQUAT



1. Le tuyau de connexion est peut être poussé trop profondément à l'intérieur du conduit de cheminée arrêtant ainsi le tirage ;
2. Si l'insert atteint des températures pas assez chaudes durant son fonctionnement, de l'eau se condensera dans le conduit de cheminée et retournera ainsi dans l'insert. La formation de créosote sera rapide et pourrait bloquer le conduit de cheminée. Utilisez cet appareil à un niveau de feu assez haut pour garder le conduit de cheminée chaud et empêcher ainsi cette condensation ;
3. Si le feu brûle bien mais crée quelquefois de la fumée excessive ou des feux à combustion lente, cela pourrait être causé par la position trop basse du sommet de la cheminée comparée à une autre partie de la maison ou un arbre proche. Le vent qui passe au dessus d'une maison ou un arbre retombe sur la cheminée rabattant ainsi la fumée. Le sommet de la cheminée devrait être au moins 0,9 m au-dessus du toit et au moins 0,6 m au-dessus du point le plus haut situé dans un rayon de 1,5 m autour du sommet de la cheminée.

cheminée sont des avertissements que la cheminée ne fonctionne pas convenablement. Corrigez ce problème avant d'utiliser l'appareil. Les possibles causes de mauvais tirage sont énumérées ci-dessous:

OBSERVATION: POUR CET APPAREIL, UNE MESURE DE TIRAGE DE 0,126 [1,26] à 0,151 [1,494] (colonne d'eau en cm, [Pa]) EST EXIGÉE AFIN D'OBTENIR UNE COMBUSTION CORRECTE.

Le tirage est créé par la cheminée, et non PAS PAR L'INSERT. L'échappement de fumée dans la maison ou l'excès d'accumulation de condensation ou de créosote dans la

TIRAGE DE CHEMINÉE

Cet appareil doit être connecté à un conduit/gaine en acier inoxydable, conforme à la norme UL1777, et installé entre la buse et le chapeau conformément aux spécifications énumérées dans les pages précédentes.

7. Nivelez l'appareil en ajustant les vis à l'arrière de l'appareil.

8. Connectez le conduit/gaine de cheminée à l'appareil en utilisant un adaptateur en acier inoxydable installé à l'aide d'un minimum de 3 vis autotaraudeuses. Le conduit/gaine DOIT être attaché avec l'extrémité mâle (ou ondulée) de l'adaptateur à l'intérieur de la buse de l'appareil pour permettre la condensation et/ou le ruissellement de créosote dans l'insert.

la façade du foyer.

6. Positionnez l'appareil dans l'ouverture du foyer jusqu'à ce que laèvre supérieure de la chemise d'air soit alignée avec

5. AVERTISSEMENT: Tout foyer dont les pièces ont été retirées ou modifiées pour permettre l'installation de cet appareil DOIT avoir une plaque d'avertissement installée de façon permanente dans un endroit visible indiquant que le foyer est impropre à l'utilisation avec du combustible solide. Cette unité était livrée avec une étiquette d'avertissement en métal. Fixez de façon permanente la plaque d'avertissement à un endroit visible dans le foyer. Après avoir choisi un emplacement visible dans le foyer, fixez définitivement la plaque d'avertissement en la vissant ou en la clouant. Remarque: Utilisez les trous de l'étiquette pour marquer et pré-percer les trous nécessaires pour fixer l'étiquette.

4. Enlevez l'appareil de sa palette, enlevez tous les emballages et tout article stocké dans l'insert.

avant de faire ceci.

3. Enlevez ou verrouillez le registre de foyer dans la position ouverte. Observation: La plaque de maçonnerie pourrait être enlevée pour accommoder le conduit/gaine de cheminée si ceci n'affaiblit pas tout élément structurel du foyer ou du conduit de cheminée, ni réduit la protection des matériaux inflammables conformément aux normes de construction. Consultez les autorités locales ou les services incendie avant de faire ceci.

gaine fournies par le fabricant.

2. Installez un conduit/gaine de cheminée continu en acier inoxydable de diamètre minimal de 152 mm. La gaine doit s'étendre jusqu'au sommet de la cheminée. Utilisez uniquement des conduits/gaines qui répondent aux normes de sécurité. Suivez les instructions d'installation du conduit/

1. Nettoyez l'ouverture du foyer et enlevez les cendres dans un récipient métallique fermé.

3. Les chapeaux de cheminée. Les chapeaux de conduit avec grillage et pare-étincelles doivent être déplacés pour permettre l'inspection fréquente et le nettoyage régulier. Sinon ils devraient être enlevés pour éviter le bouchage. Consultez les autorités locales et les normes de construction.

4. Le gaine de cheminée. La cheminée doit être appropriée pour la combustion solide. Installez une gaine continue en acier inoxydable entre la buse de l'appareil et le sommet de la cheminée. La gaine doit être conforme à la norme UL 1777. Dégagements des matériaux inflammables. Le foyer et le conduit de cheminée doivent être inspectés pour garantir un dégagement suffisant avec des matériaux inflammables. Ceci inclut le dessus, les côtés, la façade et l'arrière de même que tout matériau inflammable situé aux alentours du conduit de cheminée et du linteau. Votre inspecteur local ou les services incendie devraient pouvoir indiquer si une vieille cheminée respecte les normes actuelles et est ainsi appropriée pour cette utilisation. Voir aussi schéma 1 et 2.

6. Conditions d'air. Cet appareil exige un approvisionnement suffisant d'air pour fonctionner efficacement et de façon sûre. Ce paramètre peut constituer une norme de construction. Un approvisionnement insuffisant d'air causera une mauvaise combustion, un fonctionnement inefficace, l'accumulation de crésote, un refoulement d'air et de fumée dans les pièces à vivre. Si n'importe laquelle des conditions suivantes est incontestablement présente, une alimentation d'air doit être installée:

- a. L'appareil actuel de chauffage crée un refoulement de fumée, des odeurs excessives dans les pièces à vivre ou fonctionne inefficacement ;
- b. Ouvrir une fenêtre ou une porte réduit les problèmes ou symptômes décrits ci-dessus ;
- c. Le bâtiment est construit avec une barrière de vapeur étanche, une installation hermétique des fenêtres ou est équipé d'un extracteur motorisé ;
- d. Condensation excessive sur les fenêtres durant l'hiver
- e. Le bâtiment est installé avec un système de ventilation ;
- f. Si, une fois installé, l'appareil de combustion solide ne tire pas de façon constante, présente une combustion faible ou inefficace, un refoulement d'air ou des fumées de retour lors de la recharge en combustible.

LES CONDITIONS DE TIRAGE

AVERTISSEMENT:

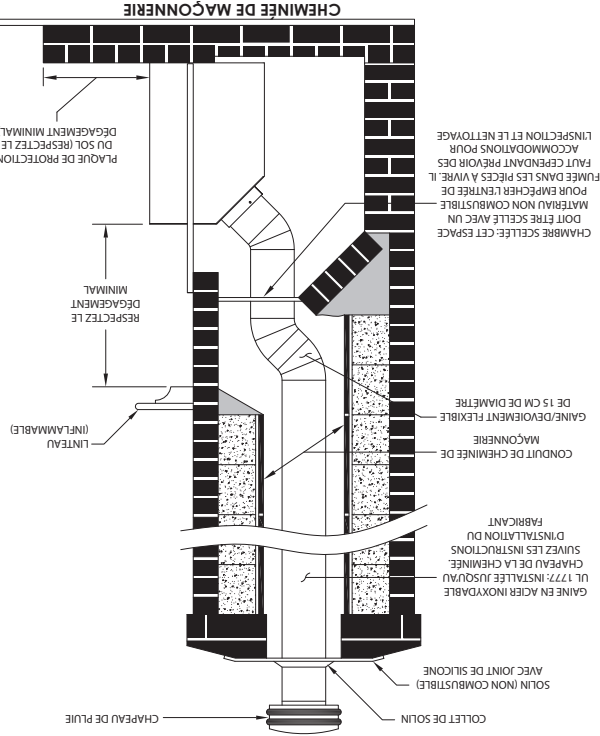
RISQUE D'INCENDIE - UN TIRAGE EXCESSIF PEUT CAUSER LA SURCHAUFFE ET UN INCENDIE. N'UTILISEZ PAS CET APPAREIL AVEC UN TIRAGE DE CONDUIT DE CHEMINÉE DÉPASSANT 0,15 CM DE COLONNE D'EAU (0,1 PA).

Le conduit de cheminée est un élément critique pour un fonctionnement correct et efficace de n'importe quel appareil de chauffage. Les appareils de chauffage ne créent pas le tirage, il

est fourni par le conduit de cheminée. Cet appareil exige un tirage de 0,125 cm de colonne d'eau (0,1 Pa) au niveau de la buse. Pour obtenir un bon tirage, votre conduit de cheminée doit respecter trois conditions ; une hauteur minimale de 4,5 m, mesurée entre le dessus du foyer et le sommet de la cheminée, une hauteur minimale de 0,9 m au-dessus du point de pénétration du conduit dans le toit, et une hauteur minimale de 0,6 m au-dessus du point le plus haut situé dans un rayon de 1,5 m autour du sommet de la cheminée. La cheminée doit également présenter un profil transversal minimum et maximum. Pour cette raison, un conduit/gaine de cheminée continu en acier inoxydable, installé entre la buse de l'appareil et le sommet de la cheminée, est exigé. Un adaptateur en acier inoxydable est recommandé pour attacher la gaine/conduit d'acier inoxydable à la buse. La partie mâle (ou ondulée) de l'adaptateur doit être installée à l'intérieur de la buse pour permettre à la condensation ou la crésote présente dans la gaine/conduit de retourner dans l'insert. La gaine/conduit de cheminée et/ou les adaptateurs doivent être attachés de façon permanente en utilisant au moins trois vis à chaque connexion. Il est difficile d'atteindre et conserver les températures de fonctionnement optimal pour les conduits de cheminée installés à l'extérieur de la maison ou sur un mur extérieur. Cela pourrait causer l'accumulation de crésote, moins de tirage, le refoulement d'air et des problèmes de performance de l'appareil. Ce type d'installation devrait donc être évité.

AVERTISSEMENT:

RISQUE D'INCENDIE - NE LAISSEZ PAS DE MATÉRIAUX INFLAMMABLES (TAPIS, MEUBLES, CARBURANTS) SUR LA PLAQUE DE PROTECTION DU SOL. TOUS LES MATÉRIAUX INFLAMMABLES DOIVENT ÊTRE POSITIONNÉS EN DEHORS DU PÉRIMÈTRE DE DÉGAGEMENT MINIMAL.

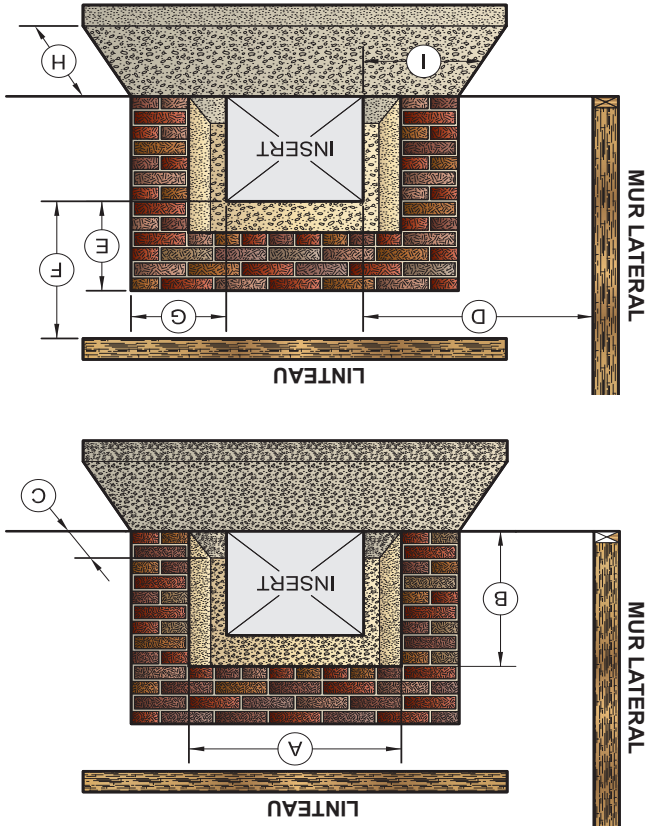


AIR DE COMBUSTION EXTERIEUR

ATTENTION:
BRANCHEZ TOUJOURS CET APPAREIL À UNE CHEMINÉE ÉVENTÉE À L'EXTÉRIEUR. NE JAMAIS VENTILER DANS UNE AUTRE PIÈCE, UN ESPACE DE CHEMILLES, UN GRENIER OU À L'INTÉRIEUR D'UN BÂTIMENT. NE PAS RACCORDER CET APPAREIL À UN FUMÉ DE CHEMINÉE SERVANT UN AUTRE APPAREIL.

AVERTISSEMENT: RISQUE D'INCENDIE
RESPECTER LES DÉGAGEMENTS MINIMAUX AUX COMBUSTIBLES INDICÉS DANS CE MANUEL ET SUR LES ÉTIQUETTES FIXÉES À L'APPAREIL. NE PAS STOCKER DE BOIS, TOUT TYPE DE VAPEURS OU DE LIQUIDES INFLAMMABLES, PLACER MEUBLES, TAPIS, TAPIS, VÊTEMENTS OU AUTRES OBJETS COMBUSTIBLES DANS LA ZONE DE DÉGAGEMENT.

DÉGAGEMENTS AUX COMBUSTIBLES



Dimensions d'ouverture du foyer			
	mm		
A	737	Hauteur Minimum	
B	585	Largeur Minimum	
C	356	Profondeur Minimum	
Dégagements des matériaux inflammables			
D	229	Min. Distance à la paroi latérale	
E	356	Min. Distance à la partie supérieure	
F	483	Min. Distance jusqu'au manteau	
G	229	Min. Distance à la garniture latérale	
H	432	Min. Protecteur de plancher avant	
I		Min. Côté protecteur de plancher	
		CAN	8
		USA	6
			153
			204

Votre appareil lui-même ne crée pas de courant d'air. Le tirage est assuré par la cheminée.

Pour obtenir un tirage adéquat, votre cheminée doit répondre aux trois exigences de hauteur minimale détaillées dans la figure 8. Un tirage minimum de 0,05 w.c. (mesuré dans la colonne d'eau) est nécessaire pour un tirage correct afin d'éviter les soufflages de dos, les déversements de fumée et pour maximiser les performances. Des jauges pour mesurer le tirage sont facilement disponibles dans les magasins de poêles et sont économiquement à louer ou à acheter. Des facteurs tels que le vent, la pression barométrique, les arbres, le terrain et la température de la cheminée peuvent avoir un effet négatif sur le tirage. Le fabricant ne peut être tenu responsable des facteurs externes conduisant à une rédaction moins qu'optimale. Si vous avez un problème avec un tirage insuffisant, vous devez contacter un entrepreneur en chauffage et en refroidissement agréé pour obtenir de l'aide pour résoudre le problème.

LA CONDITION DE LA CHEMINÉE ET LES CONDITIONS DE DÉGAGEMENT NUL


Une cheminée de maçonnerie doit respecter des normes minimales, la norme NFPA 211, ou l'équivalent pour une installation sûre. Contactez un professionnel, un installateur accrédité, l'inspecteur des autorités locales ou les pompiers pour plus d'informations sur les conditions d'installation. Votre compagnie d'assurances devrait pouvoir recommander un inspecteur qualifié. Les inspections doivent couvrir les vérifications suivantes:

1. La condition de la cheminée et du conduit de cheminée. La cheminée de maçonnerie et le conduit de cheminée doivent être inspectés avant l'installation de cet appareil. Ils ne doivent pas présenter de fissures, de mortier de mauvaise qualité, de dépôts de créosote, d'obstruction ou tout autre preuve de détérioration. N'importe lequel de ces problèmes devra être réparé avant l'installation. N'ENLEVEZ PAS LES BRIQUES ou LE MORTIER de la cheminée existante lors de l'installation de cet appareil.
2. Taille du conduit de cheminée. Le diamètre minimum du conduit de cheminée est 152 mm. Maintenez une hauteur minimum de cheminée (mesurée du dessus de l'appareil au sommet de la cheminée) de 4,5 m. Les conduits doivent dépasser le toit par au moins 0,9 m et au moins 0,6 m au-dessus du point le plus haut situé dans un rayon de 1,5 m autour du sommet de la cheminée. Voir section des Connexions du conduit de cheminée de ce manuel.

ATTENTION:

NE PAS RACCORDER UN APPAREIL DE BRÛLAGE AU BOIS À UN ÉVENT À GAZ EN ALUMINIUM DE TYPE B. CE N'EST PAS SÛR. UTILISER DE LA MAÇONNERIE APPROUVÉE OU UNE CHEMINÉE D'APPAREIL DE CHAUFFAGE DE BÂTIMENT HOMOLOGUÉE UL 103 HT (É.-U.). UTILISER UNE CHEMINÉE DE 6" DE DIAMÈTRE, ASSEZ ÉLEVÉE POUR CRÉER UN TIRAGE SUFFISANT.


NATIONAL FIREPLACE INSTITUTE



CERTIFIED

www.nficertified.org

We recommend that our woodburning hearth products be installed and serviced by professionals who are certified in the U.S. by the National Fireplace Institute® (NFI) as NFI Woodburning Specialists or who are certified in Canada by Wood Energy Technical Training (WETT).

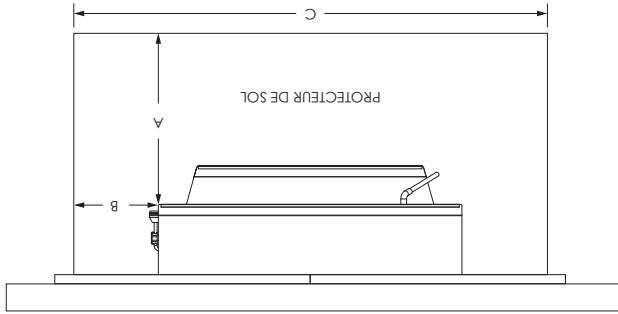


Wood Energy Technical Training
www.wettinc.ca

Votre appareil de chauffage doit être installé par un technicien qualifié NFI (États-Unis) ou WETT (Canada). Pour trouver l'installateur qualifié le plus proche, rendez-vous sur : <https://www.nficertified.org> or <https://www.wettinc.ca>

PLAQUE DE PROTECTION DU SOL

Un plancher solide incombustible, en béton ou en maçonnerie pleine, doit s'étendre de 6" (153 mm) de chaque côté du corps de l'appareil et de 17" (432 mm) devant la face de l'appareil. Lorsque le revêtement de sol combustible se situe dans ces dimensions minimales, il doit être recouvert d'un protecteur de sol homologué, avec une valeur R d'au moins 1,4. Vérifiez les codes du bâtiment locaux si vous souhaitez finir le revêtement de sol avec des carreaux de sol en céramique coulés.



Clé	po	mm
A	17	432
B	*6	*153
C	38 USA	966
	42 CAN	1067
* = Les installations canadiennes nécessitent 8 po (204 mm)		

AVIS DE SÉCURITÉ:

- SI CE POÈLE N'EST PAS INSTALLÉ CORRECTEMENT, UN INCENDIE PEUT EN RÉSULTER. POUR RÉDUIRE LES RISQUES D'INCENDIE, SUIVEZ LES INSTRUCTIONS D'INSTALLATION.
- CONSULTEZ VOTRE DÉPARTEMENT MUNICIPAL SUIVANT LES PERMIS, RESTRICTIONS ET EXIGENCES D'INSTALLATION DANS VOTRE RÉGION.
- UTILISEZ DES DÉTECTEURS DE FUMÉE DANS LA PIÈCE O VOTRE POÈLE EST INSTALLÉ.
- GARDEZ LES MEUBLES ET LES DRAPS BIEN ÉLOIGNÉS DU POÈLE.
- NE JAMAIS UTILISER D'ESSENCE, DE CARBURANT DE LANTERNE DE TYPE ESSENCE, DE KÉROSÈNE, DE LIQUIDE POUR BRIQUET AU CHARBON OU DE LIQUIDES SIMILAIRES POUR ALLUMER OU «RAFFRAÎCHIR» UN FEU DANS CE CHAUFFAGE. GARDER TOUS CES LIQUIDES BIEN ÉLOIGNÉ DU CHAUFFAGE PENDANT SON UTILISATION.
- EN CAS D'INCENDIE DE CHEMINÉE, METTEZ LES CONTRÔLES D'AIR EN POSITION FERMÉE, QUITTEZ LE BÂTIMENT ET APPELEZ IMMÉDIATEMENT LE SERVICE DES INCENDIES!
- NE BRANCHEZ AUCUN CONDUIT OU SYSTÈME DE DISTRIBUTION D'AIR.
- UNE SOURCE D'AIR FRAIS DANS LA PIÈCE OU L'ESPACE CHAUFFÉ SERA FOURNIE EN CAS DE BESOIN.
- N'INSTALLÉZ PAS CET APPAREIL DANS UNE MAISON MOBILE, UNE MAISON MANUFACTURÉE, UNE REMORQUE OU UNE TENTE (AUCUNE EXCEPTION PAR HUD NORME FÉDÉRALE: 24 CFR CH.XX).
- CE CHAUFFAGE NE DOIT PAS ÊTRE INSTALLÉ DANS UN Foyer CONSTRUIT EN USINE

ATTENTION:

- VÉRIFIEZ QUE L'APPAREIL EST CORRECTEMENT INSTALLÉ AVANT DE TIRER POUR LA PREMIÈRE FOIS. CET APPAREIL DOIT ÊTRE INSTALLÉ PAR UN INSTALLATEUR QUALIFIÉ POUR ASSURER UNE INSTALLATION CORRECTE ET SÛRE. N'UTILISEZ JAMAIS DE COMPROMIS TEMPORAIRES OU DE CHANGEMENT PENDANT L'INSTALLATION.
- FOURNISSEZ DE L'AIR DE COMBUSTION ADÉQUAT À LA PIÈCE O L'APPAREIL EST INSTALLÉ. LA RESTRICTION DE L'AIR DE COMBUSTION ENTRAÎNERA UN FEU PARÂITRE QUI CAUSE UNE ACCUMULATION DE SUIE OU DE CRÉOSOTE ET RÉDUIT GRANDIÈMENT L'EFFICACITÉ.

POUR L'ASSISTANCE TECHNIQUE, APPELEZ: 800-750-2723 EXT 5050

INSTALLATION DE BRIQUES RÉFRACTAIRES

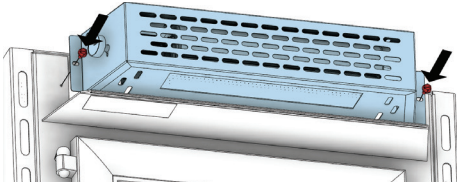
ATTENTION: RISQUE D'INCENDIE !

- REMPLACER LES BRIQUES À FEU AVANT DE TIRER LE POÊLE À BOIS. POSITIONNEZ LES BRIQUES DE FEU POUR AUCUN ESPACE NE RESTE ENTRE LES BRIQUES.
- NE JAMAIS FAIRE FONCTIONNER CET APPAREIL AVEC UNE BRIQUE MANQUÉ OU FISSURÉE.
- GARDER LES MEUBLES ET AUTRES MATÉRIAUX COMBUSTIBLES LOIN DU POÊLE ET À L'EXTÉRIEUR DES DÉGAGEMENTS MINIMUM.

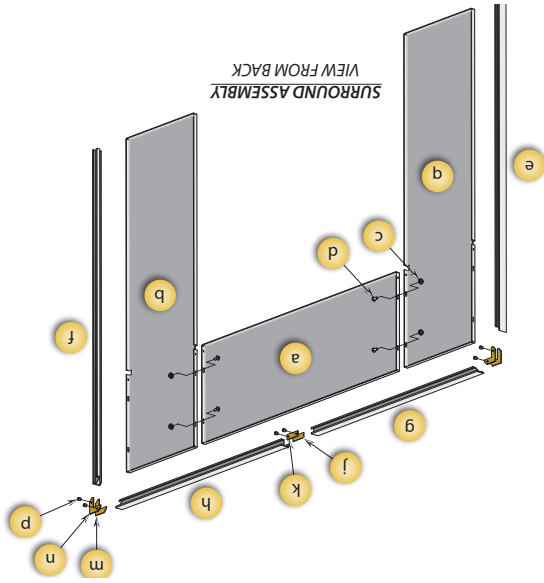
INSTALLATION DU VENTILATEUR

Retirez l'assemblage de la soufflante et vérifiez qu'il n'est pas endommagé. Informez votre revendeur en cas de dommages.

Montez solidement le ventilateur sur le radiateur avec les deux (2) vis et rondelles fournies.



ASSEMBLEZ L'HABILLAGE



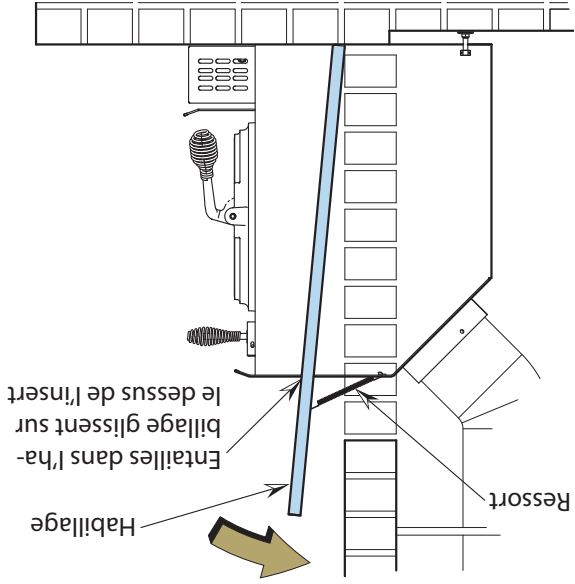
1. Posez les panneaux avec le côté face vers le bas sur un tapis ou toute autre surface douce afin de protéger la finition des pièces lors de leur assemblage. L'habillage consiste de deux panneaux latéraux, un panneau supérieur et de bandes décoratives.

2. Boulez le panneau supérieur (a) aux panneaux latéraux (b et d) de sorte que les surfaces supérieures affleurent l'une à l'autre à l'aide des éléments c et d.

3. Assemblez le cadre de garniture. La garniture se compose d'une pièce latérale gauche (f) et droite (e) et d'une pièce supérieure fendue (gauche h, droite g). Ceux-ci sont reliés par des connecteurs d'angle (m, n, & p) et deux connecteurs centraux droits (j & k). Ceux-ci glissent dans le canal à l'arrière du cadre et sont fixés avec deux vis de réglage (p) dans chaque pièce.

4. Les bandes décoratives glissent sur l'habillage et sont fixées à la base de chaque côté avec une vis à métal.

5. L'habillage, une fois assemblé, est alors glissé par dessus l'appareil. Des entailles dans les deux panneaux latéraux accommodent des encoches situées en haut de l'appareil.



6. L'habillage est tenu en place grâce à deux ressorts situés en haut à chaque coin de l'appareil (figure 6).

7. Connectez le cordon d'alimentation de la soufflante à la prise.

8. Les briques réfractaires rallongent la vie de votre insert et rayonne la chaleur de façon plus égale. Si des briques réfractaires ont été enlevées pour positionner l'appareil, il faut les replacer avant d'allumer l'appareil. Voir figure 7 pour la bonne orientation et le positionnement correct. Installez en premier la rangée de briques située à l'arrière suivie par celle de chaque côté et enfin les briques réfractaires situées entre chaque côté.

Votre poêle à bois ne doit être installé que par un installateur qualifié. Un installateur qualifié NFI peut être trouvé à www.nficertified.org/public/find-an-nfi-pro/

ASSISTANCE TECHNIQUE

1-800-750-2723 poste 5050

Texte au 423-301-5624

Envoyez un e-mail à: customerservice@usstove.com

LISTE DE CONTRÔLE DE MISE EN SERVICE

Cette liste de contrôle doit être remplie intégralement par la personne qualifiée qui installe cet appareil. Conservez cette page pour référence future.

Le fait de ne pas installer et mettre en service selon les instructions du fabricant et de remplir cette liste de contrôle annulera la garantie.

S'il te plaît imprime

Nom du client:		Numéro de Téléphone	
Adresse:			
Modèle:			
Numéro de série:			
Nom de la société d'installation:		Numéro de Téléphone:	
Nom du technicien d'installation:		Numéro de Licence:	

DESCRIPTION DU TRAVAIL

Emplacement de l'appareil installé: _____

Système de cheminée: nouveau système de cheminée Oui Non si oui, marque _____

Si non, date d'inspection du système de cheminée existant: _____

MISE EN SERVICE

Confirmer l'installation du tapis de foyer conformément aux instructions d'installation

Confirmer le bon placement des pièces internes

Vérifier la solidité du joint de porte et de l'étanchéité de la porte

Confirmer les dégagements aux combustibles selon les instructions d'installation de ce manuel

Vérifier le fonctionnement des commandes pneumatiques

Confirmer que tous les tuyaux de fumée et le système de cheminée sont sécurisés et scellés

Confirmez que le poêle tire correctement lorsqu'il est allumé

Assurez-vous qu'un avertisseur de CO est installé conformément aux codes du bâtiment locaux et qu'il est fonctionnel

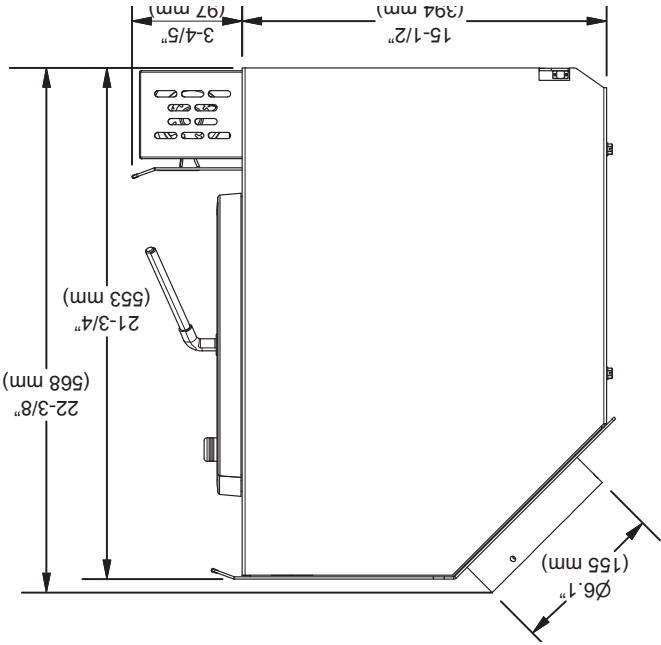
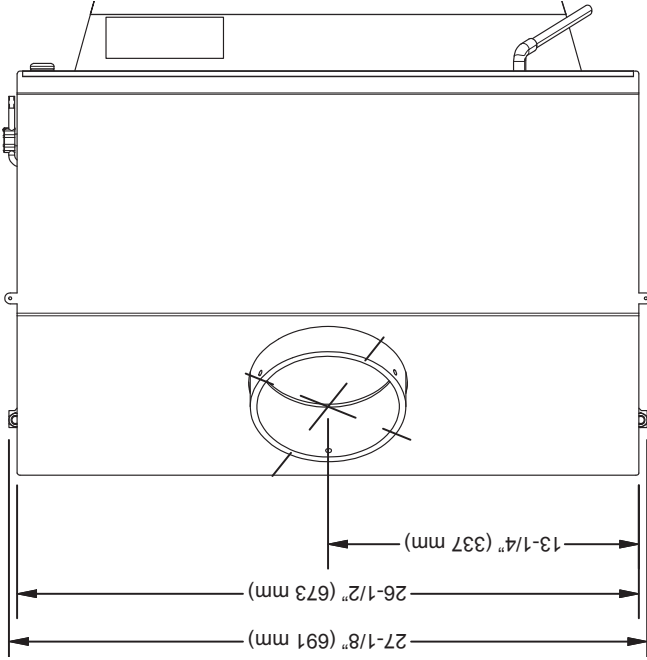
Expliquer le fonctionnement en toute sécurité, l'utilisation appropriée du carburant, le nettoyage et les exigences d'entretien courant

Déclaration d'achèvement: En tant que personne qualifiée responsable des travaux ci-dessus, je confirme que l'appareil en tant que travail associé a été installé conformément aux instructions du fabricant et en suivant les codes de construction et d'installation applicables.

Signé: _____ Nom en lettres moulées _____ Date: _____

Propriétaire du domicile: CONSERVEZ CETTE INFORMATION POUR RÉFÉRENCE FUTURE

Les instructions relatives à l'installation de votre poêle à bois sont conformes aux normes UL 1482-2011 (R2015) et UL-C-628-93. Ce manuel décrit l'installation et l'utilisation du chauffage au bois Vogelzang, VG1820. Ce poêle est conforme aux limites d'émissions de bois imposées par la US Environmental Protection Agency pour les poêles à bois vendus après le 15 mai 2020. Dans des conditions de test spécifiques, il a été démontré que ce poêle produisait de la chaleur à des débits allant de 9 487 à 33 050 Btu / h (* 1,8 g / h et une efficacité de 65,5%). Remarque: Les cotes de BTU mentionnées ci-dessus sont basées sur le protocole de test de l'EPA sur le bois d'œuvre dimensionné doublement dimensionnel dimensionnel. Nos BTU annoncés sont basés sur la première heure de fonctionnement avec du bois de chauffage brûlant à un taux de combustion élevé.



- AVERTISSEMENTS:**
- CHAUD DURANT LE FONCTIONNEMENT. MAINTENEZ LES ENFANTS, LES VÊTEMENTS ET LE MOBILIER ÉLOIGNÉS. TOUT CONTACT PEUT ENTRAÎNER DES BRÛLURES.
 - N'UTILISEZ PAS DE PRODUITS CHIMIQUES NI DE FLUIDES POUR DÉMARRER LE FEU.
 - NE LAISSEZ PAS LE POÊLE SANS SURVEILLANCE LORSQUE LA PORTE EST LÉGÈREMENT OUVERTE.
 - NE BRÛLEZ PAS DE DÉCHETS NI DE FLUIDES INFLAMMABLES TELS QUE L'ESSENCE, LE NAPHTHA OU L'HUILE POUR MOTEUR.
 - NE CONNECTEZ PAS LE POÊLE À UN CONDUIT OU CIRCUIT DE DISTRIBUTION D'AIR.
 - FERMERZ TOUJOURS LA PORTE APRÈS L'ALLUMAGE.



Remarque: Enregistrez votre produit en utilisant votre téléphone intelligent avec le code QR. Conservez vos reçus avec vos dossiers pour toute réclamation au titre de la garantie.

Vous pouvez également enregistrer votre produit en ligne sur www.usstove.com/support/product-registration / OU en téléchargeant l'application US Stove Company disponible pour iOS et Android.

Pour le service client, veuillez appeler: 1-800-750-2723 poste 5050 ou; Texte au 423-301-5624 ou; Écrivez-nous à: customerservice@usstove.com

Manuel d'instructions et d'utilisation du propriétaire



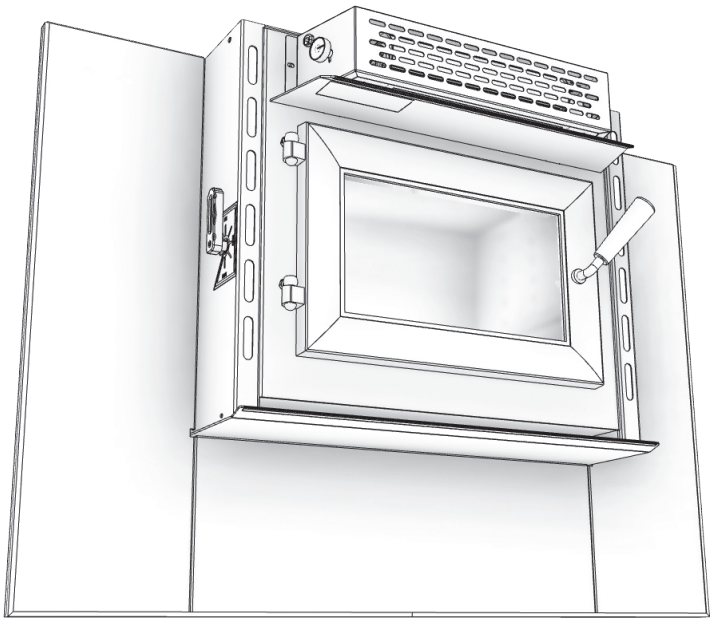
Numéros De Modèle:

VG1820



Rapport No: F19-552

Testé selon les méthodes EPA ALT-125, ASTM E2515, ASTM E3053 et CSA B415
Certifié: UL 1482-2022, UL-C-628-93
N'utilisez pas cet appareil dans un mobile home, une maison préfabriquée, une caravane ou une tente.



* Toutes les images de ce manuel sont à des fins d'illustration uniquement. Le produit réel peut varier.

Conservez ces instructions dans un endroit sûr pour référence ultérieure.



AVIS DE SÉCURITÉ: Si ce radiateur n'est pas correctement installé, un incendie peut en résulter. Pour votre sécurité, suivez les instructions d'installation. N'utilisez jamais de compromis de fortune lors de l'installation de ce radiateur. Contactez les responsables locaux du bâtiment ou des pompiers pour connaître les permis, les restrictions et les exigences d'installation dans votre région. NE JAMAIS UTILISER CE PRODUIT SANS SURVEILLANCE.



MISE EN GARDE! Veuillez lire l'intégralité de ce manuel avant d'installer ou d'utiliser votre nouveau radiateur. Le non-respect des instructions peut entraîner des dommages matériels, des blessures corporelles ou même la mort. Une installation incorrecte pourrait annuler votre garantie!

AGENCE AMÉRICAINE DE PROTECTION DE

L'ENVIRONNEMENT

Certifié conforme aux normes d'émissions de particules 2020.

CE MANUEL EST SUJET À MODIFICATION SANS PRÉAVIS.

AVERTISSEMENT SUR LA PROPOSITION 65 DE LA CALIFORNIE:
Ce produit peut vous exposer à des produits chimiques, y compris le monoxyde de carbone, qui est connu dans l'état de Californie pour provoquer le cancer, des anomalies congénitales et / ou d'autres troubles de la reproduction. Pour plus d'informations, visitez www.P65warnings.ca.gov