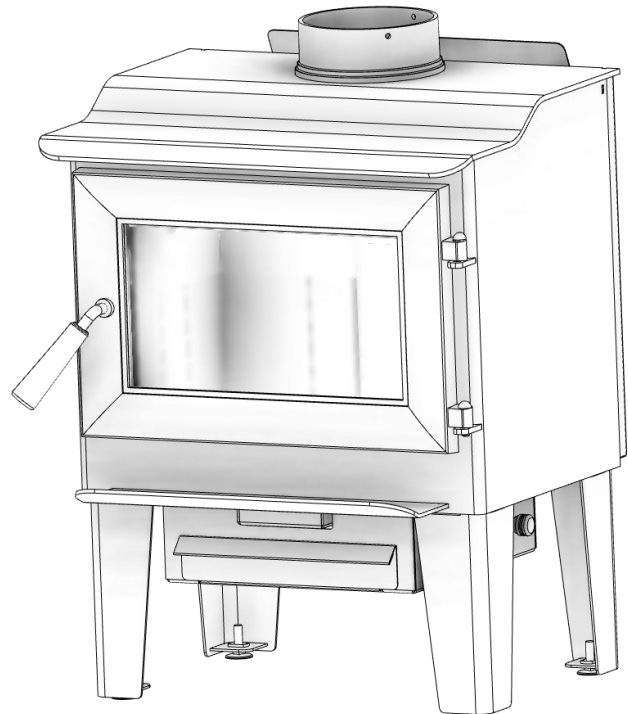
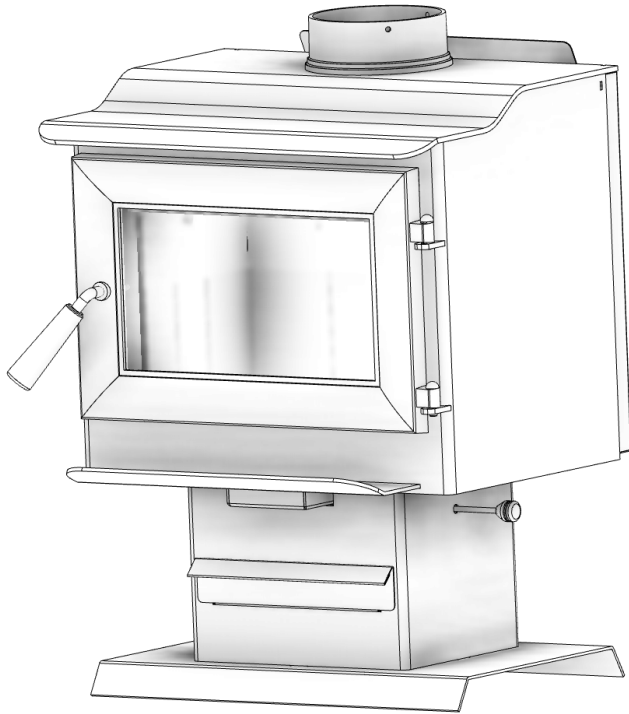


VOGELZANG

Affordable Heating Since 1974

Owner's Manual Model: VG1120



Save these instructions. This manual will help you to obtain efficient, dependable service from the heater, and enable you to order repair parts correctly. Keep in a safe place for future reference.

SAFETY NOTICE:

If this heater is not properly installed, a house fire may result. For your safety, follow the installation instructions. Never use make-shift compromises during the installation of this heater. Contact local building or fire officials about permits, restrictions and installation requirements in your area.

CAUTION!

Please read this entire manual before you install or use your new room heater. Failure to follow instructions may result in property damage, bodily injury, or even death. Improper Installation Could Void Your Warranty!

**UNITED STATES
STOVE CO.**
EST[®] 1869

United States Stove Company
PO Box 151, 227 Industrial Park Rd.,
South Pittsburg, TN 37380
PH: (800) 750-2723
www.usstove.com



Report Number: F19-473

Tested Per EPA Methods ALT-125, ASTM E2515, ASTM E3053 and CSA B415
Certified to UL 1482-2011 (R2015) and ULC-S627-00 (R2016)

Approved for mobile home installation in USA and Canada

U.S. Environmental Protection Agency
Certified to comply with 2020 particulate emissions standards.

⚠ CALIFORNIA PROPOSITION 65 WARNING:

This product can expose you to chemicals including carbon monoxide, which is known to the State of California to cause cancer, birth defects and/or other reproductive harm. For more information, go to www.P65warnings.ca.gov

853522B-4203i

This manual describes the installation and operation of the Vogelzang, VG1120 wood heater. This heater meets the 2020 U.S. Environmental Protection Agency's cordwood emission limits for wood heaters sold after May 15, 2020. Under specific test conditions this heater has been shown to deliver heat at rates ranging from 15,196 to 40,594 Btu/hr with 1.7 g/hr and 69% efficiency. Note: The BTU ratings mentioned above are based on the EPA test protocol under specific test conditions. Our advertised BTU's are based on the first hour of operation at high burn rate burning dry cordwood.

Combustible:	Wood	
Colors:	Metallic Black	
Flue Pipe Diameter:	6" (153 mm)	
Flue Pipe Type: (Standard Single Wall or Double Wall):	Black or Blued Steel 2100°F (650°C)	
Minimum Chimney Height:	12' (3.7 m)	
Maximum Log Length:	18" (458 mm)	
Electrical:	120VAC, 0.55A, 60Hz	
Dimensions		
Overall: Depth x Width x Height:	VG1120-BL	27.25" X 22.48" X 30.85" (693 mm X 571 mm X 783.59 mm)
	VG1120-BP	27.25" X 22.48" X 31.71" (693 mm X 571 mm X 806 mm)
Combustion Chamber: Width x Depth:	18.29" x 11" (465 mm X 280 mm)	
Firebox Volume: Cubic Feet:	1.31 cubic feet	
Door Opening: Width x Height:	15.98" x 8.54" (406 mm X 217 mm)	
Pyroceramic Glass Door: (Viewing) Width x Height:	14.37" x 7.76" (365 mm X 198 mm)	

CAUTIONS:

- HOT WHILE IN OPERATION. KEEP CHILDREN, CLOTHING AND FURNITURE AWAY. CONTACT MAY CAUSE SKIN BURNS.
- DO NOT USE CHEMICALS OR FLUIDS TO IGNITE THE FIRE.
- DO NOT LEAVE THE STOVE UNATTENDED WHEN THE DOOR IS SLIGHTLY OPENED.
- DO NOT BURN GARBAGE, FLAMMABLE FLUID SUCH AS GASOLINE, NAPHTHA OR MOTOR OIL.
- DO NOT CONNECT TO ANY AIR DISTRIBUTION DUCT OR SYSTEM.
- ALWAYS CLOSE THE DOOR AFTER THE IGNITION.

Note: Register your product on line at www.usstove.com. Save your receipt with your records for any claims.

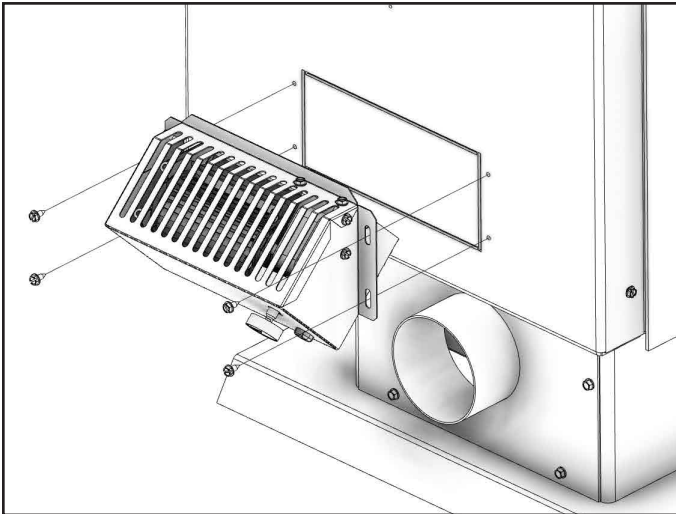
Assembly

UNPACK AND INSPECT

Remove the packing from the appliance and inspect for any damage. Your appliance is packed with the door handle spring not installed. Ensure that the bricks are positioned correctly and not broken (see illustration for proper brick arrangement). Make sure that the baffle board, above the air tubes, is in place and undamaged. (DO NOT REMOVE).

BLOWER ASSEMBLY

The blower assembly must be disconnected from the source of electrical supply before attempting the installation. The blower assembly is intended for use only with a stove that is marked to indicate such use. Do not route the supply cord near or across hot surfaces! Fix the assembly to the back of the stove with the four screws provided.

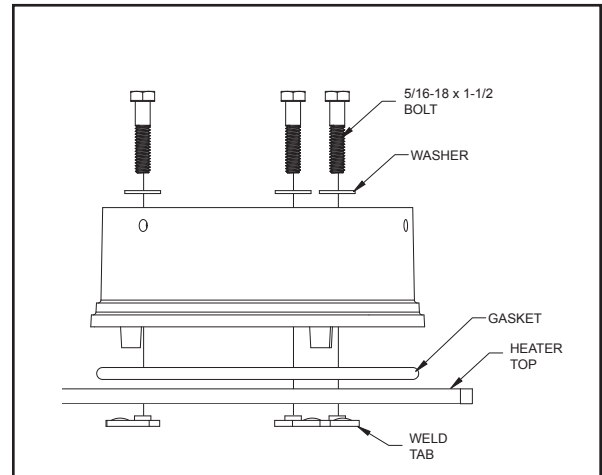


ASH PAN ASSEMBLY

Remove ash pan from firebox. Under the firebox, there are two brackets; Slide the ash pan into these brackets.

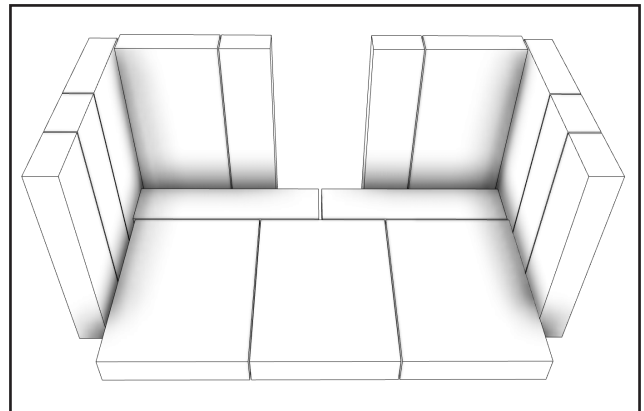
FLUE COLLAR ASSEMBLY

Mount the flue collar to the top of the unit as shown using the (3) 5/16-18 x 1-1/2 bolts, (3) washers, and (3) weld tabs provided in the parts box.



FIREBRICK CONFIGURATION

Replace the Firebrick as shown in the illustration.



Installation

SAFETY NOTICE

- IF THIS STOVE IS NOT PROPERLY INSTALLED, A HOUSE FIRE MAY RESULT. TO REDUCE THE RISK OF FIRE, FOLLOW THE INSTALLATION INSTRUCTIONS.
- CONSULT YOUR MUNICIPAL BUILDING DEPARTMENT OR FIRE OFFICIALS ABOUT PERMITS, RESTRICTIONS AND INSTALLATIONS REQUIREMENTS IN YOUR AREA.
- USE SMOKE DETECTORS IN THE ROOM WHERE YOUR STOVE IS INSTALLED.
- KEEP FURNITURE AND DRAPES WELL AWAY FROM THE STOVE.
- NEVER USE GASOLINE, GASOLINE-TYPE LANTERN FUEL, KEROSENE, CHARCOAL LIGHTER FLUID, OR SIMILAR LIQUIDS TO START OR "FRESHEN UP" A FIRE IN THIS HEATER. KEEP ALL SUCH LIQUIDS WELL AWAY FROM THE HEATER WHILE IT IS IN USE.
- IN THE EVENT OF A CHIMNEY FIRE, PUSH THE AIR CONTROL FULL CLOSED TO DEPRIVE THE FIRE OF OXYGEN. CALL THE FIRE DEPARTMENT.
- DO NOT CONNECT TO ANY AIR DISTRIBUTION DUCT OR SYSTEM.
- A SOURCE OF FRESH AIR INTO THE ROOM OR SPACE HEATED SHALL BE PROVIDED WHEN REQUIRED.

POSITIONING THE STOVE

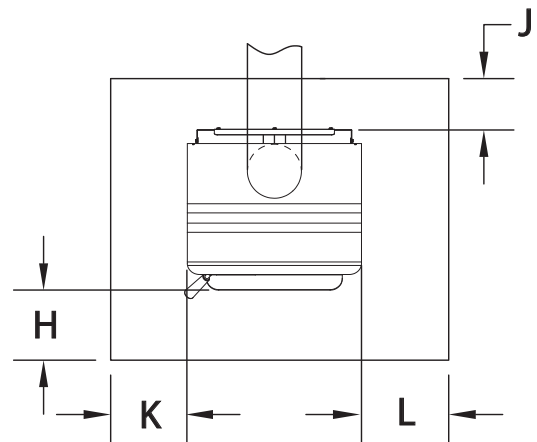
It is very important to position the wood stove as close as possible to the chimney, and in an area that will favor the most efficient heat distribution possible throughout the house. The stove must therefore be installed in the room where the most time is spent, and in the most spacious room possible. Recall that wood stoves produce radiating heat, the heat we feel when we are close to a wood stove. A wood stove also functions by convection, that is through the displacement of hot air accelerated upwards and its replacement with cooler air. If necessary, the hot air distribution from the stove may be facilitated by the installation of a blower. The wood stove must not be hooked up to a hot air distribution system since an excessive accumulation of heat may occur. A wood stove must never be installed in a hallway or near a staircase, since it may block the way in case of fire or fail to respect required clearances.

FLOOR PROTECTOR

This heater must have a non-combustible floor protector (ember protection) installed beneath it if the floor is of combustible material. If a floor pad is used, it should be UL listed or equal. The floor pad or non-combustible surface should be large enough to extend under the stove and beyond each side as indicated. If there is a horizontal run of flue pipe, there needs to be floor protection under it that extends two inches beyond either side of the pipe.

Key	Dimension	Inch	mm
*H	Front	16	407
J	Back	2	51
K	Left	8	204
L	Right	8	204

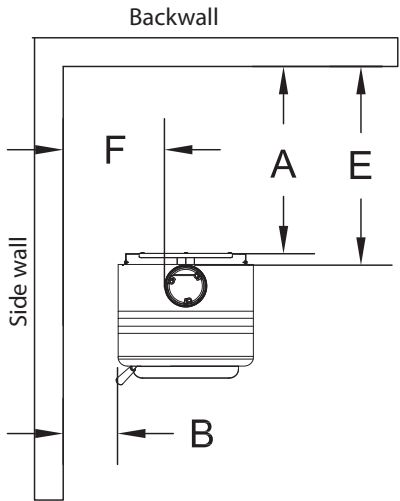
* Canadian installations require 18" (457mm)



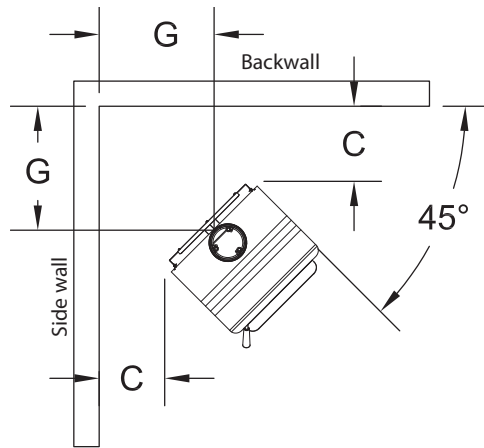
FLOOR PROTECTOR DIMENSIONS

CLEARANCES TO COMBUSTIBLES

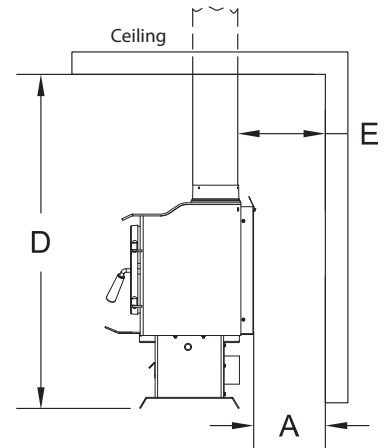
It is of utmost importance that the clearances to combustible materials be strictly adhered to during installation of the stove. Refer to the provided tables:



CLEARANCE TO WALLS



**CORNER INSTALLATION
CLEARANCE TO WALLS**



**CORNER INSTALLATION
CLEARANCE TO
WALLS & CEILING**

- Do not place any combustible material within 4' (1.2 m) of the front of the unit.
- The clearance between the flue pipe and a wall are valid only for vertical walls and for vertical flue pipe.
- The chimney connector must not pass through an attic or roof space, closet or similar concealed space, a floor, or a ceiling.
- For Canadian installations, where passage through a wall, or partition of combustible construction is desired, the installation must conform to CAN/CSA-B365.
- A flue pipe crossing a combustible wall must have a minimum clearance of 18" (457.2 mm).
- To reduce flue clearances from combustible materials, contact your local safety department.

Key	Dimensions	Inch	mm
A	Backwall to Stove	17	432
B	Sidewall to Stove	21	534
C	Wall to corner (Angled Installation)	14	356
D	Ceiling Height	84	2134
E	Backwall to Flue	20	508
F	Sidewall to Flue	29	737
G	Wall to Flue (Angled Installation)	22	559

SPECIAL MOBILE HOME REQUIREMENTS

WARNING! - Do not install in a sleeping room

CAUTION! - The structural integrity of the mobile home floor, wall, and ceiling/roof must be maintained.

In addition to the previously detailed installation requirements, mobile home installations must meet the following requirements:

- The space heater is to be connected to a factory-built chimney conforming to CAN/ULC-S629, Standard for 650°C Factory-Built Chimneys.
- The heater must be permanently attached to the floor. There are two holes in the pedestal base, use 3/8" bolts through the floor.
- The heater must be electrically grounded to the steel chassis of the mobile home with 8 GA copper wire using a serrated or star washer to penetrate paint or protective coating to ensure grounding.
- When moving your mobile home, all exterior venting must be removed while the mobile home is being relocated. After relocation, all venting must be reinstalled and securely fastened.
- Outside Air is mandatory for mobile home installation. See your dealer for purchasing.
- Check with your local building officials as other codes may apply.
- Only use the specified components listed in this manual for this unit. The use of components that are not meant for this unit can cause unsafe conditions.

COMBUSTION AIR ASSEMBLY INSTRUCTIONS (MOBILE HOME INSTALLATIONS - REQUIRED)

This appliance requires a source of combustion air. If your home is of tight construction or has negative pressure problems, you will need an outside source of air. Below is a list of possible indicators that a source of outside combustion air may be required.

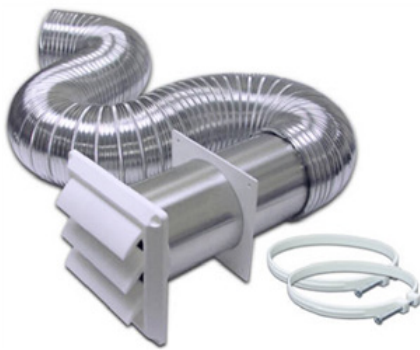
- Your stove does not draw steadily, smoke rollout occurs, wood burns poorly, or back-drafts occur whether or not there is combustion present.
- Existing fuel-fired equipment in the house, such as fireplaces or other heating appliances, smell, do not operate properly, suffer smoke roll-out when opened, or back-drafts occur whether or not there is combustion present.
- Opening a window slightly on a calm (windless) day alleviates any of the above symptoms.
- The house is equipped with a well-sealed vapor barrier and tight fitting windows and/or has any powered devices that exhaust house air.
- There is excessive condensation on windows in the winter.
- A ventilation system is installed in the house.

If an outside air intake is required, you may purchase a standard 4" Dryer Vent kit from your local hardware supply store and install it on the rear of the appliance.

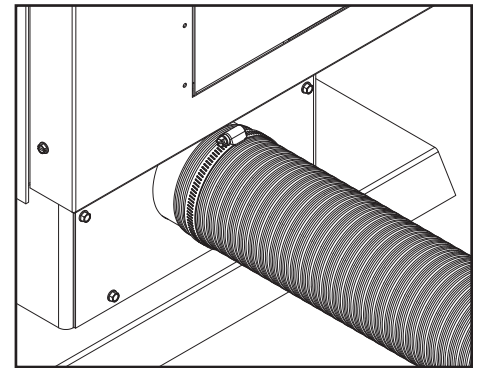
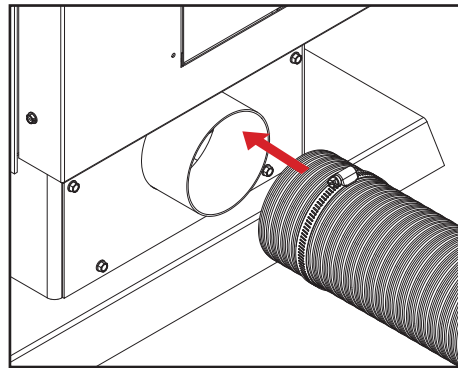
When using a Dryer venting kit, the outlet cover must be of a design that DOES NOT close by means of a flap or trap door. You must purchase a style that allows a continuous in-flow of air and that has a rodent screen. This adapter can be purchased from your dealer.

4FAK INSTALLATION

Follow the manufacturer's installation instructions for attaching the dryer vent kit to the home. Then, attach it to the adapter on the combustion air inlet on the back of the pedestal as shown.



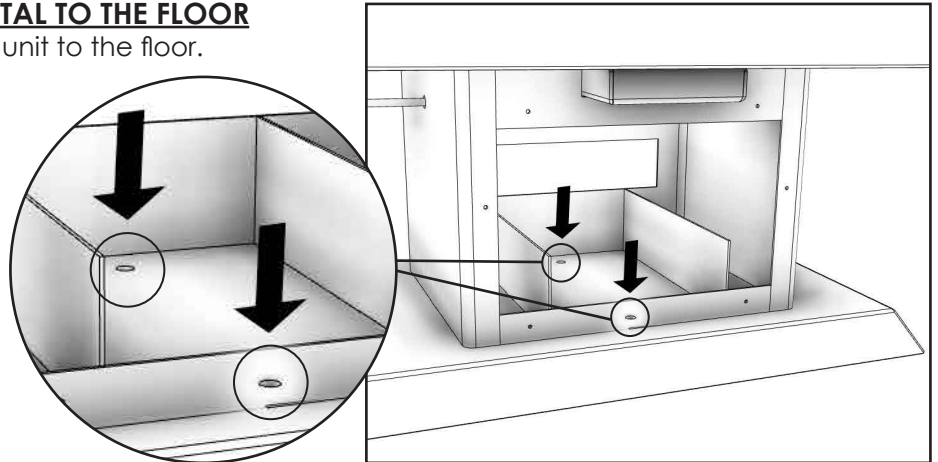
"Dryer Venting Kit"
Installation



Slide the hose clamp over the aluminium flex pipe. Then slide the flex pipe over the air intake tube of the stove. Next tighten the hose clamp over the end of the aluminium flex hose.

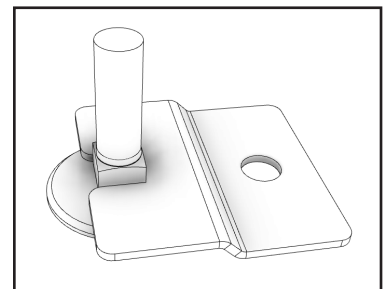
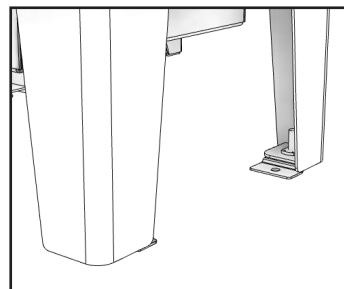
SECURING APPLIANCE'S ON A PEDESTAL TO THE FLOOR

Use the designated holes to secure the unit to the floor.



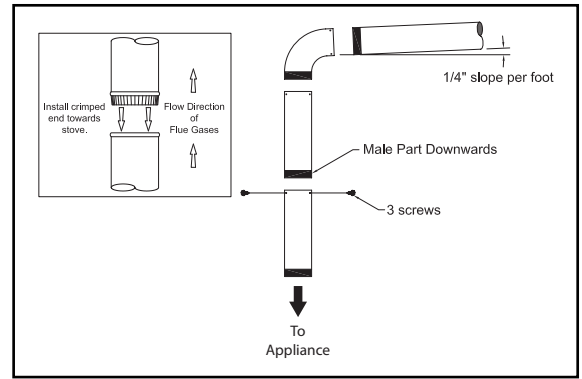
SECURING APPLIANCE'S WITH LEGS TO THE FLOOR

1. The bracket engages around the square extrusion of the leveling bolt inserted into the leg.
2. Once appliance is leveled, position the bracket and attach to the floor using the appropriate hardware needed for your specific flooring.
3. Install one bracket per leg or consult your local authority having jurisdiction to determine how many points of attachment are required.



CHIMNEY CONNECTOR (STOVE PIPE)

The chimney connector and chimney must have the same diameter as the stove outlet (6"). If this is not the case, we recommend you contact your dealer to ensure there will be no problem with the draft. The stovepipe must be made of aluminized or cold roll steel and have a minimum thickness of 0.021" or 0.53mm. It is strictly forbidden to use galvanized steel. The smoke pipe should be assembled to promote the male section (crimped end) of the pipe to be faced down. Attach each section to another with three equidistant metal screws. The pipe must be short and straight. All sections installed horizontally must slope at least 1/4 inch per foot, with the upper end of the section toward the chimney. Any installation with a horizontal run of chimney pipe must conform to NFPA 211. Contact NFPA (National Fire Protection Association) and request the latest edition of the NFPA Standard 211. To ensure a good draft, the total length of the coupling pipe should never exceed 8' to 10' (2.4m to 3.04m). Except for cases of vertical installation, in a cathedral-roof style where the smoke exhaust system can be much longer and connected without problem to the chimney at the ceiling of the room. There should never be more than two 90 degree elbows in the smoke exhaust system. The installation of a "barometric draft stabilizer" (fireplace register) on a smoke exhaust system is prohibited. Furthermore, the installation of a draft damper is not recommended. With a controlled combustion wood stove, the draft is regulated upon intake of the combustion air in the stove and not at the exhaust.

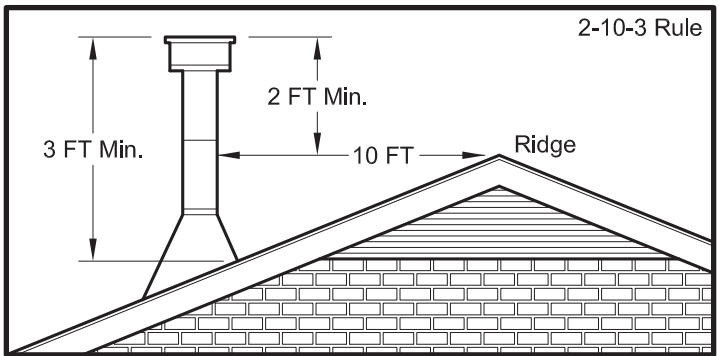


IMPORTANCE OF PROPER DRAFT

Draft is a force that moves air from the appliance up through the chimney. The amount of draft in your chimney depends on the length of the chimney, local geography, nearby obstructions and other factors. Too much draft may cause excessive temperatures in the appliance. An inadequate draft may cause back-puffing into the room and 'plugging' of the chimney. An inadequate draft will cause the appliance to leak smoke into the room through appliance and chimney connector joints. An uncontrollable burn or excessive temperature indicates an excessive draft.

CHIMNEY

Your wood stove may be hooked up with a 6" factory-built or masonry chimney. If you are using a factory-built chimney, it must comply with UL 103 or CSA-B365 standard; therefore it must be a Type HT (2100°F). It must be installed according to the manufacturer's specifications. Take into account the chimney's location to ensure it is not too close to neighbors or in a valley which may cause unhealthy or nuisance conditions. If you are using a masonry chimney, it must be built in compliance with the specifications of the National Building Code. It must be lined with fire clay bricks, metal or clay tiles sealed together with fire cement. Round flues are the most efficient. The interior diameter of the chimney flue must be identical to the stove smoke exhaust. A flue which is too small may cause draft problems, while a large flue favors rapid cooling of the gas, and hence the build-up of creosote and the risk of chimney fires. Note that it is the chimney and not the stove which creates the draft effect; your stove's performance is directly dependent on an adequate draft from your chimney. **Do not connect this unit to a chimney flue serving another appliance.**

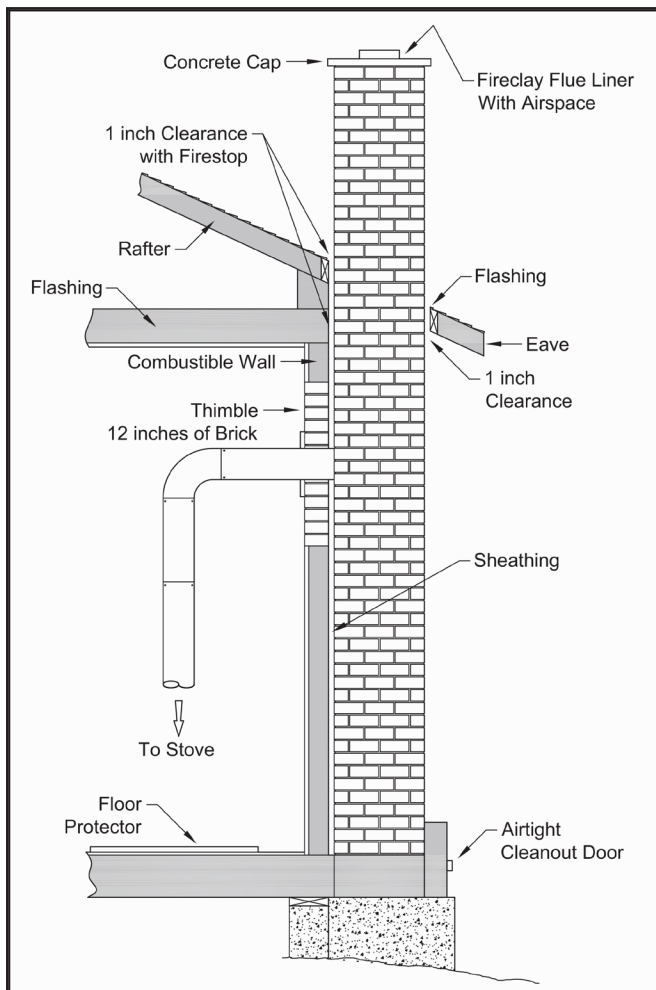
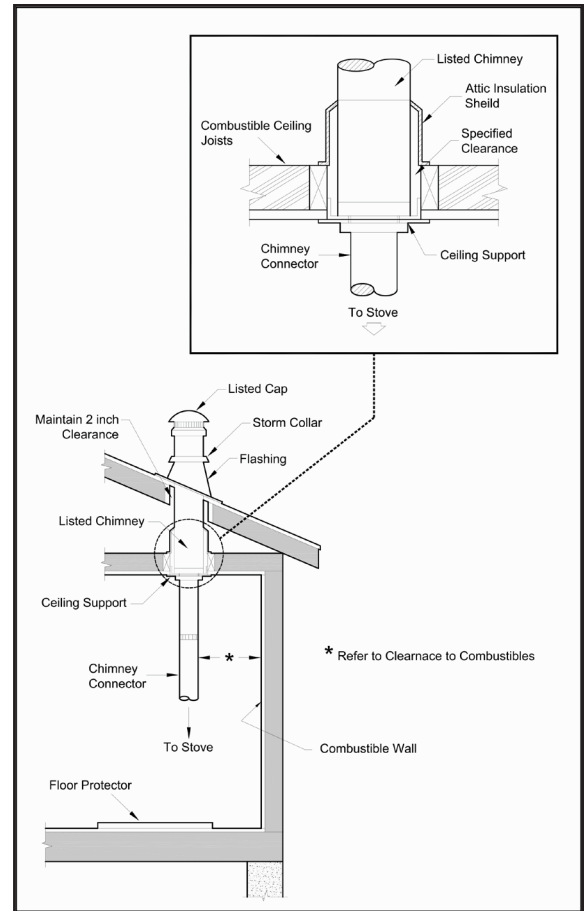


The following recommendations may be useful for the installation of your chimney:

1. It must rise above the roof at least 3' (0.9m) from the uppermost point of contact.
2. The chimney must exceed any part of the building or other obstruction within a 10' (3.04m) distance by a height of 2' (0.6m).
3. The installation of an interior chimney is always preferable to an exterior chimney. Indeed, the interior chimney will, by definition, be hotter than an exterior chimney, being heated up by the ambient air in the house. Therefore the gas which circulates will cool more slowly, thus reducing the build-up of creosote and the risk of chimney fires.
4. The draft caused by the tendency for hot air to rise will be increased with an interior chimney.
5. Using a fire screen at the extremity of the chimney requires regular inspection to ensure that it is not obstructed thus blocking the draft, and it should be cleaned when used regularly.

FACTORY BUILT CHIMNEY

When a metal prefabricated chimney is used, the manufacturer's installation instructions must be followed. You must also purchase (from the same manufacturer) and install the ceiling support package or wall pass-through and "T" section package, firestops (where needed), insulation shield, roof flashing, chimney cap, etc. Maintain proper clearance to the structure as recommended by the manufacturer. The chimney must be the required height above the roof or other obstructions for safety and proper draft operation.



MASONRY CHIMNEY

Ensure that a masonry chimney meets the minimum standards of the National Fire Protection Association (NFPA) by having it inspected by a professional. Make sure there are no cracks, loose mortar or other signs of deterioration and blockage. Be sure to the chimney cleaned before the stove is installed and operated. When connecting the stove through a combustible wall to a masonry chimney, special methods are needed.

COMBUSTIBLE WALL CHIMNEY CONNECTOR PASS-THROUGHS

METHOD A - 12" (304.8 mm) Clearance to Combustible Wall Member: Using a minimum thickness 3.5" (89 mm) brick and a 5/8" (15.9 mm) minimum wall thickness clay liner, construct a wall pass-through. The clay liner must conform to ASTM C315 (Standard Specification for Clay Fire Linings) or its equivalent. Keep a minimum of 12" (304.8 mm) of brick masonry between the clay liner and wall combustibles. The clay liner shall run from the brick masonry outer surface to the inner surface of the chimney flue liner but not past the inner surface. Firmly grout or cement the clay liner in place to the chimney flue liner.

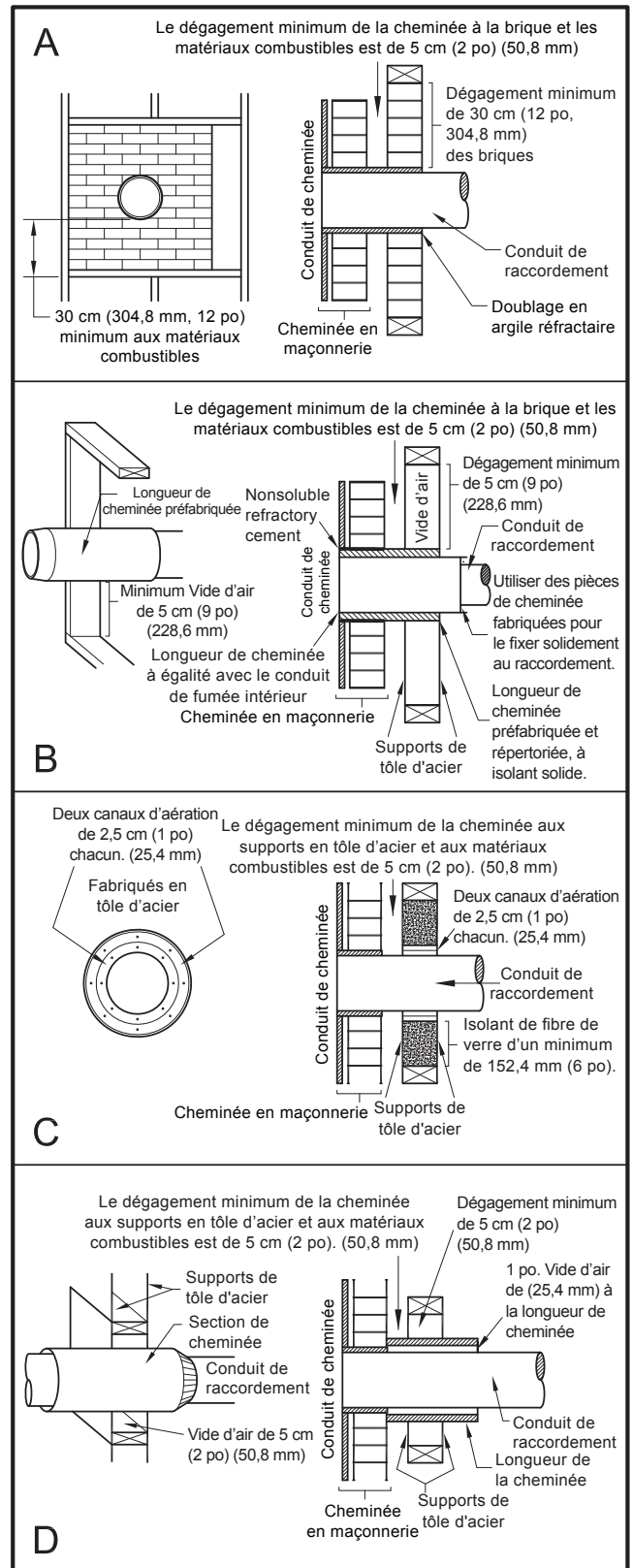
METHOD B - 9" (228.6 mm) Clearance to Combustible Wall Member: Using a 6" (152.4 mm) inside diameter, listed, factory-built Solid-Pak chimney section with insulation of 1" (25.4 mm) or more, build a wall pass-through with a minimum 9" (228.6 mm) air space between the outer wall of the chimney length and wall combustibles. Use sheet metal supports fastened securely to wall surfaces on all sides, to maintain the 9" (228.6 mm) air space. When fastening supports to chimney length, do not penetrate the chimney liner (the inside wall of the Solid-Pak chimney). The inner end of the Solid-Pak chimney section shall be flush with the inside of the masonry chimney flue, and sealed with a non-water soluble refractory cement. Use this cement to also seal to the brick masonry penetration.

METHOD C - 6" (152.4 mm) Clearance to Combustible Wall Member: Starting with a minimum 24 gage (.024" [.61 mm]) 6" (152.4 mm) metal chimney connector, and a minimum 24 gage ventilated wall thimble which has two air channels of 1" (25.4 mm) each, construct a wall pass-through. There shall be a minimum 6" (152.4 mm) separation area containing fiberglass insulation, from the outer surface of the wall thimble to wall combustibles. Support the wall thimble, and cover its opening with a 24-gage minimum sheet metal support. Maintain the 6" (152.4 mm) space. There should also be a support sized to fit and hold the metal chimney connector. See that the supports are fastened securely to wall surfaces on all sides. Make sure fasteners used to secure the metal chimney connector do not penetrate chimney flue liner.

METHOD D - 2" (50.8 mm) Clearance to Combustible Wall Member: Start with a solid-pak listed factory built chimney section at least 12" (304 mm) long, with insulation of 1" (25.4 mm) or more, and an inside diameter of 8" (2 inches [51 mm] larger than the 6" [152.4 mm] chimney connector). Use this as a pass-through for a minimum 24-gauge single wall steel chimney connector. Keep solid-pak section concentric with and spaced 1" (25.4 mm) off the chimney connector by way of sheet metal support plates at both ends of chimney section. Cover opening with and support chimney section on both sides with 24 gage minimum sheet metal supports. See that the supports are fastened securely to wall surfaces on all sides. Make sure fasteners used to secure chimney flue line do not penetrate the inner liner.

NOTES:

1. Connectors to a masonry chimney, excepting method B, shall extend in one continuous section through the wall pass-through system and the chimney wall, to but not past the inner flue liner face.
2. A chimney connector shall not pass through an attic or roof space, closet or similar concealed space, or a floor, or ceiling.



Operation

WOOD STOVE UTILIZATION

The operation of this wood heater in a manner inconsistent with the owner's manual will void your warranty and is also against federal regulations. This heater is designed to burn natural wood only. Higher efficiencies and lower emissions generally result when burning air dried seasoned hardwoods, as compared to softwoods or too green or freshly cut hardwoods.

DO NOT BURN:

1. Garbage;
2. Lawn clippings or yard waste;
3. Materials containing rubber, including tires;
4. Materials containing plastic;
5. Waste petroleum products, paints or paint thinners, or asphalt products;
6. Materials containing asbestos;
7. Construction or demolition debris;
8. Railroad ties or pressure-treated wood;
9. Manure or animal remains;
10. Saltwater driftwood or other previously salt water-saturated materials;
11. Unseasoned wood; or
12. Paper products, cardboard, plywood, or particleboard. The prohibition against burning these materials does not prohibit the use of fire starters made from paper, cardboard, sawdust, wax, and similar substances to start a fire in an affected wood heater.

Burning these materials may result in the release of toxic fumes or render the heater ineffective and cause smoke. Deadwood lying on the forest floor should be considered wet and requires full seasoning time. Standing deadwood can usually be considered to be about 2/3 seasoned. Splitting and stacking wood before it is stored accelerates the drying time. Storing wood on an elevated surface from the ground and under a cover or covered area from rain or snow also accelerates the drying time. A good indicator of if the wood is ready to burn is to check the piece ends. If cracks are radiating in all directions from the center then the wood should be dry enough to burn. If your wood sizzles in the fire, even though the surface is dry, it may not be fully cured and should be seasoned longer.

Do not burn manufactured logs made of wax impregnated sawdust or logs with any chemical additives. Manufactured logs made of 100% compressed sawdust can be burned, but be careful burning too much of these logs at the same time. Start with one manufactured log and see how the stove reacts. You can increase the number of logs burned at a time but make sure the temperature never rises higher than 475 °F (246 °C) on a magnetic thermometer for installation on single wall stove pipes or 900 °F (482 °C) on a probe thermometer for installation on double wall stove pipe. The thermometer should be placed about 18" (457 mm) above the stove. Higher temperatures can lead to overheat and damage your stove.



Waste and other flammable materials should not be burned in your stove. Any type of wood may be used in your stove, but specific varieties have better energy yields than others. Please consult the following table to make the best possible choice.

TYPE	WEIGHT (LBS. CU. FT., DRY)	PER CORD	EFFICIENCY RANKING	SPLITS	MILLIONS BTU's/CORD
Hickory	63	4500	1.0	Well	31.5
White Oak	48	4100	.9	Fair	28.6
Red Oak	46	3900	.8	Fair	27.4
Beech	45	3800	.7	Hard	26.8
Sugar Maple	44	3700	.6	Fair	26.2
Black Oak	43	3700	.6	Fair	25.6
Ash	42	3600	.5	Well	25.0
Yellow Birch	40	3400	.4	Hard	23.8
Red Maple	38	3200	.3	Fair	22.6
Paper Birch	37	3100	.3	Easy	22.1
Elm/ Sycamore	34	2900	.2	Very Difficult	20.1
Red Spruce	29	1800	.1	Easy	16.1

It is EXTREMELY IMPORTANT to use DRY WOOD only in your wood stove. The wood should have dried for 9 to 15 months, such that the humidity content (in weight) is reduced below 20% of the weight of the log. It is very important to keep in mind that even if the wood has been cut for one, two or even more years, it is not necessarily dry, if it has been stored in poor conditions. Under extreme conditions, it may rot instead of drying. This point cannot be overstressed; the vast majority of the problems related to the operation of a wood stove is caused by the fact that the wood used was too damp or had dried in poor conditions. These problems can be:

- ignition problems
- creosote build-up causing chimney fires
- low energy yield
- blackened windows
- incomplete log combustion

Smaller pieces of wood will dry faster. All logs exceeding 6" in diameter should be split. The wood should not be stored directly on the ground. Air should circulate through the cord. A 24" to 48" air space should be left between each row of logs, which should be placed in the sunniest location possible. The upper layer of wood should be protected from the elements but not the sides.

OPERATIONAL TIPS

- Get the appliance hot and establish a good coal bed before adjusting to a low burn rate (this may take 30 minutes or more depending on your wood)
 - Use smaller pieces of wood during start-up and a high burn rate to increase the stove temperature
 - Be considerate of the environment and only burn dry wood
 - Burn small, intense fires instead of large, slow-burning fires when possible
 - Learn your appliance's operating characteristics to obtain optimum performance
- Burning unseasoned wet wood only hurts the stove's efficiency and leads to accelerated creosote buildup in your chimney

TESTING YOUR WOOD

- When the stove is thoroughly warmed, place one piece of split wood (about five inches in diameter) parallel to the door on the bed of red embers.
- Keep the air control fully open by pulling on it and close the door. If the piece ignites within 90 seconds from the time it was placed into the stove, your wood is correctly dried. If ignition takes longer, your wood is damp.
- If your wood hisses and water or vapor escapes at the ends of the piece, your wood is soaked or freshly cut. Do not use this wood in your stove. Large amounts of creosote could be deposited in your chimney, creating potential conditions for a chimney fire.

TAMPER WARNINGS

This wood heater has a manufacturer-set minimum low burn rate that must not be altered. It is against federal regulations to alter this setting or otherwise operate this wood heater in a manner inconsistent with operating instructions in this manual.

CAUTION: Never alter the damper slide or the adjustment range to increase firing for any reason. Doing so could result in heater damage and will void your warranty.
--

THE FIRST FIRES

The fresh paint on your stove needs to be cured to preserve its quality. Once the fuel charge is properly ignited, only burn small fires in your stove for the first four hours of operation. Never open the air control more than necessary to achieve a medium burn rate. Make sure that there's enough air circulation while curing the stove. The odors could be smelled during the 3 or 4 first fires. Never start your stove outside. You will not be able to see if you are overheating.

IGNITION

After making sure that the stove air intake controls are fully open (completely pull-out towards you), The top-down method of fire building is recommended for this appliance. After making sure that the stove air intake controls are fully open (completely pull-out towards you), Place the largest pieces of wood on the bottom, laid in parallel and close together. Smaller pieces are placed in a second layer, crossways to the first. The third layer of still smaller pieces are laid crossways to the second, this time with some spaces between. Then the fourth layer of loose, small kindling and twisted newspaper sheets tops off the pile. Before igniting the paper and kindling wood, it is recommended that you warm up the chimney. This is done to avoid backdraft problems often due to

negative pressure in the house. If such is the case, open a window slightly near the stove and twist together a few sheets of newspaper into a torch. Light up this paper torch and hold it as close as possible to the mouth of the pipe inside the combustion chamber to warm up the chimney. Once the updraft movement is initiated, you are ready to ignite the stove by lighting the paper and kindling wood inside the combustion chamber.

Primary Air Settings (Slide Damper is located in center of stove under hearth plate) (Damper Adjustment: Pulling out on damper increases air)		Electric Blower Speed Setting (Variable) (Blower is on High when turned "ON", Rotate clockwise until stop for "LOW".)	
Burn Rate	Adjust Damper from fully closed	Burn Time	Blower Speed
Low	Fully Closed	@ 30 minutes	Low
Medium	5/8"	@ 30 minutes	Low
High	1-1/8"	All minutes	High

HEATING

Controlled combustion is the most efficient technique for wood heating because it enables you to select the type of combustion you want for each given situation. The wood will burn slowly if the woodstove air intake control is adjusted to reduce the oxygen supply in the combustion chamber to a minimum. On the other hand, wood will burn quickly if the air control is adjusted to admit a larger quantity of oxygen in the combustion chamber. The air intake control on your stove is very simple. If you pull on it out completely towards you, it is fully open. If you push on it until it stops the combustion air is reduced to a minimum. Real operating conditions may give very different results than those obtained during testing according to the species of wood used, its moisture content, the size and density of the pieces, the length of the chimney, altitude and outside temperature.

EFFICIENCY

Efficiencies can be based on either the lower heating value (LHV) or the higher heating value (HHV) of the fuel. The lower heating value is when the water leaves the combustion process as a vapor, in the case of woodstoves the moisture in the wood being burned leaves the stove as a vapor. The higher heating value is when the water leaves the combustion process completely condensed. In the case of woodstoves, this would assume the exhaust gases are room temperature when leaving the system, and therefore calculations using this heating value consider the heat going up the chimney as lost energy. Therefore, efficiency calculated using the lower heating value of wood will be higher than the efficiency calculated using the higher heating value. In the United States, all woodstove efficiencies should be calculated using the higher heating value.

The best way to achieve optimum efficiencies is to learn the burning characteristic of this appliance and burn well-seasoned wood. Higher burn rates are not always the best heating burn rates; after a good fire is established a lower burn rate may be a better option for efficient heating. A lower burn rate slows the flow of usable heat out of the home through the chimney, and it also consumes less wood.

VISIBLE SMOKE

The amount of visible smoke being produced can be an effective method of determining how efficiently the combustion process is taking place in the given settings. Visible smoke consists of unburned fuel and moisture leaving your stove. Learn to adjust the air settings of your specific unit to produce the smallest amount of visible smoke. Wood that has not been seasoned properly and has a high wood moisture content will produce excess visible smoke and burn poorly.

WARNINGS:

- NEVER OVERFIRE YOUR STOVE. IF ANY PART OF THE STOVE STARTS TO GLOW RED, OVER FIRING IS HAPPENING. READJUST THE AIR INTAKE CONTROL AT A LOWER SETTING.
- THE INSTALLATION OF A LOG CRADLE OR GRATES IS NOT RECOMMENDED IN YOUR WOOD STOVE. BUILD FIRE DIRECTLY ON FIREBRICK.
- NEVER PUT WOOD ABOVE THE FIREBRICK LINING OF THE FIREBOX.
- ATTEMPTS TO ACHIEVE HEAT OUTPUT RATES THAT EXCEED HEATER DESIGN SPECIFICATIONS CAN RESULT IN PERMANENT DAMAGE TO THE HEATER.

RELOADING

Once you have obtained a good bed of embers, you should reload the unit. To do so, open the air controls to maximum a few seconds before opening the stove's door. Then proceed by opening the door very slowly; open it one or two inches for 5 to 10 seconds, before opening it completely to increase the draft and thus eliminate the smoke which is stagnant in a state of slow combustion in the stove. Then bring the red embers to the front of the stove and reload the unit. For optimal operation of your wood stove, we recommend you to operate it with a wood load approximately equivalent to the height of fire bricks. It is important to note that wood combustion consumes ambient oxygen in the room. In the case of negative pressure, it is a good idea to allow fresh air in the room, either by opening a window slightly or by installing a fresh air intake system on an outside wall.

CREOSOTE FORMATION AND NEED FOR REMOVAL

When wood is burned slowly, it produces tar and other organic vapors, which combine with expelled moisture to form creosote. The creosote vapors condense in the relatively cool chimney flue of a slow-burning fire. As a result, creosote residue accumulates on the flue lining. When ignited this creosote makes an extremely high temper fire. The chimney connector and chimney should be inspected at least once every two months during the heating season to determine if a creosote build-up has occurred. If creosote has accumulated (3 mm or more), it should be removed to reduce the risk of a chimney fire.

We strongly recommend that you install a magnetic thermometer on your smoke exhaust pipe, approximately 18" above the stove. This thermometer will indicate the temperature of your gas exhaust fumes within the smoke exhaust system. The ideal temperature for these gases is somewhere between 275°F and 500°F. Below these temperatures, the build-up of creosote is promoted. Above 500°F, heat is wasted since a too large quantity is lost into the atmosphere.

TO PREVENT CREOSOTE BUILD UP

- Always burn dry wood. This allows clean burns and higher chimney temperatures, therefore less creosote deposit.
- Leave the air control fully open for about 5 min. every time you reload the stove to bring it back to proper operating temperatures. The secondary combustion can only take place if the firebox is hot enough.
- Always check for creosote deposit once every two months and have your chimney cleaned at least once a year.

If a chimney or creosote fire occurs, close all dampers immediately. Wait for the fire to go out and the heater to cool, then inspect the chimney for damage. If no damage results, perform a chimney cleaning to ensure no more creosote deposits is remaining in the chimney.

ASH DISPOSAL

Whenever ashes get 3 to 4 inches deep in your firebox or ash pan, and when the fire has burned down and cooled, remove excess ashes. Leave an ash bed approximately 1 inch deep on the firebox bottom to help maintain a hot charcoal bed. Ashes should be placed in a metal container with a tight-fitting lid. The closed container of ashes should be placed on a non-combustible floor or the ground, away from all combustible materials, pending final disposal. The ashes should be retained in the closed container until all cinders have thoroughly cooled.

CAUTIONS:

- ASHES COULD CONTAIN HOT EMBERS EVEN AFTER TWO DAYS WITHOUT OPERATING THE STOVE.
- THE ASH PAN CAN BECOME VERY HOT. WEAR GLOVES TO PREVENT INJURY.
- NEVER BURN THE STOVE WITH THE ASH TRAP OPEN. THIS WOULD RESULT IN OVER FIRING THE STOVE. DAMAGE TO THE STOVE AND EVEN HOUSE FIRE MAY RESULT.

ATTENTION:

This wood heater needs periodic inspection and repair for proper operation. It is against federal regulations to operate this wood heater in a manner inconsistent with operating instructions in this manual.

Maintenance

Your wood stove is a high-efficiency stove and therefore requires little maintenance. It is important to perform a visual inspection of the stove every time it is emptied, to ensure that no parts have been damaged, in which case repairs must be performed immediately. Inspect and clean the chimney and connector pipe periodically for creosote build-up or obstructions.

AIR TUBES

The air tubes assembled in this unit are designed to provide an accurate mix of secondary air to ensure the highest efficiency. Any damage or deterioration of these tubes may reduce the efficiency of combustion. The air tubes are held in position by screws or snap pins. Locate these to either side of the tube and remove it to allow the tube to be removed and replaced.

SECONDARY AIR TUBES

The secondary air tubes must be cleaned with a wire brush. If debris remains in holes lightly tap with a wooden stick to remove.

GLASS

- Inspect and clean the glass regularly to detect any cracks. If you spot one, turn the stove off immediately. Do not abuse the glass door by striking or slamming shut. Do not use the stove if the glass is broken.
- If the glass on your stove breaks, replace only with the glass supplied from your heater dealer. Never substitute other materials for the glass.
- To replace the glass, remove the screws retaining the glass moldings inside the door. Remove the moldings and replace the damaged piece with a new one. Perform the procedure backward after replacing it. When replacing the glass, you should change the glass gasket to make sure you keep it sealed.
- Never wash the glass with a product that may scratch. Use a specialized product, available in the stores where wood stoves are sold. The glass should be washed only when cold.

PAINT

Only clean your stove with a dry soft cloth that will not harm the paint finish. If the paint becomes scratched or damaged, it is possible to give your wood stove a brand new look, by repainting it with a 1200° F heat resistant paint. For this purpose, simply scrub the surface to be repainted with fine sandpaper, clean it properly, and apply thin coats (2) of paint successively.

SMOKE AND CO MONITORS

Burning wood naturally produces smoke and carbon monoxide(CO) emissions. CO is a poisonous gas when exposed to elevated concentrations for extended periods. While the modern combustion systems in heaters drastically reduce the amount of CO emitted out the chimney, exposure to the gases in closed or confined areas can be dangerous. Make sure your stove gaskets and chimney joints are in good working order and sealing properly to ensure unintended exposure. It is recommended that you use both smoke and CO monitors in areas having the potential to generate CO.

BLOWER (IF EQUIPPED)

The blower needs to be removed and air-blown clean. Make sure the blades do not have build up.

FIREBRICK (IF EQUIPPED)

The firebrick should be cleaned and inspected as necessary. Replace any damaged or broken brick.

GASKETING

This unit's door uses a 3/4" diameter rope gasket. It is recommended that you change the door gasket (which makes your stove door air tight) once a year, in order to ensure good control over the combustion, maximum efficiency and security. To change the door gasket, simply remove the damaged one. Carefully clean the available gasket groove, apply a high temperature silicone sold for this purpose, and install the new gasket. You may light up your stove again approximately 24 hours after having completed this operation.

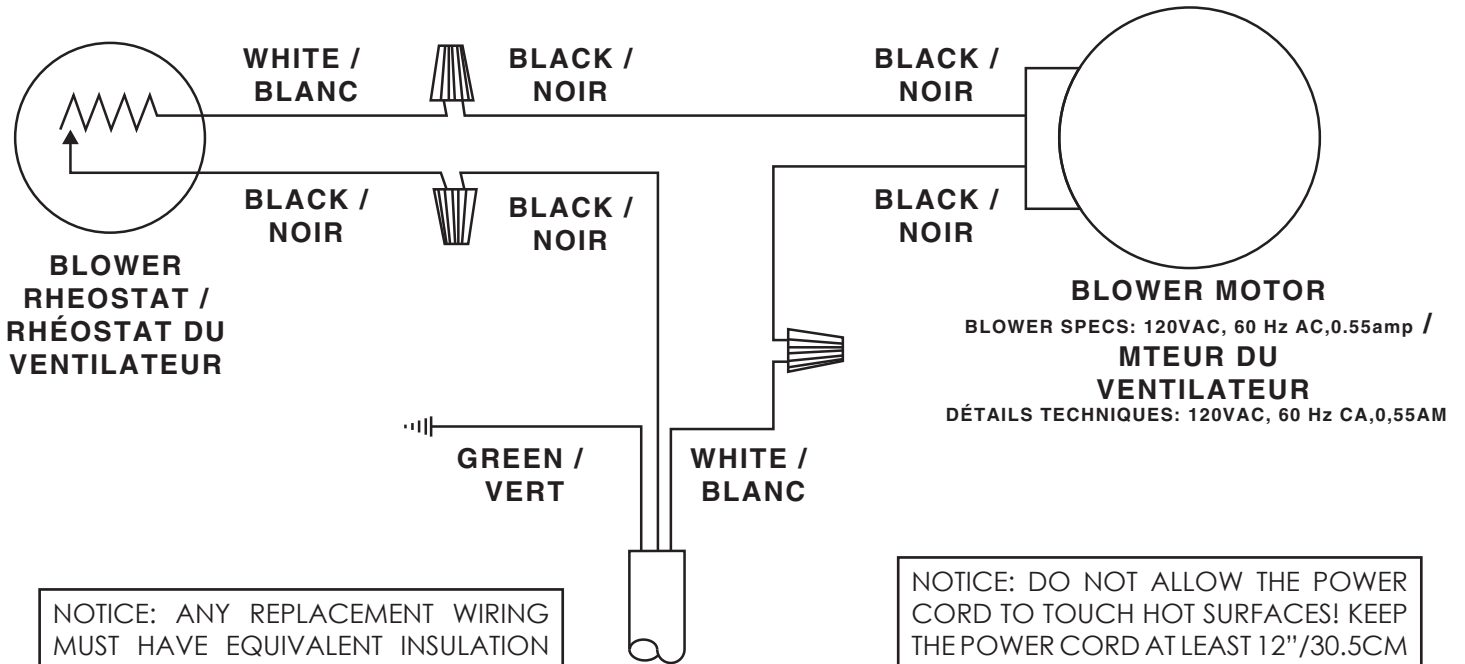
WARNING:

NEVER OPERATE THE STOVE WITHOUT A GASKET OR WITH A BROKEN ONE. DAMAGE TO THE STOVE OR EVEN HOUSE FIRE MAY RESULT.

Optional B36 Blower Wiring Diagram

DANGER: SHOCK HAZARD DISCONNECT POWER SOURCE BEFORE INSTALLATION AND WHENEVER SERVICING BLOWER ASSEMBLY.

CAUTION: MOVING PARTS CAN CAUSE INJURY. DO NOT OPERATE WITH COVER REMOVED.

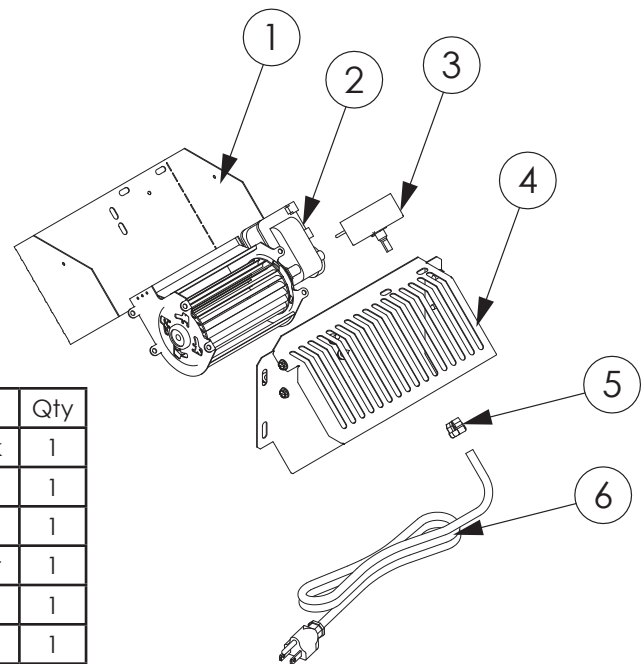
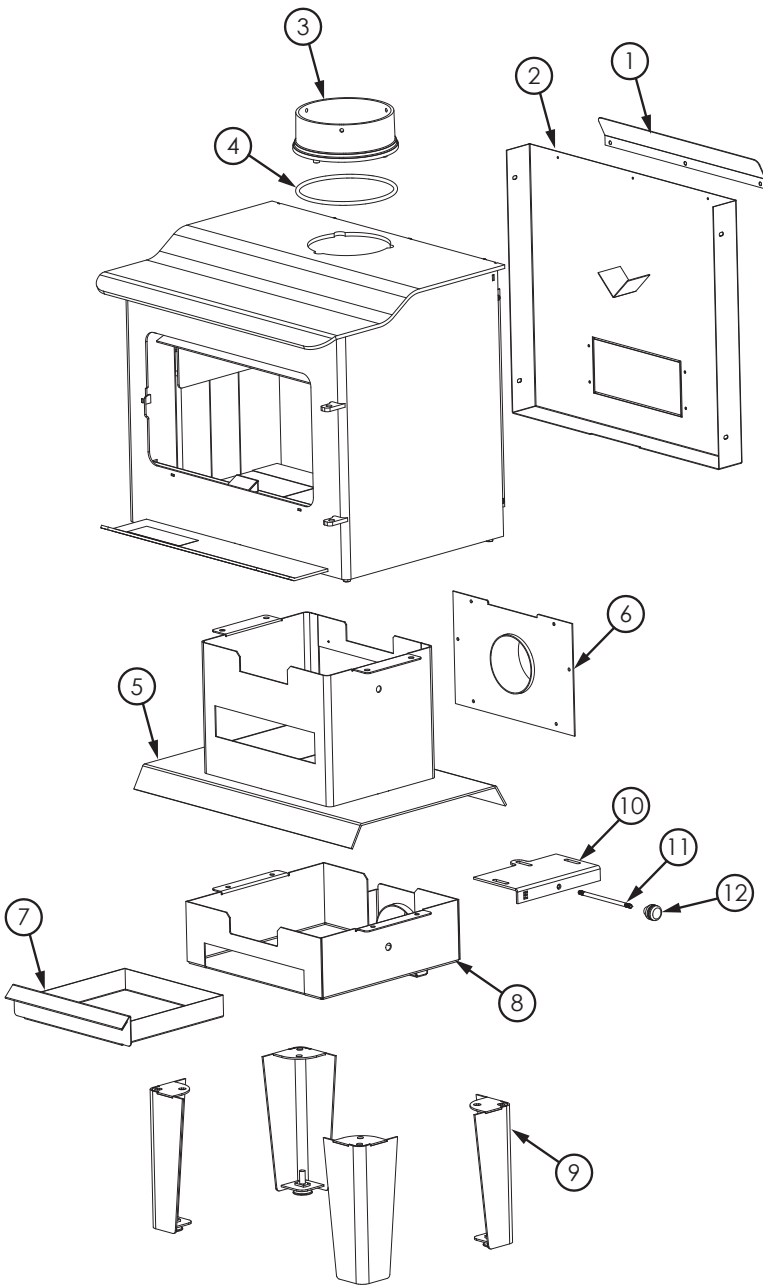


NOTICE: ANY REPLACEMENT WIRING MUST HAVE EQUIVALENT INSULATION AND TEMPERATURE RATING (105° C).

NOTICE: DO NOT ALLOW THE POWER CORD TO TOUCH HOT SURFACES! KEEP THE POWER CORD AT LEAST 12"/30.5CM FROM THE STOVE OR PIPE SURFACES.

Replacement Parts

Key	Part No.	Description	Qty
1	29139	Air Deflector	1
2	891824	Heatshield Weldment	1
3	40292A	6" Flue Collar	1
4	88042	1/4" Rope Gasket	1
5	610934	Pedestal Weldment (VG1120-BP)	1
6	610918	Access Panel (VG1120-BP)	1
7	29055	Ashpan	1
8	610944	Ashpan Housing Weldment	1
9	610883	Leg Weldment (VG1120-BL)	4
10	610928	Damper Weldment (VG1120-BL)	1
11	86709	Damper Rod	1
12	893162	Wooden Knob	1

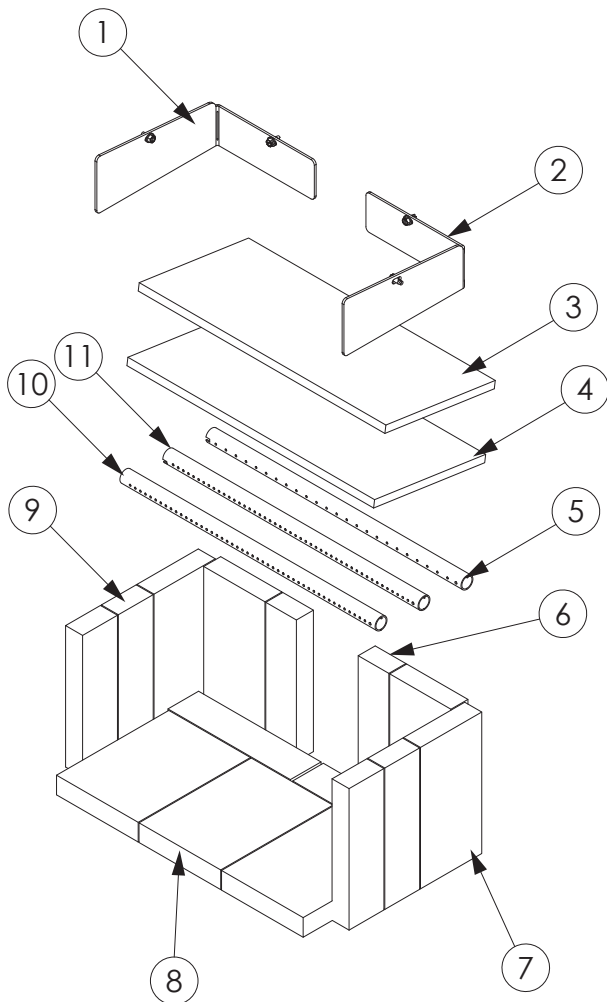
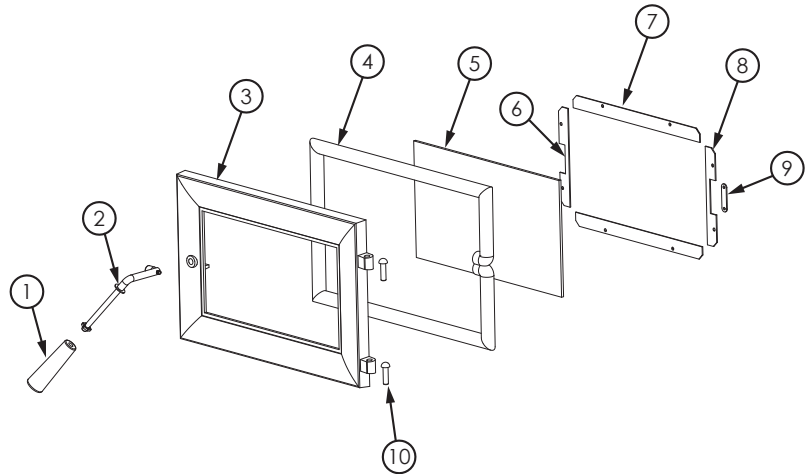


Key	Part No.	Description	Qty
1	25089	Blower Housing Back	1
2	80442	80 Cfm Blower	1
3	80090	Rheostat W/Knob	1
4	25090	Blower Housing Front	1
5	80109	Strain Relief	1
6	80232	Supply Cord	1

In order to maintain warranty, components must be replaced using original manufacturers parts purchased through your dealer or directly from the appliance manufacturer. Use of third party components will void the warranty.

Replacement Parts

Key	Part No.	Description	Qty.
1	893156	Wooden Thru Handle	1
2	893071	Door Handle	1
3	40881	Medium Sq Cast Door	1
4	88324	3/4 Round Rope Gasket-Blk	1
5	893154	Glass	1
6	29211	Left Side Glass Clamp	1
7	29210	Glass Clamp, Bottom	2
8	29231	Right Side Glass Clamp	1
9	29230	Gasket Clamp	1
10	892294	Hinge Pin	2



Key	Part No.	Description	Qty.
1	29039	Brick Retainer	1
2	29040	Brick Retainer	1
3	88315	Kao Wool Blanket	1
4	88147	Board, Ceramic Fiber	1
5	86904	Secondary Tube	1
6	891414	Half Firebrick	4
7	89066	Firebrick (4-1/2 X 9)	4
8	891095	Firebrick (6 X 8-1/4)	3
9	23783	Firebrick (1-1/4 X 2-9/16 X 9)	4
10	86903	Secondary Tube	1
11	86905	Secondary Tube	1

In order to maintain warranty, components must be replaced using original manufacturers parts purchased through your dealer or directly from the appliance manufacturer. Use of third party components will void the warranty.

Service Record

It is recommended that your heating system is serviced regularly and that the appropriate Service Interval Record is completed.

SERVICE PROVIDER

Before completing the appropriate Service Record below, please ensure you have carried out the service as described in the manufacturer's instructions. Always use the manufacturer's specified spare part when replacement is necessary.

Service 01	Date: _____
Engineer Name: _____	
License No.: _____	
Company: _____	
Telephone No.: _____	
Stove Inspected: <input type="checkbox"/>	Chimney Swept: <input type="checkbox"/>
Items Replaced: _____	

Service 02	Date: _____
Engineer Name: _____	
License No.: _____	
Company: _____	
Telephone No.: _____	
Stove Inspected: <input type="checkbox"/>	Chimney Swept: <input type="checkbox"/>
Items Replaced: _____	

Service 03	Date: _____
Engineer Name: _____	
License No.: _____	
Company: _____	
Telephone No.: _____	
Stove Inspected: <input type="checkbox"/>	Chimney Swept: <input type="checkbox"/>
Items Replaced: _____	

Service 04	Date: _____
Engineer Name: _____	
License No.: _____	
Company: _____	
Telephone No.: _____	
Stove Inspected: <input type="checkbox"/>	Chimney Swept: <input type="checkbox"/>
Items Replaced: _____	

Service 05	Date: _____
Engineer Name: _____	
License No.: _____	
Company: _____	
Telephone No.: _____	
Stove Inspected: <input type="checkbox"/>	Chimney Swept: <input type="checkbox"/>
Items Replaced: _____	

Service 06	Date: _____
Engineer Name: _____	
License No.: _____	
Company: _____	
Telephone No.: _____	
Stove Inspected: <input type="checkbox"/>	Chimney Swept: <input type="checkbox"/>
Items Replaced: _____	

Service 07	Date: _____
Engineer Name: _____	
License No.: _____	
Company: _____	
Telephone No.: _____	
Stove Inspected: <input type="checkbox"/>	Chimney Swept: <input type="checkbox"/>
Items Replaced: _____	

Service 08	Date: _____
Engineer Name: _____	
License No.: _____	
Company: _____	
Telephone No.: _____	
Stove Inspected: <input type="checkbox"/>	Chimney Swept: <input type="checkbox"/>
Items Replaced: _____	

HOW TO ORDER REPAIR PARTS / COMMANDE DE PIÈCES DE RECHANGE

THIS MANUAL WILL HELP TO OBTAIN EFFICIENT, DEPENDABLE SERVICE FROM THE HEATER, AND WILL ENABLE THE CORRECT REPAIR PARTS TO BE ORDERED.

KEEP IN A SAFE PLACE FOR FUTURE REFERENCE.

WHEN WRITING, ALWAYS GIVE THE FULL MODEL NUMBER WHICH IS ON THE NAMEPLATE ATTACHED TO THE BACK OF THE HEATER.

WHEN ORDERING REPAIR PARTS, ALWAYS GIVE THE FOLLOWING INFORMATION AS SHOWN IN THIS LIST /

CE GUIDE VOUS AIDERA À OBTENIR UN SERVICE EFFICACE ET FIABLE DE L'APPAREIL DE CHAUFFAGE ET VOUS PERMETTRA DE COMMANDER CORRECTEMENT DES PIÈCES DE RECHANGE.

VEUILLEZ CONSERVER CE GUIDE DANS UN ENDROIT SÛR À DES FINS DE RÉFÉRENCE.

LORSQUE VOUS NOUS ÉCRIVEZ, VEUILLEZ INDIQUER LE NUMÉRO COMPLET DU MODÈLE QUI FIGURE SUR LA PLAQUE SIGNALÉTIQUE DE L'APPAREIL DE CHAUFFAGE.

LORSQUE VOUS COMMANDEZ DES PIÈCES DE RECHANGE, VEUILLEZ TOUJOURS FOURNIR LES RENSEIGNEMENTS SUIVANTS, TELS QUE MONTRÉS DANS CETTE NOMENCLATURE:

1. The PART NUMBER / LE NUMÉRO DE PIÈCE _____

2. The PART DESCRIPTION / UNE DESCRIPTION DE LA PIÈCE _____

3. The MODEL NUMBER / LE NUMÉRO DE MODÈLE _____

4. The SERIAL NUMBER / LE NUMÉRO DE SÉRIE _____



United States Stove Company
PO Box 151, 227 Industrial Park Rd.,
South Pittsburg, TN 37380
PH: (800) 750-2723
www.usstove.com

Enregistrement De Service

Il est recommandé que votre système de chauffage est desservi régulièrement et que le Service Interval enregistrement approprié est terminée.

FURNISSEUR DE SERVICES

Avant de terminer l'enregistrement de service approprié ci-dessous, s'il vous plaît vous assurer que vous avez effectué le service tel que décrit dans le les instructions du fabricant. Toujours utiliser pièce de rechange indiquée par le fabricant lors de remplacement est nécessaire.

Service de 01
Date: _____
Nom de l'ingénieur: _____
N° de licence: _____
Compagnie: _____
N° de téléphone: _____
Poêle inspecté: Cheminée balayée:
Articles Remplacé: _____

Service de 02
Date: _____
Nom de l'ingénieur: _____
N° de licence: _____
Compagnie: _____
N° de téléphone: _____
Poêle inspecté: Cheminée balayée:
Articles Remplacé: _____

Service de 03
Date: _____
Nom de l'ingénieur: _____
N° de licence: _____
Compagnie: _____
N° de téléphone: _____
Poêle inspecté: Cheminée balayée:
Articles Remplacé: _____

Service de 04
Date: _____
Nom de l'ingénieur: _____
N° de licence: _____
Compagnie: _____
N° de téléphone: _____
Poêle inspecté: Cheminée balayée:
Articles Remplacé: _____

Service de 05
Date: _____
Nom de l'ingénieur: _____
N° de licence: _____
Compagnie: _____
N° de téléphone: _____
Poêle inspecté: Cheminée balayée:
Articles Remplacé: _____

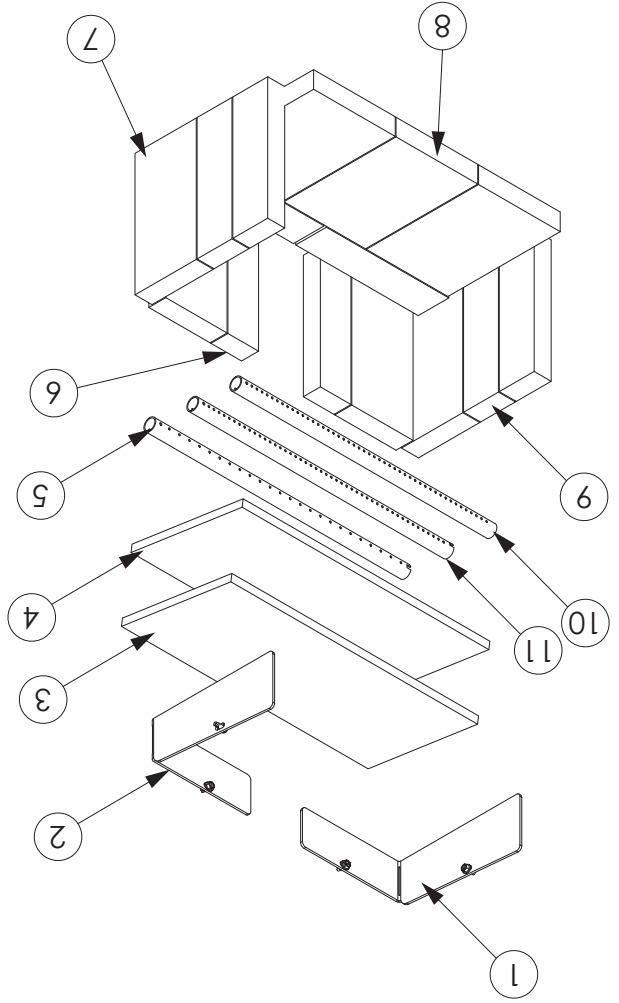
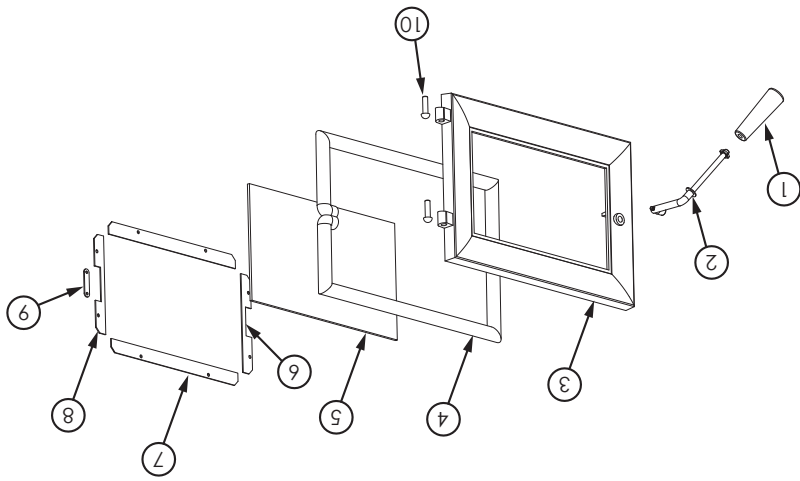
Service de 06
Date: _____
Nom de l'ingénieur: _____
N° de licence: _____
Compagnie: _____
N° de téléphone: _____
Poêle inspecté: Cheminée balayée:
Articles Remplacé: _____

Service de 07
Date: _____
Nom de l'ingénieur: _____
N° de licence: _____
Compagnie: _____
N° de téléphone: _____
Poêle inspecté: Cheminée balayée:
Articles Remplacé: _____

Service de 08
Date: _____
Nom de l'ingénieur: _____
N° de licence: _____
Compagnie: _____
N° de téléphone: _____
Poêle inspecté: Cheminée balayée:
Articles Remplacé: _____

Pièces De Remplacement

Key	Part No.	Description	Qty.
1	893156	Poignée en bois	1
2	893071	Poignée de porte	1
3	40881	Porte coulée moyenne	1
4	88324	Joint de corde ronde 3/4	1
5	893154	Verre	1
6	29211	Pince de verre côté gauche	1
7	29210	Pince à verre, en bas	2
8	29231	Pince à verre côté droit	1
9	29230	Joint de serrage	1
10	892294	Axe de charnière	2

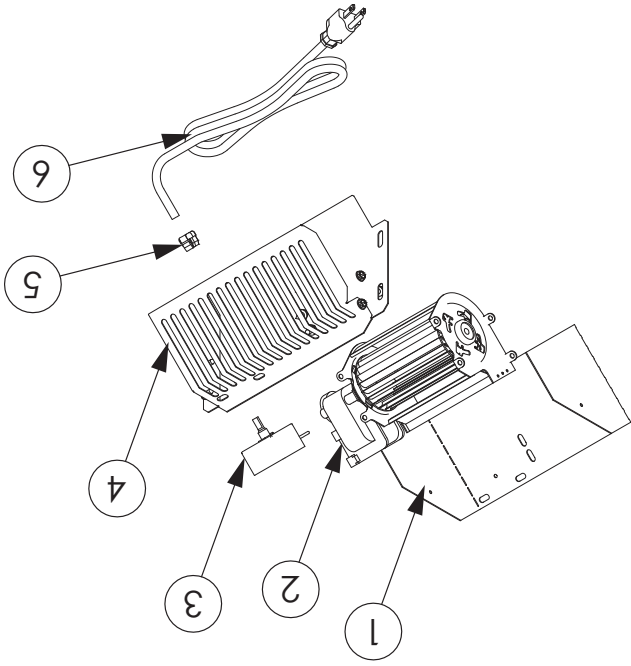
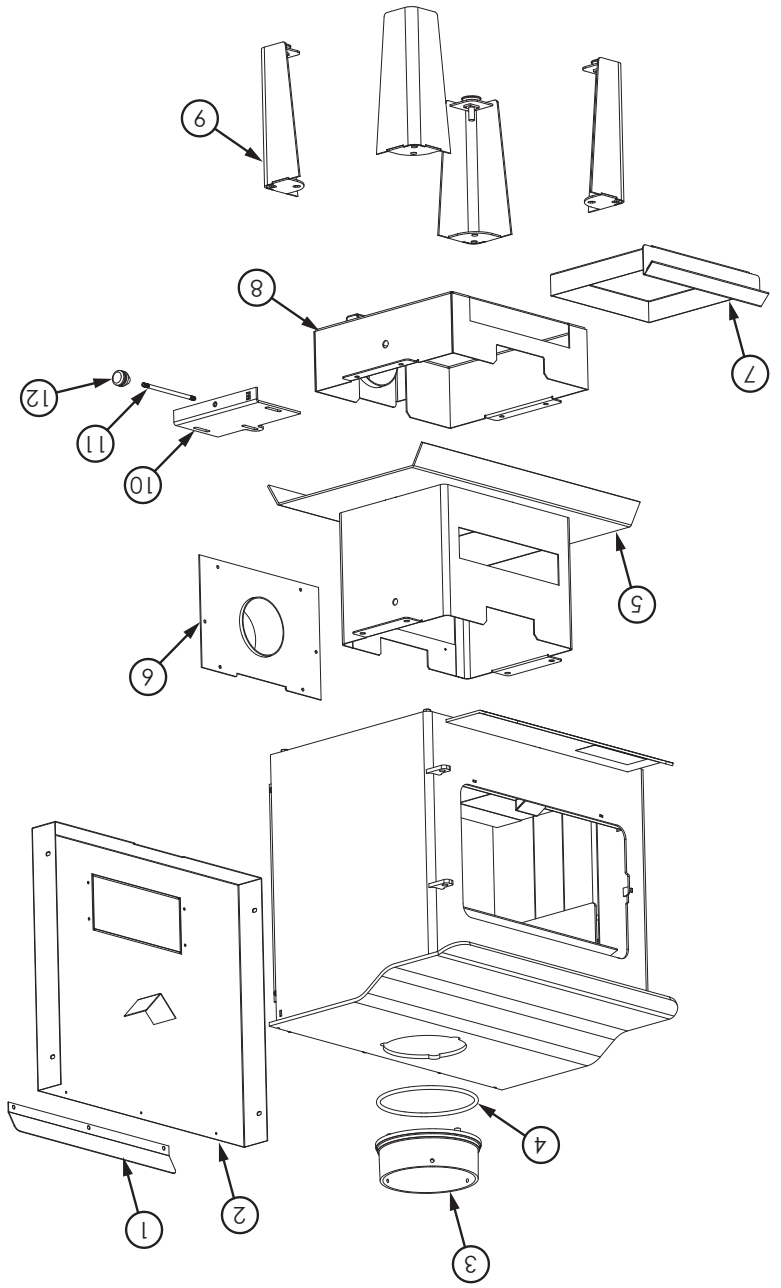


No De Pièce	Description	Qté
1	Rétenue de brique	1
2	Rétenue de brique	1
3	Couverture en laine Kao	1
4	Conseil, fibre de céramique	1
5	Tube secondaire	1
6	Demi brique réfractaire	4
7	Brique réfractaire (4-1 / 2 x 9)	4
8	Brique réfractaire (6 x 8-1 / 4)	3
9	Brique réfractaire (1-1 / 4 x 2-9 / 16 x 9)	4
10	Tube secondaire	1
11	Tube secondaire	1

Pour conserver la couverture de la garantie, les composants doivent être remplacés par des pièces d'origine du fabricant achetés auprès de votre distributeur ou directement auprès du fabricant de l'appareil. L'utilisation de composants de tiers annule la garantie.

Pièces De Remplacement

Clé	No De Pièce	Description
1	29139	Défecteur d'air
2	891824	Soudure de bouclier thermique
3	40292A	Collier de cheminée de 6 po
4	88042	Joint de corde 1/4"
5	610934	Soudure sur piédestal (VG1120-BP)
6	610918	Panneau d'accès (VG1120-BP)
7	29055	Cendrier
8	610944	Soudure de logement en cendrier
9	610883	Soudure de jambe (VG1120-BL)
10	610928	Amortisseur Soudé (VG1120-BL)
11	86709	Tige amortisseur
12	893162	Bouton en bois



Clé	No De Pièce	Description
1	25089	Carter de soufflante
2	80442	Souffleur 80 Cfm
3	80090	Rhéostat W / Bouton
4	25090	Carter de soufflante avant
5	80109	Décharge de traction
6	80232	Cordon d'alimentation

Pour conserver la couverture de la garantie, les composants doivent être remplacés par des pièces d'origine du fabricant achetées auprès de votre distributeur ou directement auprès du fabricant de l'appareil. L'utilisation de composants de tiers annule la garantie.

Entretien

Votre poêle à bois est un poêle à haute efficacité et nécessite donc peu d'entretien. Il est important d'effectuer une inspection visuelle du poêle chaque fois que cela est nécessaire afin de s'assurer qu'aucune pièce n'a été endommagée. Dans ce cas, les réparations doivent être effectuées immédiatement. Inspectez et nettoyez périodiquement la cheminée et le raccord de tuyau pour détecter toute accumulation de créosote ou toute obstruction.

VITRES

- Inspectez et nettoyez le verre régulièrement afin de détecter toute fissure. Si vous voyez une fissure, éteignez le poêle sur-le-champ. N'abusez jamais de la porte en verre en frappant sur celle-ci ou en la fermant fortement. N'utilisez pas le poêle si le verre est brisé.
- Si le verre du poêle casse, remplacez-le uniquement par du verre fourni par le détaillant de l'appareil de chauffage. Ne substituez jamais d'autres matériaux à votre verre.
- Pour remplacer le verre, enlevez les vis retenant les attaches de verre à l'intérieur de la porte. Retirez les attaches et remplacez la pièce endommagée par une neuve. Effectuez la procédure à l'inverse après le remplacement. Lors du remplacement du verre, vous devriez aussi changer le joint d'étanchéité du verre pour vous assurer que le verre est bien étanche.
- Ne lavez jamais le verre avec des produits risquant de l'égratigner. Utilisez un produit spécialisé, offert dans les magasins où les poêles à bois sont vendus. Le verre ne doit être lavé que lorsqu'il est froid.

JOINT D'ÉTANCHEITÉ

Il est recommandé de remplacer le joint d'étanchéité (qui assure l'étanchéité du poêle) une fois par an, afin d'assurer un bon contrôle de la combustion ainsi qu'un maximum d'efficacité et de sécurité. Pour remplacer le joint de porte, il suffit d'ôter le joint endommagé. Nettoyez soigneusement la rainure du joint, appliquez de la pâte à joint d'étanchéité vendue à cette fin et installez le nouveau joint d'étanchéité. Vous pouvez faire fonctionner le poêle environ 24 heures après avoir remplacé le joint. La porte de ce poêle utilise un joint de corde de 3/4 po de diamètre.

PEINTURE

N'oubliez de nettoyer le poêle uniquement avec un lingé doux et sec qui n'endommage pas le fini de la peinture du poêle. Le poêle est doté de deux types de revêtement utilisés pour la finition: de l'émail de porcelaine et de la peinture résistante aux températures élevées.

CONDUITS D'AIR

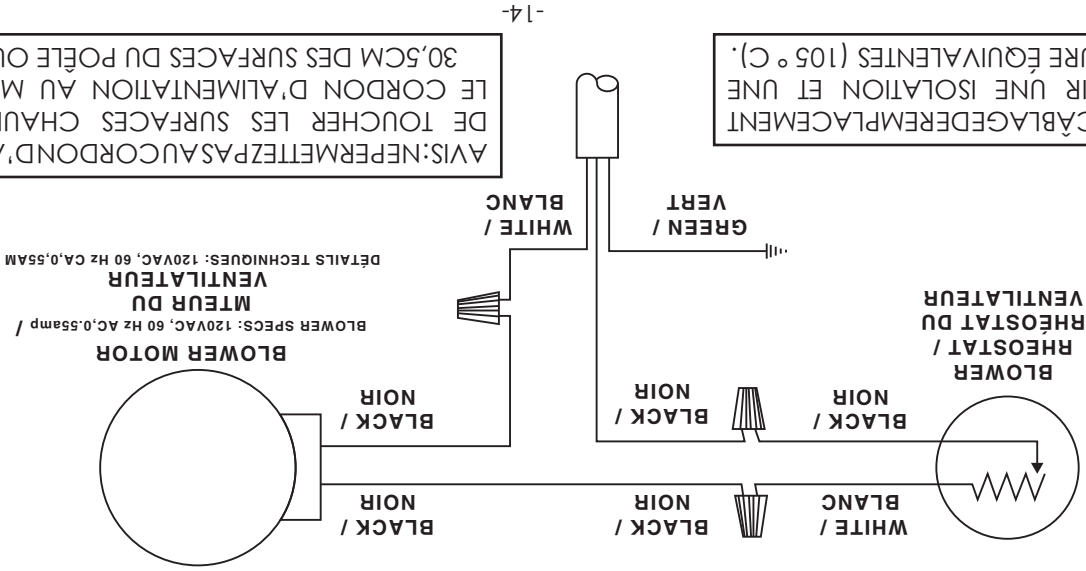
Les conduits d'air assemblés dans cette unité sont conçus pour offrir un mélange précis d'air secondaire et assurer une plus grande efficacité. Tout dommage ou détérioration de ces conduits peut réduire l'efficacité de la combustion. Les conduits d'air sont maintenus en position par des vis ou par des goupilles de blocage. Localisez et enlevez-les des deux côtés du conduit pour le retirer et le remettre en place.

AVERTISSEMENT: Ne faites jamais fonctionner l'appareil sans joint d'étanchéité ou avec un joint endommagé. Des dommages à l'appareil voire un incendie pourraient en découler.

Schéma de câblage optionnel du ventilateur B36

DANGER: RISQUE D'ÉLECTROCUTION, DÉBRANCHER LA SOURCE D'ALIMENTATION AVANT L'INSTALLATION ET LORS DE L'ENTRÉTIEN DE L'ASSEMBLAGE DE LA SOUFFLEUSE.

ATTENTION: LES PIÈCES EN MOUVEMENT PEUVENT CAUSER BLESSURE. NE PAS UTILISER AVEC LE COUVERCLE ENLEVÉ.



CRÉOSOTE – FORMATION ET BESOIN DE L'ENLEVER

Lorsque le bois brûle lentement, il produit du goudron et d'autres vapeurs organiques qui se mélangent à l'humidité rejetée pour former de la créosote. Les vapeurs de créosote se condensent dans un conduit de cheminée relativement frais de feu à combustion lente. Ainsi, les résidus de créosote s'accumulent sur le bois. Lorsque l'incendie est relativement frais de feu à combustion lente, le conduit de raccordement de la cheminée doit être inspecté au moins une fois tous les deux mois au cours de la saison de chauffage afin de déterminer si une accumulation de créosote s'est produite. Si une accumulation de créosote s'est produite (3 mm ou plus), elle devrait être enlevée afin de réduire les risques de feu de cheminée. Nous recommandons vivement d'installer un thermomètre magnétique sur le tuyau d'évacuation des fumées, à environ 46 cm (18 po) au-dessus du poêle. Ce thermomètre vous indiquera la température de ces gaz devrait se situer dans la fourchette de 135 à 260 °C (entre 275 °F et 500 °F). En deçà de ces températures, la formation de créosote est favorisée. Au-delà de 260 °C (500 °F), la chaleur se perd en trop grande quantité dans l'atmosphère.

POUR ÉVITER L'ACCUMULATION DE CRÉOSOTE

- Faites toujours brûler du bois sec. Cela permet une combustion propre et des températures de cheminée supérieures et de ce fait, moins de dépôts de créosote.
- Laissez le régulateur d'air ouvert pendant 5 minutes toutes les fois que vous chargez le poêle pour qu'il retourne à sa température normale de fonctionnement. La combustion secondaire ne peut se produire que si le foyer est assez chaud.
- Vérifiez la présence de dépôts de créosote tous les deux mois et faites ramoner la cheminée au moins une fois par an.
- Si un feu de cheminée ou de créosote se produit, fermez immédiatement tous les registres. Attendez que le feu s'éteigne et que l'appareil de chauffage se refroidisse, puis vérifiez si la cheminée a subi des dommages. Si aucun dommage n'est constaté, nettoyez la cheminée pour vous assurer qu'il n'y a plus de dépôts de créosote dans la cheminée.

CONSEILS DE FONCTIONNEMENT POUR UNE COMBUSTION DE QUALITÉ, EFFICACE ET PROPRE

- Mettez l'appareil à chauffer et établissez un bon lit de charbon avant de vous ajuster à un taux de combustion faible (cela peut prendre 30 minutes ou plus selon votre bois)
- Utilisez de plus petits morceaux de bois pendant l'allumage et un taux de combustion élevé pour augmenter la température du poêle
- Pensez à l'environnement et ne brûlez que du bois séché
- Allumez de feux petits et intenses, au lieu de grands feux lents, lorsque possible.
- Apprenez les caractéristiques de fonctionnement de votre appareil pour obtenir une performance optimale
- Brûler du bois humide a un impact négatif sur l'efficacité de votre poêle et mène à une accélération de l'accumulation de créosote dans la cheminée

ENLEVEMENT ET DISPOSITION DES CENDRES

Lorsque les cendres atteignent 8 à 10 cm (3 à 4 po) d'épaisseur dans votre boîte à feu ou bac à cendres, et que le feu est éteint et froid, retirez les cendres en excès. Laissez un lit de cendres d'environ 3 cm (1 po) d'épaisseur sur le fond de la boîte à feu pour aider à conserver une couche de charbon. Les cendres doivent être placées dans un récipient en métal recouvert d'un couvercle bien ajusté. Le récipient de cendres fermé doit être placé sur un plancher incandescent ou sur le sol, loin des matériaux combustibles, en attendant sa mise au rebut finale. Les cendres doivent être conservées dans le récipient fermé jusqu'à ce qu'elles aient pu complètement refroidir.

MISES EN GARDE:
LES CENDRES PEUVENT CONTENIR DES TISSONS CHAUDS MÊME APRÈS DEUX JOURS D'UTILISATION DU POÊLE.

FORMATION DE SUIE ET BESOIN D'ENLEVER

Lorsque le bois est brûlé, les produits de combustion se combinent à l'humidité pour former un résidu de suie qui s'accumule sur la gaine. Lorsque elle s'enflamme, cette suie crée un feu extrêmement chaud. Le raccord de cheminée et la cheminée doivent être inspectés au moins une fois tous les deux mois pendant la saison de chauffage afin de déterminer si une accumulation de suie s'est produite. Si de la suie s'est accumulée, éliminez-la pour réduire le risque d'incendie dans la cheminée.

DÉTECTEURS DE FUMÉE ET DE CO

La combustion du bois produit naturellement de la fumée et des émissions de monoxyde de carbone (CO). Le CO est un gaz toxique lorsqu'il est exposé à des concentrations élevées pendant de longues périodes. Bien que les systèmes de combustion modernes risquent d'être réduits à la quantité de monoxyde de carbone, ils peuvent être dangereux. Assurez-vous que les joints et les joints de la cheminée sont en bon état et scellez correctement pour assurer une exposition involontaire. Il est recommandé d'utiliser le CO et le CO dans le CO.

Une fois le lit de braises bien établi, il est temps de remettre du bois dans votre poêle. Pour ce faire, ouvrez les régulateurs d'air au maximum pendant quelques secondes avant d'ouvrir les portes du poêle. Ouvrez très lentement la porte, en commençant par l'entrebâiller de 3 à 5 cm pendant 5 à 10 secondes, pour ensuite l'ouvrir complètement afin d'augmenter l'entrée d'air et, ainsi, évacuer efficacement la fumée qui stagne dans le poêle en combustion lente. Par la suite, ramenez les braises vers l'avant et rechargez l'appareil. Pour tirer le maximum de votre poêle à bois, nous vous recommandons de l'utiliser en y mettant une charge de bois équivalente à la hauteur des briques réfractaires. N'empilez pas de bois plus haut que la brique réfractaire. Il est important de prendre note que la combustion du bois consomme l'oxygène ambiant de la pièce. En cas de pression négative, il est bon de laisser entrer de l'air frais dans la pièce en ouvrant une légèrement une fenêtre ou en installant un système d'admission d'air frais sur un mur extérieur.

RECHARGEMENT

La quantité visible de fumée produite peut être une méthode efficace pour déterminer comment le processus de combustion s'échappe de votre poêle. Apprenez comment ajuster les réglages d'air de votre unité afin de produire la plus petite quantité de fumée visible. Le bois incorrectement séché a une teneur élevée en humidité et produira un excès de fumée visible et un mauvais brûlage.

FUMÉE VISIBLE

L'efficacité peut être basée sur le pouvoir calorifique inférieur (PCI) ou le pouvoir calorifique supérieur (PCS) du combustible. Le pouvoir calorifique inférieur, c'est lorsque l'eau quitte le processus de combustion sous forme de vapeur, c'est lorsque le bois brûle dans le poêle sous forme de vapeur. Le pouvoir calorifique supérieur, c'est lorsque l'eau quitte le processus de combustion sous forme condensée. Dans le cas des poêles à bois, ceci voudrait dire que les gaz d'évacuation sont à la température de la pièce en quittant le système, et donc, les calculs utilisant cette valeur de chaleur tiennent compte de l'élevation de la chaleur dans la cheminée comme une perte d'énergie. Ainsi, l'efficacité calculée en utilisant le pouvoir calorifique inférieur du bois sera plus élevée que celle calculée en utilisant le pouvoir calorifique supérieur. Aux États-Unis, toutes les efficacités des poêles à bois devraient être calculées par le pouvoir calorifique supérieur. La meilleure façon d'atteindre des efficacités optimales est d'apprendre les caractéristiques de brûlage de votre appareil et du bois bien séché. Des taux de combustion plus élevés ne sont pas toujours les meilleurs taux de combustion; après qu'un bon feu est établi, un taux de combustion plus bas peut être la meilleure option pour un chauffage efficace. Un taux de combustion plus bas ralentit la sortie du flux de chaleur utilisable hors de la maison par la cheminée, et il consomme également moins de bois.

EFFICACITÉ

<p>AVERTISSEMENTS</p> <ul style="list-style-type: none"> NE PROVOQUEZ JAMAIS UNE COMBUSTION EXCESSIVE DU POÊLE. UNE COMBUSTION EXCESSIVE SE PRODUIT LORSQU'UNE PARTIE DU POÊLE COMMENCE À DEVENIR ROUGE. AJUSTEZ DE NOUVEAU LE CONTRÔLE DE L'ADMISSION DE L'AIR À UN RÉGLAGE PLUS BAS. L'INSTALLATION D'UN PANIER OU D'UNE GRILLE À BÛCHES EST DÉCONSEILLÉE DANS VOTRE POÊLE À BOIS. LE FEU DOIT ÊTRE FAIT DIRECTEMENT SUR LA BRIQUE RÉFRACTAIRE. NE DÉPOSEZ JAMAIS DE BOIS SUR LA PAROI DE BRIQUE RÉFRACTAIRE DE LA CHAMBRE DE COMBUSTION. TENTER D'ATTEINDRE UN TAUX DE PUISSANCE CALORIFIQUE DÉPASSANT LES SPÉCIFICATIONS DE CONCEPTION DU CHAUFFAGE PEUT LUI CAUSER DES DOMMAGES PERMANENTS, AINSI QU'AU CATALYSEUR DE POSTCOMBUSTION S'IL EST PRÉSENT.

La combustion contrôlée est la technique de chauffage au bois la plus efficace car elle vous permet de sélectionner le type de combustion que vous voulez pour chaque situation donnée. Le bois brûle lentement lorsque le régulateur d'admission d'air du poêle à bois est ajusté pour réduire l'alimentation en oxygène de la chambre de combustion à un niveau minimum. D'un autre côté, le bois brûle rapidement si le régulateur d'air est ajusté de manière à permettre de plus grandes quantités d'oxygène dans la chambre à combustion. Reportez-vous à la première table de paramètres de l'air pour le réglage de fonctionnement de l'amortisseur. Les conditions de fonctionnement réelles peuvent procurer des résultats différents de ceux obtenus au cours des essais selon l'espèce de bois utilisé, sa teneur en humidité, la grosseur et la densité des morceaux de bois, la longueur de la cheminée, l'altitude et la température extérieure.

CHAUFFAGE

Régulateur d'air primaire (L'amortisseur de glissière est situé au centre du poêle sous la plaque de foyer) (Réglage du registre: tirer sur le registre augmente l'air)	Taux de combustion	Ajuster le registre de complètement fermé	Temps de combustion	Toutes les minutes	Haute
	Faible	Entièrement fermé	@ 30 minutes	Faible	Moyen
			@ 30 minutes	Faible	1-1 / 8 po
Réglage de la vitesse du ventilateur électrique (variable) (Le ventilateur est en marche quand il est en marche, tournez dans le sens des aiguilles d'une montre jusqu'à l'arrêt pour "LOW")			Vitesse du ventilateur		

La méthode descendante de la construction du feu est recommandée pour cet appareil. Après vous être assuré que les commandes d'admission d'air du poêle sont complètement ouvertes (complètement tirées vers vous), placez les plus gros morceaux de bois au fond, disposés en parallèle et proches les uns des autres. Les plus petites pièces sont placées dans une deuxième couche, en travers de la première. Une troisième couche de morceaux plus petits est posée en travers de la seconde, cette fois avec quelques espaces entre eux. Ensuite, une quatrième couche de feuilles de papier journal en vrac, de petit bois d'allumage et torsadées vient en tête de pile. Avant d'allumer le papier et le bois, il est recommandé de réchauffer la cheminée. Ceci est fait afin d'éviter les problèmes de courants d'air souvent dus à la pression négative dans la maison. Si tel est le cas, ouvrez une fenêtre légèrement près du poêle et tordez ensemble quelques feuilles de papier journal en une torche. Allumez cette torche à papier et maintenez-la aussi près que possible de la bouche du tuyau à l'intérieur de la chambre de combustion pour réchauffer la cheminée. Une fois que le mouvement ascendant est lancé, vous êtes prêt à allumer le poêle en allumant le papier et le bois allumé à l'intérieur de la chambre de combustion. Lorsque vous avez obtenu un bon lit de braises chaudes, nous vous recommandons les procédures de brûlage suivantes:

ALLUMAGE

La peinture fraîche de votre poêle doit être traitée pour en préserver la qualité. Une fois la charge en combustible dûment allumée, ne faites brûler que de petits feux pendant les premières heures d'utilisation de votre poêle. N'ouvrez jamais le régulateur d'air plus que nécessaire pour obtenir une vitesse de combustion moyenne. Assurez-vous qu'il y ait une circulation d'air suffisante lorsque vous traitez la peinture du poêle. Des odeurs peuvent être senties au cours des 3 ou 4 premiers feux. N'allumez jamais votre poêle à l'extérieur. Vous ne serez pas en mesure de voir s'il surchauffe.

LES PREMIERS FEUX

MISE EN GARDE: Ne modifiez jamais le registre à glissières ou la gamme d'ajustement pour augmenter la combustion et ce, pour toute raison. Cela pourrait entraîner un endommagement à l'appareil de chauffage et annuler la garantie.

Ce chauffage au bois a un taux de combustion minimum réglé à la fabrication, et qui ne peut être modifié. La modification de ce réglage ou une utilisation autre de ce chauffage au bois qui ne respecterait pas les directives du présent manuel contrevient aux réglementations fédérales.

AVERTISSEMENT DE FRAUDE

créosote dans votre cheminée et, par le fait même, un incendie de cheminée.

Si le bois émet des sifflements, ou si de l'eau ou de la vapeur s'échappent de ses extrémités, il est trempé ou fraîchement coupé. Par conséquent, ne l'utilisez pas dans votre poêle. Cela pourrait entraîner l'accumulation d'importantes quantités de

est encore trop humide.

Tirez sur le régulateur d'air pour le garder en position ouverte complète et refermez la porte. Si la pièce de bois s'allume en 90 secondes ou moins après l'avoir déposée dans le poêle, votre bois est suffisamment sec. Dans le cas contraire, votre bois à la porte sur le lit de cendres rougeoyantes.

ESSAI DE VOTRE BOIS

Lorsque le poêle est bien réchauffé, placez-y un morceau de bois fendu d'environ 13 cm (5 po) de diamètre parallèlement à la porte sur le lit de cendres rougeoyantes.

Le petit bois brûlera plus rapidement. Tous les bûches de 15 cm (6 po) de diamètre ou plus devraient donc fendues. Le bois ne doit jamais être cordé directement sur le sol. L'air doit pouvoir circuler à travers les bûches d'une corde. Un espace libre de 60 à 120 cm (24 à 48 po) doit être laissé entre les rangées de bûches, lesquelles on placera dans un endroit bien ensoleillé. La couche de bois du dessus d'une corde doit être protégée contre les éléments. Les côtés n'ont pas besoin d'être recouverts.

- la combustion incomplète des bûches.

- les vitres noircies,

- la faible production d'énergie,

- l'accumulation de créosote jusqu'à causer un incendie,

- les problèmes d'allumage,

conditions. Parmi ces problèmes, notons:

problèmes liés à l'utilisation des poêles à bois trouvent leur origine dans un bois trop humide ou qui a séché dans de piètres le bois pourrait même pourrir au lieu de sécher. Nous ne saurions trop insister sur ce point. En effet, la vaste majorité des a été coupé depuis plus d'un an, il n'est peut-être pas encore assez sec s'il a été mal entreposé. Dans les pires conditions, sorte que sa teneur en humidité représente tout au plus 20% du poids total de la bûche. Rappelez-vous que même si le bois II EST TRÈS IMPORTANT de n'utiliser que du BOIS SEC dans votre poêle à bois. Le bois doit avoir séché pendant 9 à 15 mois, de

Instructions D'utilisation Du Bois

UTILISATION DU BOIS

Votre appareil de chauffage a été conçu pour brûler du bois uniquement. Aucun autre matériau ne doit être brûlé. Les déchets et autres matériaux inflammables ne doivent pas être brûlés dans votre poêle. Tout type de bois peut être utilisé suivant afin de faire le meilleur choix possible. Cet appareil de chauffage est conçu pour brûler du bois naturel uniquement. Des rendements plus élevés et des émissions plus faibles résultent généralement lors de la combustion de bois séchés à l'air séché, par rapport aux bois résineux ou aux bois durs verts ou fraîchement coupés.

NE PAS BRÛLER:

1. Des ordures;
2. Des déchets de tonte ou résidus de jardin;
3. Des matériaux contenant du caoutchouc, incluant les pneus;
4. Matériaux contenant du plastique;
5. Des déchets de produits du pétrole, des peintures ou diluants à peinture, ou des produits d'asphalte;
6. Matériaux contenant de l'amiante;
7. Débris de construction ou de démolition;
8. Traverses de voie ferrée ou bois traités sous pression;
9. Fumier ou restes d'animaux;
10. Bois de grève en eau salée ou autres matériaux précédemment saturés par de l'eau salée;
11. Bois non séché; ou
12. Produits du papier, carton, contreplaqué, ou panneau de particules. L'interdiction de brûlage de ces matériaux n'interdit pas l'utilisation d'allume-feu composés de papier, carton, sciure de bois, cire et substances similaires, aux fins de démarquer le feu dans un chauffage au bois modifié.

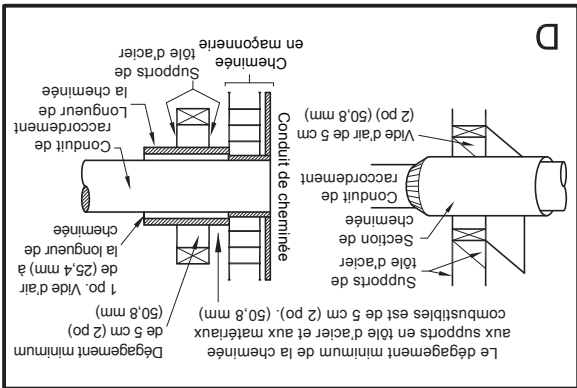
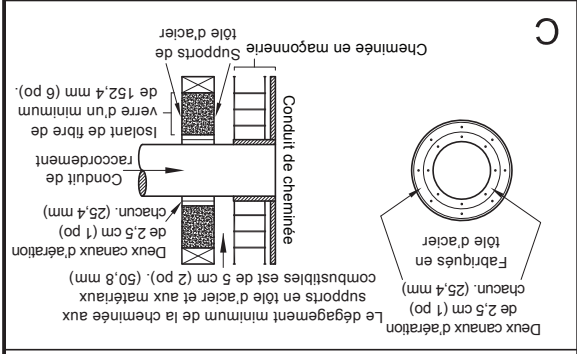
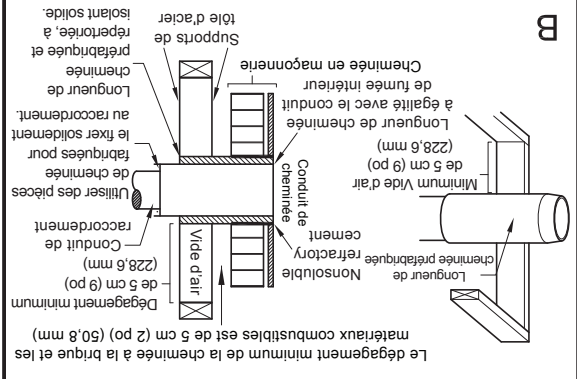
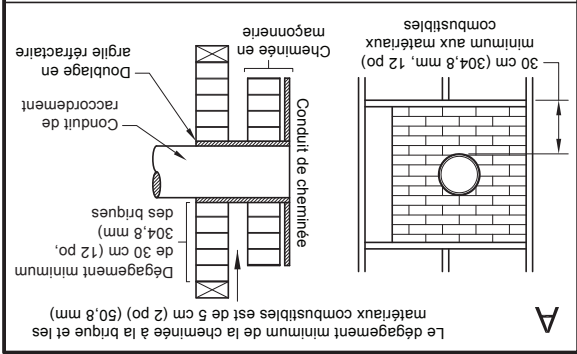
Le brûlage de ces matériaux peut causer des émissions de fumées toxiques ou rendre le chauffage inefficace en raison de la fumée. Le bois mort tombé des arbres doit être considéré comme étant mouillé et doit donc être séché. Le bois mort peut normalement être considéré comme sec à 66 %. Fendre et empiler le bois avant de l'entreposer accélère son séchage. Entrez le bois sur une surface surélevée du sol et sous un espace abrité de la pluie ou de la neige, accélérera le temps de séchage. Un bon indicateur pour savoir si le bois est prêt à brûler est de vérifier les extrémités du morceau. Si elles sont fendues de toutes parts à partir du centre, le bois devrait donc être suffisamment sec. Si votre bois grésille quand il brûle, même si la surface est sèche, il pourrait ne pas être entièrement sec et devrait être laissé à sécher plus longtemps.

Ne brûlez pas de bûches fabriquées de sciure de bois imprégnée de cire ou de grumes avec des additifs chimiques. Les bûches fabriquées à partir de sciure de bois comprimée à 100% peuvent être brûlées, mais soyez prudent en brûlant trop de ces bûches en même temps. Commencez avec un journal fabriqué et voyez comment le poêle réagit. Vous pouvez augmenter le nombre de bûches brûlées à la fois pour vous assurer que la température ne dépasse jamais 246 ° C (475 ° F) sur un thermomètre magnétique pour une installation sur des tuyaux de poêle à paroi unique ou à 482 ° C (900 ° F) sur une table de cuisson, thermomètre à sonde pour installation sur un tuyau de poêle à double paroi. Le thermomètre doit être placé à environ 18 po (457 mm) au-dessus du poêle. Des températures plus élevées peuvent entraîner une surchauffe et endommager votre poêle.



TYPE	POIDS (LB PLS SEC)	PAR CORDE	COTE D'EFFICACITÉ	SE FEND	MILLIONS DE BTU PAR CORDE
Hickory	63	4500	1,0	Bien	31,5
Chêne blanc	48	4100	,9	Moyennement	28,6
Chêne rouge	46	3900	,8	Moyennement	27,4
Hêtre	45	3800	,7	Difficilement	26,8
Érable à sucre	44	3700	,6	Moyennement	26,2
Chêne noir	43	3700	,6	Moyennement	25,6
Frêne	42	3600	,5	Bien	25,0
Mertier	40	3400	,4	Difficilement	23,8
Érable rouge	38	3200	,3	Moyennement	22,6
Bouleau à papier	37	3100	,3	Facilement	22,1
Orme/platane	34	2900	,2	Très difficilement	20,1
Épinette rouge	29	1800	,1	Facilement	16,1

PASSAGE DE RACCORDEMENT D'UNE CHEMINÉE DANS UN MUR COMBUSTIBLE



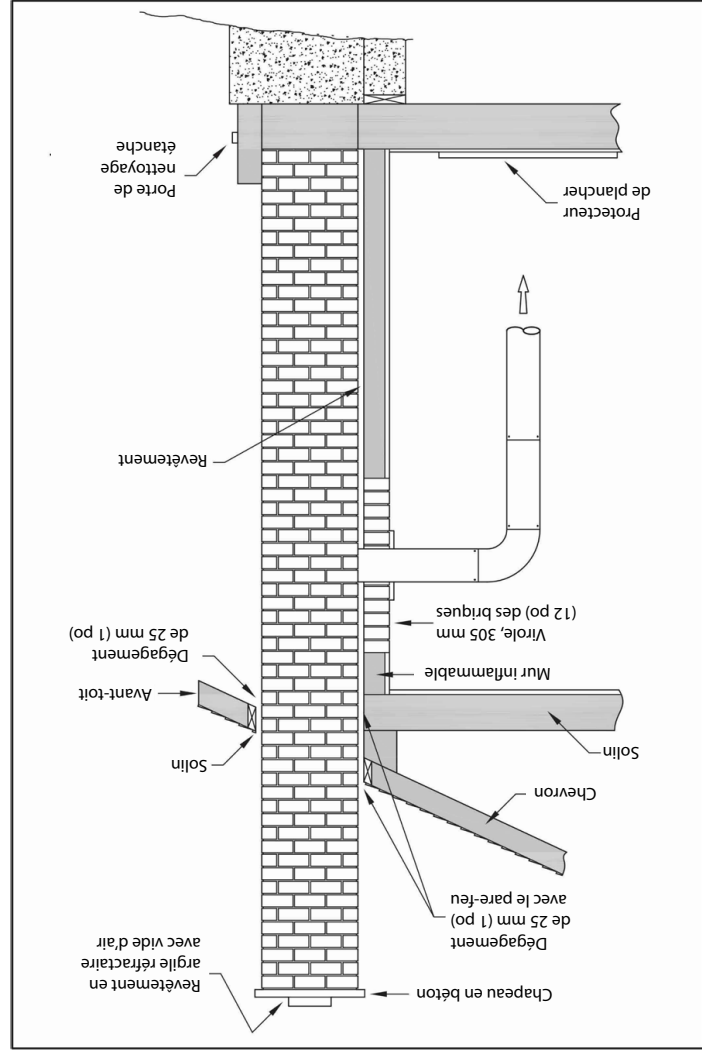
Méthode A. Dépassement de 304,8 mm (12 po) par rapport à un élément de mur combustible: fabriquez un passage mural à l'aide d'une brique d'une épaisseur minimale de 389 mm (3 1/2 po) et d'un boisseau en argile d'une épaisseur minimale de 15,9 mm (5/8 po). Le boisseau d'argile doit être conforme à la norme ASTM C315 (norme relative aux boisseaux en argile) ou une norme équivalente. Gardez une maçonnerie en briques d'un minimum de 304,8 mm (12 po) entre le boisseau en argile et les combustibles muraux. Le boisseau en argile doit passer par la surface externe de la maçonnerie en briques à la surface interne du boisseau de cheminée sans dépasser la surface interne. Appliquez du coulis ou du ciment sur le boisseau en argile de sorte qu'il soit solidement en place sur le boisseau de cheminée.

Méthode B. Dépassement de 228,6 mm (9 po) par rapport à un composant de mur combustible: à l'aide d'une section de cheminée préfabriquée Solid-Pak homologuée d'un diamètre interne de 152,4 mm (6 po) avec une isolation de 25,4 mm (1 po) ou plus, fabriquez un passage mural avec un espace d'air d'un minimum de 228,6 mm (9 po) entre la paroi externe de la section de cheminée et les combustibles muraux. Utilisez des supports en tôle solidement fixés aux surfaces murales de tous les côtés pour garder un espace d'air de 228,6 mm (9 po). Lors de la fixation des supports à la longueur de la cheminée, ne pénétrez pas le recouvrement de la cheminée (la paroi interne de la cheminée Solid-Pak). L'extrémité interne de la section de cheminée Solid-Pak doit être au même niveau que la partie interne du conduit de cheminée en maçonnerie et scellée à l'aide de ciment rétractaire non soluble à l'eau. Utilisez le ciment pour sceller aussi la pénétration de la maçonnerie en briques.

Méthode C. Dépassement de 152,4 mm (6 po) par rapport à un composant de mur combustible: bâtissez un passage mural en commençant par un conduit de raccordement de cheminée en métal au minimum de calibre 24 (.61 mm) de 152,4 mm (6 po) et un manchon mural ventilé de calibre 24 au minimum doté de deux canaux d'aération de 25,4 mm (1 po) chacun. Une zone de séparation minimum de 152,4 mm (6 po) contenant une isolation en fibres de verre doit se trouver entre la surface externe du manchon mural et les combustibles muraux. Maintenez le manchon mural et recouvrez son ouverture à l'aide d'un support en tôle de calibre 24 au minimum. Gardez un espace de 152,4 mm (6 po). Un autre support à la dimension appropriée doit être utilisé pour le conduit de raccordement en métal de la cheminée. Assurez-vous que les supports sont solidement fixés aux surfaces murales de tous les côtés. Assurez-vous que les attaches utilisées pour fixer le conduit de raccordement en métal de la cheminée n'entrent pas dans le boisseau de cheminée.

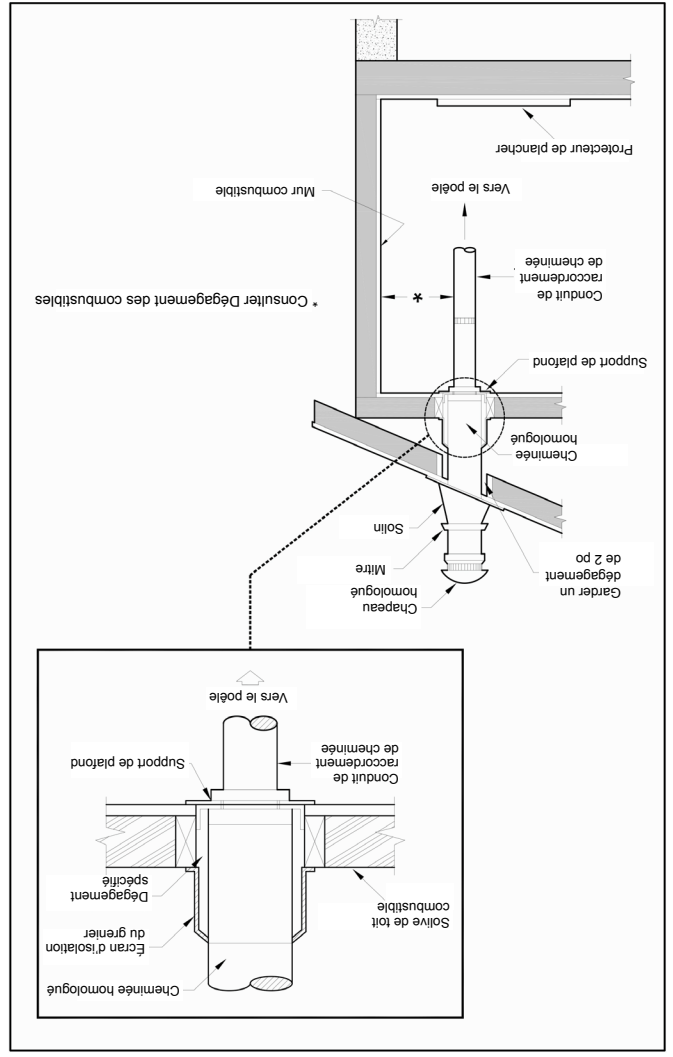
Méthode D. Dépassement de 50,8 mm (2 po) par rapport à un composant de mur combustible homologué Solid-Pak d'au moins 304 mm (12 po) de longueur avec isolation de 25,4 mm (1 po) ou plus, et d'un diamètre interne de 8 po (2 po [51 mm] plus grand que le conduit de raccordement de la cheminée de 6 po [152,4 mm]). Utilisez cette section en tant que passage pour un conduit de raccordement en acier à paroi simple de calibre 24 au minimum. Gardez la section Solid-Pak concentrique et espacée de 25,4 mm (1 po) du conduit de raccordement de la cheminée à l'aide de plaques de soutien en tôle aux deux extrémités de la section de la cheminée. Recouvrez l'ouverture et soutenez une section de cheminée par les deux côtés à l'aide de supports en tôle de calibre 24 au minimum. Assurez-vous que les supports sont solidement fixés aux surfaces murales de tous les côtés.

REMARQUES: Les conduits de raccordement à une cheminée en maçonnerie, à l'exception de la méthode B, doivent s'étendre en une section continue passant par le système de passage mural et la paroi de la cheminée, et non pas au-delà de la face interne du boisseau. Un conduit de raccordement de la cheminée ne doit pas passer par un grenier ou un vide sous toit, un placard ou autre espace fermé similaire, un plancher et un plafond.



CHEMINÉE PRÉFABRIQUÉE

Les directives d'installation du fabricant doivent être observées lors de l'installation d'une cheminée préfabriquée en métal. Vous devez aussi acheter (auprès du même fabricant) et installer la trousse de fixation au plafond ou une trousse de passage dans les murs ou section en T, des coupe-feu (au besoin), des écrans d'isolation, du solin de toit, un couronnement appropriés pour la cheminée, etc. Respectez les dégagements appropriés par rapport à la structure tel que recommandé par le fabricant. La cheminée doit être à la hauteur exigée au-dessus du toit ou de toute obstruction afin d'assurer un fonctionnement sécuritaire et approprié du tirage.



CHEMINÉE EN MAÇONNERIE

Assurez-vous que la cheminée en maçonnerie respecte les normes minimales de la National Fire Protection Association (NFPA) en la faisant inspecter par un professionnel. Assurez-vous qu'il n'y a pas de fissures, de mortier lâche ou d'autres signes de détérioration et d'obstruction. Faites nettoyer la cheminée avant l'installation ou l'utilisation du poêle. Des méthodes spéciales sont requises lors du raccordement du poêle par un mur combustible à une cheminée en maçonnerie.

IMPORTANCE D'UN TIRAGE ADEQUAT

Le tirage est une force déplaçant l'air de l'appareil vers la cheminée. La quantité de tirage dans votre cheminée dépend de la longueur de la cheminée, son emplacement géographique local, les obstructions à proximité et d'autres facteurs. Trop de tirage peut causer des températures excessives dans l'appareil et pourrait l'endommager. Un tirage inadéquat peut causer des retours de fumée dans la pièce et causer l'obturation de la cheminée. Un tirage inadéquat causera des fuites de fumée par l'appareil dans la pièce, s'infiltrant par l'appareil, et les joints du conduit de raccordement. Un brûlage incontrôlable ou une température excessive indique un tirage excessif.

CHEMINÉE

Votre poêle à bois peut être raccordé à une cheminée préfabriquée ou en maçonnerie de 6 pouces. Si vous utilisez une cheminée préfabriquée, elle doit être conforme à la norme UL 103 ou CSA-B365; par conséquent, elle doit être du type HT (2100 °F). Il est extrêmement important qu'elle soit installée selon les spécifications du fabricant. Tenez compte de l'emplacement de la cheminée pour veiller à ce qu'elle ne soit pas trop près des voisins ou dans une vallée pouvant causer des conditions malsaines ou nuisibles.

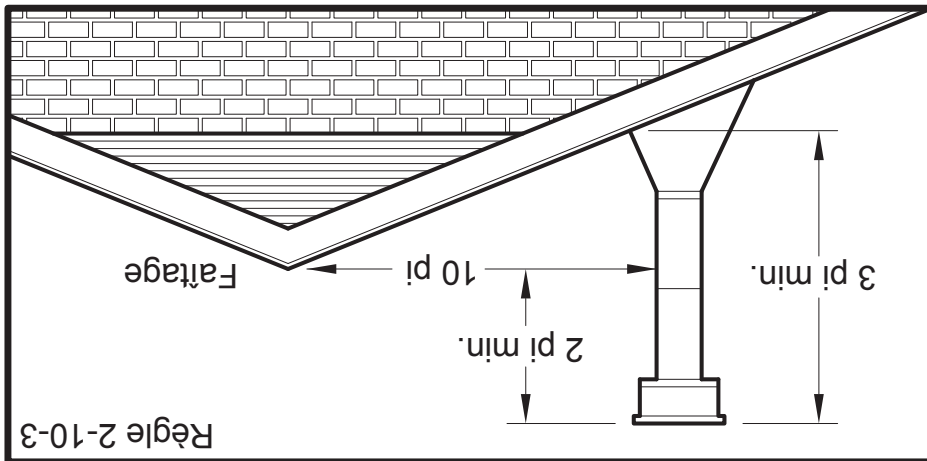
Si vous utilisez une cheminée en maçonnerie, il est important qu'elle soit construite selon les spécifications du Code national du bâtiment. Elle doit être revêtue de briques d'argile réfractaire, de tuiles de métal ou d'argile scellées ensemble à l'aide de ciment réfractaire. (Les conduits ronds sont les plus efficaces.)

Le diamètre interne du conduit de cheminée doit être identique au conduit d'évacuation des fumées du poêle. Un conduit trop étroit peut causer des problèmes de tirage alors qu'un conduit trop large favorise le refroidissement du gaz et, ainsi, entraîne une accumulation de créosote et un risque d'incendie de cheminée. Veuillez prendre note que c'est la cheminée et non le poêle qui crée l'effet de tirage. Le rendement de votre cheminée est donc directement dépendant d'un tirage adéquat de la cheminée.

Les recommandations suivantes peuvent s'avérer utiles lors de l'installation de la cheminée:

1. Ne reliez pas cet appareil à un conduit de fumée utilisé pour un autre appareil.
2. Elle doit dépasser le toit d'au moins 0,9 m (3 pi) à partir du point de contact le plus élevé.
3. La cheminée doit dépasser toute partie de la bâtisse ou toute obstruction d'une distance de 3,04 m (10 pi) et d'une hauteur de 0,6 m (2 pi).
4. L'installation d'une cheminée intérieure est toujours préférable à une cheminée extérieure. De fait, par définition, une cheminée intérieure sera plus chaude qu'une cheminée extérieure puisqu'elle est réchauffée par l'air ambiant de la maison. Par conséquent, le gaz qui circule est refroidi plus lentement, réduisant ainsi l'accumulation de créosote et les risques d'incendie de cheminée.

Le tirage causé par la tendance de l'air chaud à monter est plus fort avec une cheminée intérieure. L'utilisation d'un pare-étincelles à l'extrémité de la cheminée exige une inspection régulière afin de s'assurer qu'il n'est pas obstrué et qu'il ne bloque le tirage. Il doit être nettoyé régulièrement. La cheminée extérieure doit être à pari double ou triple.



DIRECTIVES D'ASSEMBLAGE DU SYSTÈME D'AIR COMBURANT (INSTALLATION DANS UNE MAISON MOBILE - REQUISE)

Cet appareil nécessite une source d'air comburant. Si votre domicile est de construction étanche ou présente des problèmes de pression négative, il vous faudra une source d'air extérieure. Voici une liste d'indicateurs possibles qu'une source d'air de

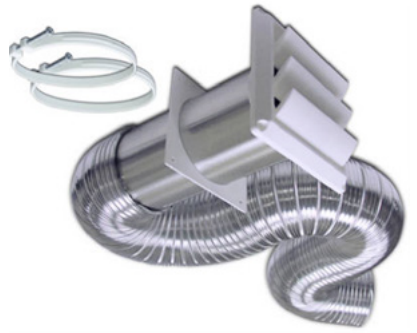
- Votre poêle n'effectue pas un tirage uniforme, produit des retours de fumée, ne brûle pas bien le combustible ou si des retoulements d'air se produisent, qu'il y ait de la combustion ou non.
- Des équipements à combustible se trouvent dans la maison (tels que foyers ou autres appareils de chauffage), en présence d'odeurs, de mauvais fonctionnements, de retours de fumée lors de l'ouverture du poêle ou de retoulements d'air, qu'il y ait de la combustion ou pas.
- Ouvrez légèrement une fenêtre lors d'une journée sans vent atténue tous ces symptômes.
- La maison est dotée d'une barrière à vapeur bien scellée et des fenêtres hermétiques et (ou) des dispositifs électriques qui évacuent l'air de la maison.
- Une concentration excessive de condensation des fenêtres se produit en hiver.
- Un système de ventilation est installé dans la maison.

Si une prise d'air extérieure est nécessaire, vous pouvez acheter une trousse de ventilation pour sècheuse de 4 po à votre quincaillerie locale et l'installer à l'arrière de l'appareil.

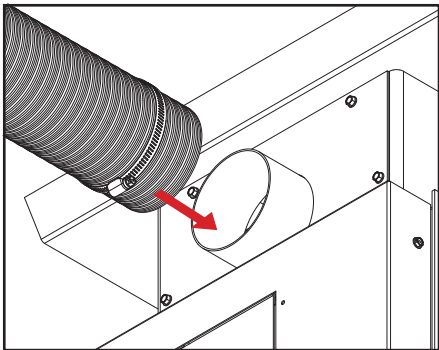
Lors de l'utilisation d'une trousse de ventilation de sècheuse, le couvercle de sortie doit être conçu de telle sorte qu'il NE se referme PAS à l'aide d'un volet ou d'une porte à clapet. Vous devez acheter une trousse de configuration permettant une circulation d'air continue et muni d'un écran contre les rongeurs. Ce type d'adaptateur s'achète auprès de votre détaillant.

4FAK INSTALLATION

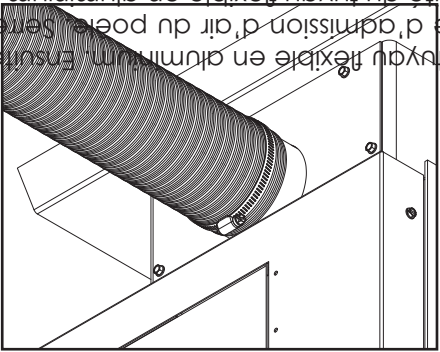
Suivez les instructions d'installation du fabricant pour fixer le kit de ventilation de la sècheuse à la maison. Ensuite, fixez-le à l'adaptateur situé sur l'entrée d'air de combustion à l'arrière du socle, comme indiqué.



Installation du «kit de ventilation de la sècheuse»

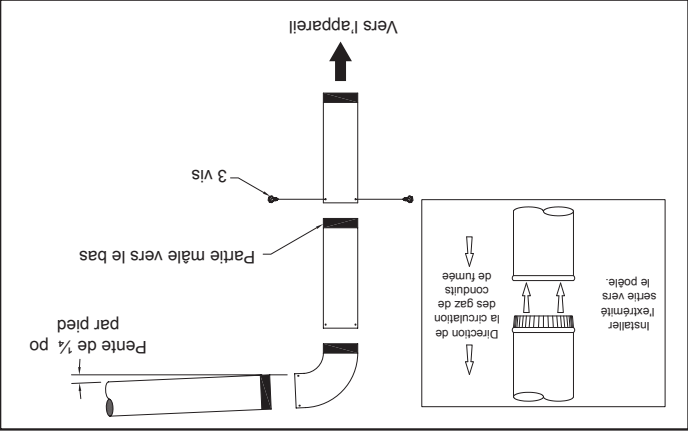


Faites glisser le collier de serrage sur le tuyau flexible en aluminium. Ensuite, faites glisser le tuyau flexible sur le tube d'admission d'air du poêle. Serré



CONDUIT DE RACCORDEMENT DE CHEMINÉE (TUYAU DU POÊLE)

Le conduit de raccordement de la cheminée et la cheminée doivent avoir le même diamètre que la sortie du poêle (6 po). Si ce n'est pas le cas, nous vous recommandons de communiquer avec le détaillant afin de vous assurer qu'il n'y aura pas de problème de tirage. Le tuyau du poêle doit être fait d'acier aluminé ou laminé à froid d'une épaisseur minimale de 0,021 po ou 0,53 mm. Il est strictement défendu d'utiliser de l'acier galvanisé. Le tuyau de fumée doit être assemblé de sorte que la section mâle (extrémité sortie) du tuyau soit orientée vers le bas. Fixez chaque section à une autre à l'aide de trois vis à métal placées à une distance égale. Bouchez avec du ciment à calottière. Le tuyau doit être court et droit. Toutes les sections installées à l'horizontale doivent avoir une pente d'au moins 1/4 po par pied et l'extrémité supérieure de la section doit être vers la cheminée. Les installations horizontales de tuyaux de cheminée doivent se conformer à la norme NFPA 211. Vous pouvez communiquer avec la NFPA (National Fire Protection Association) pour demander la plus récente version de la norme 211 de la NFPA.



Association) pour demander la plus récente version de la norme 211 de la NFPA. Pour assurer un bon tirage, la longueur totale de raccordement ne doit jamais excéder 2,4 à 3,04 m (8 à 10 pi). (À l'exception des installations verticales, de style toit cathédrale ou le système d'évacuation de la fumée peut être plus long et raccorder sans problème à la cheminée au niveau du plafond de la pièce.) L'installation du système d'évacuation de la fumée ne doit pas comporter plus de deux coudes de 90 degrés. Il est interdit d'installer un « stabilisateur de tirage barométrique » (registre de cheminée) sur un système d'évacuation de la fumée. De plus, il n'est pas recommandé d'installer un registre de tirage. En fait, pour un poêle à bois à combustion contrôlée, le tirage est régulé lors de l'admission de l'air de combustion dans le poêle et non au niveau de l'échappement.

EXIGENCES PARTICULIÈRES POUR LES MAISONS MOBILES

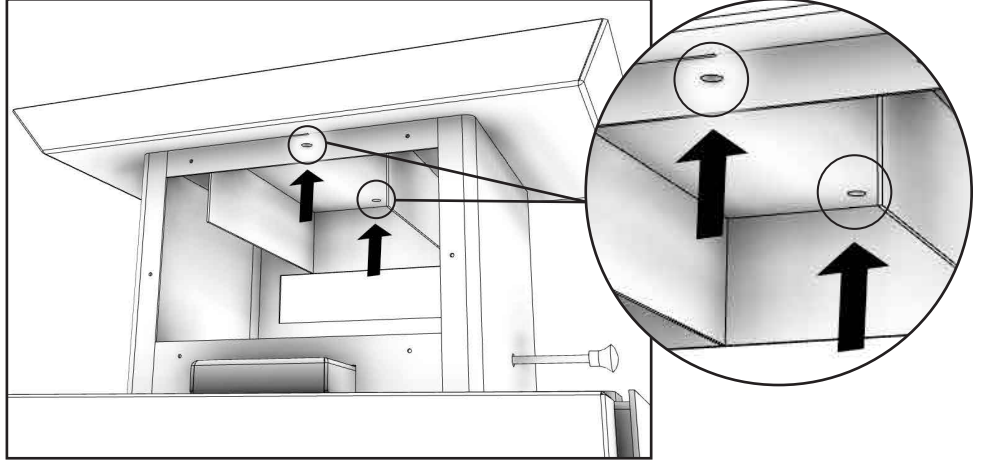
AVERTISSEMENT ! - N'installez pas l'appareil dans une chambre à coucher

MISE EN GARDE ! - L'intégrité structurale du plancher, des murs et du toit/plafond de la maison mobile doit être maintenue.

Outre les exigences précédentes en matière d'installation, toute installation dans une maison mobile doit satisfaire aux critères suivants:

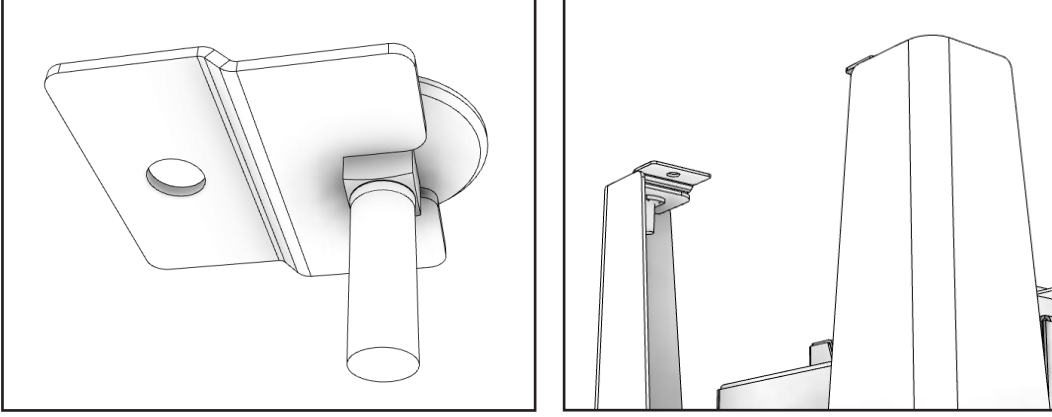
- Le chauffage d'appoint doit être raccordé à une cheminée préfabriquée conforme à la norme CAN / UL-C-5629, Norme pour les cheminées préfabriquées à 650 ° C.
- L'appareil de chauffage doit être mis à la masse via le châssis métallique de la maison mobile au moyen d'un fil de cuivre de calibre 8 et d'une rondelle striée ou en étoile pour pénétrer la peinture ou l'enduit protecteur et, ainsi, assurer la mise à la terre.
- Lors du déplacement de votre maison mobile, tout évent extérieur doit être déplacé. Une fois le déplacement effectué, tous les événements doivent être réinstallés et solidement assujettis.
- La mise à l'air extérieure est obligatoire lors d'une installation dans une maison mobile. Consultez votre détaillant lors de l'achat.
- Consultez aussi vos représentants régionaux en bâtiment, puisque d'autres codes peuvent s'appliquer.
- Utilisez uniquement les composants spécifiés dans ce manuel pour cet appareil. L'utilisation de composants non destinés à cette unité peut créer des conditions dangereuses.

Illustration: Fixer le radiateur au sol.



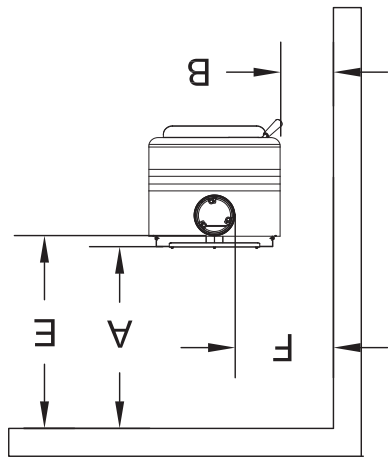
Utilisé pour sécuriser les appareils avec les pieds au sol (pour une utilisation dans une maison mobile)

1. Le support s'engage autour de l'extrusion carrée du boulon de nivellement inséré dans la jambe.
2. Une fois l'appareil mis à niveau, positionnez le support et fixez-le au sol à l'aide de la visserie appropriée à votre sol.
3. Installez un support par jambe ou consultez votre autorité locale compétente pour déterminer le nombre de points de fixation requis.

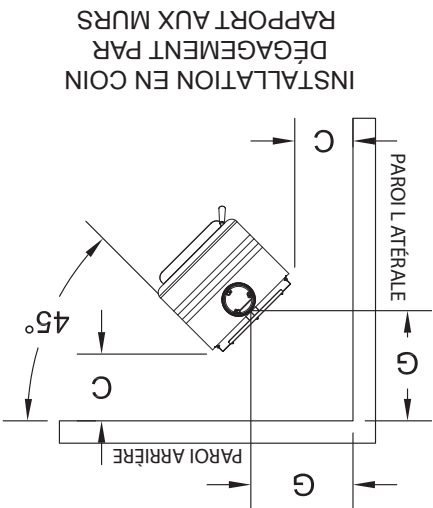


DÉGAGEMENTS AUTOUR DES POÊLES AUTONOMES

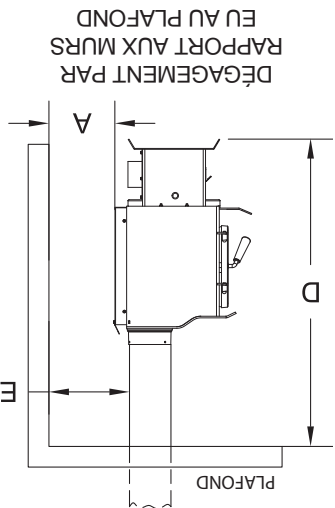
Un poêle à bois ne doit jamais être installé dans un passage ou près d'une cage d'escalier puisqu'il peut bloquer le passage en cas d'incendie ou ne pas respecter les dégagements requis. Il est de la plus haute importance que les dégagements par rapport aux matières combustibles soient rigoureusement respectés au cours de l'installation du poêle. Consultez les tableaux ci-dessous:



DÉGAGEMENT PAR



INSTALLATION EN COIN
DÉGAGEMENT PAR
RAPPORT AUX MURS



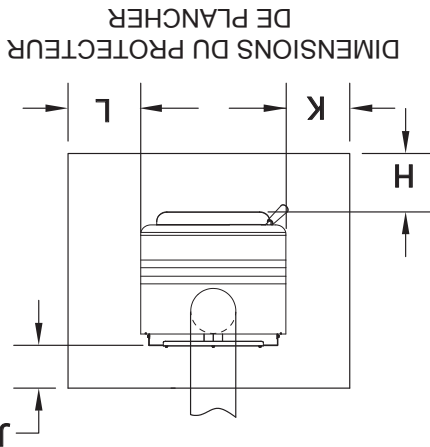
DÉGAGEMENT PAR
RAPPORT AUX MURS
EU AU PLAFOND

PROTECTEUR DE PLANCHER

Cet appareil de chauffage doit comporter un protecteur de plancher incombustible (protection contre la brisè) installé en dessous si le plancher est en matériau combustible. Si un tampon de sol est utilisé, il doit être réperforé UL ou équivalent. Le tampon de sol ou la surface non combustible doit être suffisamment grand pour s'étendre sous le poêle et au-delà de chaque côté, comme indiqué. S'il y a un conduit de cheminée horizontal, il doit y avoir une protection du plancher dessous qui s'étend de deux pouces au-delà de chaque côté du tuyau.

Dimensions	En pouces	En mm
*H	Avant	16
*H	Avant	407
J	Arrière	2
K	Gauche	8
L	Droite	8
		204

*Au Canada, l'installation nécessite
457mm (18 po)



DIMENSIONS DU PROTECTEUR
DE PLANCHER

- Ne placez pas de matière combustible à l'intérieur de 1,2 m (4 pi) de la partie avant de l'appareil.
- Le jeu entre le conduit de fumée et un mur ne sont valables que pour les murs verticaux et pour les tuyaux de fumée verticaux
- Le conduit de raccordement de la cheminée ne doit pas passer par un grenier ou un vide sous toit, un placard ou autre espace fermé similaire, un plancher et un plafond.
- Pour les installations au Canada, lorsqu'on souhaite passer un tuyau dans un mur ou une cloison de construction combustible, l'installation doit alors se certifier à CAN/CSA-B365.
- Le dégagement minimum d'un tuyau de raccordement passant par un mur combustible est de 457,2 mm (18 po).
- Communiquez avec le département local de sécurité si vous souhaitez réduire les dégagements entre les conduits de fumée et les matériaux combustibles.

Assemblage

DÉBALLAGE ET INSPECTION

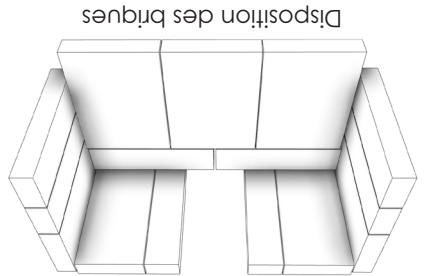
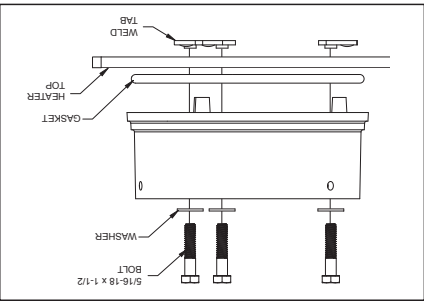
Déballiez complètement l'appareil et inspectez-le pour vérifier s'il présente des dommages. Votre appareil vous est livré avec le ressort de la poignée de porte non installée. Retirez le ressort de la poignée de porte et fixez-le à la poignée de porte, tel que montré.

Assurez-vous que les briques sont correctement positionnées et non endommagées (reportez-vous à l'illustration pour connaître la disposition correcte des briques). Assurez-vous que la cloison séparative alliant au-dessus des conduits d'air est en place et en bon état. (NE PAS RETIRER).

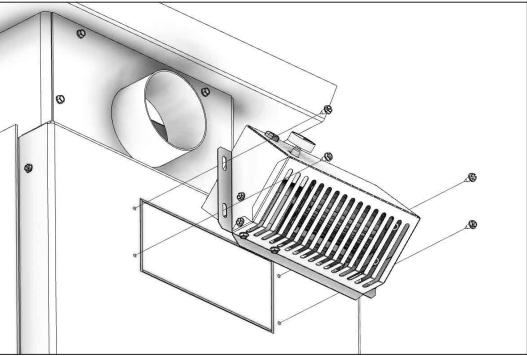
ASSEMBLÉE

Assemblage du collier de cheminée:

- Montez le collier de cheminée sur le dessus de l'appareil comme indiqué à l'aide des (3) boulons 5 / 16-18 x 1-1 / 2, (3) rondelles et (3) languettes à souder fournies dans le boîtier de pièces.
- Assemblez le déflecteur d'air ambiant:
- Localisez le déflecteur d'air ambiant. À l'aide des vis 1/2 Tek fournies, montez le déflecteur sur l'appareil
- Configuration Firebrick:
- Remplacez le brique réfractaire comme indiqué sur l'illustration.



Disposition des briques



Étape 1 - LA SOUFFLANTE DOIT ÊTRE DÉCONNECTÉE DE LA SOURCE D'ALIMENTATION ÉLECTRIQUE AVANT L'INSTALLATION. À l'aide d'une paire de pinces, coupez les 4 pattes et enlevez le panneau à l'arrière du poêle.

Remarque: Jetez le panneau.

Étape 2 - Fixez la soufflante à l'arrière du poêle à l'aide des quatre boulons fournis. LA SOUFFLANTE EST CONÇUE POUR UNE UTILISATION UNIQUEMENT AVEC LES POÊLES DESTINÉS À SON UTILISATION.

N'ACHEMINÉZ PAS LE CORDON D'ALIMENTATION PRÈS OU À TRAVERS DES SURFACES CHAUDES !

Installation

AVIS DE SÉCURITÉ

- UN INCENDIE DE MAISON PEUT RÉSULTER D'UNE MAUVAISE INSTALLATION DU POÊLE. AFIN DE RÉDUIRE LES RISQUES D'INCENDIE, VEUILLEZ OBSERVER LES DIRECTIVES D'INSTALLATION.
- COMMUNIQUÉZ AVEC LES RESPONSABLES LOCAUX DE LA CONSTRUCTION OU DE L'INCENDIE AU SUJET DES PERMIS, DES RESTRICTIONS ET DES EXIGENCES D'INSTALLATION DE VOTRE RÉGION.
- INSTALLEZ UN DÉTECTEUR DE FUMÉE DANS LA PIÈCE OÙ SE TROUVE LE POÊLE.
- GARDEZ LES MEUBLES ET LES RIDEAUX ÉLOIGNÉS DU POÊLE.
- N'UTILISEZ JAMAIS D'ESSENCE, DE COMBUSTIBLE À LANTERNE, DE KÉROSÈNE, D'ESSENCE D'ALUME-FEU OU D'AUTRES LIQUIDES SIMILAIRES POUR ALLUMER OU RAVIVER LE FEU DANS CET APPAREIL DE CHAUFFAGE. GARDEZ TOUS CES LIQUIDES ÉLOIGNÉS DU POÊLE LORSQU'IL EST EN MARCHÉ.
- DANS L'ÉVENTUALITÉ D'UN INCENDIE DE CHEMINÉE, REFERMEZ COMPLÈTEMENT LE RÉGULATEUR D'AIR EN LE POUSSANT AFIN D'EMPÊCHER L'OXYGÈNE D'ALIMENTER L'INCENDIE. APPELEZ VOTRE SERVICE D'INCENDIE.
- NE CONNECTEZ PAS CE POÊLE SUR DES CONDUITS OU UN SYSTÈME DE DISTRIBUTION D'AIR.
- AU BESOIN, FOURNISSEZ UNE SOURCE D'AIR FRAIS DANS LA PIÈCE OU À UN ESPACE CHAUFFÉ.
- UTILISEZ LE POÊLE UNIQUEMENT LORSQUE LA PORTE EST FERMÉE. L'UTILISATION AVEC UNE PORTE OUVERTE PEUT ENTRÂÎNER UNE COMBUSTION EXCESSIVE.

POSITIONNEMENT DU POÊLE

Il est très important de choisir un emplacement le plus près possible de la cheminée dans une zone favorisant la meilleure distribution de chaleur à travers la maison. Par conséquent, le poêle doit être installé dans la pièce où les occupants de la maison passent le plus de temps et dans la pièce la plus spacieuse. Souvenez-vous que les poêles à bois produisent de la chaleur radiante, celle qu'on ressent lorsqu'on est près d'un poêle à bois. Un poêle à bois fonctionne aussi par convection, ce qui signifie par le déplacement accéléré de l'air chaud vers le haut et son remplacement de l'air froid. Au besoin, la distribution d'air chaud à partir du poêle peut être facilitée par l'installation d'une soufflante. Passez le cordon d'alimentation d'air chaud à l'unité. Ne passez pas le cordon d'alimentation sous ou devant l'appareil. Le poêle à bois ne doit pas être raccordé à un système de distribution d'air chaud puisque l'accumulation excessive de chaleur pourrait se produire.

Ce manuel décrit l'installation et le fonctionnement du chauffage au bois, Vogelzang, VG1120. Ce chauffage respecte les limites d'émission 2020 de bois en cuisson de la U.S. Environmentally Protection Agency pour les chauffages au bois solide après le 15 mai 2020. Sous les conditions spécifiques du test, ce chauffage a démontré un taux de chauffage de 15 196 à 40 594 Btu/h avec 1,7 g / h et 69% d'efficacité. Remarque: Les valeurs de BTU mentionnées ci-dessus sont basées sur le protocole de test EPA dans des conditions de test spécifiques. Nos BTU publicités sont basés sur la première heure de fonctionnement à un taux élevé de combustion brûlant du bois de corde.

Combustible:	Bois
Couleurs:	Noir métallique
Diamètre du tuyau de raccordement:	6 po (153 mm)
Type du tuyau de raccordement: (À paroi simple ou à paroi double standard):	Acier noir ou bleu à 650 ° C (2100 ° F)
Hauteur minimale de la cheminée:	12 pi (3,7 m)
Longueur maximale des bûches:	18 po (458 mm)
Composants électriques	120VAC 0,55A 60Hz
Dimensions	
Hors tout: Profondeur x largeur x hauteur:	VG1120-BL 21,78 po x 22,48 po x 30,85 po (554 mm x 571 mm x 784 mm)
	VG1120-BP 21,15 po x 22,48 po x 31,71 po (538 mm x 571 mm x 806 mm)
Chambre de combustion: Largeur x profondeur:	18,29 po x 11 po (465 mm x 280 mm)
Volume Firebox: Pieds cubes:	1,31 pieds cubes
Ouverture de porte: Largeur x hauteur:	15,98 po x 8,54 po (406 mm x 217 mm)
Porte en verre pyrocéramique: (Vue) Largeur x hauteur:	14,37 po x 7,76 po (365 mm x 198 mm)

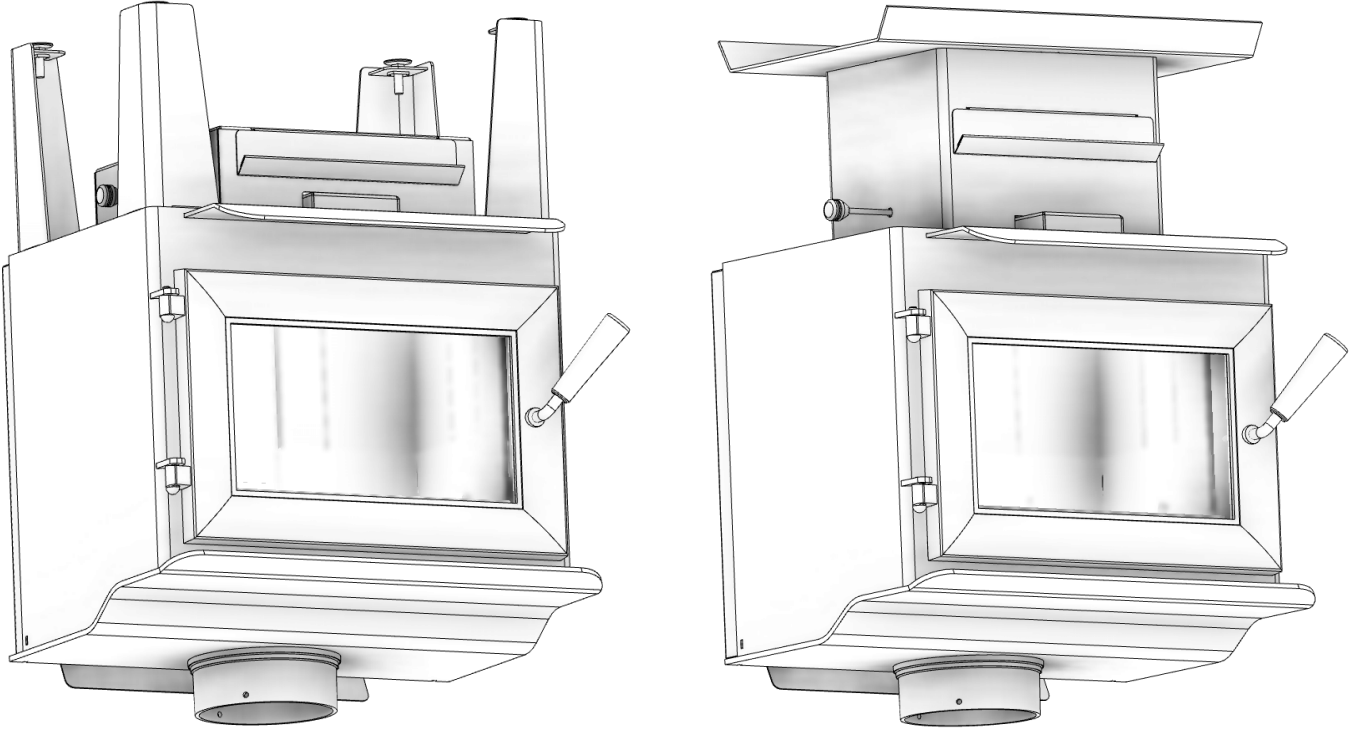
- MISES EN GARDE:
- CHAUD LORS DU FONCTIONNEMENT. GARDEZ LES ENFANTS, LES VÊTEMENTS ET LES MEUBLES ÉLOIGNÉS DE L'APPAREIL.
 - UN CONTACT PEUT CAUSER DES BRÛLURES À LA PEAU.
 - N'UTILISEZ PAS DE PRODUITS CHIMIQUES OU DE FLUIDES POUR ALLUMER LE FEU.
 - NE LAISSEZ JAMAIS LE POÊLE SURVEILLANCE LORSQUE LA PORTE EST OUVERTE, MÊME LÉGÈREMENT.
 - NE BRÛLEZ PAS DE DÉCHETS OU DE FLUIDES INFLAMMABLES TELS L'ESSENCE, LE NAPHTA OU L'HUILE À MOTEUR.
 - NE BRÛLEZ PAS CE POÊLE SUR DES CONDUITS OU UN SYSTÈME DE DISTRIBUTION D'AIR.
 - REFERMEZ TOUJOURS LA PORTE APRÈS L'ALLUMAGE.

Remarque: Enregistrez votre produit en ligne à www.usstove.com. Conservez votre reçu avec vos dossiers pour toute réclamation.

VOGELZANG

Affordable Heating Since 1974

Manuel Du Propriétaire Modèle: VG1120



Conservez ces instructions Ce manuel vous aidera à obtenir un service efficace et fiable du radiateur, et à vous permettre de commander des pièces de réparation correcte. Gardez dans un lieu sécurisé pour référence ultérieure.

MISE EN GARDE!
Veuillez lire l'intégralité de ce manuel avant d'installer ou d'utiliser votre nouvel appareil de chauffage. Le non respect de ces instructions peut entraîner des dommages matériels, des blessures corporelles et même la mort. Une mauvaise installation peut annuler votre garantie!

AVIS DE SÉCURITÉ:
Si cet appareil de chauffage n'est pas correctement installé, un incendie peut survenir. Pour votre sécurité, suivez les instructions d'installation. N'utilisez jamais de compromis de fortune lors de l'installation de cet appareil de chauffage. Contactez les responsables locaux de l'immeuble ou des services d'incendie pour connaître les permis, restrictions et exigences d'installation dans votre région.



United States Stove Company
PO Box 151, 227 Industrial Park Rd.,
South Pittsburg, TN 37380
PH: (800) 750-2723
www.usstove.com

U.S. Environmental Protection Agency
Certifié conforme aux normes d'émissions de particules de 2020.

AVERTISSEMENT CONCERNANT LA PROPOSITION 65 DE L'ÉTAT DE LA CALIFORNIE:
Ce produit peut vous exposer à des agents chimiques, y compris au monoxyde de carbone, lesquels sont reconnus dans l'état de la Californie comme causant le cancer et des malformations congénitales ou autres dommages au fœtus. Pour obtenir plus de renseignements, veuillez consulter le site www.P65warnings.ca.gov

Approuvé pour l'installation de maisons mobiles aux États-Unis et au Canada

Numéro du rapport: F19-473
Testé conformément aux méthodes ALT-125, ASTM E2515, ASTM E3053 et CSA B415 de l'EPA; Certifié UL 1482-2011 (R2015) et UL-C-5627-00 (R2016)

