



# ENDURANCE MARINE DRUM WINCH

## User Manual with Electrical Installation



EDM SERIES	EDM SS SERIES	EDM F SERIES
*EDM400W-010	*EDM400W-010SS	*EDM400W-010F
*EDM600W-011	*EDM600W-011SS	*EDM600W-011F
EDM1000W-012	EDM1000W-012SS	EDM1000 W-012F
EDM1400W-013	EDM1400W-013SS	EDM1400W-013F
EDM1400W-014	EDM1600W-014SS	EDM1600W-014F
*EDM2500W-015	*EDM2500W-015SS	
<p><b><i>*These drum winches are special order only*</i></b></p> <p>All drum winches can be special ordered in 24 Volt</p> <p>50% Deposit is required on all Special Orders</p> <p>Special Orders can take up to 90 days delivery from date of purchase</p>		

Congratulations on the purchase of our Anchor Winch which designed and manufactured by ENDNURNCE MARINE

We are very committed to the quality and safety of our product and ask that you read this handbook carefully and follow the installation instructions to ensure you, our valued customer get maximum benefit from our Anchor Winch - the ultimate anchor retrieval system.

### **Contents:**

- ◆ Operating Instructions Standard Model and Stainless Steel Model
- ◆ Operating Instructions Free fall Series
- ◆ Winch Specification and Wiring Diagram
- ◆ Trouble Shooting Guide
- ◆ Warranty

## **Operating Instructions Standard Model and Stainless Steel Model**

- To lower the anchor - push the down switch and start to reverse the boat slowly so you don't get the chain on top of the anchor.
- Lower the anchor until the rope goes slack.

### **DO NOT OVER RUN THE ROPE ON THE DRUM.**

- Once you are in the right fishing position there is no need to tie off the rope.
- To raise the anchor start the engine and slowly move forward at the same time as pushing the up switch.
- Once you see the anchor - inch the switch to bring the anchor up.

### **DO NOT JAM THE ANCHOR INTO THE BOW SPRIT.**

- If you jam the anchor in the bow sprit go to the front of your boat, put some pressure on the chain place both hands on the line of pull and press down to release some tension. This will release the gearbox and allow you to let the anchor down again.
- When traveling turn your Circuit Breaker off to avoid activating your winch

## **Drum Capacity for All Models**

### **EDM400W-010 / EDM400W-010S / EDM400W-010F**

- 60 meters of 6mm nylon plus 8 meters of 5/6mm short link chain

### **EDM600W-011 / EDM600W-011S / EDM600W / 011F**

- 100 meters of 8mm nylon plus 8 meters of 5/6mm short link chain

### **EDM1000W / EDM1000W-012S / EDM1000W-012F**

- 130 meters of 8mm nylon plus 8 meters of 6/8mm short link chain

### **EDM1400W-013S / EDM1400W -013F**

- 100 meters of 10mm nylon plus 8 meters of 8/10mm short link chain

### **EDM1600W-014 / EDM1600W-014S / EDM1600W-014F**

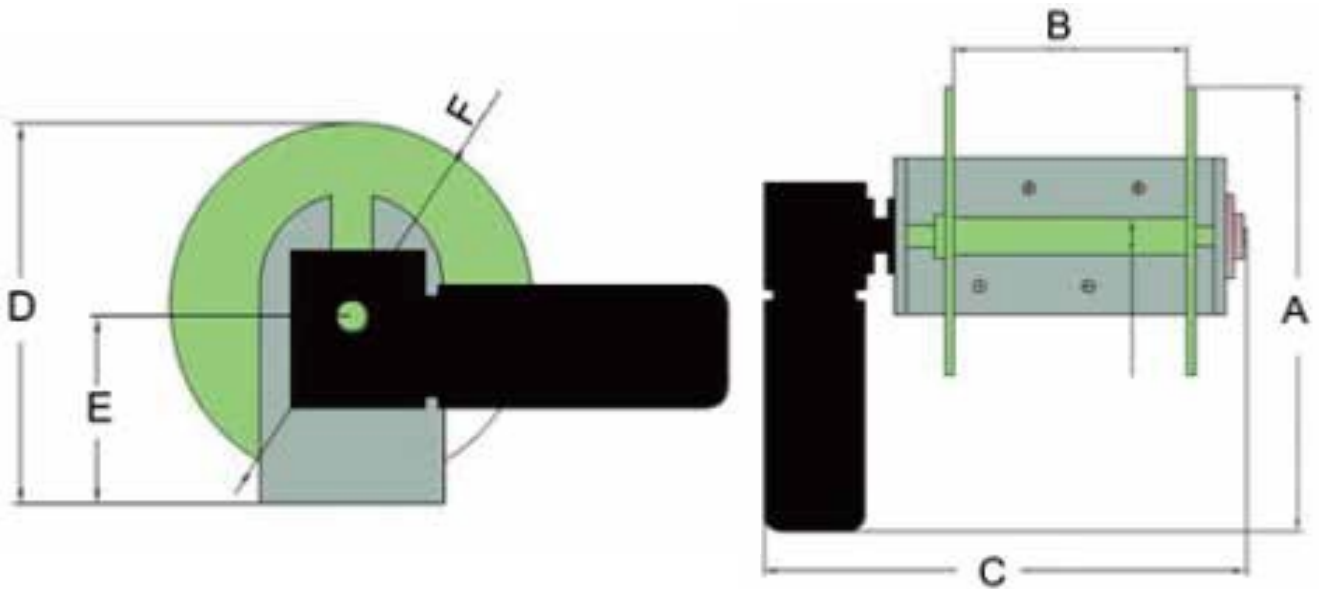
- 120 meters of 12mm nylon plus 8 meters of 8/10mm short link chain

### **EDM2500W-015 / EDM2500W-015S / EDM2500W-015F**

- 200 meters of 14mm nylon plus 8 meters of 10/12mm short link chain

# Drum Winch Specifications EDM

Model	Weight	Power Supply	Motor (Watts)	No load absorption	Max. Load	Max. Pull	Line Speed	Rope Size	Chain Size
EDM400W-010	9kg	12V/24V	400W	30A	120kg	320kg	30m/min	6mm	5-6mm
EDM600W-011	16kg	12V / 24V	600W	50A	190kg	600kg	30m/min	6-8mm	5-6mm
EDM1000W-012	20kg	12V / 24V	1000W	90A	350kg	750kg	25m/min	8-10mm	6-8mm
EDM1400W-013	30kg	12V / 24V	1400W	120A	480kg	900kg	20m/min	10-14mm	8-10mm
EDM1600W-014	43kg	12V / 24V	1600W	135A	680kg	1200kg	20m/min	10-14mm	8-10mm
EDM2500W-015	115kg	24V/48V	2500W	105A	980kg	1800kg	20m/min	24-30mm	10-13mm



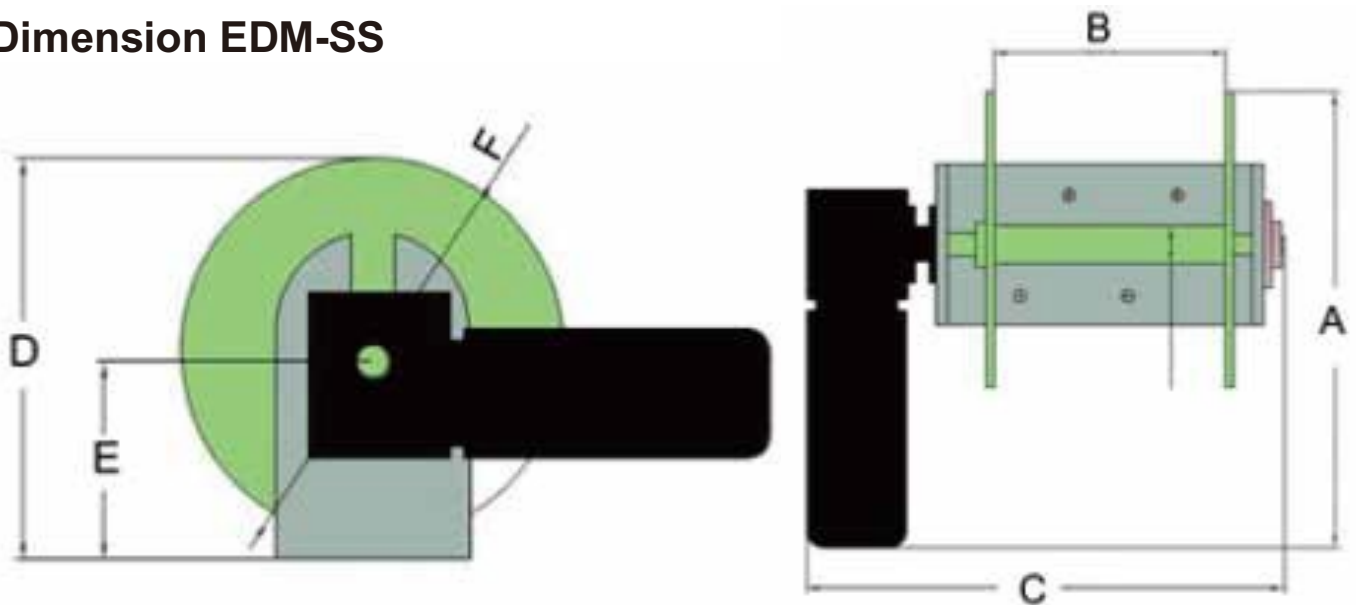
# Drum Winch Specifications EDM

Model	Motor(W)	A	B	C	D	E	F
EDM400W-010	400W	300	175	350	200	110	185
EDM600W-011	600W	335	206	375	265	140	245
EDM1000W-012	1000W	410	208	393	310	165	290
EDM1400W-013	1400W	450	248	423	350	180	340
EDM1400W-014	1600W	520	260	500	420	215	400
EDM2500W-015	2500W	705	433	722	570	295	550

# Winch Specifications EDM-SS

Model	Weight	Power Supply	Motor (Watts)	No load absorption	Max. Load	Max. Pull	Line Speed	Rope Size	Chain Size
EDM400W-010SS	12kg	12V/24V	400W	30A	120kg	320kg	30m/min	6mm	5-6mm
EDM600W-011SS	17.5kg	12V / 24V	600W	50A	190kg	600kg	30m/min	6-8mm	5-6mm
EDM1000W-012SS	22kg	12V / 24V	1000W	90A	350kg	750kg	25m/min	8-10mm	6-8mm
EDM1400W-013SS	35kg	12V / 24V	1400W	120A	480kg	900kg	20m/min	10-14mm	8-10mm
EDM1600W-014SS	44 kg	12V / 24V	1600W	135A	680kg	1200kg	20m/min	10-14mm	8-10mm
EDM2500W-015SS	119kg	24V/48V	2500W	105A	980kg	1800kg	20m/min	24-30mm	10-13mm

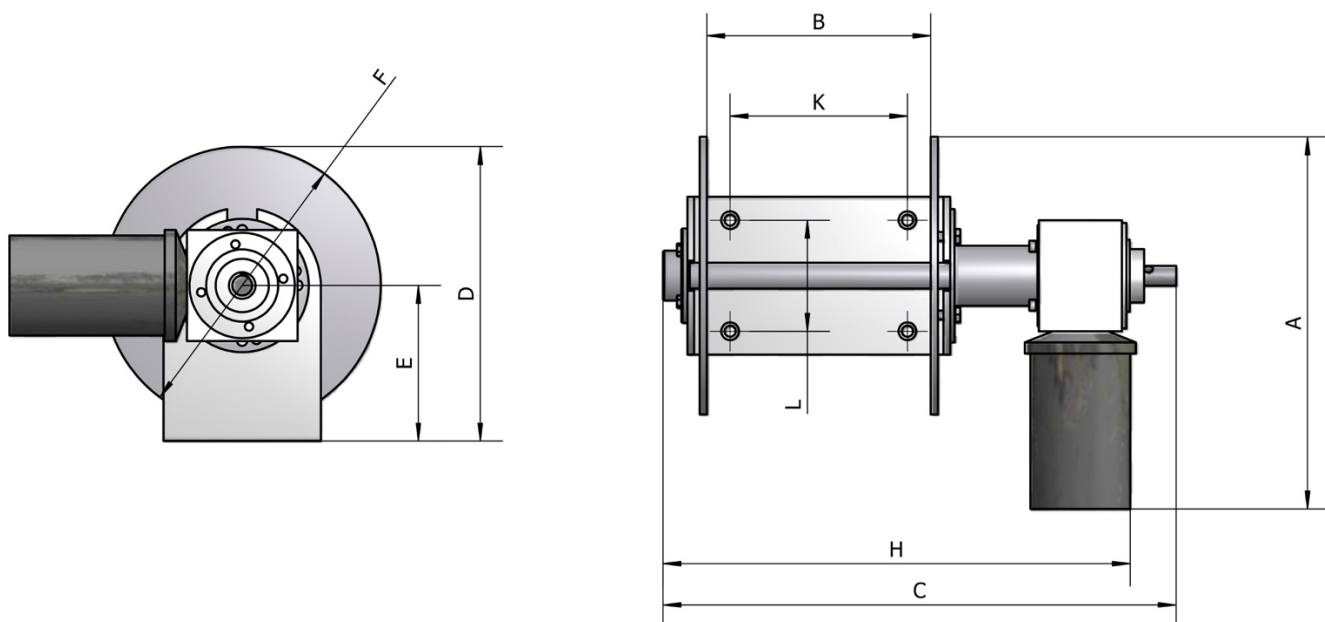
## Dimension EDM-SS



Model	Motor(W)	A	B	C	D	E	F
EDM400W-010SS	400W	320	175	350	200	110	185
EDM600W-011SS	600W	370	206	376	265	140	245
EDM1000W-012SS	1000W	420	208	395	310	165	290
EDM1400W-013SS	1400W	480	248	450	350	180	340
EDM1600W-014SS	1600W	535	260	520	420	215	400
EDM2500W-015SS	2500W	740	433	723	570	295	550

## Winch Specifications EDM-F

Model	Weight	Power Supply	Motor (Watts)	No load absorption	Max. Load	Max. Pull	Line Speed	Rope Size	Chain Size
EMD400W-010F	12kg	12V/24V	400W	30A	120kg	320kg	30m/min	6mm	5-6mm
EMD600W-011F	17kg	12V / 24V	600W	50A	190kg	600kg	30m/min	6-8mm	5-6mm
EMD1000W-012F	25kg	12V / 24V	1000W	90A	350kg	750kg	25m/min	8-10mm	6-8mm
EMD1400W-013F	35.5kg	12V / 24V	1400W	120A	480kg	900kg	20m/min	10-14mm	8-10mm
EMD1600W-014F	46kg	12V / 24V	1600W	135A	680kg	1200kg	20m/min	10-14mm	8-10mm



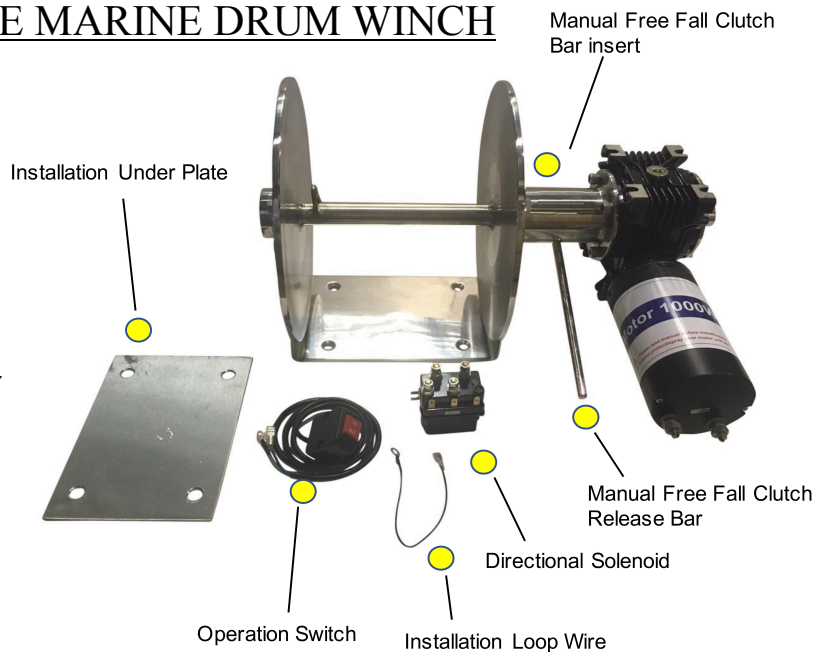
## Dimension EDM-F

Model	Motor(W)	A	B	C	D	E	F	H
EDM400W-010F	400W	300	175	440	220	120	200	390
EDM600W-011F	600W	335	202	463	265	140	250	422
EDM1000 W-012F	1000W	410	205	495	310	165	290	450
EDM1400W-013F	1400W	435	234	580	350	180	345	500
EDM1600W-014F	1600W	465	260	760	420	215	400	510

# ENDURANCE MARINE DRUM WINCH

## Operating Instruction

Free Fall Series- EDM- FF MODELS ONLY



You have purchased a Free Fall Series Drum winch. When the free fall mode is active the anchor will ascend by gravity.

This winch incorporates a spring loaded manual clutch mechanism that when activated allows the drum spool to rotate and the anchor will free fall. To operate insert the clutch handle (found in a holder between the drum and gear box) in the hole at the end the gear box drum shaft. IMAGE (1) BELOW

Turn the handle 90 degrees which will pull the drum shaft back 1/2 inch releasing the spring loaded shaft which will cause the drum to free fall. IMAGE (2) BELOW

Once the drum stops moving and is no longer free falling turn the clutch handle Back 90 degrees which re-connects the drum to the gear box. The winch is now in power mode to move up or down.

**NOTE: Do not engage the gear box when the winch is still free falling. This will cause severe damage to the gears and voids warranty**

**NOTE: When running this winch either in the gravity free fall or raising it up extreme caution must be taken. Severe injury may occur. Hands, feet ,or any objects must be kept clear of the winch**

IMAGE (1)



IMAGE (2)



# Trouble Shooting Guide

## Spooling of the rope and chain:

### ◆ **If there is a buildup on one side of the drum**

The winch has been installed off centre. This means the centre of the drum has not been lined up on the centre lines between the bow sprit and the centre of the anchor well or the winch installation is not square to the bow sprit.

### ◆ **On retrieval of the anchor**

If the rope and/or chain jams on the baseplate of the winch you have over-spooled the recommended capacity of rope and chain onto the drum.

### ◆ **If your anchor fails to fall**

When the down switch is activated, check that there is a natural force of gravity when the anchor is up and located in the bow sprit to displace the weight of the anchor over the front of the boat.

### ◆ **If you over-run the rope and the rope spills over the side of the drum**

Have a second person apply tension on the rope whilst you inch the winch in reverse. Continue this process until all of the rope is spooled back onto the drum.

### ◆ **If the actuator malfunctions**

Check and/or replace the 5 amp fuse in the fuse holder located at the back of the switch panel.

## Electrical operation of the winch

◆ If the operation of the winch slows down – check that the batteries are charged or connect to a second battery. If your boat is fitted with dual batteries, have the battery switch on BOTH.

◆ If the drum spools only in one direction check the connections to the solenoid, motor, circuit breaker and battery.

◆ If your winch fails to operate check that the circuit breaker is switched on.

◆ If the anchor is stuck on the bottom and you hold your finger on the up switch, the circuit breaker will trip out. If this occurs, re-set the circuit breaker, drive your boat forward and retrieve the anchor.

# ENDURANCE MARINE DRUM WINCH

## **Warranty**

Endurance Marine warrants its product in normal usage to be free of defects in materials and workmanship for a period of five year from date of purchase by the original purchaser, subject to the conditions, limitations and exceptions listed below. Any part, which proves to be defective in normal usage during that five year period, will be repaired or at Endurance Marine option, replaced by Endurance Marine

### **Conditions & limitations**

1. Endurance Marine liability shall be limited to repair or replacement of the goods or parts in materials or workmanship.
2. Determination of the suitability of the material for the use contemplated by the buyer is the sole responsibility of the buyer and Endurance Marine have no responsibility in connection with such suitability.
3. Endurance Marine shall not be liable in any way for:
  - 1) Failures, loss or damage due to use of products in applications for which they are not intended
  - 2) Failures, loss or damage due to corrosion, ultra violet Degradation, wear and tear or improper installation.
  - 3) Failures, loss or damage due to incorrect maintenance.
  - 4) Failures, loss or damage due to conditions that exceed the product's performance specifications, and water damage.
  - 5) Products subject to warranty claim must be returned to Endurance Marine or examination unless otherwise agreed by Endurance Marine in writing
  - 6) Endurance Marine shall not be responsible for shipping charges nor installation labor associated with and warranty claim

**Buyers intending to use them for any other purpose should seek advice from Endurance Marine, and Endurance Marine shall be under no liability arising from use which Endurance Marine has not approved.**

1

2

3

4

A

A

B

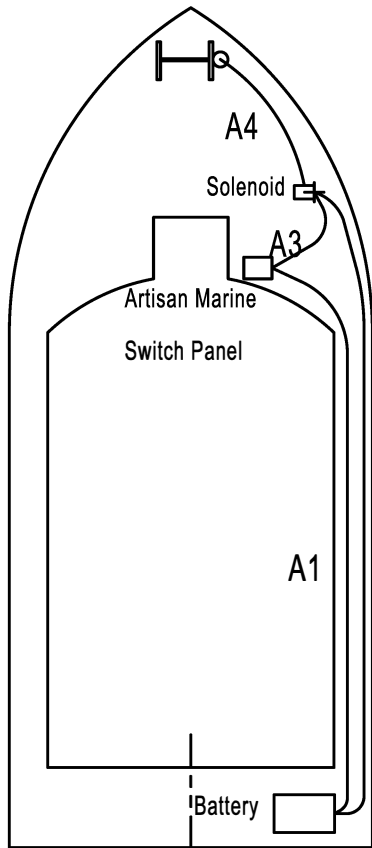
B

C

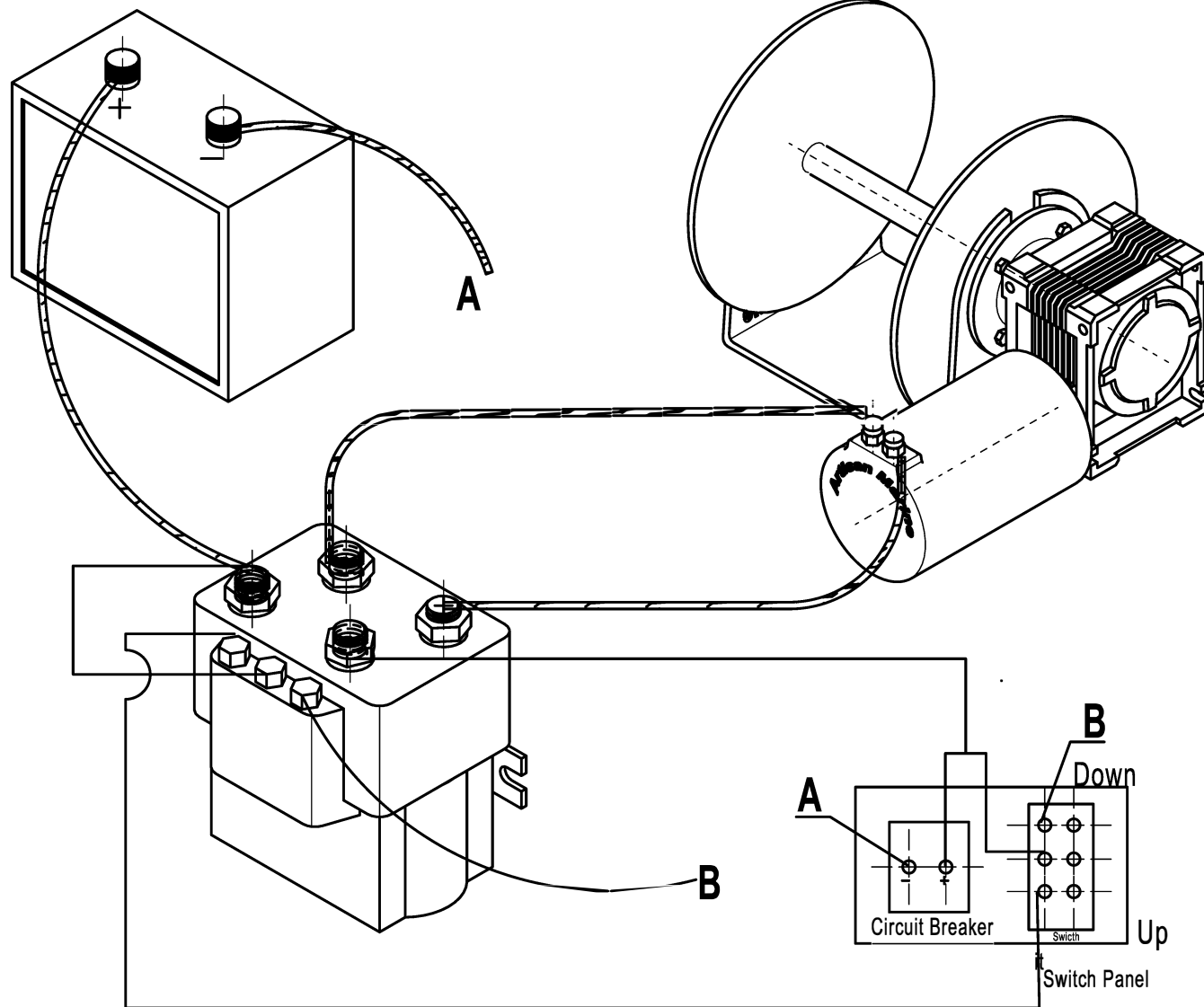
C

D

D



- A1-Battery To Switch Panel
- A2-Battery To Solenoid
- A3-Switch Panel To Solenoid
- A4-Solenoid To Winch Motor



**Note: If Up and Down is Running Opposite, Switch the Up and Down wires on the Switch Panel**

# ENDURANCE MARINE Drum Winch Wiring Diagram



1

2

3

A4

