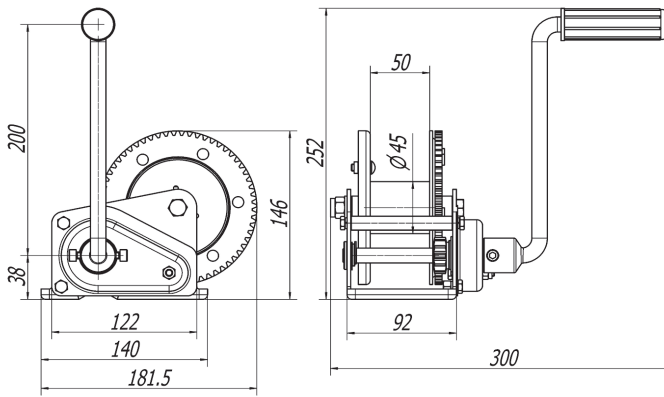
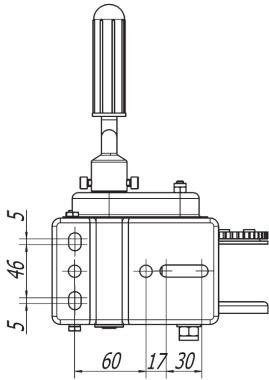


STAINLESS STEEL AUTO-BRAKE WINCH MODEL EABW1200SS



Specifications (stainless steel)

Model No.	Application	Capacity (1st layer)	Gear Ratio	Handle Force	Drum Capacity		Remark	Net Weight
		kgs		kgs	cable/ synthetic rope	Strap		kgs
EABW1200SS	Lifting	454	4.3:1	20	Ø4.76mmx17m	1.1mmx48mmx8.5m	Auto-brake	3.3