

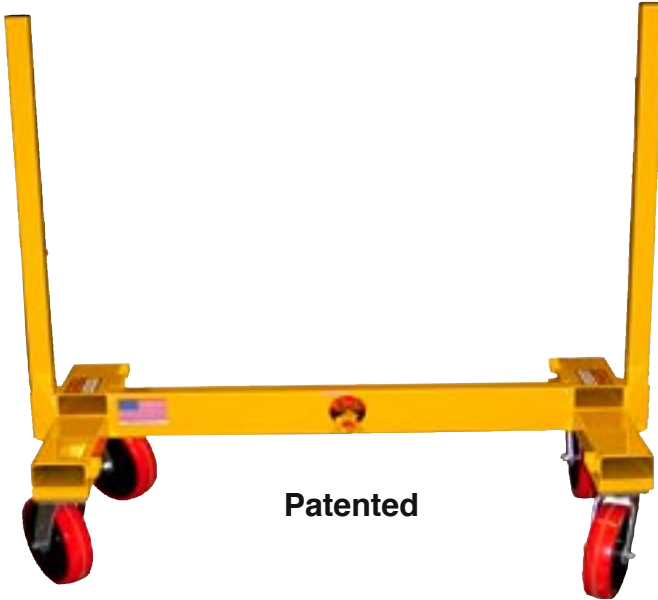


# The Troll

MATERIAL HANDLING CART

MADE IN THE USA BY **Talpro Inc.** GRAND FORKS ND  
PATENT COVERED BY ONE OR MORE OF THE FOLLOWING (PATENT PENDING / 6,032,966)

## Model 1814 Operator's Manual



Patented

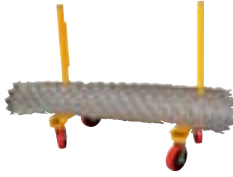
**PROUDLY MADE  
IN THE U.S.A.**



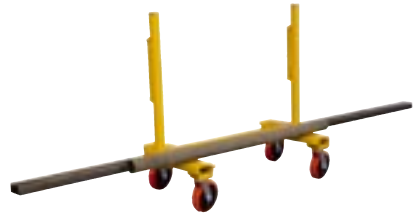
Form #42-14-00-00.5-30-03

**PARAGON PRO**  
MANUFACTURING SOLUTIONS

7251 S 42nd Street  
Grand Forks, ND 58201  
Phone 1-800-448-0822  
Fax 1-800-474-9993



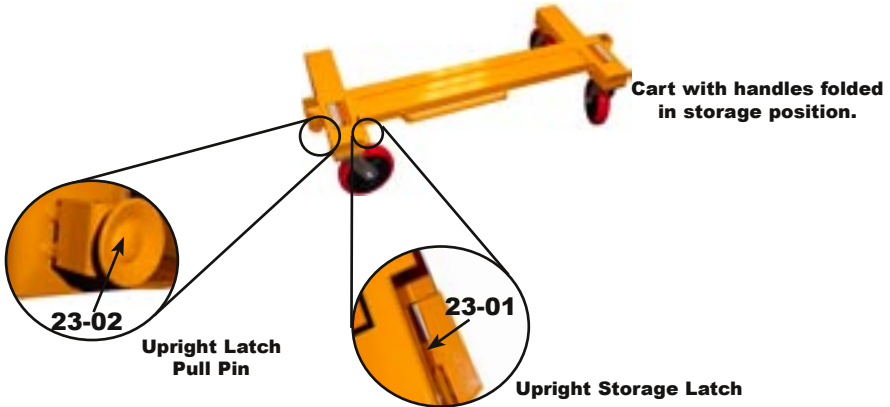
**How many ways can you use  
your Troll® Cart?**



## Front View



## Back View



## Parts Index

<u>Part #</u>	<u>Description</u>
23-01	Upright Storage Latch
23-02	Upright Latch Assembly
23-03	Upright Tube
23-04	(3) 8" Swivel Casters w/ Fasteners
23-05	Upright End Cap
23-06	(1) 8" Locking Brake Caster



**This product contains trace amounts of the following items which are known to cause cancer and/or developmental harm in the state of California.**

These chemicals are not hazardous under product's intended use.

Please review CAS# for more information.

<b>Chemical</b>	<b>Hazard</b>	<b>CAS#</b>	<b>% By Weight</b>
Arsenic	Cancer	7440-38-2	Trace
Cadmium	Developmental	7440-43-9	Trace
Chromium	Cancer, Developmental	7440-47-3	Trace
Ethylbenzene	Cancer	100-41-4	Trace
Lead	Cancer	7439-92-1	Trace
Methanol	Developmental	67-56-1	Trace
Methylene Chloride (Dichloromethane)	Cancer	75-09-2	Trace
Nickel	Cancer	7440-02-0	Trace
Propylene glycol monobutyl ether	Cancer	5131-66-8	Trace
Toluene	Developmental	108-88-3	Trace





