

*If you have questions or comments, contact us.
Pour toute question ou tout commentaire, nous contacter.
Si tiene dudas o comentarios, contáctenos.*

1-888-895-4549 • www.dewalt.com

**INSTRUCTION MANUAL
GUIDE D'UTILISATION
MANUAL DE INSTRUCCIONES**

INSTRUCTIVO DE OPERACIÓN, CENTROS DE SERVICIO Y PÓLIZA DE GARANTÍA. **ADVERTENCIA:** LÉASE ESTE INSTRUCTIVO ANTES DE USAR EL PRODUCTO.

DEWALT®

DXCMTA5590412

**Gas Portable Air Compressor
Gaz de compresseur portatif
Gas de compresor portátil**

Air Compressor

- A. Pump Air Intake Filter
- B. Engine Air Filter
- C. Engine On/Off Switch
- D. Air Tank Pressure Gauge
- E. Regulated Pressure Gauge
- F. Pressure Regulator
- G. Air Outlet
- H. Unloader Valve
- I. Safety Valve
- J. Air Tank Drain Valve(s)
- K. Fixed Throttle
- L. Choke Control
- M. Fuel Valve Lever
- N. Starter Grip

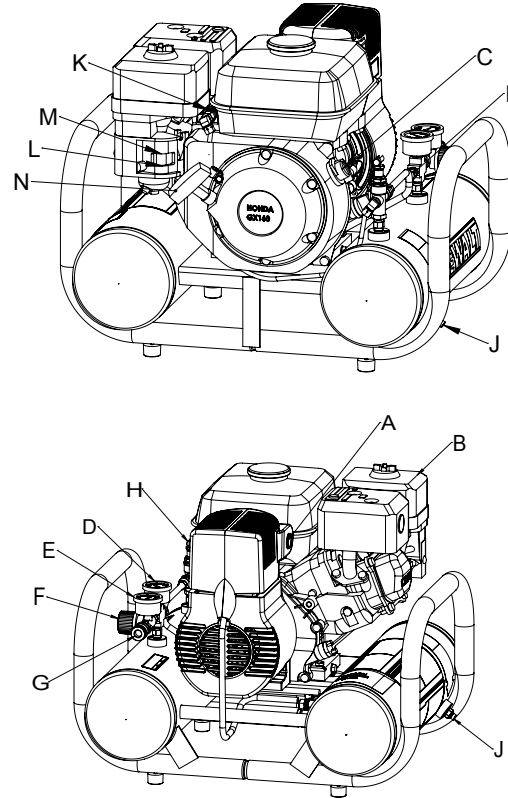
Pump Specifications

- Oil-Free
- Single stage
- Direct Drive

Engine Specifications

- Honda 163 cc
- Internal Combustion
- 4-stroke

FIG. 1



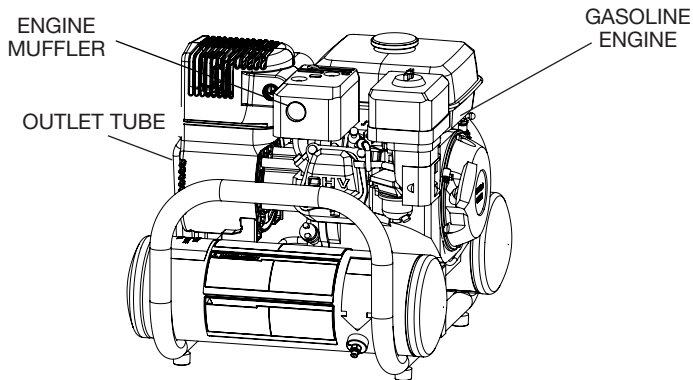
Actual unit may vary slightly.

Specifications

MODEL	DXCMTA5590412
WEIGHT	93 lbs. (42.2 kg)
HEIGHT	22.1" (561 mm)
WIDTH	21.6" (549 mm)
LENGTH	24.4" (620 mm)
AIR TANK CAPACITY	4 gallons (15.1 liters)
APPROX. BLOW OFF PRESSURE	155 psi
SCFM @ 90 PSI	5.0 *
* Tested per ISO 1217	

Hot Surfaces

FIG. 2



Definitions: Safety Guidelines

The definitions below describe the level of severity for each signal word. Please read the manual and pay attention to these symbols.

⚠ DANGER: Indicates an imminently hazardous situation which, if not avoided, will result in death or serious injury.

⚠ WARNING: Indicates a potentially hazardous situation which, if not avoided, could result in death or serious injury.

⚠ CAUTION: Indicates a potentially hazardous situation which, if not avoided, may result in minor or moderate injury.

NOTICE: Indicates a practice not related to personal injury which, if not avoided, may result in property damage.

IF YOU HAVE ANY QUESTIONS OR COMMENTS ABOUT THIS OR ANY DEWALT TOOL, CALL US TOLL FREE AT: 1-888-895-4549

Important Safety Instructions

⚠ DANGER: Carbon Monoxide. Using an engine indoors can kill you in minutes. Engine exhaust contains high levels of carbon monoxide (CO), a poisonous gas you cannot see or smell. You may be breathing CO even if you DO NOT smell engine exhaust.

- **NEVER** use an engine inside homes, garages, crawlspaces, or other partly enclosed areas. Deadly levels of carbon monoxide can build up in these areas. Using a fan or opening windows and doors does **NOT** supply enough fresh air.
- **ONLY** use outdoors and far away from open windows, doors and vents. These openings can pull in engine exhaust.
- Even when the engine is used correctly, CO may leak into your home. **ALWAYS** use a battery-powered or battery backup CO alarm (not supplied) in the home. **Read and follow all directions for CO alarm before using.** If you start to feel sick, dizzy or weak at anytime, move to fresh air immediately. See a doctor. You could have carbon monoxide poisoning.

⚠ WARNING: Do not operate this unit until you read this instruction manual and the engine instruction manual for safety, operation and maintenance instructions.

⚠ WARNING: This product may not be equipped with a spark-arresting muffler. If the product is not equipped and will be used around flammable materials or on land covered with materials such as agricultural crops, forest, brush, grass or other similar items, then an approved spark arrester must be installed and is legally required in the state of California. It is a violation of California statutes section 130050 and/or sections 4442 and 4443 of the California Public Resources Code, unless the engine is equipped with a spark arrester, as defined in section 4442, and maintained in effective working order. Spark arresters are also required on some U.S. Forest Service land and may also be legally required under other statutes and ordinances.

⚠ WARNING: CONTAINS LEAD. May be harmful if eaten or chewed. May generate dust containing lead. Wash hands after

use. Keep out of reach of children.

⚠ WARNING: This product can expose you to chemicals including Lead, which is known to the State of California to cause cancer and birth defects or other reproductive harm. For more information go to www.P65Warnings.ca.gov.

⚠ WARNING: The engine exhaust from this product contains chemicals known to the State of California to cause cancer, birth defects or other reproductive harm.

SAVE THESE INSTRUCTIONS



⚠ DANGER: RISK OF EXPLOSION OR FIRE

WHAT CAN HAPPEN

- Spilled gasoline and its vapors can become ignited from cigarette sparks, electrical arcing, exhaust gases and hot engine components such as the muffler.
- Heat will expand fuel in the tank which could result in spillage and possible fire or explosion.

HOW TO PREVENT IT

- Shut off engine and allow it to cool before adding fuel to the tank.
- Use care in filling tank to avoid spilling fuel. Move unit away from fueling area before starting engine.
- Keep maximum fuel level 1/2" (12.7 mm) below bottom of filler neck to allow for expansion.



⚠ DANGER: RISK TO BREATHING (ASPHYXIATION)

WHAT CAN HAPPEN

- Breathing exhaust fumes will cause serious injury or death! Engine exhaust contains carbon monoxide, an odorless and deadly gas.
- The compressed air directly from your compressor is not safe for breathing. The air stream may contain carbon monoxide, toxic vapors, or solid particles from the air tank. Breathing these contaminants can cause serious injury or death.

HOW TO PREVENT IT

- Always operate air compressor outside in a clean, well ventilated area. Avoid enclosed areas such as garages, basements, storage sheds, which lack a steady exchange or air. Keep children, pets and others away from area of operation.
- Never use air obtained directly from the compressor to supply air for human consumption. The compressor is not equipped with suitable filters and in-line safety equipment for human consumption.

- **Combustible materials which come into contact with hot engine parts can become ignited.**
- Add fuel outdoors in a well ventilated area. Make sure there are no sources of ignition, such as cigarettes near refueling location.
- Operate compressor in a clean, dry, well ventilated area a minimum of 48" (1.22 m) from any building, object or wall. Do not operate unit indoors or in any confined area.
- Operate compressor in an open area away from dry brush, weeds or other combustible materials.
- Store fuel in an OSHA-approved container, in a secure location away from work area.
- Always remain in attendance with the product when it is operating.
- Improperly stored fuel could lead to accidental ignition. Fuel improperly secured could get into the hands of children or other unqualified persons.
- **Unattended operation of this product could result in personal injury or property damage. To reduce the risk of fire, do not allow the compressor to operate unattended.**

- Exposure to chemicals in dust created by power sanding, sawing, grinding, drilling and other construction activities may be harmful.
- Sprayed materials such as paint, paint solvents, paint remover, insecticides, weed killers, may contain harmful vapors and poisons.
- Work in an area with good cross ventilation. Read and follow the safety instructions provided on the label or safety data sheets for the materials you are spraying. Always use certified safety equipment: NIOSH/OSHA respiratory protection or properly fitting face mask designed for use with your specific application.



▲ WARNING: RISK OF BURSTING

Air Tank: On February 26, 2002, the U.S. Consumer Product Safety Commission published Release # 02-108 concerning air compressor tank safety:

Air compressor receiver tanks do not have an infinite life. Tank life is dependent upon several factors, some of which include operating conditions, ambient conditions, proper installations, field modifications, and the level of maintenance. The exact effect of these factors on air receiver life is difficult to predict.

If proper maintenance procedures are not followed, internal corrosion to the inner wall of the air receiver tank can cause the air tank to unexpectedly rupture allowing pressurized air to suddenly and forcefully escape, posing risk of injury to consumers.

Your compressor air tank must be removed from service by the end of the year shown on your tank warning label.

The following conditions could lead to a weakening of the air tank, and result in a violent air tank explosion:

WHAT CAN HAPPEN

- Failure to properly drain condensed water from air tank, causing rust and thinning of the steel air tank.
- Modifications or attempted repairs to the air tank.
- Unauthorized modifications to the unloader valve, safety valve, or any other components which control air tank pressure.

HOW TO PREVENT IT

- Drain air tank daily or after each use. If air tank develops a leak, replace it immediately with a new air tank or replace the entire compressor.
- Never drill into, weld or make any modifications to the air tank or its attachments. Never attempt to repair a damaged or leaking air tank. Replace with a new air tank.
- The air tank is designed to withstand specific operating pressures. Never make adjustments or parts substitutions to alter the factory set operating pressures.

Attachments & accessories:

- Exceeding the pressure rating of air tools, spray guns, air operated accessories, tires and other inflatables can cause them to explode or fly apart, and could result in serious injury.
- Follow the equipment manufacturers recommendation and never exceed the maximum allowable pressure rating of attachments. Never use compressor to inflate small low pressure objects such as children's toys, footballs, basketballs, etc.

Tires:

- Over inflation of tires could result in serious injury and property damage.
 - Use a tire pressure gauge to check the tires pressure before each use and while inflating tires; see the tire sidewall for the correct tire pressure.
- NOTE:** Air tanks, compressors and similar equipment used to inflate tires can fill small tires very rapidly. Adjust pressure regulator on air supply to no more than the rating of the tire pressure. Add air in small increments and frequently use the tire gauge to prevent over inflation.



⚠ WARNING: RISK FROM FLYING OBJECTS

WHAT CAN HAPPEN

HOW TO PREVENT IT

- The compressed air stream can cause soft tissue damage to exposed skin and can propel dirt, chips, loose particles and small objects at high speed, resulting in property damage or personal injury.
- Always wear certified safety equipment: ANSI Z87.1 eye protection (CAN/CSA Z94.3) with side shields when using the compressor.
- Never point any nozzle or sprayer toward any part of the body or at other people or animals.
- Always turn the compressor off and bleed pressure from the air hose and air tank before attempting maintenance, attaching tools or accessories.



⚠ WARNING: RISK OF HOT SURFACES

WHAT CAN HAPPEN

HOW TO PREVENT IT

- Touching exposed metal such as the engine head, engine exhaust or outlet tubes, can result in serious burns.
- Never touch any exposed metal parts on compressor during or immediately after operation. Compressor will remain hot for several minutes after operation
- Do not reach around protective shrouds or attempt maintenance until unit has been allowed to cool.



⚠ WARNING: RISK FROM MOVING PARTS

WHAT CAN HAPPEN

- The engine can start accidentally if the flywheel is turned by hand or moved by pulling on the starter rope.
- Moving parts such as the pulley, flywheel, and belt can cause serious injury if they come into contact with you or your clothing.
- Attempting to operate compressor with damaged or missing parts or attempting to repair compressor with protective shrouds removed can expose you to moving parts and can result in serious injury.

HOW TO PREVENT IT

- Always disconnect the spark plug and bleed pressure from the air tank before performing maintenance.
- Never operate the compressor with guards or covers which are damaged or removed.
- Keep your hair, clothing and gloves away from moving parts. Loose clothes, jewelry or long hair can be caught in moving parts.
- Air vents may cover moving parts and should be avoided as well.
- Any repairs required on this product should be performed by a DEWALT factory service center or a DEWALT authorized service center.



⚠ WARNING: RISK OF UNSAFE OPERATION

WHAT CAN HAPPEN

- Unsafe operation of your air compressor could lead to serious injury or death to you or others.

HOW TO PREVENT IT

- Review and understand all instructions and warnings in this manual.
- Become familiar with the operation and controls of the air compressor.
- Keep operating area clear of all persons, pets, and obstacles.
- Keep children away from the air compressor at all times.
- Do not operate the product when fatigued or under the influence of alcohol or drugs. Stay alert at all times.
- Never defeat the safety features of this product.
- Equip area of operation with a fire extinguisher.
- Do not operate machine with missing, broken, or unauthorized parts.
- Never stand on the compressor.



⚠ WARNING: RISK FROM NOISE

WHAT CAN HAPPEN

- Under some conditions and duration of use, noise from this product may contribute to hearing loss.

HOW TO PREVENT IT

- Always wear certified safety equipment: ANSI S12.6 (S3.19) hearing protection.



⚠ WARNING: RISK OF INJURY FROM LIFTING

WHAT CAN HAPPEN

- Serious injury can result from attempting to lift too heavy an object.

HOW TO PREVENT IT

- The compressor is too heavy to be lifted by one person. Obtain assistance from others before lifting.



⚠ WARNING: RISK OF INJURY OR PROPERTY DAMAGE WHEN TRANSPORTING OR STORING

WHAT CAN HAPPEN

- Oil can leak or spill and could result in fire or breathing hazard; serious injury or death can result. Oil leaks will damage carpet, paint or other surfaces in vehicles or trailers.

HOW TO PREVENT IT

- Always place compressor on a protective mat when transporting to protect against damage to vehicle from leaks. Remove compressor from vehicle immediately upon arrival at your destination. Always keep compressor level and never lie on its side.

**SAVE THESE INSTRUCTIONS
FOR FUTURE USE**

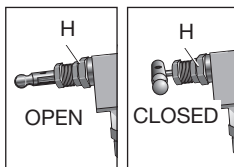
FEATURES

UNLOADER VALVE

When the maximum air tank pressure is obtained, the unloader valve (H) will blow-off. This will cause the compressor to exhaust the air to the atmosphere and not the tank. The valve is preset by the manufacturer and must not be removed or modified in any way.

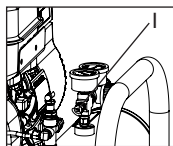
Manual Lock: The manual lock allows you to manually unload the compressor with air pressure in the air tank. To operate the manual lock:

Rotate the manual lock unloader lever to the **open** position to prevent air tank pressure buildup. Rotate manual lock unloader lever to the **closed** position after starting the engine to allow air tank pressure to build. **NOTE:** Air will not build in tank when manual lock unloader lever is in the **open** position.



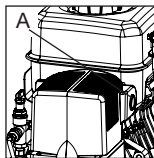
SAFETY VALVE

This valve (I) is designed to prevent system failures by relieving pressure from the system when the compressed air reaches a predetermined level. The valve is preset by the manufacturer and must not be removed or modified in any way.



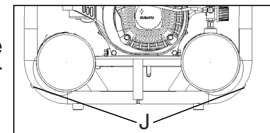
AIR INTAKE FILTER

The filter (A) is designed to clean air entering the pump. To ensure the pump continually receives a clean, cool, and dry air supply the filter must always be clean and the filter intake must be free from obstructions.



AIR TANK DRAIN VALVES

The drain valve (J) is used to remove moisture from the air tank after the air compressor is shut off.

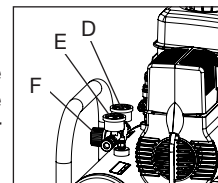


AIR TANK PRESSURE GAUGE

The air tank pressure gauge (D) indicates air pressure in the air tank.

REGULATED PRESSURE GAUGE

The regulated pressure gauge (E) indicates the air pressure available at the outlet side of the regulator. This pressure is controlled by the regulator and is always less or equal to the air tank pressure.



REGULATOR

The regulator knob (F) controls the air pressure coming from the air tank.

To Adjust Regulator:

1. Turn knob clockwise to increase regulated pressure and counterclockwise to decrease regulated pressure.

▲WARNING: Risk of Bursting. Too much air pressure causes a hazardous risk of bursting. Check the manufacturer's maximum pressure rating for air tools and accessories. The regulator outlet pressure must never exceed the maximum pressure rating.

THROTTLE CONTROL

When maximum air tank pressure is reached and the unloader valve vents air, it activates the throttle control on the engine. This gas saving feature holds the engine at a factory-set idling speed until air pressure in the air tank drops to reset pressure. The unloader valve then reactivates the throttle control and accelerates the engine to full throttle.

INSTALLATION

Assembly (Fig. 1)

INSTALLING HOSES

⚠WARNING: Risk of unsafe operation. Firmly grasp hose in hand when installing or disconnecting to prevent hose whip.

1. Ensure regulated pressure gauge reads 0 psi.
2. Apply sealant tape to hose threads.
3. Assemble hose to air outlet (G).

NOTICE: Do not assemble splitters directly to the air outlet (G).

NOTE: Assembling quick connect bodies to air outlet (G) and quick connect plugs to hose ends make connecting and disconnecting hoses simple and easy. Quick connect bodies and plugs are available for purchase from your local dealer or authorized service center.

DISCONNECTING HOSES

⚠WARNING: Risk of unsafe operation. Firmly grasp hose in hand when installing or disconnecting to prevent hose whip.

1. Ensure regulated pressure gauge reads 0 psi.
2. Remove hose(s) from air outlet(s) (G).

Lubrication and Oil

ENGINE

1. The engine was filled **WITH** oil at the manufacturer. Check engine oil level before operating unit. If necessary, fill engine to the appropriate level with recommended oil, see engine's instruction manual supplied by engine manufacturer for correct procedure.

2. Add fuel to engine. See engine's instruction manual supplied by engine manufacturer for correct procedure.

⚠WARNING: Risk of explosion or fire. Gasoline vapor is highly flammable. Refuel outdoors preferably, or only in well-ventilated areas. Do not refuel or check gasoline level while the engine is running. Do not store, spill, or use gasoline near an open flame, a source of sparks (such as welding), or near operating electrical equipment.

Compatibility

Air tools and accessories that are run off the compressor must be compatible with petroleum based products. If you suspect that a material is not compatible with petroleum products, an air line filter for removal of moisture and oil vapor in compressed air is required.

NOTICE: Always use an air line filter to remove moisture and oil vapor when spraying paint.

Location

⚠DANGER: Risk of breathing. Exhaust from the gasoline engine contains deadly carbon monoxide, which is odorless and toxic. Operate engine only in well ventilated areas.

NOTICE: Risk of property damage. In order to avoid damaging the air compressor, do not allow the unit to be tilted more than 10° when operating.

Place air compressor at least 4 feet (1.2 m) away from obstacles that may prevent proper ventilation. Keep unit away from areas that have dirt, vapor and volatile fumes in the atmosphere which may clog and gum up the intake filter and valves, causing inefficient operation.

NOISE CONSIDERATIONS

Consult local officials for information regarding acceptable noise

levels in your area. To reduce excessive noise, use vibration mounts or silencers, relocate the unit or baffle walls. Contact a DEWALT service center or call 1-888-895-4549 for assistance.

TRANSPORTING

⚠WARNING: Risk injury from lifting. Unit weighs more than 70 lbs. (77.6 kg) Do not move or lift without assistance.

NOTICE: Risk of property damage. Place engine fuel valve lever (M) in the OFF position before moving or transporting unit.

When transporting the compressor in a vehicle, trailer, etc. ensure that the air tank is drained and the unit is secured and placed on a protective mat on a flat horizontal surface. **DO NOT** store in a standing position.

NOTE: Should the unit tip over, hard starting and smoking will occur due to oil spillage.

PREPARATION FOR USE

Pre-Start Checklist (Fig. 1)

1. Ensure engine ON/OFF switch (C) is in the OFF position.
2. Ensure air tank is drained, see **Draining Air Tank** under **Maintenance**.
3. Ensure the drain valve (J) is closed.
4. Ensure safety valve (I) is functioning properly, see **Checking Safety Valve** under **Maintenance**.

NOTICE: Do not operate without oil or with inadequate oil. DEWALT is not responsible for compressor failure caused by inadequate oil.

5. Check engine's oil and fuel level, see engine's instruction manual for correct procedures.
6. Ensure all guards, covers, and labels are in place, legible (for labels) and securely mounted. Do not use compressor until all items have been verified.

Initial Set-up (Fig. 1)

⚠WARNING: Do not operate this unit until you read and understand this instruction manual and the engine instruction manual for safety, operation and maintenance instructions.

BREAK-IN PROCEDURE

NOTICE: Risk of property damage. Serious damage may result if the following break-in instructions are not closely followed.

This procedure is required:

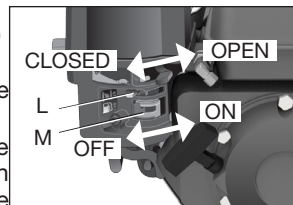
- Before the air compressor is used for the first time.
- When the unloader valve has been replaced.

The procedure:

1. Follow **Pre-Start Checklist** under **Preparation for Use**.
2. Rotate the unloader's manual lock to the **open** position to prevent air tank pressure buildup.
3. Open the pressure regulator. Rotate clockwise until it stops.

⚠WARNING: Do not operate this unit until you read and understand the engine instruction's manual for safety, operation and maintenance instructions.

4. Prepare engine for first time use, see engine's instruction manual for correct procedure.
5. Turn the engine ON/OFF switch (C) to the ON position.
6. Place the fuel valve lever (M) in the ON position.
7. If the engine is cold, move the choke (L) to the CLOSED position as shown. If the engine is hot, move the choke to the OPEN position.



⚠WARNING: Risk of unsafe operation. Pull starter grip slowly until resistance is felt. Then pull starter grip (N) rapidly to avoid

kickback and prevent hand or arm injury.

NOTICE: Do not allow the starter grip to snap back. Return it gently by hand.

NOTE: If the engine does not start, check the oil level and add oil as needed.

NOTE: To ensure maximum oil lubrication, place the unit on a level surface.

8. As the engine warms up, move the choke to the OPEN position.
9. Rotate the manual lock on the unloader valve into the **closed** position so the air tank pressure can build.
10. Close the pressure regulator. Rotate the regulator knob (F) counterclockwise to its built-in stop. This will allow air to build pressure in the air tank.
11. Compressed air will be available from the hose air outlet until it is used up or bled off.

OPERATING PROCEDURES

Start-up (Fig. 1)

1. Follow **Pre-Start Checklist** under *Preparation for Use*.
2. Turn the regulator knob (F) counterclockwise until fully closed. Regulated pressure gauge should read 0 psi.
3. Rotate the manual lock unloader lever to the **open** position to assist with start up.
4. Turn the engine ON/OFF switch (C) to the ON position.
5. Place the fuel valve lever (M) in the ON position.
6. If the engine is cold, move the choke (L) to the CLOSED position as shown. If the engine is hot, move the choke to the OPEN position.

⚠WARNING: Risk of unsafe operation. Pull starter grip slowly until resistance is felt. Then pull starter grip (N) rapidly to avoid kickback and prevent hand or arm injury.

NOTICE: Do not allow the starter grip to snap back. Return it gently by hand.

NOTE: If the engine does not start, check the oil level and add oil as needed.

NOTE: To ensure maximum oil lubrication, place the unit on a level surface.

7. As the engine warms up, move the choke to the OPEN position.
8. Rotate manual lock unloader lever to the **closed** position to allow air tank pressure to build. **NOTE:** Pump will not operate with the manual lock unloader lever in the **open** position.
9. Allow compressor to pump up to **blow off** pressure.

⚠WARNING: Risk of unsafe operation. If any unusual noise or vibration is noticed, stop the compressor and refer to the troubleshooting section.

10. Attach hose and accessory.

⚠WARNING: Risk of unsafe operation. Firmly grasp air hose in hand when installing or disconnecting to prevent hose whip.

⚠WARNING: Risk of unsafe operation. Do not use damaged or worn accessories.

NOTICE: Risk of property damages. Compressed air from the unit may contain water condensation and oil mist. Do not spray unfiltered air at an item that could be damaged by moisture. Some air operated tools or devices may require filtered air. Read the instructions for the air tool or device.

11. Adjust regulator (F) to desired setting. See **Regulator** under *Features*.

Shut-down

1. Place the engine ON/OFF switch (C) to the OFF Position.
2. Place the fuel valve lever (M) in the OFF position.

NOTE: If finished using compressor, follow Steps 3–7.

3. Turn regulator knob (F) counterclockwise until fully closed. Ensure regulated pressure gauge reads 0 psi.
4. Remove hose and accessory.
5. Drain the air tank. See **Draining Air Tank** under *Maintenance*.

NOTICE: Risk of property damage. Place engine fuel valve lever (M) in the OFF position before moving or transporting unit.

▲WARNING: Risk of bursting. Drain air tank daily. Water will condense in air tank. If not drained, water will corrode and weaken the air tank causing a risk of air tank rupture.

6. Allow the compressor to cool down.
7. Wipe air compressor clean and store in a safe, non freezing area.

MAINTENANCE

▲WARNING:The following procedures must be followed when maintenance or service is performed on the air compressor.

1. Ensure engine ON/OFF switch (C) is in the OFF position.
2. Disconnect spark plug wire.
3. Drain air tank.
4. Allow air compressor to cool down before starting service

NOTE: All compressed air systems contain maintenance parts (e.g. oil, filters, separators) that are periodically replaced. These used parts may contain substances that are regulated and must be disposed of in accordance with local, state, and federal laws and regulations.

NOTE: Take note of the positions and locations of parts during disassembly to make reassembly easier.

NOTE: Any service operations not included in this section should be performed by a DEWALT factory service center or a DEWALT authorized service center.

Maintenance Chart

Procedure	Daily	Weekly	Monthly	1 year or 200 Hours	See tank warning label
Check safety valve	X				
Inspect air filter		X +			
Drain air tank	X				
Oil leak inspection	X				
Check for unusual noise/vibration	X				
Check for air leaks	X*				
Clean compressor exterior		X			
Remove tank from service					X ⁺⁺
Engine	See engine instruction manual.				
* To check for air leaks apply a solution of soapy water around joints. While compressor is pumping to pressure and after pressure cuts out, look for air bubbles to form.					
+ Perform more frequent in dusty or humid conditions.					
++ For more information, call 1-888-895-4549					

Checking Safety Valve (Fig. 1)

▲WARNING: Hot surfaces. Risk of burn. Pump head, and surrounding parts are very hot, do not touch (see the Hot Surfaces identified in Fig. 2). Allow compressor to cool prior to servicing.

▲WARNING: Risk of bursting. If the safety valve does not work properly, over-pressurization may occur, causing air tank rupture or an explosion.

▲WARNING: Risk from flying objects. Always wear certified safety

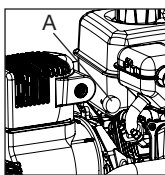
equipment: ANSI Z87.1 eye protection (CAN/CSA Z94.3) with side shields when using the compressor.

Before starting compressor, pull the ring on the safety valve to make sure that the safety valve operates freely. If the valve is stuck or does not operate smoothly, it must be replaced with the same type of valve.

Checking Air Filter Element (Fig. 1)

⚠WARNING: Hot surfaces. Risk of burn. pump head, and surrounding parts are very hot, do not touch (see the Hot Surfaces identified in Fig. 2). Allow compressor to cool prior to servicing.

1. Ensure engine ON/OFF switch (C) is in the OFF position.
2. Allow unit to cool.
5. Remove filter (A).
6. If filter needs cleaning, blow out with air. Replace if needed. Purchase replacement parts from your local dealer or authorized service center. Always use identical replacement parts.
7. Place filter back in filter base.



NOTICE: Risk of unsafe operation. Do not operate without air inlet filter.

Draining Air Tank (Fig. 1)

⚠WARNING: Risk of unsafe operation. Air tanks contain high pressure air. Keep face and other body parts away from outlet of drain. Use eye protection [ANSI Z87.1 (CAN/CSA Z94.3)] when draining as debris can be kicked up into face.

⚠WARNING: Risk from noise. Use ear protection (ANSI S12.6 (S3.19) as air flow noise is loud when draining.

NOTE: All compressed air systems generate condensation that accumulates in any drain point (e.g., tanks, filter, aftercoolers, dryers). This

condensate contains lubricating oil and/or substances which may be regulated and must be disposed of in accordance with local, state, and federal laws and regulations.

1. Ensure engine ON/OFF switch (C) is in the OFF position.
2. Turn the regulator counterclockwise to set the outlet pressure to zero.
3. Remove the air tool or accessory.
4. Pull ring on safety valve allowing air to bleed from the tank until tank pressure is approximately 20 psi. Release safety valve ring.
5. Drain water from air tank by opening drain valve (counterclockwise) on bottom of tank.

⚠WARNING: Risk of bursting. Water will condense in the air tank. If not drained, water will corrode and weaken the air tank causing a risk of air tank rupture.

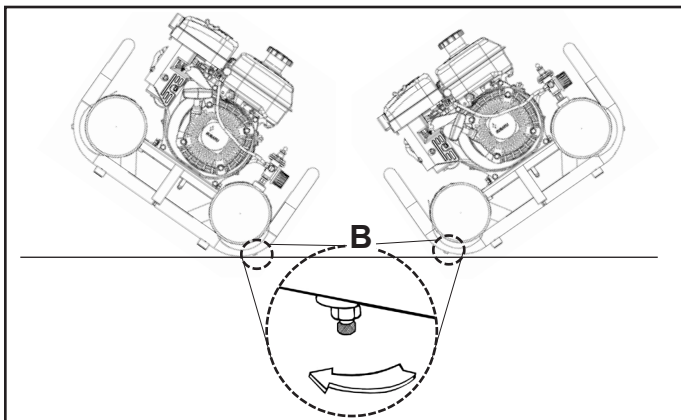
NOTICE: Risk of property damage. Drain water from air tank may contain oil and rust which can cause stains.

6. After the water has been drained, close the drain valve (clockwise). The air compressor can now be stored.

NOTE: If drain valve is plugged, release all air pressure. The valve can then be removed, cleaned, then reinstalled.

NOTE: Tilt unit to drain tanks (B).

NOTE: In cold climates, drain the tanks after each use to reduce problems with freezing of water condensation.



ACCESSORIES

Recommended accessories for use with your tool are available for purchase from your local dealer or authorized service center. If you need assistance in locating any accessory for your tool, please call 1-888-895-4549 or visit our website www.dewalt.com.

⚠WARNING: *The use of any other accessory not recommended for use with this tool could be hazardous. Use only accessories rated equal to or higher than the rating of the air compressor.*

SERVICE INFORMATION

Please have the following information available for all service calls:
 Model Number _____ Serial Number _____
 Date and Place of Purchase _____

Repairs

To assure product SAFETY and RELIABILITY, repairs, maintenance and adjustment should be performed by a DEWALT factory service center, a DEWALT authorized service center or other qualified service personnel. Always use identical replacement parts.

Limited Warranty

DEWALT Industrial Tools are warranted from date of purchase.

1 Year – Limited on all oil-free compressors. This warranty is not transferable to subsequent owners.

DEWALT will repair or replace, without charge, at DEWALT's option, any defects due to faulty materials or workmanship. For further detail of warranty coverage and warranty repair information, call 1-(888)-895-4549 or visit dewalt.com. This warranty does not apply to accessories or damage caused where repairs have been made or attempted by others. This warranty also does not apply to merchandise sold by DEWALT which has been manufactured by and identified as the product of another company, such as gasoline engines. Such manufacturer's warranty, if any, will apply. **ANY INCIDENTAL, INDIRECT OR CONSEQUENTIAL LOSS, DAMAGE OR EXPENSE THAT MAY RESULT FROM ANY DEFECT, FAILURE OR MALFUNCTION OF THE PRODUCT IS NOT COVERED BY THIS WARRANTY.** Some states do not allow the exclusion of limitation of incidental or consequential damages, so the above limitation or exclusion may not apply to you. **IMPLIED WARRANTIES, INCLUDING THOSE OF MERCHANTABILITY OR FITNESS FOR A PARTICULAR PURPOSE, ARE LIMITED TO ONE YEAR FROM THE DATE OF ORIGINAL PURCHASE.** Some states do not allow limitations on how long an implied warranty lasts, so the above limitations may not apply to you.

What the Company Will Do: (the company) will cover parts and labor to remedy substantial defects due to materials and workmanship during the first year of ownership, with the exceptions noted below. Parts used in repair of whole goods or accessories are warranted for the balance of the original warranty period.

What is not covered Under This Warranty? Failures by the original retail purchaser to install, maintain, and operate said equipment in accordance with standard industry practices. Modifications to the product, or tampering with components, or failure to comply with the specific recommendations of the Company set forth in the owner's manual, will render this warranty null and void. The Company shall not be liable for any repairs, replacements, or adjustments to the equipment, or any costs for labor performed by the purchaser without the Company's prior written approval. The effects of corrosion, erosion, surrounding environmental conditions, cosmetic defects, and routine maintenance items, are specifically excluded from this warranty. Routine maintenance items such as: oil, lubricants, and air filters, as well as changing oil, air filters, belt tensioning, etc... fall under the owner's responsibility. Additional exclusions include: freight damage, failures resulting from neglect, accident, or abuse, induction motors when operated from a generator, oil leaks, air leaks, oil consumption, leaky fittings, hoses, petcocks, bleeder tubes, and transfer tubes.

- The following components are considered normal wear items and are not covered after the first year of ownership: Belts, sheaves, flywheels, check valves, pressure switches, air unloaders, throttle controls, electric motors, brushes, regulators, o-rings, pressure gauges, tubing, piping, fittings, fasteners, wheels, quick couplers, gaskets, seals, air filter housings, piston rings,

connecting rods, and piston seals.

- Labor, service calls, and travel charges, are not covered after the first year of ownership on stationary compressors (compressors without handles, or wheels). Repairs requiring overtime, weekend rates, or any other charges beyond the standard shop labor rate are not covered.
- Time required for orientation training for the service center to gain access to the product, or additional time due to inadequate egress.
- Damage caused from inadequate filter maintenance.
- Pump wear or damage caused by any oil contamination.
- Pump wear or valve damage caused by failure to follow proper maintenance guidelines.
- Gas Engines, if product is equipped with a gas engine, see engine manual for specific engine manufacturer's warranty coverage.

Parts purchased separately: The warranty for parts purchased separately such as: pumps, motors, etc., are as follows:

From Date of Purchase

- | | |
|--|---------|
| • All single & two stage pumps | 1 year |
| • Electric motors | 90 days |
| • Universal motor/pump | 30 days |
| • All other parts | 30 days |
| • No return authorization will be issued for electrical components once items are installed. | |

How do You Get Service? In order to be eligible for service under this warranty you must be the original retail purchaser,

and provide proof of purchase from one of the Company's dealers, distributors, or retail outlet stores. Portable compressors or components must be delivered, or shipped, to the nearest Authorized Service Center. All associated freight costs and travel charges must be borne by the consumer. Please call our toll free number 1-888-895-4549 for assistance.

THIS WARRANTY GIVES YOU SPECIFIC LEGAL RIGHTS, AND YOU MAY ALSO HAVE OTHER RIGHTS WHICH VARY FROM STATE TO STATE.

THE COMPANY MAKES NO OTHER WARRANTY OR REPRESENTATION OF ANY KIND WHATSOEVER, EXPRESSED OR IMPLIED, EXCEPT THAT OF TITLE. ALL IMPLIED WARRANTIES, INCLUDING ANY WARRANTY OF MERCHANTABILITY AND FITNESS FOR PARTICULAR PURPOSE ARE HEREBY DISCLAIMED. LIABILITY FOR CONSEQUENTIAL AND INCIDENTAL DAMAGES UNDER ANY AND ALL WARRANTIES, OTHER CONTRACTS, NEGLIGENCE, OR OTHER TORTS IS EXCLUDED TO THE EXTENT EXCLUSION IS PERMITTED BY LAW.

FREE WARNING LABEL REPLACEMENT: If your warning labels become illegible or are missing, call 1-888-895-4549 for a free

<p>WARNING</p> <p> Before starting, read and understand operator manual for safe operation and maintenance. For replacement manual write to: Compressor Service, 118 West Hook Street, Springfield, MA 01107.</p> <p> Risk of fire or explosion - Gasoline vapor is highly flammable. Refuel outdoors or in a well-ventilated area. • DO NOT spray flammable liquid in a confined area or towards a hot surface. • Spray area must be well-ventilated. • DO NOT smoke while spraying or spray where spark or flame is present. • Always park. Keep compressor at least 20 feet away from explosive vapors, such as when spraying with a spray gun.</p> <p> Risk of carbon monoxide poisoning - Engine produces deadly exhaust. DO NOT run compressor in enclosed area.</p>		<p>Risk of bursting - Do not adjust regulator to result in output pressure greater than marked maximum pressure of attachment. • RUSTY WAKINGS TANK, may cause explosion and severe or fatal injury/property damage. Drain condensed water or tank after each use to reduce rusting. • DO NOT use water to repair or replace.</p> <p>Risk of injury - DO NOT direct air stream at people. • DO NOT operate with supplied gauges removed. • Disconnect splashlock and drain all air pressure from tank before servicing and after each use. DO NOT use compressed air for breathing. Wear eye protection.</p> <p>UNLOADER VALVE START REWINDS.</p>
<p>AVERTISSEMENT</p> <p> Avant de faire fonctionner, lisez et comprenez le manuel d'opérateur pour assurer le fonctionnement et l'entretien. Pour obtenir un manuel de remplacement, écrivez à: Compressor Service, 118 West Hook St., Springfield, MA 01107.</p> <p>Risques d'incendie ou d'explosion - Les vapeurs de gasoline sont extrêmement inflammables. Remplissez le réservoir de carburant à l'extérieur ou dans un endroit bien aéré. • Ne pas vaporiser de liquides inflammables dans un endroit confiné ou vers un appareil chaud. • Ne fumez ou ne se fait de la vaporisation devant elle bien ventilée. • Ne pas fumer lors de la vaporisation ni vaporiser en présence d'étincelles de barrière. • Côté appareil produit des arcs électriques-fluores -Fluores à compressor à au moins 7 m (20 ft) de vagues explosives, comme lors de la vaporisation au pistolet.</p> <p>Risques d'empoisonnement par oxyde de carbone - Le moteur produit des gaz d'échappement mortels. Ne faites jamais fonctionner la machine dans un endroit clos.</p>		<p>Risque d'éclatement-Ne pas régler le régulateur de pression de sortie à une pression supérieure à la pression maximale indiquée pour l'accessoire. • ROUILLE S'AFFAIBLIR DU DÉSÉVIER, causer l'explosion et des blessures ou la mort/dommages matériels. Purgez l'eau condensée du réservoir après chaque utilisation réduire rouille. • Ne jamais respirer ou souder le récepteur d'air-embouche.</p> <p>Risque de blessure-Ne pas diriger le jet d'air vers l'opérateur. • Débranchez le fil de la bougie d'allumage et déconnecter toute la pression d'air du réservoir avant d'entretenir le compresseur et après chaque usage. • Ne jamais faire fonctionner le modèle sans le protecteur de course. • Le produit par un compresseur n'est pas respirable. • Porter des lunettes de protection.</p> <p>VALVE DE DÉCHARGE DÉMARRAGE FONCTIONNANT</p>
<p>ADVERTENCIA</p> <p> Antes de arrancar la unidad, lea y entienda el manual del operador para la operación y mantenimiento segura. Para obtener un manual nuevo escriba: Compressor Service, 118 West Hook Street, Springfield, MA 01107.</p> <p>Risgo de incendio o explosión-El vapor de gasolina es altamente inflamable. Llene el combustible al aire, o en un área bien ventilada. • No vaporice líquidos inflamables dentro de una zona cerrada o hacia una superficie caliente. • La zona de rodado debe estar bien ventilada. • Nunca fume al estar en la presencia de una chispa o llama. • Este unidad produce arcos eléctricos-Mantenga el compresor por lo menos 7 m de los vapores explosivos, como cuando rocíalo con un pistola de rociar.</p> <p>Risgo de envenenamiento con monóxido de carbono-El motor produce los nocivos gases de escape. Nunca se debe hacer funcionar la unidad en un área cerrada.</p>		<p>Riesgo de estallido-NUNCA ajuste el regulador de modo que la presión de salida sea mayor que la presión máxima marcada en el adalanteo. • HERRUMBRE DEBILITA EL TANQUE, podría así como resultado la explosión y graves lesiones o muerte/cálculo a la propiedad. Purgue la agua condensada del tanque después de cada uso para reducir herrumbamiento. • Nunca respire ni sople el tanque de aire-embocadura.</p> <p>Riesgo de lesiones-Nunca dirija la corriente de aire hacia el operador. • Desconecte la unidad en los diferentes momentos. • Desconecte el cable de bujía y desiste toda la presión de aire del tanque antes de realizar el servicio a este compresor y después de cada uso. • El aire comprimido no es apto para respiración. • Lleve lentes de seguridad.</p> <p>VALVULA DE DESCARGA ARRANQUE FUNCIONANDO</p>
<p>⚠ DANGER</p> <p>Using a portable engine driven compressor outdoors CAN KILL YOU! WARNING: Gasoline engine exhaust contains carbon monoxide. This is a silent poison you cannot see or smell.</p> <p>NEVER use inside a home or garage. EVEN if doors and windows are open.</p> <p>NE JAMAIS utiliser à l'intérieur d'une maison ou d'un garage. MÊME si les portes et les fenêtres sont ouvertes. N'UTILISEZ pas à l'intérieur d'une maison ou d'un garage. MÊME si les portes et les fenêtres sont ouvertes.</p> <p>088-2276-01</p>	<p>⚠ DANGER</p> <p>L'utilisation d'un compresseur alimenté avec un moteur à essence à l'extérieur PEUT VOUS TUEZ! AVERTISSEMENT: L'échappement d'un moteur à essence contient du monoxyde de carbone. C'est un poison invisible et inodore.</p> <p>NE JAMAIS utiliser à l'intérieur d'une maison ou d'un garage. MÊME si les portes et les fenêtres sont ouvertes.</p> <p>088-2276-01</p>	<p>⚠ PELIGRO</p> <p>Usar un compresor motorizado alimentado con un motor a gasolina MATEMÁTICAMENTE LE PUEDE MATAR! ADVERTENCIA: El humo de escape del motor a gasolina contiene monóxido de carbono. Es un veneno que no puedes ver o oler.</p> <p>NEVER use inside a home or garage. EVEN if doors and windows are open.</p> <p>Use only OUTSIDE and far away from windows, doors and vents.</p> <p>Utilizar sólo a l'EXTERIOR, a furt de les fenestres, de les portes et des ouvertures d'aération.</p> <p>Utilizar sólo en el EXTERIOR, lejos de las ventanas, puertas y ventallas.</p> <p>088-2276-01</p>
<p>WARNING: CONTAINS LEAD. May be harmful if eaten or inhaled. May generate dust containing lead. Wash hands after use. Keep out of reach of children.</p> <p>WARNING: This product can expose you to chemicals including lead, which is known to the State of California to cause cancer and birth defects or reproductive harm. For more information go to www.cdph.ca.gov.</p> <p>AVERTISSEMENT: CONTIENT DU PLOMB. Peut être nocif s'il est ingéré ou inhalé. Peut générer du poussière contenant du plomb. Se laver les mains après utilisation. Garder hors de la portée des enfants.</p> <p>AVERTISSEMENT: Ce produit pourrait vous exposer à des produits chimiques, y compris Plomb, reconnu par l'Etat de la Californie comme cause de cancer et de malformations congénitales ou des problèmes de fertilité de reproduction. Pour obtenir plus d'informations, visitez www.cdph.ca.gov.</p> <p>AVERTISSEMENT: CONTIENE PLOMB. Puede ser dañino si se ingiere o se inhala. Puede generar polvo que contiene plomo. Lávese las manos después de su uso. Manténgalo lejos de alcance de los niños.</p> <p>AVERTENCIA: Este producto lo podrá exponer a productos químicos incluyendo Plomo, reconocido por el Estado de California como causante de cáncer, alteraciones de reproducción e hijos defectivos de nacimiento. Para obtener más información, visite www.cdph.ca.gov.</p>		

GLOSSARY

CFM: Cubic feet per minute.

SCFM: Standard cubic feet per minute; a unit of measure of air delivery.

PSI: Pounds per square inch; a unit of measure of pressure.

Code Certification: Products that bear one or more of the following marks: UL[®], CUL, ETL[®], CETL, have been evaluated by OSHA certified independent safety laboratories and meet the applicable Standards for Safety.

** UL[®] is a registered trademark of Underwriters Laboratories and ETL[®] is a registered trademark of Electrical Testing Laboratories.*

California Code: Unit may comply with California Code 462 (I) (2)/(M) (2). Specification/model label is on the side of the air tank on units that comply with California Code.

Unloader Blow-Off Pressure: All models are continuous running units controlled by air tank pressure. When the maximum air tank pressure is obtained, the unloader valve will blow-off. This will cause the compressor to exhaust the air to the atmosphere and not the tank. This decreases the load on the engine and allows it to run at a near no-load condition.

Unloader Reset Pressure: When the air tank pressure drops to a predetermined point, the unloader valve closes. The air tank pressure will now increase until it reaches the unloader blow-off pressure.

Troubleshooting Guide

This section provides a list of the more frequently encountered malfunctions, their causes and corrective actions. The operator or maintenance personnel can perform some corrective actions, and others may require the assistance of a qualified DEWALT technician or your dealer.

Problem	Code
Excessive air tank pressure-safety valve pops off	1
Air leaks	2
Continuous air leak at unloader valve	3
Air leaks in air tank or at air tank welds	4
Air leaks between head and valve plate.....	5
Air leaks from safety valve.....	6
Compressor is not supplying enough air to operate accessories	2, 7, 8, 9, 10, 12, 13
Restricted air intake.....	12
Excessive vibration	13
Knocking Noise	6, 13
Engine will not run	14, 15, 16, 21
Pressure reading on the regulated pressure gauge drops when an accessory is used.....	17
Regulator knob has continuous air leak	18
Regulator will not shut off air outlet	18
Pump will not run.....	19
Air tank pressure will not build	19, 20

Troubleshooting Codes

CODE	POSSIBLE CAUSE	POSSIBLE SOLUTION
1	Unloader valve does not release pressure when air tank reaches blow-off pressure	Unloader valve must be replaced. Contact a DEWALT factory service center or a DEWALT authorized service center.
2	Fittings are not tight	Tighten fittings where air can be heard escaping. Check fittings with soapy water solution. DO NOT OVERTIGHTEN.
3	Defective unloader valve	Turn off engine, rotate manual lock unloader lever to the closed perpendicular position. If air leaks out of air tank through unloader valve, replace unloader valve.
4	Defective air tank	Air tank must be replaced. Do not repair the leak. ⚠WARNING: Risk of bursting. Do not drill into, weld or otherwise modify air tank or it will weaken. The air tank can rupture or explode.
5	Leaking seals	Contact a DEWALT factory service center or a DEWALT authorized service center.
6	Defective safety valve	Operate safety valve manually by pulling on ring. If valve still leaks, it must be replaced.
7	Prolonged excessive use of air	Decrease amount of air usage.
8	Compressor is not large enough for accessory	Check the accessory air requirement. If it is higher than the SCFM or pressure supplied by your air compressor, a larger compressor is needed to operate accessory.
9	Hole in air hose	Check and replace air hose, if required.
10	Unloader valve restricted	Remove, clean or replace.
11	Unit operating in damp or humid conditions	Move unit to a dry well ventilated area.
12	Restricted air intake filter	Clean or replace air intake filter.

CODE	POSSIBLE CAUSE	POSSIBLE SOLUTION
13	Engine mounting bolts are loose	Tighten mounting screws. Torque engine mounting bolts to 10–20 ft.-lbs. (13.5–27.1 Nm). ⚠WARNING: <i>Risk of bursting. Excessive vibration could weaken the air tank and cause it to rupture or explode. Mounting screws must be kept tightened.</i>
14	Air tank pressure is too high	Open the regulator and reduce air tank pressure to less than 40 psi.
15	Engine problem	Contact a DEWALT factory service center or a DEWALT authorized service center.
16	Engine oil is low	See engine instruction manual.
17	It is normal for some pressure drop to occur	If there is an excessive amount of pressure drop when the accessory is used, adjust the regulator as instructed in Regulator under Features . NOTE: Adjust the regulated pressure under flow conditions while accessory is being used.
18	Damaged regulator	Replace.
19	Manual lock unloader lever in open position	Rotate manual lock unloader lever to the closed perpendicular position.
20	Regulator open	Rotate the regulator knob counterclockwise to its built-in stop.
21	Engine fuel tank empty	Add gasoline, see engine's instruction manual for correct procedure.

Compresseur d'air

- A. Filtre d'admission d'air de la pompe
- B. Filtre d'admission d'air du moteur
- C. Commutateur marche/arrêt du moteur
- D. Manomètre du réservoir d'air
- E. Manomètre réglé
- F. Régulateur de pression
- G. Sortie d'air
- H. Soupape de décompression
- I. Soupape de sûreté
- J. Soupape de purge du réservoir d'air
- K. Étrangleur fixe
- L. Commande d'étrangleur
- M. Levier du robinet à essence
- N. Poignée du démarreur

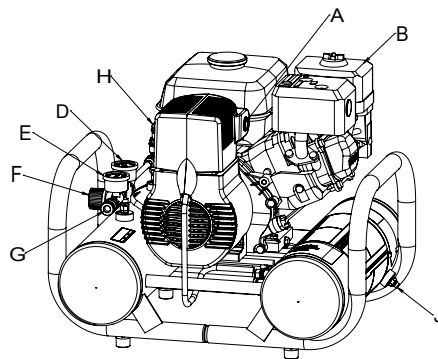
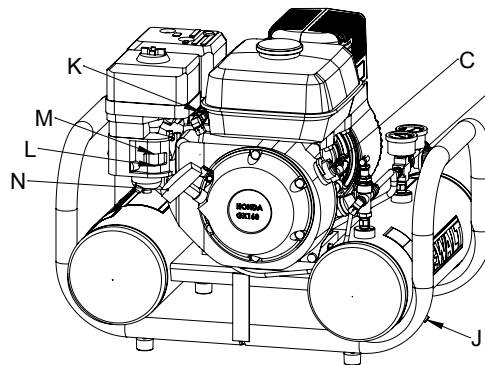
Caractéristiques techniques de la pompe

Sans huile
Mono-étagée
Commande directe

Caractéristiques techniques du moteur

Honda 163 cc
Combustion interne
4 temps

FIG. 1



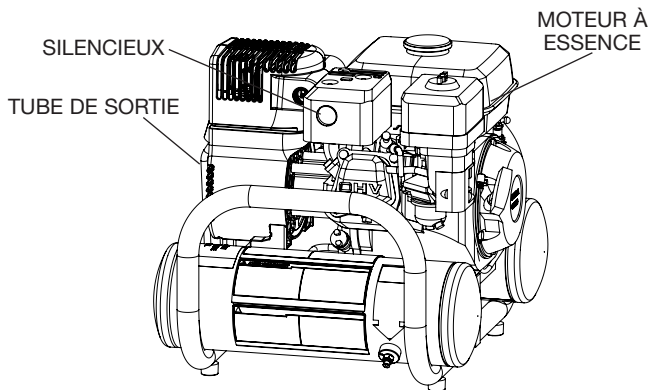
Unité de réelles peuvent varier légèrement.

Fiche technique

MODÈLE	DXCMTA5590412
POIDS	42,2 kg (93 livres)
HAUTEUR	561 mm (22,1 po)
LARGEUR	549 mm (21,6 po)
LONGUEUR	620 mm (24,4 po)
CAPACITÉ DU RÉSERVOIR D'AIR	15,1 liters (4 gallons)
ENV. PRESSION DE DÉCLENCHEMENT	155 psi
VALEURS TYPES P1 ³ /MIN STANDARD À 90 psi	5,0 *
* Testé conformément à la norme ISO 1217	

Surfaces chaudes

FIG. 2



Définitions : lignes directrices en matière de sécurité

Les définitions ci-dessous décrivent le niveau de gravité pour chaque symbole. Veuillez lire le mode d'emploi et porter une attention particulière à ces symboles.

⚠ DANGER : Indique une situation dangereuse imminente qui, si elle n'est pas évitée, causera la mort ou des blessures graves.

⚠ AVERTISSEMENT : Indique une situation potentiellement dangereuse qui, si elle n'est pas évitée, pourrait se solder par un décès ou des blessures graves.

⚠ ATENCIÓN : Indique une situation potentiellement dangereuse qui, si elle n'est pas évitée pourrait se solder par des blessures mineures ou modérées.

AVIS : Indique une pratique ne posant aucun risque de dommages corporels mais qui par contre, si rien n'est fait pour l'éviter, pourrait poser des risques de dommages matériels.

POUR TOUTES QUESTIONS OU COMMENTAIRES RELATIFS(ES) À L'OUTIL OU À PROPOS DE TOUT AUTRE OUTIL DEWALT, COMPOSER SANS FRAIS LE : 1-888-895-4549

Directives de sécurité importantes

⚠ DANGER : Monoxyde de carbone. Le fonctionnement d'un moteur à l'intérieur vous tuera en quelques minutes. L'échappement du moteur contient des niveaux élevés de monoxyde de carbone (CO), un gaz toxique, inodore et invisible. Il est possible que vous inhaliez du CO même EN L'ABSENCE de l'odeur de l'échappement du moteur.

- **NE JAMAIS** utiliser un moteur à l'intérieur d'une habitation, d'un garage, d'un vide sanitaire ou de tout espace partiellement clos. Ces endroits peuvent accumuler des niveaux mor-

tels de monoxyde de carbone. L'utilisation d'un ventilateur ou l'ouverture des fenêtres et portes **NE FOURNIT** pas assez d'air frais.

- Utiliser **UNIQUEMENT** à l'extérieur et loin de fenêtres, portes et événements ouverts. En effets, ces ouvertures peuvent aspirer l'échappement du moteur à l'intérieur d'un espace.
- Même lors de l'utilisation correcte du moteur, le CO pourrait pénétrer dans votre maison. **TOUJOURS** utiliser un avertisseur de CO alimenté à pile ou un avertisseur de CO de secours à pile (non fourni) dans la maison. **Lire et respecter toutes les directives de l'avertisseur de CO avant son utilisation.** En cas de malaise, d'étourdissement ou de faiblesse, à tout moment, se déplacer à l'air frais immédiatement. Consulter un médecin. Ce sont des signes d'intoxication par le monoxyde de carbone.

⚠AVERTISSEMENT : Ne pas utiliser l'appareil avant d'avoir lu le mode d'emploi, et celui du moteur ainsi que l'intégralité des directives de sécurité, d'utilisation et d'entretien.

⚠AVERTISSEMENT : Il est possible que le produit ne soit pas doté d'un silencieux avec pare-étincelles. Si le produit n'en est pas doté et qu'il est destiné à être utilisé près de matières inflammables ou sur un terrain cultivé ou couvert d'arbres, arbustes, herbes ou autres matières similaires, alors l'installation d'un pare-étincelles homologué est obligatoire et exigée par la loi dans l'État de Californie. L'absence de pare-étincelles est en violation des articles 130050 et/ou articles 4442 et 4443 du California Public Resources Code, à moins que le moteur ne soit muni d'un pare-étincelles comme stipulé à l'article 4442 et tenu en bon état de fonctionnement. Les pare-étincelles sont exigés sur certaines terres du Service des forêts américain et peuvent être également exigés par d'autres législations ou ordonnances.

⚠AVERTISSEMENT: CONTIENT DU PLOMB. Peut être nocif s'il est ingéré ou mâché. Peut générer de la poussière contenant du plomb. Se laver les mains après usage. Garder hors de la portée des enfants.

⚠AVERTISSEMENT : Ce produit pourrait vous exposer à des produits chimiques, y compris Plomb, reconnu par l'État de Californie comme cause de cancer, malformations congénitales ou autres problèmes du système de reproduction. Pour obtenir plus d'information, visitez www.P65Warnings.ca.gov.

⚠AVERTISSEMENT : Certaines poussières contiennent des produits chimiques reconnus par l'État de la Californie comme cancérigènes et pouvant entraîner des anomalies congénitales et d'autres problèmes liés aux fonctions reproductrices, tels que l'amiante et le plomb contenus dans les peintures au plomb.

CONSERVER CES DIRECTIVES



⚠DANGER : RISQUE D'EXPLOSION OU D'INCENDIE

CE QUI PEUT SE PRODUIRE

- L'essence renversée et ses vapeurs peuvent s'enflammer à partir d'étincelles de cigarettes, d'arcs électriques, de gaz d'échappement et de composants chauds du moteur comme le silencieux.

COMMENT L'ÉVITER

- Éteindre le moteur et le laisser refroidir avant de faire l'appoint d'essence.
- Être attentif et éviter de déverser de l'essence lors du remplissage du réservoir. Déplacer l'appareil hors de la zone de remplissage avant de démarrer le moteur.

- Le combustible du réservoir se dilate sous l'effet de la chaleur et pourrait se solder par un déversement et un incendie ou une explosion.
- **Les matériaux combustibles qui touchent les pièces chaudes du moteur risquent de s'enflammer.**
- Pour permettre l'effet de dilatation, laisser 12,7 mm (1/2 po) de dégagement sous le bord du goulot de remplissage lors du plein d'essence.
- Faire le plein d'essence à l'extérieur dans une zone bien aérée. S'assurer de l'absence de source d'inflammation près de la zone de ravitaillement, comme des cigarettes.
- Utiliser le compresseur dans une zone propre, sèche et bien aérée à une distance d'au moins 1,22 mètres (48 po) de tout édifice, objet ou mur. Ne pas utiliser l'appareil à l'intérieur ou dans un endroit exigü.
- L'utiliser uniquement dans un endroit ouvert loin de broussailles ou d'herbes sèches ou de tout autre matériel combustible.
- De l'essence mal entreposée pourrait provoquer un allumage (incendie) accidentel. Ranger l'essence de façon sécuritaire pour en empêcher l'accès aux enfants et à toutes autres personnes non qualifiées.
- Entreposer l'essence dans un contenant homologué par l'OSHA (Santé et sécurité du travail) dans un emplacement sécuritaire loin de la zone de travail.

- **Le fonctionnement de ce produit sans surveillance pourrait se solder par des blessures personnelles ou des dommages à la propriété. Afin de réduire le risque d'incendie, ne pas laisser le compresseur fonctionner sans surveillance.**

- Être toujours présent lorsque le produit est en marche.



⚠ DANGER : RISQUE D'ASPHYXIE

CE QUI PEUT SE PRODUIRE

- L'inhalation de gaz d'échappement provoquera de graves blessures voire un décès ! Les gaz d'échappement des moteurs contiennent du monoxyde de carbone, un gaz inodore et mortel.

COMMENT L'ÉVITER

- Toujours utiliser l'air comprimé à l'extérieur dans une zone propre, bien aérée. Éviter les endroits clos comme les garages, les sous-sols, les remises sans système d'échange d'air continu. Éloigner les enfants, animaux et toute autre personne de la zone de travail.

- Il est dangereux de respirer l'air comprimé sortant du compresseur. Le flux d'air peut contenir du monoxyde de carbone, des vapeurs toxiques ou des particules solides provenant du réservoir d'air. La respiration de ces contaminants peut causer de sérieuses blessures, voire la mort.
- Une exposition aux produits chimiques présents dans la poussière générée par les activités de ponçage, sciage, meulage, perçage et autres, peut être nocive
- Les matériaux vaporisés comme la peinture, les solvants de peinture, les décapants, les insecticides, les herbicides, pourraient contenir des vapeurs nocives et du poison.
- Ne jamais utiliser l'air obtenu directement du compresseur pour l'alimentation en air destinée à la consommation humaine. Le compresseur n'est pas muni de filtres et d'équipement de sécurité en ligne qui conviennent à la consommation humaine.
- Travailler dans un endroit ayant une bonne aération transversale. Lire et respecter les directives en matière de sécurité imprimées sur l'étiquette ou les fiches signalétiques des matériaux qui sont pulvérisés. Toujours utiliser un équipement de sécurité homologué : une protection respiratoire conforme aux normes NIOSH/OSHA, ou un masque facial bien ajusté, conçus spécifiquement pour votre utilisation particulière.



⚠AVERTISSEMENT : RISQUE D'ÉCLATEMENT

Réservoir d'air comprimé : Le 26 février 2002, la U.S. Consumer Product Safety Commission américaine a publié la règle n° 02-108 portant sur la sécurité en matière de réservoir d'air comprimé des compresseurs :

Les réservoirs d'air comprimé des compresseurs n'ont pas une durée de vie illimitée. La durée de vie des réservoirs dépend de plusieurs facteurs, qui comprennent entre autres : les conditions d'utilisation, les conditions ambiantes, une installation adéquate, les modifications sur site, et le niveau de maintenance. L'effet exact que peut avoir ces facteurs sur la durée de vie des réservoirs d'air est difficilement prévisible.

Si les procédures adéquates de maintenance ne sont pas suivies, la corrosion sur la paroi interne du réservoir d'air comprimé peut faire que celui-ci éclate de façon inopinée laissant soudainement l'air pressurisé s'échapper avec force, posant ainsi des risques de dommages corporels à l'utilisateur.

Le réservoir d'air de votre compresseur doit être mis hors service à la fin de l'année mentionnée sur l'étiquette d'avertissement apposée sur le réservoir.

Les conditions suivantes peuvent amener la dégradation du réservoir d'air, et faire que ce dernier explose violemment :

CE QUI PEUT SE PRODUIRE

- L'eau condensée n'est pas correctement vidangée du réservoir d'air provoquant ainsi la formation de rouille et un amincissement du réservoir d'air en acier.
- Modifications apportées au réservoir d'air ou tentatives de réparation.
- Des modifications non autorisées de la soupape de décompression, de la soupape de sûreté ou de tous autres composants qui régissent la pression du réservoir d'air.

COMMENT L'ÉVITER

- Vidanger le réservoir d'air quotidiennement ou après chaque utilisation. Si le réservoir présente une fuite, le remplacer immédiatement par un nouveau réservoir d'air ou par un nouveau compresseur.
- Ne jamais percer un trou dans le réservoir d'air ou ses accessoires, y faire de la soudure ou y apporter quelque modification que ce soit. Ne jamais essayer de réparer un réservoir d'air endommagé ou avec des fuites. Le remplacer par un nouveau réservoir d'air.
- Le réservoir d'air a été conçu pour supporter des pressions spécifiques de fonctionnement. Ne faites jamais effectuer de réglages ou de substitutions de pièces en vue de modifier les pressions de fonctionnement réglées en usine.

Attachements et accessoires :

- Lorsqu'on excède la pression nominale des outils pneumatiques, des pistolets pulvérisateurs, des accessoires à commande pneumatique, des pneus et d'autres dispositifs pneumatiques, on risque de les faire exploser ou de les projeter et ainsi entraîner des blessures graves.
- Respecter les recommandations du fabricant de l'équipement et ne jamais dépasser la pression nominale maximale permise des accessoires. Ne jamais utiliser le compresseur pour gonfler de petits objets à basse pression comme des jouets d'enfant, des ballons de football et de basketball, etc.

Pneus :

- Des pneus surgonflés pourraient provoquer des blessures graves et des dommages à la propriété.
- Utiliser un manomètre pour vérifier la pression des pneus avant chaque utilisation et lors du gonflage; consulter le flanc de pneu pour obtenir la pression correcte.

REMARQUE : Les réservoirs d'air comprimé, compresseurs et autres équipements similaires utilisés pour gonfler les pneus peuvent remplir ces derniers très rapidement. Régler le régulateur de pression d'air à une pression moindre que celle indiquée sur le pneu. Ajouter de l'air par petite quantité et utiliser fréquemment le manomètre pour empêcher un surgonflage.



**⚠AVERTISSEMENT : RISQUE PROVENANT DES OBJETS
PROJETÉS EN L'AIR**

CE QUI PEUT SE PRODUIRE

- Le flux d'air comprimé peut endommager les tissus mous de la peau exposée et peut projeter la poussière, des fragments, des particules détachées et des petits objets à haute vitesse, ce qui entraînerait des dommages et des blessures personnelles.

COMMENT L'ÉVITER

- Toujours utiliser de l'équipement de sécurité homologué : protection oculaire conforme à la norme ANSI Z87.1 (CAN/CSA Z94.3) munie d'écrans latéraux lors de l'utilisation du compresseur.
- Ne jamais pointer une buse ou un pulvérisateur vers une partie du corps ou vers d'autres personnes ou des animaux.
- Toujours mettre le compresseur hors tension et purger la pression du tuyau à air et du réservoir d'air avant d'effectuer l'entretien, de fixer des outils ou des accessoires.



⚠AVERTISSEMENT : ATTENTION SURFACES CHAUDES

CE QUI PEUT SE PRODUIRE

- Toucher à du métal exposé comme la tête du compresseur ou du moteur, la tubulure des gaz d'échappement ou de sortie, peut se solder en de sérieuses brûlures.

COMMENT L'ÉVITER

- Ne jamais toucher à des pièces métalliques exposées sur le compresseur pendant ou immédiatement après son utilisation. Le compresseur restera chaud pendant plusieurs minutes après son utilisation.
- Ne pas toucher ni effectuer des réparations aux coiffes de protection avant que l'appareil n'ait refroidi.



⚠AVERTISSEMENT : RISQUE ASSOCIÉ AUX PIÈCES MOBILES

CE QUI PEUT SE PRODUIRE

- Le moteur peut démarrer accidentellement si le volant est tourné manuellement ou par l'action de la corde de lancement.

COMMENT L'ÉVITER

- Toujours déconnecter la bougie et purger la pression du réservoir d'air avant d'effectuer un entretien.

- Les pièces mobiles comme une poulie, un volant ou une courroie peuvent provoquer de graves blessures si elles entrent en contact avec vous ou vos vêtements.
- Ne jamais utiliser le compresseur si les protecteurs ou les couvercles sont endommagés ou retirés.
- Garder les cheveux, les vêtements et les gants à l'écart des pièces mobiles. Les vêtements amples, bijoux ou cheveux longs peuvent s'enchevêtrer dans les pièces mobiles.
- S'éloigner des événements car ces derniers pourraient camoufler des pièces mobiles.
- Toutes les réparations requises pour ce produit devraient être effectuées par un centre de réparation de l'usine DEWALT ou un centre de réparation agréé DEWALT.
- Utiliser le compresseur avec des pièces endommagées ou manquantes ou le réparer sans coiffes de protection risque de vous exposer à des pièces mobiles et peut se solder par de graves blessures.



⚠ AVERTISSEMENT : RISQUE ASSOCIÉ À UTILISATION DANGEREUSE

CE QUI PEUT SE PRODUIRE

- Une utilisation dangereuse de votre compresseur d'air pourrait provoquer de graves blessures, voire votre décès ou celle d'autres personnes.

COMMENT L'ÉVITER

- Revoir et comprendre toutes les directives et les avertissements contenus dans le présent mode d'emploi.
- Se familiariser avec le fonctionnement et les commandes du compresseur d'air.
- Dégager la zone de travail de toutes personnes, animaux et obstacles.
- Tenir les enfants hors de portée du compresseur d'air en tout temps.

- Ne pas utiliser le produit en cas de fatigue ou sous l'emprise d'alcool ou de drogues. Rester vigilant en tout temps.
- Ne jamais rendre inopérant les fonctionnalités de sécurité du produit.
- Installer un extincteur dans la zone de travail. • Ne pas utiliser l'appareil lorsqu'il manque des pièces ou que des pièces sont brisées ou non autorisées.
- Ne jamais se tenir debout sur le compresseur.



⚠ AVERTISSEMENT : RISQUES CAUSÉS PAR LE BRUIT

CE QUI PEUT SE PRODUIRE

- Dans certaines conditions et selon la durée d'utilisation, le bruit provoqué par ce produit peut contribuer à une perte auditive.

COMMENT L'ÉVITER

- Toujours utiliser un équipement de sécurité homologué : protection auditive conforme à la norme ANSI S12.6 (S3.19).



⚠ AVERTISSEMENT : RISQUE DE BLESSURE EN SOULEVANT LE PRODUIT

CE QUI PEUT SE PRODUIRE

- Soulever un objet trop lourd peut se solder par de graves blessures.

COMMENT L'ÉVITER

- Le compresseur est trop lourd pour être soulevé par une seule personne. Demander de l'aide avant de le soulever.



⚠ AVERTISSEMENT : RISQUE DE BLESSURES OU DE DOMMAGES À LA PROPRIÉTÉ LORS DU TRANSPORT OU DU RANGEMENT

CE QUI PEUT SE PRODUIRE

- L'huile peut fuir ou se déverser. Cela pourrait se solder par un incendie ou un danger d'inhalation; des blessures graves ou un décès. Les fuites d'huile endommageront le tapis, la peinture ou toutes autres surfaces de véhicules ou de remorques.

COMMENT L'ÉVITER

- Toujours installer le compresseur sur un revêtement protecteur lors du transport pour protéger le véhicule de tous dommages associés aux fuites. Retirer immédiatement le compresseur du véhicule dès l'arrivée à destination. Toujours tenir le compresseur à niveau et ne jamais le déposer sur son côté.

CONSERVER CES DIRECTIVES POUR UN USAGE ULTÉRIEUR

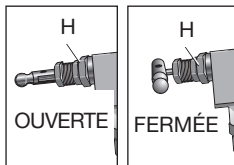
CARACTÉRISTIQUES

SOUPE DE DÉCOMPRESSION

La soupape de décompression (H) du réservoir d'air se purgera dès que la pression maximale du réservoir est atteinte. Ainsi, le compresseur évacuera l'air dans l'atmosphère et non dans le réservoir. La soupape est réglée par le fabricant et ne doit pas être retirée ou modifiée de quelque manière que ce soit.

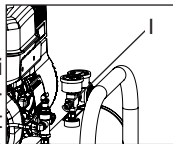
Blocage manuel : Le blocage manuel vous permet de décompresser la pression du réservoir d'air du compresseur. Utilisation du blocage manuel :

Mettre le levier de décompression du blocage manuel en position **ouverte** pour empêcher l'accumulation de pression dans le réservoir d'air. Mettre le levier de décompression du blocage manuel en position **fermée** après le démarrage moteur pour permettre le développement de la pression dans le réservoir. **REMARQUE :** La pression ne se développera pas si le levier de décompression du blocage manuel est en position **ouverte**.



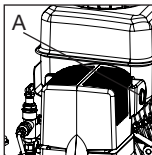
SOUPE DE SÛRETÉ

La soupape (I) est conçue pour prévenir des défaillances système en décompressant celui-ci lorsque le compresseur d'air atteint un niveau préétabli. La soupape est réglée par le fabricant et ne doit pas être retirée ou modifiée de quelque manière que ce soit.



FILTRE D'ADMISSION D'AIR

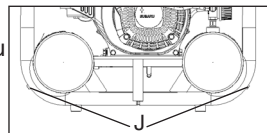
Le filtre (A) sert à purifier l'air qui entre dans la pompe. Pour que la pompe reçoive un flux d'air constant propre, froid et sec, le filtre doit toujours être propre et



l'entrée d'air doit être exempte d'obstructions.

SOUPE DE PURGE DU RÉSERVOIR D'AIR

La soupape de purge (J) sert à dés humidifier le réservoir d'air après l'arrêt du compresseur.

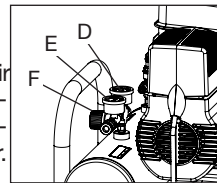


MANOMÈTRE DU RÉSERVOIR D'AIR

Le manomètre du réservoir d'air (D) indique la pression dans le réservoir d'air.

MANOMÈTRE RÉGLÉ

Le manomètre réglé (E) indique la pression d'air disponible à la sortie du régulateur. Cette pression est contrôlée par le régulateur et est toujours inférieure ou égale à celle du réservoir d'air.



RÉGULATEUR

Le bouton du régulateur (F) contrôle la pression provenant du réservoir d'air.

Réglage du régulateur :

1. Tourner le bouton en sens horaire pour régler la pression et en sens antihoraire pour la réduire.

⚠ AVERTISSEMENT : Risque d'éclatement. Purger le réservoir d'air quotidiennement. L'eau se condensera dans le réservoir d'air. Si l'eau n'est pas vidangée, elle corrodera et affaiblira le réservoir d'air, provoquant ainsi un risque de rupture du réservoir d'air.

CONTRÔLE DE L'ÉTRANGLEUR

Une fois la pression maximale du réservoir d'air atteinte et que la soupape de décompression décompresse le récipient, cette action active le contrôle de l'étrangleur du moteur. Cette fonctionnalité d'économie d'essence maintient le moteur au ralenti (régime préétabli en usine) jusqu'à ce que la pression du réservoir d'air chute à la

pression pré réglée. La soupape de décompression réenclenche alors le contrôle de l'étrangleur et le moteur accélère à plein régime.

INSTALLATION

Assemblage (Fig. 1)

RACCORDEMENT DES TUYAUX

⚠AVERTISSEMENT : *Risque d'utilisation dangereuse. Saisir fermement le tuyau en main lors du raccordement ou de la déconnexion pour empêcher un à-coup du tuyau.*

1. S'assurer que le manomètre régulé indique 0 psi.
2. Enrouler un ruban d'étanchéité sur le filetage de tuyau.
3. Raccorder le ou le tuyau à la ou aux sortie d'air (G).

IMPORTANT : Ne pas assembler de distributeurs directement sur la ou le sortie d'air (G).

REMARQUE : La fixation de pièces à dégagement rapide aux sortie d'air (G) et de bouchons à dégagement rapide aux embouts de tuyau facilite la connexion et la déconnexion des tuyau. Les pièces et les embouts à dégagement rapide sont disponibles auprès de votre distributeur ou centre de réparation agréé régional.

DÉCONNEXION DES TUYAUX

⚠AVERTISSEMENT : *Risque d'utilisation dangereuse. Saisir fermement le tuyau en main lors du raccordement ou de la déconnexion pour empêcher un à-coup du tuyau.*

1. S'assurer que le manomètre régulé indique 0 psi.
2. Retirer le ou les tuyau de la ou de sortie d'air (G).

Lubrification et huile

MOTEUR

1. Le fabricant a fait le plein d'huile moteur **EN** usine. Vérifier le niveau d'huile moteur avant d'utiliser l'appareil. Le cas échéant, faire l'ap-

point au niveau approprié avec l'huile recommandée. Consulter le mode d'emploi du moteur, fourni par le fabricant de celui-ci, pour la bonne procédure.

2. Ajouter de l'essence. Consulter le mode d'emploi du moteur, fourni par le fabricant de celui-ci, pour la bonne procédure.

⚠AVERTISSEMENT : *Risque d'explosion ou d'incendie. Les vapeurs d'essence sont hautement inflammables. Faire le plein de préférence à l'extérieur ou seulement dans des endroits bien aérés. Ne pas faire le plein ou ne pas vérifier le niveau d'essence avec le moteur en marche. Ne pas ranger l'essence, ni la déverser ou l'utiliser près d'une flamme nue, d'une source d'étincelles (comme la soudure) ou d'équipement électrique en fonctionnement.*

Compatibilité

Les outils pneumatiques et les accessoires utilisés avec le compresseur doivent être compatibles avec des produits dérivés du pétrole. En cas d'incompatibilité probable avec des dérivés du pétrole, utiliser un filtre de canalisation d'air pour retirer l'humidité et les vapeurs d'huile du compresseur d'air.

AVIS : Toujours utiliser un filtre de canalisation d'air pour retirer l'humidité et les vapeurs d'huile lors de la pulvérisation de peinture.

Emplacement

⚠AVERTISSEMENT : *Risque associé à l'inhalation. L'échappement du moteur à essence contient du monoxyde de carbone mortel; gaz inodore et toxique. Utiliser le moteur uniquement dans des zones bien ventilées.*

AVIS : *Risque de dommages à la propriété. En cours de fonctionnement, ne pas incliner le compresseur d'air plus de 10° pour éviter tout dommage.*

Installer le compresseur d'air à au moins 1,2 m (4 pi) d'obstacles qui pourraient gêner une bonne aération. Éloigner l'appareil des zones à

atmosphère chargé de saletés, de vapeurs et d'émanations. Ceux-ci pourraient boucher le filtre et les soupapes d'admission et s'y agglutiner nuisant ainsi au bon fonctionnement du compresseur d'air.

REMARQUES À PROPOS DU BRUIT

Consulter les organismes de réglementation de votre région pour connaître les niveaux de bruit tolérés. Pour réduire le bruit excessif, utiliser un montage antivibratile ou des atténuateurs sonores. Repositionner l'appareil ou des murs déflecteurs. Communiquer avec un centre de réparation DeWALT ou composer le 1-888-895-4549 pour obtenir de l'aide.

TRANSPORT

⚠️ AVERTISSEMENT : *Risque de blessure associé au transport. L'appareil pèse plus de 154,3 kg (70 lb). Ne pas le déplacer ni le soulever sans aide.*

AVIS : *Risque de dommages matériels. Mettre le levier de robinet à essence (M) à la position OFF (arrêt) avant de déplacer ou de transporter l'appareil.*

Lors du transport du compresseur dans un véhicule, une remorque, etc., s'assurer que le réservoir d'air est bien vide et que l'appareil est bien fixé sur un matelas de protection reposant sur une surface plane horizontale. **PAS** entreposé dans une position debout.

REMARQUE : Si l'appareil bascule, de l'huile se déversera ce qui exigera un démarrage à froid et produira de la fumée.

Liste de vérification de pré-démarrage (Fig. 1)

1. S'assurer que le commutateur MARCHE/ARRÊT (C) du moteur est en position d'ARRÊT.
2. S'assurer que le réservoir d'air soit bien purgé consulter la rubrique **Vidange du réservoir d'air** sous *Entretien*.
3. S'assurer que la soupape de purge (J) soit fermée.
4. S'assurer que la soupape de sûreté (I) fonctionne correctement,

consulter la rubrique **Vérification de la soupape de sûreté** sous *Entretien*.

AVIS : *Ne pas utiliser le compresseur sans huile ou avec une huile de qualité inadéquate. DeWALT ne peut être tenu responsable pour toute défaillance du compresseur provoquée par une huile inappropriée.*

5. Vérifier les niveaux d'huile et d'essence du moteur, consulter le guide d'utilisation du moteur pour les procédures correctes.
6. S'assurer que tous les dispositifs de protection, couvercles et étiquettes sont présents, lisibles (dans le cas des étiquettes) et bien fixés. Ne pas utiliser le compresseur avant de vérifier tous ces points.

Réglage initial (fig. 1)

⚠️ AVERTISSEMENT : *Ne pas utiliser l'appareil avant d'avoir lu et compris le mode d'emploi, et celui du moteur ainsi que l'intégralité des directives de sécurité, d'utilisation et d'entretien.*

PROCÉDURE DE RODAGE

AVIS : *Risque de dommages à la propriété. Respecter à la lettre les directives de rodage ci-dessous pour empêcher de graves dommages.*

La procédure suivante est requise :

- avant d'utiliser le compresseur pour la première fois;
- lors du remplacement de la soupape de décompression;

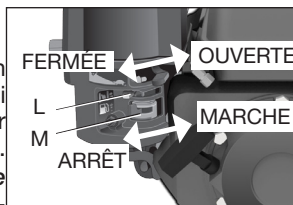
Procédure :

1. Utiliser la **Liste de vérification de pré-démarrage** sous *Mode d'emploi*.
2. Mettre le levier de décompression du blocage manuel en position **ouverte** pour empêcher l'accumulation de pression dans le réservoir d'air.
3. Ouvrir le régulateur de pression. Tourner en sens horaire jusqu'à ce

qu'il s'arrête.

⚠AVERTISSEMENT : Ne pas utiliser l'appareil avant d'avoir lu et compris le mode d'emploi du moteur ainsi que l'intégralité des directives de sécurité, d'utilisation et d'entretien.

4. Préparation du moteur pour la première utilisation, consulter le mode d'emploi du moteur pour la bonne procédure.
5. Mettre le commutateur de MARCHE/ARRÊT (C) en position de MARCHE.
6. Mettre le levier du robinet à essence (M) à la position ON (marche).
7. Si le moteur est froid, régler l'étrangleur (L) à la position FERMÉE comme il est indiqué. Si le moteur est chaud, régler l'étrangleur à la position OUVERTE.



⚠AVERTISSEMENT : Risque

d'utilisation dangereuse. Tirer lentement la poignée du démarreur jusqu'à ce qu'une résistance se fasse sentir. Puis tirer rapidement sur la poignée (N) pour éviter l'effet de rebond et empêcher toute blessure à la main ou au bras.

AVIS : Ne pas laisser la poignée du démarreur revenir d'un coup sec. Contrôler le rembobinage à la main.

REMARQUE : Dans ce cas, vérifier le niveau d'huile du moteur et ajouter de l'huile au besoin.

REMARQUE : Pour optimiser la lubrification, placer l'appareil sur une surface de niveau.

8. Au fur et à mesure que le moteur se réchauffe, régler l'étrangleur à la position OUVERTE.
9. Mettre le système de blocage de la soupape de décompression en position **fermée** de sorte que la pression puisse s'accumuler.

10. Fermer le régulateur de pression. Tourner le bouton du régulateur (F) en sens antihoraire jusqu'au butoir. Cette manœuvre permettra de développer la pression dans le réservoir d'air.

11. Le tuyau de sortie d'air fournira de l'air comprimé jusqu'à utilisation complète de l'air ou sa purge.

PROCÉDURES DE FONCTIONNEMENT

Démarrage (Fig. 1)

1. Utiliser la **Liste de vérification de pré-démarrage** sous *Mode d'emploi*.
2. Tourner le bouton du régulateur (F) en sens antihoraire jusqu'à fermeture complète. Le manomètre réglé devrait afficher 0 psi.
3. Mettre le levier de décompression du blocage manuel en position **ouverte** pour aider au démarrage.
4. Mettre le commutateur de MARCHE/ARRÊT (C) en position de MARCHE.
5. Mettre le levier du robinet à essence (M) à la position ON (marche).
6. Si le moteur est froid, régler l'étrangleur (L) à la position FERMÉE comme il est indiqué. Si le moteur est chaud, régler l'étrangleur à la position OUVERTE.

⚠AVERTISSEMENT : Risque d'utilisation dangereuse. Tirer lentement la poignée du démarreur jusqu'à ce qu'une résistance se fasse sentir. Puis tirer rapidement sur la poignée (N) pour éviter l'effet de rebond et empêcher toute blessure à la main ou au bras.

AVIS : Ne pas laisser la poignée du démarreur revenir d'un coup sec. Contrôler le rembobinage à la main.

REMARQUE : Dans ce cas, vérifier le niveau d'huile du moteur et ajouter de l'huile au besoin.

REMARQUE : Pour optimiser la lubrification, placer l'appareil sur

une surface de niveau.

7. Au fur et à mesure que le moteur se réchauffe, régler l'étrangleur à la position OUVERTE.
8. Mettre le levier de décompression du blocage manuel en position **fermée** pour permettre le développement de la pression dans le réservoir d'air. **REMARQUE** : La pompe ne fonctionnera pas avec le levier de décompression du blocage manuel en position **ouverte**.
9. Laisser le compresseur d'air atteindre la pression de **déclenchement**.

⚠AVERTISSEMENT : Si on remarque un bruit ou une vibration inhabituelle, arrêter le compresseur et se reporter à la rubrique concernant le dépannage.

⚠AVERTISSEMENT : Risque d'utilisation dangereuse. Saisir fermement le tuyau en main lors du raccordement ou de la déconnexion pour empêcher un à-coup du tuyau.

⚠AVERTISSEMENT : Risque d'utilisation dangereuse. N'utilisez pas les accessoires endommagés ou portés.

AVIS : Risque des matériels dommages. L'air comprimé de l'appareil pourrait contenir de l'eau condensée et des brumes d'huile. Ne pas vaporiser de l'air non filtré sur un article que l'humidité pourrait endommager. Certains outils ou dispositifs pneumatiques pourraient requérir de l'air filtré. Lire les directives pour l'outil ou le dispositif pneumatique.

11. Régler le régulateur (F) à la valeur souhaitée. Consulter la rubrique **Régulateur** sous **Caractéristiques**.

Arrêt

1. Mettre l'Interrupteur ON/OFF (marche/arrêt) (C) du moteur à la position OFF (arrêt).

2. Mettre le levier du robinet à essence (M) à la position OFF (arrêt).

REMARQUE : Si l'utilisation du compresseur est terminée, suivre les étapes 3 à 7.

3. Tourner le bouton du régulateur (F) en sens antihoraire jusqu'à fermeture complète. S'assurer que le manomètre régulé indique 0 psi.
4. Retirer le tuyau et l'accessoire.
5. Purger le réservoir d'air. Consulter la rubrique **Vidange du réservoir d'air** sous **Entretien**.

AVIS : Risque de dommages matériels. Mettre le levier de robinet à essence (M) à la position OFF (arrêt) avant de déplacer ou de transporter l'appareil.

⚠AVERTISSEMENT : Risque d'éclatement. Purger le réservoir d'air quotidiennement. L'eau se condensera dans le réservoir d'air. Si l'eau n'est pas vidangée, elle corrodera et affaiblira le réservoir d'air, provoquant ainsi un risque de rupture du réservoir d'air.

6. Laisser refroidir le compresseur.
7. Nettoyer le compresseur d'air avec un chiffon et le ranger dans un endroit sûr sans risque de gel.

ENTRETIEN

⚠AVERTISSEMENT : Suivre les procédures suivantes lors de l'entretien ou des réparations du compresseur d'air.

1. S'assurer que le commutateur **MARCHE/ARRÊT** (C) du moteur est en position d'**ARRÊT**.
2. Débrancher le fil de la bougie.
3. Purger le réservoir d'air.
4. Laisser refroidir le compresseur d'air avant de débiter une réparation

REMARQUE : Tous les systèmes de compression d'air comprennent

des pièces (par ex., huile, filtres, séparateurs) qui sont régulièrement remplacées. Ces pièces usées pourraient contenir des substances contrôlées et doivent être mises au rebut conformément aux lois et règlements municipaux, provinciaux, territoriaux et fédéraux.

REMARQUE : Noter la position et l'emplacement des pièces au démontage pour faciliter le remontage subséquent.

REMARQUE : Toute réparation non décrite dans cette rubrique devrait être exécutée à un centre de réparation de l'usine DEWALT ou un centre de réparation agréé DEWALT.

Programme d'entretien

Procédure	Quotidienne	Hebdomadaire	Mensuelle	1 an ou 200 heures	Se reporter à l'étiquette d'avertissement sur le réservoir
Vérification de la soupape de sûreté	X				
Inspecter le filtre à air		X ⁺			
Vidange du réservoir d'air	X				
Inspection de fuite d'huile	X				
Recherche de bruits ou de vibrations inhabituels	X				
Vérification des fuites d'air	X*				
Nettoyage de la partie externe du compresseur		X			
Mettre le réservoir hors service					X ⁺⁺
Moteur	Consulter le mode d'emploi du moteur.				
* Pour trouver des fuites d'air, appliquer une solution d'eau savonneuse autour des joints. Alors que le compresseur développe la pression et que l'accumulation de pression cesse, rechercher toute trace de bulles d'air.					
+ Vidange plus fréquente sous conditions poussiéreuses ou humides					
++ Pour plus d'informations, composer le 1-888-895-4549.					

Vérification de la soupape de sûreté (Fig. 1)

⚠AVERTISSEMENT : Surfaces chaudes. Risque de brûlure. Le la tête de pompe et les pièces contiguës sont très chaudes – ne pas les toucher (consulter la rubrique Surfaces chaudes de la figure 2). Laisser refroidir le compresseur avant d'effectuer des réparations sur l'appareil.

⚠AVERTISSEMENT : Risque d'éclatement. Si la soupape de sûreté ne fonctionne pas correctement, il peut se produire une surpressurisation, causant ainsi la rupture du réservoir d'air ou une explosion.

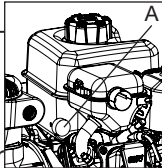
⚠AVERTISSEMENT : Risque provenant des objets projet. És Toujours utiliser de l'équipement de sécurité homologué : protection oculaire conforme à la norme ANSI Z87.1 (CAN/CSA Z94.3) munie d'écrans latéraux lors de l'utilisation du compresseur.

Avant de mettre en marche le compresseur, tirez sur la bague de la soupape de sûreté pour vous assurer que la soupape fonctionne librement. Si la soupape est coincée ou ne fonctionne pas bien, il faut la remplacer par une soupape du même type.

Vérification des éléments du filtre d'air (Fig. 1)

⚠AVERTISSEMENT : Surfaces chaudes. Risque de brûlure. Le la tête de pompe et les pièces contiguës sont très chaudes – ne pas les toucher (consulter la rubrique Surfaces chaudes de la figure 2). Laisser refroidir le compresseur avant d'effectuer des réparations sur l'appareil.

1. S'assurer que le commutateur MARCHE/ARRÊT (C) du moteur est en position d'ARRÊT.
2. Laisser refroidir l'appareil.
3. Retirer les filtre (A).
4. En cas de nettoyage, souffler de l'air. Remplacer



le cas échéant. Acheter les pièces de rechange auprès de votre distributeur ou centre de réparation agréé régional. Toujours utiliser des pièces de rechange identiques.

5. Replacer les filtre.

AVIS : Risque d'utilisation dangereuse. Ne pas utiliser sans le filtre d'admission d'air.

Vidange du réservoir d'air (Fig. 1)

⚠AVERTISSEMENT : Risque d'utilisation dangereuse. Risque associé au bruit. Les réservoirs d'air contiennent de l'air sous haute pression. Éloigner le visage [ANSI Z87.1 (CAN/CSA Z94.3)] et toutes autres parties du corps de l'orifice de vidange. Porter des lunettes de sécurité lors de la vidange car il y a risque de projection de débris au visage.

⚠AVERTISSEMENT: Risque associé au bruit. Utiliser une protection auditive [ANSI S12.6 (S3.19)] car le flux d'air sortant est strident en cours de vidange.

REMARQUE : Tous les systèmes de compression d'air génèrent des condensats qui s'accumulent à un point de vidange (par ex., réservoir, filtre, dispositifs de postrefroidissement ou sécheur). Le condensat contient de l'huile lubrifiante ou des substances contrôlées, ou les deux, et doivent être éliminés conformément aux lois et règlements municipaux, provinciaux, territoriaux et fédéraux.

1. S'assurer que le commutateur MARCHE/ARRÊT (C) du moteur est en position d'ARRÊT.
2. Tourner le bouton du régulateur (F) en sens antihoraire jusqu'à fermeture complète. Le manomètre réglé devrait afficher 0 psi.
3. Enlevez l'outil pneumatique ou l'accessoire.
4. Tirez l'anneau de la soupape de sûreté pour permettre à l'air de purger du réservoir jusqu'à ce que la pression dans le réservoir se situe à environ 20 lb/po². Relâchez l'anneau de la soupape

de sûreté.

5. Vidangez l'eau du réservoir en ouvrant le robinet de vidange. (Tournez dans le sens contraire des aiguilles d'une montre) situé en bas du réservoir.

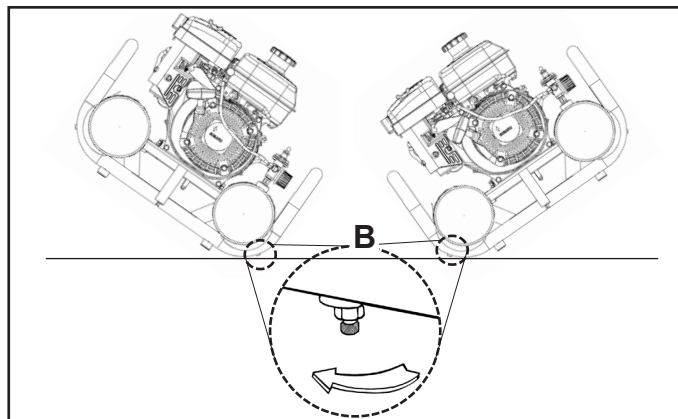
⚠AVERTISSEMENT : Risque d'éclatement. L'eau dans le réservoir d'air peut condenser. Si l'eau n'est pas vidangée, cela risque de corroder et d'affaiblir le réservoir d'air, produisant ainsi un risque de rupture du réservoir d'air.

AVIS : Risque de dommages à la propriété. L'eau qui est purgée du réservoir d'air pourrait contenir de l'huile et de la rouille. Ces derniers risquent de tacher.

6. Une fois la vidange de l'eau terminée, fermez le robinet de vidange (tournez dans le sens des aiguilles d'une montre). Le compresseur d'air peut maintenant être rangé.

REMARQUE: Unité d'inclinaison aux réservoirs de vidange (voir B).

REMARQUE: Entrez les compresseurs portables dans un bâtiment chauffé quand vous ne les utilisez pas pour réduire les problèmes de mise en marche du moteur et de condensation d'eau gelée.



ACCESSOIRES

Les accessoires recommandés pour votre outil peuvent être achetés auprès du distributeur local ou d'un centre de réparation agréé. Si vous avez besoin d'assistance pour trouver un accessoire pour votre outil, veuillez composer le 1-888-895-4549 ou visiter notre site Web à www.dewalt.com.

⚠AVERTISSEMENT : L'utilisation de tout autre accessoire non recommandé avec cet outil pourrait s'avérer dangereuse. Utiliser uniquement des accessoires de classement égal ou supérieur à celui de la compresseur d'air.

INFORMATION SUR LES RÉPARATIONS

Veuillez recueillir les informations suivantes pour tous les appels au Service à la clientèle :

Numéro du modèle _____ Numéro de série _____

Date et lieu de l'achat _____

Réparations

Pour assurer la SÉCURITÉ et la FIABILITÉ du produit, les réparations, l'entretien et les réglages doivent être réalisés par un centre de réparation en usine DEWALT, un centre de réparation agréé DEWALT ou par d'autres techniciens qualifiés. Toujours utiliser des pièces de rechange identiques.

Information sur les réparations

Veuillez recueillir les informations suivantes pour tous les appels au Service à la clientèle :

Numéro du modèle _____ Numéro de série _____

Date et lieu de l'achat _____

Réparations

Pour assurer la SÉCURITÉ et la FIABILITÉ du produit, les réparations, l'entretien et les réglages doivent être réalisés par un centre de réparation en usine DEWALT, un centre de réparation agréé DEWALT ou par d'autres techniciens qualifiés. Toujours utiliser des pièces de rechange identiques.

Garantie limitée

Les outils **industriels DEWALT** sont garantis à partir de la date d'achat.

Garantie limitée **d'UN (1) AN** sur tous les compresseurs sans huile. Cette garantie n'est pas transférable à une tierce partie.

DEWALT réparera ou remplacera, à ses frais, à la discrétion de DEWALT, tout défaut pour vice de matière ou de fabrication. Pour toute information complémentaire relative à la couverture de la garantie et aux réparations prises en charge par celle-ci, veuillez appeler le 1-(888)-895-4549 ou vous rendre sur le site dewalt.com. Cette garantie ne s'applique pas aux accessoires, ou à tout

dommage causé par des réparations effectuées ou tentées par un tiers. Cette garantie ne s'applique pas aux marchandises vendues par DEWALT qui ont été fabriquées par une autre compagnie, et identifiées comme telles, comme l'essence pour les moteurs. La garantie de son fabricant, si existante, sera alors applicable. **TOUT DOMMAGE, PERTE OU DÉPENSE ACCESSOIRE, INDIRECT OU IMMATÉRIEL POUVANT RÉSULTER DE TOUT DÉFAUT, DÉFAILLANCE OU DYSFONCTIONNEMENT DU PRODUIT N'EST PAS COUVERT PAR CETTE GARANTIE.** Certains états n'autorisent aucune exclusion ou limitation de garantie contre tout préjudice accessoire ou indirect, aussi il se peut que la limitation ou l'exclusion susdite ne vous soit pas applicable. **TOUTE GARANTIE IMPLICITE, Y COMPRIS DE QUALITÉ MARCHANDE OU D'ADÉQUATION DANS UN BUT PARTICULIER, EST LIMITÉE À UN AN À COMPTER DE LA DATE D'ACHAT.**

Certains états n'autorisent aucune limitation quant à la durée de toute garantie implicite, aussi il se peut que l'exclusion susdite ne vous soit pas applicable. Cette garantie confère des droits légaux particuliers à l'acheteur, mais celui-ci pourrait aussi bénéficier d'autres droits variant d'un territoire à l'autre.

Ce à quoi la Société s'engage : (la société) s'engage à couvrir les pièces et la main-d'œuvre requises afin de remédier aux défauts importants constatés dans les matériaux ou dans la main-d'œuvre au cours de la première année suivant l'acquisition, sous réserve de ce qui suit. Les pièces utilisées pour la réparation des unités complètes ou des accessoires sont garanties pendant ce qui reste de la période de garantie initiale.

Qu'est-ce qui n'est pas couvert par cette garantie? L'incapacité de l'acheteur au détail initial d'installer, d'entretenir et d'exploiter cet équipement conformément aux pratiques industrielles normales. Les modifications apportées au produit ou le bricolage effectué sur ses composants, ou le manquement à se conformer aux recom-

mandations spécifiques de la Société énoncées dans le manuel de l'utilisateur, rendront cette garantie nulle et non avenue. La Société rejette toute responsabilité pour les réparations, remplacements ou ajustements à l'équipement ou pour tous coûts reliés au travail effectués sur l'équipement par l'acheteur sans l'autorisation préalable écrite de la Société. Les effets de la corrosion, de l'érosion, des conditions environnementales ambiantes, des défauts de nature superficielle et les matériaux requis pour la maintenance de routine sont expressément exclus de cette garantie. Les matériaux requis pour la maintenance de routine tels que l'huile, les lubrifiants et les filtres à air, ainsi que les changements d'huile, de filtres à air, de tension de courroie, etc. font partie de la responsabilité de l'utilisateur. Parmi les exclusions supplémentaires, il faut ajouter les dommages liés au transport, les défaillances liées à la négligence, aux accidents ou à une mauvaise utilisation, les moteurs à induction alimentés par un alternateur, les fuites d'huile, les fuites d'air, la consommation d'huile, les raccords qui fuient, les boyaux, les robinets d'évacuation d'air, les soupapes de purge et les tuyaux de transfert.

- Les composants suivants sont considérés comme des équipements sujets à usure normale et ne sont donc couverts que pendant un an après leur vente : courroies, faisceaux, volants, clapets de non-retour, manostats, déchargeurs à air, manettes d'accélération, moteurs électriques, balais, régulateurs, joints toriques, manomètres, tubes, conduits, raccords, attaches, roues, porte-outils à attache rapide, garnitures, joints d'étanchéité, logements de filtre à air, segments de piston, biellettes de liaison et joints de piston.
- Les charges de main-d'œuvre, d'appels de service et de déplacements ne sont pas couvertes au-delà de la première année suivant l'acquisition pour les compresseurs fixes (compresseurs sans poignées et sans roues). Les

réparations nécessitant des heures supplémentaires, des taux et tarifs de fin de semaine ou toute autre charge excédant le tarif standard de travail en atelier ne sont pas couvertes.

- Temps requis pour la formation d'orientation afin de permettre au centre de service d'obtenir accès au produit, ou du temps supplémentaire pour cause de sortie inadéquate.
- Les dommages causés par un entretien inadéquat du filtre.
- L'usure de la pompe ou un dommage causé par une contamination d'huile.
- L'usure de la pompe ou l'endommagement d'une valve causé par le non-respect des directives d'entretien correctes.
- Les moteurs à essence, si le produit est équipé d'un tel moteur : se reporter au manuel d'utilisation du moteur pour la couverture de la garantie spécifique du fabricant du moteur.

Pièces achetées séparément : la garantie pour les pièces achetées séparément, telles que les pompes, les moteurs, etc. s'applique comme suit :

À compter de la date d'achat

- | | |
|--|----------|
| • Toutes les pompes à un étage ou à deux étages | 1 an |
| • Moteurs électriques | 90 jours |
| • Moteur/pompe universel(le) | 30 jours |
| • Toute autre pièce | 30 jours |
| • Aucune autorisation de retour ne sera accordée pour les composants électriques une fois qu'ils sont installés. | |





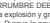



Comment obtenir du service? Afin d'être admissible au service sous garantie, vous devez être l'acheteur original au détail, et de fournir une preuve d'achat de l'un des concessionnaires de la société.

té, des distributeurs ou magasins de vente au détail. Compresseurs portatifs ou des pièces doivent être livrées, ou expédiés, au Centre de service agréé le plus proche. Tous les frais de transport et les frais associés de voyage doivent être pris en charge par le consommateur. S'il vous plaît appelez notre numéro sans frais 1-888-895-4549 pour une assistance.

CETTE GARANTIE VOUS ACCORDE DES DROITS LÉGAUX SPÉCIFIQUES ET VOUS POUVEZ BÉNÉFICIER D'AUTRES DROITS EN FONCTION DE L'ÉTAT OÙ CELLE-CI S'APPLIQUE.

LA SOCIÉTÉ N'OFFRE AUCUNE AUTRE GARANTIE NI REPRÉSENTATION DE QUELQUE SORTIE QUE CE SOIT, EXPRESSE OU IMPLICITE, EXCEPTION FAITE DE LA PROPRIÉTÉ. TOUTES LES GARANTIES IMPLICITES, EN PARTICULIER TOUTE GARANTIE DE COMMERCIALISATION ET D'ADÉQUATION À UN USAGE PARTICULIER, SONT REJETÉES PAR LA PRÉSENTE. TOUTE RESPONSABILITÉ POUR DES DOMMAGES INDIRECTS ET CORRESPONDANT À L'UNE QUELCONQUE DES GARANTIES ET À L'ENSEMBLE DE CELLES-CI, À D'AUTRES CONTRATS, À LA NÉGLIGENCE OU À D'AUTRES DÉLITS CIVILS, EST EXCLUE CONFORMÉMENT AUX CLAUSES D'EXCLUSION DE LA LOI.

REEMPLACEMENT GRATUIT DES ÉTIQUETTES D'AVERTISSEMENT : si les étiquettes d'avertissement deviennent illisibles ou sont manquantes, composer le 1-888-895-4549 pour en obtenir le remplacement gratuit.

<p>⚠ WARNING</p> <p>Before starting, read and understand operator manual for safe operation and maintenance. For replacement manual write to: Compressor Service, 118 West Rock Street, Springfield, MN 55007.</p> <p>Risk of fire or explosion - Gasoline vapor is highly flammable. Refuel outdoors in a well-ventilated area. DO NOT spray flammable liquid in a confined area or towards a hot surface. Spray area must be well-ventilated. DO NOT smoke while spraying or spray where people or flames are present. Arching sparks. Keep compressor at least 20 feet away from explosive tanks such as when spraying with a spray gun.</p> <p>Risk of carbon monoxide poisoning - Engine produces deadly exhaust. DO NOT use compressor in enclosed area.</p>	<p>Risk of bursting - Do not adjust regulator to result in output pressure greater than marked maximum pressure of attachment.</p> <p>RUST WEAKENS TANK may cause explosion and severe or fatal injury/property damage. Drain condensed water from tank after each use to reduce rusting. DO NOT weld on or repair tank - replace.</p> <p>Risk of injury - DO NOT direct air stream at body - DO NOT breathe when supplied gauges removed. Disconnect sprayer and drain all air pressure from tank before servicing and after each use. DO NOT use compressed air for breathing. Wear eye protection.</p> <p>UNLATCHER VALVE  START RUNNING</p>	<p>⚠ WARNING</p> <p>AVERTISSEMENT</p> <p>RISK OF BURSTING</p> <p>Prevent tank corrosion. After each usage, tilt tank to drain all moisture from tank.</p> <p>RISQUE D'ÉCLATEMENT</p> <p>Prévenir la corrosion en inclinant le réservoir pour drainer toute l'humidité après chaque usage.</p> <p>RIESGO DE EXPLOSION</p> <p>Prevenir la corrosión del tanque. Después de cada uso inclinar el tanque para drenar toda la humedad!</p> <p>MOISTURE DRAIN</p> <p>OPEN  DRY TANK  DRY TANK</p>
<p>⚠ AVERTISSEMENT</p> <p>Avant la mise en marche, lisez et comprenez le manuel d'opérateur pour assurer le fonctionnement et l'entretien. Pour obtenir un manuel de remplacement, écrivez à Compressor Service, 118 West Rock St., Springfield, MN 55007.</p> <p>Risque d'incendie ou d'explosion - Les vapeurs d'essence sont extrêmement inflammables. Remplissez le réservoir de carburant à l'extérieur ou dans un endroit bien aéré. Ne pas vaporiser de liquide inflammable dans un endroit confiné ou vers un objet brûlant. Les liquides ou le sel de la vaporisation doivent être bien ventilés. Ne pas fumer lors de la vaporisation ni vaporiser en présence d'étincelles ou de flammes. Ne pas utiliser l'appareil produit des arcs électriques - Placer le compresseur à au moins 7 m (20 ft) des réservoirs explosifs, comme lors de la vaporisation au pistolet.</p> <p>Risques d'empoisonnement par oxyde de carbone - Le moteur produit des gaz d'échappement mortels. Ne faites jamais fonctionner la machine dans un endroit clos.</p>	<p>Risque d'éclatement - Ne pas régler le régulateur de pression de sortie à une pression supérieure à la pression maximale indiquée sur l'étiquette d'attachement. POSSIBLE SAFFARIER DU TANK - RESERVUOR, causer l'explosion et des blessures ou la mort des dommages matériels. Purgez l'eau condensée du réservoir après chaque utilisation réduite rouille. Ne jamais réparer ou souder le réservoir d'un réservoir.</p> <p>Risque de blessures - Ne pas diriger le jet d'air vers l'opérateur. Débranchez le fil de la bougie d'allumage et déterminez toute la pression d'air du réservoir avant d'entretenir le compresseur et après chaque usage. Ne jamais faire fonctionner le modèle sans le protecteur de couronne. Le tir produit par un compresseur est peut être responsable. Porter des lunettes de protection.</p> <p>VALVE DE DÉCARRAGE  DÉMARRAGE FONCTIONNANT</p>	<p>Risque de explosión - No ajustar el regulador de presión de salida a una presión superior a la presión máxima marcada en el etiquetado. POSSIBLE SAFFARIER DEL TANK - RESERVUOR, causar explosión y graves lesiones o muerte de daños materiales. Purgue l'eau condensée du réservoir après chaque utilisation réduite rouille. Ne jamais réparer ou souder le réservoir d'un réservoir.</p> <p>Risque de lesiones - Nunca dirija el chorro de aire hacia el operador. Desconecte el cable de bujía y drene toda la presión de aire del tanque antes de realizar el servicio a este compresor y después cada uso. El aire comprimido no es apto para propósitos de respiración. «Lleve lentes de seguridad».</p> <p>VALVULA DE DESCARGA  ARRANQUE FUNCIONANDO</p>
<p>⚠ ADVERTENCIA</p> <p>Antes de arrancar la unidad, lea y entienda el manual del operador para la operación y mantenimiento seguros. Para obtener un manual nuevo escriba a Compressor Service, 118 West Rock Street, Springfield, MN 55007.</p> <p>Riesgo de incendio o explosión - El vapor de gasolina es altamente inflamable. Llene el depósito de combustible al aire libre en un área bien ventilada. Nunca rocíe líquidos inflamables dentro de una zona cerrada o hacia superficies calientes. Nunca fume al cargar o rociar en la presencia de una chispa o flama. Este aparato produce arcos eléctricos - Coloque el compresor por lo menos 7 m de los recipientes explosivos, como cuando rocíe con un pistoleta de rocío.</p> <p>Riesgo de ahogamiento con monóxido de carbono - El motor produce los nocivos gases de escape. Nunca se debe hacer funcionar la unidad en un área cerrada.</p>	<p>Riesgo de estallido - NUNCA ajuste el regulador de modo que la presión de salida sea mayor que la presión máxima marcada en el etiquetado. HERRUMBRE DEBILITA EL TANQUE, podría causar explosión y graves lesiones o muerte de daños a la propiedad. Purgue la agua condensada del tanque después de cada uso reducir la humedad. « Nunca repare ni suelde el tanque de aire-remplazo».</p> <p>Riesgo de lesiones - Nunca dirija la corriente de aire hacia el operador. « Desconecte el cable de bujía y drene toda la presión de aire del tanque antes de realizar el servicio a este compresor y después cada uso. « El aire comprimido no es apto para propósitos de respiración. « Lleve lentes de seguridad».</p> <p>VALVULA DE DESCARGA  ARRANQUE FUNCIONANDO</p>	<p>⚠ DANGER</p> <p>Using a gasoline engine without adequate ventilation CAN KILL YOU IN MINUTES. Gasoline engine exhaust contains carbon monoxide gas. It is a poison you cannot see or smell.</p> <p>⚠ DANGER</p> <p>L'utilisation d'un compresseur fonctionnant au moteur à essence sans ventilation adéquate PEUT VOUS TUER EN QUELQUES MINUTES. L'échappement d'un moteur à essence contient du monoxyde de carbone. Il s'agit d'un poison invisible et inodore.</p> <p>⚠ PELIGRO</p> <p>Usar un compresor con motor a gasolina EN UN MOMENTO PUEDE MATARLO EN MINUTOS. El humo de escape del motor a gasolina contiene monóxido de carbono. Es un veneno que no puedes ver ni oler.</p>
<p>NEVER use inside a home or garage. EVEN IF doors and windows are open.</p> <p>NE JAMAIS utiliser à l'intérieur d'une maison ou d'un garage. MÊME SI les portes et les fenêtres sont ouvertes.</p> <p>NUNCA lo use dentro de un hogar o cochera. INCLUSO SI las puertas y ventanas están abiertas.</p> 	<p>Only use OUTSIDE and far away from windows, doors and vents.</p> <p>N'utiliser qu'à l'EXTÉRIEUR, à l'écart des fenêtres, des portes et des ouvertures d'aération.</p> <p>Solo utilizar en EXTERIORES y lejos de las ventanas, puertas y ventilas.</p> 	<p>WARNING: CONTAINS LEAD May be harmful if swallowed. Wash hands after use. Keep out of reach of children.</p> <p>AVERTISSEMENT: CONTIENT DU PLOMB Peut être nocif si ingéré ou inhalé. Peut être nocif si on poseuse contacte du plomb. Tenir hors de la portée des enfants. Garder loin de la portée des enfants.</p> <p>AVERTISSEMENT: CONTIENE PLOMO Puede ser dañino si se ingiere o inhala. Puede generar plomo que contamina plomo. Llévate las manos después de usar. Manténgase lejos del alcance de los niños.</p> <p>AVERTENCIA: Este producto lo contiene plomo y puede contaminar. Manténgase lejos del alcance de los niños.</p> <p>AVERTENCIA: Este producto lo contiene plomo y puede contaminar. Manténgase lejos del alcance de los niños.</p> <p>AVERTENCIA: Este producto lo contiene plomo y puede contaminar. Manténgase lejos del alcance de los niños.</p> <p>AVERTENCIA: Este producto lo contiene plomo y puede contaminar. Manténgase lejos del alcance de los niños.</p>

GLOSSAIRE

Pi³/min (CFM) : pied cube par minute.

SCFM : pied cube par minute (standard), une unité de mesure du soufflage.

PSI : livres par pouce carré, une unité de mesure de pression.

Code de certifications : les produits qui affichent un ou plusieurs des étampes suivantes : UL[®]*, CUL, ETL[®]*, CETL ont été évalués pas un laboratoire de sécurité indépendant sanctionné par l'OSHA et qui répond aux normes en vigueur des en ce qui a trait à la sécurité.

** UL[®] est une marque de commerce déposée d'Underwriters Laboratories et ETL[®] est une marque de commerce déposée d'Electrical Testing Laboratories.*

Code californien : l'appareil pourrait être conforme au code de la Californie 462 (I) (2)/(M) (2). L'étiquette de spécifications/modèle est apposée sur le côté du réservoir d'air des appareils qui sont conformes au code californien.

Pression de déclenchement de la soupape de décompression : tous les modèles sont des appareils qui fonctionnent en continu et contrôlés par le réservoir d'air. La soupape de décompression du réservoir d'air se purgera dès que la pression maximale du réservoir est atteinte. Ainsi, le compresseur évacuera l'air dans l'atmosphère et non dans le réservoir. La décompression diminue la charge sur le moteur et lui permet de tourner à un régime presque à vide.

Pression de réinitialisation de la soupape de décompression : lorsque la pression du réservoir d'air chute sous une valeur de consigne, la soupape de décompression se ferme. La pression se développera de nouveau jusqu'à l'atteinte de la pression de déclenchement de la soupape de décompression.

Guide de dépannage

Cette section énumère les défaillances les plus communes, leurs causes et les mesures correctives. L'opérateur ou le personnel d'entretien peut exécuter certaines mesures correctives, d'autres exigent l'assistance d'un technicien DEWALT qualifié ou du distributeur.

Problème	Code
Pression excessive dans le réservoir d'air : la soupape de sûreté claque	1
Fuites d'air	2
Fuite d'air continue à la soupape de décompression.	3
Fuites d'air dans le réservoir d'air ou dans les soudures du réservoir d'air	4
Fuites d'air entre la tête et la plaque porte-soupapes	5
Fuites d'air à la soupape de sûreté	6
Le compresseur ne fournit pas la quantité d'air requise pour le fonctionnement d'accessoires	2, 7, 8, 9, 10, 12
Admission d'air restreinte.	12
Vibrations excessives	13
Cliquetis	6, 13
Moteur refuse de démarrer	14, 15, 16, 21
La pression affichée sur le manomètre réglé chute dès l'utilisation d'un accessoire	17
Fuite d'air continue au bouton du régulateur	18
Le régulateur ne parvient pas à fermer la sortie d'air	18
Pompe refuse de fonctionner	19
Pression du réservoir d'air ne se développe pas	19, 20

Codes de dépannage

CODE	CAUSE POSSIBLE	POSSIBLE SOLUTION
1	La soupape de décompression ne s'ouvre pas lorsque le réservoir d'air atteint la pression de déclenchement	Remplacer la soupape de décompression. Communiquer avec un centre de réparation en usine de DEWALT ou un centre de réparation agréé DEWALT.
2	Les raccords sont lâches	Serrer les raccords qui émettent un sifflement de fuite d'air. Contrôler les raccords avec une solution d'eau savonneuse. NE PAS TROP SERRER.
3	Soupape de décompression défectueuse	Arrêter le moteur, tourner le levier de décompression du blocage manuel en position perpendiculaire fermée . S'il y a présence de fuites d'air au réservoir par la soupape de décompression, la remplacer.
4	Réservoir d'air défectueux	Le réservoir d'air doit être remplacé. Ne pas réparer la fuite. ⚠️AVERTISSEMENT : Risque d'éclatement. Ne pas percer le réservoir d'air, ni le souder ou le modifier de quelque manière qui soit. Ces interventions l'affaibliront. Le réservoir risque de rompre ou d'exploser.
5	Joints d'étanchéité fuyants	Communiquer avec un centre de réparation en usine de DEWALT ou un centre de réparation agréé DEWALT.
6	Soupape de sûreté défectueuse	Faites fonctionner la soupape manuellement en tirant sur la bague. Si la soupape fuit toujours, la remplacer.
7	Utilisation excessive prolongée de l'air	Diminuer la quantité d'air utilisée.
8	Le compresseur ne dispose pas de la capacité adéquate pour l'utilisation d'accessoires	Vérifier les exigences d'air de l'accessoire. Si elles sont supérieures au SCFM ou à la pression fournie par le compresseur d'air, un compresseur de plus grande capacité est requis pour l'utilisation de l'accessoire.
9	Trou dans le tuyau d'air	Vérifier le tuyau et le remplacer le cas échéant.
10	Soupape de décompression obstruée	Retirer, nettoyer ou remplacer.
11	L'appareil fonctionne dans des conditions humides ou fraîches	Déplacer l'appareil dans un endroit sec bien aéré.
12	Filtre d'admission d'air obstrué	Nettoyer ou remplacer le filtre d'admission d'air.

CODE	CAUSE POSSIBLE	POSSIBLE SOLUTION
13	Écrous de montage du moteur ou lâches	Serrer les écrous de montage du moteur à un couple de 13,5 a 27,1 Nm/10 a 20 libras-pie. ⚠️AVERTISSEMENT : <i>Risque d'éclatement. Des vibrations excessives peuvent affaiblir le réservoir d'air et provoquer une rupture ou une explosion de celui-ci. Maintenir les vis de fixation bien serrées.</i>
14	Pression dans le réservoir d'air trop élevée	Ouvrir le régulateur et réduire la pression du réservoir à moins de 40 psi.
15	Moteur défaillant	Communiquer avec un centre de réparation en usine de DEWALT ou un centre de réparation agréé DEWALT.
16	Niveau d'huile moteur bas	Consulter le mode d'emploi du moteur.
17	Le régulateur n'est pas réglé correctement pour l'accessoire utilisé	Il est normal que la pression chute lorsqu'un accessoire est utilisé, ajuster le régulateur comme indiqué sous <i>Caractéristiques</i> si la pression chute trop. REMARQUE : Régler la pression régulée sous des conditions de travail avec l'utilisation de l'accessoire.
18	Régulateur endommagé	Le remplacer.
18	Levier de décompression du blocage manuel est en position ouverte	Tourner le levier de décompression du blocage manuel en position perpendiculaire fermée .
20	Régulateur ouvert	Tourner le bouton du régulateur en sens antihoraire jusqu'à fermeture complète.
21	Réservoir d'essence de la pompe vide	Ajouter de l'essence, consulter le mode d'emploi du moteur pour la bonne procédure.

Compresor de aire

- A. Filtro de entrada de aire de la bomba
- B. Filtro de aire del motor
- C. Interruptor de Encendido/Apagado del motor
- D. Manómetro del tanque de aire
- E. Manómetro regulado
- F. Regulador de presión
- G. Salida de aire
- H. Válvula de descarga
- I. Válvula de seguridad
- J. Válvula de drenaje del tanque de aire
- K. Válvula reguladora fija
- L. Control de estrangulación
- M. Palanca de la válvula de combustible
- N. Agarradera de arranque

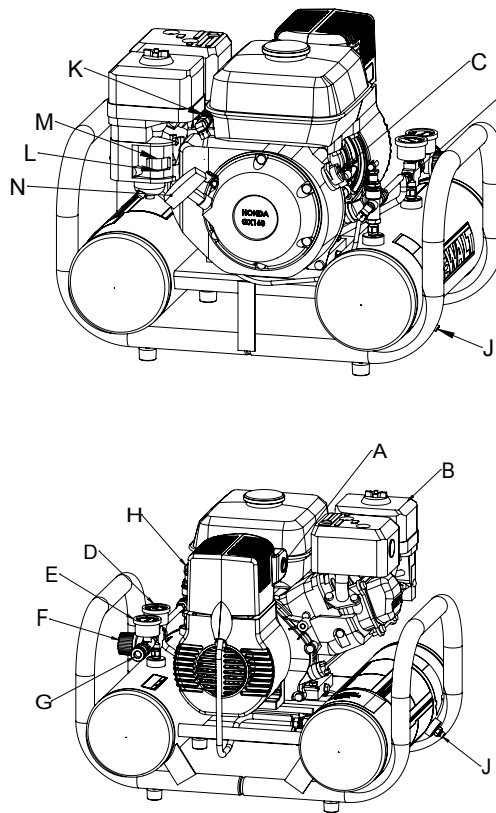
Especificaciones de la bomba

- Libre de aceite
- accionamiento directo
- Etapa sencilla

Especificaciones del motor

- Honda 163 cc
- Combustión interna
- 4 tiempos

FIG. 1



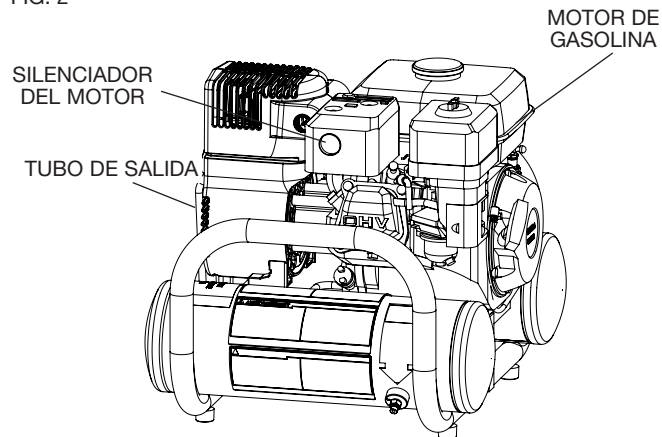
La unidad real puede variar ligeramente.

Especificaciones

MODELO	DXCMTA5590412
PESO	33,6 kg (93 lbs)
ALTURA	561 mm (22.1 pi)
ANCHO	549 mm (21,6 pi)
LONGITUD	620 mm (24,4 pi)
CAPACIDAD DEL TANQUE DE AIRE	15,1 liters (4 galones)
PRESIÓN APROXIMADA DE ALIVIO	155 psi
VALORES TÍPICOS @ 90 PSI SCFM	5,0 *
* Probado según la norma ISO 1217	

Superficies calientes

FIG. 2



Definiciones: Normas de seguridad

Las siguientes definiciones describen el nivel de gravedad de cada advertencia. Lea el manual y preste atención a estos símbolos.

⚠PELIGRO: Indica una situación de peligro inminente que, si no se evita, **provocará la muerte o lesiones graves.**

⚠ADVERTENCIA: Indica una situación de peligro potencial que, si no se evita, **podría provocar la muerte o lesiones graves.**

⚠ATENCIÓN: Indica una situación de peligro potencial que, si no se evita, **puede provocar lesiones leves o moderadas.**

AVISO: Se refiere a una práctica **no relacionada a lesiones corporales** que de no evitarse **puede resultar en daños a la propiedad.**

SI TIENE ALGUNA PREGUNTA O ALGÚN COMENTARIO QUE HACER CON RESPECTO A ESTA O CUALQUIER OTRA HERRAMIENTA DEWALT, LLÁMENOS SIN CARGO AL:

1-888-895-4549

Instrucciones de seguridad importantes

⚠PELIGRO: Monóxido de carbono. Usar un motor en interiores lo matará en minutos. El escape del motor contiene altos niveles de monóxido de carbono (CO), un gas venenoso que no se puede ver ni oler. Puede estar inhalando CO aún si **NO** huele los gases del escape del motor.

- **NUNCA** use un motor en el interior de casas, garajes, sótanos u otras áreas parcialmente cerradas. En esas áreas se pueden acumular niveles mortales de monóxido de carbono. Usar un ventilador o abrir las ventanas **NO** suministra suficiente aire fresco.
- **ÚSELO SOLAMENTE** en exteriores y lejos de ventilaciones, puertas y ventanas abiertas. Estas aberturas pueden atraer el

escape del motor.

- Aun cuando el motor se use correctamente, el CO se puede infiltrar en su hogar. Dentro de la casa, utilice **SIEMPRE** una alarma contra CO a batería o con batería de reserva (no suministrada). Antes de usar la alarma contra CO, lea y siga todas las instrucciones. Si comienza a sentir náuseas, mareos o debilidad, vaya a un lugar con aire fresco de inmediato. Consulte a un médico. Es posible que se haya envenenado con monóxido de carbono.

⚠ADVERTENCIA: No opere esta unidad hasta que haya leído este manual de instrucciones y el del motor y las instrucciones de seguridad, operación y mantenimiento.

⚠ADVERTENCIA: Es posible que este producto no esté equipado con un silenciador apagachispas. Si el producto no está equipado con este dispositivo y se va a usar alrededor de materiales inflamables o sobre tierra cubierta con materiales como cultivos agrícolas, bosques, malezas, césped u otros elementos similares, debe instalarle un apagachispas aprobado. Éste es un requisito legal en el estado de California. Que el motor no esté equipado con un apagachispas, como se define en la sección 4442 del Código de Recursos Públicos de California ni se mantenga en un estado de operación eficaz, constituye una violación a la sección 13050 y/o a las secciones 4442 y 4443 de los estatutos de California. Los apagachispas también se requieren en ciertas tierras del Servicio Forestal de los Estados Unidos, y pueden ser obligatorios por ley en virtud de otros estatutos y ordenanzas.

⚠ADVERTENCIA: CONTIENE PLOMO. Puede ser dañino si se ingiere o se mastica. Puede generar polvo que contenga plomo. Lávese las manos después del uso. Manténgalo fuera del alcance de los niños.

⚠ADVERTENCIA: Este producto le podría exponer a productos químicos incluyendo Plomo, reconocido por el Estado de

California como causante de cáncer, defectos de nacimiento u otros daños del sistema reproductivo. Para obtener más información, visite www.P65Warnings.ca.gov.

⚠ADVERTENCIA: El escape del motor de este producto contiene sustancias químicas reconocidas por el estado de California como causantes de cáncer, defectos de nacimiento u otros daños reproductivos. Lávese las manos después de utilizarlo.

GUARDE ESTAS INSTRUCCIONES



⚠PELIGRO: RIESGO DE EXPLOSIÓN O INCENDIO

¿QUÉ PUEDE SUCEDER?

- La gasolina derramada y sus vapores pueden encenderse a causa de chispas de cigarrillos, arcos eléctricos, gases de escape y componentes calientes del motor, tales como el silenciador.
- El calor expandirá el combustible dentro del tanque, lo que podría provocar un derrame y una posible explosión incendio.

CÓMO EVITARLO

- Apague el motor y deje que se enfríe antes de agregar combustible al tanque.
- Sea cuidadoso al llenar el tanque para evitar el derrame de combustible. Aleje la unidad del área combustible antes de encender el motor.
- Mantenga el nivel máximo de combustible a 12,7 mm (1/2 pulg.) por debajo de la parte inferior del cuello de llenado a fin de brindar espacio para la expansión del combustible.

- Los materiales combustibles que entran en contacto con los componentes calientes del motor pueden encenderse.
- Agregue combustible en el exterior, en un área bien ventilada. Asegúrese de que no haya fuentes de ignición, tales como cigarrillos cerca del lugar de recarga de combustible.
- Opere el compresor en un área limpia, seca, bien ventilada y a una distancia mínima de 1,22 m (48 pulg.) de cualquier edificación, objeto o pared. No opere la unidad dentro de la casa o en un área muy cerrada.
- Opere el compresor en un lugar abierto, alejado de malezas secas o de otros materiales combustibles.
- Almacene el combustible dentro de un contenedor aprobado por OSHA en un lugar seguro, lejos del área de trabajo.
- El combustible que no se almacena en forma correcta podría causar la ignición accidental. Si no se le resguarda adecuadamente, podría terminar en manos de niños u otras personas no calificadas.

- El funcionamiento sin atención de este producto podría provocar lesiones personales o daños a la propiedad. Para disminuir el riesgo de incendio, no permita que el compresor funcione sin que alguien lo controle.
- Permanezca siempre controlando el producto cuando está en funcionamiento.



▲ PELIGRO: RIESGO RESPIRATORIO (ASFIXIA)

¿QUÉ PUEDE SUCEDER?

- ¡La inhalación de vapores de escape causará lesiones graves o la muerte! El escape del motor contiene monóxido de carbono, un gas inodoro que es fatal.

CÓMO EVITARLO

- Opere siempre el compresor de aire en el exterior, en un área limpia y bien ventilada. Evite los lugares cerrados como garajes, sótanos, cobertizos de almacenamiento, que carecen de una renovación de aire continua. Mantenga a los niños, las mascotas y a otras personas lejos del área de operación.

- El aire comprimido que sale de su compresor no es seguro para respirarlo. El flujo de aire puede contener monóxido de carbono, vapores tóxicos o partículas sólidas del tanque de aire. Respirar estos contaminantes puede provocar lesiones graves o la muerte.
- La exposición a productos químicos en el polvo producido por las herramientas eléctricas al lijar, aserrar, esmerilar, taladrar y otras actividades de la construcción puede ser peligrosa.
- Los materiales pulverizados como pintura, solventes para pinturas, removedor de pintura, insecticidas y herbicidas pueden contener vapores dañinos y venenos.
- El aire que se obtiene directamente del compresor no se debe usar nunca para consumo humano. El compresor no incluye equipo de seguridad en línea y filtros adecuados para consumo humano.
- Trabaje en un área con buena ventilación cruzada. Lea y siga las instrucciones de seguridad que se proveen en la etiqueta o en la ficha técnica de los materiales que está utilizando. Siempre utilice equipamiento de seguridad certificado: protección respiratoria aprobada por NIOSH/OSHA o una mascarilla facial adecuada diseñada para usar para los fines que usted requiere.



⚠ADVERTENCIA: RIESGO DE EXPLOSIÓN

Tanque de aire: El 26 de febrero de 2002, la Comisión de Seguridad para Productos de Consumo de los Estados Unidos publicó el Comunicado # 02-108 sobre la seguridad en los tanques de compresores de aire:

Los tanques receptores de los compresores de aire no tienen una vida útil infinita. La vida útil del tanque depende de diversos factores, incluyendo las condiciones de operación, las condiciones ambientales, la instalación debida del mismo, modificaciones realizadas en el campo y el nivel de mantenimiento que reciba. Es difícil prever cuál será el efecto exacto de estos factores sobre la vida útil del tanque receptor de aire.

Si no se siguen procedimientos de mantenimiento debidos, la corrosión interna de la pared interior del tanque receptor de aire puede causar una ruptura imprevista en el tanque de aire, lo que hará que el aire presurizado escape con fuerza y repentinamente, pudiendo lesionar al usuario.

El tanque de su compresor de aire debe ser dado de baja al final del año que aparece en la etiqueta de advertencia de su tanque.

Las siguientes condiciones pueden llevar a debilitar el tanque de aire y ocasionar la explosión violenta del mismo:

¿QUÉ PUEDE SUCEDER?

- No drenar correctamente el agua condensada del tanque de aire, que provoca óxido y adelgazamiento del tanque de aire de acero.
- Modificaciones o intento de reparación del tanque de aire.
- Modificaciones no autorizadas de la válvula de descarga, la válvula de seguridad o cualquier otro componente que controle la presión del tanque de aire.

Elementos y accesorios:

- Exceder las indicaciones de presión para las herramientas neumáticas, las pistolas pulverizadoras, los accesorios neumáticos, los neumáticos y otros artículos inflables puede hacer que exploten o revienten, y puede provocar lesiones graves.

CÓMO EVITARLO

- Drene el tanque diariamente o luego de cada uso. Si un tanque de aire presenta una pérdida, reemplácelo inmediatamente con un tanque nuevo o reemplace todo el compresor.
- Nunca perforo, suelde o haga ninguna modificación al tanque de aire o a sus elementos. Nunca intente reparar un tanque de aire dañado o con pérdidas. Reemplácelo con un tanque de aire nuevo.
- El tanque de aire está diseñado para soportar determinadas presiones de operación. Nunca realice ajustes ni sustituya piezas para cambiar las presiones de operación fijadas en la fábrica.

- Siga la recomendación del fabricante del equipo y nunca exceda el nivel máximo de presión aceptable para los elementos. Nunca utilice el compresor para inflar objetos pequeños de baja presión, tales como juguetes de niños, pelotas de fútbol o de básquetbol, etc.

Neumáticos:

- El inflado excesivo de los neumáticos podría causar lesiones graves y daño a la propiedad.
 - Utilice un medidor de presión de neumáticos para controlar la presión de éstos antes de cada uso y mientras los infla; observe el flanco para ver la presión correcta del neumático.
- NOTA:** Los tanques de aire, los compresores y el equipo similar que se usa para inflar neumáticos pueden llenar neumáticos pequeños como éstos con mucha rapidez. Ajuste el regulador de presión en el suministro de aire a un valor que no supere el de la presión del neumático. Agregue aire en forma gradual y use con frecuencia el medidor de presión de neumáticos para evitar inflarlos.



⚠ADVERTENCIA: RIESGO DE OBJETOS DESPEDIDOS

¿QUÉ PUEDE SUCCEDER?

- La corriente de aire comprimido puede provocar lesiones en los tejidos blandos de la piel expuesta y puede impulsar suciedad, astillas, partículas sueltas y objetos pequeños a gran velocidad, que pueden producir daños en la propiedad y lesiones personales.

CÓMO EVITARLO

- Utilice siempre equipo de seguridad certificado: anteojos de seguridad ANSI Z87.1 (CAN/CSA Z94.3) con protección lateral al usar el compresor.
- Nunca apunte ninguna boquilla ni pulverizador a ninguna parte del cuerpo o a otras personas o animales.
- Apague siempre el compresor y drene la presión de la manguera de aire y del tanque de aire antes de intentar hacer mantenimiento, conectar herramientas o accesorios.



⚠ADVERTENCIA: RIESGO DE SUPERFICIES CALIENTES

¿QUÉ PUEDE SUCCEDER?

- Tocar metal expuesto como el cabezal del compresor, el cabezal del motor, el escape del motor, o los tubos de salida puede provocar quemaduras graves.

CÓMO EVITARLO

- Nunca toque ninguna parte metálica expuesta del compresor durante o inmediatamente después de su funcionamiento. El compresor continuará caliente durante varios minutos después de su funcionamiento.
- No toque las cubiertas protectoras ni intente realizar mantenimiento hasta que la unidad se haya enfriado.



⚠ADVERTENCIA: RIESGO POR PIEZAS MÓVILES

¿QUÉ PUEDE SUCCEDER?

- El motor puede arrancar en forma accidental si el volante se gira con la mano o si se mueve al tirar de la cuerda de arranque.

CÓMO EVITARLO

- Desconecte siempre la bujía y drene la presión del tanque de aire antes de realizar tareas de mantenimiento.

- Las piezas móviles como la polea, el volante y la correa pueden provocar lesiones graves si entran en contacto con usted o con sus ropas.
- Nunca haga funcionar el compresor sin los protectores o cubiertas o si los mismos están dañados.
- Mantenga el cabello, la ropa y los guantes alejados de las piezas en movimiento. Las ropas holgadas, las joyas o el cabello largo pueden quedar atrapados en las piezas móviles.
- Los orificios de ventilación pueden cubrir piezas en movimiento, por lo que también se deben evitar.
- Intentar hacer funcionar el compresor con partes dañadas o faltantes, o intentar reparar el compresor sin las cubiertas protectoras puede exponerlo a piezas móviles, lo que puede provocar lesiones graves.
- Cualquier reparación requerida por este producto debe ser realizada por un centro de servicio de fábrica DEWALT o un centro de servicio autorizado DEWALT.



⚠️ **ADVERTENCIA: RIESGO DE OPERACIÓN INSEGURA**

¿QUÉ PUEDE SUCEDER?

- La operación insegura de su compresor de aire podría producir lesiones graves o la muerte, a usted mismo o a otras personas.

CÓMO EVITARLO

- Revise y comprenda todas las instrucciones y advertencias de este manual.
- Familiarícese con la operación y los controles del compresor de aire.
- Mantenga el área de operaciones libre de personas, mascotas y obstáculos.
- Mantenga a los niños alejados del compresor de aire en todo momento.
- No opere el producto cuando esté cansado o bajo la influencia de alcohol o drogas. Manténgase alerta en todo momento.
- Nunca anule las características de seguridad de este producto.
- Equipe el área de operaciones con un extintor de incendios.
- No opere la máquina si faltan piezas, si éstas están rotas o si no son las autorizadas.
- Nunca se pare sobre el compresor.



⚠️ ADVERTENCIA: RIESGO DE LESIÓN POR LEVANTAR MUCHO PESO

¿QUÉ PUEDE SUCEDER?

- El intento de levantar un objeto muy pesado puede provocar lesiones graves.

CÓMO EVITARLO

- El compresor es demasiado pesado como para que lo levante una sola persona. Consiga ayuda de otras personas para levantarlo.



⚠️ ADVERTENCIA: RIESGOS POR RUIDO

¿QUÉ PUEDE SUCEDER?

- En determinadas condiciones y según el período de uso, el ruido provocado por este producto puede originar pérdida de audición.

CÓMO EVITARLO

- Utilice siempre equipo de seguridad certificado: protección auditiva ANSI S12.6 (S3.19).



⚠️ ADVERTENCIA: RIESGO DE LESIÓN O DAÑO A LA PROPIEDAD AL TRANSPORTAR O ALMACENAR LA UNIDAD

¿QUÉ PUEDE SUCEDER?

CÓMO EVITARLO

- Se puede producir una pérdida o derrame de aceite, lo que podría provocar peligro de incendio o inhalación, lesiones graves o la muerte. Los derrames de aceite dañarán alfombras, pintura u otras superficies de vehículos o remolques.
- Coloque siempre el compresor en un tapete protector cuando lo transporte, para proteger al vehículo de daños por pérdidas. Retire inmediatamente el compresor del vehículo una vez que haya llegado a destino. Mantenga siempre el compresor nivelado y nunca lo coloque de costado.

CONSERVE ESTAS INSTRUCCIONES PARA FUTURAS CONSULTAS

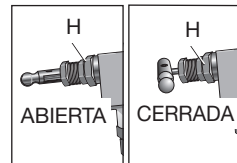
CARACTERÍSTICAS

VÁLVULA DE DESCARGA

Cuando se obtenga la presión máxima del tanque de aire, la válvula de descarga (H) se activará. Esto provocará que el compresor descargue el aire a la atmósfera y no al tanque. La válvula está calibrada desde fábrica y no se debe quitar ni modificar de ninguna forma.

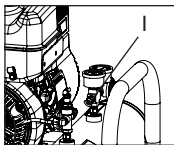
Bloqueo manual: El bloqueo manual le permite descargar manualmente el compresor con presión de aire en el tanque de aire. Para operar el bloqueo manual:

Gire la palanca de descarga de bloqueo manual a la posición de **abierta** para evitar la acumulación de presión en el tanque de aire. Gire la palanca de descarga de bloqueo manual a la posición de **cerrada** luego de encender el motor para permitir que se acumule presión en el tanque de aire. **NOTA:** El aire no se acumulará en el tanque cuando la palanca de descarga de bloqueo manual esté en la posición de abierta.



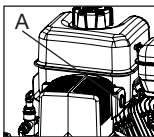
VÁLVULA DE SEGURIDAD

Esta válvula (I) está diseñada para prevenir fallas del sistema aliviando la presión cuando el aire comprimido alcanza un nivel predeterminado. La válvula está calibrada desde fábrica y no se debe quitar ni modificar de ninguna forma.



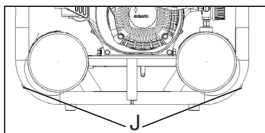
FILTRO DE ENTRADA DE AIRE

El filtro (A) está diseñado para limpiar el aire que ingresa a la bomba. Para asegurar que la bomba reciba continuamente un suministro de aire limpio, fresco y seco, el filtro debe estar siempre limpio y la entrada del filtro libre de obstrucciones.



VÁLVULA DE DRENAJE DEL TANQUE DE AIRE

La válvula de drenaje (J) se utiliza para eliminar la humedad del tanque de aire luego de apagar el motor.

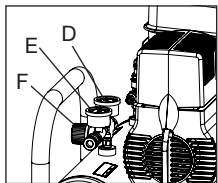


MANÓMETRO DEL TANQUE DE AIRE

El manómetro del tanque de aire (D) indica la presión de aire dentro del tanque de aire.

MANÓMETRO REGULADO

El manómetro regulado (E) indica la presión de aire disponible en la salida del regulador. Esta presión la controla el regulador y es siempre menor que, o igual a, la presión del tanque de aire.



REGULADOR

La perilla del regulador (F) controla la presión de aire proveniente del tanque de aire.

Ajuste del regulador:

1. Gire la perilla regulador en (F) las agujas del reloj para aumentar de la presión regulada y en sentido contrario para disminuirla de la regulada presión.

⚠ADVERTENCIA: *Riesgo de explosión. Demasiada presión de aire produce peligro de estallido. Controle el valor nominal máximo de presión del fabricante para las herramientas y los accesorios neumáticos. La presión de salida del regulador nunca debe exceder el valor máximo de presión.*

CONTROL DE GASES

Quando se alcanza la presión máxima del tanque de aire y la válvula de descarga ventila aire, se activa el control de gases en el motor. Esta característica de ahorro de gas mantiene el motor en una marcha en vacío fijada en fábrica hasta que la presión de aire del tanque baja a la presión de reajuste. La válvula de descarga reactiva luego el control de gases y acelera el motor a plena marcha.

INSTALACIÓN

Ensamblaje (Fig. 1)

INSTALACIÓN DE LAS MANGUERAS

⚠ADVERTENCIA: *Riesgo de operación insegura. Sostenga la manguera firmemente con las manos al instalarla o desconectarla para evitar la desconexión repentina de la manguera.*

1. Asegúrese de que el manómetro regulado marque 0 psi.
2. Coloque cinta selladora en las roscas de la manguera.
3. Ensamble la manguera a la salida de aire (G).

AVISO: No ensamble los separadores directamente a la salida de aire (G).

NOTA: Ensamblar conectores rápidos a las salidas de aire (G) y enchufes de conexión rápida a los extremos de la manguera hace que la conexión y la desconexión de las mangueras sea más simple

y fácil. Los conectores rápidos y los enchufes de conexión rápida se pueden comprar en un comercio minorista o en un centro de mantenimiento autorizado.

DESCONEXIÓN DE LAS MANGUERAS

⚠ADVERTENCIA: *Riesgo de operación insegura. Sostenga la manguera firmemente con las manos al instalarla o desconectarla para evitar la desconexión repentina de la manguera.*

1. Asegúrese de que el manómetro regulado marque 0 psi.
2. Retire la manguera de la(s) salida de aire (G).

Lubricación y aceite

MOTOR

1. El motor se llenó **CON** aceite en la fábrica. Controle el nivel de aceite del motor antes de operar la unidad. De ser necesario, llene el motor hasta el nivel adecuado con el aceite recomendado, consulte el procedimiento correcto en el manual de instrucciones del motor provisto por el fabricante.
2. Agregue combustible al motor. Consulte el procedimiento correcto en el manual de instrucciones del motor provisto por el fabricante.

⚠ADVERTENCIA: *Riesgo de explosión o incendio. El vapor de la gasolina es altamente inflamable. Cargue el combustible preferentemente en el exterior o solamente en áreas bien ventiladas. No cargue combustible ni controle el nivel de gasolina mientras el motor esté funcionando. No almacene, derrame ni use gasolina cerca de llamas, donde se generen chispas (como en soldaduras) o cerca de equipos eléctricos en funcionamiento.*

Compatibilidad

Las herramientas neumáticas y los accesorios que funcionan con el compresor deben ser compatibles con productos a base de petróleo. Si sospecha que un material no es compatible con pro-

ductos del petróleo se requiere un filtro de línea de aire que elimine la humedad y el vapor de aceite en el aire comprimido.

AVISO: Utilice siempre un filtro de línea de aire para eliminar la humedad y el vapor de aceite al pulverizar pintura.

Lugar

⚠PELIGRO: *Riesgo respiratorio. El escape del motor de gasolina contiene monóxido de carbono, un gas inodoro, tóxico y fatal. Opere el motor solamente en áreas bien ventiladas.*

AVISO: *Riesgo de daño a la propiedad. Para evitar daños en el compresor de aire, no permita que la unidad se incline más de 10° cuando esté en funcionamiento.*

Coloque el compresor de aire a una distancia de al menos 1,2 m (4 pies) de los obstáculos que puedan impedir una ventilación adecuada. Mantenga la unidad alejada de áreas que tengan suciedad, vapor y humo volátil en la atmósfera y que puedan atascar y retener el filtro de entrada y las válvulas, provocando un funcionamiento ineficiente.

CONSIDERACIONES SOBRE EL RUIDO

Consulte a las autoridades locales sobre los niveles de ruido aceptables en su zona. Para disminuir el ruido excesivo, utilice soportes antivibratorios o silenciadores, reubique la unidad o tabiques divisorios. Póngase en contacto con un centro de mantenimiento DEWALT o llame al 1-888-895-4549 para obtener ayuda.

TRANSPORTE

⚠ADVERTENCIA: *Riesgo de lesión por levantar mucho peso. La unidad pesa más de 154,3 kg (70 libras). No la mueva ni levante sin ayuda.*

AVISO: *Riesgo de daño a la propiedad. Coloque la palanca de la válvula de combustible (M) en la posición de APAGADO (OFF) antes de mover o transportar la unidad.*

Al transportar el compresor en un vehículo, remolque, etc., asegúrese de que el tanque de aire esté drenado y que la unidad se sujete y coloque en un tapete protector sobre una superficie horizontal y plana. **NO** transporte en una posición derecha.

NOTA: Si la unidad se inclina, se producirá un arranque con dificultad y humo debido al derrame de aceite.

PREPARACIÓN PARA EL USO

Lista de control previa a la puesta en marcha (Fig. 1)

1. Asegúrese de que el interruptor de ENCENDIDO/APAGADO (C) esté en la posición de APAGADO.
2. Asegúrese de que el tanque de aire se haya drenado, consulte **Drenar el tanque de aire en la sección Mantenimiento.**
3. Asegúrese de que la válvula de drenaje (J) esté cerrada.
4. Asegúrese de que la válvula de seguridad (I) funcione correctamente, consulte **Controlar la válvula de seguridad en la sección Mantenimiento.**

AVISO: No opere la unidad sin aceite o con aceite inadecuado. **DEWALT no se responsabiliza por las fallas del compresor provocadas por el uso de aceite inadecuado.**

5. Controle el nivel de combustible y aceite del motor, consulte los procedimientos correctos en el manual de instrucciones del motor.
6. Asegúrese de que todos los protectores, cubiertas y etiquetas estén en su lugar, sean legibles (en el caso de las etiquetas) y estén montados en forma segura. No utilice el compresor hasta que no haya verificado todos los puntos.

Configuración inicial (Fig. 1)

ADVERTENCIA: No opere esta unidad hasta que haya leído y

comprendido este manual de instrucciones y el del motor y las instrucciones de seguridad, operación y mantenimiento.

PROCEDIMIENTO DE PUESTA EN MARCHA INICIAL

AVISO: Riesgo de daño a la propiedad. No seguir cuidadosamente las siguientes instrucciones de puesta en marcha inicial puede provocar daños graves.

Se requiere este procedimiento:

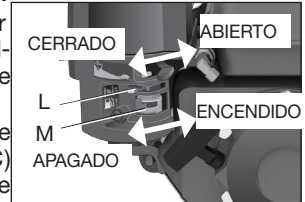
- Antes de utilizar el compresor de aire por primera vez.
- Cuando se ha reemplazado la válvula de descarga.

El procedimiento:

1. Siga la **Lista de control previa a la puesta en marcha** de la sección *Preparación para el uso*.
2. Gire la palanca de descarga de bloqueo manual a la **posición** de abierta para evitar la acumulación de presión en el tanque de aire.
3. Abra el regulador de presión. Gírela en del reloj hasta que se detenga.

ADVERTENCIA: No opere esta unidad hasta que haya leído y comprendido el manual de instrucciones de seguridad, operación y mantenimiento del motor.

4. Prepare el motor para utilizarlo por primera vez, consulte el procedimiento correcto en el manual de instrucciones del motor.
5. Ponga el interruptor de ENCENDIDO/APAGADO (C) del motor en la posición de ENCENDIDO.



6. Coloque la palanca de la válvula de combustible (M) en la posición de ENCENDIDO (ON).

7. Si el motor está frío, mueva el estrangulador (L) a la posición de CERRADO, como se muestra. Si el motor está caliente, mueva el estrangulador a la posición de ABIERTO.

⚠ADVERTENCIA: *Riesgo de operación insegura. Tire de la agarradera de arranque lentamente hasta sentir cierta resistencia. Luego, tire de la agarradera de arranque (N) rápidamente para evitar el retroceso y que se produzcan lesiones en las manos o los brazos.*

AVISO: No permita que la agarradera de arranque vuelva a su posición. Lentamente, colóquela nuevamente en posición en forma manual.

NOTA: Si el motor no arranca, controle el nivel de aceite y agregue aceite según sea necesario.

NOTA: Para asegurar una lubricación máxima de aceite, coloque la unidad en una superficie nivelada.

8. A medida que el motor se caliente, mueva el estrangulador hacia la POSICIÓN DE abierto.
9. Gire el bloqueo manual de la válvula de descarga hacia la posición de **cerrado** para que se acumule presión en el tanque de aire.
10. Cierre el regulador de presión. Gire la perilla del regulador (F) en sentido contrario las agujas del reloj hasta su tope incorporado. Esto permitirá que el aire haga presión en el tanque de aire.
11. Habrá aire comprimido disponible en la salida de aire de la manguera hasta que se utilice o descargue.

PROCEDIMIENTOS OPERATIVOS

Puesta en marcha (Fig. 1)

1. Siga la **Lista de control previa a la puesta en marcha** de la *sección Preparación para el uso*.
2. Gire la perilla del regulador (F) en sentido contrario del reloj

hasta que se cierre completamente. El manómetro regulado debe marcar 0 psi.a para disminuirla.

3. Gire la palanca de descarga de bloqueo manual a la posición **de abierta** para ayudar a la puesta en marcha.
4. Ponga el interruptor de ENCENDIDO/APAGADO (C) del motor en la posición de ENCENDIDO.
5. Coloque la palanca de la válvula de combustible (M) en la posición de ENCENDIDO (ON).
6. Si el motor está frío, mueva el estrangulador (L) a la posición de CERRADO, como se muestra. Si el motor está caliente, mueva el estrangulador a la posición de Abierto.

⚠ADVERTENCIA: *Riesgo de operación insegura. Tire de la agarradera de arranque lentamente hasta sentir cierta resistencia. Luego, tire de la agarradera de arranque (N) rápidamente para evitar el retroceso y que se produzcan lesiones en las manos o los brazos.*

AVISO: No permita que la agarradera de arranque vuelva a su posición. Lentamente, colóquela nuevamente en posición en forma manual.

NOTA: Si el motor no arranca, controle el nivel de aceite y agregue aceite según sea necesario.

NOTA: Para asegurar una lubricación máxima de aceite, coloque la unidad en una superficie nivelada.

7. A medida que el motor se caliente, mueva el estrangulador hacia la POSICIÓN DE abierto.
 8. Gire la palanca de descarga de bloqueo manual a la posición **de cerrada** para permitir que se acumule presión en el tanque de aire. **NOTA:** La bomba no funcionará con la palanca de descarga de bloqueo manual en la **posición** de abierta.
 9. Permita que el compresor bombee para **descargar** la presión.
- ⚠ADVERTENCIA:** Si observa algún ruido o vibración inusuales,

apague el compresor y consulte la sección de detección de problemas.

10. Conecte la manguera y los accesorios.

⚠ADVERTENCIA: *Riesgo de operación insegura. Sostenga la manguera firmemente con las manos al instalarla o desconectarla para evitar la desconexión repentina de la manguera.*

⚠ADVERTENCIA: *Riesgo de operación insegura. No utilice los accesorios dañados o usados.*

AVISO: *Daños a la propiedad. El aire comprimido de la unidad puede contener condensación de agua y emanación de aceite. No pulverice aire no filtrado sobre un artículo que podría dañarse con la humedad. Algunos dispositivos o herramientas neumáticas pueden requerir aire filtrado. Lea las instrucciones del dispositivo o la herramienta neumática.*

11. Ajuste el regulador (F) en la configuración deseada. Consulte el punto **Regulador** en la sección **Características**.

Apagado

1. Coloque el interruptor de ENCENDIDO/APAGADO (ON/OFF) del motor (C) en la posición de APAGADO (OFF).
2. Coloque la palanca de la válvula de combustible (M) en la posición de APAGADO (OFF).

NOTA: Si terminó de utilizar el compresor, siga los pasos 3 a 7.

3. Gire la perilla del regulador (F) en sentido contrario a las agujas del reloj hasta que esté completamente cerrada. Asegúrese de que el manómetro regulado marque 0 psi.
4. Retire la manguera y los accesorios.
5. Drene el tanque de aire. Consulte **Drenar el tanque de aire** en la sección **Mantenimiento**

AVISO: *Riesgo de daño a la propiedad. Coloque la palanca de la válvula de combustible (M) en la posición de APAGADO (OFF) antes de mover o transportar la unidad.*

⚠ADVERTENCIA: *Riesgo de explosión. Drene el tanque de aire diariamente. El agua se condensará en el tanque de aire. Si no se drena, el agua corroerá y debilitará el tanque de aire provocando el riesgo de rotura del mismo.*

6. Deje enfriar el compresor.

7. Limpie el compresor de aire y guárdelo en un área segura, que no se congele.

MANTENIMIENTO

⚠ADVERTENCIA: *Se deben seguir los siguientes procedimientos cuando se realicen tareas de mantenimiento o servicio en el compresor de aire.*

1. Asegúrese de que el interruptor de ENCENDIDO/APAGADO (C) esté en la posición de APAGADO.
2. Desconecte el cable de la bujía.
3. Drene el tanque de aire.
4. Deje enfriar el compresor de aire antes de comenzar las tareas de mantenimiento.

NOTA: Todos los sistemas de aire comprimido contienen piezas de mantenimiento (por ejemplo, aceite, filtros, separadores) que se reemplazan periódicamente. Estas piezas usadas pueden contener sustancias reguladas y se deben desechar conforme a las leyes y reglamentaciones locales, estatales y federales.

NOTA: Tome nota de las posiciones y ubicaciones de las piezas durante el desarmado para facilitar el reensamblaje.

NOTA: Cualquier tarea de mantenimiento no incluida en esta sección debe ser realizada por un centro de servicio de fábrica DEWALT o un centro de servicio autorizado DEWALT.

Tabla de mantenimiento

Procedimiento	Diariamente	Semanalmente	Mensualmente	1 vez al año o cada 200 horas	Remítase a la etiqueta de advertencia del tanque
Controlar la válvula de seguridad	X				
Inspeccionar el filtro de aire		X ⁺			
Drenar el tanque de aire	X				
Inspeccionar si hay pérdidas de aceite	X				
Controlar ruidos o vibraciones inusuales	X				
Verificar si hay pérdidas de aire	X*				
Limpiar el exterior del compresor		X			
El tanque debe ser dado de baja					X ⁺⁺
Motor	Consultar el manual de instrucciones del motor.				
* Para verificar si hay pérdidas de aire aplique una solución de agua jabonosa alrededor de las juntas. Mientras el compresor bombea para generar presión y luego de que la presión se corte, vea si se forman burbujas de aire.					
+ Más frecuente en lugares con humedad o polvo					
++ Para mayor información, llame al 1-888-895-4549					

Controlar la válvula de seguridad (Fig. 1)

⚠ADVERTENCIA: Superficies calientes. Riesgo de quemaduras. El posenfriador, el cabezal de la bomba y las piezas circundantes están muy calientes, no los toque (vea las Superficies calientes

identificadas en la Fig. 2). Espere hasta que el compresor se enfríe antes de realizar el mantenimiento.

⚠ADVERTENCIA: Riesgo de explosión. Si la válvula de seguridad no trabaja correctamente, puede haber sobrepresurización, provocando la rotura del tanque de aire o una explosión.

⚠ADVERTENCIA: Riesgo de objetos despedidos. Utilice siempre equipo de seguridad certificado: anteojos de seguridad ANSI Z87.1 (CAN/CSA Z94.3) con protección lateral al usar el compresor.

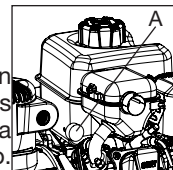
Antes de arrancar el compresor, tire del anillo de la válvula de seguridad para asegurarse de que la válvula de seguridad trabaja libremente. Si la válvula está atascada o no opera con facilidad, se la debe reemplazar con el mismo tipo de válvula.

Controlar el elemento del filtro de aire

⚠ADVERTENCIA: Superficies calientes. Riesgo de quemaduras. El posenfriador, el cabezal de la bomba y las piezas circundantes están muy calientes, no los toque (vea las Superficies calientes identificadas en la Fig. 2). Espere hasta que el compresor se enfríe antes de realizar el mantenimiento.

1. Asegúrese de que el interruptor de ENCENDIDO/APAGADO (C) esté en la posición de APAGADO.
2. Espere que la unidad se enfríe.
3. Retire el filtro (A).
4. Si el elemento requiere limpieza, sople con aire. Reemplácelo si es necesario. Compre las piezas de repuesto en un comercio minorista o en un centro de mantenimiento autorizado. Utilice siempre piezas de repuesto idénticas.
5. Coloque el filtro nuevamente en la base del filtro.

AVISO: Riesgo de operación insegura. No opere la unidad sin el filtro de entrada de aire.



Drenar el tanque de aire (Fig. 1)

⚠ADVERTENCIA: Riesgo de operación insegura. Riesgo por ruidos. Los tanques de aire contienen aire de alta presión. Mantenga la cara y otras partes del cuerpo lejos de la salida del drenaje. Utilice anteojos de seguridad [ANSI Z87.1 (CAN/CSA Z94.3)], ya que al drenar se pueden desprender residuos hacia la cara.

⚠ADVERTENCIA: Riesgo por ruidos. Utilice protección auditiva [ANSI S12.6(S3.19)], ya que el ruido del flujo de aire es alto durante el drenaje.

NOTA: Todos los sistemas de aire comprimido generan condensación que se acumula en cualquier punto de drenaje (por ejemplo, tanques, filtro, posenfriadores, secadores). Esta condensación contiene aceite lubricante y/o sustancias que pueden estar reguladas y que se deben desechar conforme a las leyes y reglamentaciones locales, estatales y federales.

1. Asegúrese de que el interruptor de ENCENDIDO/APAGADO (C) esté en la posición de APAGADO.
2. Gire de la perilla del regulador en sentido contrario para establecer la salida de presión en cero.
3. Remueva la herramienta neumática o el accesorio.
4. Tire del aro de la válvula de seguridad dejando purgar el aire del tanque hasta que este reduzca su presión aproximadamente a 20 PSI. Suelte el aro de la válvula de seguridad.
5. Drene el agua contenida en el tanque de aire, abriendo la válvula de drenaje (sentido antihorario) ubicada en la base del tanque.

⚠ADVERTENCIA: Riesgo de explosión. El agua se condensa dentro del tanque de aire. Si no se la drena, lo corroerá debilitando sus paredes, poniendo en riesgo la ruptura del

tanque de aire.

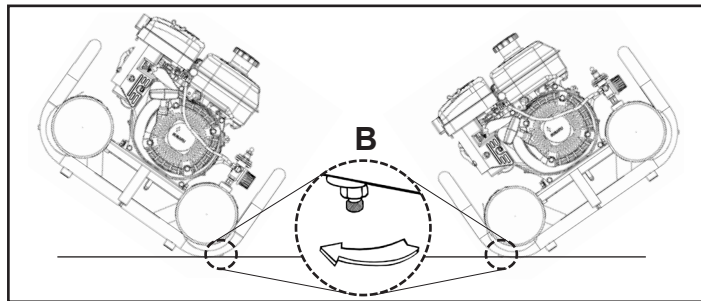
AVISO: Riesgo de daño a la propiedad. Drene el agua del tanque de aire puede contener aceite y óxido, lo que puede provocar manchas.

6. Una vez drenar el agua, cierre la válvula de drenaje (en sentido horario). Ahora el compresor de aire podrá ser guardado.

NOTA: Si la válvula de drenaje fuera del tipo enchufe, elimine toda la presión de aire. La válvula podrá entonces ser extraída, limpiada y finalmente reinstalada.

NOTA: Unidad de la inclinación a los depósitos de desagüe (vea B).

NOTA: En climas fríos, vacíe el tanque antes de cada uso, para reducir los problemas del congelamiento del agua de condensación.



ACCESORIOS

Los accesorios que se recomiendan para la herramienta están disponibles para la compra en su distribuidor local o en el centro de mantenimiento autorizado. Si necesita ayuda para localizar algún accesorio para su herramienta, comuníquese llame al 1-888-895-4549 o visite nuestro sitio Web www.dewalt.com.

⚠️ ADVERTENCIA: El uso de accesorios no recomendados para utilizar con esta herramienta puede resultar peligroso. Use solamente accesorios con una capacidad nominal igual o superior a la de la compresor de aire.

INFORMACIÓN DEL SERVICIO TÉCNICO

Tenga a mano la siguiente información cuando llame al mantenimiento:
Número del modelo _____ Número de serie _____
Fecha y lugar de compra _____

Reparaciones

Para asegurar la SEGURIDAD y la CONFIABILIDAD del producto, las reparaciones, el mantenimiento y los ajustes deben ser realizados por un centro de servicio de fábrica DEWalt, un centro de servicio autorizado DEWALT u otro personal de mantenimiento calificado. Utilice siempre piezas de repuesto idénticas.

Garantía limitada

Las herramientas de **DEWALT Industrial Tools** cuentan con garantía desde la fecha de compra.

Garantía limitada de **1 AÑO** en todos los compresores sin aceite. Esta garantía no es transferible a los propietarios posteriores.

DEWALT reparará o cambiará, sin cargo, a discreción de DEWALT, cualquier defecto debido a material o mano de obra defectuosa. Para mayores detalles sobre la cobertura de garantía e información sobre reparaciones bajo garantía, llame al 1-(888)-

895 4549 o visite dewalt.com. Esta garantía no es aplicable a accesorios o daños provocados por reparaciones realizadas o intentadas por terceros. Esta garantía tampoco aplica a mercancía vendida por DEWALT que ha sido fabricada por e identificada como el producto de otra compañía, como los motores a gasolina. En el caso, aplicará la garantía del fabricante, si existe.
CUALQUIER PÉRDIDA, DAÑO O GASTO QUE RESULTE INCIDENTAL O INDIRECTAMENTE, O COMO CONSECUENCIA DE ALGÚN DEFECTO, ALGUNA FALLA O AVERÍA DEL PRODUCTO NO ESTÁ CUBIERTO POR ESTA GARANTÍA.

Algunos estados no permiten la exclusión de un límite por daños incidentales o derivados, por lo que el límite o la exclusión anterior puede no aplicar a su caso. **LAS GARANTÍAS IMPLÍCITAS, INCLUYENDO AQUELLAS DE COMERCIABILIDAD O ACONDICIONAMIENTO PARA UN FIN DETERMINADO, ESTÁN LIMITADAS A UN AÑO A CONTAR DE LA FECHA DE COMPRA ORIGINAL.** Algunos estados no permiten límites sobre el plazo de duración de una garantía implícita, por lo que el límite anterior puede no aplicar a su caso. Esta garantía le otorga derechos específicos, además de los cuales puede tener otros dependiendo del estado o provincia en que se encuentre.

Qué hará la compañía: (la compañía) cubrirá piezas y mano de obra para corregir defectos importantes en los materiales y en la fabricación durante el primer año de propiedad, con las excepciones que se indican más adelante. Las piezas que se utilizan en la reparación de productos completos o accesorios están garantizadas por el resto del periodo de garantía original.

¿Qué no cubre esta garantía? Si el comprador al menudeo original no instala, mantiene y opera dicho equipo de acuerdo con las prácticas industriales estándar. Las modificaciones al producto o alteraciones a los componentes, o el incumplimiento con las recomendaciones específicas de la Compañía que se establecen en el manual del propietario, anularán esta garantía. La Compañía

no será responsable de reparaciones, reemplazos o ajustes al equipo, ni de costos de mano de obra realizada por el comprador sin la aprobación previa por escrito de la Compañía. Los efectos de la corrosión, erosión, condiciones ambientales circundantes, defectos cosméticos y elementos de mantenimiento de rutina, se excluyen específicamente de esta garantía. Los elementos de mantenimiento de rutina, como aceite, lubricantes y filtros de aire, así como los cambios de aceite, filtros de aire, tensión de bandas, etc., son responsabilidad del propietario. Otras exclusiones incluyen: daños durante el flete, fallas originadas por negligencia, accidente o abuso, motores de inducción cuando es operado desde un generador, filtraciones de aceite, fugas de aire, consumo de aceite, acoples con fugas, mangueras, grifos, tubos de purga y tubos de transferencia.

- Los siguientes componentes se consideran artículos de desgaste por el uso normal y no están cubiertos después del primer año de posesión: Correas, roldanas, volantes, válvulas de retención, interruptores de presión, descargadores neumáticos, controles de aceleración, motores eléctricos, escobillas, reguladores, anillos en O, manómetros, tubos, tuberías, acoplamientos, sujetadores, ruedas, acopladores rápidos, empaquetaduras, sellos, carcasas de filtro de aire, anillos de pistón, varillas de conexión y sellos de pistón.
- Los costos de mano de obra, llamadas de servicio y viajes, no están cubiertos después del primer año de propiedad de los compresores estacionarios (compresores sin asas o ruedas). No están cubiertas las reparaciones que requieren horas extraordinarias, tarifas de fin de semana o cualquier otro costo que supere las tarifas por mano de obra estándar del taller.
- Tiempo requerido para la capacitación de orientación con el fin de que el centro de servicio obtenga acceso al

producto, o tiempo adicional debido a un egreso inadecuado.

- Daño causado por un mantenimiento inadecuado del filtro.
- Desgaste de la bomba o daño causado por cualquier contaminación del aceite.
- Desgaste de la bomba o daño en la válvula causado por el hecho de no seguir las directrices de mantenimiento apropiadas.
- Para motores a gas, si el producto está equipado con un motor a gas, consulte en el manual la cobertura de garantía del fabricante para el motor específico. Piezas que se compran por separado: las garantías de las piezas que se compran por separado, como bombas, motores, etc., son las siguientes:

A partir de la fecha de compra




- | | |
|---|---------|
| • Todas las bombas de una y dos etapas | 1 año |
| • Motores eléctricos | 90 días |
| • Bomba/motor universal | 30 días |
| • Todas las otras piezas | 30 días |
| • No se expedirá una autorización de devolución para los componentes eléctricos una vez que estén instalados. | |

¿Cómo puede obtener servicio? Con el fin de ser elegible para el servicio bajo esta garantía debe ser el comprador original, y proporcionar comprobante de compra de uno de los distribuidores de la empresa, distribuidores, o las tiendas minoristas de salida. Compresores de aire portátiles o componentes deben ser entregados o enviados, al Centro de Servicio Autorizado más cercano. Todos los costos de flete y los gastos asociados a viajes deben ser pagados por el consumidor. Por favor llame a nuestro número gratuito 1-888-895-4549 para obtener ayuda.

ESTA GARANTÍA LE OTORGA DERECHOS LEGALES ESPECÍFICOS, Y ES POSIBLE QUE TAMBIÉN TENGA OTROS DERECHOS QUE VARIAN DE UN ESTADO A OTRO. LA COMPAÑÍA NO HACE REPRESENTACIÓN O GARANTÍA ALGUNA, YA SEA EXPRESA O IMPLÍCITA, A EXCEPCIÓN DE LA DEL TÍTULO DE PROPIEDAD. POR LA PRESENTE, LA COMPAÑÍA NO ASUME NINGUNA GARANTÍA IMPLÍCITA, INCLUIDAS LAS GARANTÍAS DE COMERCIABILIDAD Y DE IDONEIDAD PARA UN PROPÓSITO ESPECÍFICO. SE EXCLUYE TODA RESPONSABILIDAD POR DAÑOS Y PERJUICIOS EMERGENTES O INCIDENTALES EN VIRTUD DE CUALQUIER OTRA GARANTÍA, OTROS CONTRATOS, NEGLIGENCIA U OTROS ACTOS DE AGRAVO EN LA MEDIDA EN QUE LA LEY LO PERMITA.

REEMPLAZO GRATUITO DE LAS ETIQUETAS DE ADVERTENCIA:

Si sus etiquetas de advertencia se tornan ilegibles o faltan, llame al 1-888-895-4549 para que se le reemplacen gratuitamente.

<p>WARNING</p> <p>Before starting, read and understand operator manual for safe operation and maintenance. For replacement manual write to: Compressor Service, 118 West Rock Street, Springfield, MN 55077.</p> <p>Risk of fire or explosion: Gasoline vapor is highly flammable. Refuel outdoors or in well-ventilated area. • DO NOT spray flammable liquid in a confined area or towards a hot surface. • Spray area must be well-ventilated. • DO NOT smoke while spraying or spray where sparks or flames may occur. • Arching parts. Keep compressor at least 20 feet away from explosive vapors, such as when spraying with a spray gun.</p> <p>Risk of carbon monoxide poisoning: Engine produces deadly exhaust. DO NOT run compressor in enclosed area.</p>	<p>Risk of bursting: Do not adjust regulator to result in output pressure greater than marked maximum pressure of attachment. • RUST WEAKENS TANK, may cause explosion and severe or fatal equipment damage. Drain condensed water from tank after each use to reduce rusting. • DO NOT weld on or repair tank - replace.</p> <p>Risk of injury: DO NOT direct air stream at body. • DO NOT breathe any supplied gases removed. • Obstructed spraying and drain all air pressure from tank before servicing and after each use. DO NOT use compressed air for breathing. Wear eye protection.</p> <p>UNLACER VALVE  START RUNNING</p>
<p>AVERTISSEMENT</p> <p>Avant de commencer le travail, lisez et comprenez le manuel d'opérateur pour sécurité de fonctionnement et entretien. Pour obtenir un manuel de remplacement, écrivez le Compressor Service, 118 West Rock St., Springfield, MN 55077.</p> <p>Risque d'incendie ou d'explosion: Les vapeurs d'essence sont extrêmement inflammables. Remplissez le réservoir de carburant à l'extérieur ou dans un endroit bien aéré. • Ne pas vaporiser de liquides inflammables dans un endroit confiné ou vers un objet très chaud. • Les liquides ou le bétail de la vaporisation doivent être bien ventilés. • Ne pas fumer lors de la vaporisation ni respirer en présence d'émanations ou de flammes. • Out appareil produit des arcs électriques: Placer le compresseur à au moins 20 (20) pi des vapeurs explosives, comme lors de la vaporisation au pistolet.</p> <p>Risques d'empoisonnement par oxyde de carbone: Le moteur produit des gaz d'échappement mortels. Ne faites jamais fonctionner la machine dans un endroit clos.</p>	<p>Risque d'éclatement: Ne pas régler le régulateur de pression de sortie à une pression supérieure à la pression maximale indiquée pour l'accessoire. • ROUILLE S'AFFAIBLIT DU RÉSERVOIR, causer l'explosion et des blessures ou la mort des dommages matériels. Purgez l'eau condensée du réservoir après chaque utilisation régulière. • Ne jamais réparer ou souder le réservoir d'un réservoir.</p> <p>Risque de blessure: Ne pas diriger le jet d'air vers l'opérateur. • Débranchez le fil de la bougie d'allumage et déterminez toute la pression d'air du réservoir avant d'entretenir le compresseur et après chaque usage. • Ne jamais faire fonctionner le modèle sans le constructeur de course. • L'air produit par un compresseur n'est pas respirable. • Porter des lunettes de protection.</p> <p>VALVE DE DÉCARBURAGE  DÉMARRAGE FONCTIONNANT</p>
<p>ADVERTENCIA</p> <p>Antes de arrancar la unidad, lea y entienda el manual del operador para la operación y mantenimiento segura. Para obtener un manual nuevo escriba: Compressor Service, 118 West Rock Street, Springfield, MN 55077.</p> <p>Riesgo de incendio o explosión: El vapor de gasolina es altamente inflamable. Llene el cilindro de combustible o el área de ventilación. • Nunca rocíe líquidos inflamables dentro de una zona cerrada o hacia una superficie caliente. • La zona de rocío debe estar bien ventilada. • Nunca fume al rociar ni rocíe en la presencia de una chispa o llama. • Este unidad produce arcos eléctricos: Mantenga el compresor por lo menos 20 (20) pies de los vapores explosivos, como cuando rocíe con un pistolet de rocío.</p> <p>Riesgo de envenenamiento con monóxido de carbono: El motor produce los nocivos gases de escape. Nunca se debe hacer funcionar la unidad en un área cerrada.</p>	<p>Riesgo de estallido: NUNCA ajuste el regulador de modo que la presión de salida sea mayor que la presión máxima marcada en el soldador. • HERUMBRIDE DEBILITA EL TANQUE, podría dar como resultado la explosión y graves lesiones o muerte de daños a la propiedad. Purgue la agua condensada del tanque después de cada uso para reducir humedades. • Nunca repare ni suelde el tanque de aire-reemplazable.</p> <p>Riesgo de lesiones: Nunca dirija la corriente de aire hacia el cuerpo. • Nunca opere la unidad en las defensas provistas.</p> <p>Desconecte el cable de bujía y drene toda la presión de aire del tanque antes de realizar el servicio a este compresor y después cada uso. • El aire comprimido no es apto para propósitos de respiración. • Lleve lentes de seguridad.</p> <p>VALVULA DE DESCARGA  ARRANQUE FUNCIONANDO</p>

WARNING
AVERTISSEMENT
ADVERTENCIA


RISK OF BURSTING
RISQUE D'ÉCLATEMENT
RISGO DE EXPLOSION


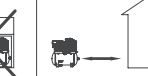

Prevent tank corrosion. After each usage, fill tank to drain all moisture from tank.

Prevenir la corrosión en el tanque. Después de cada uso inclinar el tanque para drenar toda la humedad.

Prevenir la corrosión del tanque. Después de cada uso inclinar el tanque para drenar toda la humedad.

MOISTURE DRAIN

OPEN 

<p>! DANGER</p> <p>Using a gasoline engine driven compressor indoors CAN KILL YOU IN MINUTES. Gasoline engine exhaust contains carbon monoxide. This is a silent poison you cannot see or smell.</p>	<p>! DANGER</p> <p>L'utilisation d'un compresseur fonctionnant avec un moteur à essence à l'intérieur PEUT VOUS TUER EN QUELQUES MINUTES. L'échappement d'un moteur à essence contient le monoxyde de carbone. Il s'agit d'un poison invisible et inodore.</p>	<p>! PELIGRO</p> <p>Usar un compresor de motor a gasolina en interiores PUEDE MATARLO EN MINUTOS. El humo de escape del motor a gasolina contiene monóxido de carbono. Es un veneno que no puede ver ni oler.</p>
<p></p> <p>NEVER use inside a home or garage, EVEN if doors and windows are open.</p> <p>NE JAMAIS utiliser à l'intérieur d'une maison ou d'un garage, MÊME si les portes et les fenêtres sont ouvertes. NUNCA lo use dentro de un hogar o cochera, INCLUSO si las puertas y ventanas están abiertas.</p>	<p></p> <p>Only use OUTSIDE and far away from windows, doors and vents.</p> <p>N'utilisez qu'à l'EXTÉRIEUR, à l'écart des fenêtres, des portes et des ouvertures d'aération.</p> <p>Solo úsalo en EXTERIORES a saga de las ventanas, puertas y ventiladas.</p> <p>2024/07/24 10:14:11</p>	<p></p> <p>Only use OUTSIDE and far away from windows, doors and vents.</p> <p>N'utilisez qu'à l'EXTÉRIEUR, à l'écart des fenêtres, des portes et des ouvertures d'aération.</p> <p>Solo úsalo en EXTERIORES a saga de las ventanas, puertas y ventiladas.</p> <p>2024/07/24 10:14:11</p>

WARNING: CONTAINS LEAD. May be harmful if swallowed or inhaled. May generate dust containing lead. Wash hands after use. Keep out of reach of children.

! WARNING: This product can expose you to chemicals including Lead, which is known to the State of California to cause cancer and birth defects or other reproductive harm. For more information go to www.cdph.ca.gov

AVERTISSEMENT: CONTIENT DU PLOMB. Peut être nocif s'il est ingéré ou inhalé. Peut générer de la poussière contenant du plomb. Se laver les mains après usage. Gardez hors de la portée des enfants.

! ADVERTENCIA: Este producto puede exponerle a productos químicos, como Plomo, reconocido por el Estado de California como causante de cáncer, malformaciones congénitas o otros defectos de nacimiento. Para obtener más información, visite www.cdph.ca.gov

ADVERTENCIA: CONTIENE PLOMO. Puede ser dañino si se ingiere o inhala. Puede generar polvo que contenga plomo. Lávese las manos después de usar. Manténgalo lejos del alcance de los niños.

ADVERTENCIA: Este producto le puede exponer a productos químicos incluyendo Plomo, reconocido por el Estado de California como causante de cáncer, malformaciones congénitas o otros defectos de nacimiento. Para obtener más información, visite www.cdph.ca.gov

Español

GLOSARIO

CFM: pies cúbicos por minuto.

SCFM: pies cúbicos estándar por minuto; unidad de medida de suministro de aire.

PSI: libras por pulgada cuadrada relativo a la presión atmosférica; unidad de medida de presión.

Certificación de código: Los productos que tienen una o más de las indicaciones siguientes: UL[®], CUL, ETL[®], CETL, han sido evaluados por los laboratorios de seguridad independientes certificados de OSHA y cumplen los estándares de seguridad de cuya aplicación corresponda.

* UL[®] es una marca registrada de Underwriters Laboratories y ETL[®] es una marca registrada de Electrical Testing Laboratories.

Código de California: la unidad puede cumplir con las secciones (I) (2)/(M) (2) del Código 462 de California. La etiqueta de especificaciones/modelo se encuentra en el costado del tanque de aire en las unidades que cumplen con el Código de California.

Presión de alivio de descarga: todos los modelos son unidades de funcionamiento continuo controladas por presión del tanque de aire. Cuando se obtenga la presión máxima del tanque de aire, la válvula de descarga se activará. Esto provocará que el compresor descargue el aire a la atmósfera y no al tanque. Esto disminuye la carga sobre el motor y permite que funcione prácticamente sin carga.

Presión de reajuste de descarga: cuando la presión del tanque de aire baja a un punto predeterminado, la válvula de descarga se cierra. La presión del tanque de aire se incrementará ahora hasta que alcance la presión de alivio de descarga.

Guía de detección de problemas

Esta sección proporciona una lista de las fallas que se presentan con mayor frecuencia, sus causas y las medidas correctivas correspondientes. El operador o el personal de mantenimiento pueden llevar a cabo algunas de estas acciones correctivas, pero es posible que otras necesiten la asistencia de un técnico DEWALT calificado o de su distribuidor.

Problema	Código
Presión excesiva en el tanque de aire: la válvula de seguridad salta	1
Pérdidas de aire	2
Pérdida constante de aire en la válvula de descarga.	3
Pérdidas de aire en el tanque de aire o en las soldaduras del tanque de aire	4
Pérdidas de aire entre el cabezal y la placa de la válvula	5
Pérdidas de aire de la válvula de seguridad	6
El compresor no suministra suficiente aire para operar los accesorios	2, 7, 8, 9, 10, 12, 13
Entrada restringida de aire.	12
Vibración excesiva.....	13
Ruido de golpeteo	6, 13
El motor no funciona	14, 15, 16, 21
La lectura de la presión en el manómetro regulado cae cuando se usa un accesorio	17
La perilla del regulador tiene una pérdida constante de aire.....	18
El regulador no cierra la salida de aire.....	18
La bomba no funciona	19
No se acumula presión en el tanque de aire.....	19, 20

Códigos de detección de problemas

CÓDIGO	CAUSA POSIBLE	SOLUCIÓN POSIBLE
1	La válvula de descarga no libera presión cuando el tanque de aire alcanza la presión de alivio	Se debe reemplazar la válvula de descarga. Comuníquese con un centro de servicio de fábrica DEWALT o con un centro de servicio autorizado DEWALT.
2	Las conexiones no están ajustadas	Ajuste las conexiones en los lugares donde sienta escapes de aire. Controle las conexiones con una solución de agua jabonosa. NO AJUSTE DEMASIADO.
3	Válvula de descarga defectuosa	Apague el motor, gire la palanca de descarga de bloqueo manual a la posición perpendicular de cerrada. Si hay pérdida de aire del tanque de aire a través de la válvula de descarga, reemplácela.
4	Tanque de aire defectuoso	Se debe reemplazar el tanque de aire. No repare la pérdida. ⚠ADVERTENCIA: Riesgo de explosión. No perfore, suelde ni modifique el tanque de aire o el mismo se debilitará. El tanque de aire se puede romper o explotar.
5	Sellos de pérdidas	Comuníquese con un centro de servicio de fábrica DEWALT o con un centro de servicio autorizado DEWALT.
6	Válvula de seguridad defectuosa	Opere la válvula de seguridad manualmente tirando del anillo. Si la válvula aún pierde, debe ser reemplazada.
7	Uso excesivo y prolongado de aire	Disminuya el uso de aire.
8	El compresor no es lo suficientemente grande para el accesorio	Controle los requisitos de aire del accesorio. Si es mayor que el flujo de aire o la presión provista por su compresor de aire, necesita un compresor más grande para operar el accesorio.
9	Agujero en la manguera de aire	Controle y reemplace la manguera de aire de ser necesario.
10	Válvula de descarga restringida	Retire, limpie o reemplace.
11	La unidad funciona en lugares húmedos o mojados	Traslade la unidad a un área seca y bien ventilada.
12	Filtro de entrada de aire restringido	Limpie o reemplace el filtro de entrada de aire.
13	Las tuercas de montaje del motor están flojas	Aplice una torsión de 13,5–27,1 Nm (10–20 pi-lb) a las tuercas de montaje del motor. ⚠ADVERTENCIA: Riesgo de explosión. La vibración excesiva puede debilitar el tanque de aire y provocar rotura o explosión. Los tornillos de montaje se deben mantener ajustados.

CÓDIGO	CAUSA POSIBLE	SOLUCIÓN POSIBLE
14	La presión en el tanque de aire es demasiado elevada	Abra el regulador y reduzca la presión del tanque de aire a menos de 40 psi.
15	Problema del motor	Comuníquese con un centro de servicio de fábrica DEWALT o con un centro de servicio autorizado DEWALT.
16	El nivel de aceite del motor es bajo	Consultar el manual de instrucciones del motor.
17	El regulador no está correctamente ajustado para el uso de un accesorio	Es normal que se presente alguna caída de presión cuando se usa un accesorio, ajuste el regulador como se indica en Regulador en la sección Características si la caída es excesiva. NOTA: Ajuste la presión regulada bajo condiciones de flujo mientras se usa el accesorio.
18	Regulador dañado	Reemplace.
19	Palanca de descarga de bloqueo manual en la posición de abierta	Gire la palanca de descarga de bloqueo manual a la posición perpendicular de cerrada .
20	Regulador abierto	Gire la perilla del regulador en sentido contrario del reloj hasta su tope incorporado.
21	Tanque de combustible del motor vacío	Agregue gasolina, consulte el procedimiento correcto en el manual de instrucciones del motor.



***For product, service or warranty information contact us at:
Para el producto, servicio o información sobre la garantía contacte con nosotros en:
Pour les produits, services ou informations sur la garantie nous contacter à:***

1-888-895-4549

www.dewalt.com

MAT Industries, LLC, Long Grove, IL 60047

Under license from DEWALT Industrial Tool Co.

Bojo licencia de DEWALT Industrial Tool Co.

Sous licence de DEWALT Industrial Tool Co.

The following are trademarks for one or more DEWALT power tools: the yellow and black color scheme; the "D" shaped air intake grill; the array of pyramids on the handgrip; the kit box configuration; and the array of lozenge shape humps on the surface of the tool.

Las siguientes son características únicas de una o más herramientas eléctricas y accesorios de DEWALT: El esquema de color amarillo y negro, la parrilla de admisión de aire en "D", la formación de pirámides en el mango, la configuración de la caja de herramientas y la formación de rombos en la superficie de la herramienta.

Vous trouverez ci-après les marques de commerce d'un ou plusieurs outils électriques et accessoires DEWALT. L'agencement de couleurs jaune et noir, la grille d'admission d'air en forme de "D", la distribution de pyramides sur la poignée, le format du boîtier et la matrice complexe de bosses en forme de losanges sur la surface de l'outil.