



**Assembly and Mounting  
Instructions  
for Outboard Motor Dolly  
27580**  
cesmith.com

**TOOLS REQUIRED**

- 2- 17mm Wrenches
- 1- 13mm Wrench
- 1- 12mm Wrench

1. Insert and tighten bolts as shown in Figure 1.
2. Install axle and wheels, with washers on both sides of wheel. Insert the cotter pin and bend.
3. You can now mount your motor that weighs no more than 250 lbs.
4. To store motor dolly remove bolts Location A, fold the top half down the insert and tighten the bolt to Location B for bolt storage, as shown in Figure 2.

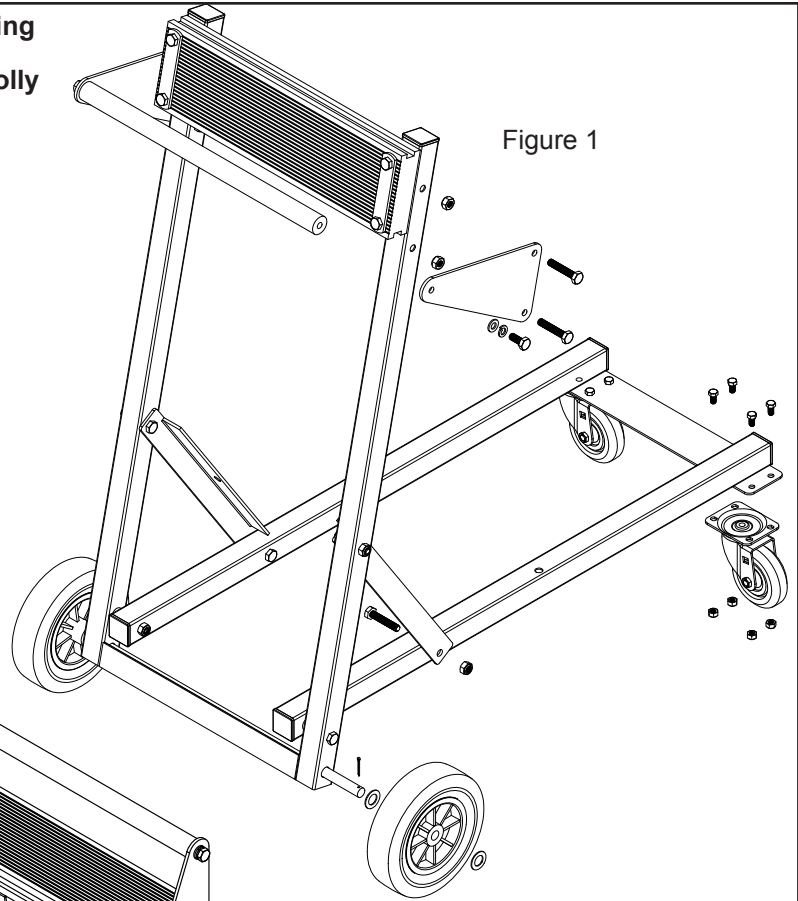


Figure 1

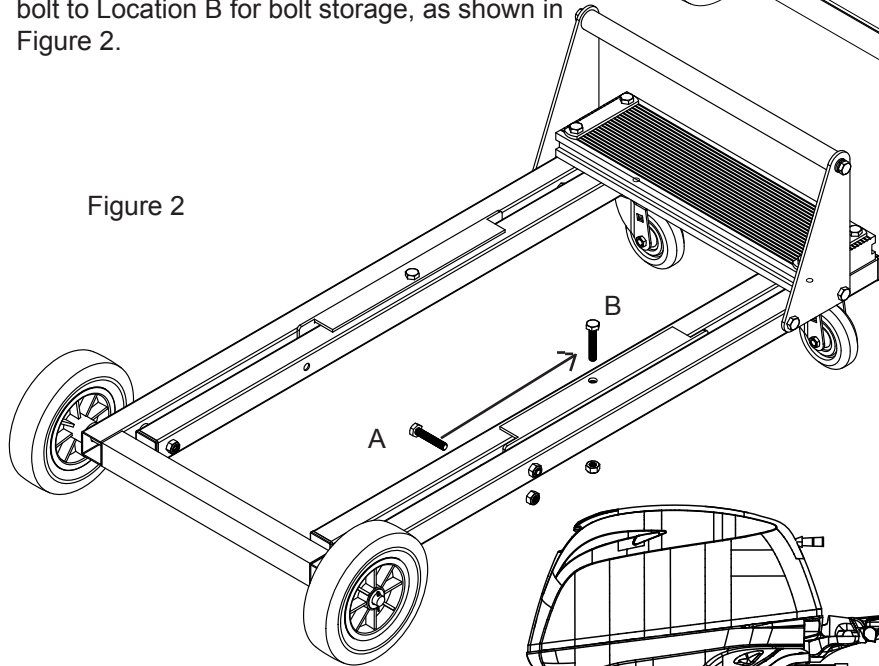


Figure 2

Please visit  
[www.cesmithco.com](http://www.cesmithco.com)  
to see more products and  
information.

