



M94996A.1

ITEM NUMBER: 94996

SERIAL NUMBER: _____

Owner's Manual

Instructions for Assembly and Operation for sprayer models:
2681022, 26810011, 2681201, 2681101, 26812101,
2287182, 99916, 99917

Boom Conversion Kit:

Outdoor agriculture sprayer attachment used to convert NorthStar spot sprayers to broadcast sprayers.

WARNING

READ and UNDERSTAND the Owner's Manual completely before using this item. Assemble, test, and use only in accordance with the Owner's Manual instructions.

READ and FOLLOW chemical safety instructions. Pesticides are hazardous chemicals.

KNOW emergency procedures BEFORE handling chemicals. Sprayer leaks, bodily chemical contact, poisoning, and spills require immediate response.

AVOID inhaling, ingesting, or coming into contact with any chemicals.

WEAR personal protective gear when operating, cleaning, and servicing the sprayer.

KEEP pump and spray materials away from children and pets. Pesticides are especially toxic to them.

DO NOT TURN ON POWER to sprayer until ready to spray in order to avoid unintentional spray release.

ALWAYS keep a fire extinguisher rated "ABC" nearby.

Improper use of the sprayer or handling of chemicals could result in serious injury or illness to the operator or nearby persons/animals, or could cause damage to the environment.

** This conversion kit is recommended for use in spraying non-flammable liquids such as pesticides, water for plants/trees or dust control, ice control chemicals, or water-based non-flammable sealants or stains for outdoor wood surfaces. However, WE RECOMMEND THAT THE CONVERSION KIT NOT BE USED FOR OTHER PURPOSES ONCE IT HAS BEEN USED FOR SPRAYING PESTICIDES. Any chemical will leave some residual in the conversion kit, even after the conversion kit has been properly cleaned. These residual chemicals can have unexpected effects on future uses. For example, spraying water or other liquids that are contaminated with residual pesticide may result in unforeseen hazards to plant or animal life.

Any Questions, Comments, Problems, or Parts Orders
Call NorthStar Product Support 1-800-270-0810

Hazard Signal Word Definitions






	<p>This is the safety alert symbol. It is used to alert you to potential personal injury hazards. Obey all safety messages that follow this symbol to avoid possible injury or death.</p>
	<p>DANGER (red) indicates an imminently hazardous situation which, if not avoided, will result in death or serious injury.</p>
	<p>WARNING (orange) indicates a potentially hazardous situation which, if not avoided, could result in death or serious injury.</p>
	<p>CAUTION (yellow) indicates a potentially hazardous situation which, if not avoided, may result in minor or moderate injury.</p>
	<p>CAUTION (yellow) used without the safety alert symbol indicates a potentially hazardous situation which, if not avoided, may result in property damage.</p>

fig01453

Table of Contents

Intended Use	4
Summary of Important Safety Information	5
During Assembly	
During Operation	
• General Chemical Safety	
• Chemical Applicator Safety	
• Chemical Accident Procedures	
Unpacking and Sprayer Identification	7
Installation	
2681022.....	10
26810011 and 2681201	12
2681101 and 26812101	14
2287182	17
99916 and 99917	20
Operation	
Preparing the Regulator for Each Use	22
Using the Regulator	
Step One: Assess wind conditions and clear work area	23
Step Two: Operate the regulator.....	23
Step Three: Clean regulator and decontaminate after use	25
Storage	26
Preparing for storage	
Removing from storage	
Specifications	27
Limited Warranty	28

Intended Use

The product is intended for use in spraying agricultural pesticides and other non-flammable liquids.

SPRAYING PESTICIDES:

Pesticides are hazardous chemicals that must be handled with caution as directed throughout this manual and on the pesticide label. Pesticides are regulated by the United States Environmental Protection Agency (EPA) and defined as:

Any substance or mixture of substances intended for preventing, destroying, repelling, or mitigating any pest. Though often misunderstood to refer only to insecticides, the term pesticide is a comprehensive term that applies to insecticides, herbicides, fungicides, and various other substances used to control pests.

The product is intended for use in spraying pesticides in liquid form only. The product is NOT intended for use in spraying pesticides in dry or aerosolized form, or for use with fumigants.

SPRAYING OTHER LIQUIDS:

In addition to spraying pesticides, this conversion kit may be used to spray other **non-flammable** liquids. An example is spraying water for dust control.

WE RECOMMEND WHAT THE CONVERSION KIT NOT BE USED FOR OTHER PURPOSES ONCE IT HAS ALREADY BEEN USED FOR SPRAYING PESTICIDES. Any chemical will leave some residual in the conversion kit, even after the conversion kit has been properly cleaned. These residual chemicals can have unexpected effects on future uses. For example spraying water or other liquids that are contaminated with residual pesticides may result in unforeseen hazards to plant or animal life.

NOTE: The conversion kit will be damaged and warranty voided if used to apply bleach, chlorine, ice control chemicals, or any petroleum based product (gasoline, diesel, kerosene, oil).

Contact NorthStar Product Support at 1-800-270-0810 for any questions about the appropriate use of the conversion kit and/or accessories.

Summary of Important Information

⚠ WARNING

Read and understand **this owner's manual** completely before using the conversion kit. Read each **chemical label's instructions** before handling the chemical.

Improper use of the conversion kit or handling of chemicals could result in serious injury or illness for the operator or nearby persons/animals, or cause damage to the environment.

LISTED BELOW is a summary of safety information of particular importance. See individual sections of this owner's manual for more details.

----- **DURING ASSEMBLY** -----

- **CHECK and TEST** completed assembly as directed in this manual. Serious injury could result from chemical leaks if sprayer is improperly assembled.
- **DO NOT MODIFY** sprayer design.

----- **DURING OPERATION** -----

General Chemical Safety

- **READ and FOLLOW** each chemical label's instructions and warnings.
- **AVOID** inhaling, ingesting, or coming into contact with any chemicals.
- **KNOW** applicable licensing and regulatory requirements for the chemical you plan to use.
- **KNOW** emergency procedures before handling chemicals. Carefully review "Chemical Accident Procedures" listed below and later in this manual. Also see First Aid instructions on the chemical label.
- **WEAR** protective clothing, eye protection, and chemical resistant gloves when filling, using, and cleaning the sprayer. Wear additional protective gear, such as facemask or apron, as recommended on the chemical label.
- **EXERCISE EXTRA CAUTION** around children and pets. Pesticides are especially toxic to them. Keep sprayer and spray materials away from them at all times.
- **DO NOT MIX OR POUR** chemicals in an enclosed, unventilated area
- **DO NOT USE** flammable or corrosive chemicals in the sprayer.
- **FLUSH** the sprayer before switching chemicals in order to prevent dangerous chemical interactions.
- **STORE** pesticides in a correctly labeled container and in a secure location.
- **MONITOR** the health of operators frequently exposed to pesticides, as recommended by the chemical label or local/federal regulations.

Chemical Application Safety

Before Spraying

- **INSPECT and PREPARE** sprayer before each use as directed in this manual.
- **DO NOT TURN ON POWER** to sprayer until ready to spray in order to avoid unintentional spray release.
- **DO NOT SPRAY** when wind speed exceeds 4 MPH in order to minimize spray drift.
- **CLEAR** work area of people/ pets and **POST** warning notices to restrict access for the period recommended on chemical label.
- **KEEP** sprayer and spray materials away from children/pets. Pesticides can be especially toxic to children and animals.
- **DO NOT ALLOW** anyone younger than 16 to operate the sprayer since pesticides are especially toxic to children.

During Spraying

- **DO NOT OVER-APPLY** pesticide. Apply at rate recommended by chemical manufacturer. Excess pesticide can be dangerous to humans/animals, damage desirable plants, and contaminate soil and water sources.
- **DO NOT EAT, DRINK, SMOKE, RUB YOUR EYES, or TOUCH YOUR BARE SKIN** while handling chemicals and spraying.
- **NEVER POINT A SPRAY GUN** at people or animals.

Summary of Important Information

- **EXERCISE EXTRA CAUTION** when spraying near areas accessible to children and pets.
- **CLEAN up spills immediately** per instructions on the chemical label.
- **TURN OFF power to sprayer, and RELIEVE system pressure** before leaving sprayer unattended.
- **SEE Troubleshooting section of this manual before attempting any repairs.** Wear personal protective equipment and follow safety instructions.

After Spraying

- **CLEAN immediately after use** according to the directions provided in this manual.
- **DECONTAMINATE yourself after you are done spraying** and have cleaned the spraying system. Wash all exposed areas of the body with soap and water, and remove and launder clothing.
- **DISPOSE OF or STORE remaining chemicals in secure storage with correctly marked container.**

Chemical accident procedures

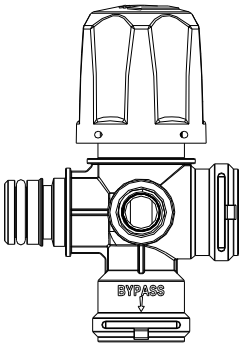
Immediate response is necessary in the event of sprayer leaks, bodily chemical contact, poisoning, or spills. See instructions below:

Sprayer leak	If the sprayer develops a leak, <i>immediately stop spraying.</i> Turn off power to the sprayer and follow directions below, as applicable.
Bodily chemical contact	<p>Personal contamination can occur when chemicals splash, spill, or spray directly onto a person.</p> <ol style="list-style-type: none"> 1. Immediately follow First Aid instructions on <u>chemical label</u>. <p style="margin-left: 40px;"><u>General procedures can include:</u></p> <ol style="list-style-type: none"> a) Eyes – immediately flush with water. b) Skin – wash all contaminated skin surfaces with soap and water. c) Clothing – remove contaminated clothing. Dispose of heavily contaminated clothing per chemical label instructions. 2. Seek medical advice if instructed on the label or the victim experiences symptoms of harmful effects. Bring the chemical label for reference.
Poisoning by ingestion or inhalation	<p>In case of poisoning from ingestion or inhalation:</p> <p><i>If the victim has collapsed or is not breathing, <u>call 911.</u></i> Otherwise:</p> <ol style="list-style-type: none"> 1. If you are the victim, immediately seek assistance from nearby personnel because you may become incapacitated. 2. Immediately follow first aid instructions on <u>chemical label</u>. 3. Call a poison control center for further advice. In the U.S., call 1-800-222-1222. Have the chemical label available for reference.
Chemical spills	<p>Chemical spills must be quickly contained and properly cleaned up.</p> <p>Refer to the chemical label for any specific clean-up instructions.</p> <p><u>General procedures include:</u></p> <ol style="list-style-type: none"> 1. Controlling the spill by stopping the source of the spill. 2. Containing the spill so that it does not spread and get into water sources. 3. Cleaning up the spill immediately. 4. Seeking additional advice from: <ul style="list-style-type: none"> - <u>Chemical manufacturer.</u> See chemical label for contact information. - <u>State pesticide regulatory agency.</u> In the U.S., call the National Pesticide Info. Ctr. at 800-858-7378 for assistance in contacting your state’s agency.

Unpacking and Sprayer Identification

Unpack and inspect parts

- **If you have damaged components:** Contact the freight company that delivered the unit to report the damage. Then, contact NorthStar Product Support at 1-800-270-0810.
- **If you have missing components:** Contact NorthStar Product Support at 1-800-270-0810.



Regulator
791093
(Qty 1)



Pressure Gauge
791465
(Qty 1)



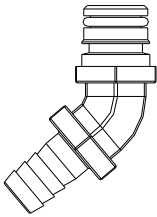
Grommet
784519
(Qty 1)



Screw, #10-24" x
10mm
791504
(Qty 4)



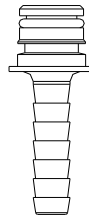
Pump Riser (for 2287182)
791457
(Qty 1)



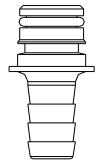
Fitting, QC x 1/2" HB,
50° elbow
787199
(Qty 1)



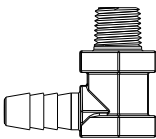
Fitting, 1/4" MPT x 3/8" HB
779854
(Qty 1)



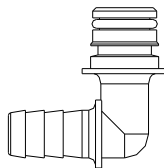
Fitting, QC x 3/8" HB,
long
791569
(Qty 1)



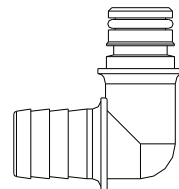
Fitting, QC x 1/2" HB,
straight
787193
(Qty 1)



Fitting, 1/4" MPT x 3/8"
HB, elbow
778383
(Qty 1)



Fitting, QC x 1/2" HB, elbow
787197
(Qty 1)

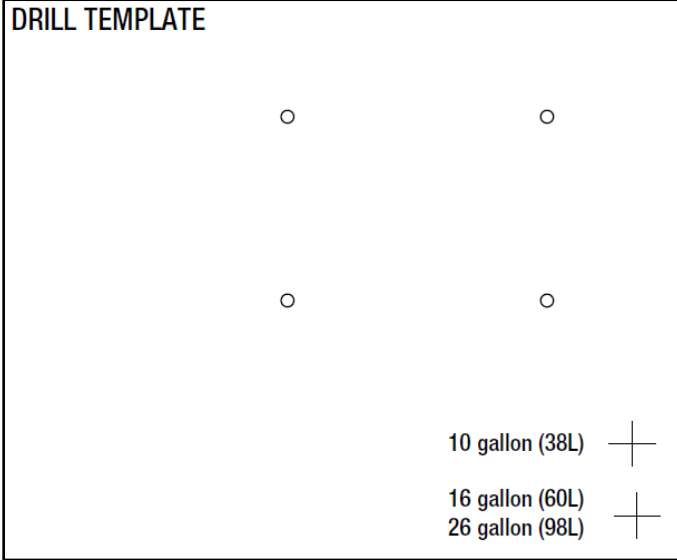


Fitting, QC x 3/4" HB, elbow
787198
(Qty 1)

Unpacking and Sprayer Identification

Drill Template Sheet

Use the four circle template when drilling the pump mounting holes on the sprayer tank. The position of the holes needed for each sprayer model is indicated by an X on the template.



Unpacking and Sprayer Identification

Identify your sprayer

- Your sprayer model number can be found on the serial number decal located on the pump. If you cannot locate the model number on your serial number decal, refer to the table below to determine the model number of your sprayer. Turn to the assembly section for your sprayer on the page number listed in the table.

Sprayer Model	Page Number	Tank size	Flow Rate	Defining features
2681022	9	10 Gallon	1.0	Spot spray gun only
26810011	11	16 Gallon	2.2	Spot spray gun only
2681201	11	26 Gallon	2.2	Spot spray gun only
2681101	13	16 Gallon	2.2	Spot spray gun and single-nozzle broadcast lance
26812101	13	26 Gallon	2.2	Spot spray gun and single-nozzle broadcast lance
2287182	17	26 Gallon	5.5	Two-nozzle boomless broadcast sprayer
99916	20	16 Gallon	2.1	Spot spray gun only
99917	20	26 Gallon	2.1	Spot spray gun only

Installation—2681022

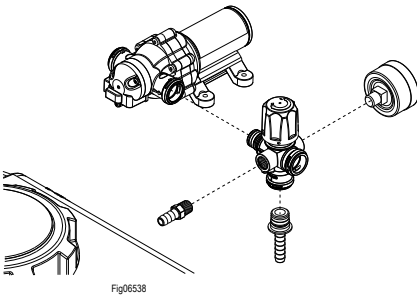
Step One: Disconnect pump from power supply

Step Two: Disconnect inlet and outlet fittings from pump

- Remove steel clips from inlet and outlet ports of the pump.
- Pull inlet and outlet fittings out of the pump. Do not disconnect hoses from fittings.

Step Three: Remove pump from sprayer

- Remove four screws from pump mounting feet.
- Remove pump from sprayer.



Step Four: Assemble fittings to regulator

- Remove steel clips from outlet and bypass ports of regulator.
- Install QC x 3/8" HB fitting (791569) into bypass port of regulator. To insert quick connect fittings, lubricate O-ring with water and twist fitting while inserting into pump port. Secure with steel clip.
- Thread 1/4" MPT x 3/8" HB Fitting (779854) into 1/4" NPT port on front side of regulator (the side of the regulator with the "BYPASS" label).
- Thread pressure gauge into 1/4" NPT port on back side of regulator.

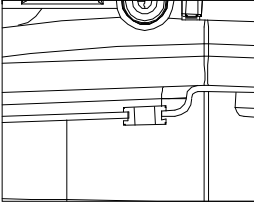
Step Five: Assemble regulator and fittings to pump

- Install inlet port of the regulator into outlet port of the pump. Secure with steel clip.
- Turn regulator to orient knob toward the top of the pump.

Step Six: Drill hole in tank

- Align the four circles on the supplied drill template sheet with the pump mounting holes on the sprayer tank.
- Using a 9/16" drill bit (not included) drill a hole through the top of the tank in the position indicated by the appropriate X on the template.
- Remove plastic debris from inside the tank (if chemicals have been used inside the tank, refer to pg. 25 step 4 for personal decontamination after removing debris).

Installation—2681022



Step Seven: Install rubber grommet (784519) into hole in tank

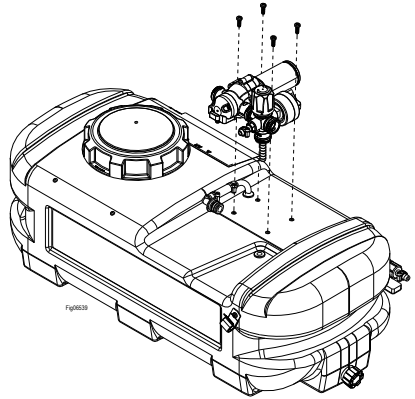
- Apply soap to rubber grommet.
- Press grommet into the 9/16" hole in the sprayer tank. Ensure the bottom lip of the grommet is fully through the hole, and the top lip is flush with the top of the tank.

Step Eight: Reinstall pump onto sprayer

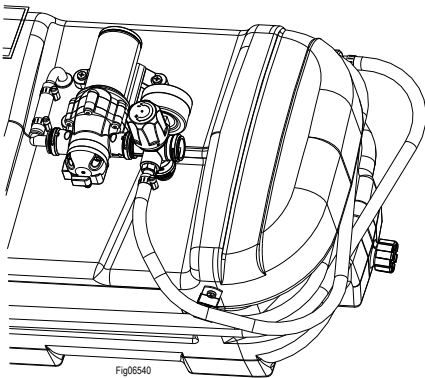
- Apply soap to bypass fitting on regulator.
- Press bypass fitting into the grommet.
- Reinstall four screws through pump feet and into threaded holes in the tank.

Step Nine: Reinstall hoses

- Install fitting on inlet hose into inlet port of the pump. To insert quick connect fittings, lubricate O-ring with water and twist fitting while inserting into pump port. Secure with steel clip.
- Install gun hose to fitting in front side of regulator. Secure with hose clamp.



- Sprayer is now ready for boom kit installation. See manual that came with boom kit for further instructions.



Note: Sprayer will be rotated on ATV to face opposite direction for boom kits.

Installation—26810011 and 2681201

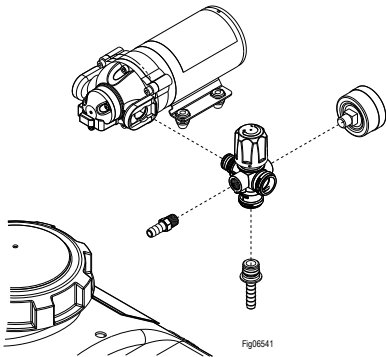
Step One: Disconnect pump from power supply

Step Two: Disconnect inlet and outlet fittings from pump

- Slide red QC clips open on the inlet and outlet ports of the pump.
- Pull inlet and outlet fittings out of the pump.
- Loosen hose clamp on outlet hose and remove outlet hose from outlet fitting.
- Do not disconnect inlet hose from inlet fitting.

Step Three: Remove pump from sprayer

- Remove four screws from pump mounting feet.
- Remove pump from sprayer.



Step Four: Assemble fittings to regulator

- Remove steel clips from outlet and bypass ports of regulator.
- Install QC x 3/8" HB fitting (791569) into bypass port of regulator. To insert quick connect fittings, lubricate O-ring with water and twist fitting while inserting into pump port. Secure with steel clip.
- Thread 1/2" MPT X 3/8" HB Fitting (779854) into 1/4" NPT port on front side of regulator (the side of the regulator with the "BYPASS" label).
- Thread pressure gauge into 1/4" NPT port on back side of regulator.

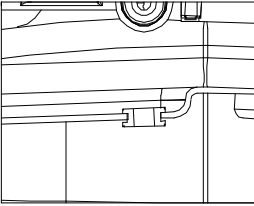
Step Five: Assemble regulator and fittings to pump

- Install inlet port of the regulator into outlet port of the pump. Slide red QC clip closed.
- Turn regulator to orient knob toward the top of the pump.

Step Six: Drill hole in tank

- Align the four circles on the supplied drill template sheet with the pump mounting holes on the sprayer tank.
- Using a 9/16" drill bit (not included) drill a hole through the top of the tank in the position indicated by the appropriate X on the template.
- Remove plastic debris from inside the tank (if chemicals have been used inside the tank, refer to pg. 25 step 4 for personal decontamination after removing debris).

Installation—26810011 and 2681201



Step Seven: Install rubber grommet (784519) into hole in tank

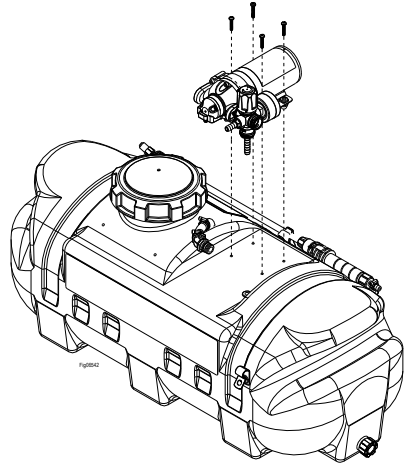
- Apply soap to rubber grommet.
- Press grommet into the 9/16" hole in the sprayer tank. Ensure the bottom lip of the grommet is fully through the hole, and the top lip is flush with the top of the tank.

Step Eight: Reinstall pump onto sprayer

- Apply soap to bypass fitting on regulator.
- Press bypass fitting into the grommet.
- Reinstall four screws through pump feet and into threaded holes in the tank.

Step Nine: Reinstall hoses

- Install fitting on inlet hose into inlet port of the pump. To insert quick connect fittings, lubricate O-ring with water and twist fitting while inserting into pump port. Slide red QC clip closed.
- Install gun hose onto fitting in the front side of the regulator. Secure with hose clamp.



- Sprayer is now ready for boom kit installation. See manual that came with boom kit for further instructions.

Note: Sprayer will be rotated on ATV to face opposite direction for boom kits.

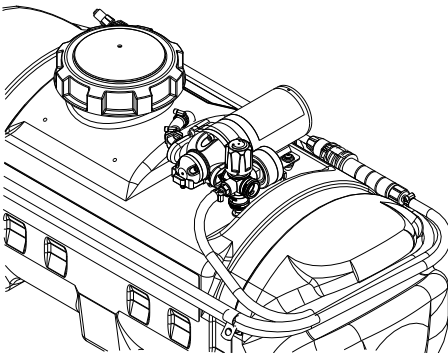


Fig08543

Installation—2681101 and 26812101

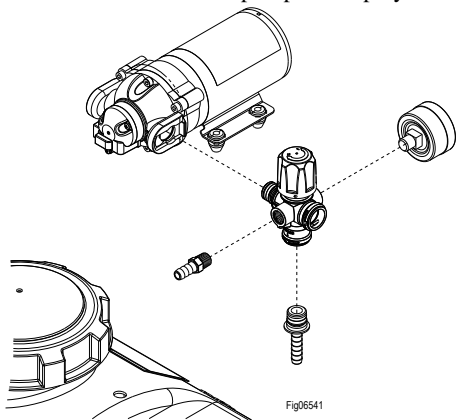
Step One: Disconnect pump from power supply

Step Two: Disconnect inlet and outlet fittings from pump

- Slide red QC clips open on the inlet and outlet ports of the pump.
- Pull inlet and outlet fittings out of the pump.
- Loosen hose clamp on outlet hose and broadcast hose and remove 1/4" NPT x 3/8" straight HB fitting from outlet fitting.
- Do not disconnect inlet hose from inlet fitting.

Step Three: Remove pump from sprayer

- Remove four screws from pump mounting feet.
- Remove pump from sprayer.



Step Four: Assemble fittings to regulator

- Remove steel clips from outlet and bypass ports of regulator.
- Install QC x 3/8" HB fitting (791569) into bypass port of regulator. To insert quick connect fittings, lubricate O-ring with water and twist fitting while inserting into pump port. Secure with steel clip.
- Thread 1/4" MPT x 3/8" straight HB fitting (removed from outlet fitting in Step Two) into 1/4" NPT port on front side of regulator (the side of the regulator with the "BYPASS" label).
- Thread pressure gauge into 1/4" NPT port on back side of regulator.

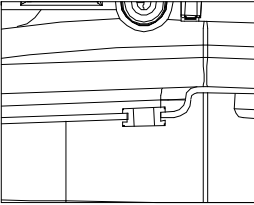
Step Five: Assemble regulator and fittings to pump

- Install inlet port of the regulator into outlet port of the pump. Slide red QC clip closed.
- Turn regulator to orient knob toward the top of the pump.

Step Six: Drill hole in tank

- Align the four circles on the supplied drill template sheet with the pump mounting holes on the sprayer tank.
- Using a 9/16" drill bit (not included) drill a hole through the top of the tank in the position indicated by the appropriate X on the template.
- Remove plastic debris from inside the tank (if chemicals have been used inside the tank, refer to pg. 25 step 4 for personal decontamination after removing debris).

Installation—2681101 and 26812101



Step Seven: Install rubber grommet (784519) into hole in tank

- Apply soap to rubber grommet.
- Press grommet into the 9/16" hole in the sprayer tank. Ensure the bottom lip of the grommet is fully through the hole, and the top lip is flush with the top of the tank.

Step Eight: Reinstall pump onto sprayer

- Apply soap to bypass fitting on regulator.
- Press bypass fitting into the grommet.
- Reinstall four screws through pump feet and into threaded holes in the tank.

Step Nine: Reinstall hoses

- Install fitting on inlet hose into inlet port of the pump. To insert quick connect fittings, lubricate O-ring with water and twist fitting while inserting into pump port. Slide red QC clip closed.
- Install gun hose onto 3/8" HB elbow fitting in the front side of the regulator. Secure with hose clamp.

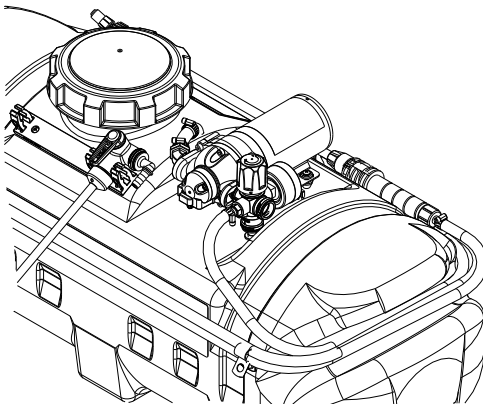
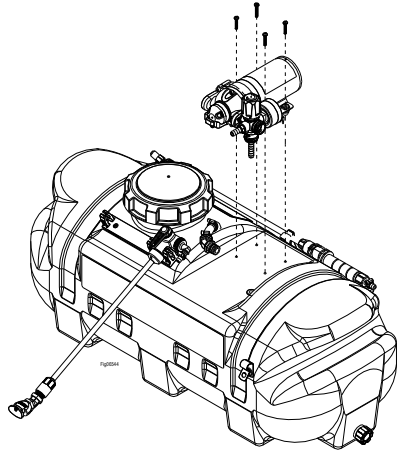
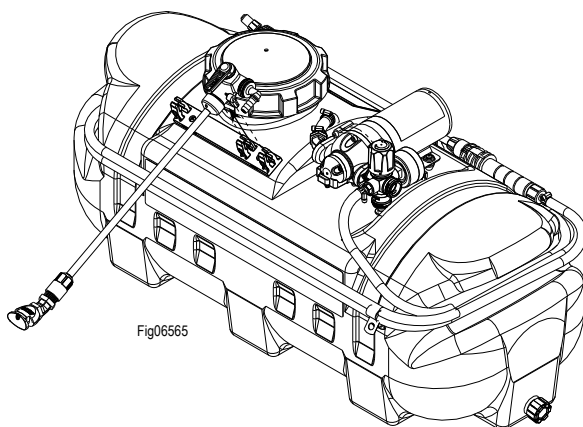


Fig8645

Installation—2681101 and 26812101

Step Ten: Remove broadcast lance from sprayer



- Sprayer is now ready for boom kit installation. See manual that came with boom kit for further instructions.

Note: Sprayer will be rotated on ATV to face opposite direction for boom kits.

Installation—2287182

Step One: Disconnect pump from power supply

Step Two: Disconnect inlet and outlet fittings from pump

- Slide red QC clips open on the inlet and outlet ports of the pump.
- Pull inlet and outlet fittings out of the pump.
- Loosen hose clamp on inlet, outlet, and broadcast hoses and remove hoses from fittings. Retain QC x 1/2" HB elbow inlet fitting. Discard outlet fittings.

Step Three: Remove pump from sprayer

- Remove four screws from pump mounting feet.
- Remove pump from sprayer.

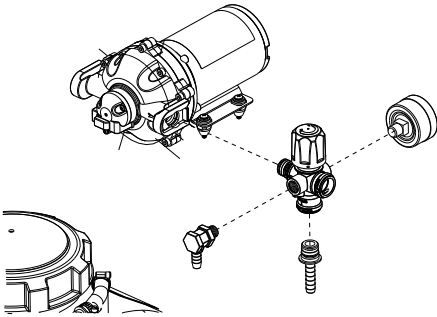


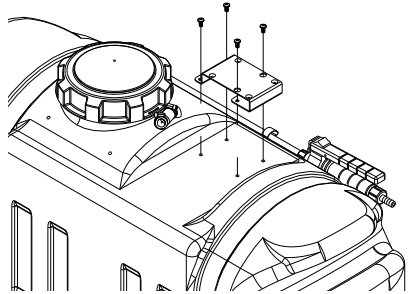
Fig06571

Step Four: Assemble fittings to regulator

- Remove steel clips from outlet and bypass ports of regulator.
- Do not yet install a fitting in the bypass port.
- Thread 1/4" NPT x 3/8" HB elbow fitting (778383) into 1/4" NPT port on front side of regulator (the side of the regulator with the "BYPASS" label).
- Thread pressure gauge into 1/4" NPT port on back side of regulator.

Step Five: Assemble regulator and fittings to pump

- Install inlet port of the regulator into outlet port of the pump. To insert quick connect fittings, lubricate O-ring with water and twist fitting while inserting into pump port. Slide red QC clip closed.
- Turn regulator to orient knob toward the top of the pump.
- Install QC x 1/2" HB 50° fitting (787215) into inlet port of pump. To insert quick connect fittings, lubricate O-ring with water and twist fitting while inserting into pump port. Slide red QC clip closed.



Step Six: Assemble pump mounting plate to sprayer

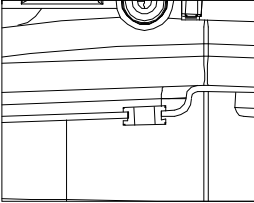
- Using four #10-24 x 10mm screws (791504), attach pump mounting plate (791457) to sprayer, oriented as shown.

Step Seven: Drill hole in tank

- Align the four feet of the pump with the four threaded holes in the pump mounting plate.
- Mark a point on the sprayer tank directly below the center of the bypass port of the regulator.

Installation—2287182

- Using a 9/16" drill bit (not included) drill a hole through the top of the tank in the marked position.
- Remove plastic debris from inside the tank (if chemicals have been used inside the tank, refer to pg. 25 step 4 for personal decontamination after removing debris).



Step Eight: Install rubber grommet (784519) into hole in tank

- Apply soap to rubber grommet.
- Press grommet into the 9/16" hole in the sprayer tank. Ensure the bottom lip of the grommet is fully through the hole, and the top lip is flush with the top of the tank.

Step Nine: Reinstall pump onto sprayer

- Install QC x 3/8" HB fitting (791569) into bypass port of regulator. To insert quick connect fittings, lubricate O-ring with water and twist fitting while inserting into pump port. Secure with steel clip.
- Apply soap to bypass fitting on regulator.
- Press bypass fitting into the grommet.
- Reinstall four screws through pump feet and into threaded holes in the pump mounting plate.

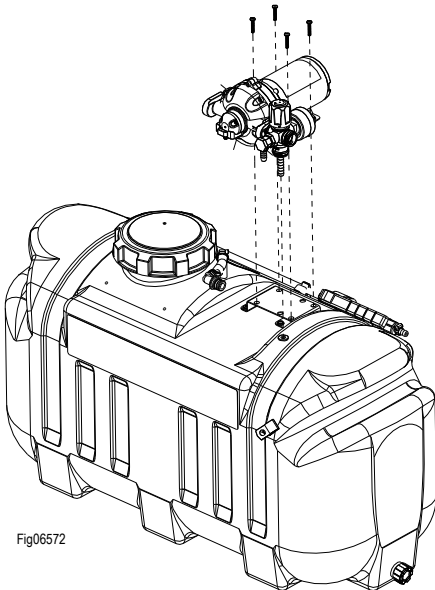
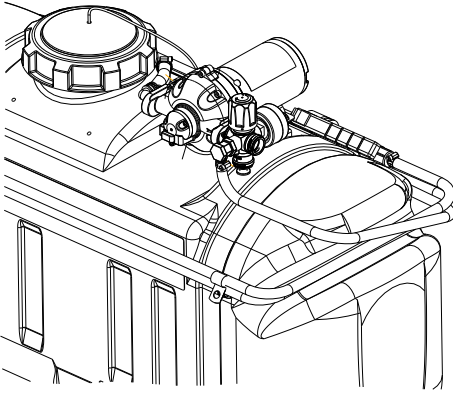


Fig06572

Installation—2287182

Step Ten: Reinstall hoses

- Install inlet hose onto inlet fitting in the inlet port of the pump. To insert quick connect fittings, lubricate O-ring with water and twist fitting while inserting into pump port. Secure with hose clamp.
- Install gun hose onto 3/8" HB elbow fitting in the 1/4" NPT port of the regulator. Secure with hose clamp.



Flg06573

- Sprayer is now ready for boom kit installation. See manual that came with boom kit for further instructions.

Note: Sprayer will be rotated on ATV to face opposite direction for boom kits.

Installation—99916 and 99917

Step One: Disconnect pump from power supply

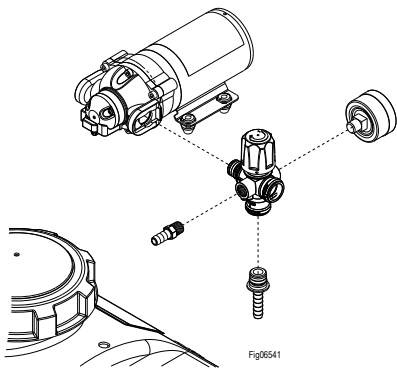
Step Two: Disconnect inlet and outlet fittings from pump

- Slide red QC clips open on the inlet and outlet ports of the pump.
- Pull inlet and outlet fittings out of the pump.
- Loosen hose clamp on outlet hose and remove outlet hose from outlet fitting.
- Do not disconnect inlet hose from inlet fitting.

Step Three: Remove pump from sprayer

- Remove four screws from pump mounting feet.
- Remove pump from sprayer.

Step Four: Assemble fittings to regulator



- Remove steel clips from outlet and bypass ports of regulator.
- Install QC x 3/8" HB fitting (791569) into bypass port of regulator. To insert quick connect fittings, lubricate O-ring with water and twist fitting while inserting into pump port. Secure with steel clip.
- Thread 1/2" MPT X 3/8" HB Fitting (779854) into 1/4" NPT port on front side of regulator (the side of the regulator with the "BYPASS" label).
- Thread pressure gauge into 1/4" NPT port on back side of regulator.

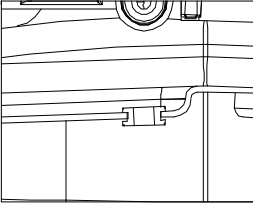
Step Five: Assemble regulator and fittings to pump

- Install inlet port of the regulator into outlet port of the pump. Slide red QC clip closed.
- Turn regulator to orient knob toward the top of the pump.

Step Six: Drill hole in tank

- Align the four circles on the supplied drill template sheet with the pump mounting holes on the sprayer tank.
- Using a 9/16" drill bit (not included) drill a hole through the top of the tank in the position indicated by the appropriate X on the template.
- Remove plastic debris from inside the tank (if chemicals have been used inside the tank, refer to pg. 25 step 4 for personal decontamination after removing debris).

Installation—99916 and 99917



Step Seven: Install rubber grommet (784519) into hole in tank

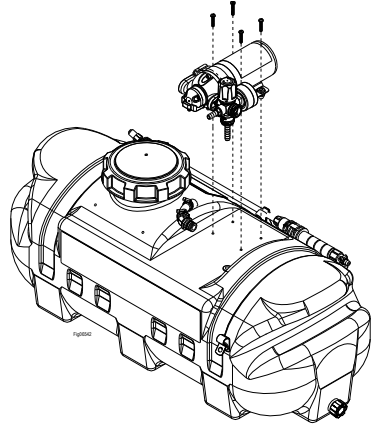
- Apply soap to rubber grommet.
- Press grommet into the 9/16" hole in the sprayer tank. Ensure the bottom lip of the grommet is fully through the hole, and the top lip is flush with the top of the tank.

Step Eight: Reinstall pump onto sprayer

- Apply soap to bypass fitting on regulator.
- Press bypass fitting into the grommet.
- Reinstall four screws through pump feet and into threaded holes in the tank.

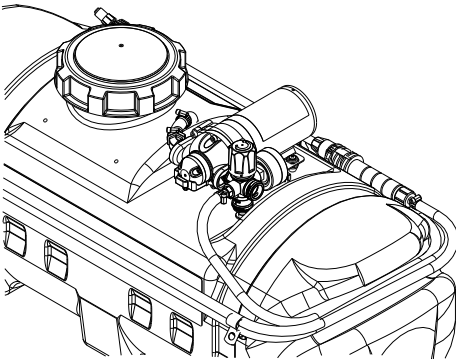
Step Nine: Reinstall hoses

- Install fitting on inlet hose into inlet port of the pump. To insert quick connect fittings, lubricate O-ring with water and twist fitting while inserting into pump port. Slide red QC clip closed.
- Install gun hose onto fitting in the front side of the regulator. Secure with hose clamp.



- Sprayer is now ready for boom kit installation. See manual that came with boom kit for further instructions.

Note: - Sprayer will be rotated on ATV to face opposite direction for boom kits.



Fg08643

Operation – Using the Regulator

If the regulator has been used previously, it must be prepared BEFORE EACH SUBSEQUENT USE.

WARNING

Read instructions below carefully for inspecting and preparing the regulator.

Damaged or clogged equipment could result in leaks or uncontrolled spray.

Leaks could result in injury to the operator or bystanders from chemical exposure, or cause damage to the environment.

Important safety rules:

- **Power off.** Make sure all power is OFF before cleaning, inspecting, or servicing the regulator.
- **Guards / shields.** Make sure all guards and shields are replaced after servicing the regulator.
- **Replacement parts.** If a part needs replacement, only use parts that meet the manufacturer's specifications. Replacement parts that do not meet specifications may result in a safety hazard or poor operation.

1. Ensure clean system	Ensure the regulator has been thoroughly flushed and drained of all residual chemicals from prior uses.
2. Inspect & repair	Inspect and test the sprayer thoroughly: <ul style="list-style-type: none">a) Inspect hoses/ lines for exposed mesh and holes. Replace all worn or damaged hoses/ lines.b) Inspect fittings for cracks and leaks. Replace all damaged fittings with original NorthStar parts.c) Partially fill system with plain water and spray to test for leaks. Repair as needed. <p><i>IMPORTANT: After any repair work has been done, ALWAYS test for leaks with water one final time before using.</i></p>

Operation – Using the Regulator

Step One: Assess wind conditions and clear work area

Before you decide to spray, you must determine whether wind conditions are suitable. You must also restrict access to the work area to ensure the safety of bystanders.

⚠ WARNING

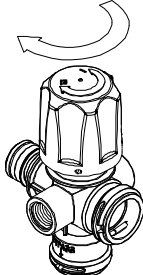
Do not spray if wind speeds are greater than 4 MPH or if there are bystanders in the intended spray area.

1. Assess wind speed	<p>Assess weather conditions to ensure that it is not too windy to spray.</p> <p>DO NOT SPRAY if wind speeds are greater than 4 MPH.</p> <p><i>Visible indication of wind speed:</i> If leaves are in constant motion or there is any branch movement, DO NOT spray because the wind is too strong.</p>
2. Clear work area	<p>Clear the work area of all bystanders and pets.</p> <p>Restrict access by the public for the period recommended on chemical label.</p>

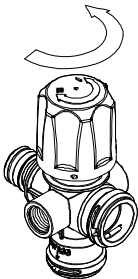
Step Two: Operate the regulator

⚠ WARNING

ALWAYS wear personal protective equipment as directed on the chemical label when spraying. Long pants and sleeves, chemical-resistant gloves, and eye protection are strongly recommended. Additional protective gear may be required depending on the particular pesticide.

1. Review safety information	<p>Review the “Summary of Important Information” related to <u>Chemical Application Safety</u> provided in this manual.</p>
2. Wear personal protective equipment	<p>Wear personal protective equipment as directed on the chemical label.</p>
3. Tighten knob	<p>Turn regulator knob clockwise until it stops.</p> <div style="display: flex; align-items: center; justify-content: center;">  <div style="text-align: left;"> <p><i>Note: With the knob completely tightened, the regulator will not allow any fluid through the bypass port and back to tank. In this configuration, the pump will function in its normal “demand” mode.</i></p> </div> </div>

Operation – Using the Regulator

4. Turn pump on	The pump will build pressure until the shut off pressure is reached. Once the shut off pressure is reached, the pump motor will turn off.
5. Begin spraying	Actuate the spray gun trigger or open the valve(s) to the boom nozzles. Adjust spray gun nozzle to desired spray pattern and/or make sure the boom nozzles are free of debris.
6. Adjust pressure	<p>Turn regulator knob counter-clockwise to reduce and set the desired spraying pressure.</p> <div style="display: flex; align-items: center; justify-content: center;">  <div style="margin-left: 20px;"> <p><i>Note: When setting the pressure, always reduce the pressure until the desired setting is reached.</i></p> <p><i>Note: If the pressure is still too low when the regulator knob is completely tightened, smaller or fewer nozzles need to be used.</i></p> </div> </div>
7. Discontinue use if clogged or inoperative	<p>If the regulator becomes clogged or inoperative during use, <i>discontinue use immediately.</i></p> <p>- DO NOT attempt to service while chemicals are in the system and power is connected.</p>

Note: A reserve, clean container capable of holding at least the volume of the entire pump system should be kept for use when the system needs to be emptied temporarily for repairs. It is advisable to purchase a reserve tank suitable for pesticide storage from Northern Tool and Equipment for use in these circumstances. The container should be properly labeled as to its contents if it is used.

Operation – Using the Regulator

Step Three: Clean regulator and decontaminate after use

When done using the regulator, it is important to clean the regulator and decontaminate yourself. Do not store the regulator when saturated with chemicals, as it is unsafe and could also result in damage to the equipment.

WARNING

Cleanup and decontamination procedures must be followed after each use.

Improper equipment cleanup and disposal of chemicals can result in dangerous chemical exposure to humans and the environment, as well as equipment damage.

Personal decontamination is required after spraying to minimize unsafe exposure to chemicals and potential illness.

1. Drain pump system	<p>If there is excess pesticide left in the system, drain the system:</p> <ul style="list-style-type: none"> a) Disconnect power to the pump and relieve system pressure. b) Find a suitable container in which to drain the unused pesticide. c) While wearing rubber gloves, eye protection, and all other required personal protective equipment, allow pesticide to drain into container.
2. Unused chemical	<p>Properly store or dispose of unused chemical:</p> <ul style="list-style-type: none"> a) <u>If the unused pesticide is to be stored for future use:</u> Store all unused pesticide in its original, or a suitably marked, container in a secure location out of the reach of children & animals. b) <u>If remaining pesticide is to be disposed:</u> Properly dispose of the remaining chemical and its container per the chemical manufacturer’s recommendation and according to local hazardous waste disposal regulations.
3. Flush regulator	<p>Flush the regulator per the chemical manufacturer’s recommendations. A general procedure is as follows:</p> <ul style="list-style-type: none"> a) Add fresh water to the pump system. b) Reconnect power to the pump. c) Operate the pump system and discharge all rinse water onto an area that can accept dilute pesticide application. d) Add 5 gallons of the chemical manufacturer’s recommended cleaning solution. Operate the pump system, collecting the discharged solution if recommended by the manufacturer. e) After flushing, disconnect power to the pump and be sure all system pressure is relieved. f) Dispose of cleaning solution discharge as recommended by the manufacturer of the solution.
4. Decontaminate & launder	<p>Decontaminate yourself after you are finished handling chemicals:</p> <ul style="list-style-type: none"> a) Remove all clothing worn during spraying and chemical handling. b) Wash all exposed parts of the body with soap and water. c) Launder clothing separately from other wash.

Storage

Prepare the regulator for end-of-season storage by running RV antifreeze through the system. This will keep internal parts lubricated, protect against corrosion, and keep the unit from freezing.

CAUTION

The regulator may be damaged if it freezes.

Protect the regulator from freezing during storage by following the instructions below.

Preparing for storage:

1. Add antifreeze	Pour RV antifreeze into the pump system. <i>Note: RV antifreeze is non-toxic and biodegradable and generally safer for the environment than automotive antifreeze.</i>
2. Spray briefly	Turn on the pump and run the pump system briefly until fluid sprays.

Removing from storage:

1. Drain	Drain the antifreeze left in the pump system into a suitable container.
2. Flush with water	Fill the pump system with fresh water and run through the system. Operate the pump system until the system is completely flushed. Be sure to set up containers to capture the antifreeze flush water.
3. Disposal	Dispose of the antifreeze and flush water properly.

Specifications

Ports

Inlet.....	Quick connect, 3/4" male
Outlet.....	Quick connect, 3/4" female
Bypass.....	Quick connect, 3/4" female
Gauge (2).....	NPT, 1/4" female

Maximum pressure.....	100 psi (7 bar)
Maximum flow.....	7.0 GPM (27 LPM)
Maximum fluid temperature.....	120°F (50°C)

Component materials*

Polypropylene, Viton®, Nylon, Polyacetal

*Before using any chemical, check to ensure the chemical is compatible with all materials in the system.

Note: The regulator is not compatible with bleach or chlorine products. Also, pumping any petroleum based fluid (gasoline, diesel, kerosene, oil) will severely damage the regulator.

The manufacturer reserves the right to make improvements in design and/or changes in specifications at any time without incurring any obligation to install them on units previously sold.

Any Questions, Comments, Problems or Parts Orders

Call NorthStar Product Support 1-800-270-0810

Limited Warranty

Dear Valued Customer:

The NorthStar Product you just purchased is built with the finest material and craftsmanship. Use this product properly and enjoy the benefits from its high performance. By purchasing a NorthStar product, you show a desire for quality and durability. Like all mechanical equipment this unit requires a due amount of care. Treat this unit like the high quality piece of machinery it is. Neglect and improper handling may impair its performance. Please thoroughly read the instructions and understand the operation before using your product.

Limited Warranty

NorthStar shall warranty any piece of equipment manufactured, or parts of equipment manufactured, to be free from defects in material or workmanship for a period of 2 years for noncommercial/nonrental use and a period of 90 days for commercial/rental use from the date of purchase by user.

NorthStar shall warranty any wear item, including, but not limited to, valves, seals, pump diaphragms, hoses, and filter elements to be free from defects in material or workmanship for a period of 90 days from the date of purchase by user. This warranty applies to the original purchaser of the equipment and is non-transferable. Verification of purchase is the responsibility of the buyer. Parts will be replaced or repaired at no charge, except when the equipment has failed due to lack of proper maintenance. Any misuse, abuse, alteration or improper installation or operations will void warranty. Determining whether a part is to be replaced or repaired is the sole decision of NorthStar.

NOTE: Some services performed by parties other than NorthStar may void warranty.

This warranty covers parts only. It will not provide for replacement of complete products due to defective parts.

Components not manufactured by NorthStar are guaranteed by their manufacturer and can be serviced at factory-authorized locations near you. Any costs incurred due to replacement or repair of items outside of a NorthStar approved facility is the responsibility of the buyer and not covered under warranty. NorthStar can supply you with the service center location in your area.

This warranty specifically excludes the following: failure of parts due to damage caused by accident, fire, flood, windstorm, acts of God, applications not approved by NorthStar in writing, corrosion caused by chemicals, use of replacement parts which do not conform to manufacturer's specifications, and damage caused by vandalism. Additional exclusions: loss of running time, inconvenience, loss of income, or loss of use, including any implied warranty of merchantability of fitness for a specific use.

Warranty does not cover items subject to normal wear such as tires, receptacles or any part subject to direct physical contact by the public. This warranty does not cover any personal injury or damage to surrounding property caused by failure of any part.

This warranty is in lieu of any other warranty expressed or implied and NorthStar assumes no other responsibility or liability outside that expressed within this warranty.

Please fill in the following information and have it on hand when you call in on a warranty claim.

Customer Number: _____

Date of Purchase: _____

NorthStar Serial Number: _____

Item Number: _____

This page is intentionally left blank



Northern Tool + Equipment Co., Inc.
Burnsville, MN 55306
NorthernTool.com
Made in China