



**GT-Lite**  
Complete LED Lighting Solutions

**WARNING:**  
ENSURE THAT TRIPOD LEGS ARE  
STABLE ON THE SURFACE BEFORE  
ATTACHING AND USING WORK LIGHT

**Assembly & Installation: GT-TP-54 | 54" Telescoping Tripod for Work Lights**



- When using product, basic precautions should always be followed.
- Read and follow these instructions and observe all warnings.
- Carefully read and understand the information given in this manual before beginning use. Failure to do so could lead to injuries which could be hazardous or even fatal.
- Save these instructions and warnings.

**HARDWARE:**

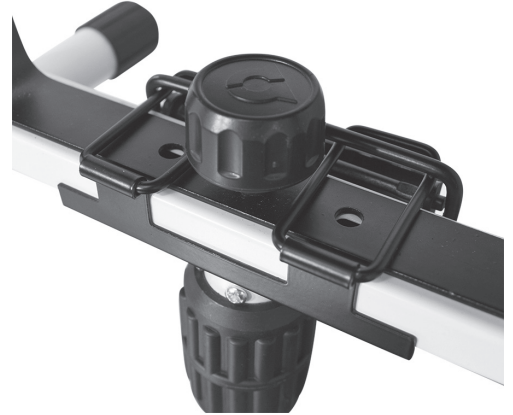
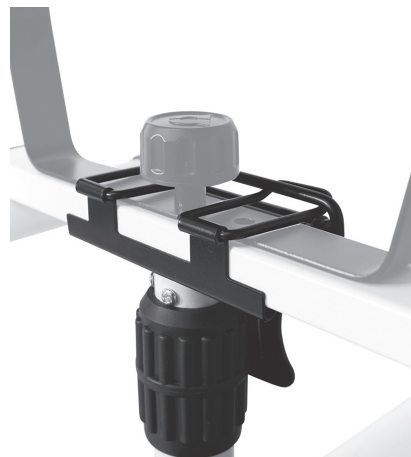
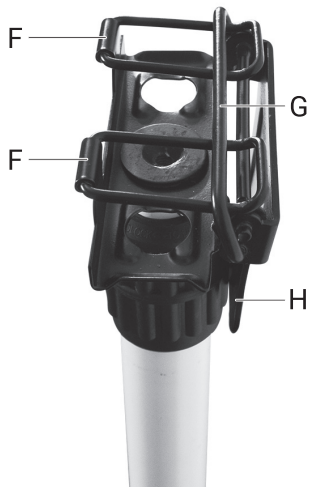
- A. Fast Latch
- B. Tripod Neck
- C. Locking Collars (2)
- D. Base Star Knob
- E. Tripod Legs
- F. Double Cross Bars (2)
- G. Single Cross Bar
- H. Locking Lever



**FAST LATCH FITS\*:**

- GT-504-A
- GT-504R-ACDC
- GT-505-A
- GT-506-A
- GT-507-AC
- GT-510

\*May be compatible with additional work lights not listed.





**GT-Lite**  
Complete LED Lighting Solutions

**WARNING:**  
ENSURE THAT TRIPOD LEGS ARE  
STABLE ON THE SURFACE BEFORE  
ATTACHING AND USING WORK LIGHT

## Assembly & Installation: GT-TP-54 | 54" Telescoping Tripod for Work Lights

### TO USE TRIPOD:

1. Begin by loosening Base Star Knob (D)
2. Open Tripod Legs (E) by pulling legs away from center pole until fully extended.
3. Re-tighten Base Star Knob (D) to secure legs in extended position. See Figures 1 and 2.

**NOTE: It is possible to utilize tripod without fully extending legs, as long as all 3 legs touch the ground. However, full extension is highly recommended for maximum sturdiness.**

4. Loosen Locking Collars (C) one at a time and raise Tripod Neck (B) to desired height. Re-tighten collars. See Figure 3.
5. Open the Universal Fast Latch (A) by moving Double Cross Bars (F) to one side and Single Cross Bar (G) to the other side of the latch.
6. Place work light (not included) into Universal Fast Latch (A) with entire work light centered over the Tripod Neck (B).
7. Flip each of the Double Cross Bars (F) over the work light.
8. Flip the Single Cross Bar (G) over the work light covering the Double Cross Bars (F) as shown in Figure 4.
9. Push down on Locking Lever (H) until it is flush against the Tripod Neck (B).
10. Plug in or power on work light and use as desired.

**Note: Never move tripod by pulling on work light power cord.**

11. Pick up tripod by Tripod Neck (B) to move light around.

Figure 1



**NO**



Figure 2



**YES**



Figure 3



Figure 4



This product is guaranteed against failure due to factory defects in materials or workmanship for one (1) year from the date of purchase. This warranty is non-transferable and applies only to the original owner. Proof of purchase required for repair or replacement. This warranty does not cover normal wear of parts or damage resulting from any misuse of the product (i.e. using in extreme weather conditions), or alterations made to product.

**Question/Comment/Missing Part? Customer Service 1-800-865-6799**  **GT-Lite**