

*Shown with optional handle.

Manual Contents

Safety Instructions	2
Assembly.....	4-5
Operation.....	6
Maintenance.....	6
Parts.....	6-7
Warranty.....	8

Your New Poly Lawn Roller

Congratulations on your purchase of a new Precision Products Inc. Poly Lawn Roller. Your Roller has been engineered and built to give you the most dependable and best performing product possible.

If you experience any problem you can not easily resolve, please feel free to contact our knowledgeable and helpful customer service department toll-free at **1 (800) 225-5891**.

Important-When calling customer service on the PLR1848 please state Blue Dot with Model Number.

Caution: Carefully read all rules and instruction for safe operation.



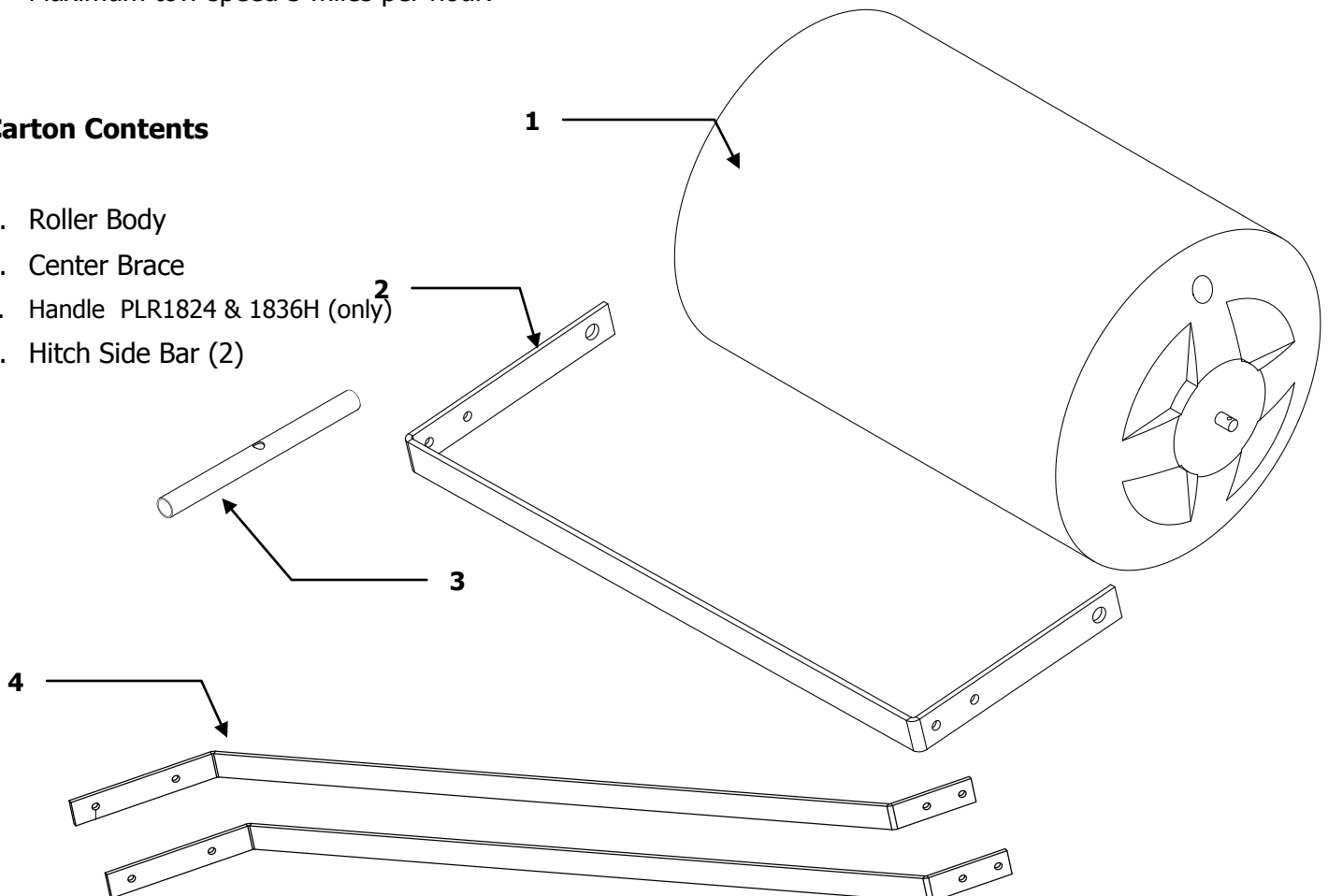
Rules for Safe Operation

The following safety precautions are suggested. This Poly Lawn Roller is designed, engineered and tested to offer reasonably safe and effective service, provided that it is operated in strict accordance with these instructions. Failure to do so may result in personal injury. Always observe the rules of safe operation. Please read and retain this manual.

- Do not allow anyone to operate the unit without proper instruction.
- Do not permit children to operate or ride the unit.
- Keep all nuts, bolts, and screws tight to be sure equipment is in safe working condition.
- Follow maintenance and lubrication instructions as outlined in this manual.
- Always wear substantial footwear. Do not wear loose fitting clothing that can get caught in moving parts.
- Stay alert for holes in the terrain and other hidden hazards.
- Do not tow or push the roller up or down steep ditches or hillsides. Be extremely cautious around steep grades.
- Do not operate lawn roller on slopes greater than 10-12 degrees.
- With increased towing weight, your stopping distance increases also.
- Do not fill roller to maximum weight without checking capability of vehicle to safely pull and stop.
- Use caution when turning, slowing or stopping.
- Leave a gap around hose while filling, so air can escape. Pressure may build up and cause damage.
- Maximum tow speed 3 miles per hour.

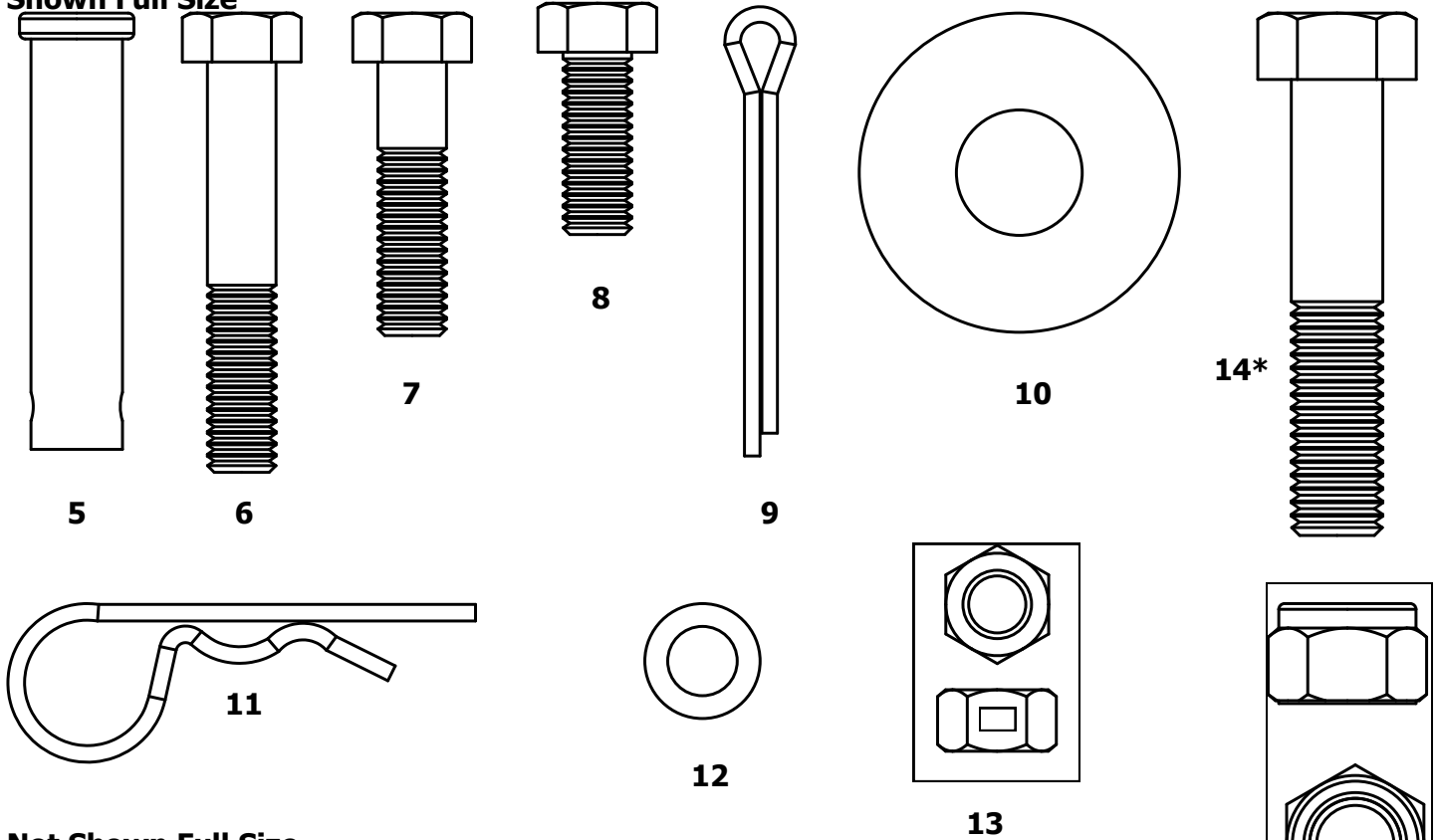
Carton Contents

1. Roller Body
2. Center Brace
3. Handle PLR1824 & 1836H (only)
4. Hitch Side Bar (2)

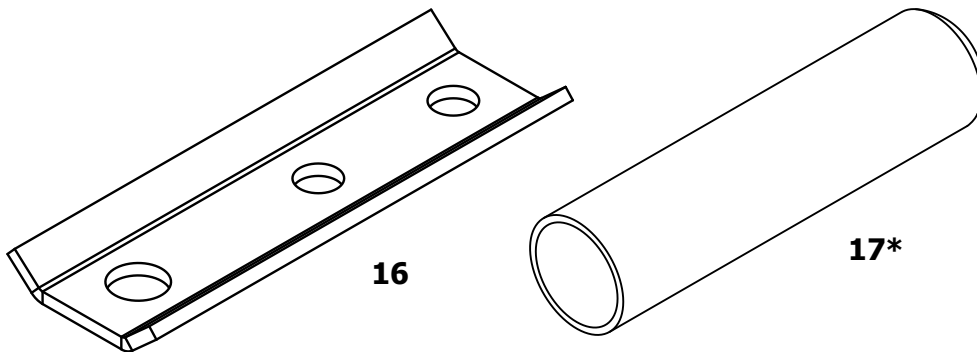


Parts Used During Assembly

Shown Full Size



Not Shown Full Size



Ref.	Qty.	Description
5	1	1/2" x 2-1/4" Clevis Pin
6	2	3/8" x 2-1/4" Hex Head Bolt
7	2	3/8" x 1-1/2" Hex Head Bolt
8	4	3/8" x 1" Hex Head Bolt
9	2	3/16" Cotter Pin
10	4	5/8" Flat Washer
11	1	#14 Hitch Pin Clip
12	1	3/8" x 3/8" Spacer
13	8	3/8" Nylock Nut
14	1	1/2" x 2-1/2" Hex Head Bolt*
15	1	1/2" Nylock Nut*
16	2	Clevis Plate
17	2	1" Handle Grip*

Having Problems?

Installation Questions?

Missing Parts?

Replacement Parts?

STOP *Don't go back to the store!*
Let us help you!

Please call our helpful Customer Service Department
Toll-Free at **(800) 225-5891** We will be happy to
assist you.

Assembly Instructions

Tools Required For Assembly

- (1) Pair of Pliers
- (2) 9/16" Wrenches
- (2) 3/4" Wrenches

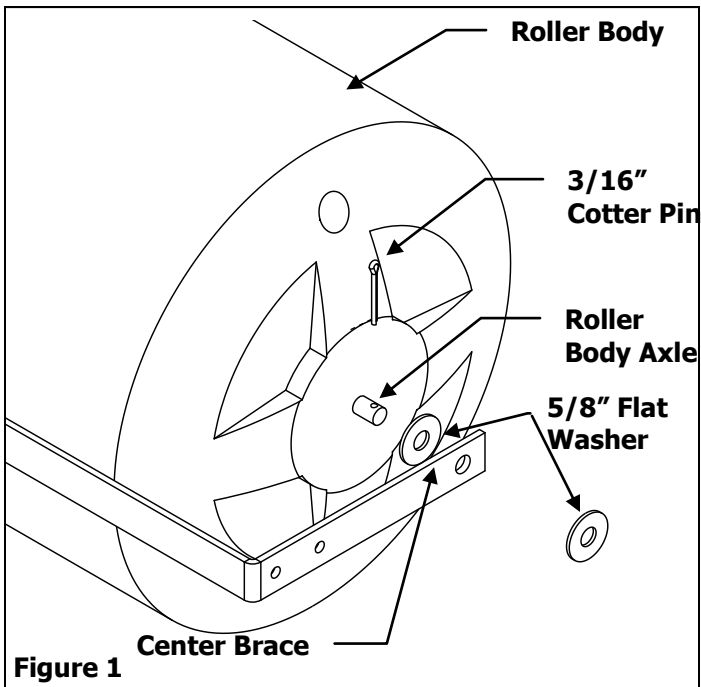
Optional Tools

- (1) Utility Knife
- (1) Hammer

Remove from Carton

Remove all parts and hardware packages from the carton. Lay out all parts and hardware and identify them using the illustrations on pages 2 and 3.

1. Inspect axle ends. If there is excessive plastic, trim with knife using extreme caution.
2. Place a 5/8" Flat Washer over axle on Roller Body on both ends. See Figure 1.



3. Place one end of the Center Brace over one side of the axle then the opposite end. See Figure 1. NOTE: You may have to pull (spread out) one end of the Center Brace to get it to go over the axle. See Figure 2.
4. Place one 5/8" Flat Washer on the outside of Center Brace on both ends.

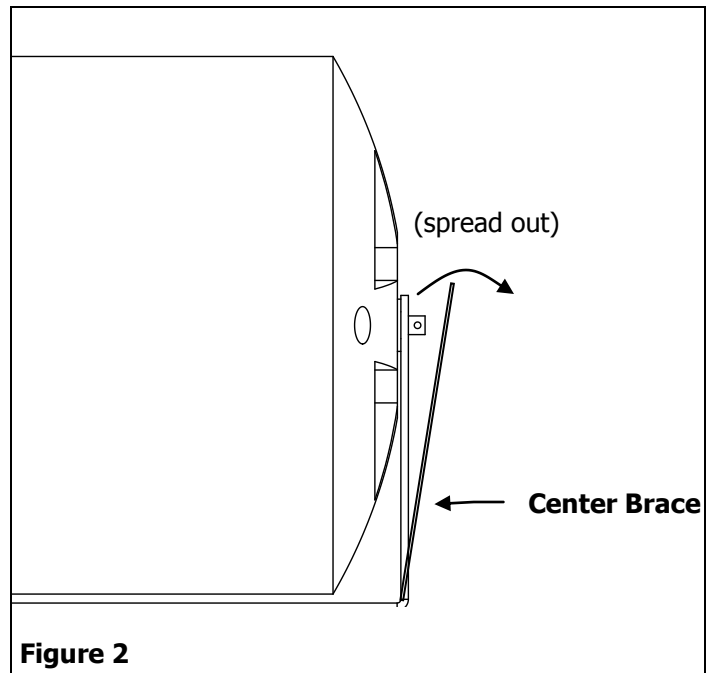
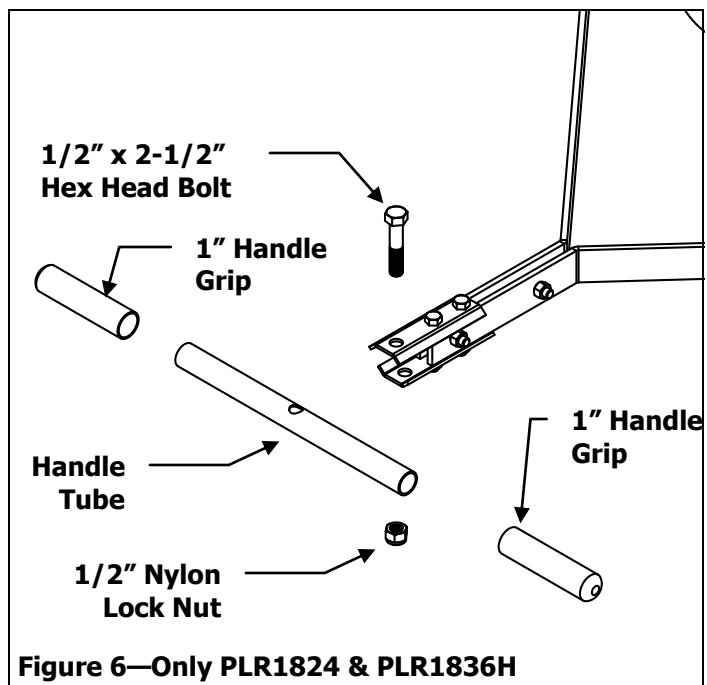
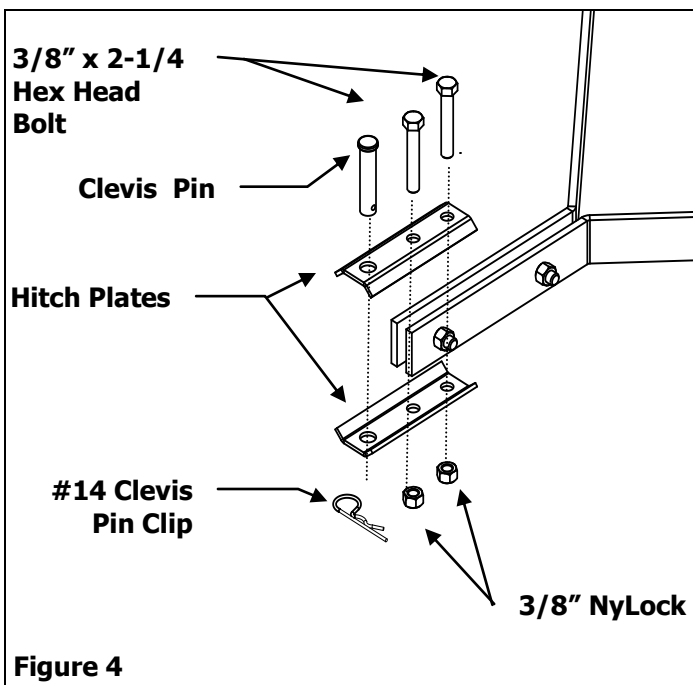
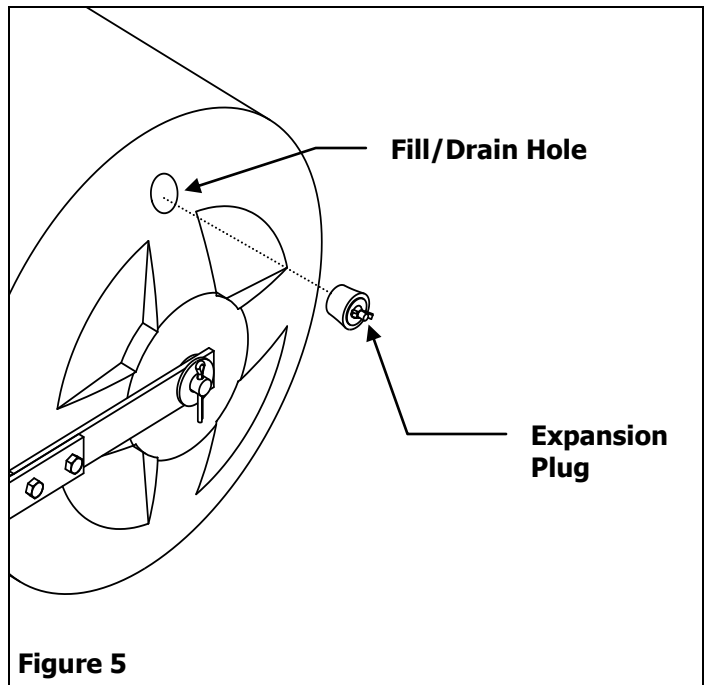
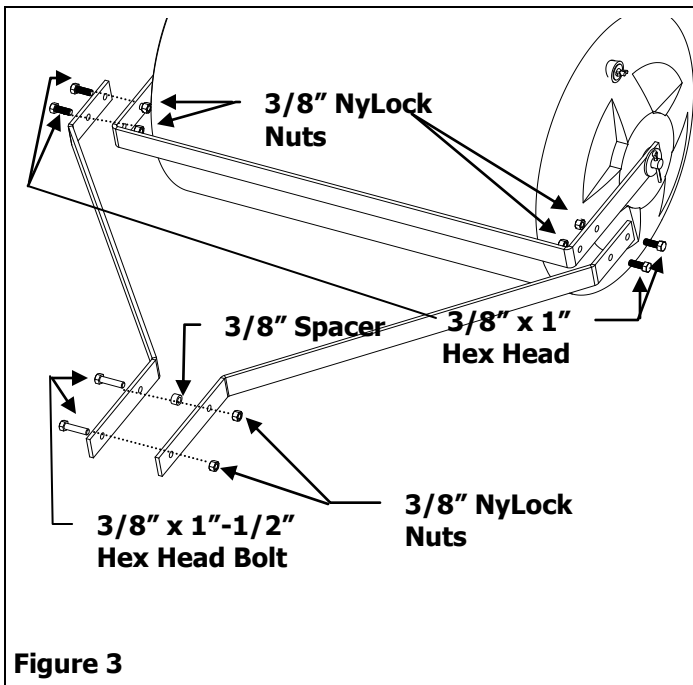


Figure 2

5. Insert a 3/16" Cotter Pin into the hole of the axle NOTE: It may be necessary to use a hammer to get the Cotter Pin into place. Then, spread the legs of the pin to secure into place. Repeat this procedure for the other side of the axle. See Figure 1.
6. Attach the Hitch Side Bars to the Center Brace, using 3/8" x 1" Hex Head Bolts and 3/8" NyLock Nuts. See Figure 3.
7. Insert the 3/8" x 3/8" Spacer between the two Hitch Side Bars. The Spacer needs to be attached to the second hole back from the front of the Hitch Side Bars. Secure the Spacer in place by inserting a 3/8" x 1-1/2" Hex Head Bolt through one Hitch Side Bar then the 3/8" x 3/8" Spacer and the other Hitch Side Bar. Thread a 3/8" NyLock Nut onto the ends. NOTE: Do not tighten this bolt and nut yet. See Figure 3
8. Attach the two Clevis Plates to the end of the Hitch Side Bar using 3/8" x 2-1/4" Hex Head Bolts for the Clevis Plates. "Straddle" (one bolt on each side) of the front 3/8" x 1-1/2" Hex Head Bolt on the end of the Hitch Side Bar. This keeps the Clevis Plate assembly from slipping off the Hitch Side Bars when the unit is in use. See Figure 4.
9. Now tighten the four 3/8" x 1-1/2" and the 3/8" x 2 - 1/4" and 3/8" Nylock Nuts. See Figure 4.
10. Insert Clevis Pin through the first hole of Hitch Plate and secure with #14 Hitch Pin.



11. Insert a Expansion Plug into the fill/drain hole on each end of the Roller Body. Secure by turning the wing nut on the Expansion Plug. See Figure 5.

Handle option is for PLR1824 & PLR1836H only.

To use the handle option: See Figure 6.

1. Remove the Clevis Pin and Clevis Pin Clip from the Hitch Plate.
2. Loosen the two 3/8" Bolts on the Clevis Plate.
3. Place the Handle Tube in between the Clevis

Plates. Insert the 1/2" x 2-1/2" Hex Head Bolt through the top Clevis Plate, the hole in the Handle Tube and the bottom Clevis Plate. Secure with 1/2" Nylock Lock Nut. NOTE: Do not over tighten this bolt. It is possible to damage the Handle Tube by over tightening the bolt. If the Handle Tube does become damaged; do not use. Personal injury can occur.

4. Tighten the two Clevis Plates bolts. Place the 1" Handle Grips over the ends of the Handle Tube.

Operation

- Fill the Roller with amount of water or sand for the weight recommended for your towing equipment.

Model	Tank Weight	Water Gallon Capacity	Filled Weight
PLR1824	19	27	240
PLR1836 PLR1836H	28.5	40	360
PLR1848	40	53	480

- Be sure to check owner's manual of towing equipment to make sure that its towing capacity is not exceeded.
- For longest life, drain the Roller and leave the Plug out when not in use.
- Sand may be used in place of water to avoid risk of freezing.

Maintenance Instructions

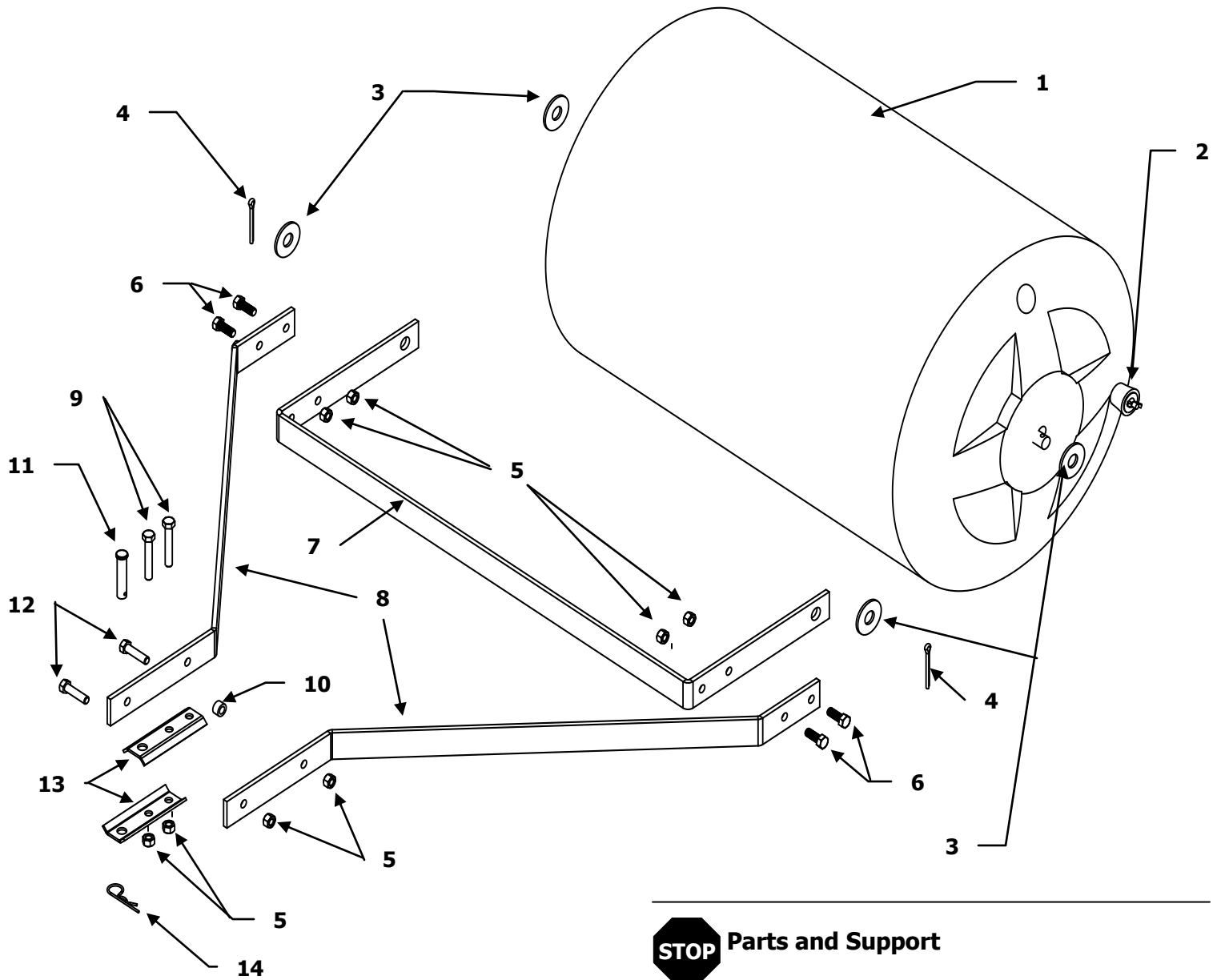
- Always check all the hardware before use. Make sure all hardware and components are tight and secure.
- Always keep moving parts lubricated. Lubricate where the Axle extends through the Hitch Side Bar when needed with light oil.
- Keeping the roller clean and dry will prolong the unit's life.
- Should rust develop, sand lightly and then paint area with enamel paint.

PLR1836H			
Ref No.	Part No.	Qty.	Description
1	3250	1	Roller Body
2	3262	2	Expansion Plug
3	960	4	5/8" Flat Washer
4	2576	2	3/16" Cotter Pin
5	2348	8	3/8" NyLock Nut
6	1974	4	3/8" x 1" Hex Head Bolt
7	3251B	1	Center Brace
8	3252B	2	Hitch Side Bar
9	3255	2	3/8" x 2-1/4" Hex Head Bolt
10	3254	1	3/8" x 3/8" Spacer
11	3256	1	Clevis Pin 1/2" x 2-1/4"
12	1806	2	3/8" x 1-1/2" Hex Head Bolt
13	3257B	2	Clevis Plate
14	1042	1	# 14 Hitch Pin Clip
15	3042	2	1" Handle Grip
16	3268	1	1/2" x 2-1/2" Hex Head Bolt
17	3266B	1	Handle Tube
18	2311	1	1/2" Nylock Nut

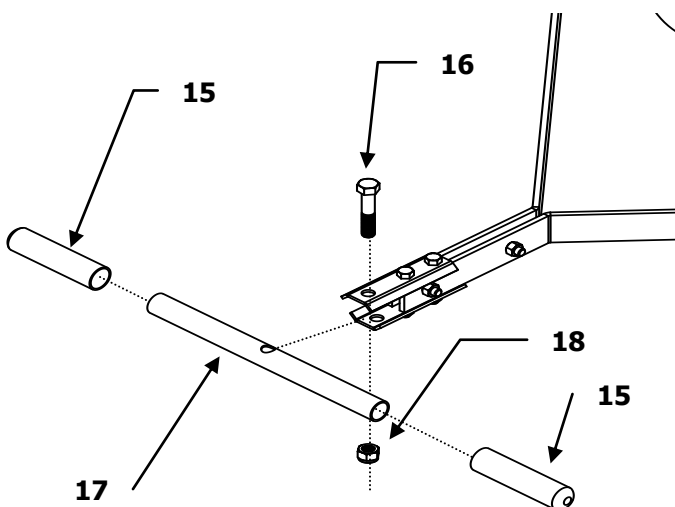
PLR1824			
Ref No.	Part No.	Qty.	Description
1	3263	1	Roller Body
2	3262	2	Expansion Plug
3	960	4	5/8" Flat Washer
4	2576	2	3/16" Cotter Pin
5	2348	8	3/8" NyLock Nut
6	1974	4	3/8" x 1" Hex Head Bolt
7	3264B	1	Center Brace
8	3265B	2	Hitch Side Bar
9	3255	2	3/8" x 2-1/4" Hex Head Bolt
10	3254	1	3/8" x 3/8" Spacer
11	3256	1	Clevis Pin 1/2" x 2-1/4"
12	1806	2	3/8" x 1-1/2" Hex Head Bolt
13	3257B	2	Clevis Plate
14	1042	1	# 14 Clevis Pin Clip
15	3042	2	1" Handle Grip
16	3268	1	1/2" x 2-1/2" Hex Head Bolt
17	3266B	1	Handle Tube
18	2311	1	1/2" Nylock Nut

PLR1836			
Ref No.	Part No.	Qty.	Description
1	3250	1	Roller Body
2	3262	2	Expansion Plug
3	960	4	5/8" Flat Washer
4	2576	2	3/16" Cotter Pin
5	2348	8	3/8" NyLock Nut
6	1974	4	3/8" x 1" Hex Head Bolt
7	3251B	1	Center Brace
8	3252B	2	Hitch Side Bar
9	3255	2	3/8" x 2-1/4" Hex Head Bolt
10	3254	1	3/8" x 3/8" Spacer
11	3256	1	Clevis Pin 1/2" x 2-1/4"
12	1806	2	3/8" x 1-1/2" Hex Head Bolt
13	3257B	2	Clevis Plate
14	1042	1	# 14 Hitch Pin Clip

PLR1848			
Ref No.	Part No.	Qty.	Description
1	3280	1	Roller Body
2	3262	2	Expansion Plug
3	960	4	5/8" Flat Washer
4	2576	2	3/16" Cotter Pin
5	2348	8	3/8" NyLock Nut
6	1974	4	3/8" x 1" Hex Head Bolt
7	3282TB	1	Center Brace
8	3283TB	2	Hitch Side Bar
9	3255	2	3/8" x 2-1/4" Hex Head Bolt
10	3254	1	3/8" x 3/8" Spacer
11	3256	1	Clevis Pin 1/2" x 2-1/4"
12	1806	2	3/8" x 1-1/2" Hex Head Bolt
13	3257B	2	Clevis Plate
14	1042	1	# 14 Clevis Pin Clip



Handle Components—PLR1824 & PLR1836H ONLY



STOP Parts and Support

Please do not return this product to the store prior to contacting Precision.

At Precision Products Inc. our goal is to deliver quality, value and outstanding service. If for any reason our product does not meet your expectations, please contact us and we will take care of any problem you may have with this unit.

When ordering replacement parts please have the model number, part description, part number, inspector Number and Date on Box, available so that we can best serve you.

1 (800) 225-5891

www.precisionprodinc.com

The limited warranty set forth below is given by Precision Products Incorporated with respect to new merchandise purchased and used in the United States, its possessions and territories.

Precision Products Incorporated warrants the product(s) listed against defects in material and workmanship, and will at our option, repair or replace, free of charge, any part found to be defective in materials or workmanship. This limited warranty shall only apply if this product has been assembled, operated, and maintained in accordance with the owner's manual furnished with the product, and has not been subject to misuse, abuse, neglect, accident, improper maintenance, alteration, vandalism, theft, fire, water, or damage because of other peril or natural disaster.

Normal wear parts or components thereof are subject to separate terms as follows: All normal wear parts or component failures will be covered on the product for a period of one year. Parts found to be defective within the warranty period will be replaced at our expense. Our obligation under this warranty is expressly limited to the replacement or repair, at our option, of parts found to be defective in material and workmanship.

Contacting Service

Warranty parts replacements are available, only with **Proof of Purchase**, through our Customer Service Department. Call **1 (800) 225-5891**

This limited warranty does not provide coverage in the following cases:

1. Routine maintenance items such as lubricants and filters.
2. Normal deterioration of the exterior finish due to use or exposure.
3. Transportation and/or labor charges.

No implied warranty, including any implied warranty of merchantability or fitness for a particular purpose, applies after the applicable period of express written warranty above as to the part as identified below. No other express warranty whether written or oral, except as mentioned above, given by any person or entity, including a dealer or retailer, with respect to any product, shall bind Precision Products Inc. During the period of the warranty, the exclusive remedy is repair or replacement of the product as set forth above.

The provisions as set forth in this warranty provide the sole and exclusive remedy arising from the sale.

Precision Products Inc. will not be liable for incidental or consequential loss or damage including, without limitation, expenses incurred for substitute or replacement lawn care services or for rental expenses to temporarily replace a warranted product.

Some states do not allow the exclusion or limitation of incidental or consequential damages, or limitations on how long an implied warranty lasts, so the above exclusions or limitations may not apply to you.

During the warranty period, the exclusive remedy is replacement of the part. In no event shall recovery of any kind be greater than the amount of the purchase price of the product sold. Alteration of safety features of the product shall void this warranty. You assume the risk and liability for loss, damage, or injury to you and your property and/or to others and their property arising out of the misuse or inability to use this product.

This limited warranty shall not extend to anyone other than the original purchaser or to the person for whom it was purchased as a gift.

Local Law to this Warranty

This limited warranty gives you specific legal rights, and you may also have other rights which vary from state to state.

Warranty Period

The Warranty period stated below begins with the **Proof of Purchase**. Without the proof of purchase, the Warranty period begins from the date of manufacture determined by the serial number manufacturing date.

Poly Lawn Roller Warranty Period

The warranty period for this unit is as follows: All part are cover one year from date of sale.