



Orbital Polisher
Polisseuse Orbitale

Operator's Manual Manuel d'utilisation

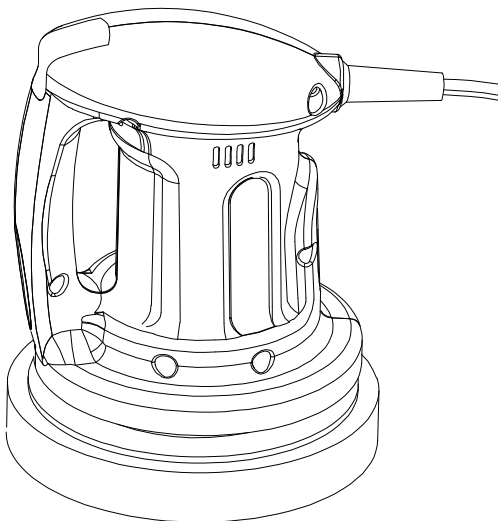
EN

P.02

FR

P.13

Orbital Polisher
Polisseuse Orbitale



6-inch / 15 cm

Model No. • Modèle n°

AA6BP

FOR YOUR SAFETY:

Read and understand this manual before use.

Keep this manual for future reference.

POUR VOTRE SÉCURITÉ:

Veuillez lire attentivement et comprendre ce manuel d'utilisation avant d'utilisation.

Conserver ce manuel pour référence ultérieure.



Distributed by /
Distribué par :
Cleva North America Inc.,
601 Regent Park Court
Greenville, SC 29607

The Armor All word mark and logo are trademarks of The Armor All/STP Products Company and are used under license.

La marque ou le logo Armor All sont des marques de commerce de la société Armor All/STP Products Company et sont utilisés sous licence.

TABLE OF CONTENTS

SECTION	Page
Warranty	2
Introduction and Safety	3
General Safety Rules	4
Specific Safety Rules	5
Electrical Safety	6
Extension Cords	7
Specifications	7
Applications	8
Unpacking & Checking Carton Contents	8
Getting to Know your Orbital Polisher	9
Operation	10
Maintenance	12
Troubleshooting	12

Thank you for purchasing this Armor All™ product. Feel confident that with your Armor All™ orbital polisher you are obtaining a high quality product engineered for optimal performance.

FOR YOUR SAFETY CAREFULLY READ AND UNDERSTAND ALL INSTRUCTIONS

WARRANTY

We take pride in producing a high quality, durable product. This Armor All™ orbital polisher carries a limited warranty against defects in workmanship and materials for up to one year from date of purchase under normal household use. If product is to be used for commercial, industrial, or rental use, a 30 day limited warranty will apply. Warranty does not apply to defects due to direct or indirect abuse, negligence, misuse, accidents, repairs, alterations, or lack of maintenance. Please keep your receipt as proof of purchase. This warranty gives you specific legal rights, and you may have other rights which vary from state to state. For product service call Cleva Customer Service at (866) 384-8432.

INTRODUCTION & SAFETY

READ BEFORE USING

Many automobiles use paint finishes that require a softer, plusher bonnet than the terrycloth bonnet included with this orbital polisher.

Use the terrycloth bonnet included with this orbital polisher only to apply wax and related chemicals to a clean paint surface. Do not use it to remove wax or to buff a waxed surface, even if it has been washed. Doing so can cause paint damage.

For buffing waxed surfaces, use the clean microfiber bonnet included.

INTRODUCTION

This ArmorAll™ Random Orbit Polisher is optimally designed for polishing, waxing, and buffing dry, clean, painted automotive surfaces. Equipped with a durable 0.4 Amp motor, this orbital polisher delivers 3500 orbits per minute (RPM) in a random circular motion, which is similar to yet exceeds the motion of a hand polish.

This instruction manual is intended for your benefit. Please read, understand, and follow the safety, installation, maintenance, and troubleshooting sections to ensure safety, prevent property damage, and lead to years of satisfied use.

The contents of this manual are based on the latest information available at the time of publication. The manufacturer reserves the right to make product changes at any time without notice.

SAFETY INSTRUCTIONS AND WARNINGS

⚠ WARNING: Read and understand all instructions before using this orbital polisher. Failure to comply with the instructions may result in serious personal injury and/or property damage.

Safety is a combination of common sense, staying alert and knowing how your appliance works. Use this product only as described in this manual. To reduce the risk of personal injury, damage to your orbital polisher, and/or property damage, use only recommended accessories.

⚠ WARNING: Wear Eye Protection. The operation of any orbital polisher can result in foreign objects being thrown into your eyes, which can result in severe eye damage. Before operating the tool, always wear safety goggles or safety glasses marked to comply with ANSI Z87.1 (or in Canada, CSA Z94.3).

⚠ WARNING: Do not operate this orbital polisher if it has been damaged during transit or due to handling or misuse. Do not operate it until the fault has been corrected or the broken parts have been replaced. Failure to do so may result in serious personal injury or property damage.

⚠ WARNING: Use of this product will expose you to chemicals known to the State of California to cause cancer, birth defects, and reproductive harm. Avoid inhaling vapors and dust. Wash hands after using.

⚠ WARNING: This product contains chemicals known to the State of California to cause cancer, birth defects, and reproductive harm. **Wash hands after handling.**

SAVE ALL WARNINGS AND INSTRUCTIONS FOR FUTURE REFERENCE.

When using an electrical appliance, basic precautions should always be followed including the safety rules on the following pages.

GENERAL SAFETY RULES

⚠ General Power Tool Safety Warnings - Work Area

- **Keep your work area clean and well lit.** Cluttered benches and dark areas invite accidents.
- **Do not operate power tools in explosive atmospheres such as in the presence of flammable liquids, gases, or dust.** Power tools may create sparks which may ignite the dust or fumes.
- **Keep bystanders, children, and visitors away while operating a power tool.** Distractions can cause you to lose control.

⚠ General Power Tool Safety Warnings - Electrical Safety

- **Avoid body contact with earthed or grounded surfaces such as pipes, radiators, ranges and refrigerators.** There is an increased risk of electric shock if your body is earthed or grounded.
- **Power tool plugs must match the outlet. Never modify the plug in any way. Do not use any adapter plugs with earthed (grounded) power tools.** Unmodified plugs and matching outlets will reduce risk of electric shock.
- **Don't expose power tools to rain or wet conditions.** Water entering a power tool will increase the risk of electric shock.
- **Do not abuse the cord. Never use the cord to carry the tools or pull the plug from an outlet. Keep cord away from heat, oil, sharp edges, or moving parts. Replace damaged cords immediately.** Damaged cords increase the risk of electric shock.
- **When operating a power tool outdoors, use an outdoor extension cord marked "W-A" or "W".** These cords are rated for outdoor use and reduce the risk of electric shock.
- **If operating a power tool in a damp location is unavoidable, use a ground fault circuit interrupter (GFCI) protected power supply.** Use of a GFCI reduces the risk of electric shock.

⚠ General Power Tool Safety Warnings - Personal Safety

- **Stay alert, watch what you are doing and use common sense when operating a power tool. Do not use tool while tired or under the influence of drugs, alcohol, or medication.** A moment of inattention while operating power tools may result in serious personal injury.
- **Dress properly. Do not wear loose clothing or jewelry. Contain long hair. Keep your hair, clothing, and gloves away from moving parts.** Loose clothes, jewelry, or long hair can be caught in moving parts.
- **Avoid accidental starting. Be sure switch is off before plugging in.** Carrying tools with your finger on the switch or plugging in tools that have the switch on invites accidents.
- **Remove adjusting keys or wrenches before turning the tool on.** A wrench or a key that is left attached to a rotating part of the tool may result in personal injury.
- **Do not overreach. Keep proper footing and balance at all times.** Proper footing and balance enables better control of the tool in unexpected situations.
- **Use safety equipment. Always use eye protection.** Dust mask, nonskid safety shoes, hard hat, or hearing protection must be used for appropriate conditions.
- **Do not use on a ladder or unstable surface.**

⚠ General Power Tool Safety Warnings - Tool Use and Care

- **Use clamps or other practical ways to secure and support the workpiece to a stable platform.** Holding the work by hand or against your body is unstable and may lead to loss of control.
- **Do not force tool. Use the correct tool for your application.** The correct tool will do the job better and safer at the rate for which it was designed.
- **Do not use tool if switch does not turn it on or off.** Any tool that cannot be controlled with the switch is dangerous and must be repaired.
- **Disconnect the plug from the power source before making any adjustments, changing accessories, or storing the tool.** Such preventative safety measures reduce the risk of starting the tool accidentally.
- **Store idle tools out of the reach of children and other untrained persons.** Tools are dangerous in the hands of untrained users.

GENERAL SAFETY RULES (Continued)

⚠ General Power Tool Safety Warnings - Tool Use and Care (Continued)

- **Maintain tools with care. Keep tools sharp and clean.** Properly maintained tools with sharp cutting edges are less likely to bind and are easier to control.
- **Check for misalignment or binding of moving parts, breakage of parts, and any other condition which may affect the tool's operation. If damaged, have the tool serviced before using.** Many accidents are caused by poorly maintained tools.
- **Use only accessories that are recommended by the manufacturer for your model.** Accessories that may be suitable for one tool may become hazardous when used on another tool.

⚠ General Power Tool Safety Warnings - Service

- Tool service must be performed only by qualified repair personnel. Service or maintenance performed by unqualified personnel could result in risk of injury.
- When servicing a tool use only identical replacement parts. Follow instructions in the Maintenance section on page 12 of this manual. Use of unauthorized parts or failure to follow Maintenance instructions may create a risk of electric shock or injury.
- If tool is not working as it should, has been damaged, left outdoors, or dropped into water, return it to a service center.

SPECIFIC SAFETY RULES

⚠ Additional Rules for Safe Operation

Following these rules will reduce the risk of serious personal injury:

- **Know your power tool.** Learn its applications and limitations, as well as the specific potential hazards related to this tool.
- **Always wear safety glasses.** Everyday eye-glasses have only impact-resistant lenses; they are NOT safety glasses.
- **Protect your lungs.** Wear a face or dust mask if the operation is dusty.
- **Protect your hearing.** Wear hearing protection during extended periods of operation.
- **Keep hands away from the work surface.**
- **Use both hands to operate the orbital polisher.**
- **Inspect tool cords periodically and, if damaged, have repaired at a service center. Constantly stay aware of cord location.**
- **Do not operate the polisher with damaged parts.**
- **Do not abuse the cord. Never carry the tool by the cord or yank it to disconnect from the receptacle. Keep cord away from heat, oil, and sharp edges.** Following this rule will reduce the risk of electric shock or fire.
- **Make sure extension cord is in good condition. When using an extension cord be sure to use one heavy enough to carry the current your product will draw. A wire gauge size (A.W.G.) of at least 16 is recommended for an extension cord 100 feet or less in length. A cord exceeding 100 feet is not recommended. If in doubt, use the next heavier gauge. The smaller gauge number, the heavier the cord. An undersized cord will cause a drop in line voltage resulting in loss of power and overheating.**
- **Do not operate tool while under the influence of drugs, alcohol, or any medication.**
- **Save these instructions. Refer to them frequently and use them to instruct others who may use this tool. If you loan someone this tool, loan them these instructions also.**

ELECTRICAL SAFETY

This orbital polisher is double-insulated, eliminating the need for a separate grounding system. Use only identical replacements parts. Read the instructions for Servicing Double-Insulated Appliances before servicing. Use this orbital polisher as described in this manual.




DOUBLE INSULATED - GROUNDING NOT REQUIRED - WHEN SERVICING USE ONLY IDENTICAL REPLACEMENT PARTS.

⚠ WARNING: TO REDUCE THE RISK OF ELECTRIC SHOCK-DO NOT EXPOSE TO RAIN. STORE INDOORS.

⚠ WARNING: FOR YOUR OWN SAFETY, READ AND UNDERSTAND OPERATOR'S MANUAL. DO NOT RUN UNATTENDED. DO NOT OPERATE NEAR TOXIC, FLAMMABLE, OR OTHER HAZARDOUS MATERIALS. DO NOT USE AROUND EXPLOSIVE LIQUIDS OR VAPORS.

CAUTION:

• When operating a power tool outside, use an outdoor extension cord marked "W-A" or "W". These cords are rated for outdoor use and reduce the risk of electric shock.

⚠ WARNING: SERVICING OF DOUBLE-INSULATED APPLIANCES
WITH A DOUBLE-INSULATED APPLIANCE, TWO SYSTEMS OF INSULATION ARE PROVIDED INSTEAD OF GROUNDING. NO GROUNDING MEANS IS PROVIDED ON A DOUBLE-INSULATED APPLIANCE, NOR SHOULD A MEANS FOR GROUNDING BE ADDED. SERVICING A DOUBLE INSULATED APPLIANCE REQUIRES EXTREME CARE AND KNOWLEDGE OF THE SYSTEM, AND SHOULD BE DONE ONLY BY QUALIFIED SERVICE PERSONNEL. REPLACEMENT PARTS FOR A DOUBLE-INSULATED APPLIANCE MUST BE IDENTICAL TO THE PARTS THEY REPLACE. YOUR DOUBLE-INSULATED APPLIANCE IS MARKED WITH THE WORDS 'DOUBLE INSULATED' AND THE SYMBOL  (SQUARE WITHIN A SQUARE) MAY ALSO BE MARKED ON THE APPLIANCE.

• To reduce the risk of electric shock-unplug before cleaning or servicing.

⚠ CAUTION: TO REDUCE THE RISK OF INJURY FROM MOVING PARTS - UNPLUG BEFORE SERVICING.

⚠ CAUTION: AVOID CONTACT WITH GROUNDED SURFACES such as pipes, radiators, ranges, and refrigerators. There is an increased risk of electric shock if your body is grounded.

EXTENSION CORDS

When using an extension cord with your orbital polisher, refer to the following table to determine the required A.W.G. wire size. Before operating, make sure the power cord and extension cord are in good working condition. Make repairs or replacements before using the orbital polisher, as use of damaged extension cords can shock, burn, or electrocute. Only use extension cords that are rated for outdoor use.

	Length of Extension Cord		
110V-120V	25 Feet 7.5 Meter	50 Feet 15.25 Meters	100 Feet 30.5 Meters
Amps	A.W.G. Wire Size		
0-6	18	16	16
7-10	18	16	14
11-12	16	16	14
13-16	14	12	Not recommended

SPECIFICATIONS

Amps: 0.4 A
 Volts: 120V (AC)
 Frequency: 60 Hz
 No-Load Speed: 3500 RPM

APPLICATIONS

Your Armor All™ orbital polisher is designed to buff or polish high-gloss surfaces. While most commonly used for adding an even shine to automotive paint surfaces, this product is ideal for polishing or buffing nearly any high-gloss surface.

Common applications include (but are not limited to):

- **Car, Truck, or SUV**
- **Recreational Vehicle**
- **Motorcycle**
- **Watercraft (Boat, Yacht, etc)**
- **Personal Aircraft**
- **Smooth Tile or Hardwood Flooring**
- **Furniture**

⚠ WARNING: This orbital polisher is designed to buff and polish only. It is equipped with a low-speed, low-torque motor. Do not attempt to use it for sanding, grinding, or any other purpose. Failure to do so can result in permanent damage to the motor and serious personal injury.

UNPACKING & CHECKING CARTON CONTENTS

Remove all contents from the box and check to make sure all information and accessories are included:

- **Armor All™ Orbital Polisher**
- **Terrycloth Applicator Bonnet**
- **Soft Buffing Bonnet**
- **Operator's Manual**

⚠ WARNING: If any parts are missing, do not operate your orbital polisher until the missing parts are replaced. Failure to do so could result in serious personal injury.

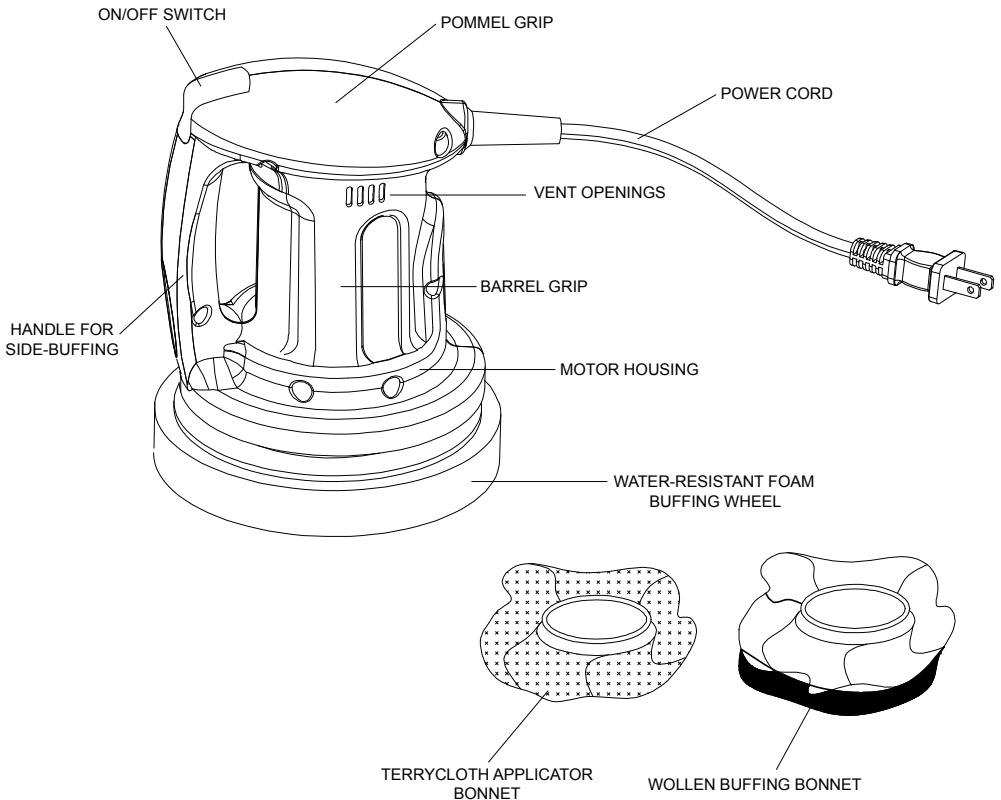
⚠ WARNING: Do not use this product as a component of other products. Do not use attachments or accessories not recommended for use with this product. Any such use could potentially result in serious personal injury.

GETTING TO KNOW YOUR ORBITAL POLISHER

Before using your new Armor All™ orbital polisher, read and familiarize yourself with the safety rules listed in this manual and with the features below.

Cord:	12" Power cord	Side Grip:	For side or low-to-ground tasks
Base Pad:	6" Water-resistant	Barrel Grip:	Standard grip for best stability
On/Off Switch:	Easy toggle on/off switch	Pommel Grip:	Comfortable grip for light tasks
Vent Openings:	Do not block or expose to water		

Terrycloth Applicator Bonnet: For applying wax or polish. Washable and re-usable.
Soft Buffing Bonnet: For removing wax or polish and buffing. Reusable.



WARNING: Do not allow familiarity with your orbital polisher to make you careless. Remember that a careless fraction of a second is sufficient to inflict severe injury.

WARNING: Your orbital polisher is designed for and **should only be connected to an AC power supply that is 120 volts, 60 Hz (normal household current)**. Do not operate this tool on direct current (DC). A substantial voltage drop will cause a loss of power and the motor will overheat. If your orbital polisher does not operate when plugged into an outlet, double check the power supply.

OPERATION

Surface Preparation

Washing the Vehicle or Work Area:

Dirt and debris can scratch and mar a surface if not completely removed before buffing. Before buffing or polishing a vehicle, wash it carefully using the following steps:

1. Rinse the vehicle to remove loose dirt and debris.
2. With a mild soap intended for automotive cleaning, wash the vehicle with a soft brush or microfiber wash mitt from the top of the vehicle working downward. Apply additional soap to remove stubborn debris.
3. Rinse all soap from the vehicle beginning from the roof downward. Ensure no soap residue remains.
4. Using a microfiber towel or chamois, dry the vehicle starting at the top and working downward. The vehicle should be completely clean and dry before buffing or polishing.

NOTICE: Paint surfaces can become soft when heated. Pay attention to vehicles sitting in direct sunlight, especially vehicles with dark color paints or during summer months. Avoid washing or buffing a car that is warm or hot to the touch, as doing so may damage the paint surface.

Bonnet Installation

CAUTION: To avoid injury make sure the plug is disconnected from any power source before installing or making adjustments to any buffing pads or accessories on your orbital polisher.

Fitting the Bonnet:

Line up the bonnet over the bottom of the buffing wheel and stretch the side of the bonnet over it. Fit the elastic edge over the wheel slowly (pulling too forcefully can tear the pad). Ensure that the pad is even and in line with the flat face of the buffing wheel.

CAUTION: Do not turn on the orbital polisher without the bonnet fully installed, as it can fly off of the wheel and potentially cause injury.

NOTICE: Always start the polisher with the pad against the vehicle or work area. If the pad is not against the vehicle, it can sling wax or polish onto unwanted areas, such as windows or wheels.

Applying Wax or Polish

Application:

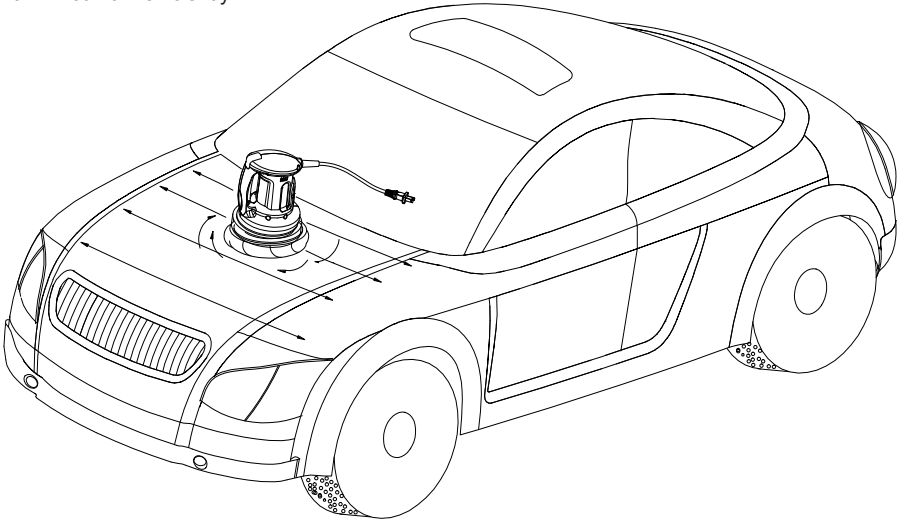
After ensuring that the work surface is clean and dry and that the bonnet is properly installed:

1. Apply the wax or polish to the terrycloth applicator bonnet. Cover the bonnet evenly to avoid creating rings across the work surface. Spread the polish like you would spread jam on toast.
2. Follow instructions included with the wax or polish of your choice to ensure the proper amount is being used for your work area.

OPERATION

Applying Wax or Polish (Continued)

3. Place the orbital polisher against the work surface before turning it on. Use long horizontal and vertical strokes to apply the wax or polish and let the polisher do the work. Do not push down on the polisher or it will not work efficiently.



4. For tight spaces or areas around wheels, emblems, antennas, etc, apply the wax by hand (you may remove the bonnet and use it for this task).

Removing Wax or Polish

Removal:

After the entire surface has been covered with the wax or polish, let it dry to a haze before removal:

1. Remove the terrycloth applicator bonnet from the orbital polisher.
2. Using a paper towel or clean cloth, wipe off any excess wax or polish that remains on the foam buffing wheel after removing the applicator bonnet.
3. Install the soft buffing bonnet using the same Bonnet Installation procedures listed on page 10.
4. To remove wax or polish, use the same long horizontal and vertical strokes used during application.
5. Again, let the tool do the work and do not push down on the polisher. Note that, as with applying the wax or polish, hard to reach places should have the material removed by hand with a soft buffing bonnet or a microfiber towel.
6. The result should be a nice even mirror-like shine.

MAINTENANCE

CAUTION: Ensure your orbital polisher is disconnected from any power supply before performing any maintenance on it.

Proper maintenance is important in getting the longest life and best results from your Armor All™ orbital polisher. Follow the below steps to keep your tool in good working order:

1. **Wipe the polisher clean.** Use a damp cloth and wipe the surfaces and cord clean after use. Mild soap can be used if necessary. Do not get water in the vent openings, as it can cause electrical issues and corrode internal parts.
2. **Care for the buffing wheel.** Remove excess wax or polish from the buffing wheel before storing. Store the orbital polisher on its side to avoid compressing the buffing wheel.
3. **Clean the bonnets.** Bonnets may be hand or machine washed (gentle cycle - do not use fabric softener). Air dry before storing. Do not let bonnets air dry on the polisher, as it will stretch the elastic band permanently and prevent the bonnet from fitting snugly.
4. **Replace worn bonnets.** Replacements can be found at your local hardware or automotive retailer.
5. **Store the polisher** with the base pad up to avoid shape change from prolonged compression.
6. **Do not attempt any electrical repairs.** Repairs should be conducted by a qualified service professional.

TROUBLESHOOTING

WARNING: TO REDUCE THE RISK OF ELECTRIC SHOCK-UNPLUG BEFORE TROUBLESHOOTING

Symptom	Possible Causes	Corrective Action
Uneven wax distribution	1) There is excessive polish/wax on the bonnet.	1) Remove some of the polish or wax and try again.
Difficulty polishing	1) The bonnet is worn.	1) Replace bonnet.
Buffing wheel doesn't spin or does so slowly	1) Motor needs to be serviced or replaced	1) Take your orbital polisher to a qualified service center.
Orbital polisher won't turn on	1) There is a bad connection to the power outlet. 2) There is a problem with the motor.	1) Check extension cord gauge and connection to outlet. 2) Take your orbital polisher to a qualified service center.
Bonnet has a wrinkle or a crease that is causing uneven buffing or polishing	1) The elastic band or drawstring is not tight.	1) Untie the drawstring and re-tighten. In the case of elastic, replace the bonnet.

TABLE DES MATIÈRES

SECTION	Page
Garantie	13
Introduction et Sécurité	14
Règles générales de sécurité	15
Règles générales de sécurité (suite)	16
Consignes de sécurité spécifiques	17
Sécurité électrique	18
Rallonges	19
Données techniques	19
Applications	20
Déballage et vérification du contenu du carton	20
Familiarisez-vous avec votre polisseuse orbitale.....	21
Utilisation	22
Entretien	24
Dépannage	25

Nous vous remercions pour votre acquisition de ce produit Armor All™. Avec votre polisseuse orbitale Armor All™, ayez la certitude de disposer d'un produit de qualité supérieure conçu pour des performances optimales.

POUR VOTRE PROPRE SÉCURITÉ, VEILLEZ À LIRE ATTENTIVEMENT ET ASSIMILER TOUTES LES INSTRUCTIONS.

GARANTIE

Nous sommes fiers d'avoir fabriqué un produit durable de qualité supérieure. Cette polisseuse orbitale Armor All™ comporte une garantie limitée d'un an contre tout défaut de fabrication et défaillance matérielle à compter de sa date d'achat sous réserve de conditions normales d'usage résidentiel. Si le produit est destiné à un usage commercial, industriel ou à des fins de location, une garantie limitée de 30 jours s'applique. La garantie ne couvre pas les dommages résultant d'une utilisation abusive directe ou indirecte, de la négligence, d'une utilisation incorrecte, d'accidents, de réparations, de modifications ou du manque d'entretien. Veuillez conserver votre reçu en guise de preuve d'achat. Cette garantie vous accorde des droits légaux spécifiques, mais vous pouvez avoir d'autres droits qui varient selon les États. Pour assurer l'entretien du produit, veuillez communiquer avec le service à la clientèle de Cleva en composant le (866) 384-8432.

INTRODUCTION ET SÉCURITÉ

VEUILLEZ LIRE LE PRÉSENT MANUEL AVANT D'UTILISER CE PRODUIT

De nombreuses peintures automobiles requièrent un bonnet plus doux et plus pelucheux que le bonnet en tissu éponge livré avec cette polisseuse orbitale.

Utilisez le bonnet en tissu éponge livré avec cette polisseuse orbitale uniquement pour appliquer de la cire et des produits chimiques correspondants pour nettoyer une surface peinte. Ne l'utilisez pas pour éliminer la cire ou pour polir une surface cirée, même après lavage. Cette action risque d'endommager la peinture. Pour le polissage de surfaces cirées, utilisez le bonnet en microfibre propre fourni.

INTRODUCTION

Cette polisseuse orbitale ArmorAll™ est conçue de façon optimale pour fourbir, cirer et polir des surfaces peintes sèches et propres des automobiles. Équipée d'un moteur durable de 0,4 ampères, cette polisseuse orbitale exécute 3 600 orbites par minute (RPM) en un mouvement circulaire aléatoire, qui est identique au mouvement d'une polisseuse manuelle bien que dans une proportion plus grande.

Le présent manuel d'utilisation est prévu pour vous aider. Veuillez lire, assimiler et respecter les sections consacrées à la sécurité, à l'installation, à l'entretien et au dépannage afin d'assurer votre sécurité, de prévenir tous dommages matériels et de vous apporter une entière satisfaction d'utilisation pendant de nombreuses années.

Le contenu du présent manuel est fondé sur les dernières informations disponibles au moment de la parution du manuel. Le fabricant se réserve le droit d'apporter des modifications au produit à tout moment et sans préavis.

AVERTISSEMENTS ET CONSIGNES DE SÉCURITÉ

▲ AVERTISSEMENT: Lisez et assimilez toutes les instructions avant d'utiliser cette polisseuse orbitale. Le non-respect de ces instructions peut entraîner des blessures corporelles et/ou des dommages matériels graves.

La sécurité est une combinaison de bon sens, de vigilance et de compréhension du mode de fonctionnement de votre appareil. Utilisez ce produit exclusivement conformément aux descriptions données dans le présent manuel d'utilisation. Afin de réduire tous risques de blessures corporelles ou d'endommagement de votre polisseuse orbitale et/ou de dommages matériels, veuillez utiliser exclusivement les accessoires recommandés.

▲ AVERTISSEMENT: Portez des lunettes de protection. L'utilisation de toute polisseuse orbitale peut provoquer des projections d'objets étrangers dans les yeux, avec des risques de lésions oculaires graves. Avant toute utilisation de l'outil, portez toujours des lunettes de protection ou des lunettes de sécurité certifiées conformes à la norme ANSI Z87.1 (ou à la norme CSA Z94.3, au Canada).

▲ AVERTISSEMENT: N'utilisez pas cette polisseuse orbitale si elle a été endommagée pendant le transport ou par suite de manipulation ou d'une mauvaise utilisation. Ne l'utilisez pas jusqu'à l'élimination du défaut ou jusqu'au remplacement des pièces brisées. Le non-respect de cette consigne peut entraîner des blessures corporelles ou des dommages matériels graves.

▲ AVERTISSEMENT: Use of this product will expose you to chemicals known to the State of California to cause cancer, birth defects, and reproductive harm. Avoid inhaling vapors and dust. Wash hands after using.

▲ AVERTISSEMENT: Ce produit contient des produits chimiques que l'État de Californie considère comme cancérogènes et responsables d'anomalies congénitales et d'autres pathologies du système reproductif. **Lavez-vous les mains après toute manipulation.**

VEUILLEZ CONSERVER L'INTÉGRALITÉ DES AVERTISSEMENTS ET INSTRUCTIONS AFIN DE POUVOIR VOUS Y RÉFÉRER ULTÉRIEUREMENT.

L'utilisation d'un appareil électrique exige le respect de certaines mesures de précaution élémentaires, notamment les règles de sécurité indiquées sur les pages ci-après.

RÈGLES GÉNÉRALES DE SÉCURITÉ

⚠ Avertissements de sécurité généraux concernant les outils électriques: espace de travail

- **Maintenez votre espace de travail propre et correctement éclairé.** Les établis encombrés et les endroits sombres sont propices aux accidents.
- **N'utilisez pas d'outils électriques dans des atmosphères explosives, comme en présence de liquides, de gaz ou de poussières inflammables.** Les outils électriques créent des étincelles susceptibles d'enflammer la poussière ou les vapeurs.
- **Tenez à distance les curieux, les enfants et les visiteurs lors de l'utilisation de tout outil électrique.** Toute distraction peut entraîner une perte de contrôle.

⚠ Avertissements de sécurité généraux concernant les outils électriques: sécurité électrique

- **Évitez tout contact avec des surfaces mises à la terre, telles que les tuyaux, radiateurs, cuisinières et réfrigérateurs. La mise à la terre de votre corps augmente les risques d'électrocution.**
- **Les fiches des outils électriques doivent s'adapter à la prise de courant. Ne modifiez jamais la fiche de quelque manière que ce soit. N'utilisez aucune fiche adaptateur avec des outils électriques mis à la terre.** L'utilisation de fiches non modifiées et de prises de courant adaptées permet de réduire les risques d'électrocution.
- **N'exposez pas vos outils électriques à la pluie ou à l'humidité.** L'infiltration d'eau dans un outil électrique augmente les risques d'électrocution.
- **Manipulez le cordon avec soin. N'utilisez jamais le cordon pour transporter les outils ou pour débrancher la fiche d'une prise. Maintenez le cordon à l'écart de toute source de chaleur, de l'huile, de bords tranchants ou de pièces mobiles. Remplacez immédiatement les cordons endommagés.** Les cordons endommagés augmentent les risques d'électrocution.
- **Lorsque vous utilisez un outil électrique à l'extérieur, utilisez une rallonge d'extérieur marquée "W-A" ou "W".** Ces cordons sont conçus pour une utilisation en extérieur et réduisent les risques d'électrocution.
- **Au cas où vous êtes obligé d'utiliser un outil électrique dans un endroit humide, utilisez une alimentation protégée par un disjoncteur différentiel de fuite à la terre (DDFT).** L'utilisation d'un disjoncteur différentiel de fuite à la terre (DDFT) permet de réduire les risques d'électrocution.

⚠ Avertissements de sécurité généraux concernant les outils électriques: sécurité personnelle

- **Au cours de l'utilisation d'un outil électrique, restez vigilant, regardez ce que vous faites et faites preuve de bon sens. N'utilisez pas l'outil lorsque vous êtes fatigué ou sous l'effet de l'alcool, de drogues ou de médicaments.** Un moment d'inattention lors de l'utilisation d'un outil électrique peut entraîner de graves blessures corporelles.
- **Habillez-vous de façon adéquate. Ne portez ni vêtements amples, ni bijoux. Recouvrez les cheveux longs. Maintenez vos cheveux, vêtements et gants à l'écart des pièces mobiles.** Les vêtements amples, les bijoux et les cheveux longs peuvent être entraînés dans les pièces mobiles.
- **Évitez les démarrages accidentels. Assurez-vous que le commutateur est positionné sur "OFF" avant de brancher l'outil électrique.** Le transport d'outils électriques avec le doigt sur le commutateur ou le branchement d'outils électriques dont le commutateur est positionné sur "ON" est propice aux accidents.
- **Retirez toute clé ou autre outil de réglage avant de mettre en marche l'outil électrique.** Une clé fixée à une pièce mobile de l'outil électrique peut entraîner des blessures corporelles.
- **N'essayez pas d'atteindre des éléments trop éloignés de vous. Maintenez constamment votre équilibre et une assise ferme.** Un équilibre et une assise appropriés permettent de mieux contrôler votre outil électrique dans des situations imprévues.

- **Utilisez des équipements de sécurité. Portez toujours des lunettes de protection.** Il convient de porter un masque anti-poussière, des chaussures de sécurité antidérapantes, un casque protecteur ou des protecteurs d'oreilles pour des conditions appropriées.
- **N'utilisez pas une échelle ou une surface instable.**
- ▲ **Avertissements de sécurité généraux concernant les outils électriques: utilisation et entretien des outils**
- **Utilisez des pinces ou tous autres moyens pratiques pour fixer solidement et soutenir la pièce d'usinage à une plateforme stable.** Tenir la pièce en main ou contre le corps est une méthode instable et risque d'entraîner une perte de contrôle.
- **Ne forcez pas sur l'outil. Utilisez l'outil adapté à l'application à laquelle vous le destinez.** L'outil approprié effectuera le travail de manière plus efficace et plus sûre, utilisé au rythme pour lequel il est conçu.
- **N'utilisez pas l'outil si son commutateur ne permet pas de le mettre en marche ou de l'éteindre.** Un outil qui ne peut être contrôlé au moyen de son commutateur d'alimentation présente un danger et doit être réparé.
- **Débranchez la fiche de la source d'alimentation avant de procéder à tout réglage, au changement d'accessoires ou au rangement de l'outil.** Ces mesures préventives de sécurité permettent de réduire les risques de démarrage accidentel de l'outil.
- **Rangez les outils à l'arrêt hors de la portée des enfants et de toutes autres personnes non formées.** Les outils électriques sont dangereux entre les mains de personnes non formées.

RÈGLES GÉNÉRALES DE SÉCURITÉ (suite)

- ▲ **Avertissements de sécurité généraux concernant les outils électriques: utilisation et entretien des outils (suite)**
- **Entretenez les outils avec soin. Maintenez les outils aiguisés et propres.** Des outils correctement entretenus et dont les tranchants sont bien affûtés risquent moins de se déformer et sont plus simples à contrôler.
- **Vérifiez l'alignement correct des pièces mobiles, ou qu'elles ne présentent aucune déformation, le bris de pièces et tous autres dommages susceptibles d'affecter le bon fonctionnement de l'outil. Si l'outil est endommagé, faites-le réparer avant utilisation.** De nombreux accidents sont dus à un mauvais entretien des outils.
- **Utilisez exclusivement les accessoires recommandés par le fabricant pour votre modèle.** Des accessoires adaptés à un outil donné peuvent devenir dangereux lorsqu'ils sont utilisés sur un autre outil.
- ▲ **Avertissements de sécurité généraux concernant les outils électriques: réparations**
- La réparation de l'outil doit être exclusivement assurée par du personnel de réparation qualifié. Toute réparation ou tout entretien effectué par du personnel non qualifié peut entraîner des risques de blessures.
- Pour l'entretien et les réparations d'un outil, utilisez exclusivement des pièces de rechange identiques à celles d'origine. Respectez les instructions contenues dans la section Entretien à la page 12 du présent manuel. L'utilisation de pièces non autorisées ou le non-respect des instructions d'entretien peut entraîner des risques d'électrocution ou des blessures.
- Si l'outil ne fonctionne pas convenablement, est endommagé, a été laissé dehors ou est tombé dans l'eau, renvoyez-le à un centre de réparation.

CONSIGNES DE SÉCURITÉ SPÉCIFIQUES

Utilisation de l'outil en toute sécurité: règles supplémentaires

Le respect de ces règles réduira tous risques de blessures corporelles graves.

- Familiarisez-vous avec votre outil électrique. Apprenez ses applications et limites, ainsi que les dangers potentiels spécifiques relatifs à cet outil.
- Portez toujours des lunettes de sécurité! Les lunettes de vue ordinaires sont munies uniquement de verres résistant aux impacts; ce NE sont PAS des lunettes de sécurité.
- Protégez vos poumons. Portez un masque facial ou un masque anti-poussière si vous devez travailler dans un milieu poussiéreux.
- Protégez vos oreilles. Portez des protecteurs d'oreilles lors d'utilisation prolongée.
- Maintenez les mains à l'écart du plan de travail.
- Tenez la polisseuse orbitale des deux mains pour la faire fonctionner.
- Examinez régulièrement les cordons de l'outil et, s'ils sont endommagés, faites-les réparer dans un centre de réparations. À tout moment, vous devez savoir où se trouve votre cordon.
- N'utilisez pas la polisseuse avec des pièces endommagées.
- Manipulez le cordon avec soin. N'utilisez jamais le cordon pour transporter l'outil et ne l'arrachez pas d'un coup sec pour le débrancher de la prise. Maintenez le cordon à l'écart de toute source de chaleur, de l'huile et de bords tranchants. Le respect de cette consigne réduira les risques d'électrocution ou d'incendie.
- Veillez à ce que la rallonge soit en bon état. Lorsque vous utilisez une rallonge, veillez à ce que celle-ci soit suffisamment épaisse pour transporter le courant nécessaire au produit. Un calibre de câble (A.W.G) d'au minimum 16 est recommandé pour une rallonge de 30 m (100 pieds) au maximum. Nous vous déconseillons l'utilisation d'une rallonge de plus de 30 m (100 pieds). En cas de doute, utilisez le calibre immédiatement supérieur. Plus le numéro du calibre est petit, plus le cordon est épais. Un cordon de calibre insuffisant provoquera une chute de tension engendrant une perte de puissance et une surchauffe.
- N'utilisez pas l'outil lorsque vous êtes sous l'effet de drogues, de l'alcool ou de médicaments.
- Conservez ces consignes. Référez-vous y fréquemment et utilisez-les pour expliquer le fonctionnement de cet outil à toutes autres personnes susceptibles de l'utiliser. Si vous prêtez cet outil, prêtez également ce manuel d'instructions.

SÉCURITÉ ÉLECTRIQUE

Cette polisseuse orbitale est à double isolation, ce qui élimine la nécessité d'un système de raccordement à la terre distinct. Utilisez uniquement des pièces de rechange identiques à celles d'origine. Lisez les instructions d'entretien et de réparations des appareils à double isolation avant tout entretien ou toute réparation. Utilisez cette polisseuse orbitale conformément aux descriptions données dans le présent manuel d'utilisation.


 **DOUBLE ISOLATION: MISE À LA TERRE NON NÉCESSAIRE: LORS DE RÉPARATIONS, UTILISEZ UNIQUEMENT DES PIÈCES DE RECHANGE IDENTIQUES À CELLES D'ORIGINE.**

⚠ AVERTISSEMENT: AFIN DE RÉDUIRE TOUTS RISQUES D'ÉLECTROCUTION, N'EXPOSEZ PAS CET OUTIL À LA PLUIE. ENTREPOSEZ L'APPAREIL À L'INTÉRIEUR.

⚠ AVERTISSEMENT: POUR VOTRE PROPRE SÉCURITÉ, VEILLEZ À LIRE ET ASSIMILER LE MANUEL D'UTILISATION. NE FAITES PAS FONCTIONNER LA POLISSEUSE SANS SURVEILLANCE. N'UTILISEZ PAS LA POLISSEUSE À PROXIMITÉ DE MATÉRIAUX TOXIQUES, INFLAMMABLES OU DE TOUTS AUTRES MATÉRIAUX DANGEREUX. N'UTILISEZ PAS LA POLISSEUSE À PROXIMITÉ DE VAPEURS OU LIQUIDES EXPLOSIFS.

ATTENTION!

- Lorsque vous utilisez un outil électrique à l'extérieur, utilisez une rallonge d'extérieur marquée "W-A" ou "W". Ces cordons sont conçus pour une utilisation en extérieur et réduisent les risques d'électrocution.

⚠ AVERTISSEMENT: RÉPARATIONS D'APPAREILS À DOUBLE ISOLATION LES APPAREILS À DOUBLE ISOLATION SONT LIVRÉS AVEC DEUX SYSTÈMES D'ISOLATION EN LIEU ET PLACE D'UNE MISE À LA TERRE. AUCUNE MISE À LA TERRE N'EST FOURNIE SUR UN APPAREIL À DOUBLE ISOLATION ET IL NE CONVIENT PAS D'EN AJOUTER UNE. LA RÉPARATION D'UN APPAREIL À DOUBLE ISOLATION REQUIERT UNE PRUDENCE EXTRÊME ET UNE BONNE CONNAISSANCE DU SYSTÈME; ELLE DOIT DONC ÊTRE EXCLUSIVEMENT EFFECTUÉE PAR DU PERSONNEL D'ENTRETIEN QUALIFIÉ. LES PIÈCES DE RECHANGE D'UN APPAREIL À DOUBLE ISOLATION DOIVENT ÊTRE IDENTIQUES AUX PIÈCES REMPLACÉES. LES MOTS "DOUBLE ISOLATION" FIGURENT SUR VOTRE APPAREIL ET LE SYMBOLE  (CARRÉ DANS UN CARRÉ) PEUT ÉGALEMENT Y FIGURER.

- Afin de réduire tous risques d'électrocution, débranchez l'appareil avant de procéder à son nettoyage ou à sa réparation.

⚠ ATTENTION! AFIN DE RÉDUIRE TOUTS RISQUES DE BLESSURES DUES À DES PIÈCES MOBILES, DÉBRANCHEZ L'APPAREIL AVANT DE PROCÉDER À LA RÉPARATION.

⚠ ATTENTION! ÉVITEZ TOUT CONTACT CORPOREL AVEC DES SURFACES MISES À LA TERRE, telles que les tuyaux, radiateurs, cuisinières et réfrigérateurs. Le risque d'électrocution est accru si votre corps est en contact avec la terre.

RALLONGES

Lors de l'utilisation d'une rallonge avec votre polisseuse orbitale, reportez-vous au tableau suivant afin de déterminer le calibre du câble A.W.G. requis. Avant l'utilisation de la polisseuse, assurez-vous que le cordon d'alimentation et la rallonge sont en bon état de marche. Effectuez toutes réparations ou tous remplacements avant d'utiliser la polisseuse orbitale, car l'utilisation d'une rallonge endommagée peut entraîner des risques de brûlures et d'électrocution. Utilisez uniquement des rallonges conçues pour une utilisation extérieure.

	Longueur de la rallonge		
110 à 120 V	7,5 mètres (25 pieds)	15,25 mètres (50 pieds)	30,5 mètres (100 pieds)
Ampères	Calibre du câble (A.W.G)		
0-6	18	16	16
7-10	18	16	14
11-12	16	16	14
13-16	14	12	Déconseillé

DONNÉES TECHNIQUES

Ampères: 0.4 A
Volts: 120 V (AC)
Fréquence: 60 Hz
Vitesse à vide: 3500 TPM

APPLICATIONS

Votre polisseuse orbitale Armor All™ est conçue pour polir ou fourbir des surfaces très brillantes. Bien que ce produit serve couramment à ajouter un éclat uniforme aux surfaces peintes des automobiles, il est idéal pour fourbir ou polir pratiquement n'importe quelle surface très brillante.

Les applications courantes incluent, sans toutefois s'y limiter:

- **Voiture, camion ou VUS**
- **Véhicules de loisirs**
- **Motocyclette**
- **Véhicules nautiques (Bateau, Yacht, etc.)**
- **Aéronef personnel**
- **Carrelage lisse ou parquet en bois dur**
- **Meubles**

⚠ AVERTISSEMENT: Cette polisseuse orbitale est conçue pour polir et fourbir exclusivement. Elle est équipée d'un moteur à vitesse lente et couple faible. Ne tentez pas de l'utiliser pour effectuer du ponçage ou du meulage, ni à aucune autre fin. Le non-respect de cette consigne peut causer des dommages permanents au moteur et entraîner de graves blessures corporelles.

DÉBALLAGE ET VÉRIFICATION DU CONTENU DU CARTON

Retirez de la boîte tout son contenu et vérifiez-en tous les éléments afin de vous assurer que l'intégralité des informations et accessoires s'y trouve.

- **Polisseuse orbitale Armor All™**
- **Bonnet applicateur en tissu éponge**
- **Bonnet de polissage doux**
- **Manuel d'utilisation**

⚠ AVERTISSEMENT: Si des pièces sont manquantes, ne faites pas fonctionner votre polisseuse orbitale avant de les avoir remplacées. Le non-respect de cette consigne peut entraîner des blessures corporelles graves.

⚠ AVERTISSEMENT: N'utilisez pas ce produit en tant que composant d'autres produits. N'utilisez pas de fixations ou d'accessoires non expressément recommandés pour être utilisés avec ce produit. Toute utilisation de cette nature peut entraîner des blessures corporelles graves.

FAMILIARISEZ-VOUS AVEC VOTRE POLISSEUSE ORBITALE

Avant d'utiliser votre nouvelle polisseuse orbitale Armor All™, lisez et familiarisez-vous avec les règles de sécurité répertoriées dans le présent manuel et avec les fonctions ci-après.

Cordon: Cordon d'alimentation de 12 po

Tampon de base: Résistant à l'eau (6 po)

Commutateur : Commutateur marche / arrêt permettant de passer aisément d'un mode à l'autre

Orifices d'aération: Ne les obstruez pas et ne les exposez pas à l'eau.

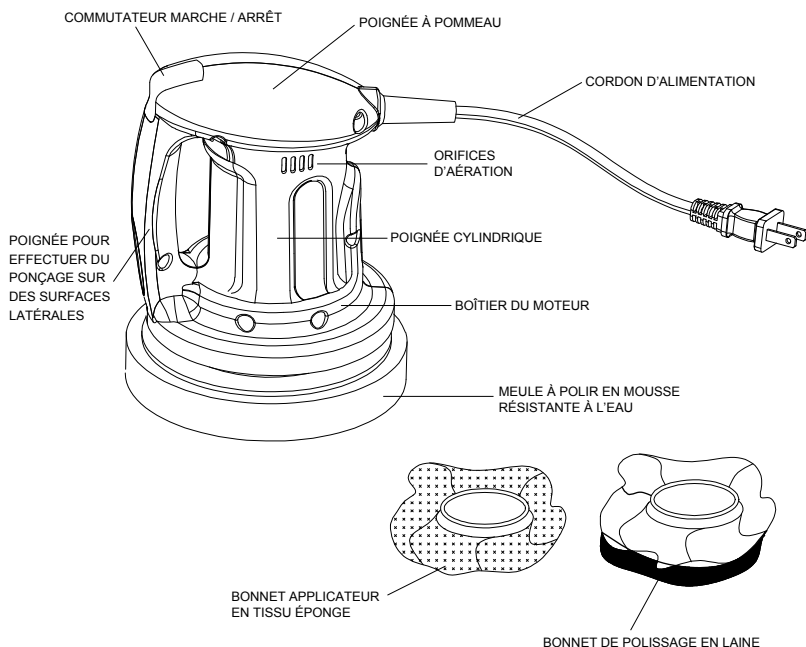
Poignée latérale: Permet d'accomplir des tâches sur les côtés ou près du sol

Poignée cylindrique: Poignée standard pour une stabilité optimale

Poignée à pommeau: Poignée confortable pour accomplir des tâches légères

Bonnet applicateur en tissu éponge: Permet d'appliquer la cire ou le produit de polissage. Lavable et réutilisable.

Bonnet de polissage doux: Permet d'éliminer la cire ou le produit de polissage et d'effectuer du ponçage. Réutilisable.



AVERTISSEMENT: Ne laissez pas votre maîtrise de votre polisseuse orbitale vous rendre imprudent. Souvenez-vous qu'une fraction de seconde d'inattention peut suffire pour provoquer des blessures graves.

AVERTISSEMENT: Votre polisseuse orbitale est conçue pour et doit être raccordé exclusivement à une source d'alimentation AC de 120 volts, 60 Hz (courant résidentiel standard). Ne faites pas fonctionner cet outil en courant continu (DC). Une chute de tension importante provoquera une perte de puissance et la surchauffe du moteur. Si votre polisseuse orbitale ne fonctionne pas alors qu'elle est branchée à une prise, vérifiez la source d'alimentation.

UTILISATION

Préparation des surfaces

Lavage du véhicule ou de l'espace de travail:

La saleté et des débris peuvent rayer et abîmer une surface si ceux-ci ne sont éliminés entièrement avant tout polissage. Avant de procéder au polissage ou meulage d'un véhicule, lavez celui-ci soigneusement en exécutant les étapes suivantes:

1. Rincez le véhicule pour en éliminer toutes saletés et tous débris.
2. Lavez le véhicule à l'aide d'un savon doux pour nettoyage des automobiles et d'une brosse douce ou d'un gant microfibre de lavage en commençant par la partie supérieure du véhicule et en progressant vers le bas. Appliquez du savon supplémentaire pour éliminer tous débris tenaces.
3. Rincez tout le savon du véhicule en commençant par le toit et en progressant vers le bas. Assurez-vous qu'aucun résidu de savon ne reste.
4. À l'aide d'un chiffon ou d'une peau de chamois en microfibre, séchez le véhicule en commençant par la partie supérieure et en progressant vers le bas. Le véhicule doit être entièrement propre et sec avant tout polissage ou meulage.

REMARQUE: Les surfaces peintes peuvent se ramollir lorsqu'elles sont exposées à la chaleur. Faites attention aux véhicules exposés aux rayons du soleil, en particulier les véhicules aux peintures de teintes foncées ou pendant les mois d'été. Évitez de laver ou de polir une voiture qui est tiède ou chaude au toucher, car cette action risque d'endommager la surface peinte.

Installation du bonnet

ATTENTION! Afin d'éviter toutes blessures, assurez-vous que la fiche est débranchée de toute source d'alimentation avant d'installer ou de procéder à des réglages de tous tampons ou accessoires de polissage sur votre polisseuse orbitale.

Fixation du bonnet:

Alignez le bonnet sur la base de la meule à polir et étirez le côté du bonnet sur celui-ci. Fixez le bord élastique sur la meule lentement (si vous tirez dessus trop fortement, vous risquez de déchirer le tampon). Assurez-vous que le tampon est uniforme et aligné sur la face plane de la meule à polir.

ATTENTION! Ne mettez pas en marche la polisseuse orbitale sans le bonnet entièrement installé, car celui-ci peut se détacher de la meule et risquer de provoquer des blessures.

REMARQUE: Démarrez toujours la polisseuse avec le tampon posé contre le véhicule ou l'espace de travail. Si le tampon n'est pas posé contre le véhicule, celui-ci peut projeter de la cire ou du produit de polissage sur des zones non souhaitées, notamment les vitres ou les roues.

Application de la cire ou du produit de polissage

Application:

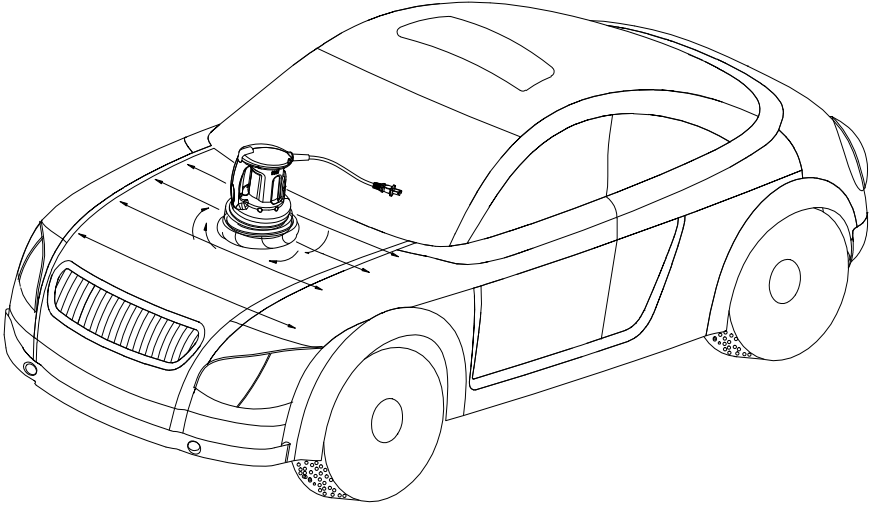
Après vous être assuré que l'espace de travail est propre et sec et que le bonnet est correctement installé:

1. Appliquez la cire ou le produit de polissage sur le bonnet applicateur en tissu éponge. Couvrez le bonnet uniformément afin d'éviter de créer des anneaux sur la surface de travail. Étalez le produit de polissage de la même manière que vous étalez la confiture sur des toasts.
2. Respectez les instructions qui accompagnent la cire ou le produit de polissage de votre choix afin de vous assurer d'utiliser la quantité adaptée à votre espace de travail.

UTILISATION

Application de la cire ou du produit de polissage (suite)

3. Placez la polisseuse orbitale contre la surface de travail avant de la mettre en marche. Appliquez la cire ou le produit de polissage en effectuant de longs mouvements de va-et-vient, horizontalement et verticalement, puis laissez la polisseuse faire le travail. Ne pesez pas sur la polisseuse. Dans le cas contraire, elle ne fonctionnera pas efficacement.



4. En ce qui concerne les espaces ou surfaces réduits situés autour des roues, des emblèmes, des antennes, etc., appliquez la cire à la main (vous pouvez retirer le bonnet et l'utiliser pour effectuer cette tâche).

Élimination de la cire ou du produit de polissage

Élimination:

Après la totalité de la surface recouverte de cire ou de produit de polissage, laissez celui-ci sécher avant de procéder à l'élimination:

1. Retirez le bonnet applicateur en tissu éponge de la polisseuse orbitale.
2. À l'aide d'une serviette en papier ou d'un chiffon propre, essuyez tout excès de cire ou de produit de polissage restant sur la meule à polir en mousse après le retrait du bonnet applicateur.
3. Installez le bonnet de polissage doux en suivant les procédures d'installation du bonnet énumérées à la page 10.
4. Pour éliminer la cire ou le produit de polissage, effectuez les mêmes mouvements de va-et-vient, horizontalement et verticalement, utilisés pendant l'application.
5. Encore une fois, laissez l'outil faire le travail et ne pesez pas sur la polisseuse. Remarque: comme c'est le cas avec l'application de la cire ou du produit de polissage, dans les endroits difficiles d'accès, l'élimination du matériau doit se faire à la main à l'aide du bonnet de polissage doux ou d'un chiffon à microfibre.
6. Le résultat doit être un magnifique effet miroitant uniforme.

ENTRETIEN

ATTENTION! Assurez-vous que votre polisseuse orbitale est débranchée de la source d'alimentation avant de procéder à son entretien.

Un entretien correct est important afin d'assurer une durée de vie plus longue à votre polisseuse orbitale Armor All™ et d'en tirer des performances optimales. Exécutez les étapes ci-après afin de maintenir votre outil en bon état de fonctionnement:

- 1. Essayez proprement la polisseuse.** Utilisez un chiffon humide pour nettoyer proprement les surfaces et le cordon après utilisation. Si nécessaire, vous pouvez utiliser du savon doux. Ne laissez pas de l'eau s'infiltrer dans les orifices d'aération, car cela risque de provoquer des problèmes électriques et la corrosion des pièces internes.
- 2. Entretien de la meule à polir.** Éliminez tout excès de cire ou de produit de polissage de la meule à polir avant de la ranger. Rangez la polisseuse orbitale sur le côté afin d'éviter de comprimer la meule à polir.
- 3. Nettoyez les bonnets.** Les bonnets peuvent être lavés à la main ou à la machine (en cycle doux: n'utilisez pas d'adoucissant textile). Laissez-les sécher à l'air libre avant de les ranger. Ne laissez pas sécher à l'air libre les bonnets installés sur la polisseuse, car cela risque d'étirer la bande élastique de manière permanente et empêcher le bonnet de s'ajuster parfaitement.
- 4. Remplacez les bonnets usés.** Des bonnets de rechange sont disponibles dans la quincaillerie ou chez le détaillant de produits pour véhicules automobiles de votre localité.
- 5. Rangez la polisseuse** avec le tampon de base orienté vers le haut afin d'éviter toute déformation due une compression prolongée.
- 6. Ne tentez d'effectuer aucune réparation électrique. Les réparations doivent être effectuées par un technicien qualifié.**

DÉPANNAGE

AVERTISSEMENT: AFIN DE RÉDUIRE TOUS RISQUES D'ÉLECTROCUTION, DÉBRANCHEZ L'APPAREIL AVANT DE PROCÉDER AU DÉPANNAGE

Symptôme	Causes Possibles	Mesure Corrective
Répartition inégale de la cire	1) Trop de produit de polissage / cire appliqué sur le bonnet.	1) Éliminez une certaine quantité de produit de polissage ou de cire, puis essayez à nouveau.
Difficulté de polissage	1) Le bonnet est usé.	1) Remplacez le bonnet.
La meule à polir ne tourne pas ou tourne trop lentement	1) Le moteur doit être réparé ou remplacé	1) Envoyez votre polisseuse orbitale dans un centre de réparation qualifié.
La polisseuse orbitale ne se met pas en marche	1) Présence d'un mauvais branchement à la source d'alimentation. 2) Le moteur a un problème.	1) Vérifiez la jauge de la rallonge et le branchement à la prise. 2) Envoyez votre polisseuse orbitale dans un centre de réparation qualifié.
Le bonnet présente un froissement ou un pli qui provoque un meulage ou polissage inégal	1) La bande élastique ou le cordon coulissant est trop tendu.	1) Desserrez le cordon coulissant, puis resserrez-le. Dans le cas de l'élastique, remplacez le bonnet.