

LIMITED LIFETIME WARRANTY

#8091 FLOW-THRU SYSTEM W/ BRUSH AND VENTURI

Innovative Products of America® Incorporated has established a Limited Lifetime Warranty Policy for the **Flow-Thru System w/ Brush and Venturi**. All non-wearable components are covered under IPA®'s Limited Lifetime Warranty. The brushes and the hose are considered wearable and are not covered under normal wear and tear, use and abuse.

The product is warranted to be free from defects in workmanship or material. If there is a problem due to workmanship or material defect, Innovative Products of America® will repair or replace the product within 24-working hours after it is received by the IPA® Repair Service Center. In the event it is determined that the product has been tampered with or altered in any way, the warranty is void and all claims against the product will not be honored. The Warranty Repair/Return procedures require that the proof of purchase must be established (either by warranty card from the seller or by point of purchase receipt/invoice) and the manufacturer makes every attempt to return ship the product within three business days from the receipt of the returned product, freight prepaid.

If it has been determined that the tool has been damaged due to misuse, Innovative Products of America® will repair the tool at a cost we deem reasonable and these charges will be the responsibility of the user. We truly want you to be happy with our products, so if you have any questions, call us toll free at 888-786-7899.



Innovative Products of America® Incorporated
234 Tinker Street, Woodstock, NY 12498
888-786-7899 • 845-679-4500 • www.ipatools.com

© 2018 Innovative Products of America® Incorporated. All rights reserved. This material may not be reproduced, displayed, modified or distributed without the express prior written permission of the copyright holder. For permission, contact info@ipatools.com. 8091-Manual-VA-01-09



#8091

**FLOW-THRU SYSTEM
W/ BRUSH AND VENTURI**

Operator's Manual



Cleans, Restores and Applies Solvents Under Pressure

Innovative Products of America® Incorporated
888-786-7899 • 234 Tinker Street, Woodstock, NY 12498 • www.ipatools.com

TYPICAL USAGE EXAMPLES:

- 1. Degreasing:** Use venturi and air pressure to blast surfaces with degreaser. The air pressure combined with the degreaser and scrubbing action of the brush provides a superior cleaning than traditional methods.
Quick Tip: This does not have to be a messy job. Use the flow control valve and an air regulator to limit the amount of overspray while working.
- 2. Descaling and wire brushing:** Use with or without air pressure while brushing surfaces. The air pressure helps dislodge materials and move them away from the work area while you clean.
- 3. Rust converter and restoration work:** By combining brushing under air pressure and applying solvents, common jobs can be performed faster and more complete than ever. The air pressure helps to blast the solvents into hard-to-access areas that would otherwise go untouched.

CLEANING AND MAINTENANCE

The brush heads and valve components should be cleaned after usage to ensure maximum life of the tool. Rust converters and dirt may clog valves if left to sit. After use, flush with clean water or paint thinner when necessary. If possible, blow shop air through components to remove any solvents or debris before storage.

NOTES: Every component in the kit is designed to withstand standard shop chemicals. The materials used in this kit include anodized aluminum, stainless steel, nylon and nickel-plated brass components and fuel-rated hose. When possible, flush the system with water or use paint thinner to dislodge any solvents that may clog up the valve.

- **WARNING: DO NOT USE WITH DIESEL EXHAUST FLUID (DEF)**

IMPORTANT SAFETY INSTRUCTIONS

IT IS IMPORTANT TO READ, UNDERSTAND AND FOLLOW ALL SAFETY MESSAGES AND INSTRUCTIONS PRINTED IN THIS MANUAL AND ON THE EQUIPMENT BEFORE OPERATING. IF SAFETY INFORMATION IS NOT HEEDED, SERIOUS INJURY OR DEATH TO THE OPERATOR OR BYSTANDERS MAY OCCUR.

DANGER

Indicates a hazardous situation, if not avoided, will result in death or serious injury. The possible hazards are shown in the adjoining symbols or explained in the text.

WARNING

Indicates a hazardous situation, if not avoided, could result in death or serious injury. The possible hazards are shown in the adjoining symbols or explained in the text.

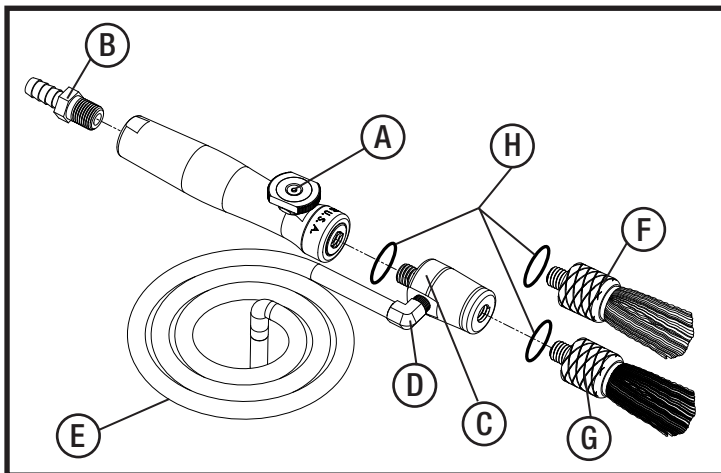
CAUTION

Indicates a hazardous situation, if not avoided, may result in minor or major injury. The possible hazards are shown in the adjoining symbols or explained in the text.



- Always wear safety glasses
- Always wear respirator
- **WARNING:** Risk of Explosion - **Do not use with gasoline and other volatile liquids.**
- **WARNING/DANGER!** DO NOT USE the venturi with volatile, or explosive chemicals such as gasoline, diesel, mineral spirits, etc. The air pressure will atomize the solvent which can explode, catch fire and be dangerous to breathe.
- **WARNING: NEVER SMOKE** or use this product around open flames or sources of ignition or spark.

WHAT'S INCLUDED



REPLACEMENT PART NUMBERS

	Part #	Description
A	#HDL0009-AS	Aluminum Handle with Flow-Valve and Magnet
B	#BRB-0009	¼" NPT x ⅜" Barbed Fitting
C	#8091-VNT-AS	Venturi Assembly
D	#8091-8	⅜" NPT ¼" Barb Swivel Fitting
E	#HS-FUELYLW6	6' Chemical Resistant ¼" ID Hose
F	#8091-1S-AS	Stainless Steel Flow-Thru Brush
G	#8091-1N-AS	Nylon Flow-Thru Brush
H	#8091-11	#110 Viton O-Ring .375" ID

INSTRUCTIONS

INTRODUCTION:

The **Flow-Thru System W/ Brush and Venturi** is a powerful and versatile product that features interchangeable components which can be configured for a variety of uses. Prior to using, please read the warnings.

Typical uses include: parts cleaning, wire brushing, removing rust/debris, and applying degreasers and various solvents. It is always recommended that you follow rigid safety standards while using this product. Safety glasses are always required, and a respirator is recommended when using with any types of chemicals.

- Ergonomic, anodized aluminum handle features an integrated flow control/shut-off valve and is made from quality components. It is rated for a maximum pressure of 175 psi and can be cleaned with paint thinner or other solvents. The input threads are ¼" NPT and the output is ⅜" x 20 straight-thread type. **DO NOT** attempt to screw fittings into the output threads unless they are the same thread type.

- **Hose Barb:** The supplied ¼" NPT x ⅜" hose barb can be inserted for use with a standard parts-cleaning sink adapter hose.

Quick Tip: Your standard shop air fitting may also slip fit into a parts-cleaning sink adapter hose. If so, you may choose to not use the supplied barb fitting.

- **Venturi:** For safety reasons, **ONLY USE THE VENTURI** with safe liquids such as organic cleaners/degreasers, water, etc. The supplied venturi comes attached to a 6' long hose. To use the venturi, attach shop air pressure to the input of the handle. Ensure that the valve is closed. Screw the venturi into the output end of the handle. Place hose into a container of solvent and slowly open the flow control valve. The venturi will quickly create a vacuum through the hose and suck up the solvent. Once the solvent meets with the air pressure, it will spray out of the end of the tool. You may choose to equip the end of the tool with a brush or simply use it as a spray gun/pressure washer.
- **Brushes:** Nylon and stainless steel brush attachments are both provided with this kit. Use the nylon brush on softer materials such as plastic, brass and aluminum. Use the stainless steel on harder surfaces or for severe debris and/or dirt.