

EXIT

Wind Resistant Square Post



**Square Post = Stable Signs
No Twist or Wobble!**

*10X more contact
between sign & post
than with round post*

Sign Sits Flat Against Square Post



Strong Plastic Post with Reinforcing Center Crossbars



PLASTICADE® SIGN STANDS WITH RUBBER BASES

- Three sizes, 30 lbs., 60 lbs., and 90 lbs.
 - durable, thick, recycled rubber
 - stack 30 lb. and 60 lb. for 90 lb. base
- Won't chip, crack, or crumble
 - resistant to weather, oil, salt, moisture, UV light, and temperature
- Molded-in Hand-grips make bases easy to pick up
- Optional wheels make moving signs even easier
 - polyurethane lined wheels are durable, quiet, and rust free
 - zinc plated hardware
- Made in the U.S.A.



The Power Post™ Advantage

- Reinforced plastic square post is stronger and more stable than round
 - 15% greater wind resistance than round posts
 - 10 times more surface area contact between sign and post
 - no sign twisting on post, no post rotating in base
 - impact resistant post has reinforcing center crossbars
- Lightweight and will never rust
- Pre-drilled holes for multiple sign sizes
- Mounting hardware included
- Available in white, custom colors with minimum order quantity

Sold in Sets
Rubber Base with
Plastic Square Power Post™

**SQUARE
POWER POST™
ADVANTAGE**
15% Greater
Wind Resistance
than Round Posts



30 lbs.



60 lbs.



90 lbs.



OPTIONAL WHEELS

comes with two double wheel
assemblies installed



PLASTICADE®

Plasticade.com

Sign Sizing Guide

30 lb. base: use with signs 12"W x 18"H or smaller

60 lb. base: use with signs 24" x 24" or smaller

90 lb. base: use with signs larger than 24" x 24"

Hardware Provided:

3 ea. Hex Bolt Zinc 3/8 x 2-1/2

5 ea. Washer 3/8

3 ea. Locknut 3/8-16

To secure post to base: use 1 hex bolt, 1 locknut, and 1 washer

To secure sign: use 2 hex bolts, 2 locknuts, and 4 washers

Post Size:

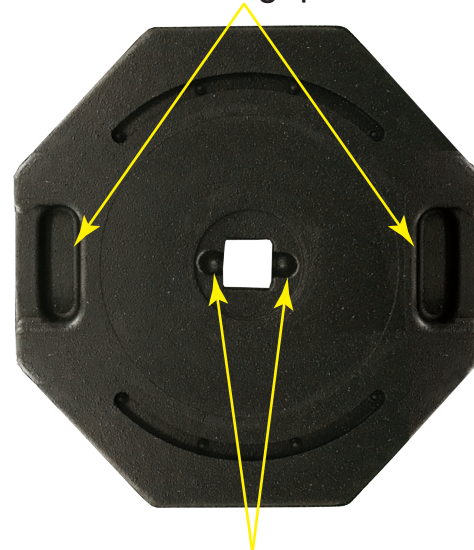
60" long, 1.75" wide

Posts come with holes drilled

Underside of Base With Post Installed



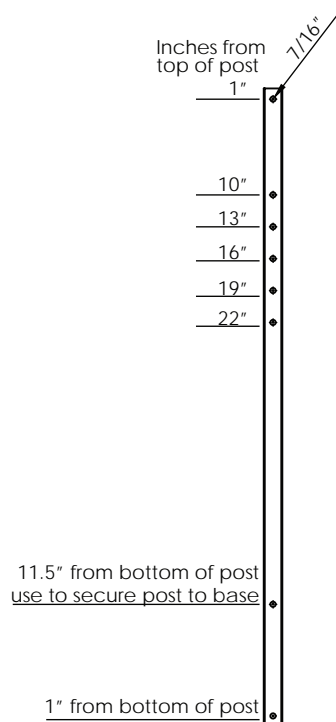
Underside of Base Hand-grip



Indents for bolt that holds post in place



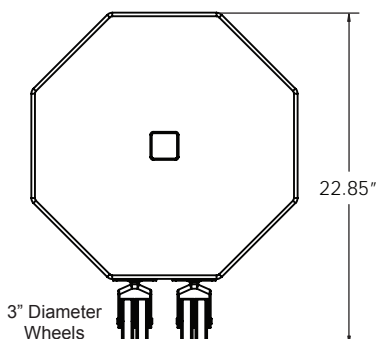
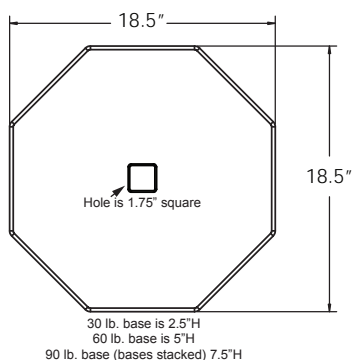
Hole Placement On Post



Convert Rubber Bases To Accept U-Channel

U-Channel Adapter for 30 lb. & 60 lb. Rubber Bases

- Steel adapter is powder coated black
- Fits our 30 lb. and 60 lb. recycled rubber bases, with square center hole
- Use with bases with or without wheels
- Adapter kit comes with hardware to attach your U-Channel to adapter
- 12"H, 1.5 lbs.



PLASTICADE®

100 Howard Avenue
Des Plaines, IL 60018
phone (800) 772-0355
fax (847) 966-8074
Plasticade.com

MADE IN THE USA