

# OPEN TOP DELINEATORS

Portable,  
highly visible,  
delineator posts



- Two sizes, 42"H and 28"H
- Post diameter - 4"
- Flange on bottom grabs base for tight fit, 6" diameter
- Quick to set up
- Reflective bands, 3" or 4" wide
- Durable polyethylene
- Recycled rubber bases, 8, 10, 12, or 18 lbs.
- NCHRP-350 Accepted, Meets MUTCD Standards

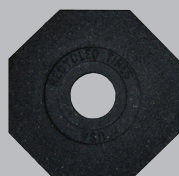


6"W Flange holds unit in base

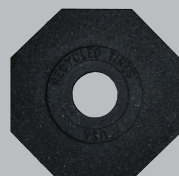
## Recycled Rubber Bases in Four Sizes



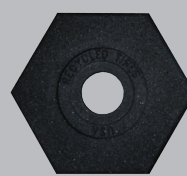
8 lb. base



10 lb. base



12 lb. base



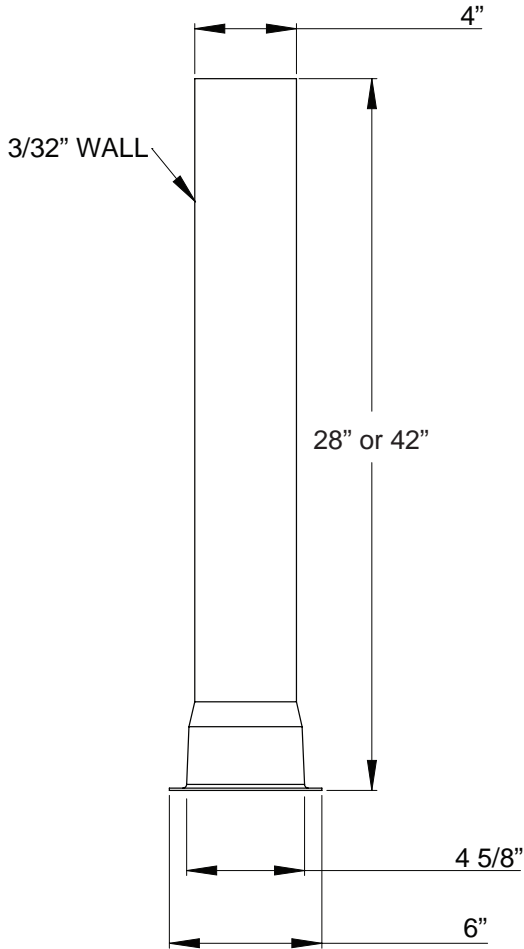
18 lb. base

Thickness of base varies with weight

**PLASTICADE**®

[Plasticade.com](http://Plasticade.com)

# OPEN TOP DELINEATORS



Purchase with or without reflective bands

## Specs

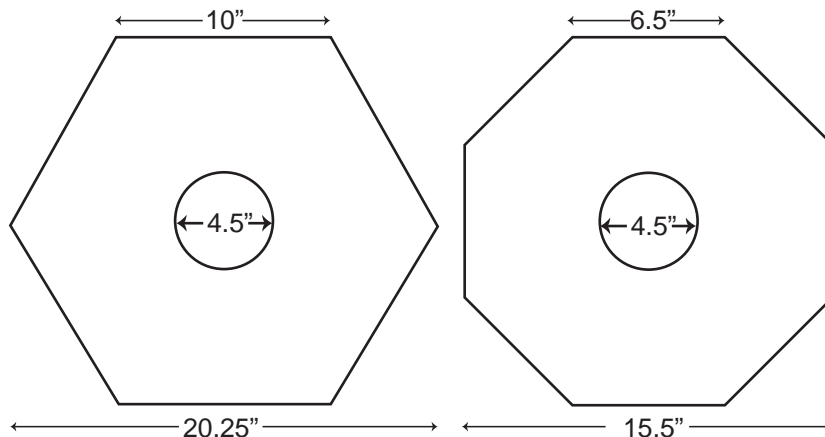
Composition	Polyethylene
Weight	
42" H	1.7 lbs.
28" H	1.1 lbs.
Color	Orange
Post Diameter	4"
Reflective Bands	Available in all grades in white and yellow, 3" and 4"

## Bases

Weights	8 lb. 10 lb. 12 lb. 18 lb.
---------	-------------------------------------

Black rubber bases are made from recycled materials.

## Base



Thickness of base varies with weight

**MADE IN THE USA**

**PLASTICADE®**

100 Howard Avenue  
Des Plaines, IL 60018  
phone (800) 772-0355  
fax (847) 966-8074  
[Plasticade.com](http://Plasticade.com)