

Manual Contents

Safety Instructions
Assembly
Operation
Maintenance
Parts
Warranty

Your New Hose Reel Cart

2	Congratulations on your purchase of a new Precision Products Inc. Hose Reel. Your cart has been engineered and built to give you the most dependable and best performing product possible.
4-5	
5	
5	
6-7	
8	If you experience any problem you can not easily resolve, please feel free to contact our knowledgeable and helpful customer service department toll-free at 1 (800) 225-5891 .

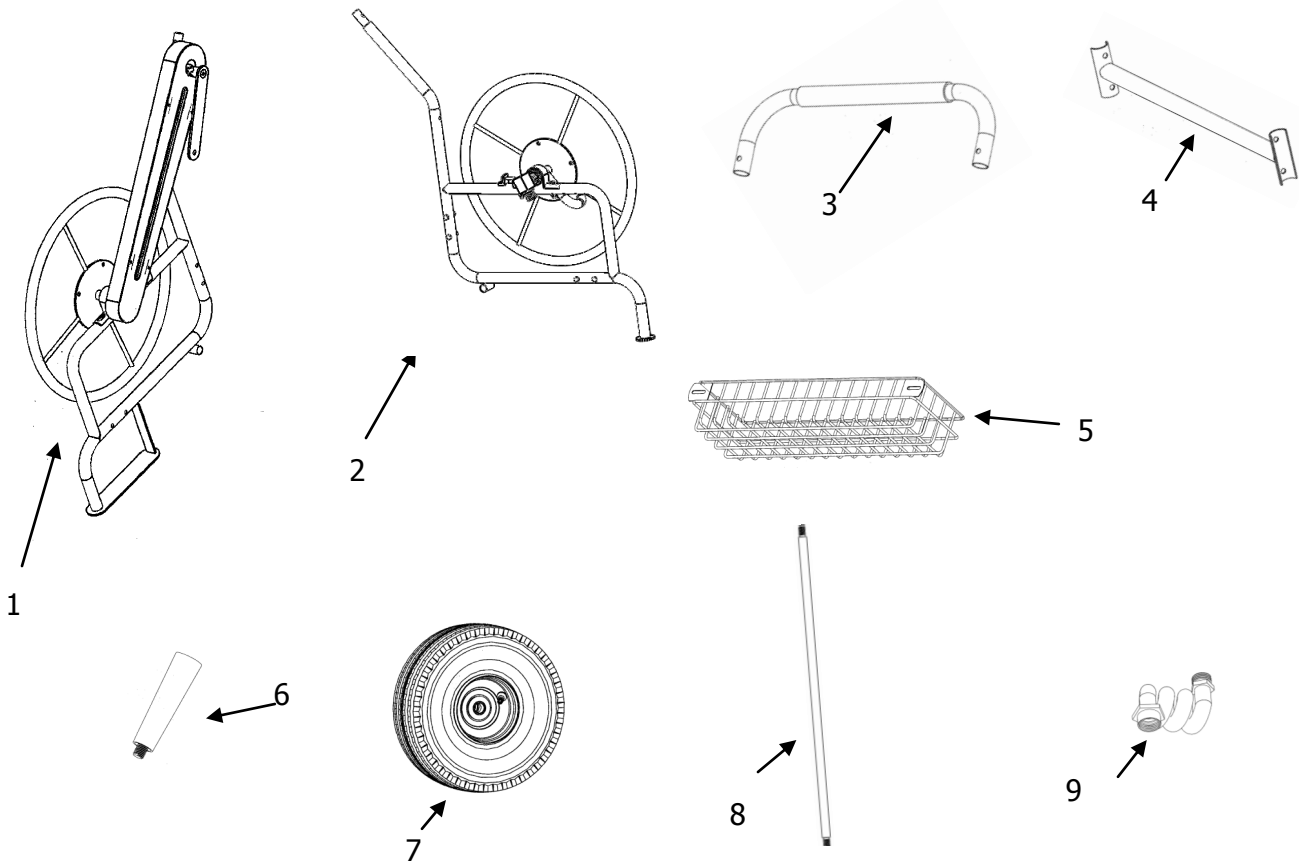


Rules for Safe Operation

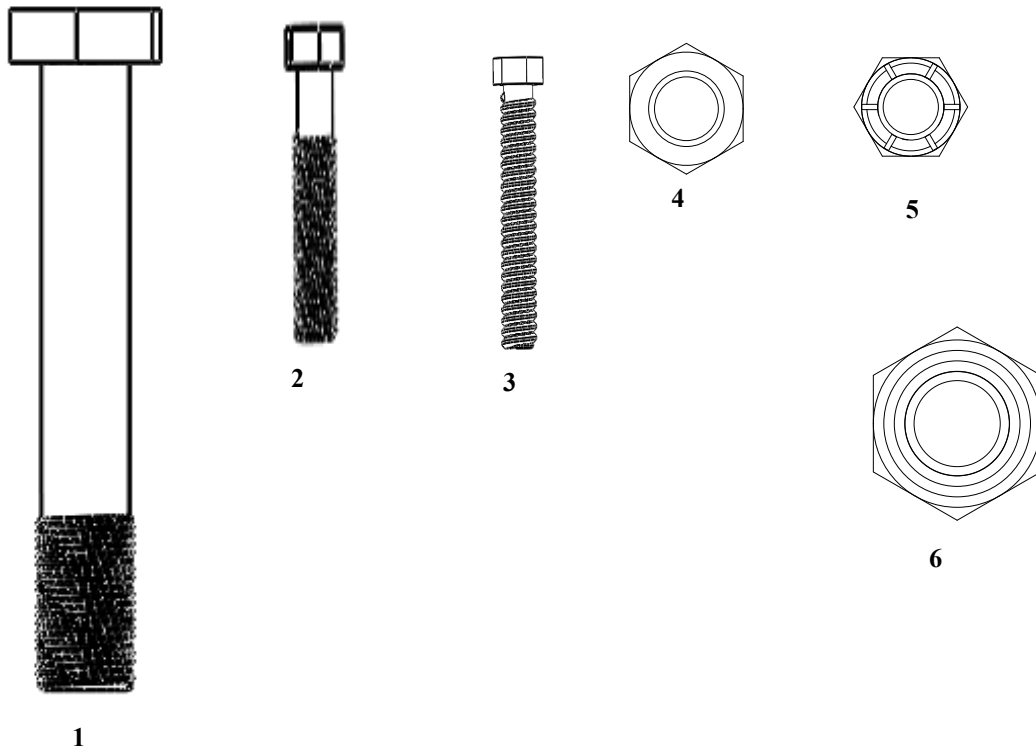
The following safety precautions are suggested. This Hose Reel Cart is designed, engineered and tested to offer reasonably safe and effective service, provided that it is operated in strict accordance with these instructions. Failure to do so may result in personal injury. Always observe the rules of safe operation. Please read and retain this manual.

- Be alert for holes in the terrain and other hazards.
- Follow maintenance and lubrication instructions as outlined in this manual.
- Always wear substantial footwear. Do not wear loose fitting clothing that may get caught in moving parts.

Carton Contents



Ref.	Description	QTY	Ref.	Description	QTY	Ref.	Description	QTY
1	Left Side Frame	1	5	Basket	1	9	Hose	1
2	Right Side Frame	1	6	Crank Handle	1			
3	Handle W/Grip	1	7	Wheel	2			
4	Support Bracket	2	8	Reel Rods	4			



Ref	QTY	Description
1	2	M12 x 95mm Hex Head Bolt
2	16	M8 x 35mm Hex Head Bolt
3	2	M6 x 30mm Hex Head Bolt
4	25	M8 Hex Nuts
5	2	M12 Nylock Nut
6	1	M8 Nylock Nut

Parts and Support

Please do not return this product to the store prior to contacting Precision

At Precision Products Inc., our goal is to deliver quality, value and outstanding service. If for any reason our product does not meet your expectations, please contact us and we will take care of any problem you may have with this unit.

When ordering replacement parts please have the model number, part description, part number, inspector number and date on carton available so that we can best serve you.

Precision Products Inc.

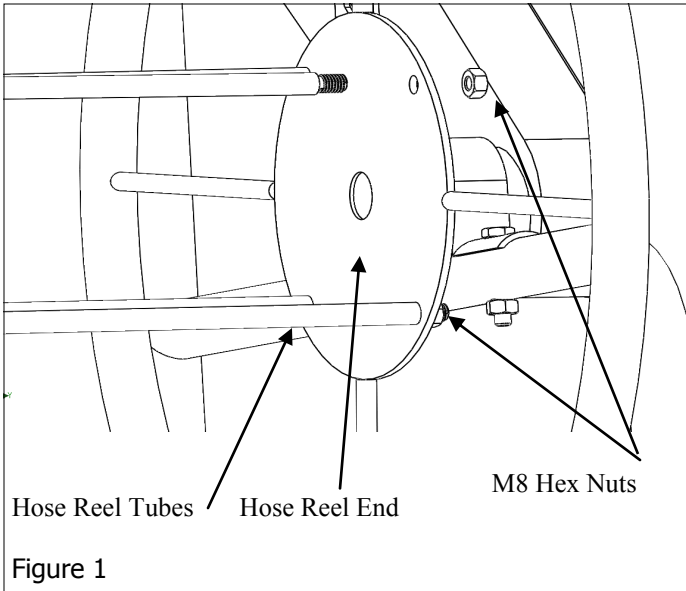
1 (800) 225-5891

Assembly Instructions

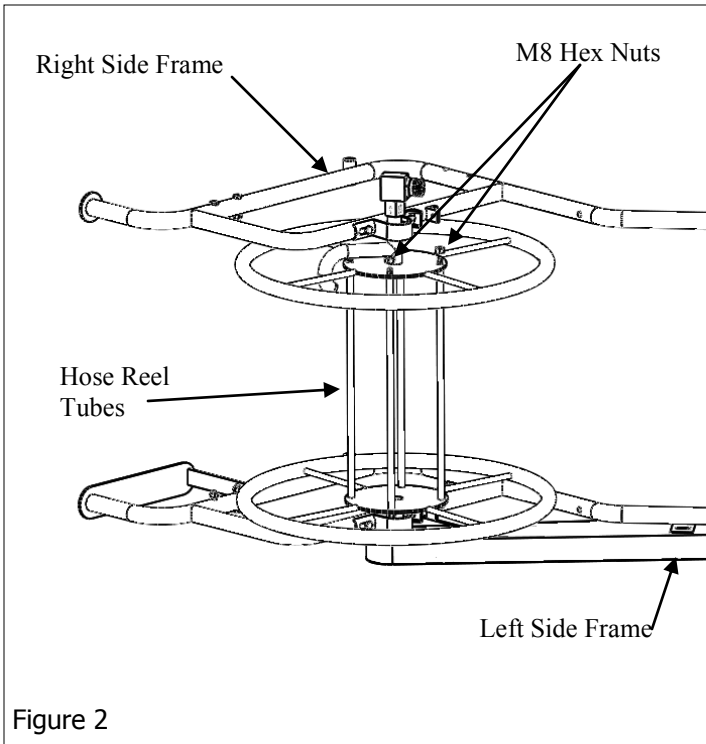
Tools Needed For Cart Assembly

- (1) Screwdriver
- (1) M10 Wrench or Adjustable Wrench

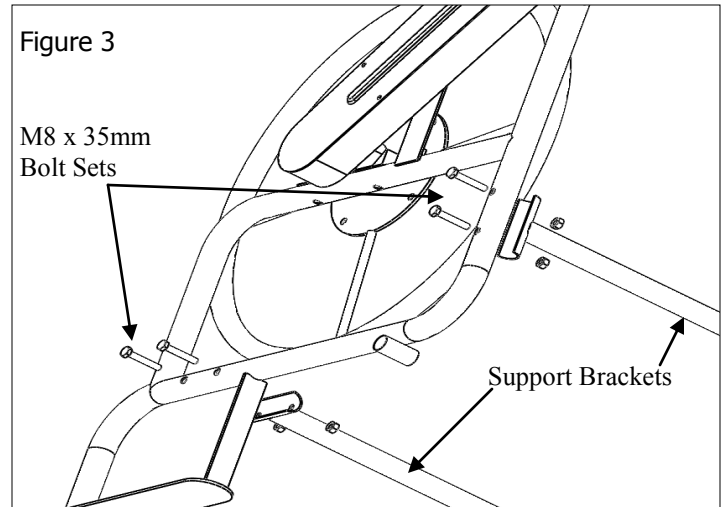
1. Attach four Hose Reel Tubes to Left side of the Hose Reel End with the Belt feature using four M8 Hex Nuts . See Figure 1



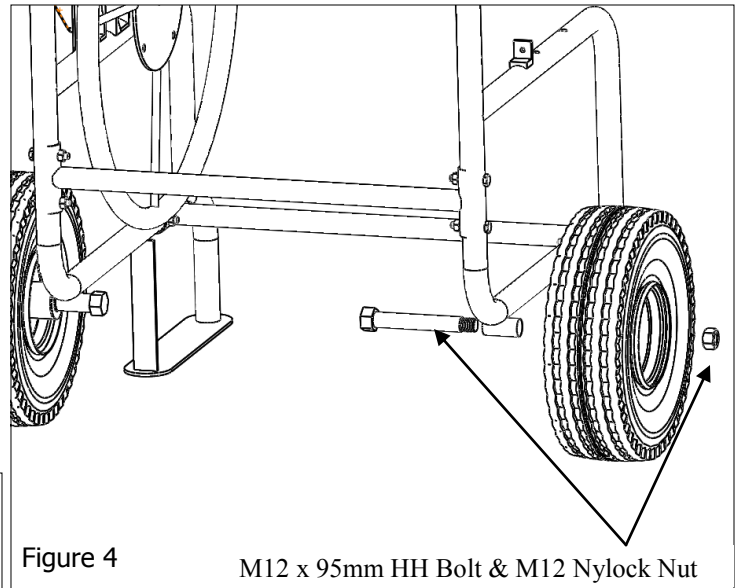
2. Attach Left Side Frame to Right Side Frame using four M8 Hex Nuts and tighten. See Figure 2



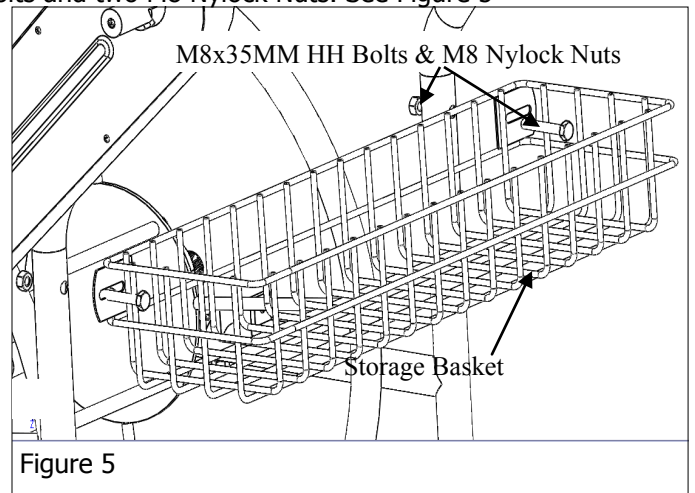
3. Attach Support Brackets to Left Side Frame using two M8 x 35mm bolt sets. Repeat for Right Side. See Figure 3.



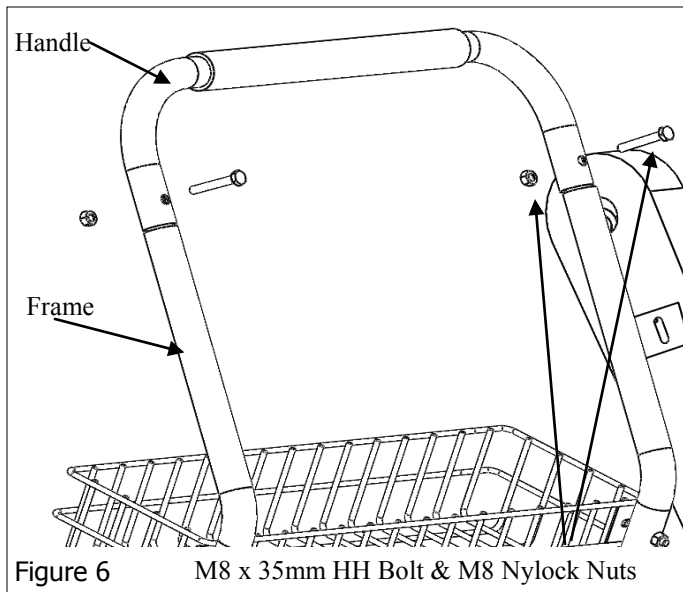
4. Attach Wheels to Frame using two M12 x 95mm and two M12 Nylock Nuts. . See Figure 4



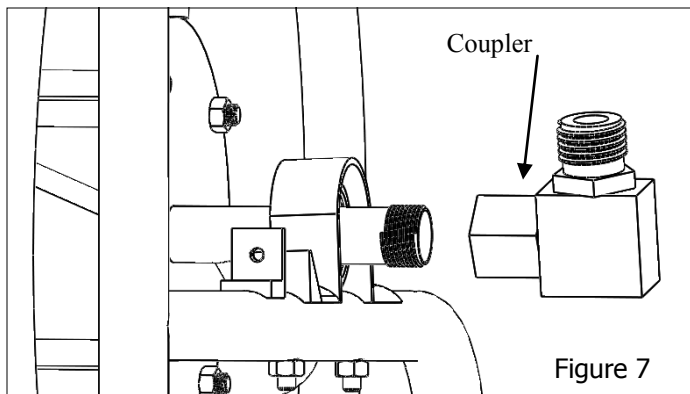
5. Attach Storage Basket to Frame using two M8 x32mm HH Bolts and two M8 Nylock Nuts. See Figure 5



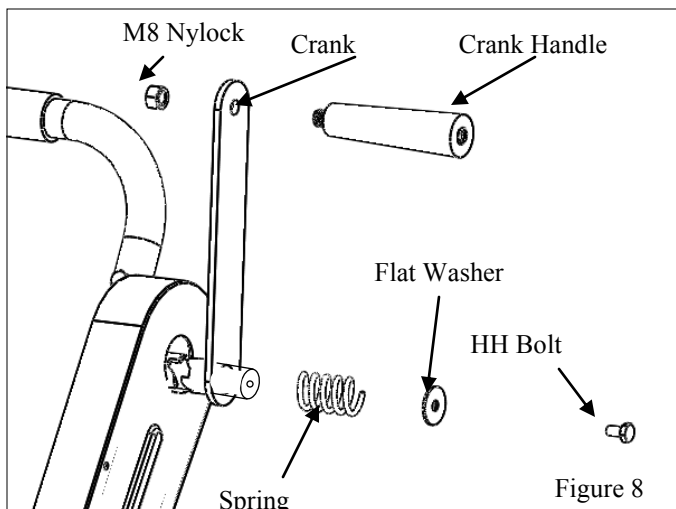
6. Attach Handle to Frame using two M8 x 35mm HH Bolts and two M8 Nylock Nuts.. See Figure 6



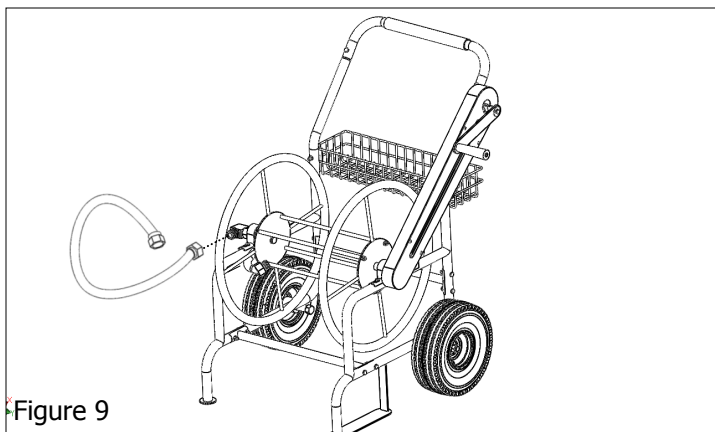
7. Attach Coupler to Right Side Hose Reel End. See Figure 7



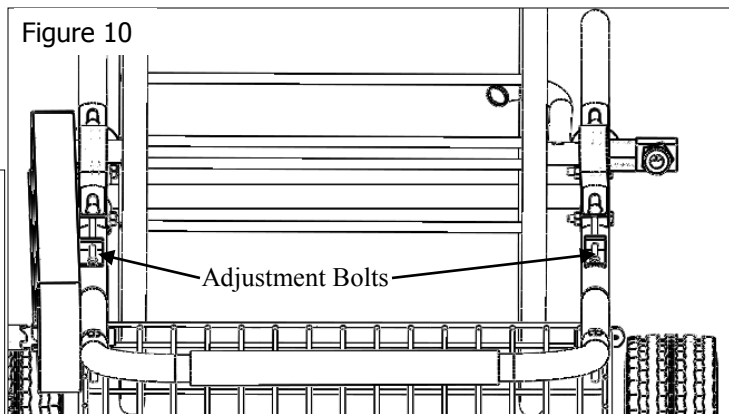
8. Attach Handle to Handle Crank using one M8 Nylock Nut. Attach Handle Crank using Hex Bolt Flat Washer and Spring. See Figure 8



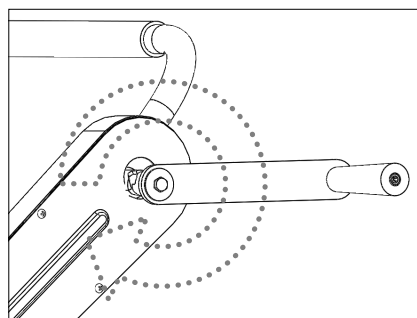
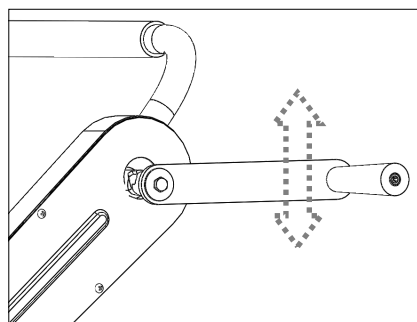
9. Attach Hose Lead as shown. See Figure 9

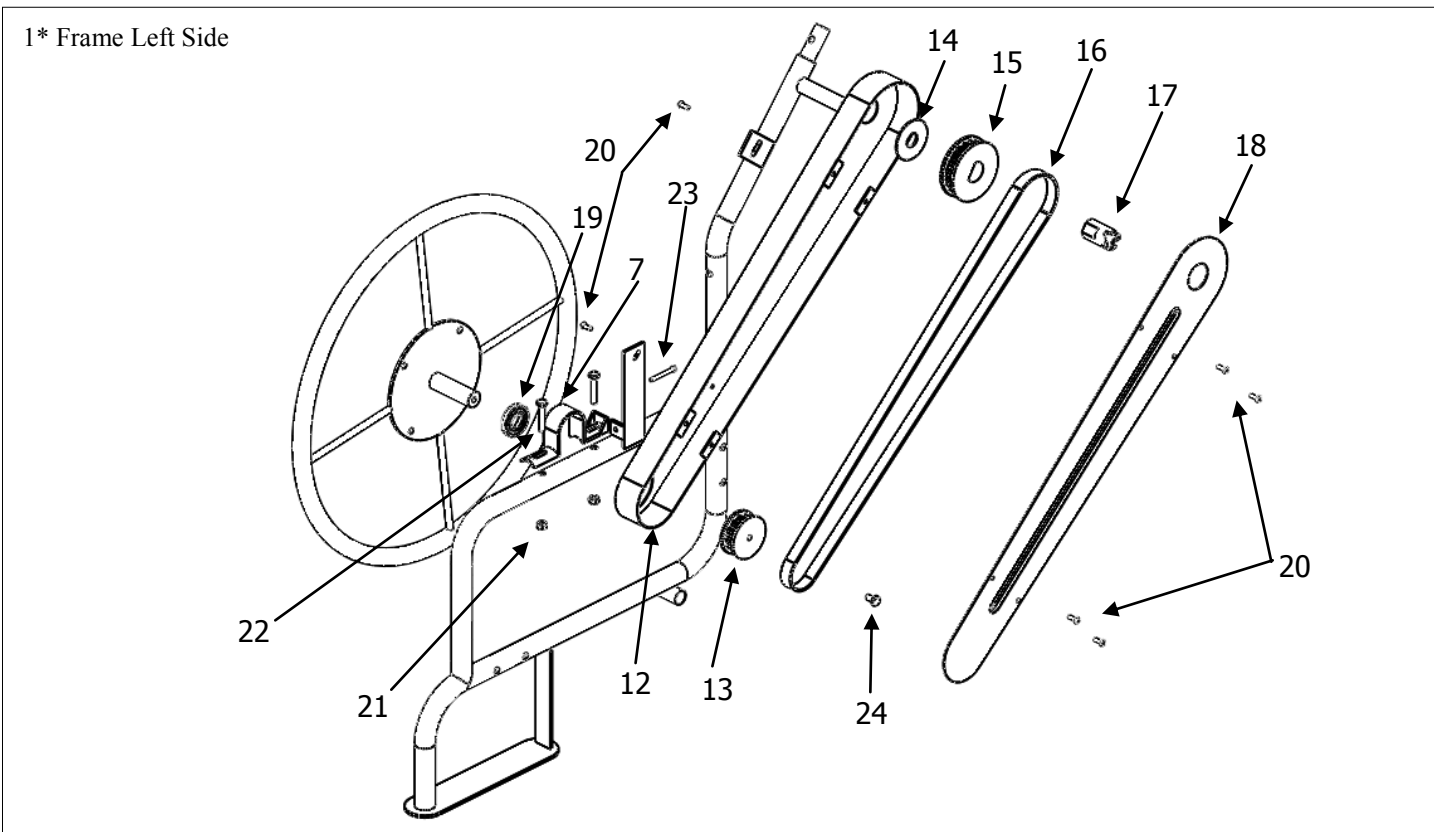
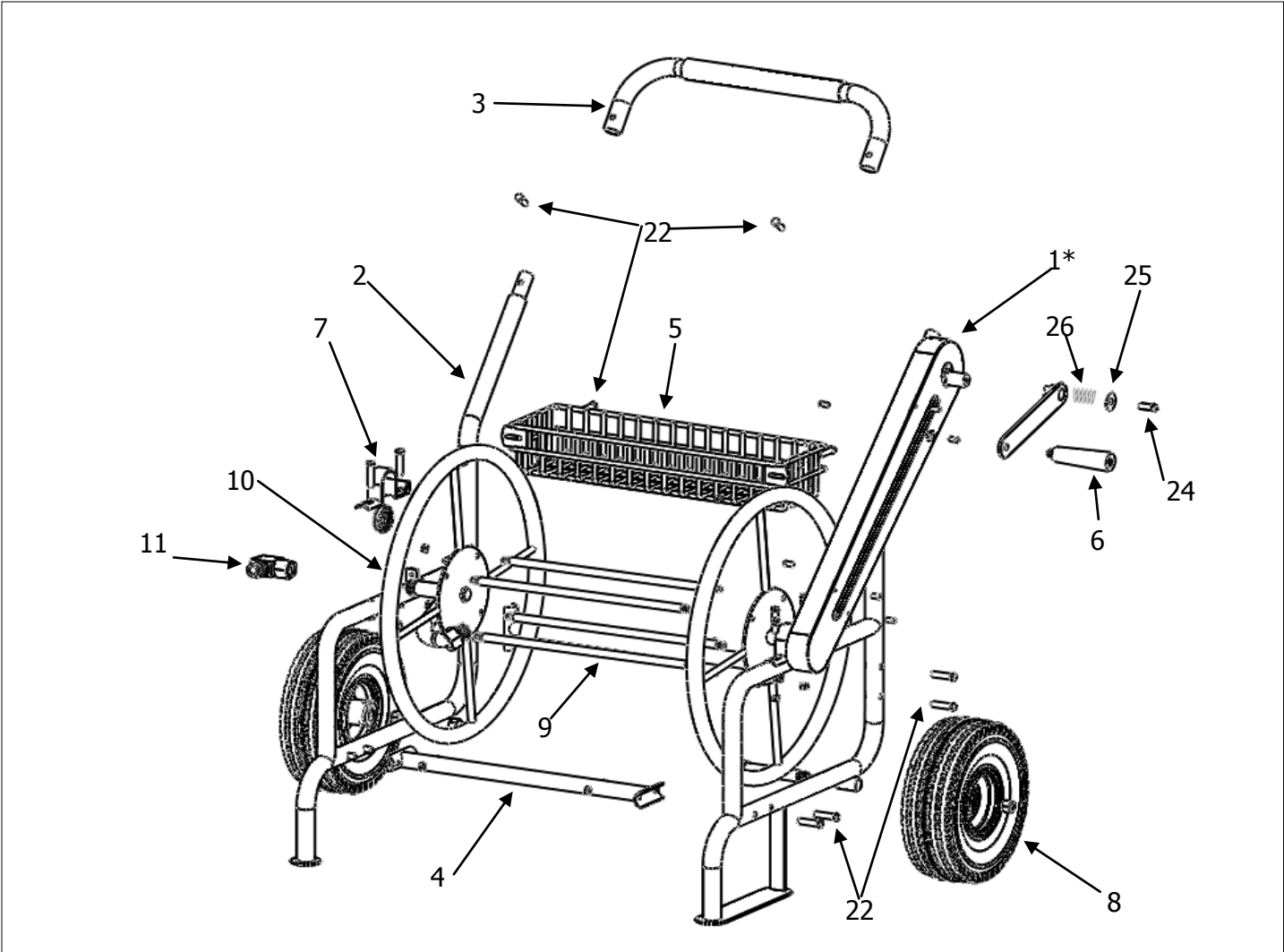


10. To tighten Belt adjust the hose reel using the adjustment bolts shown in figure 10. Make sure both sides are adjusted evenly. See Figure 10.



Operation





HC250

Ref.	QTY.	Description
1	1	Frame Left Side
2	1	Frame Right Side
3	1	Handle With Grip
4	2	Support Brackets
5	1	Basket
6	1	Crank Handle
7	2	Bushing Bracket
8	2	Wheels
9	4	Hose Reel Rods
10	1	Hose Reel End Right Side
11	1	Coupler
12	1	Belt Housing
13	1	Belt Pulley Small
14	1	Washer Flat
15	1	Belt Pulley Large
16	1	Belt
17	1	Crank Release
18	1	Belt Housing Cover
19	2	Bearing
20	6	Housing cover bolts
21	25	M8 Hex Nuts
22	16	M6 x 35mm HH Bolts
23	2	M6 x 30mm Adjustment Bolts
24	2	HH Bolt
25	1	Washer
26	1	Crank Spring
27	1	Hose Lead

Not All Parts Shown

The limited warranty set forth below is given by Precision Products, Inc. with respect to new merchandise purchased and used in the United States, its possessions and territories.

Precision Products, Inc. warrants the product(s) listed against defects in material and workmanship, and will at our option, repair or replace, free of charge, any part found to be defective in materials or workmanship. This limited warranty shall only apply if this product has been assembled, operated, and maintained in accordance with the owner's manual furnished with the product, and has not been subjected to misuse, abuse, neglect, accident, improper maintenance, alteration, vandalism, theft, fire, water, or damage because of other peril or natural disaster.

Normal wear parts or components thereof are subject to separate terms as follows: All normal wear parts or component failures will be covered on the product for a period of one year. Parts found to be defective within the warranty period will be replaced at our expense. Our obligation under this warranty is expressly limited to the replacement or repair, at our option, of parts found to be defective in material and workmanship.

Contacting Service

Warranty parts replacements are available, ONLY WITH PROOF OF PURCHASE, through our Customer Service Department. Call **1 (800) 225-5891**

This limited warranty does not provide coverage in the following cases:

1. Routine maintenance items such as lubricants and filters.
2. Normal deterioration of the exterior finish due to use or exposure.
3. Transportation and/or labor charges.

No implied warranty, including any implied warranty of merchantability of fitness for a particular purpose, applies after the applicable period of expressed written warranty above as to the part as identified below. No other expressed warranty whether written or oral, except as mentioned above, given by any person or entity, including a dealer or retailer, with respect to any product, shall bind Precision Products, Inc. During the period of the warranty, the exclusive remedy is repair or replacement of the product as set forth above.

The provisions as set forth in this warranty provide the sole and exclusive remedy arising from the sale.

Precision Products Inc. Will not be liable for incidental or consequential loss or damage including, without limitation, expenses incurred for substitute or replacement lawn care services, or for rental expenses to temporarily replace a warranted product.

Some states do not allow the exclusion of limitation of incidental or consequential damages, or limitations on how long an implied warranty lasts, so the above exclusions or limitations may not apply to you.

During the warranty period, the exclusive remedy is replacement of the part. In no event shall recovery of any kind be greater than the amount of the purchase price the product sold. Alteration of safety features of the product shall void this warranty. You assume the risk and liability for loss, damage, or injury to you and your property and/or to others and their property arising from the misuse or inability to use this product.

This limited warranty shall not extend to anyone other than the original purchaser or to the person for whom it was purchased as a gift.

Local Law to this Warranty

This limited warranty gives you specific legal rights, and you may also have other rights which vary from state to state.

Warranty Period

The Warranty period stated below begins with the **Proof of Purchase**. Without the proof of purchase, the Warranty period begins from the date of manufacture.

Hose Reel Cart Warranty Period

The warranty period for this unit is as follows: All parts are covered one year from the date of sale.