

## **SP5A** 60in. Snow Blade with Mounting Bracket



**READ AND FOLLOW ALL SAFETY RULES AND OPERATING  
INSTRUCTIONS BEFORE USING THIS EQUIPMENT**

# ***Safety Rules***



**This is the safety alert symbol. It is used to alert you to potential personal injury hazards. Obey all safety messages that follow this symbol to avoid possible injury or death.**

**Read entire owners manual and all Warning Labels before use of this product.**

Operate mower at a walking speed with blade installed. Do NOT exceed 5mph even with blade up.

Do NOT operate Snow Blade on slopes greater than 10°.

Mower traction on snow and ice may vary, use caution.

Never leave mower running while adjusting Snow Blade.

Never put body parts under Snow Blade while raised.

Clear plowing area of all objects and note locations of potential hazards

Snow Blade may tilt forward when hitting an object or uneven pavement. Back up slowly, Snow Blade may throw debris back toward operator.

Use caution when plowing large amounts of snow. It is a good practice to plow multiple times during large snow falls.

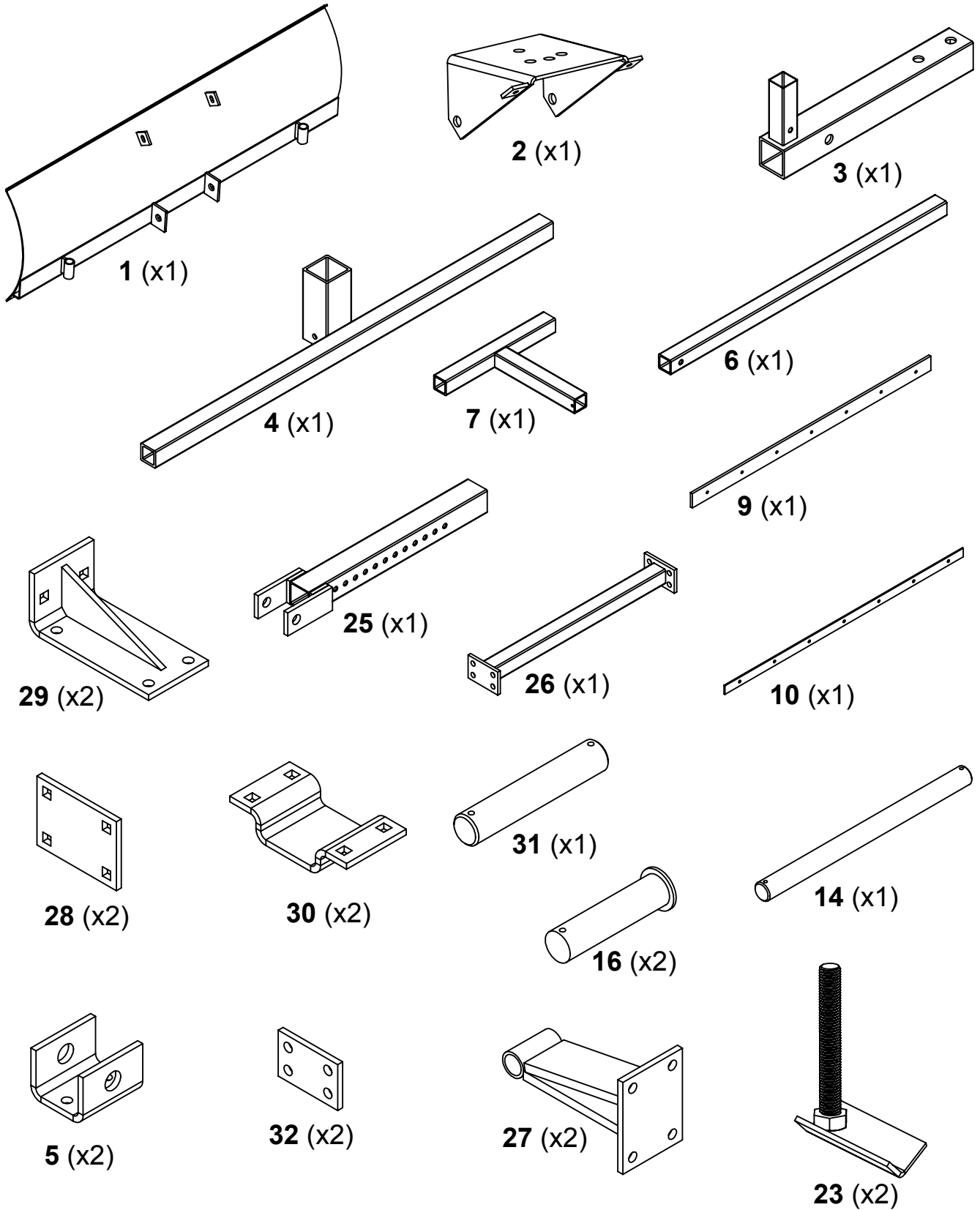
Do not drive into snow piles at high speeds.

Check all fasteners for tightness before operating Snow Blade.

Do NOT stand or ride on the plow or allow others to do so.

Stay clear of moving parts and joints. Keep others away and maintain a safe operating envelope when plowing or adjusting Snow Blade.

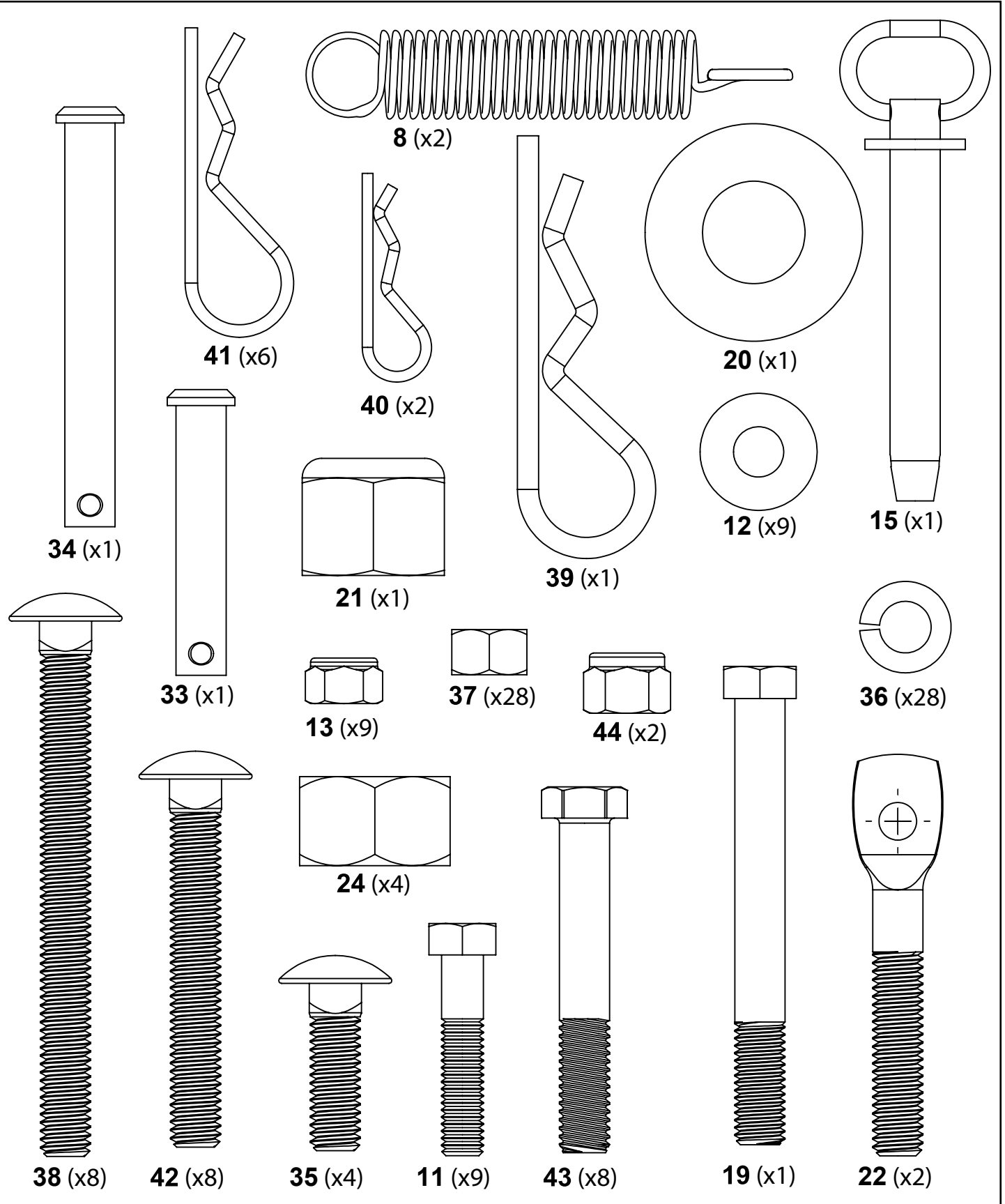
# Carton Contents



## TOOLS REQUIRED FOR ASSEMBLY:

- 9/16" Wrench and Socket
- 2 x Adjustable Wrenchs Capable of 1-7/8 in. span

# Carton Contents

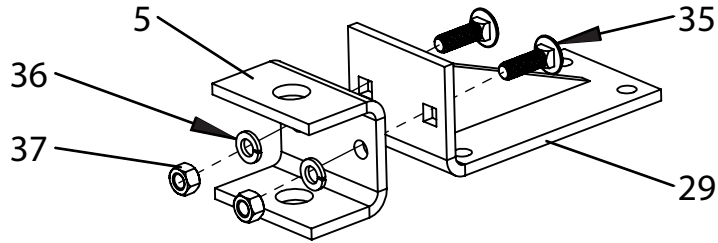


**TOOLS REQUIRED FOR ASSEMBLY:**

- 9/16" Wrench and Socket
- 2 x Adjustable Wrenchs Capable of 1-7/8 in. span

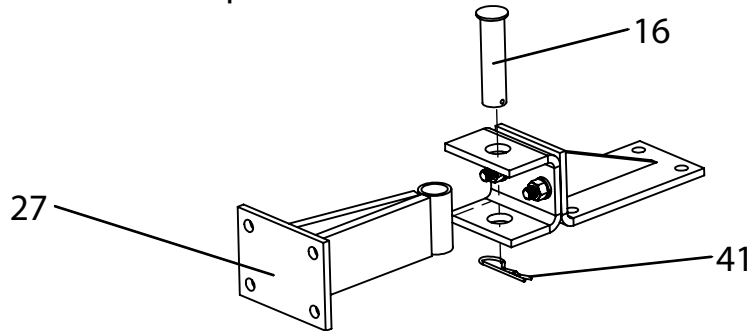
# Assembly Instructions

- 1** Attach bolt-on swivel brackets to L-bracket assemblies with 3/8-16 x 1-1/4" carriage bolts, 3/8" lockwashers and 3/8-16 hex nuts.



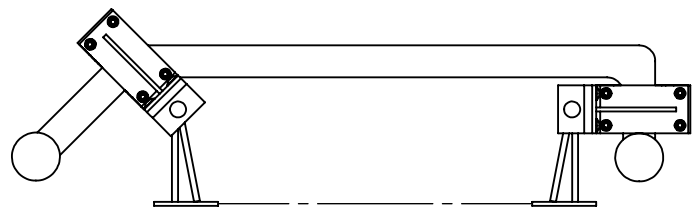
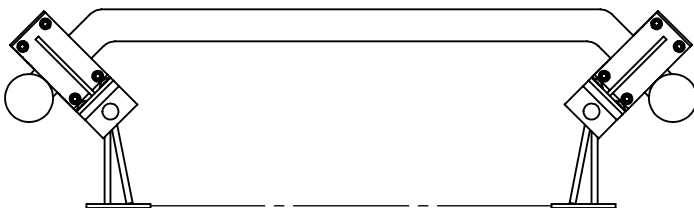
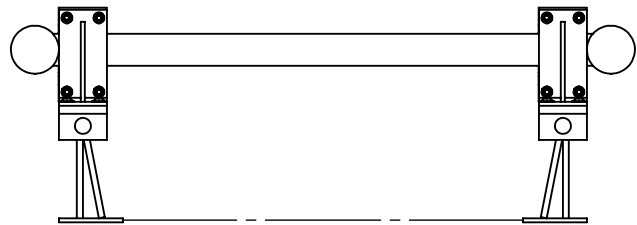
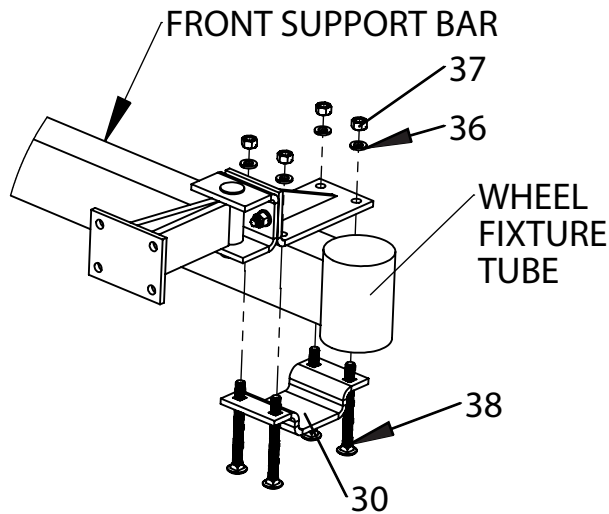
NOTE: TWO ASSEMBLIES REQUIRED

- 2** Attach support bracket assemblies to previous assemblies with connector pins and secure with hairpin cotters.



NOTE: TWO ASSEMBLIES REQUIRED

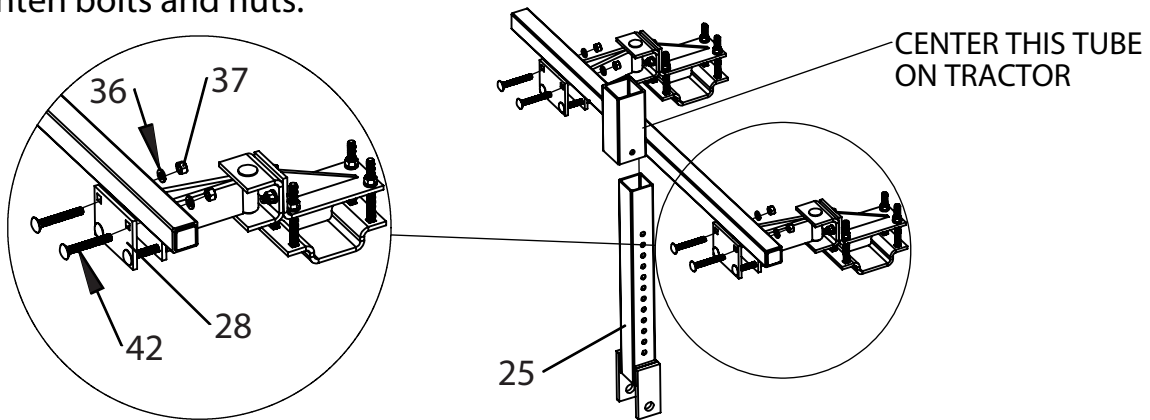
- 3** Attach previous assembly and bent mounting plate to tractor wheel fixture bar using 3/8-16 x 4" carriage bolts, 3/8" lockwashers and 3/8-16 hex nuts. See diagrams below for each style of tractor wheel assembly combinations.



# Assembly Instructions

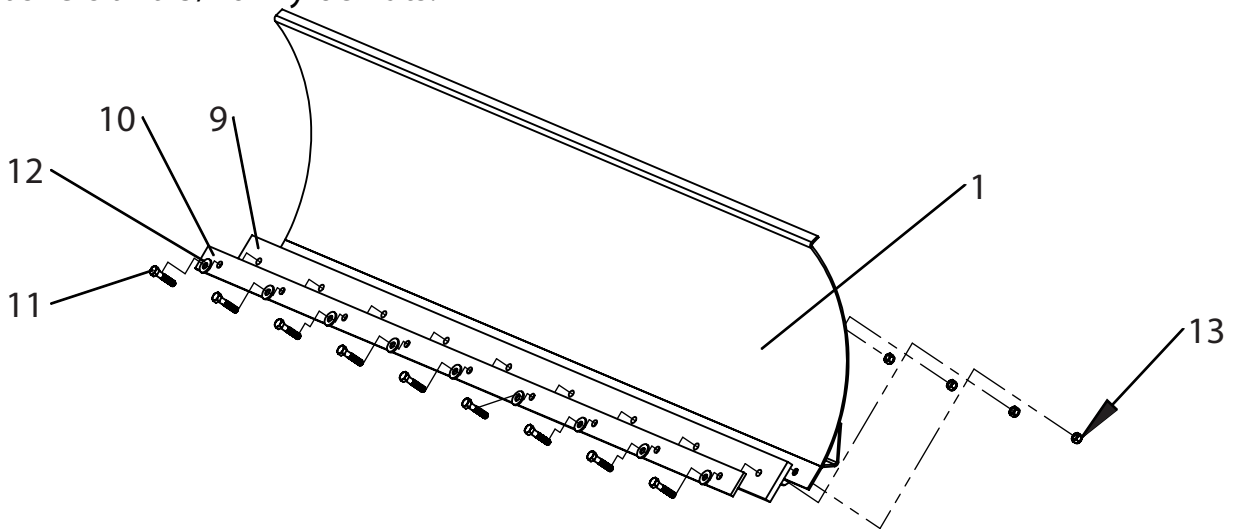
**4**

Install mounting bracket plate with 3/8-16 x 2-3/4" carriage bolts, 3/8" lockwashers and 3/8-16 hex nuts. Loosely attach bottom bolts first and slide horizontal mounting bar from above. Center the horizontal tube on the mower and slide vertical adjustment tube into tube from below. Add top row of bolts and tighten bolts and nuts.



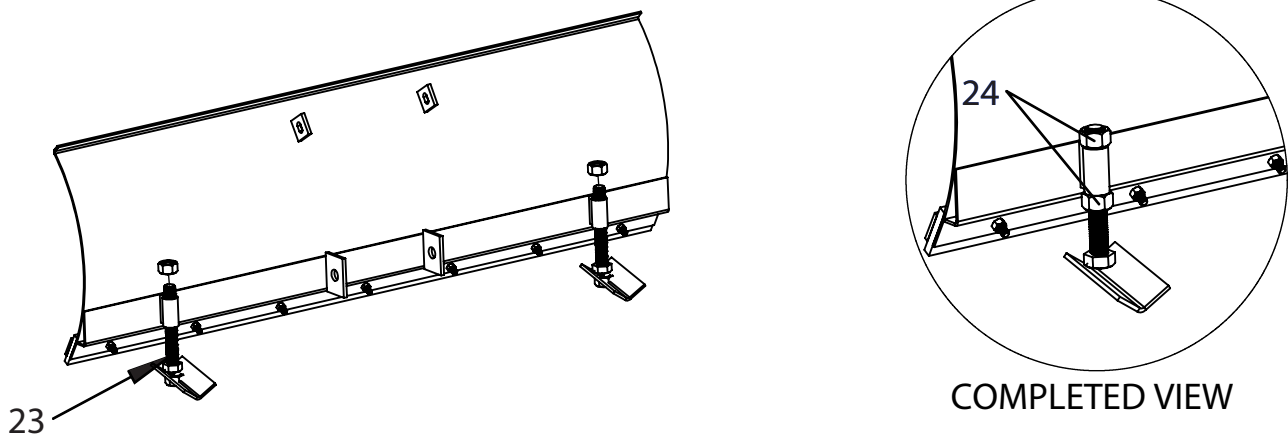
**5**

Install wear strip and bolt on steel edge with 5/16-18 x 1-1/2" bolts, 5/16" washers and 5/16" nyloc nuts.



**6**

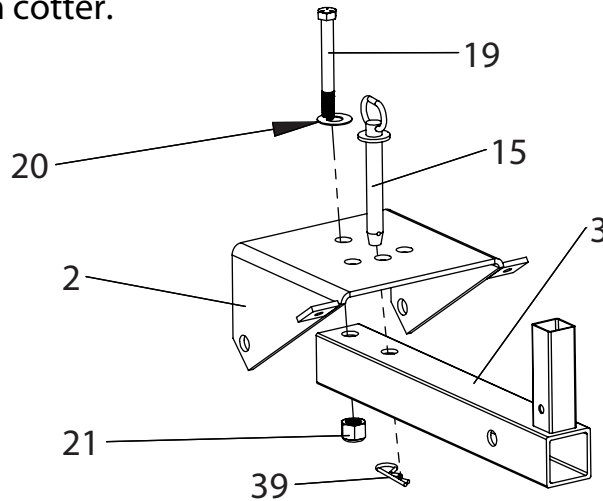
Install Skid Shoe assembly with 3/4-10 hex nuts. Tighten nuts into tube to set the desired height of blade off the ground.



# Assembly Instructions

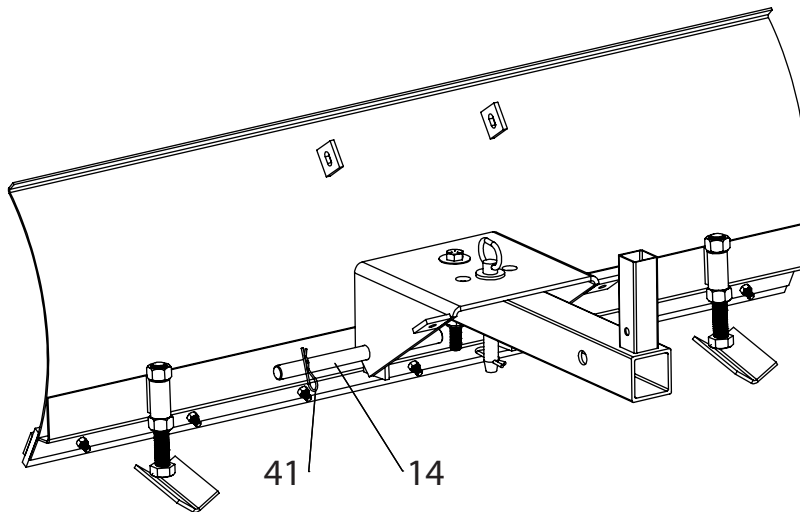
**7**

Attach lower frame weldment to pivot plate with 3/4-10 x 4" bolt, 3/4" washer and 3/4-10 nyloc nut. Insert handle pivot pin through center hole and secure with hairpin cotter.



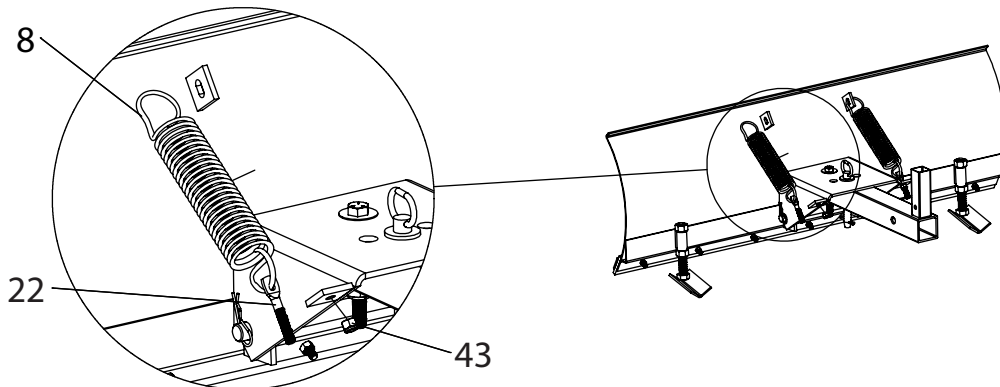
**8**

Slide blade pivot rod through lower holes in pivot plate and brackets on the snowblade. Secure on both sides with hairpin cotters.



**9**

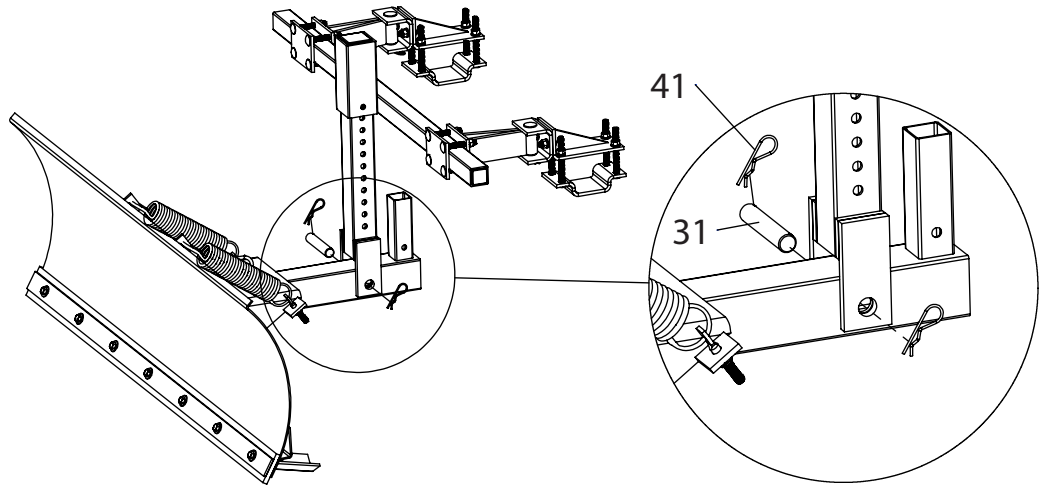
Slide hanger bolt through bottom hook of spring. Attach top hook of spring to top bracket on the snowplow. Insert hanger bolt through tab on the pivot plate and tighten 3/8-16 nyloc until spring begins to expand.



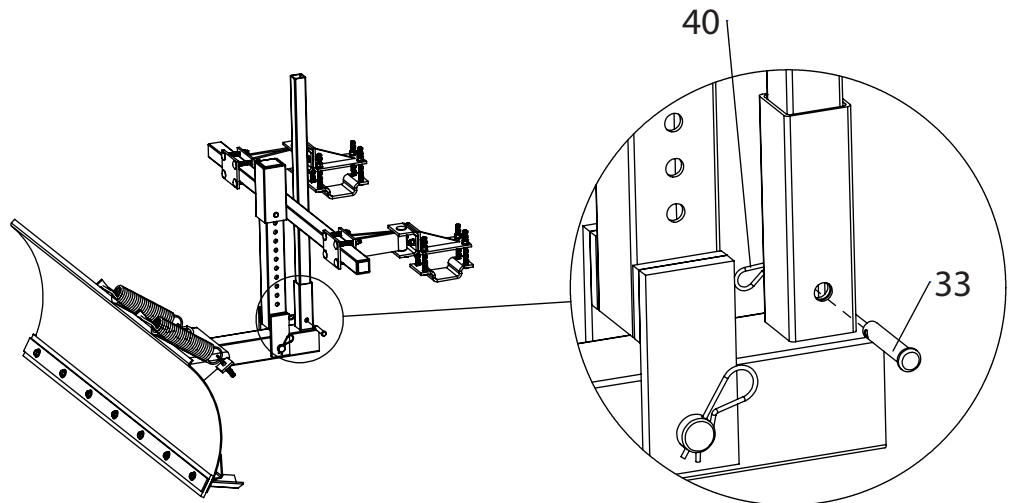
NOTE: ONLY TIGHTEN NUTS UNTIL SPRING COILS BEGIN TO SEPERATE.

# Assembly Instructions

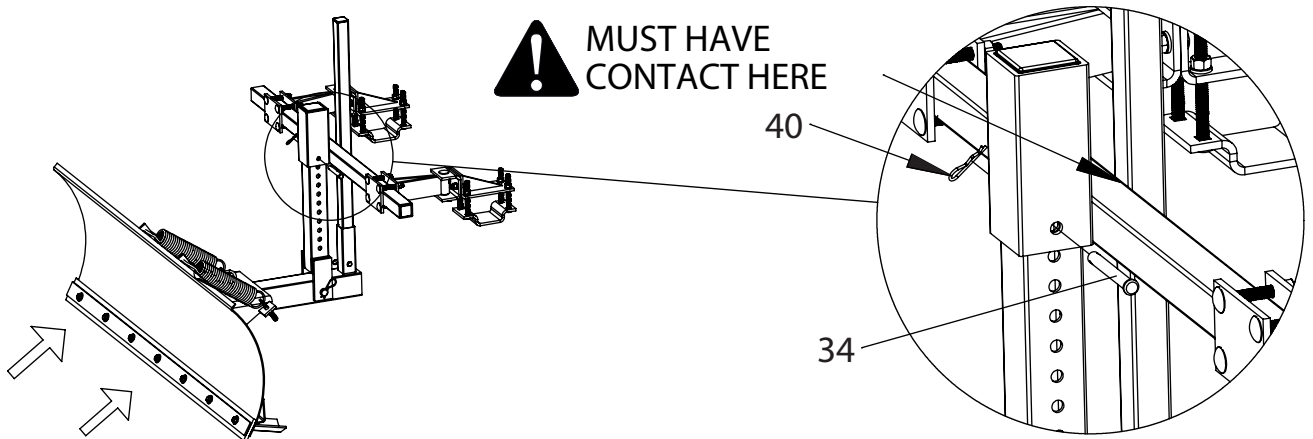
- 10** Attach vertical rotation assembly to lower frame weldment with main pivot rod and secure with hairpin cotter on each side



- 11** Attach foot lift tube to lower frame assembly with 3/8" x 1-1/4" pin and secure with hairpin cotter.

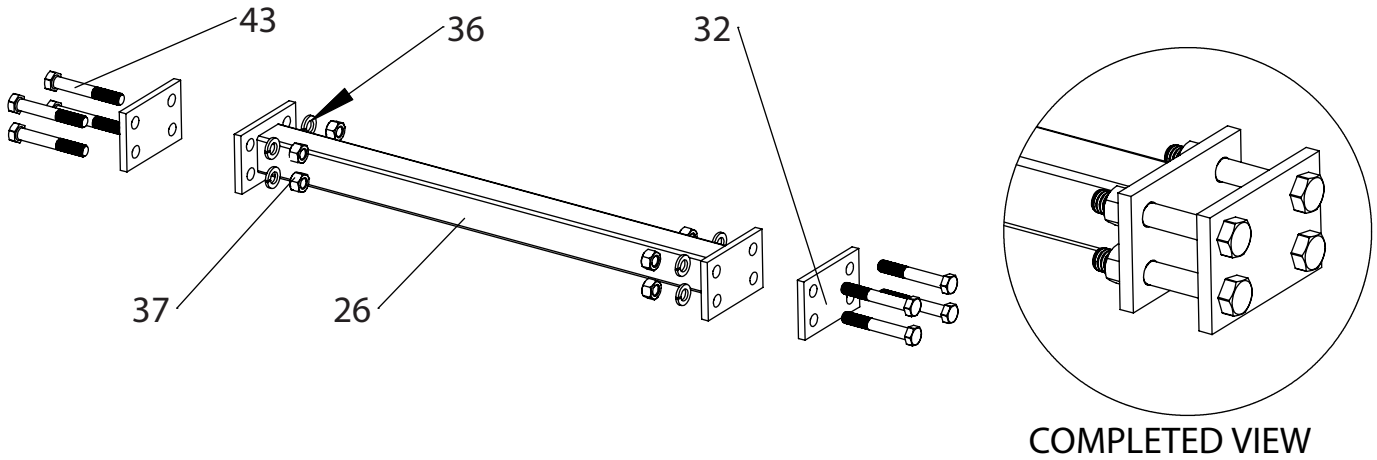


- 12** Push Snow Blade towards tractor until there is contact between the foot lift tube and horizontal mounting bar. Once in position, insert 3/8" x 2-3/4" pin through horizontal mounting assembly and vertical rotation assembly. Secure with hairpin cotter.

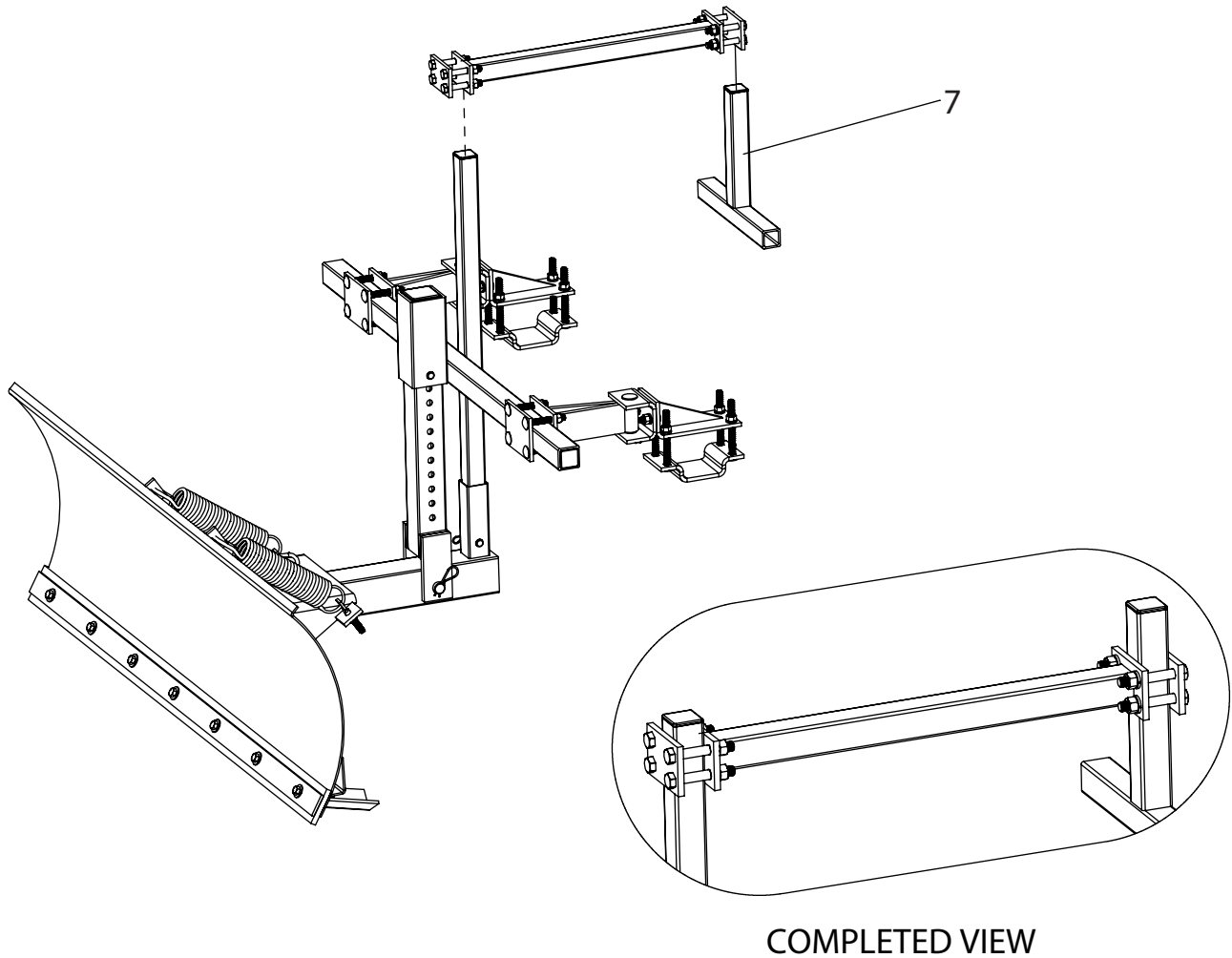


# Assembly Instructions

- 13** Attach foot lift assembly to lock plates using 3/8-16 x 2-1/2 bolts, 3/8" lock washers and 3/8" hex nuts. Loosely attach bolts and lock plates.



- 14** Slide previous assembly over foot lift tube and tighten bolts. Insert foot pedal assembly into clamping bracket and tighten bolts. Adjust each clamping feature so the blade can be raised to the desired height.



# ***Operating Instructions***

## **Before Using Snow Blade:**

1. Read all Safety Rules found on page 1.

## **Before Plowing:**

- Prepare zero turn mower engine for cold weather per manufacturer's instructions.
- Acclimate blade to outdoor temperature prior to use to reduce ice buildup.

## **How to use Snow Blade:**

1. Start plowing at slow speed and gradually increase as needed.
2. Push snow with blade resting on Skid Shoes.
3. When at the end of a pass, push down on foot bar to raise blade and maneuver to new starting point.
4. To adjust angle of Snow Blade, turn mower off and pull cotter from pivot plate. Adjust to desired angle and reinsert to lock angle.
5. To adjust height of Skid Shoes, loosen 3/4in. hex nuts and move to desired height and re-tighten hex nuts.

## **Storing snowblade between use:**

1. Knock off all snow and debris from Snow Blade.
2. Thoroughly dry all surfaces with towel or shop rag.
3. Store in dry conditions to prevent rust.

# Warranty

If this product fails due to a defect in material or workmanship within ONE YEAR from the date of purchase, we will at our option repair or replace it free of charge. This warranty excludes the wear strip which is expendable and becomes worn during normal use.

This warranty does not cover:

- Repairs necessary because of operator abuse or negligence.
- Equipment used for commercial or rental purposes.
- Paint that is worn or faded due to normal use or exposure.

To arrange for product repair call 1-800-652-2321, or return this product to place of purchase for replacement.

This warranty gives you specific legal rights, and you may also have other rights which may vary from state to state. This warranty applies only while this product is in use in the United States.

In the space below record the purchase date of your Snow Blade.

Model Number SP5A

Purchase Date \_\_\_\_\_

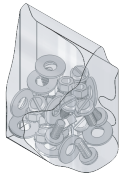
Keep this Owner's Manual and your receipt in a safe place for future reference.

After the one year warranty period all replacement parts may be ordered by calling *1-800-652-2321* .

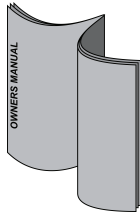
When ordering replacement parts, always give the following information:

- Product **60" SNOW BLADE WITH MOUNTING BRACKET**
- Model Number SP5A
- Part Number \_\_\_\_\_
- Part Description \_\_\_\_\_

# Repair Parts



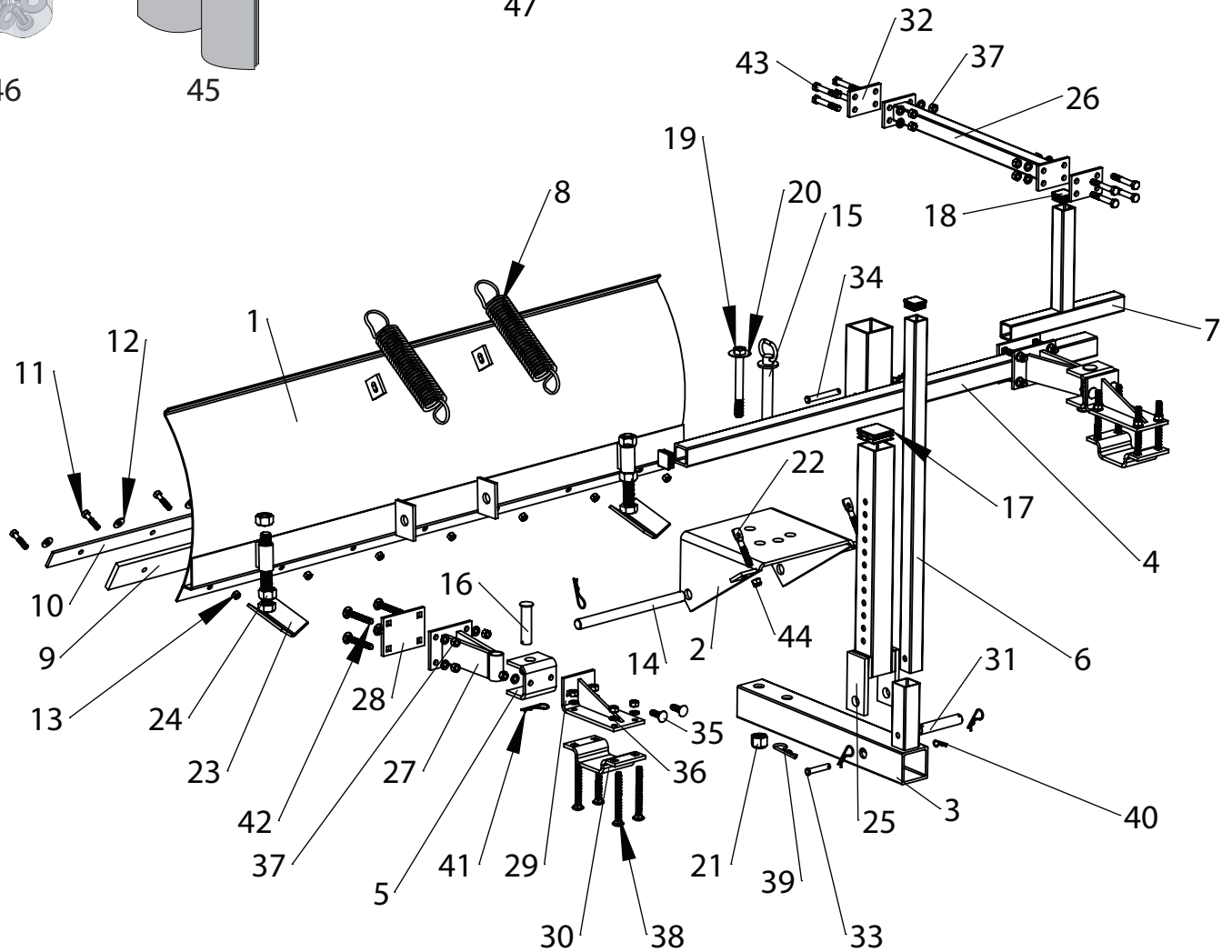
46



45



47



ITEM	PART NO.	DESCRIPTION	QTY.	ITEM	PART NO.	DESCRIPTION	QTY.
1	6003595	SNOW BLADE WELDMENT	1	25	6003388	VERTICAL ROTATION ASSY	1
2	6003372	PIVOT PLATE WELDMENT	1	26	6003390	FOOT LIFT ASSY	1
3	6003370	LOWER FRAME WELDMENT	1	27	6003394	SUPPORT BRACKET ASSY	2
4	6003374	HORIZONTAL MOUNTING BAR	1	28	6003395	MOUNTING BRACKET PLATE	2
5	6003375	SWIVEL BRACKET	2	29	6003398	L-BRACKET ASSY	2
6	6003339	FOOT LIFT TUBE	1	30	6003399	MOUNTING PLATE BENT	2
7	6003376	FOOT PEDAL ASSY	1	31	6003484	UNIVERSAL PIVOT AXLE	1
8	6003400	EXTENSION SPRING	2	32	6003389	LOCK PLATE	2
9	6003598	WEAR STRIP, POLY	1	33	6003363	3/8" PIN X 1-1/4"	1
10	6003597	EDGE STRIP, STEEL	1	34	6003364	3/8" PIN X 2-3/4"	1
11	6000562	HEX BOLT, 5/16-18 X 1-1/2"	9	35	6003326	3/8-16 x 1-1/4 CARRIAGE BOLT	4
12	3000711	5/16" USS WASHER	9	36	300078	3/8" LOCKWASHER	28
13	3000616	5/16-18 NYLOC NUT	9	37	300069	3/8-16 HEX NUT	28
14	6003377	BLADE PIVOT ROD	1	38	6003327	3/8-16 X 4" CARRIAGE BOLT	8
15	6003378	HANDLE PIVOT PIN	1	39	6001311	COTTER PIN	1
16	6003379	CONNECTOR PIN	2	40	6000372	HAIRPIN COTTER	2
17	6001012	2" SQ TUBE PLUG	1	41	300084	HAIRPIN COTTER	6
18	6003380	1-1/4" SQ TUBE PLUG	4	42	6003366	3/8-16 x 2-3/4 CARRIAGE BOLT	8
19	6003381	3/4-10 x 4" HEX BOLT	1	43	6001284	3/8-16 x 2-1/2 HEX BOLT	8
20	300072	3/4" WASHER	1	44	3000618	3/8-16 NYLOC NUT	2
21	6002927	3/4-10 NYLOC NUT	1	45	6003402	BOLT BAG	1
22	6003403	3/8-16 X 3" HANGER BOLT	2	46	6003602	OWNERS MANUAL	1
23	6003383	SKID SHOE ASSY	2	47	3000111	OSI DECAL	1
24	3000617	3/4-10 HEX NUT	4	48	6003609	WARNING DECAL	1

**OHIO**STEEL  
INDUSTRIES

Designed And Tested In Columbus, Ohio

Assembled in U.S.A of Domestic  
And Imported Components



**MODEL # SP5A**

2575 Ferris Road Columbus, OH 43224  
(800) 652-2321

***www.OHIOSTEEL.com***  
**(800) 652-2321**