



Operating Instructions & Parts Manual

Safeguard® Truck Ramps



Model No.	Capacity	Product Size	Gross Weight/ Pc.
69200	20 Ton	45-5/8" x 13-1/2" x 9-1/2"	136.6 Lbs.
69201	20 Ton	45-5/8" x 18-1/4" x 9-1/2"	174 Lbs.

SAFETY & WARNING INFORMATION



This is the safety notification symbol. This symbol will notify you of any potential injury hazards. Please follow all instructions that follow this symbol to avoid possible injuries or death.

⚠️ WARNING

Indicates a hazardous situation. If proper steps are not followed, death or serious injury could result.

IMPORTANT: READ ALL INSTRUCTIONS BEFORE USE

Before using these truck ramps, be sure to read all content within this manual, ensuring that you understand the operating procedures, maintenance requirements and all safety warnings.

The owner and/or operator shall have an understanding of the product, its operating characteristics, and safety operating instructions before operating this device. Safety information shall be emphasized and understood. If the operator is not fluent in English, the product and safety instructions shall be read to and discussed with the operator in the operator's native language by the purchaser/owner or his designee, making sure that the operator comprehends their contents.

▲ WARNING **Actions to help prevent dangerous situations**

- Study, understand and follow all instructions before operating this device.
- Use as a matched pair only.
- Maximum load capacity per matched pair shall not exceed the rated capacity of the individual ramp.
- Use only on hard, level surfaces.
- Lift only on areas of the vehicle as specified by the vehicle manufacturer.
- No alterations shall be made to this product.
- Use ramps to support one end of a vehicle only.
- Center load on the ramp.
- Never use truck ramps to support both ends or one side of a vehicle.
- Failure to heed these warnings may result in serious personal injury / property damage.

Inspection

- This device shall be inspected immediately if the device is believed to have been subjected to an abnormal load or shock. It is recommended that this inspection be made by a manufacturer's or supplier's authorized repair facility.
- Owners and/or operators should be aware that repair of this equipment may require specialized knowledge and facilities. It is recommended that an annual inspection of the product be made by a manufacturer's or supplier's authorized repair facility and that any defective parts, decals, or safety labels or signs be replaced with manufacturer's or supplier's specified parts.

Damaged Equipment and add-ons

Any truck ramp that appears to be damaged, is found to be worn or operates abnormally in any way will be **removed from service and destroyed immediately.**

Alterations

Because of potential hazards associated with this type of equipment, no alterations shall be made to the product.

Attachments and Adapters

Only attachments and/or adapters supplied by the manufacturer shall be used.

Setup

- Prior to each use, visual inspection (See Pg.2) shall be made to the device by checking for abnormal conditions, such as cracked welds, damaged, loose or missing parts.

- Be sure to set the vehicle in park with the emergency brake on and wheels securely chocked.
- Be sure that the vehicle and the truck ramps are on a hard, level surface.

Assembly

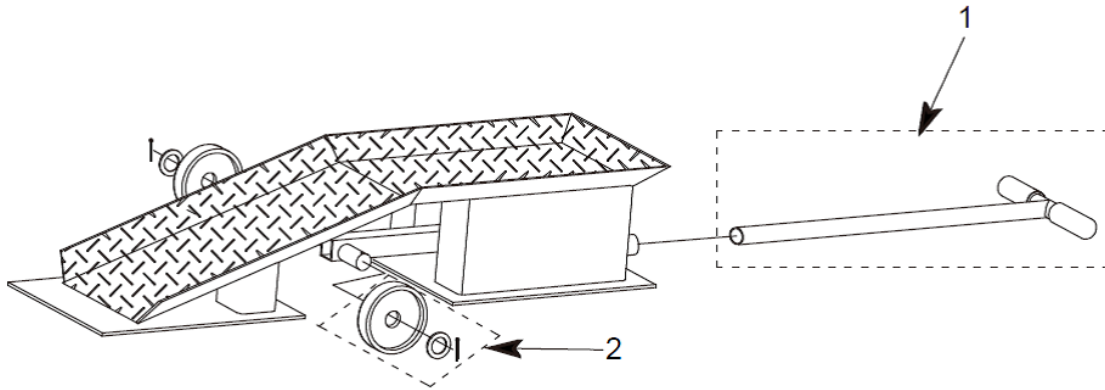
This product comes assembled in the box and should be ready for use.

Operation

- Align the truck ramps in the center of the tires you wish to support.
- Ensure that the ramps are directly in front of the desired tires to be lifted.
- After steps one and two have been completed, ensure that the product handle is in the lowest position and ensure that product is in full contact with the ground.
- Rubber contacts located on the base of the product will prevent the ramps from shifting while the vehicle is being loaded.
- Have a second person, referred to the spotter here after, stand away from the vehicle being loaded and advise the driver of their position while driving the vehicles on the ramp. It is the job of the spotter to ensure that the vehicle is as centered on the ramps as possible.
- Allow the vehicle to gradually climb up the ramps, using as little of accelerating force as possible.
- Once the vehicle has reached the center of the top of the ramp, apply the brakes of the vehicle to prevent the vehicle from falling off the front. The spotter should inform the driver when they have reached this spot.
- With the manual breaks applied, place the vehicle in neutral and apply the vehicles emergency brake system. Only once the emergency brakes have been applied should you release the manual brakes of the vehicle.
- Once the emergency brakes have been activated, you can shut the vehicle off and the driver can safely step out of the vehicle. Please note that there will now be a drop off once someone exits the vehicle and they should take extra precaution when exiting the vehicle.
- Wheel chock the wheels of the vehicle that are not being supported by the ramps for additional safety.
- Once secured, give the supported vehicle a firm shake and ensure that the ramps and the vehicle are all stable.
- Finally, ensure that no damage has happened to the ramps while the vehicle was being loaded. If there is any structural damage noticed, you should remove the vehicle from the ramps and discontinue use until a new set of truck ramps can be acquired or the existing set can be repaired by a verified repair center.
- To lower a vehicle, use a spotter once more to assist the driver off of the ramps. Ensure that all persons and property are safely away from the vehicle before you begin to offload. Remove all wheels chocks before entering the vehicle
- Once in the vehicle, turn the vehicle on and apply the manual brake system. Release the emergency brake and shift the vehicle into reverse. Once in gear, slowly release the manual brake system and slowly and in a controlled manner back the vehicle off of the truck ramps using the spotter to keep the vehicle aligned during the off load process.
- Once the vehicle is clear of the area, it is safe to dolly the ramps by lifting their handles to a storage area.

Maintenance

Inspect each stand before use. Ensure all parts move freely. If rust appears, sand away the rust area and cover with appropriate utility paint.



Item	Part Number	Description	Qt'y
1	XP20.1	Handle Assembly	1
2	XP20-2	Wheel Assembly	2

* Items not identified by part number are not available for replacement.

ONE YEAR LIMITED WARRANTY

For a period of one (1) year from your purchase date, THA Hydraulics will repair or replace (at its option), without charge, your THA product if it was purchased new and the product has failed due to a defect in material or workmanship which you experienced during normal use of the product. This limited warranty is your exclusive remedy.

To access the benefits of this warranty, contact THA at 1-844-364-9922 for confirmation that this warranty applies. Thereafter, you may be advised to return the product under warranty, freight prepaid, to the THA service department.

If this THA product is altered, abused, misused, modified or undergoes service by an unauthorized technician, your warranty will be void. We are not responsible for damage to ornamental designs you place on this THA product and such ornamentation should not cover any warnings or instructions or they may void the warranty. This warranty does not cover scratches, superficial dents and other abrasions to the paint finish that occur under normal use.

Subject to the law in your state:

- (1) Your sole and exclusive remedy is repair or replacement of the defective product as described above.
- (2) THA is not liable for any incidental damages, including but not limited to, lost profits and unforeseeable consequences.
- (3) The repair and replacement of this product under the express limited warranty described above is your exclusive remedy and is provided in lieu of all other warranties, express or implied. All other warranties, including implied warranties and warranties of merchantability or fitness for a particular purpose are disclaimed and, if disclaimer is prohibited, these warranties are limited to one year from your date of purchase of this product.

Some states' laws do not allow limited durations on certain implied warranties and some states' laws do not allow limitations on incidental or consequential damages. You should consult the law in your state to determine how your rights may vary.

THA Hydraulics
 12200 N.W. Ambassador Drive, Suite 202
 Kansas City, MO 64163
 Toll Free Service Number 1-844-364-9922
 Printed In China