

### **Operating Instructions & Parts Manual**

## **Air/Hydraulic Bottle Jack-Stubby**



Capacity	Min. Height	Max Height	Base Size (L x W)	Shipping Weight
<b>20 Ton</b>	<b>8-1/4"</b>	<b>15-1/2"</b>	<b>9-1/4" X 6-7/8"</b>	<b>34.1LBS</b>

### **Contents:**

- Page: 1. Specifications  
2. Safety & Warning Information  
3. to 6. Setup, Assembly, Operation & Preventive Maintenance  
7. Inspection, Storage & Troubleshooting  
8. Exploded View & Replaceable Part Numbers  
9. Warranty Information  
10. Preventive Maintenance Record Log

### SAFETY & WARNING INFORMATION



This is the safety notification symbol. This symbol will notify you of any potential injury hazards. Please follow all instructions that follow this symbol to avoid possible injuries or death.



Indicates a hazardous situation. If proper steps are not followed, death or serious injury could result.



### **IMPORTANT: READ ALL INSTRUCTIONS BEFORE USE**

Before operating this device, be sure to read all content within this manual, ensuring that you understand the operating procedures, maintenance requirements and all safety warnings.

The owner and/or operator shall have an understanding of the product, its operating characteristics, and safety operating instructions before operating this device. Safety information shall be emphasized and understood. If the operator is not fluent in English, the product and safety instructions shall be read to and discussed with the operator in the operator's native language by the purchaser/owner or his designee, making sure that the operator comprehends their contents.



### **Actions to help prevent dangerous situations**

- Study, understand, and follow all instructions before operating this device.
- Do not exceed the rated capacity stated.
- Use only on hard level surfaces.
- This item is to be used as a lifting device only. Immediately after lifting, support the vehicle with appropriate means.
- Do not move or dolly the vehicle while it is on the jack.
- Lift only on areas of the vehicle as specified by the vehicle manufacturer.
- No alterations shall be made to this product.
- **Air source must be able to dedicate 7.8 CFM @ 90 – 150 PSI to each jack in operation.**
- Failure to heed these markings may result in serious personal injury and/or property damage.

### SETUP, OPERATION & PREVENTIVE MAINTENANCE



#### Setup

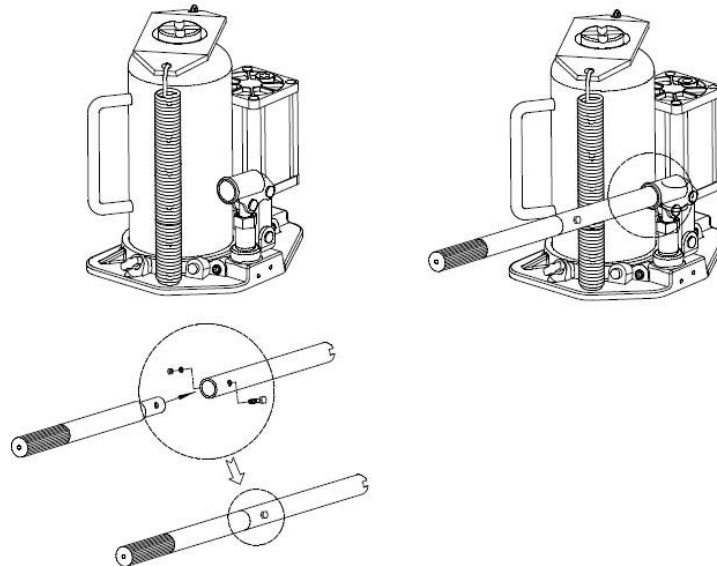
- Prior to each use, visual inspection (See Pg. 7) shall be made to the device by checking for abnormal conditions, such as cracked welds, leaks, and damaged, loose, or missing parts.
- Consult the vehicle owner's manual to determine the location of lift points.
- Be sure to set the vehicle in park with the emergency brake on and wheels securely chocked.
- Be sure that the vehicle and the jack are on a hard, level surface.
- A few drops of air lubricant should be placed into the inlet of the lift control valve.
- Once air is connected, squeeze the air control valve for 3 to 5 seconds to distribute lubricant within the system.

**Please Note: To extend the life of your product, an in-line air dryer and oiler are recommended.**



#### Assembly

- If two piece handles are provided, assemble the upper section into the lower section, line up the holes, insert and tighten connecting screw and insert into handle sleeve.



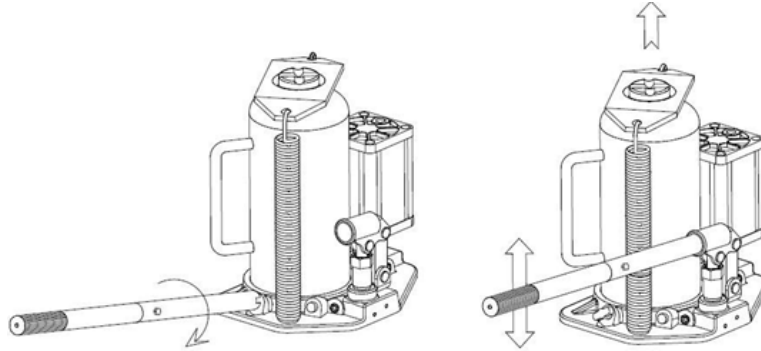
#### Handle Assembly

#### **WARNING**

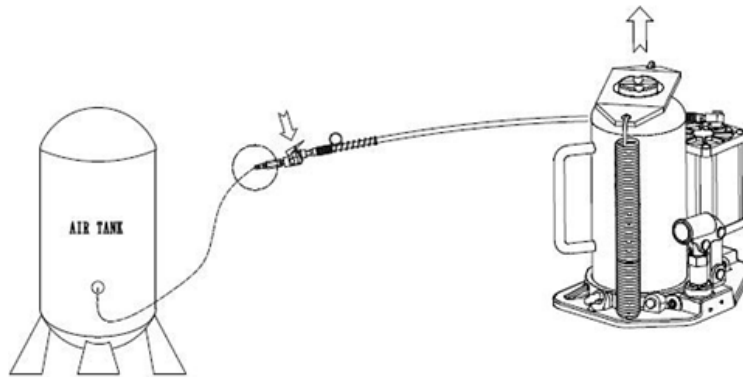
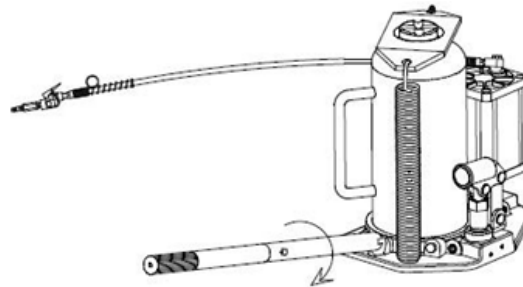
Use only the handle provided from the manufacture for this product. If the handle has excessive wear, it may not be able to disengage the release valve. **Do not use this product if the handle shows these signs of wear as the jack may become stuck in the extended position.** Discontinue use until a new handle can be acquired from the manufacturer.

### **Lifting**

- Turn the release valve clockwise to the closed position. Do not over tighten.
- Position the jack under the specified lift point.
- Begin lifting by activating the control valve or by pumping the handle up and down.
- If jack does not properly respond, follow the air bleeding steps on page 6.
- Immediately after lifting, support the vehicle with appropriately rated jack stands.
- Turn the release valve slowly counterclockwise to lower the vehicle onto jack stands.



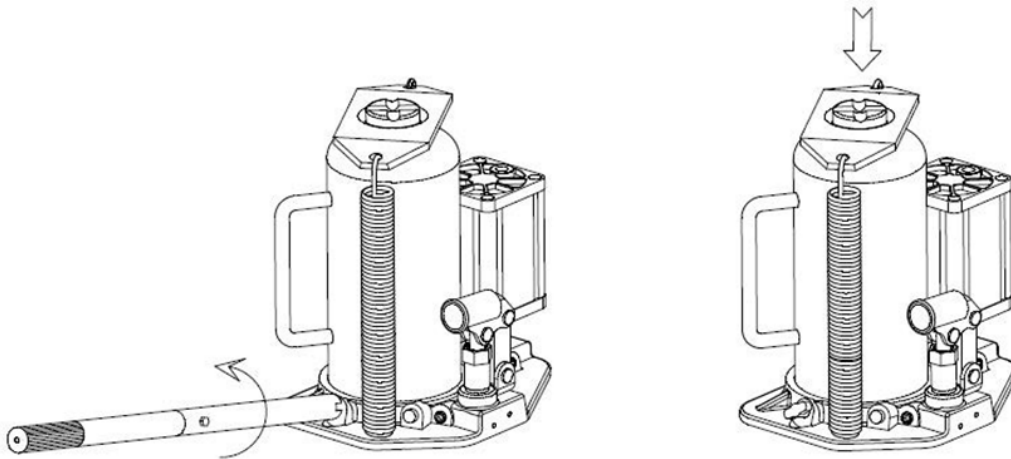
Lift by Handle



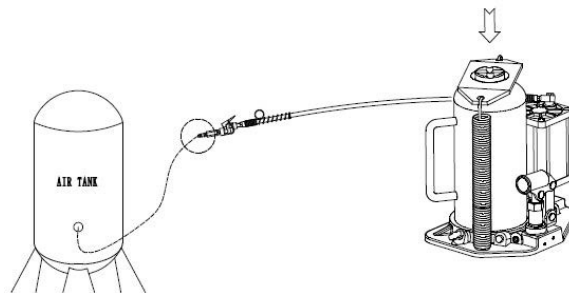
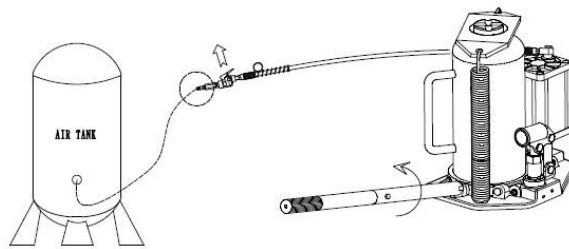
Lift by Air

### Lowering

- Turn the release valve clockwise to the closed position. Do not over tighten.
- Pump the handle up and down to lift vehicle off jack stands.
- Remove the jack stands. Do not get under or let anyone get under the vehicle while lowering.
- Turn the release valve slowly counterclockwise while maintaining a safe rate of descent, to lower the vehicle onto the ground.
- **Never turn the release valve more than one half of a turn as this will cause a rapid drop rate which could lead to injury and/or property damage.**
- After safely removed from load, ensure the ram and the handle sleeve are both fully in the down position to reduce exposure to rust and containments



### Release by Handle



### Air Lift Release by Handle

**SETUP, OPERATION & PREVENTIVE MAINTENANCE(Cont.)****Maintenance**

**NOTICE:** Use high grade hydraulic oil only. Never use brake fluid, motor oil, transmission fluid, turbine oil or any other fluids. ISO-VG22 or equivalent hydraulic oil is recommended.

**Check and Refill Oil**

- With the jack in the fully lowered, level position remove the oil filler screw.
- Proper oil level should be even with the bottom of the oil filling hole.
- Do not overfill. Always fill with new, clean hydraulic jack oil as recommended above.
- Reinstall oil filler screw, then reinstall unit cover.

Full replacement of oil is recommended every year for maximum life. To completely drain oil out of the system, follow step one above and then lay the jack on its side allowing the oil to drain into an appropriate container. Once completed, refill the oil reservoir as indicated in step two. Properly dispose of used oil.

**Lubrication and Cleaning**

- Periodically clean and lubricate all moving parts and pivot points. A periodic light coating of lubricant to all moving parts will help prevent the development of rust.

**Air Venting Procedures**

- With the jack in the fully lowered position, release valve open, remove oil filler screw.
- Pump the handle rapidly several times. Reinstall oil filler screw.
- Proper oil level should be even with the bottom of the oil filling hole.

**Damaged Equipment**

Any jack that appears to be damaged in any way, is found to be worn, or operates abnormally **SHALL BE REMOVED FROM SERVICE UNTIL REPAIRED**. It is recommended that necessary repairs be made by a manufacturer's or supplier's authorized repair facility if repairs are permitted by the manufacturer or supplier.

**Alterations**

Because of potential hazards associated with this type of equipment, no alterations shall be made to the product.

**Attachments and Adapters**

Only attachments and/or adapters supplied by the manufacturer shall be used.

**INSPECTION, STORAGE & TROUBLESHOOTING**



**Inspection**

- Visual inspection shall be made before each use of the device by checking for abnormal conditions, such as cracked welds, leaks, and damaged, loose, or missing parts.
- Other inspections shall be made per product operating instructions.
- This device shall be inspected immediately if the device is believed to have been subjected to an abnormal load or shock. It is recommended that this inspection be made by a manufacturer’s or supplier’s authorized repair facility.
- Owners and/or operators should be aware that repair of this equipment may require specialized knowledge and facilities. It is recommended that an annual inspection of the product be made by a manufacturer’s or supplier’s authorized repair facility and that any defective parts, decals, or safety labels or signs be replaced with manufacturer’s or supplier’s specified parts.



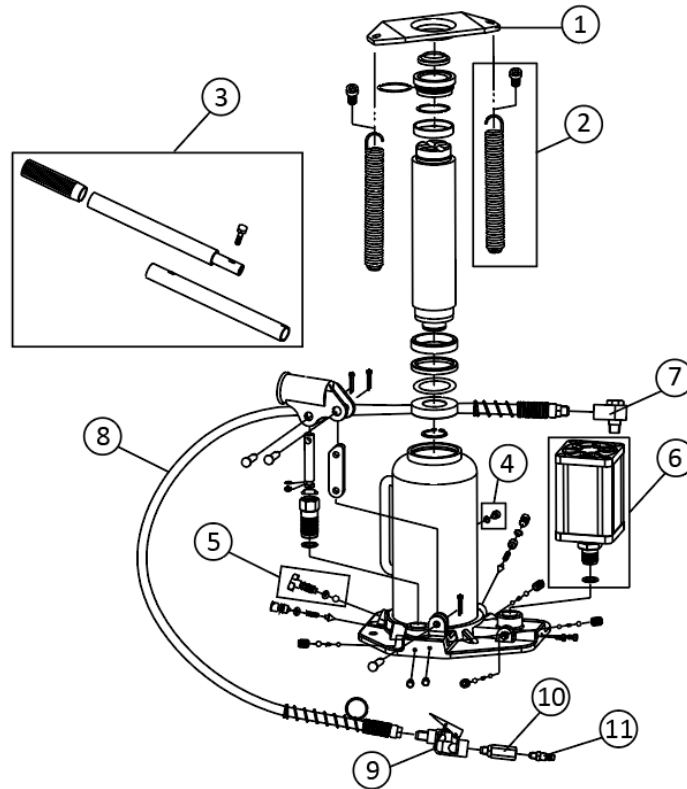
**Storage**

This Jack should be stored in a dry location on a level surface.



**Troubleshooting**

Symptom	Possible Causes	Solution
<b>Jack will not lift the load.</b>	<ol style="list-style-type: none"> <li>1. Release valve not tightly closed.</li> <li>2. Low oil level.</li> <li>3. Defective or worn internal parts.</li> <li>4. Load exceeds maximum allowance.</li> </ol>	<ol style="list-style-type: none"> <li>1. Tighten release valve.</li> <li>2. Check and add oil. Follow “Check and Refill Oil” instructions on Pg.4.</li> <li>3. Discontinue use and contact a local repair center.</li> <li>4. Use a higher capacity jack.</li> </ol>
<b>Jack will not hold the load.</b>	<ol style="list-style-type: none"> <li>1. Release valve not tightly closed.</li> <li>2. Hydraulic unit malfunction.</li> </ol>	<ol style="list-style-type: none"> <li>1. Tighten release valve.</li> <li>2. Discontinue use and contact a local repair center.</li> </ol>
<b>Jack will not descend to minimum height, or will not remain in lowered position.</b>	<ol style="list-style-type: none"> <li>1. Air trapped in system.</li> <li>2. Reservoir oil overfilled.</li> </ol>	<ol style="list-style-type: none"> <li>1. Vent air out of system. Follow “Air Venting Procedures” above.</li> <li>2. Check and ensure proper oil level. Follow “Check and Refill Oil” instruction on Pg.4.</li> </ol>
<b>Jack will not lift to max height.</b>	<ol style="list-style-type: none"> <li>1. Low oil level.</li> </ol>	<ol style="list-style-type: none"> <li>1. Check and ensure proper oil level. Follow “Check and Refill Oil” instructions above.</li> </ol>
<b>Jack will not function properly after tried solution.</b>	<ol style="list-style-type: none"> <li>1. Internal malfunction or structural damage.</li> </ol>	<ol style="list-style-type: none"> <li>1. Discontinue use and contact an authorized repair center.</li> </ol>

**EXPLODED VIEW & REPLACEABLE PART NUMBERS**


Item	Part Number*	Description	Q'ty
1	QLD20-1	Spring Plate	1
2	QLD20-100	Return Spring w/ Screw (61207)	2
3	QLD20.200	2 Piece Handle Assembly	1
4	LYD3F-100	Air Vent Screw w/ O-Ring	1
5	QLD20.1-900	Release Valve w/ Seal	1
6	KCD22.9-10	Air Motor Assembly w/ Washer	1
7	KCD22-14-1	Inlet Swivel	1
8	KCD22-14-2	Air Hose	1
9	KCD22-14-3	Control Valve	1
10	KCD22-14-4	Air Filter	1
11	KCD22-14-5	Male Coupler	1

\* Items not identified by part number are not available for replacement.



**Model: 88585- Capacity: 20 Ton**

## **WARRANTY INFORMATION**

### **ONE YEAR LIMITED WARRANTY**

For a period of one (1) year from your purchase date, STRONGWAY will repair or replace (at its option) without charge, your STRONGWAY product if it was purchased new and the product has failed due to a defect in material or workmanship which you experienced during normal use of the product. This limited warranty is your exclusive remedy.

To access the benefits of this warranty, contact STRONGWAY at 1-800-317-1260 for confirmation that this warranty applies. Thereafter, you may be advised to return the product under warranty, freight prepaid, to the STRONGWAY service department.

If this STRONGWAY product is altered, abused, misused, modified, or undergoes service by an unauthorized technician, your warranty will be void. We are not responsible for damage to ornamental designs you place on this STRONGWAY product and such ornamentation should not cover any warnings or instructions or they may void the warranty. This warranty does not cover scratches, superficial dents, and other abrasions to the paint finish that occur under normal use.

Subject to the law in your state:

- (1) Your sole and exclusive remedy is repair or replacement of the defective product as described above.
- (2) STRONGWAY is not liable for any incidental damages, including but not limited to, lost profits and unforeseeable consequences.
- (3) The repair and replacement of this product under the express limited warranty described above is your exclusive remedy and is provided in lieu of all other warranties, express or implied. All other warranties, including implied warranties and warranties of merchantability or fitness for a particular purpose are disclaimed and, if disclaimer is prohibited, these warranties are limited to one year from your date of purchase of this product.

Some states' laws do not allow limited durations on certain implied warranties and some states' laws do not allow limitations on incidental or consequential damages. You should consult the law in your state to determine how your rights may vary.



Printed In China

