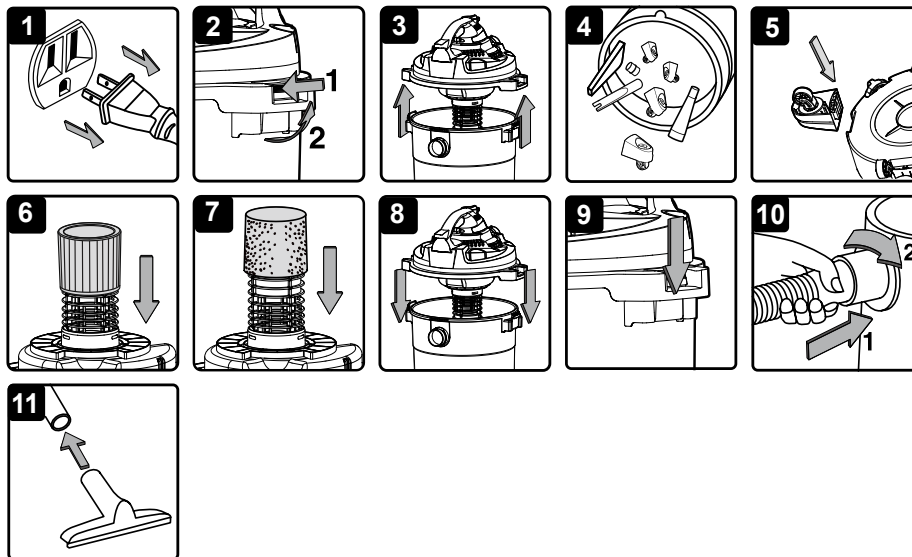


GENERAL ASSEMBLY INSTRUCTIONS

A Philips head screw driver is required.




WARNING: TO REDUCE THE RISK OF ELECTRIC SHOCK, DO NOT EXPOSE TO RAIN. MAKE SURE PLUG IS DISCONNECTED BEFORE ASSEMBLING THE WET/DRY VAC.

UNPACKING YOUR WET/DRY VACUUM & GENERAL ASSEMBLY

1. Verify that the power cord is disconnected from the outlet. (Fig. 1)
2. Undo the latches. (Fig. 2)
3. Lift the power head off the collection tank. (Fig. 3)
4. Remove the contents from inside the collection tank, make sure you have all contents as listed on carton content list on page 5. (Fig. 4)
5. With the power head removed, turn the collection tank upside down. Insert the four caster feet into the slots on the collection tank and secure them with the provided screws. (Fig. 5) Do not over-tighten the screws.
6. Your vacuum comes ready for dry vacuum cleaning. For installation instructions, see page 13. (Fig. 6)
7. For wet vacuum cleaning, install the supplied foam wet filter. (Fig. 7) For filter installation instructions, see page 13.
8. Place the power head back on the collection tank, aligning the top section with the latches, and snap into place. (Fig. 8 & 9)
9. Insert the locking end of the hose into the port of the collection tank and turn to lock into place. (Fig. 10)
10. Choose the desired accessory and insert onto the end of the hose. (Fig. 11)
11. After vac use, store hose, accessories and cord as illustrated on page 12.

POLARIZED PLUG

To reduce the risk of electrical shock, this appliance has a polarized plug (one blade wider than the other). This plug will fit in a polarized outlet only one way. If the plug does not fit fully in the outlet, reverse the plug. If it still does not fit, contact a qualified electrician to install the proper outlet. Do not change the plug in any way. Double insulation  eliminates the need for the three wire grounded power cord and grounded power supply system.