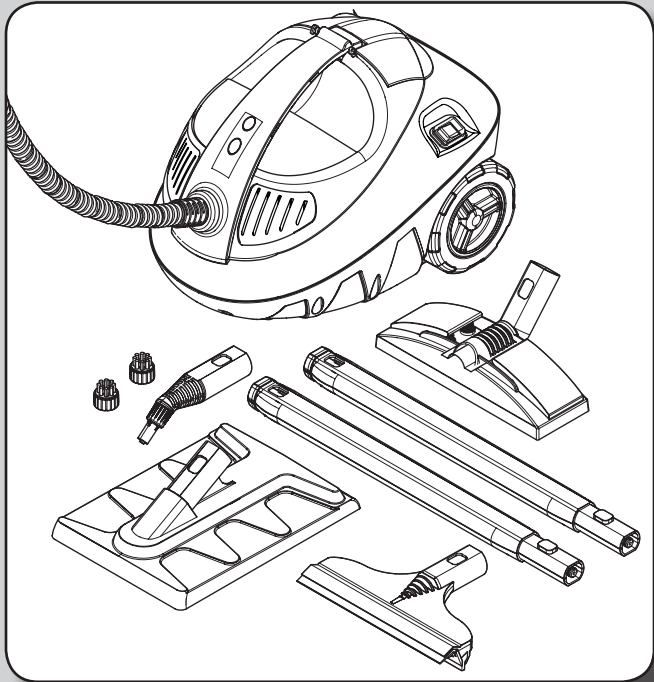


ON-DEMAND™ 915 POWER STEAMER®



Owner's Manual (page 2)

Read this manual for complete instructions



Manuel de l'utilisateur (page 8)

Lire ce manuel pour obtenir des directives complètes

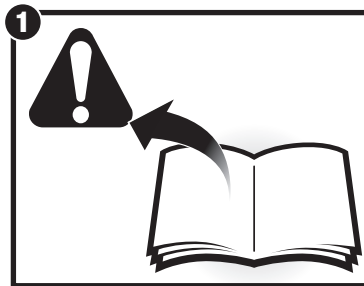
Manual del usuario (página 14)

Lea este manual para obtener las instrucciones completas

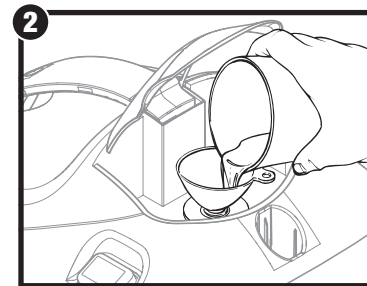
WAGNER®

0318 • Form No. 0520902G

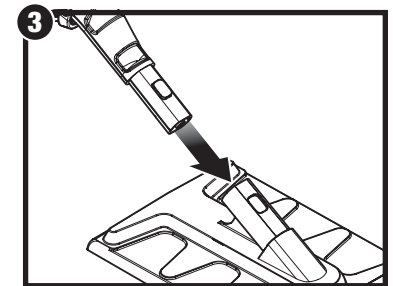
Quick Start Guide • Guide de démarrage rapide • Guía Rápida para comenzar



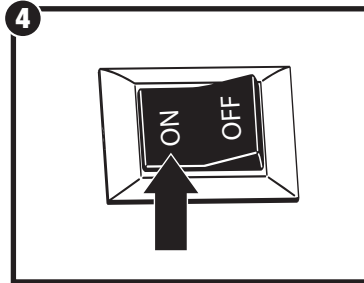
1
Read all warnings
Lisez tous les avertissements
Lea todas las advertencias



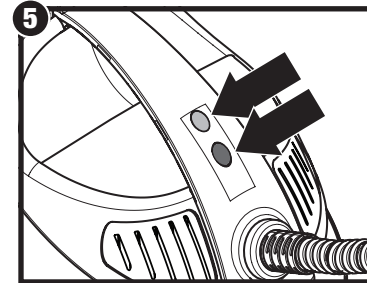
2
Fill container with water (48 oz. max)
Remplissez le réservoir avec de l'eau.
(1,4 l maximum)
Llene el contenedor con agua (1,4 l
máximas)



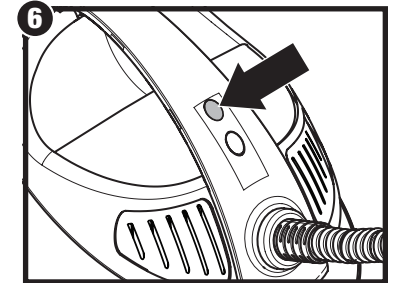
3
Attach handle to accessory
Assemblez la poignée et la accessoire
Coloque el mango en la accesorio



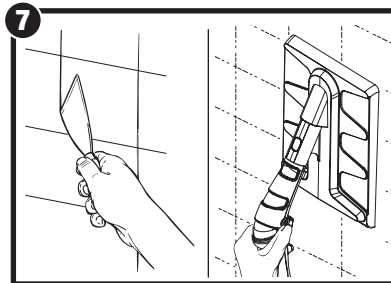
4
Plug in power cord, switch ON (I)
Branchez le cordon d'alimentation et
mettez l'interrupteur en marche (ON)
Enchufe el cable de alimentación y
encienda la unidad (ON)



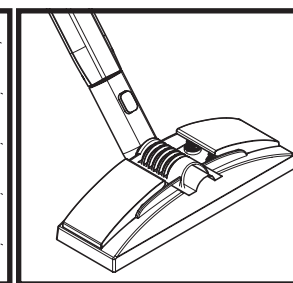
5
Allow unit to heat (green and red lights
on)
Laissez chauffer l'appareil (témoin
lumineux vert et rouge allumés)
Deje que la unidad se caliente (luces
verde y rojo encendidas)



6
Green light only = you are ready to
steam.
Témoin lumineux vert allumé seulement
= prêt à vaporiser
Sólo luz verde encendida = La unidad
está lista para generar vapor



7
Score and remove wall paper, or . . .
Éraflez légèrement le papier peint, puis
enlevez-le, ou . . .
Marque y retire el papel tapiz, o . . .



perform cleaning job
accomplir la tâche de nettoyage
realizar la tarea de limpieza



DO NOT FILL THE STEAMER WITH ANY LIQUIDS EXCEPT CLEAN WATER.

REMPLISSEZ LE VAPORISATEUR EN UTILISANT SEULEMENT DE L'EAU PROPRE.

NO LLENE EL GENERADOR DE VAPOR CON NINGÚN LÍQUIDO SALVO AGUA LIMPIA.

Español


Français


English

Important Safety Information

 Read all safety information before operating the equipment. Save these instructions

To reduce the risks of fire or explosion, electrical shock and the injury to persons, read and understand all instructions included in this manual. Be familiar with the controls and proper usage of the equipment.

 Indicates a hazardous situation which, if not avoided, could result in death or serious injury.

 DO NOT FILL THE STEAMER WITH ANY LIQUIDS EXCEPT CLEAN WATER. Do not use household cleaners, bleach or any other chemicals with this steamer. This can result in a dangerous situation, resulting in an explosion.

HAZARD: Hot steam and parts. May cause injury, including skin burns or property damage. Temperatures exceed 212° F (100°C).



PREVENTION:

- Stay clear of steam and steam plate surface. DO NOT place hand in front of steam plate.
- Water drops are hot and may burn skin. Use extreme caution when using steam plate overhead, and routinely empty water from steam plate. Wear eye protection and gloves when using this steamer.
- Spray handle may become warm to the touch during usage.
- Allow parts to cool before changing accessories and /or opening fill cap.
- Never point steam plate or accessories at anyone.
- Hot water may eject from accessories when trigger is activated.
- DO NOT over fill water container.
- DO NOT strain or kink hose. Never repair a damaged hose.

HAZARD: Fire. May cause severe injury and/or property damage.



PREVENTION:

- DO NOT allow water to boil dry. Boiling dry may cause overheating and fire.
- DO NOT allow water or steam to enter light switches or sockets.

HAZARD: Electrical Shock. May cause severe injury.



PREVENTION:

- Power cord must be connected to grounded (3 prong) outlet.
- DO NOT use the unit if the power cord is worn or damaged. Never repair a power cord.
- DO NOT pull water container by power cord.
- DO NOT allow water or steam to enter light switches or sockets.

HAZARD: General. May cause injury and/or property damage.

PREVENTION:

- DO NOT modify parts or components. Never repair damaged or worn parts.
- Water container must rest on a sturdy, level surface and in upright position.
- Keep power steamer away from children.
- NEVER leave power steamer unattended.
- Read all instructions and warnings before each use.

Grounding Instructions

This product should be grounded. In the event of an electrical short circuit, grounding reduces the risk of electric shock by providing an escape wire for the electric current. This product is equipped with a cord having a grounding wire with an appropriate grounding plug. The plug must be plugged into an outlet that is properly installed and grounded in accordance with all local codes and ordinances.

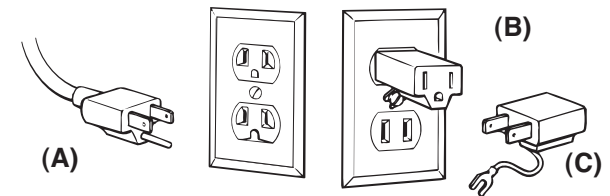
WARNING! — Improper installation of the grounding plug can result in a risk of electric shock.

If repair or replacement of the cord or plug is necessary, have your nearest Wagner Authorized Service Center replace it.

Check with a qualified electrician or serviceman if the grounding instructions are not completely understood, or if in doubt as to whether the product is properly grounded. Do not modify the plug provided; if it will not fit the outlet, have the proper outlet installed by a qualified electrician.

Extension Cords

Use only a 3-wire extension cord that has a 3-blade grounding plug, and a 3-slot receptacle that will accept the plug on the product. Make sure your extension cord is in good condition. When using an extension cord, be sure to use one heavy enough to carry the current your product will draw. An undersized cord will cause a drop in line voltage resulting in loss of power and overheating. For lengths up to 100 feet, use 14 AWG extension cords.



Thermal Safety Fuse Reset

Always fill the unit before plugging it in. If the steamer is plugged in before it is filled with water, or if the steamer is allowed to run dry, a thermal safety fuse will open, causing the unit to turn off. If this happens, unplug the unit and allow it to cool for at least 10 minutes. The safety fuse will reset itself.

NOTE: The water container, heating element and hose are not serviceable. Should a problem occur with the steamer, contact Wagner Technical Service.

Product Registration

Register your product online at www.wagnerspraytech.com.

Parts and Components

Start **Replaceable parts:**

These parts can be ordered or replaced by calling Wagner Technical Service:

Item	P/N	Qty.
Steam plate	0282125	1
Jet nozzle	0282124	1
Brushes	0282123	2
Extension	0282119	1
Squeegee	0282118	1
Large cleaning brush	0282120	1
Cleaning brush towel	0282121	3
Funnel	0282776	1
Fill cap	0520213	1

*Indicator lights:

Green and Red light on = unit warming up
Green light only on = ready to steam

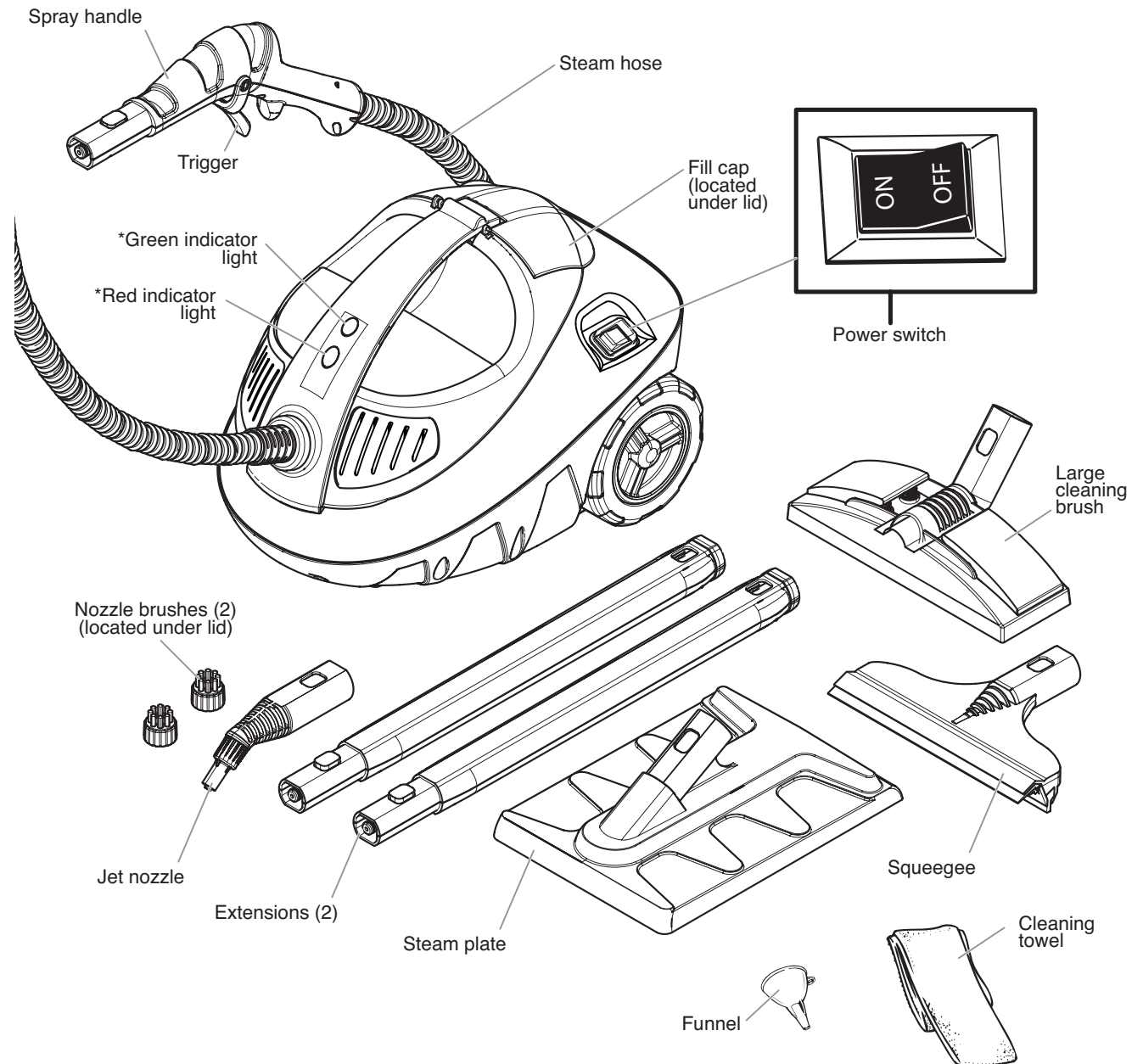
Questions?

Call Wagner Technical Service at:

1-800-727-4023

Register your product online at:

www.wagnerspraytech.com



Setup

Start Before you begin:



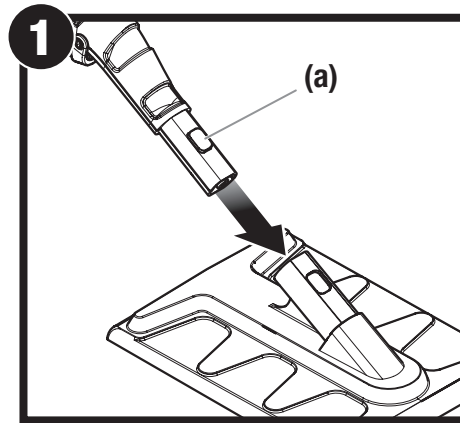
DO NOT FILL THE STEAMER WITH ANY LIQUIDS EXCEPT CLEAN WATER. Do not use household cleaners, bleach or any other chemicals with this steamer.



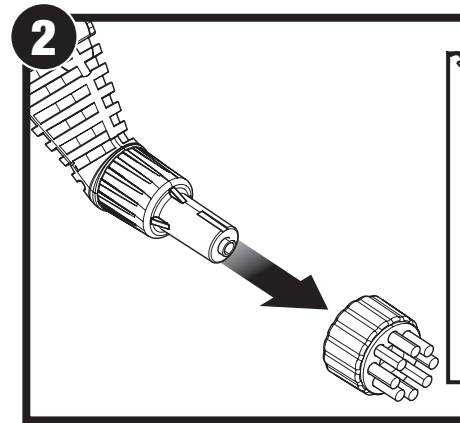
Never use more than two extensions when using the steamer.



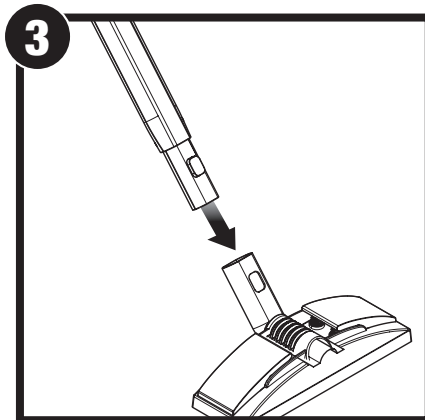
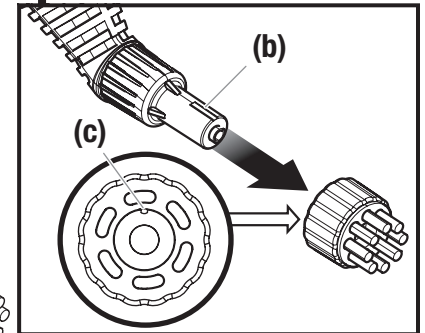
Never attach extensions or accessories while unit is emitting steam.



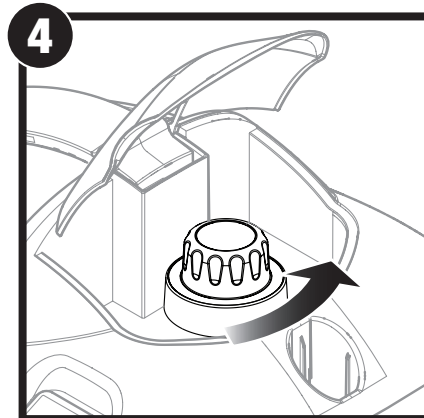
1. Push the button on the handle (a) and attach the steam plate, extensions, or cleaning accessory to the trigger mechanism.



2. If using the jet nozzle, assemble the brush onto the nozzle.



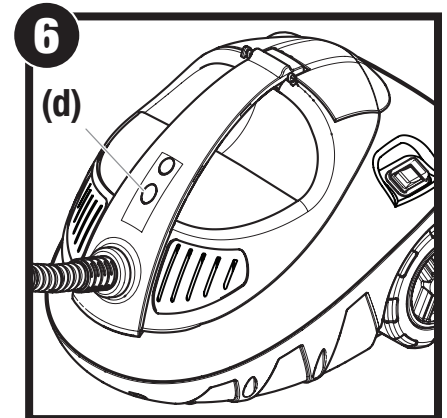
3. If using an extension, attach the accessory to the extension.



4. Flip up filler cap lid and carefully unscrew filler cap. Using the funnel, fill the steamer with clean tap water (distilled water recommended). **DO NOT OVERFILL.**

Amount of water	Steam time
16 oz.	15 min
32 oz.	30 min
48 oz.	45 min

5. Use the chart above as a guide to determine how much water you will need based on how long you need to use the steamer. Replace fill cap and shut filler cap lid when filled with desired amount.



6. Plug in the power cord and turn the switch ON. Both the green and red indicator lights will turn on. Once the red indicator light on the container turns off (d), you are ready to begin steaming.

Note: When the red light turns back on, you can continue steaming.

Usage

Start Before you begin:



DO NOT leave steam plate unattended, or face down on any surfaces.



DO NOT operate the steamer once the water container is empty. Make sure to wear gloves and eye protection.



Before unscrewing the filler cap and filling the reservoir, make sure any remaining water has cooled for at least twenty (20) minutes. Empty any remaining water to avoid over-filling.



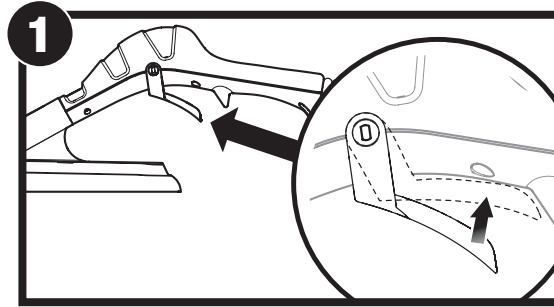
Do not look directly down into the fill hole when filling. Keep your free hand and others at a safe distance.



The spray handle may become warm to the touch during usage.

Note: Before using, trigger the spray handle into a sink or empty bucket to purge any remaining cold water.

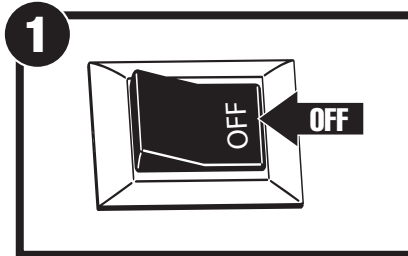
Using the trigger



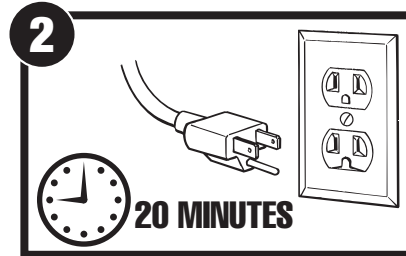
1. You can control the flow of steam from the accessory by activating the trigger. The trigger will also relieve any built-up pressure remaining in the system after the steamer has been shut off.

Note: Just turning the power OFF does not relieve steam pressure. During cool down, treat the unit as if it is under pressure. Always activate the trigger before removing the fill cap.

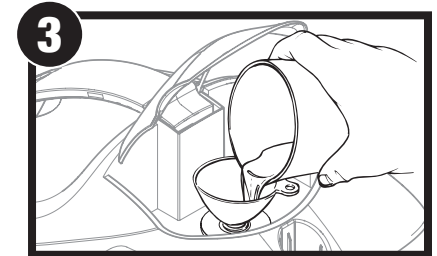
Cooling / refilling



1. Shut the unit OFF. Activate trigger until all pressure has been released.

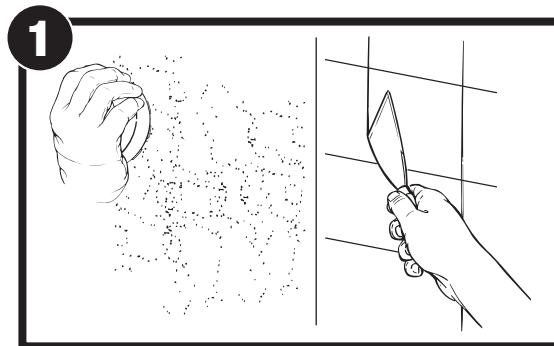


2. Unplug power cord. Allow steamer to cool for at least twenty (20) minutes.
* See NOTE, above.

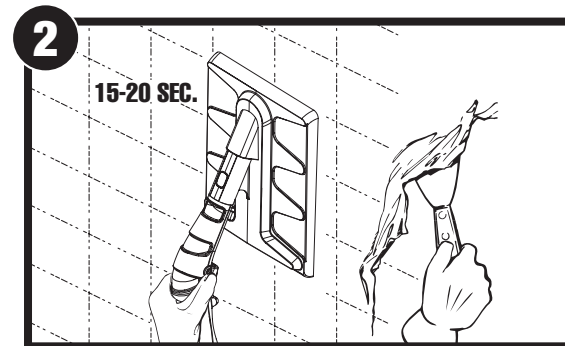


3. Once unit has sufficiently cooled, repeat steps 4-6 in Setup to continue.

Wallpaper removal



1. For best results, use a scoring tool or a putty knife (sold separately) and gently score the wallpaper in a crisscross pattern before removal. The perforations will allow the steam to penetrate the wallpaper.



2. To remove wallpaper, hold the steam plate flat against the scored wallpaper. Pull the trigger and hold for 15-20 seconds. Move the steam plate to a new section and remove the steamed section with a scraper blade (sold separately).

Steam cleaning

General Notes:

Using Steam on Delicate Materials

Always check the suitability of materials before steam cleaning. Steam is being generated at temperatures in excess of 212°F (100°C). Do not use on any surfaces that cannot withstand this temperature. Always test a small area of the material, preferably an area that is normally out of view. Do not soak materials being cleaned. Only a light application of steam is required. See below for more information on steam cleaning.



DO NOT attempt to use the steam plate included with this unit as a cleaning device. The steam plate is designed for wallpaper removal only. This unit is not recommended to be used on self-adhesive vinyl tiles.



Pressurized steam may bounce back off cleaning surface.

- Using the cleaning accessories generally require less water than wallpaper removal. Using less water will decrease time it takes for the unit to make steam.
- Activate the trigger as needed for sufficient steam supply. Use the soft bristles to brush away dirt, grease, unwanted dried paint, etc. **DO NOT** over-scrub the surface unless you are cleaning tiles or stone.
- Use only clean tap water or distilled water when using the steamer. No detergents or any other additives are needed.
- When cleaning upholstery or clothing, **DO NOT** soak the material. Try cleaning an inconspicuous area that is normally not in view and wait 24 hours before checking whether the material has been affected. If material has been adversely affected, **DO NOT CONTINUE!**

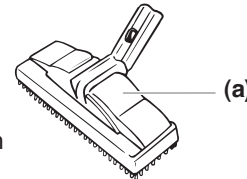
Using the Cleaning Accessories:

The accessories are excellent tools for cleaning a variety of surfaces.

Note: Using the optional accessories for cleaning generally requires less water than wallpaper removal. Using less water will decrease time it takes for the unit to make steam.

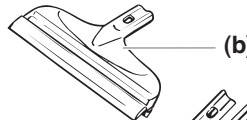
The Large Cleaning Brush (a)

The large cleaning brush and towel can be used to clean large, solid areas or upholstery. It can be used on surfaces such as ceramic, stone, parquet, marble, linoleum and carpet (see **Steam Cleaning Tips**, below, before cleaning).



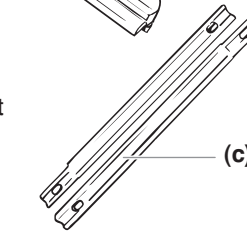
Window / Tile squeegee (b)

The squeegee is an excellent tool for cleaning windows and also tiles. The rubber blade can be used to scrape away dirt and other particles as steam is applied.



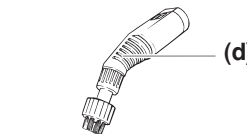
The Extensions (c)

The extensions can be used for floor cleaning and to help you reach into higher or harder to reach areas. Do not use more than two (2) extensions.



The Jet Nozzle with Brush (d)

The jet nozzle is recommended for steam cleaning smaller, harder to reach areas.



Steam Cleaning Tips - Read before starting

Flooring and Carpeting:

- This unit is not recommended for use on surfaces that can be damaged by heat or water, such as self-adhesive vinyl tiling, or wood flooring as the steam may cause the floor boards to swell. Always check with floor manufacturer before using steamer.
- Some carpets contain stain resistant treatments which may be affected by steam cleaning. Try cleaning a small, normally unseen area of carpet, and allow 24 hours to verify any unusual effects on the carpet. If this occurs, do not continue to use. Check with your carpet supplier for further information.

Windows and Tiles:

- Be careful not to pick up dirt or grit particles on the rubber blade as this could scratch the glass.
- Antique and stained glass may be brittle and may crack under extreme temperatures.
- Do not use on glass when the temperature is below 32°F (0°C). Glass may crack in cold temperatures.
- If your window has been treated or coated in any way, check with manufacturer before using steamer.

Upholstery and Fabrics:

- Some upholstery and fabrics contain stain resistant treatments which may be affected by steam cleaning. Try cleaning a small, normally unseen area and allow 24 hours to verify any unusual effects. If this occurs, do not continue to use. Check with material supplier for further information.
- Always check the suitability of materials before steam cleaning. Do not use on any surfaces that cannot withstand temperatures in excess of 212°F (100°C).
- On clothing, always check the garment label or check with the clothing retailer before steam cleaning.
- When cleaning upholstery or clothing, do not soak the material. Only a small amount of steam is sufficient for cleaning. Too much steam can leave water marks or other damage.

General:

- Activate the trigger as needed for sufficient steam supply. Use the soft bristles on the accessories to brush away dirt, grease, unwanted dried paint, etc. Do not over-scrub the surface unless you are cleaning tiles or stone.
- Use only clean tap water or distilled water when using the steamer. No detergents or any other additives are needed.
- Read this manual for complete instructions. Follow all warnings.

When you are finished steaming

Storage:

When you have completed your steaming job, follow the steps below to store the unit.

1. Shut the unit OFF.
2. Activate trigger until all pressure has been released.
3. Unplug power cord.
4. Allow steamer to cool for at least twenty (20) minutes.
5. Activate trigger to release pressure. Remove all accessories from handle.
6. Empty any remaining water in reservoir to prevent overflowing the next time the steamer is used. **NEVER store the unit with water in the container.**
7. Place the unit in a cool, dry location.

IMPORTANT: ALWAYS store the unit empty.

IMPORTANT: NEVER store the unit temperatures below 40° F (4° C).

Maintenance:

Over time, the reservoir may experience mineral build-up caused by the high mineral content found in most local water supplies. One way to avoid this is to use distilled water with this steamer. If you are unable to use distilled water, follow the steps below to remove mineral build-up. It is recommended that these steps be performed on a periodic basis.

1. Follow steps 1-6 in Storage, left.
2. Using a measuring cup, mix 8 ounces of vinegar and 8 ounces of water.
3. Slowly pour water/vinegar mixture into the reservoir.
4. Allow the unit to sit for at least thirty (30) minutes.
5. Empty the reservoir of the water/vinegar mixture.
6. Rinse reservoir with fresh water and drain. Repeat until vinegar odor dissipates.
7. Replace fill cap and store unit in a cool, dry place.

Importantes consignes de sécurité



Lire toutes ces consignes avant d'utiliser l'appareil. Garder ces consignes

Pour réduire les risques d'incendie ou d'explosion, de choc électrique et de blessure, vous devez lire et comprendre les directives figurant dans ce manuel. Familiarisez-vous avec les commandes et l'utilisation adéquate de l'équipement.



Indique une situation à risque, laquelle, si elle n'est pas évitée, peut entraîner des blessures graves, voire la mort.



REMPLEZ LE VAPORISATEUR EN UTILISANT SEULEMENT DE L'EAU PROPRE. N'utilisez pas de produits de nettoyage domestique, d'eau de Javel ou d'autres produits chimiques avec cet appareil à décoller le papier peint. Cela peut entraîner une situation dangereuse, causant une explosion.

DANGER : Vapeur d'eau et pièces brûlantes. Ces éléments peuvent causer des blessures, des brûlures ou des dommages matériels. La température est supérieure à 100° C (212° F).



PRÉVENTION :

- Tenez-vous à l'écart de la vapeur et de la surface de la plaquette de décollage. NE placez PAS votre main devant cette dernière.
- Les gouttes d'eau sont chaudes, elles peuvent provoquer des brûlures. Soyez très prudent quand vous vous servez de la plaquette de décollage au-dessus de votre tête ou que vous en videz l'eau. Portez des lunettes protectrices et des gants lorsque vous utilisez cet appareil.
- Pendant l'utilisation, la poignée de vaporisation peut devenir chaud au toucher.
- Laissez refroidir les pièces avant de changer des accessoires ou d'ouvrir le bouchon de remplissage.
- Ne pointez jamais la plaquette de décollage ou les accessoires vers quelqu'un.
- De l'eau chaude peut s'échapper des accessoires et couler lorsque la gâchette est actionnée.
- NE remplissez PAS trop le réservoir d'eau.
- N'étirez PAS le tuyau de façon excessive et NE l'entortillez PAS. Ne réparez jamais un tuyau endommagé.

DANGER : Incendie. Peut causer de graves blessures ou des dommages matériels.



PRÉVENTION :

- NE laissez PAS l'appareil chauffer s'il n'y a pas d'eau dans le réservoir. Cela pourrait causer une surchauffe et provoquer un incendie.
- NE laissez AUCUNE eau ou vapeur pénétrer dans les douilles ou interrupteurs d'éclairage.

DANGER : Choc électrique. Peut causer de graves blessures.



PRÉVENTION :

- Il faut brancher le cordon d'alimentation dans une prise mise à la terre (à 3 broches).
- N'employez PAS l'appareil si le cordon d'alimentation est usé ou endommagé. Ne réparez jamais un cordon d'alimentation.
- NE déplacez PAS le réservoir d'eau en tirant sur le cordon d'alimentation.
- NE laissez AUCUNE eau ou vapeur pénétrer dans les douilles ou interrupteurs d'éclairage.

DANGER : Général. Peut causer des blessures ou des dommages matériels.

PRÉVENTION :

- NE vous tenez PAS debout et NE vous asseyez PAS sur le réservoir d'eau. (Employez un escabeau.)
- NE modifiez PAS les pièces ou composants. Ne réparez jamais des pièces usées ou endommagées.
- Le réservoir d'eau doit se trouver sur une surface solide et plane, en plus d'être en position verticale.
- Tenez le nettoyeur à vapeur hors de la portée des enfants.
- NE laissez JAMAIS l'appareil branché en votre absence.
- Lisez toutes les directives et les avertissements avant chaque emploi.

Directives sur la mise à la terre

Ce produit doit être mis à la terre. La mise à la terre réduit le risque de chocs électriques en fournissant au courant électrique une voie d'échappement en cas de court-circuit. Ce produit est équipé d'un cordon pourvu d'un conducteur de mise à la terre et d'une fiche appropriée. La fiche d'alimentation doit être branchée dans une prise de courant correctement installée et mise à la terre conformément à la réglementation locale.

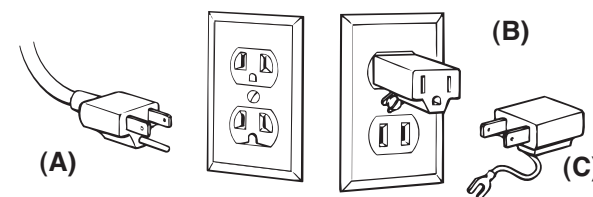
MISE EN GARDE! – Une mauvaise installation de la fiche de mise à la terre peut entraîner un risque de choc électrique.

S'il est nécessaire de réparer ou de remplacer le cordon ou la prise, confiez cette tâche à un Centre de service agréé de Wagner.

Si vous ne comprenez pas toutes les instructions de mise à la terre, ou en cas de doute sur la mise à la terre de l'appareil, veuillez consulter un électricien ou un technicien qualifié. Ne modifiez pas la fiche de mise à la terre. Si vous n'arrivez pas à l'insérer dans la prise de courant, faites installer une prise de courant adéquate par un électricien qualifié.

Rallonges

Utilisez seulement une rallonge électrique trifilaire pourvue d'une prise avec mise à la terre (trois tiges) et d'une connexion femelle à trois trous convenant au cordon de l'appareil. Assurez-vous que la rallonge électrique est en bon état. Lorsque vous utilisez une rallonge, assurez-vous qu'elle a un calibre assez élevé pour transmettre le courant nécessaire au fonctionnement de l'outil. L'utilisation d'une rallonge de calibre trop faible entraîne une chute de tension sectorielle se traduisant par une perte de courant et une surchauffe de l'appareil. Pour une distance de plus de 30,5 m (100 pi), employez une rallonge de calibre 14.



Réactivation du fusible de sûreté thermique

Remplissez toujours l'appareil avant de le brancher. Si vous le branchez avant d'y mettre de l'eau ou s'il fonctionne alors que le réservoir est vide, un fusible de sûreté thermique mettra l'appareil hors tension. Le cas échéant, débranchez l'appareil et laissez-le refroidir au moins dix minutes. Le fusible de sûreté sera réactivé automatiquement.

REMARQUE :

Le réservoir d'eau, l'élément chauffant et le tuyau ne peuvent pas être réparés. En cas de problème avec le vaporisateur, communiquez avec les services techniques de Wagner.

Enregistrement du produit

Enregistrement du produit en ligne sur le site www.wagnerspraytech.com.

Pièces et composants

Démarrer Pièces remplaçables :

Les pièces suivantes peuvent être commandées ou remplacées en appelant le soutien à la clientèle de Wagner :

Article	N° de pièce	Qté.
Plaquette de décolage	0282125	1
Buse d'éjection	0282124	1
Brosses	0282123	2
Rallonge	0282119	1
Raclior	0282118	1
Grande brosse de nettoyage	0282120	1
Chiffons pour la brosse de nettoyage	0282121	3
Entonnoir	0282776	1
Bouchon de remplissage	0520213	1

* Témoin lumineux :

Témoin lumineux vert et rouge allumés = l'appareil se réchauffe

Témoin lumineux vert allumé seulement = prêt à vaporiser pour décoller

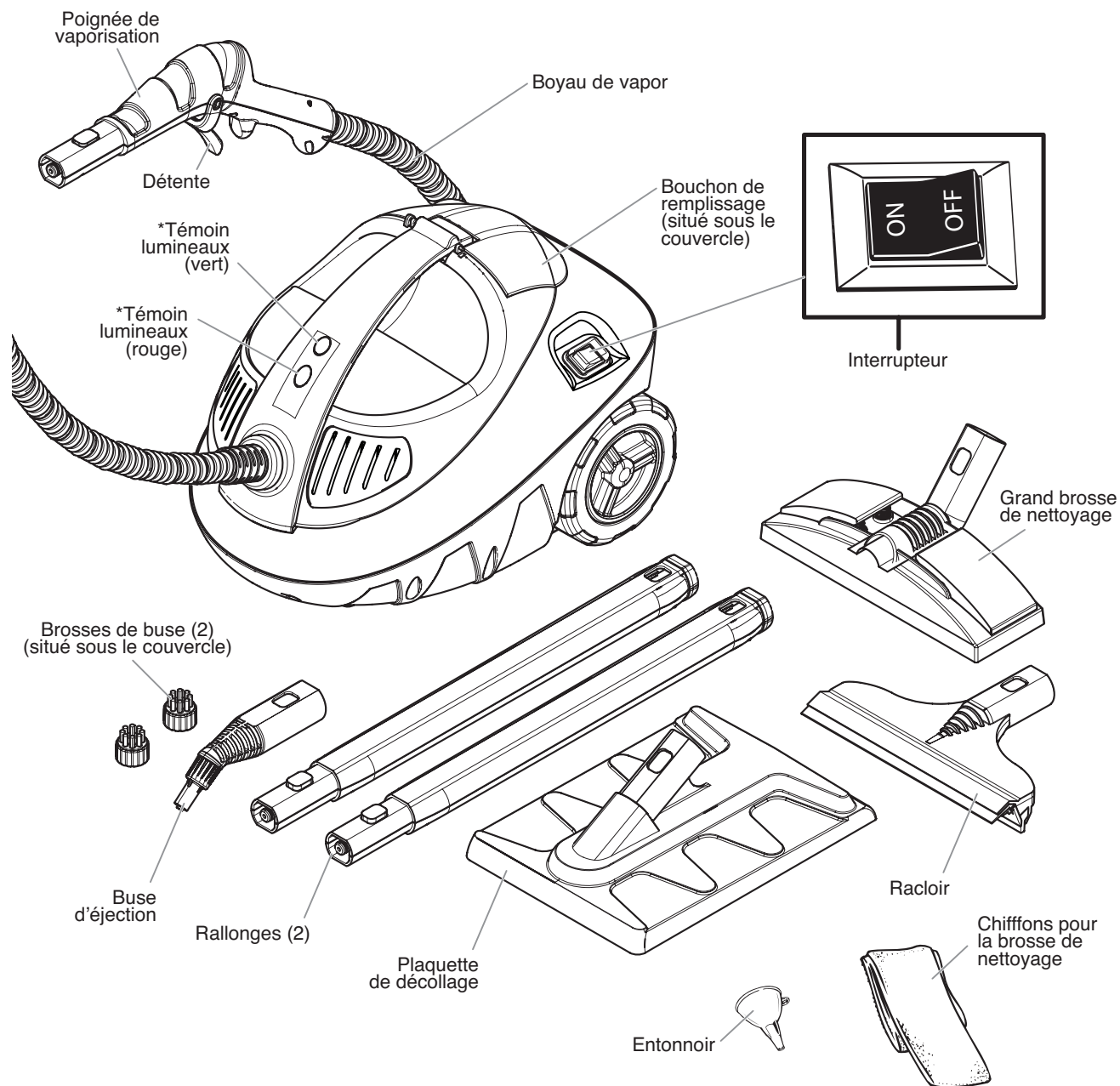
Besoin d'aide?

Appelez le service technique Wagner

1-800-727-4023

Enregistrement du produit sur le site :

www.wagnerspraytech.com



Montage

Démarrer

Avant de commencer :



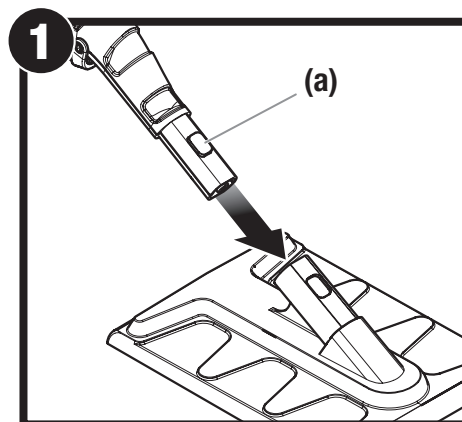
REMPLEZ LE VAPORISATEUR EN UTILISANT SEULEMENT DE L'EAU PROPRE. N'utilisez pas de produits de nettoyage domestique, d'eau de Javel ou d'autres produits chimiques avec cet appareil.



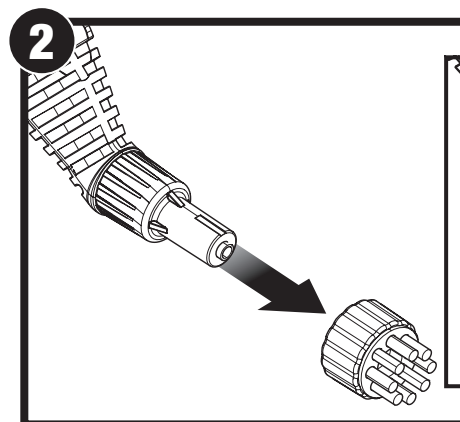
N'utilisez jamais plus de deux rallonges lorsque vous utilisez le vaporisateur.



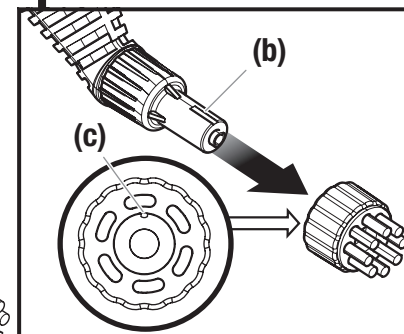
Ne fixez jamais de rallonges ou d'accessoires à l'appareil lorsqu'il émet de la vapeur.



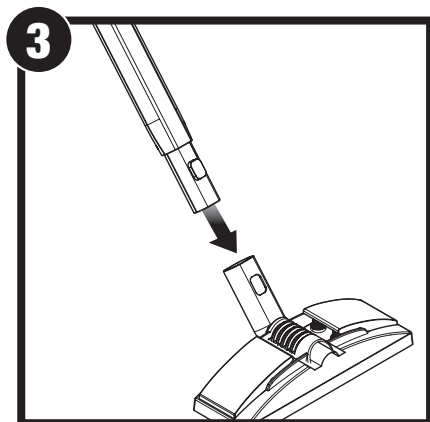
1. Enfoncez le bouton sur la poignée (a) et accouplez la plaquette de décollage, les rallonges ou l'accessoire de nettoyage au poignée de vaporisation.



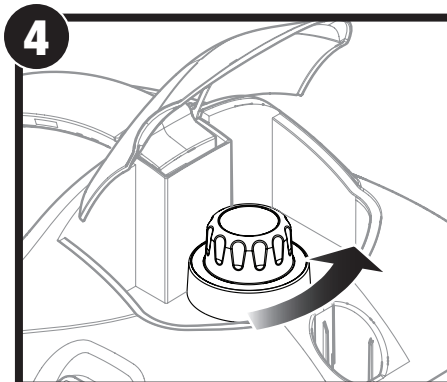
2. Si vous utilisez la buse d'éjection, installez la brosse sur la buse.



Remarque : En attachant la brosse sur la buse à la buse à jet conique creux, aligner l'entaille dans la buse à jet (b) avec le guide dans la brosse sur la buse (c).



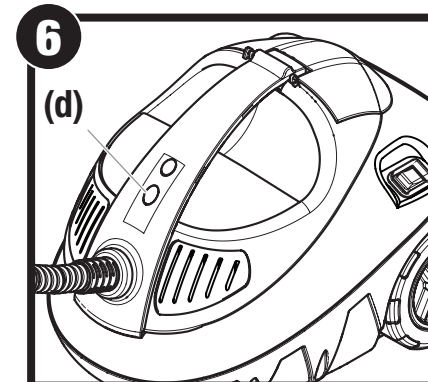
3. Si vous utilisez une rallonge, installez l'accessoire sur la rallonge.



4. Relevez le capuchon et dévissez soigneusement le bouchon. Au moyen de l'entonnoir et de la tasse graduée (pas inclus), remplissez le réservoir avec de l'eau propre du robinet (l'eau distillée est recommandée). **ÉVITEZ DE TROP REMPLIR.**

Quantité d'eau	Durée de vaporisation
0,5 l	15 min
1 l	30 min
1,4 l	45 min

5. Utilisez le tableau au-dessus pour déterminer la quantité d'eau dont vous aurez besoin en fonction de la durée d'utilisation du vaporisateur. Une fois le réservoir rempli avec la quantité d'eau requise, remplacez le bouchon et refermez le capuchon.



6. Branchez le cordon d'alimentation et mettez l'interrupteur à la position « Marche » (ON). Les deux témoins vert et rouge s'allumeront. Lorsque le témoin lumineux rouge (d) sur l'appareil s'éteint, vous pouvez commencer à vaporiser.

Remarque: Continuer à vaporiser quand la lumière rouge s'allume à nouveau.

Utilisation

Démarrer Avant de commencer :



Ne laissez pas le plateau de vaporisation sans surveillance ou face vers le bas contre toute surface.



Ne faites PAS fonctionner l'appareil lorsque le réservoir d'eau est vide. Assurez-vous de porter des gants et des lunettes de sécurité.



Avant de dévisser le bouchon et de remplir le réservoir, veillez à laisser l'eau restante à l'intérieur refroidir pendant au moins 20 minutes. Videz toute eau restante afin d'éviter de remplir le réservoir à l'excès.



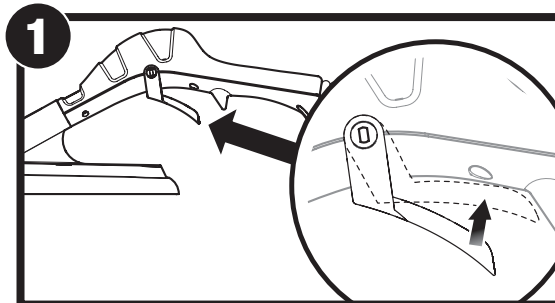
Ne pas examiner directement vers le bas le trou de suffisance en remplissant. Garder votre main libre et d'autres à une distance sûre.



Pendant l'utilisation, la poignée de vaporisation peut devenir chaud au toucher.

Remarque : Avant toute utilisation, gâchette de la poignée de vaporisation dans un évier ou un seau vide à éliminer toute l'eau froide.

Utilisation du détente

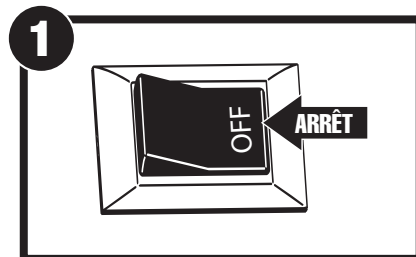


1. Vous pouvez contrôler le débit de vapeur qui s'échappe du accessoire en activant la détente.

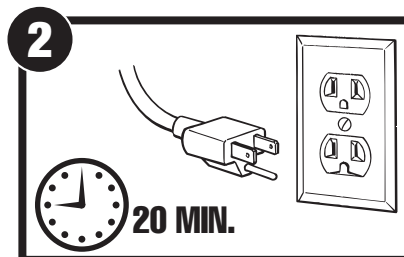
La détente libérera également la pression accumulée dans le système après son arrêt.

Remarque : Le fait de COUPER l'alimentation ne suffit pas pour diminuer la pression de vapeur. Pendant le refroidissement, manipuler l'appareil comme s'il était sous pression. Toujours activer la détente avant d'enlever le bouchon de remplissage.

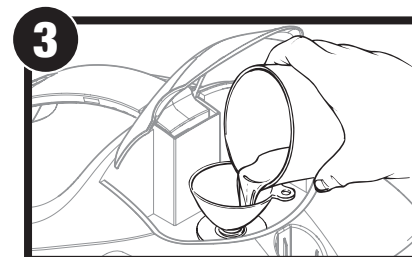
Refroidissement / remplissant



1. Éteignez l'appareil (OFF). Appuyez sur la détente jusqu'à ce qu'il n'y ait plus de pression.

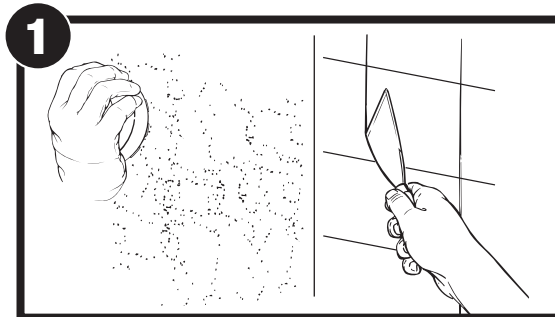


2. Débranchez le cordon d'alimentation. Laissez refroidir l'appareil au moins vingt (20) minutes.
* voir la NOTA, ci-dessus.

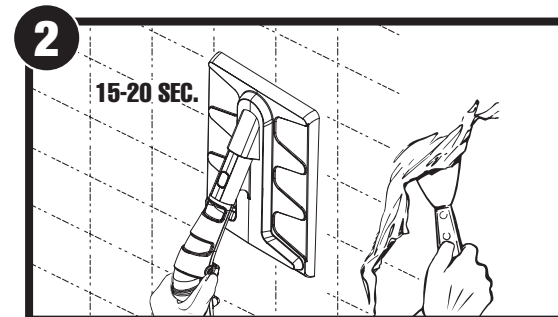


3. Une fois l'appareil suffisamment refroidi, répéter les étapes 4-6 dans L'Assemblage pour continuer.

Décollage du papier peint



1. Pour obtenir de meilleurs résultats, utilisez un couteau à mastic pour faire de légères rainures croisées (vendu séparément) sur le papier peint avant de le décoller. Ces perforations permettront à la vapeur de pénétrer dans le papier peint.



2. Pour enlever du papier peint, tenez la plaquette de décollage à plat contre la surface du papier peint éraflé. Appuyez sur la détente et tenez en place de 15 à 20 secondes. Déplacez le plateau de vaporisation sur une autre section et décollez la section traitée à la vapeur à l'aide d'une racleuse (vendu séparément).

Nettoyage à la vapeur

Remarques générales :

Utilisation de la vapeur sur des tissus délicats

Vérifiez toujours si les tissus peuvent être nettoyés à la vapeur. La vapeur est générée à une température supérieure à 100 °C (212 °F). Ne nettoyez pas à la vapeur les surfaces qui ne supportent pas cette température. Effectuez toujours un essai sur une petite surface du tissu, préférablement à un endroit qui se trouve hors de vue. Il est inutile d'imbiber les tissus que vous nettoyez d'eau. Une légère application de vapeur suffit. Vous trouverez ci-dessous de plus amples renseignements sur le nettoyage à la vapeur.



N'essayez PAS de vous servir de la plaquette de décollage pour le lavage. Elle a été conçue uniquement pour enlever le papier peint. Il n'est pas recommandé d'employer l'appareil sur des carreaux de vinyle auto-adhésifs.



La vapeur sous pression peut rebondir à partir de la surface de nettoyage.

- Il faut normalement moins d'eau pour nettoyer avec la buse d'éjection que pour enlever du papier peint. En employant moins d'eau, vous réduisez le temps nécessaire pour générer la vapeur.
- Appuyez sur la détente de manière à produire suffisamment de vapeur. Servez-vous des poils doux de la buse d'éjection pour enlever la saleté, la graisse, la peinture sèche, etc. Ne frottez pas trop la surface, sauf si vous nettoyez des carreaux ou de la pierre.
- N'employez que de l'eau propre du robinet ou l'eau distillée avec le nettoyeur à vapeur. Aucun détergent ou additif n'est requis.
- Lorsque vous nettoyez des tissus d'ameublement ou des vêtements, ne trempez pas le matériel. Faites un essai en lavant une surface qui n'est pas visible et attendez 24 heures avant de vérifier si le nettoyage a endommagé le matériel. Si le matériel a été endommagé, n'allez pas plus loin!

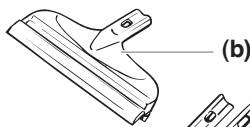
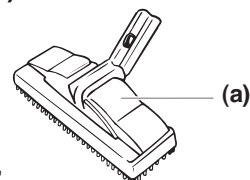
Utilisation des accessoires de nettoyage :

Ce sont d'excellents outils pour nettoyer toutes sortes de surfaces.

Remarque: Il faut normalement moins d'eau pour laver avec les accessoires de nettoyage que pour enlever du papier peint. En employant moins d'eau, vous réduisez le temps nécessaire pour générer la vapeur.

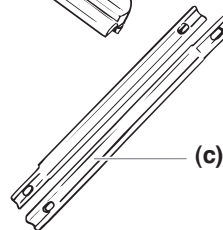
Grande brosse de nettoyage (a)

Vous pouvez employer la grande brosse de nettoyage, ainsi qu'un chiffon, pour laver de grandes surfaces, des surfaces dures ou des tissus d'ameublement. Vous pouvez vous en servir sur la céramique, la pierre, les parquets en marqueterie, le marbre, le linoléum et les moquettes (veuillez lire les **Conseils sur le nettoyage à la vapeur** ci-dessous avant de commencer).



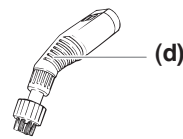
Racloir de vitres ou de carreaux (b)

Le racloir est un excellent outil pour nettoyer les vitres et les carreaux. On peut se servir de la lame de caoutchouc pour enlever la saleté et les autres particules pendant que l'on applique la vapeur.



Rallonges (c)

Vous pouvez vous servir d'une rallonge pour laver les planchers ou pour atteindre des endroits élevés ou difficiles d'accès. Ne pas utiliser plus de 2 extensions.



Buse d'éjection avec brosse (d)

Il est recommandé d'employer la buse d'éjection pour nettoyer à la vapeur des surfaces restreintes ou difficiles d'accès.

Conseils de nettoyage à la vapeur – À lire avant de commencer

Planchers et moquettes :

- Cet appareil n'est pas recommandé sur les surfaces qui peuvent être endommagées par la chaleur et l'eau, comme les tuiles de vinyle autoadhésives ou les planchers de bois car la vapeur peut faire gonfler les planches. Vérifiez toujours auprès du fabricant de plancher avant d'utiliser le vaporisateur.

- Certaines moquettes ont reçu un traitement antitaches sur lequel la vapeur pourrait avoir une incidence. Faites un essai sur une petite section non visible de la moquette, puis attendez 24 heures avant de vérifier si l'application de vapeur a eu un effet indésirable. Le cas échéant, n'allez pas plus loin. Veuillez consulter votre fournisseur de moquette pour obtenir plus de renseignements.

Fenêtres et carreaux :

- Faites attention à ne pas traîner des saletés ou de grosses particules avec la lame de caoutchouc, car cela pourrait rayer le verre.
- Le verre antique et les vitraux peuvent être fragiles et se fêler s'ils sont soumis à des températures excessives.
- N'employez pas l'appareil sur du verre si la température est inférieure à 0° C (32° F). Le verre risque de craquer à basse température.
- Si votre fenêtre a reçu un traitement quelconque ou qu'elle comporte un enduit, vérifiez auprès du fabricant avant d'utiliser le nettoyeur à vapeur.

Tissus et tissus d'ameublement :

- Certains tissus ont reçu un traitement antitaches sur lequel la vapeur pourrait avoir un effet indésirable. Faites un essai sur une petite section non visible, puis attendez 24 heures avant de vérifier si cela a eu un effet indésirable. Le cas échéant, n'allez pas plus loin. Veuillez consulter ensuite le fournisseur visé pour obtenir plus de renseignements.
- Assurez-vous toujours que les matériaux que vous désirez laver à la vapeur conviennent à ce type de nettoyage. N'utilisez pas l'appareil sur des surfaces qui ne peuvent tolérer une température supérieure à 100° C (212° F).
- Quant aux vêtements, vérifiez l'étiquette de fabrication ou consultez un détaillant avant de les nettoyer à la vapeur.
- Lorsque vous lavez des tissus d'ameublement ou des vêtements, ne trempez pas le matériel. Une petite quantité de vapeur suffit pour le nettoyage. Une utilisation de vapeur excessive peut laisser des traces d'eau ou causer d'autres dommages.

General:

- Appuyez sur la détente de manière à produire suffisamment de vapeur. Servez-vous des poils doux de la buse d'éjection pour enlever la saleté, la graisse, la peinture sèche, etc. Ne frottez pas trop la surface sauf si vous nettoyez des carreaux ou de la pierre.
- N'employez que de l'eau propre du robinet ou l'eau distillée avec le nettoyeur à vapeur. Aucun détergent ou additif n'est requis.
- Ce manuel contient des instructions détaillées. Observez tous les avertissements.

Lorsque vous avez fini de décoller

Rangement :

Une fois le travail terminé, suivez les étapes ci-dessous pour ranger l'appareil.

1. Éteignez l'appareil (OFF).
2. Activez la gâchette jusqu'à ce que toute la pression ait été expulsée.
3. Débranchez le cordon d'alimentation.
4. Laissez le vaporisateur refroidir pendant au moins 20 minutes.
5. Activer la détente pour libérer la pression. Retirez tous les accessoires fixés au poignée de vaporisation.
6. Videz le réservoir de toute eau restante afin d'éviter de trop le remplir lors de la prochaine utilisation. **NE rangez JAMAIS l'appareil avec de l'eau dans le récipient.**
7. Rangez l'appareil dans un endroit frais et sec.

IMPORTANT : TOUJOURS ranger l'appareil vide.

IMPORTANT : NE JAMAIS ranger l'appareil à des endroits où les températures sont inférieures à 40 °F (4 °C).

Entretien :

Avec le temps, des dépôts minéraux peuvent s'accumuler dans le réservoir en raison de la haute teneur en minéraux de la plupart des sources d'approvisionnement d'eau locales. Vous pouvez éviter cette accumulation de minéraux en utilisant de l'eau distillée. Si vous ne pouvez pas utiliser d'eau distillée, suivez les étapes ci-dessous pour enlever les dépôts. Il est recommandé d'accomplir ces étapes régulièrement.


1. Suivez les étapes 1 à 6 de la section Rangement, au gauche.
2. Au moyen de la tasse graduée, mélangez 227 ml (8 oz) de vinaigre et 227 ml (8 oz) d'eau.
3. Videz lentement la solution vinaigre et eau dans le réservoir.
4. Laissez la solution agir pendant au moins 30 minutes.
5. Videz le réservoir.
6. Rincez-le avec de l'eau fraîche et videz-le. Répétez cette étape jusqu'à ce que l'odeur de vinaigre ait disparu.
7. Remplacez le bouchon et rangez l'appareil dans un endroit frais et sec.

Información importante sobre seguridad

 **Lea toda la información de seguridad antes de operar el equipo. Guarde estas instrucciones.**

Para reducir los riesgos de incendios, explosiones, descargas eléctricas o lesiones a las personas, lea y entienda todas las instrucciones incluidas en este manual. Familiarícese con los controles y el uso adecuado del equipo.

 Indica una situación peligrosa que, de no evitarse, puede causar la muerte o lesiones graves.

 **NO LLENE EL GENERADOR DE VAPOR CON NINGÚN LÍQUIDO SALVO AGUA LIMPIA.** No use limpiadores domésticos, blanqueador o ninguna otra sustancia química con este generador de vapor. Esto puede provocar una situación peligrosa y generar una explosión.

PELIGRO: Piezas y vapor calientes. Pueden causar lesiones, como quemaduras en la piel o daños a la propiedad. Las temperaturas superan los 212 °F (100 °C).



PREVENCIÓN:

- Manténgase alejado del vapor y la superficie de la placa de vapor. NO coloque la mano delante de la placa de vapor.
- Las gotas de agua están calientes y pueden quemar la piel. Sea muy precavido cuando use la placa de vapor por encima de la cabeza y vacíe regularmente el agua de la placa de vapor. Use protección para los ojos y guantes cuando use este vaporizador.
- Durante el uso, la mango de vapor puede estar caliente al tacto.
- Deje que las piezas se enfríen antes de cambiar los accesorios o de abrir la tapa de llenado.
- Nunca apunte a nadie con la placa de vapor ni con los accesorios.
- El agua caliente puede salir de los accesorios cuando el gatillo esté activado.
- NO sobrecargue el contenedor de agua.
- NO estire ni pliegue la manguera. Nunca repare una manguera dañada.

PELIGRO: Incendio. Puede ocasionar lesiones graves o daños a la propiedad.



PREVENCIÓN:

- NO permita que el agua se evapore hasta secarse porque el aparato se podría sobrecalentar e incendiar.
- NO permita que entre agua ni vapor en los interruptores de la luz ni en los enchufes.

PELIGRO: Descarga eléctrica. Puede causar lesiones graves.



PREVENCIÓN:

- El cable de alimentación debe conectarse a un tomacorriente conectado a tierra (de 3 patas).
- NO use la unidad si el cable de alimentación está gastado o dañado. Nunca repare un cable de alimentación.
- NO tire del contenedor de agua por el cable de alimentación.
- NO permita que entre agua ni vapor en los interruptores de la luz ni en los enchufes.

PELIGRO: General. Puede ocasionar lesiones o daños a la propiedad.

PREVENCIÓN:

- NO modifique piezas ni componentes. Nunca repare piezas dañadas ni gastadas.
- El contenedor de agua debe estar colocado en posición vertical sobre una superficie resistente y nivelada.
- Mantenga el vaporizador eléctrico fuera del alcance de los niños.
- NUNCA deje el vaporizador eléctrico sin supervisión.
- Lea todas las instrucciones y las advertencias antes de cada uso.

Instrucciones de toma a tierra

Este producto debe instalarse con toma a tierra. En caso de cortocircuito eléctrico, la toma a tierra reduce el riesgo de descargas eléctricas mediante un cable de escape para la corriente eléctrica. Este producto está equipado con un cable que tiene un cable con toma a tierra y un enchufe adecuado con toma a tierra. El enchufe debe conectarse a un tomacorriente que esté apropiadamente instalado y conectado a tierra de acuerdo con todos los códigos y ordenanzas locales.

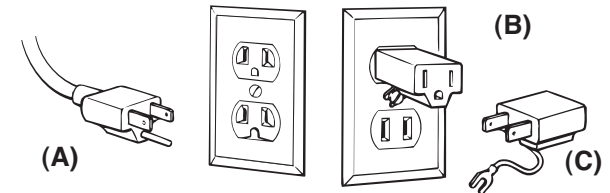
ADVERTENCIA - La instalación inadecuada del enchufe con toma a tierra puede producir riesgos de descarga eléctrica.

Si es necesario reparar o reemplazar el cable eléctrico o el enchufe, llévelo para que lo reemplacen en el Centro de Servicio Autorizado de Wagner más cercano.

Consulte con un electricista calificado o con personal técnico si no comprende completamente las instrucciones sobre la toma a tierra o si tiene alguna duda acerca de si la herramienta tiene una toma a tierra adecuada. No modifique el enchufe provisto; si no se ajusta al tomacorriente, haga que un electricista calificado instale el tomacorriente correspondiente.

Cables de extensión

Utilice sólo un cable de extensión de tres alambres que tenga un enchufe con toma de tierra de 3 patas y un enchufe hembra de 3 ranuras que admita el enchufe del producto. Asegúrese de que el cable de extensión se encuentre en buen estado. Cuando utilice un cable de extensión, asegúrese de que tenga la resistencia necesaria para transmitir la corriente que utilizará el producto. Un cable de extensión inadecuado ocasionará una baja en el voltaje de línea, lo que provocará una pérdida de energía y recalentamiento. Para longitudes de hasta 100 pies, use cables de extensión 14 AWG.



Reinicio del fusible térmico de seguridad

Siempre llene la unidad antes de enchufarla. Si enchufa el vaporizador antes de llenarlo con agua o si deja que el vaporizador funcione en seco, se activará un fusible térmico de seguridad, que hará que la unidad se apague. Si esto ocurre, desenchufe la unidad y déjela enfriar durante al menos 10 minutos. El fusible de seguridad se reiniciará automáticamente.

NOTA: El contenedor de agua, el componente de calefacción y la manguera no se reparan. Si ocurriera algún problema con el vaporizador, comuníquese con el Servicio Técnico de Wagner.

Registro del producto

Regístrelo del producto en línea en www.wagnerspraytech.com.

Piezas y componentes

Iniciar **Piezas que se pueden reemplazar:**

Estas piezas se pueden ordenar o reemplazar llamando al Servicio al Cliente de Wagner:

Artículo	Pieza #	Cant.
Placa de vapor	0282125	1
Boquilla de chorro	0282124	1
Cepillos	0282123	2
Extensión	0282119	1
Escobilla	0282118	1
Cepillo de limpieza grande	0282120	1
Trapos y cepillos de limpieza	0282121	3
Embudo	0282776	1
Tapa de llenado	0520213	1

*Luces indicadoras:

Luces verde y rojo encendidas = La unidad se está calentando

Sólo luz verde encendida = La unidad está lista para generar vapor

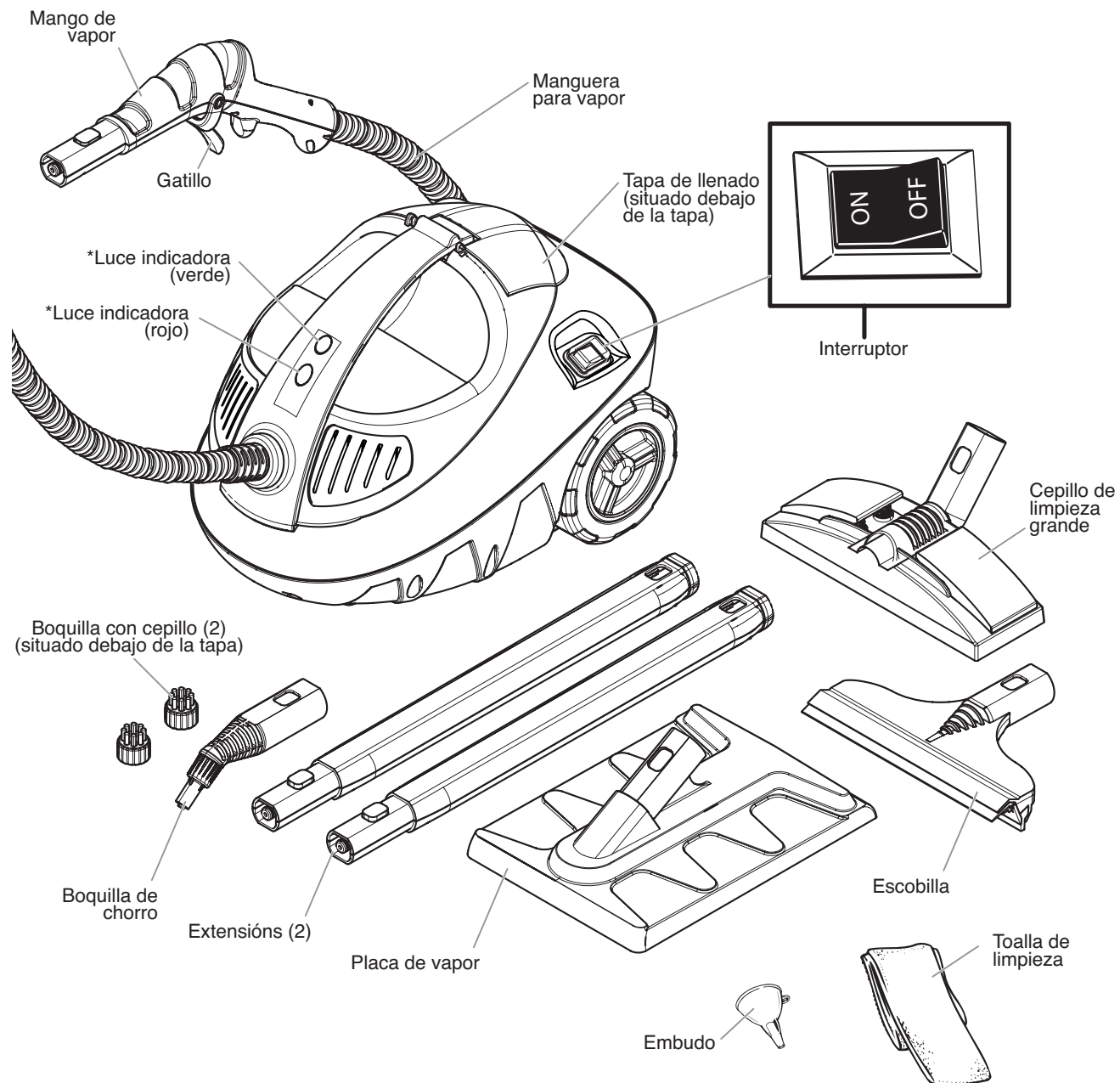
¿Necesita ayuda?

Llame Wagner Technical Service al:

1-800-727-4023

Regístrelo del producto en línea en:

www.wagnerspraytech.com



Montaje

Iniciar Antes de comenzar:



NO LLENE EL GENERADOR DE VAPOR CON NINGÚN LÍQUIDO SALVO AGUA LIMPIA. No use limpiadores domésticos, blanqueador o ninguna otra sustancia química con este generador de vapor.

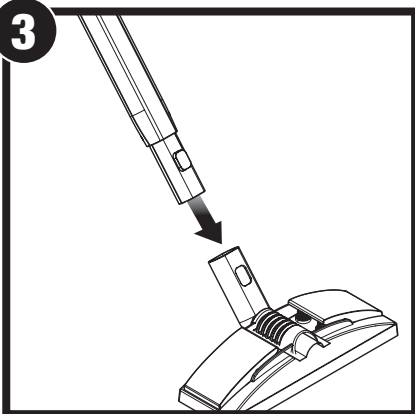


Nunca use más de dos extensiones cuando utilice el vaporizador.



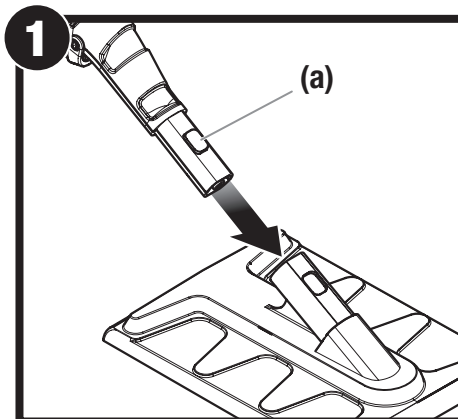
Nunca coloque las extensiones o accesorios mientras la unidad esté emitiendo vapor.

3



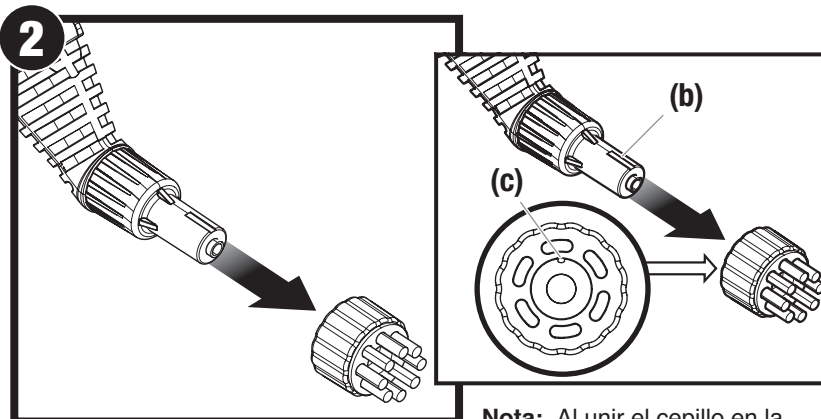
3. Si usa una extensión, conecte el accesorio a la extensión.

1



1. Presione el botón del mango (a) y conecte la placa de vapor, las extensiones o el accesorio de limpieza en el mango de vapor.

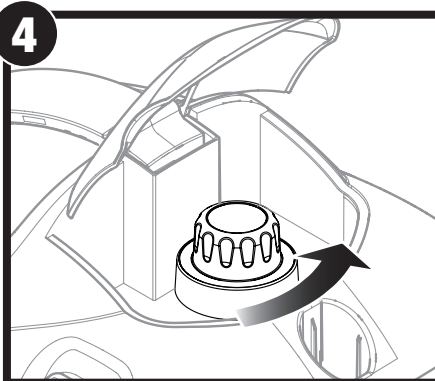
2



2. Si usa una boquilla de chorro, ensamble el cepillo en la boquilla.

Nota: Al unir el cepillo en la boquilla al boquilla de chorro, alinear la muesca en el boquilla de chorro (b) con la guía en el cepillo en la boquilla (c).

4



4. Levante la tapa de la tapa de llenado y desenrosque cuidadosamente la tapa de llenado.

Con el embudo y la taza medidora (no incluido), llene el vaporizador con agua de grifo limpia (se recomienda el uso de agua destilada). **NO LO LLENE DE MÁS.**

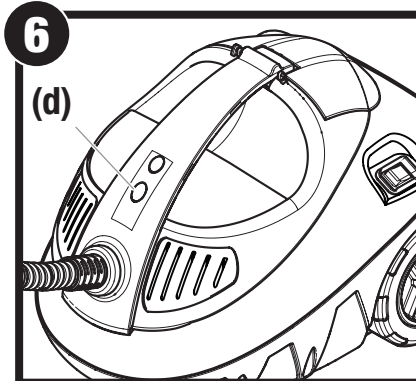
5

Cantidad de agua	Tiempo de vapor
0,5 l	15 min
1 l	30 min
1,4 l	45 min

5. Use la tabla más arriba como guía para determinar la cantidad de agua que necesitará basándose en el tiempo durante el que necesite utilizar el vaporizador.

Vuelva a colocar la tapa de llenado y cierre la tapa de la tapa de llenado una vez que el depósito contenga la cantidad de agua deseada.

6



6. Conecte el cable de alimentación y gire el interruptor a la posición de encendido (ON). Se encenderán las luces indicadoras verde y rojo. Una vez que la luz indicadora de color rojo (d) del contenedor se apague, estará listo para comenzar con la vaporización.

Nota: Continuar en vaporización cuando la luz roja se enciende de nuevo.

Uso

Iniciar Antes de comenzar:



No deje la placa de vapor sin supervisión, ni la apoye hacia abajo en ninguna superficie.



NO utilice el vaporizador una vez que el contenedor de agua esté vacío. Asegúrese de usar guantes y protección para los ojos.



Antes de desenroscar la tapa de llenado y llenar el depósito, asegúrese de que toda el agua restante se haya enfriado durante al menos veinte (20) minutos. Retire el agua restante para evitar que rebase.



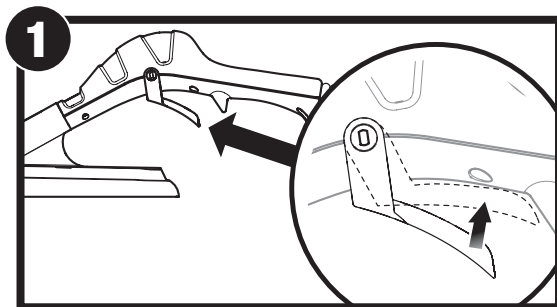
No mirar directamente abajo en el agujero del terraplén al llenar. Guardar tu mano libre y otras en una distancia de seguridad.



Durante el uso, la mango de vapor puede estar caliente al tacto.

Nota: Antes de su uso, apriete el gatillo de la mango de vapor en un lavabo o un balde vacío para eliminar cualquier resto de agua fría.

Usando el gatillo

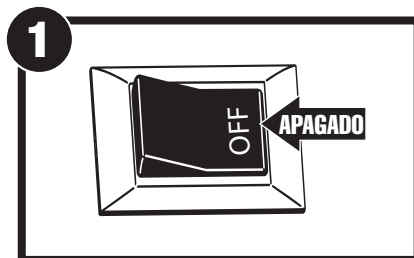


1. Para controlar el flujo de vapor proveniente de la accesorio active el gatillo.

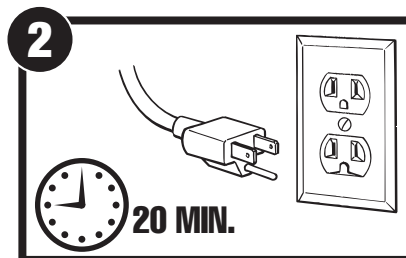
El gatillo también aliviará toda la presión acumulada que quede en el sistema luego de apagar el generador de vapor.

Nota: Si solamente se CORTA la energía, no se libera la presión del vapor. Durante el enfriamiento, trate la unidad como si estuviera con presión. Siempre presione el gatillo antes de retirar la tapa de llenado.

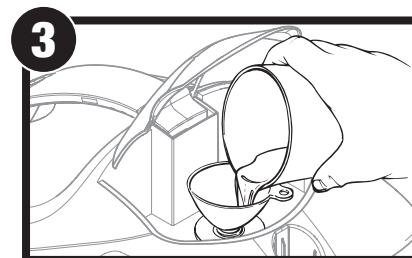
Enfriado / que rellena



1. Apague la unidad (OFF).
Presione el gatillo hasta que se haya liberado toda la presión.

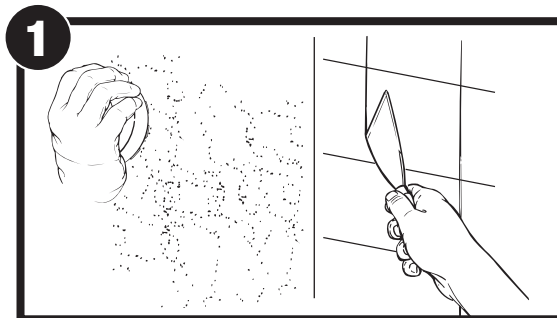


2. Desenchufe el cable de alimentación.
Deje que el vaporizador se enfríe durante al menos veinte (20) minutos.
* referirse a la NOTA, anterior.

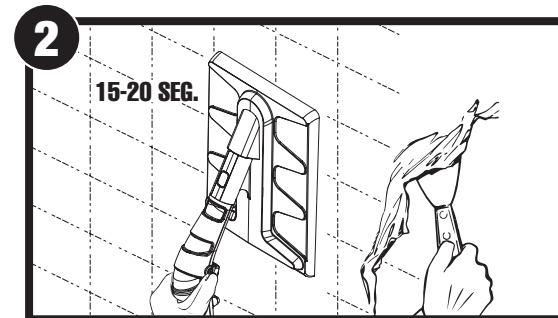


3. Una vez que la unidad se haya enfriado lo suficiente, repetir los pasos 4-6 en la Preparación para continuar.

Remoción de papel tapiz



1. Para obtener mejores resultados, utilice una herramienta marcadora o una espátula (se vende por separado) para masilla y marque suavemente el papel tapiz formando un diseño entrecruzado antes de retirarlo. Las perforaciones permitirán que el vapor penetre en el papel tapiz.



2. Para retirar el papel para tapizar paredes, sostenga la placa de vapor a ras contra el papel para tapizar mellado. Presione el gatillo y manténgalo presionado durante 15 a 20 segundos. Mueva la placa de vapor hacia otra sección y quite la sección vaporizada con la hoja del descarnador (se vende por separado).

Limpieza con vapor

Notas Generales:

Cómo usar vapor en materiales delicados

Compruebe siempre que los materiales se puedan limpiar con vapor antes de realizar este tipo de limpieza. El vapor se genera a temperaturas que superan los 212°F (100 °C). No use la unidad en superficies que no toleren esta temperatura. Pruebe siempre en un área pequeña de material, preferentemente en un área que normalmente no esté a la vista. No moje los materiales que va a limpiar. Sólo hace falta una leve aplicación de vapor. Consulte abajo para obtener más información sobre la limpieza con vapor.



NO intente usar la placa de vapor incluida en esta unidad como dispositivo de limpieza. La placa de vapor fue diseñada sólo para quitar papel tapiz. Se recomienda no usar esta unidad en losas de vinilo autoadhesivas.



El vapor presurizado puede rebotar contra la superficie de limpieza.

- El uso de la boquilla de chorro para limpiar generalmente requiere menos agua que la necesaria para quitar papel tapiz. El uso de menos agua reducirá el tiempo necesario para que la unidad genere vapor. Para usar el accesorio de boquilla de chorro, siga estas instrucciones.
- Presione el gatillo tanto como sea necesario para obtener un suministro de vapor suficiente. Use las cerdas suaves de la boquilla de chorro para limpiar suciedad, grasa, pintura seca no deseada, etc. No restriegue demasiado la superficie a menos que esté limpiando losas o piedra.
- Para el vaporizador use sólo agua de grifo o el agua destilada limpia. No se necesitan detergentes ni ningún otro aditivo.
- Cuando limpie tapizados o ropa, no moje el material. Trate de limpiar un área que pase desapercibida y que normalmente no esté a la vista. Espere 24 horas antes de comprobar si el material se ha visto afectado. Si el material se ve afectado de manera adversa, **NO CONTINUE**.

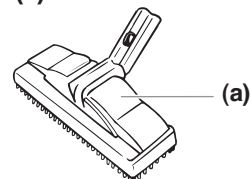
Usando des accesorios de limpieza:

Los accesorios son excelentes herramientas para limpiar toda una variedad de superficies.

NOTA: El uso de los accesorios opcionales para limpiar generalmente requiere menos agua que la necesaria para quitar papel tapiz. El uso de menos agua reducirá el tiempo necesario para que la unidad genere vapor.

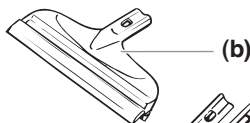
El Cepillo de Limpieza Grande (a)

El cepillo de limpieza y secado grande se puede usar para limpiar áreas grandes y sólidas o tapizados. Se puede usar en superficies como cerámica, piedra, parquet, mármol, linóleo y alfombra (antes de realizar la limpieza, consulte los Consejos para Limpiar con Vapor que se encuentran a continuación).



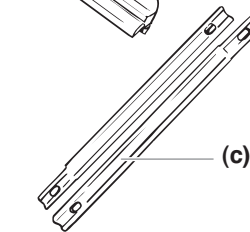
Escobilla para Ventanas y Losa (b)

La escobilla es una excelente herramienta para limpiar ventanas y también losas. La espátula de goma se puede usar para limpiar la suciedad y otras partículas, raspando a medida que se aplica el vapor.



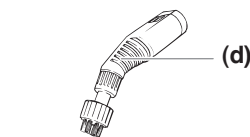
Las Extensiones (c)

Las extensiones se pueden usar para limpiar pisos y como ayuda para llegar a áreas más altas y más difíciles de alcanzar. No use más de 2 extensiones.



Boquilla de chorro con cepillo (d)

Se recomienda usar la boquilla de chorro para limpiar con vapor áreas más pequeñas y difíciles de alcanzar.



Consejos para limpiar con vapor (lea las indicaciones antes de comenzar)

Pisos y Alfombras:

- No se recomienda usar esta unidad sobre superficies que puedan dañarse con el calor o el agua, como las losas de vinilo autoadhesivas, o en pisos de madera, porque el vapor puede hinchar las tablas del piso. Consulte siempre al fabricante del piso antes de usar el vaporizador.
- Algunas alfombras tienen tratamientos para resistir

las manchas que pueden resultar afectados por la limpieza con vapor. Trate de limpiar primero una pequeña área de la alfombra que normalmente pase desapercibida y espere 24 horas para comprobar que la limpieza no surta un efecto inesperado en la alfombra. Si se produce dicho efecto, no utilice el vaporizador. Para obtener más información, consulte con el proveedor de su alfombra.

Ventanas y Losas:

- Tenga cuidado de no arrastrar partículas de suciedad o arena con la espátula de goma porque podría rayar el vidrio.
- Los vidrios antiguos o con efecto manchado pueden ser quebradizos y se pueden rajarse bajo temperaturas extremas.
- No use la unidad sobre vidrio cuando la temperatura sea inferior a 32 °F (0 °C). El vidrio se puede quebrar si se lo somete a bajas temperaturas.
- Si su ventana tiene un tratamiento o algún tipo de revestimiento, consulte con el fabricante antes de usar el vaporizador.

Tapizados y Telas:

- Algunas alfombras y telas tienen tratamientos para resistir las manchas que pueden resultar afectados por la limpieza a vapor. Trate de limpiar áreas pequeñas que normalmente pasen desapercibidas y espere 24 horas para comprobar que la limpieza no surta un efecto inesperado. Si se produce dicho efecto, deje de usar la unidad. Para obtener más información, consulte con el proveedor del material.
- Compruebe siempre que los materiales se puedan limpiar con vapor antes de realizar este tipo de limpieza. No use la unidad en superficies que no toleren temperaturas que superen los 212 °F (100 °C).
- Antes de limpiar ropa con vapor, revise siempre la etiqueta de la prenda o consulte con el minorista donde compró la ropa.
- Cuando limpie tapizados o ropa, no moje el material. Sólo una cantidad pequeña de vapor es suficiente para la limpieza. Demasiado vapor puede dejar marcas de agua o producir otros daños.

General:

- Presione el gatillo tanto como sea necesario para obtener un suministro de vapor suficiente. Use las cerdas suaves de los accesorios para limpiar suciedad, grasa, pintura seca no deseada, etc. No restriegue demasiado la superficie a menos que esté limpiando losas o piedra.
- Para el vaporizador use sólo agua de grifo o el agua destilada limpia. No se necesitan detergentes ni ningún otro aditivo.
- Lea las instrucciones completas de este manual. Respete todas las advertencias.

Cuando termine de generar vapor

Almacenamiento:

Cuando haya terminado con su trabajo de vaporización, siga los pasos a continuación para guardar la unidad.

1. APAGUE la unidad (OFF).
2. Presione el gatillo hasta que se haya liberado toda la presión.
3. Desenchufe el cable de alimentación.
4. Deje que el vaporizador se enfríe durante al menos veinte (20) minutos.
5. Presione el gatillo para liberar la presión. Quite todos los accesorios del mango del vapor.
6. Elimine todo resto de agua que haya quedado en el depósito para evitar que se rebase la próxima vez que use el vaporizador. **NUNCA guarde la unidad con agua en el contenedor.**
7. Coloque la unidad en un lugar fresco y seco.

IMPORTANTE: SIEMPRE guarde la unidad vacía.

IMPORTANTE: NUNCA guarde la unidad en temperaturas inferiores a 4° C (40° F).

Mantenimiento:

Con el tiempo, se pueden acumular minerales en el depósito debido al alto contenido de minerales que se encuentra en la mayoría de los suministros de agua locales. Una manera de evitar esto es utilizar agua destilada en el vaporizador. Si no puede utilizar agua destilada, siga los pasos a continuación para quitar la acumulación de minerales. Se recomienda que estos pasos se realicen de manera periódica.

1. Siga los pasos 1 a 6 en Cómo Guardar (la izquierda).
2. Utilizando la taza medidora, mezcle 8 onzas de vinagre y 8 onzas de agua.
3. Lentamente, vierta la mezcla de agua y vinagre en el depósito.
4. Deje la unidad en reposo durante al menos treinta (30) minutos.
5. Elimine la mezcla de agua y vinagre del depósito.
6. Enjuague el depósito con agua fresca y séquelo. Repita el procedimiento hasta que desaparezca el olor del vinagre.
7. Vuelva a colocar la tapa de llenado y almacene la unidad en un lugar fresco y seco.

Wagner One Year Limited Warranty

KEEP ON FILE

This product manufactured by Wagner Spray Tech Corporation (Wagner), is warranted to the original retail purchaser against defects in material and workmanship for one year from date of purchase if operated in accordance with Wagner's printed recommendations and instructions. This product is designed for home use only. If this product is used for professional/rental purposes, this warranty applies only for 30 days from date of purchase.

This warranty does not cover damage resulting from improper use, accidents, user's negligence or normal wear. This warranty does not cover defects or damages caused by service or repair performed by anyone other than a Wagner Authorized Service Center. This warranty does not apply to accessories.

ANY IMPLIED WARRANTY OF MERCHANTABILITY OR FITNESS FOR A PARTICULAR PURPOSE IS LIMITED TO ONE YEAR FOR HOME USE AND 30 DAYS FOR PROFESSIONAL/RENTAL USE FROM DATE OF PURCHASE.

WAGNER SHALL NOT IN ANY EVENT BE LIABLE FOR ANY INCIDENTAL OR CONSEQUENTIAL DAMAGES OF ANY KIND, WHETHER FOR BREACH OF THIS WARRANTY OR ANY OTHER REASON.

If any product is defective in material and/or workmanship during the applicable warranty period, return it with proof of purchase, transportation prepaid to any Wagner Authorized Service Center. Contact Wagner Technical Service at 1770 Fernbrook Lane, Plymouth, MN 55447 or telephone 1-800-727-4023 for authorized service center locations. Wagner's Authorized Service Center will either repair or replace the product (at Wagner's option) and return it to you, postage prepaid.

Some states do not allow limitations on how long an implied warranty lasts or the exclusion of incidental or consequential damages, so the above limitation and exclusion may not apply to you.

This warranty gives you specific legal rights and you may also have other rights which vary from state to state.

Garantie limitée d'une année de la société Wagner

GARDEZ DANS VOS DOSSIERS

Ce produit, fabriqué par la société Wagner Spray Tech (« Wagner »), est garanti au premier acheteur au détail contre toute défectuosité de matériau ou d'exécution, pour une période d'une année à compter de la date d'achat, pourvu que l'on se serve du produit en suivant les recommandations et consignes écrites de Wagner. Ce produit est destiné à l'usage domestique seulement. Si on l'utilise pour des fins professionnelles ou pour la location, la présente garantie ne s'applique que pendant une période de 30 jours à compter de la date d'achat.

La présente garantie ne s'applique pas aux dégâts entraînés par une utilisation incorrecte, par un accident, par la négligence de l'utilisateur ou par l'usure normale. La présente garantie ne s'applique non plus aux défectuosités ou dommages résultant de l'entretien ou de la réparation que fait une personne quelconque qui ne soit pas membre d'un centre d'entretien agréé de Wagner. La présente garantie ne s'applique pas aux accessoires.

TOUTE GARANTIE IMPLICITE DE QUALITÉ MARCHANDE OU D'ADAPTATION À UN USAGE PARTICULIER EST LIMITÉE À UNE PÉRIODE D'UNE ANNÉE POUR L'UTILISATION DOMESTIQUE ET DE 30 JOURS POUR UNE UTILISATION PROFESSIONNELLE OU DE LOCATION, À COMPTER DE LA DATE D'ACHAT.

WAGNER NE SERA EN AUCUN CAS RESPONSABLE DE DOMMAGES ACCESSOIRES OU INDIRECTS DE QUELQUE NATURE QUE CE SOIT, À LA SUITE D'UNE INOBSERVATION DE LA PRÉSENTE GARANTIE OU POUR UNE AUTRE RAISON QUELCONQUE.

Si un produit est défectueux en ce qui concerne les matériaux ou l'exécution pendant la période de garantie applicable, vous devez le retourner, avec une preuve d'achat et frais de port payés, à n'importe quel centre d'entretien agréé de Wagner. Pour connaître l'emplacement des centres d'entretien agréés de la société, communiquez avec le service technique de Wagner au 1770 Fernbrook Lane, Plymouth, MN 55447 USA, ou téléphonez au 1-800-727-4023. Le centre d'entretien agréé de Wagner réparera ou remplacera le produit (à la discrétion de Wagner) et vous le retournera par la poste, avec frais de port payés.

Certaines provinces interdisent les restrictions sur la durée d'une garantie implicite ou l'exclusion des dommages accessoires ou indirects. Il se peut donc que la restriction et l'exclusion énoncées ci-dessus ne s'appliquent pas à vous.

Le présente garantie vous accorde des droits juridiques spécifiques, et vous avez peut-être d'autres droits, qui peuvent varier d'une province à l'autre.

Garantía limitada de un año de Wagner

MANTENGALA ARCHIVADA

Este producto fabricado por Wagner Spray Tech Corporation (Wagner) es garantizado al comprador original al por menor contra defectos en el material y la mano de obra por un año a partir de la fecha de compra si se opera siguiendo las recomendaciones e instrucciones impresas de Wagner. Este producto ha sido diseñado solamente para uso doméstico. Si se usa para propósitos profesionales o de alquiler, esta garantía se aplica solamente por 30 días a partir de la fecha de compra.

Esta garantía no cubre daños que resulten del uso inadecuado, accidentes, negligencia del usuario o desgaste normal. Esta garantía no cubre defectos ni daños causados en mantenimiento o reparaciones realizados por alguien que no sea un Centro de Servicio Autorizado por Wagner. Esta garantía no se aplica a los accesorios.

TODA GARANTIA IMPLICITA DE COMERCIABILIDAD O APTITUD PARA UN PROPOSITO PARTICULAR ESTA LIMITADA A UN AÑO PARA USO DOMESTICO Y A TREINTA DIAS PARA USO PROFESIONAL O DE ALQUILER A PARTIR DE LA FECHA DE COMPRA.

WAGNER NO SERA RESPONSABLE BAJO NINGUNA CIRCUNSTANCIA POR NINGUN DAÑO INCIDENTAL O INDIRECTO DE NINGUNA CLASE, YA SEA POR VIOLACION DE ESTA GARANTIA O CUALQUIER OTRA RAZON.

Si cualquier producto resulta defectuoso en sus materiales y/o mano de obra durante el periodo de garantía aplicado, devuélvalo con el comprobante de compra, flete pagado anticipadamente, a cualquier Centro de Servicio Autorizado por Wagner. Póngase en contacto con el Departamento de Servicio Técnico de Wagner en 1770 Fernbrook Lane, Plymouth, MN 55447 o llame por teléfono al 1-800-727-4023 para averiguar las ubicaciones de los Centros de Servicio Autorizados. El Centro de Servicio Autorizado de Wagner reparará o cambiará el producto (a criterio de Wagner) y se lo devolverá a usted con el porte pagado anticipadamente.

Algunos estados no permiten limitaciones a la duración de una garantía implícita ni la exclusión de daños incidentales o indirectos, de modo que la limitación y exclusión anteriores puede que no se apliquen a usted.

Esta garantía le da a usted derechos legales específicos y usted podría tener también otros derechos que varían de un estado a otro.