



# OPERATOR'S MANUAL

## For Model 76



(Note: In this manual, the Cabinetizer™ is shown with the optional Drill Drive™ winch assembly)

### ⚠ WARNING ⚠

Read and become familiar with this manual **BEFORE** operating unit.

Before operating this equipment, thoroughly read this set of instructions, make sure you understand them, and only then follow the step-by-step directions. Failure to do so could result in serious property damage and / or serious bodily injury.

MADE BY **PARAGON PRO**  
MANUFACTURING SOLUTIONS

---

To our valued customer,

Thank you for choosing a **Telpro Inc.**® product by **PARAGON PRO** Manufacturing Solutions. We are pleased that we are able to provide equipment to make your work easier.

Our efforts are focused on producing the finest quality equipment of which we are capable. We make sure to spend extra time and effort on our design and production in order to reduce your time and effort spent using the product.

We take pride in providing the best for our customers. Quality, innovation, and excellence are all qualities this company ensures. No product is sent without being factory tested and inspected to ensure the highest quality for you.

It all began in 1972 when Roland Young designed our first product, the PANELLIFT® Brand Drywall Lift, and revolutionized the drywall industry. To this day we are continuously making advancements in manufacturing and design.

Thank you again for giving us the opportunity to work with you. Any questions or comments that you have are always welcome.

**PARAGON PRO**  
M a n u f a c t u r i n g   S o l u t i o n s

# CONTENTS

---

Warning / Instructional Information .....	Page 1
User Components .....	Page 2
Care & Maintenance .....	Page 2
Assembly .....	Page 3
Operation .....	Page 5
Safety .....	Page 10

All photos are for illustrative purposes only. Always wear proper Personal Protective Equipment.

# Warning

**Read and follow these warnings and the instructions that follow. Failure to do so could result in serious property damage and/or serious bodily injury.**

• **BEFORE** operating this equipment, thoroughly read this set of instructions, make sure you understand them, and only then follow the step-by-step directions. **FAILURE TO READ AND FOLLOW THESE INSTRUCTIONS** could result in failure of the equipment. Failure of the equipment while the lift is raised can include a sudden and rapid lowering of the lift and load possibly resulting in serious property damage and/or serious bodily injury.

• Use and maintenance of the Cabinetizer™ Cabinet Lift shall be limited to authorized personnel who are trained in the proper techniques for its safe operation and maintenance and who are familiar with the various hazards of overhead material handling.

• It shall be the responsibility of any and all users of the Cabinetizer™ Cabinet Lift to become familiar and comply with all:  
-aspects of assembly, operation and necessary safety precautions.  
-applicable federal, state, and local statutes or regulations

• **The weight capacity of the Cabinetizer™ Cabinet Lift is 300 lbs. (136 kg). DO NOT load the unit beyond this limit.** Failure to follow this warning can result in damage to the Cabinetizer™ Cabinet Lift contributing to a sudden failure of the machine and serious property damage and/or serious bodily injury.

• **DO NOT ATTEMPT TO USE YOUR Cabinetizer™ Cabinet Lift IF ANY PART IS MISSING, DAMAGED OR WORN. ORDER A REPLACEMENT PART IMMEDIATELY.** Using a Cabinetizer™ Cabinet Lift with missing, damaged or worn components can result in failure of the unit and possibly severe property damage and/or serious bodily injury.

• **INSPECT THE STRAP BEFORE EACH USE. REPLACE AT THE FIRST SIGN OF WEAR.** A worn, damaged or improperly installed strap can fail resulting in a sudden and rapid lowering of the lift and the load and possibly resulting in serious property damage and/or serious bodily injury.

• **DO NOT ROLL** a loaded Cabinetizer™ Cabinet Lift while the load is raised. Always keep the load lowered until the lift is in place beneath the space in which the cabinets will be installed.

Rolling a Cabinetizer™ Cabinet Lift while the load is raised can result in tipping the lift and load possibly resulting in serious property damage and/or serious bodily injury.

• The Cabinetizer™ Cabinet Lift is designed exclusively as a material lift and shall be used for no other purpose. The Cabinetizer™ Cabinet Lift is not a personnel lift or platform and shall not be used as such. **DO NOT** sit or stand on any part of the Cabinetizer™. Using the Cabinetizer™ Cabinet Lift for purposes other than a material lift can subject the unit to stresses and loads that it was not designed to carry. This can result in failure of the unit which may include a sudden and rapid lowering of the lift and the load possibly resulting in serious property damage and/or serious bodily injury.

• Keep body parts out from under load at all times.

• Use the Cabinetizer™ Cabinet Lift only on smooth level surfaces.

• The Cabinetizer™ Cabinet Lift is made of steel which conducts electricity. **KEEP THE UNIT AWAY FROM LIVE ELECTRICAL WIRES.** Failure to do so could result in electrocution.

• Use only factory authorized replacement parts. Installation of other parts can compromise the safe design of the Cabinetizer™ Cabinet Lift and may cause failure of the unit possibly resulting in serious property damage and/or serious bodily injury.

• Do not transport an assembled Cabinetizer™ Cabinet Lift.

• Be Observant Of Any Potentially Hazardous Conditions, such as, but not limited to:

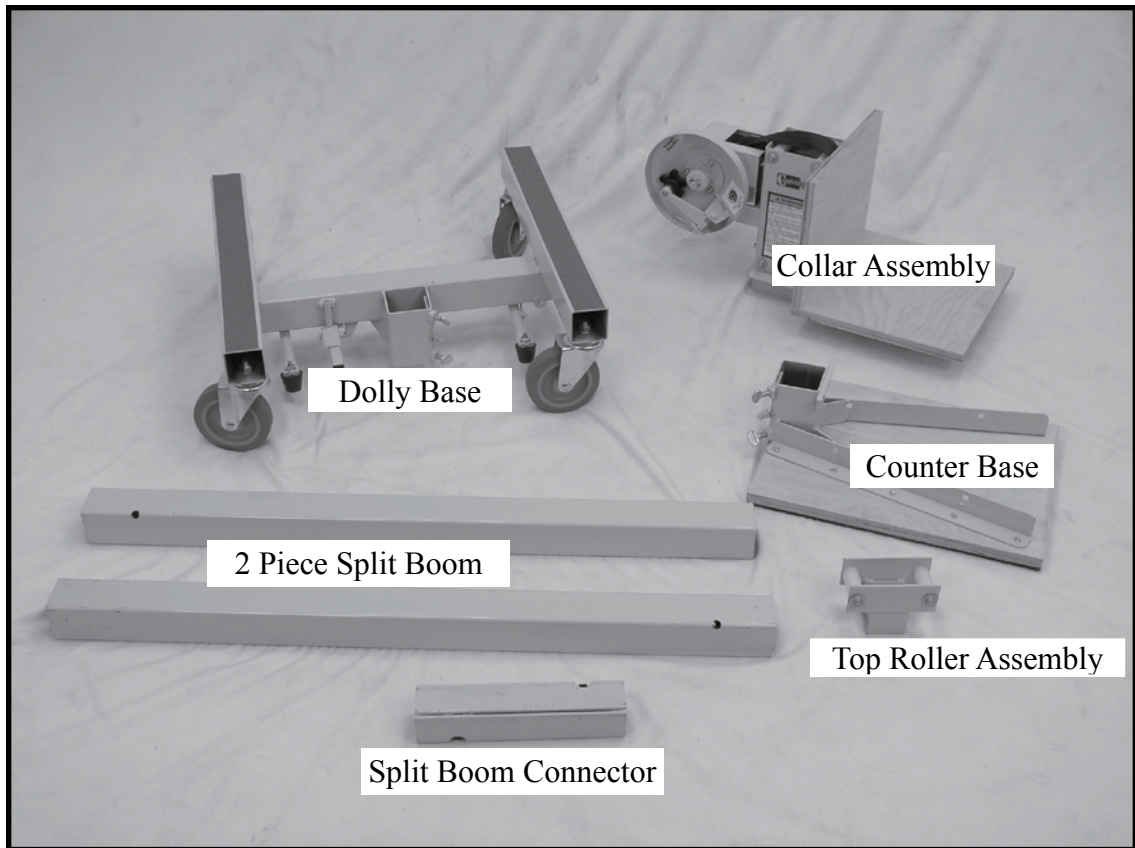
- |                   |                              |
|-------------------|------------------------------|
| -Any obstructions | -Holes                       |
| -Loose materials  | -Electrical installations    |
| -Moving machinery | -Stairwells                  |
| -Open ducts       | -Changes in floor elevations |
| -Wires            | -Etc.                        |

• Before loading Cabinetizer™ Cabinet Lift, **BE SURE THE MAIN UPRIGHT BOOM IS** firmly secured to the Base and the **SPLIT BOOM CONNECTOR** is fastened securely.

• **Always** balance the load on the Cabinetizer™ Cabinet Lift. Failure to do so can result in tipping the lift and load possibly resulting in serious property damage and/or serious bodily injury.

**Questions? - Call Paragon Pro Manufacturing Solutions Customer Service at 1-800-448-0822 or 1-800-441-0551**

# USER COMPONENTS

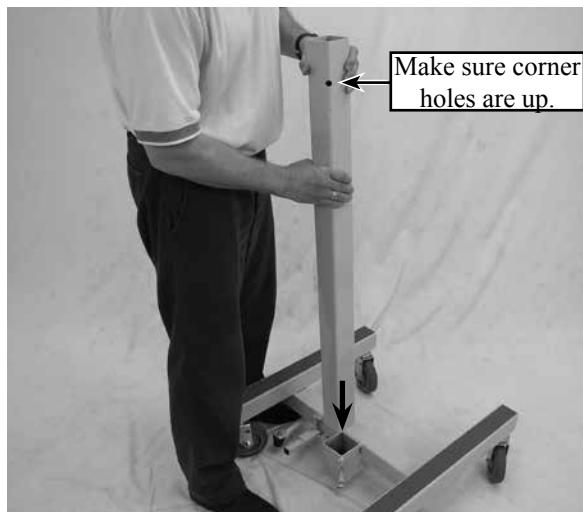


## Maintaining your Cabinetizer™



- ✓ Store the Cabinetizer™ Cabinet Lifter in a dry place.
- ✓ Lightly lubricate caster bearings, base brake assembly, and top boom rollers.
- ✓ Take reasonable care to avoid damaging the Cabinetizer™ Cabinet Lifter when transporting it. Do not transport the Cabinetizer™ while it is assembled.
- ✓ Do not hammer on any members or components of the Cabinetizer™ Cabinet Lifter.
- ✓ Avoid damage to edges, surfaces, and ends of the Boom Tubes. Do not drop them on floors or hard surfaces. Smooth, straight edges will allow the Collar of the Cabinetizer™ to travel freely up and down the boom.

# ASSEMBLY - Dolly Base Configuration



1. Install either of the boom sections into the dolly base. Make sure the holes in the corner of the tube are up.

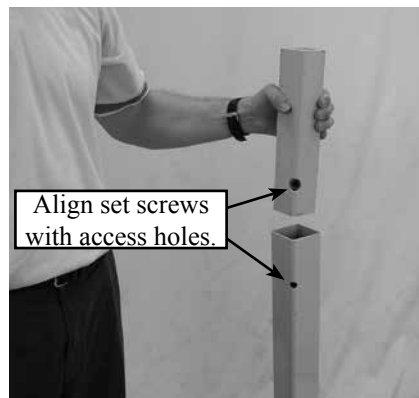


2. Tighten both lock screws on the dolly base to hold the boom tube securely.

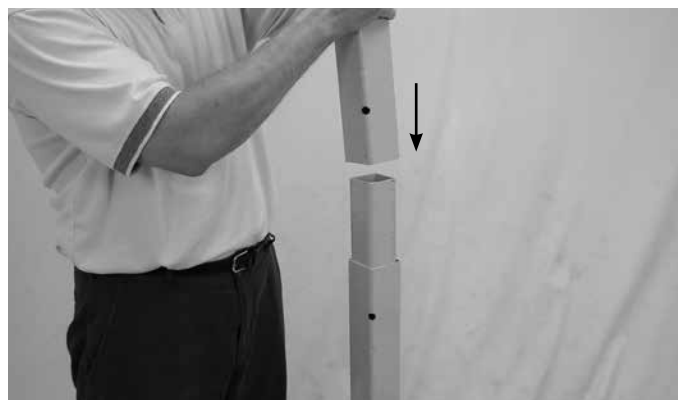


3. Let out about a 2' loop of strap on the Collar Assembly and slide the Collar Assembly over the boom tube.

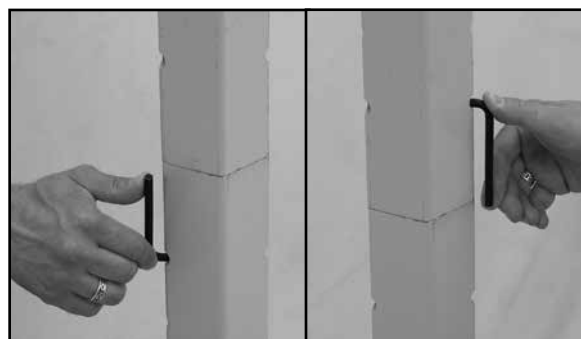
**MAKE SURE** the seat of the Collar Assembly is oriented on the same side as the longer base legs as shown.



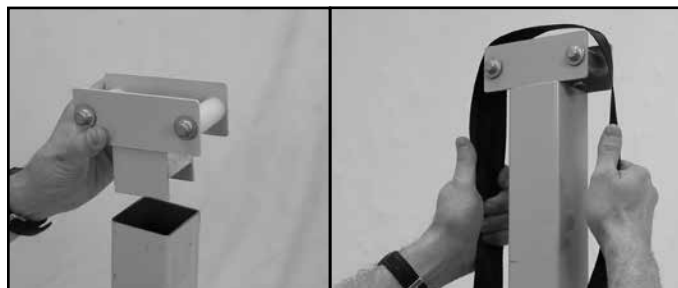
4. Insert the split boom connector. Align the set screws with the access holes in the boom tube



5. Fit the second boom section over the split boom connector. Align the corner access holes with those of the lower section.



6. Using the hex key stored on the collar assembly, tighten both set screws on the split boom connector securely.

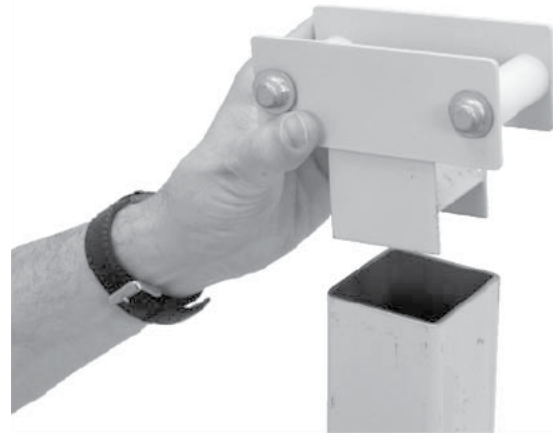


7. Insert the top roller assembly then position the strap over the top rollers, raising the Collar up the Boom.

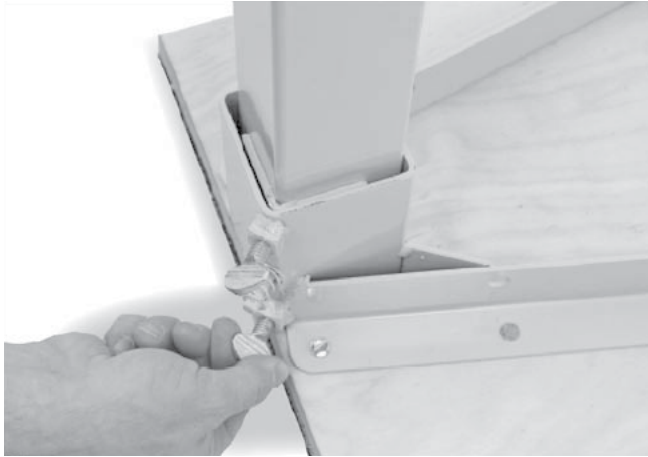
# ASSEMBLY - Counter Base Configuration



1. Install either of the boom sections into the Counter Base.



4. Insert the top roller assembly



2. Tighten the thumb screws on the Counter Base to hold the Boom firmly in place.



5. Position the strap over the top rollers, making sure that it is aligned straight with no twists.



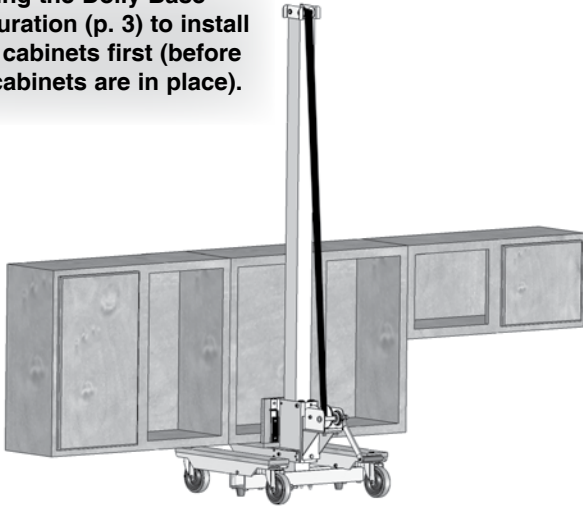
3. Let out a 2' loop of strap on the Collar Assembly and slide the Collar Assembly over the Boom Tube. **MAKE SURE** the seat of the Collar Assembly is oriented on the same side as the Counter Base as shown.



Your Cabinetizer™ is now ready for use.

## INSTALLING UPPER CABINETS (before base cabinets)

Using the Dolly Base Configuration (p. 3) to install upper cabinets first (before base cabinets are in place).



1. Load cabinets onto lift.



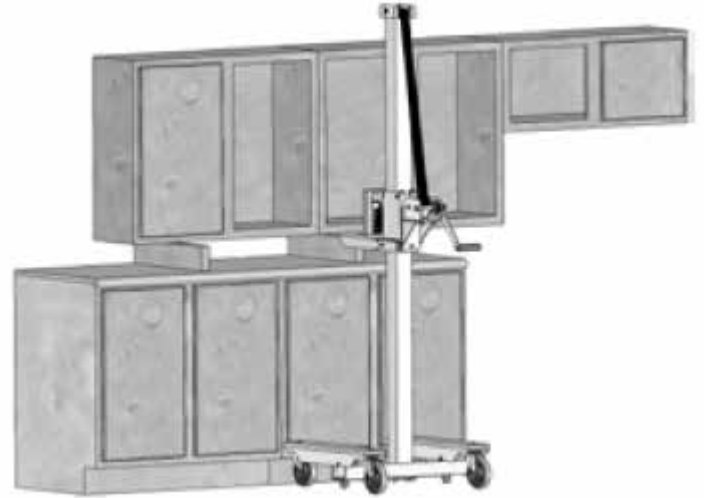
2. -Operate the winch to raise cabinets into place.  
-Lock brake on Dolly Base.  
-Level cabinets and fasten in place.



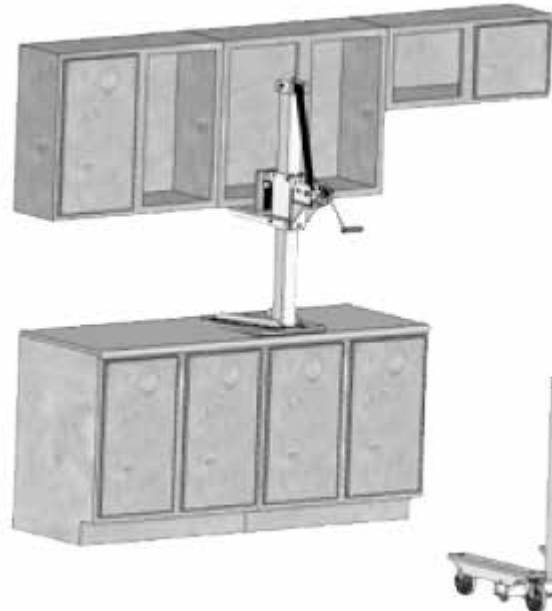
The Dolly Base can be used independently to move Cabinets

## INSTALLING UPPER CABINETS (over existing base cabinets)

Using the Counter Base Configuration (p. 4) to install upper cabinets second (when base cabinets are in place).



1. Start by using the Dolly Base Assembly to raise the upper cabinets to blocks (approx. 9" high, blocks not included) on the base counters.



2. Use the Counter Base Configuration (p. 4) for final positioning of the cabinets.

- Center the Cabinetizer™ under the load, making sure the weight of the load is balanced on the lift.
- Operate the winch to raise cabinets into place.
- Level cabinets and fasten in place.

**Questions? Problems?**

**Call**

**PARAGON PRO**  
MANUFACTURING SOLUTIONS

**701-775-0551**

**1-800-448-0822**

# Optional Accessories for your Cabinetizer™

Call 1-800-448-0822 or email [sales@paragonpromfg.com](mailto:sales@paragonpromfg.com) for more information.

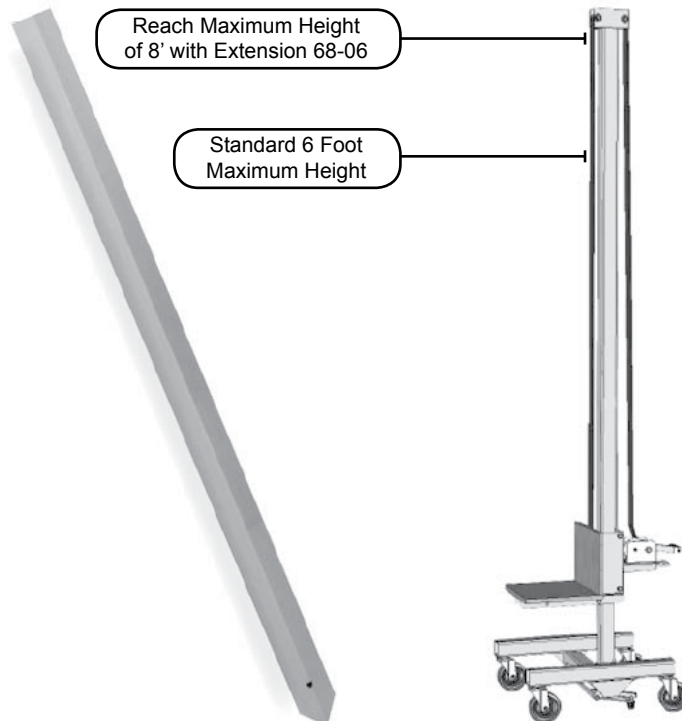
## DRILL DRIVE™

Your Cabinetizer™!



Raise your cabinets into place even faster and smoother with the Drill Drive™ winch option 1013 for your Cabinetizer™.

### Upper Boom Extension 68-06



If you need more than the standard 6 feet of lift, the Upper Boom Extension works great for tall jobs up to 8' (at the bottom of the cabinet). Lift capacity with the installed extension is 150 lbs.

**This product contains trace amounts of the following items which are known to cause**  
These chemicals are not hazardous under product's intended use.  
Please review CAS# for more information.

<b>Chemical</b>	<b>Hazard</b>	<b>CAS#</b>	<b>% By Weight</b>
Arsenic	Cancer	7440-38-2	Trace
Cadmium	Developmental	7440-43-9	Trace
Chromium	Cancer, Developmental	7440-47-3	Trace
Ethylbenzene	Cancer	100-41-4	Trace
Lead	Cancer	7439-92-1	Trace
Methanol	Developmental	67-56-1	Trace
Methylene Chloride (Dichloromethane)	Cancer	75-09-2	Trace
Nickel	Cancer	7440-02-0	Trace
Propylene glycol monobutyl ether	Cancer	5131-66-8	Trace
Toluene	Developmental	108-88-3	Trace
Wood Dust	Cancer	None	Trace
Hexane	Developmental	110-54-3	Trace