

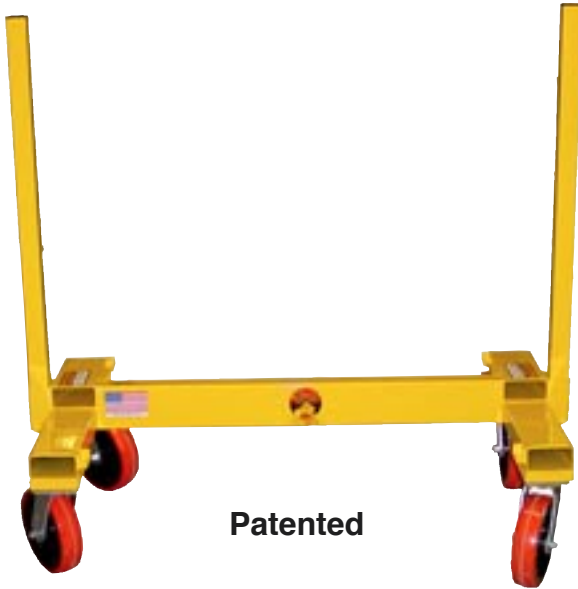


The Troll

MATERIAL HANDLING CART

MADE IN THE USA BY **Talpro Inc.** GRAND FORKS ND
PATENT COVERED BY ONE OR MORE OF THE FOLLOWING (PATENT PENDING / 6,032,966)

Model 1361 Operator's Manual



**PROUDLY MADE
IN THE U.S.A.**



Form #42-13-00-00.3-04-03

PARAGON PRO
MANUFACTURING SOLUTIONS

7251 So. 42nd Street
Grand Forks, ND 58201
Phone 1-800-448-0822
Fax 1-800-474-9993



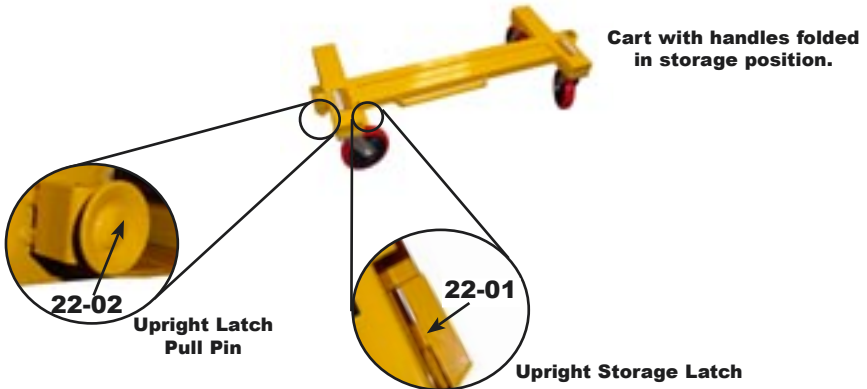
**How many ways can you use
your Troll® Cart?**



Front View



Back View



Cart easily converts into a flatbed by placing the upright tubes in the front and rear storage trays.



Parts Index

<u>Part #</u>	<u>Description</u>
22-01	Upright Storage Latch
22-02	Upright Latch Assembly
22-03	Upright Tube
22-04	(3) 8" Swivel Casters w/ Fasteners
22-05	Upright End Cap
22-14	(1) 8" Locking Brake Caster

