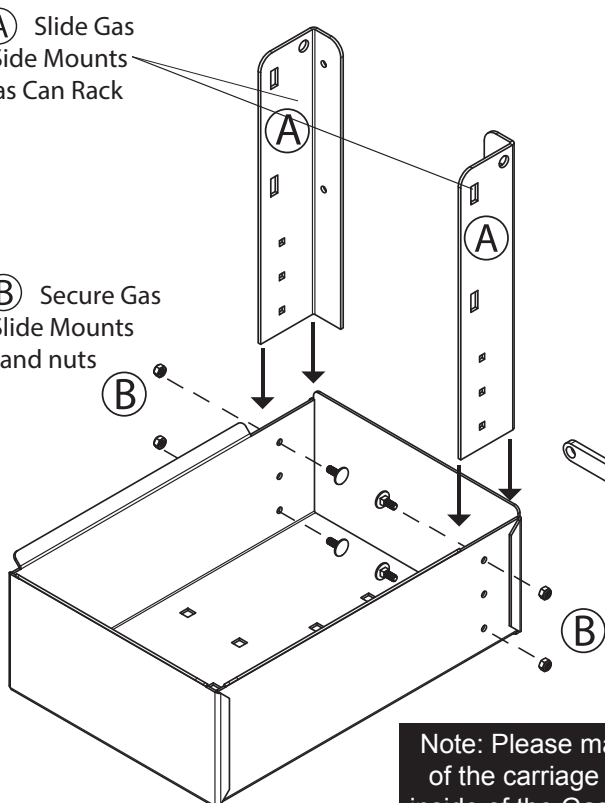


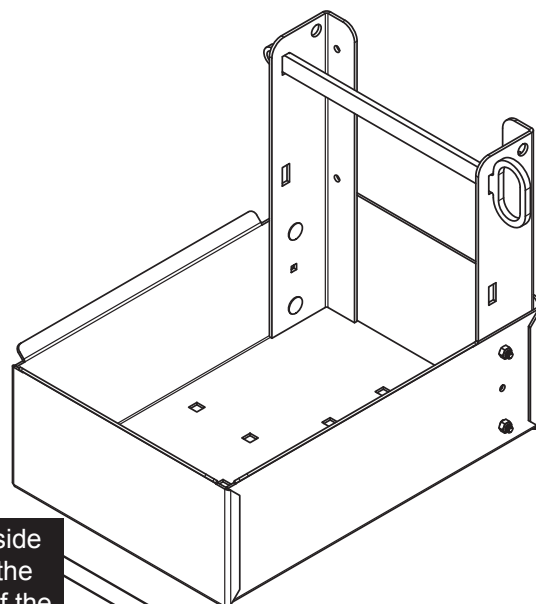
BK041/BL042 GAS CAN RACK ASSEMBLY INSTRUCTIONS

Step 1.) **A** Slide Gas Can Rack Side Mounts into the Gas Can Rack

Step 2.) **B** Secure Gas Can Rack Slide Mounts with bolts and nuts provided.



Fully Assembled Gas Can Rack

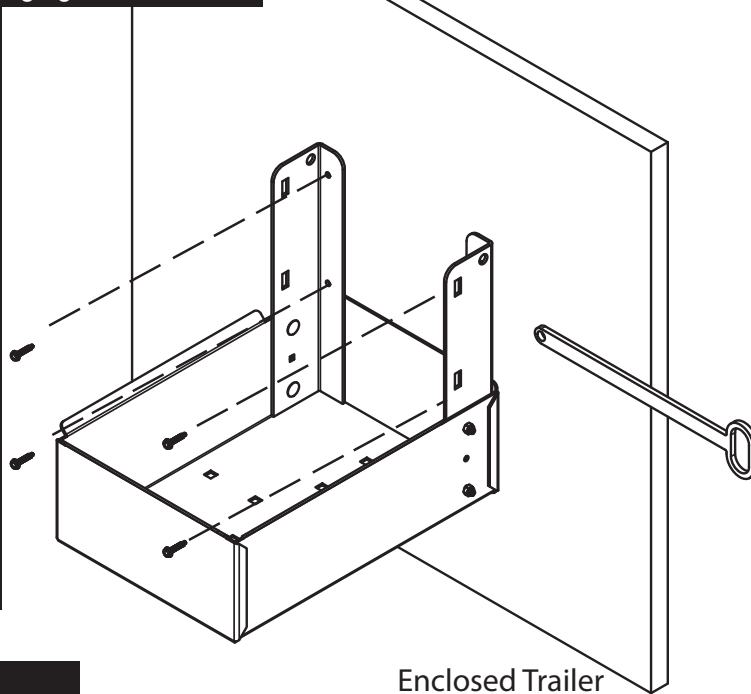
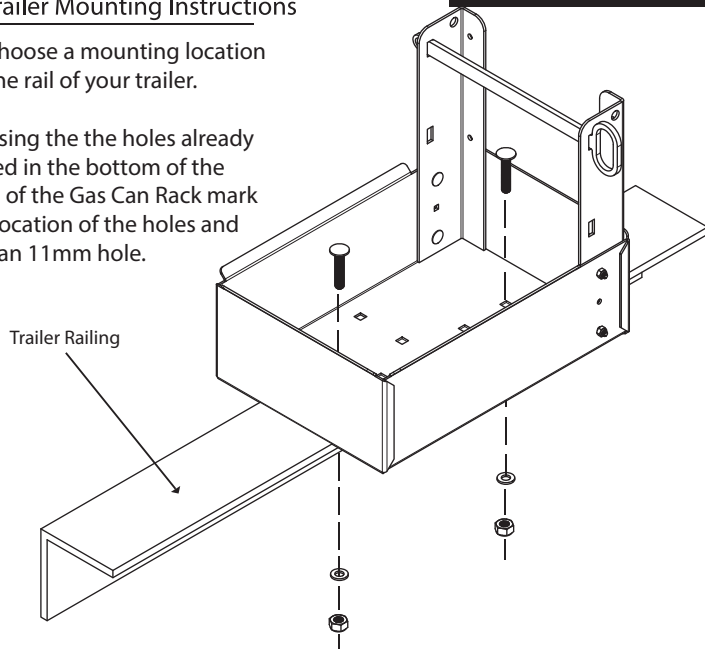


Note: Please make sure the rounded side of the carriage bolts are mounted on the inside of the Gas Can Rack. Nut side of the bolt could damage gas can.

Open Trailer Mounting Instructions

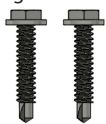
1.) Choose a mounting location on the rail of your trailer.

2.) Using the the holes already drilled in the bottom of the base of the Gas Can Rack mark the location of the holes and drill an 11mm hole.

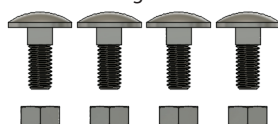


INCLUDED HARDWARE

(2) # 14 Hex Tex Self Tapping Wood Screws



(4) Small Square Neck Carriage Bolts



(4) Small Nylock Nuts

(2) Large Square Neck Carriage Bolts



(2) Large Nylock Nuts

Enclosed Trailer

1.) Choose a mounting location on the wall of your trailer. It should be directly over a mounting rib support.

2.) Install the two middle screws

Need Assistance?

Phone: 561-659-5525

Email: info@TrailerRacks.com