

SURECAGE

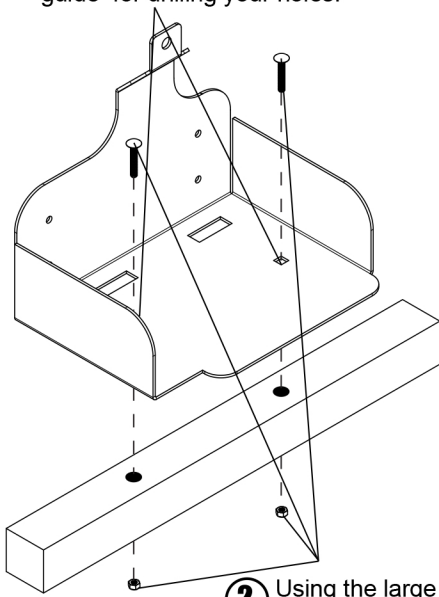
2.2 GALLON SURECAN GAS CAN RACK

THE **FIRST** OF IT'S KIND. FAST AND SECURE.

INSTALLATION INSTRUCTIONS

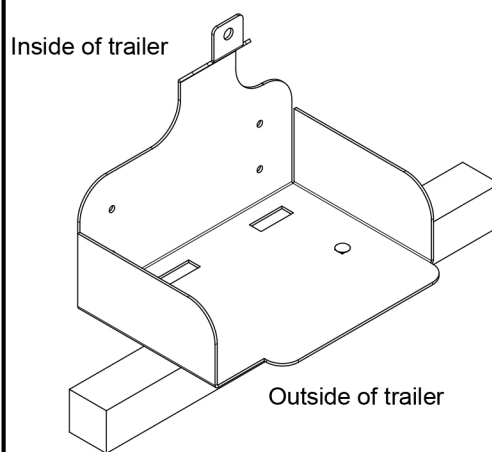
OPEN TRAILER

- 1** Use the holes in the bottom of the SureCage to mark holes on your railing as a guide for drilling your holes.

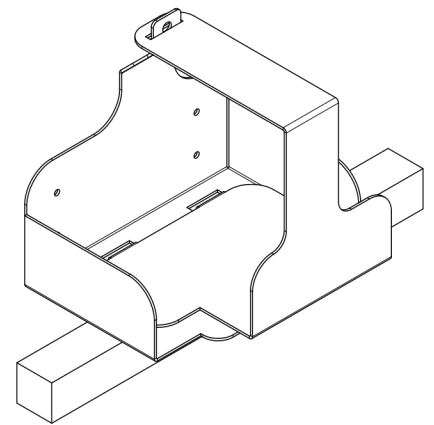


- 2** Using the large bolts and nuts, secure SureCage to your trailer railing.

Part (1) SureCage base mounted properly.

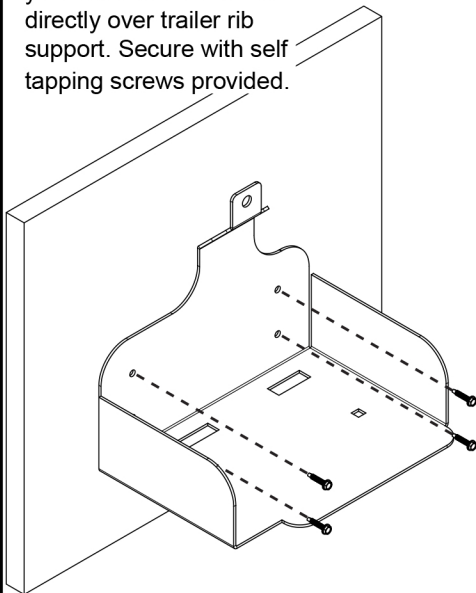


Part (1) SureCage base and Part (2) SureCage locking cover correctly assembled.

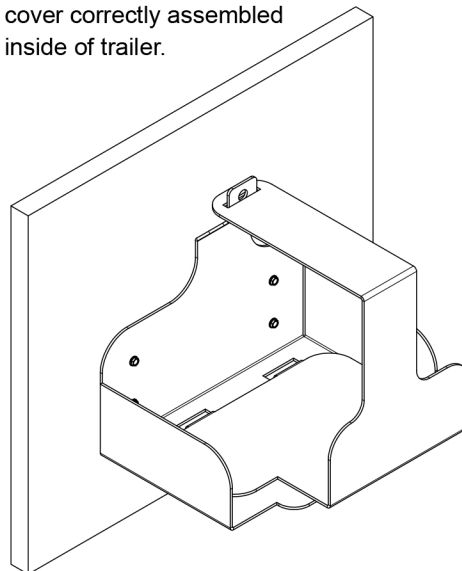


ENCLOSED TRAILER

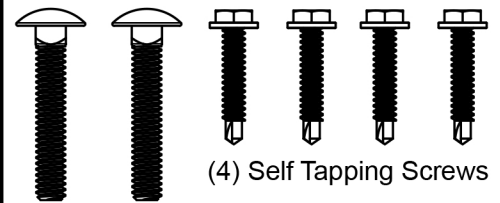
Choose mounting location in your trailer. Mounting should be directly over trailer rib support. Secure with self tapping screws provided.



Part (1) SureCage base and Part (2) SureCage locking cover correctly assembled inside of trailer.



INCLUDED HARDWARE



(4) Self Tapping Screws

(2) Large Bolts
(2) Nuts

Need Assistance?

Phone: 561-659-5525

E-Mail: Info@TrailerRacks.com

Youtube: [TrailerRacks.com](https://www.youtube.com/TrailerRacks.com)

Instagram: [green_touch_industries](https://www.instagram.com/green_touch_industries)

Facebook: [Green Touch Industries](https://www.facebook.com/GreenTouchIndustries)

CONNECT WITH US.
GREEN TOUCH INDUSTRIES/
TRAILERRACKS.COM



#STAYORIGINAL