



RED LION®

EN ENGLISH

SUMP PUMPS RLCSS Series Owner's Manual

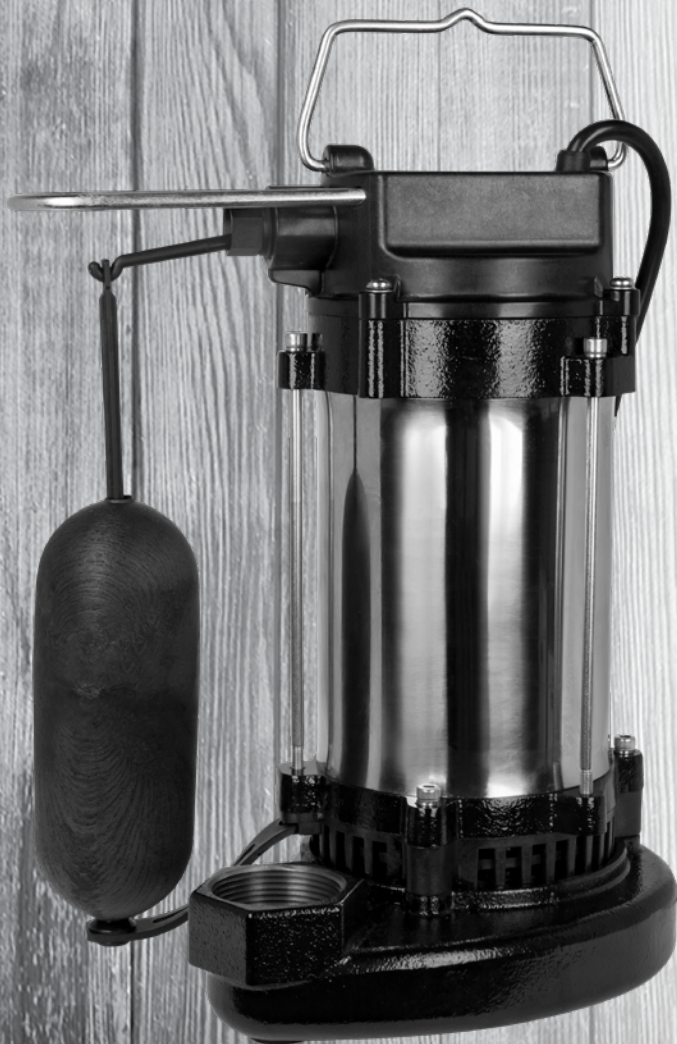



Table of Contents


Before Getting Started	2
Introduction.....	3
Safety Guidelines.....	3
Installation	4
Typical Installation.....	5
Wiring.....	6
Specifications.....	6
System Operation Testing	7
Maintenance.....	7
Troubleshooting.....	9
Limited Warranty.....	10


BEFORE GETTING STARTED


READ THESE INSTRUCTIONS CAREFULLY BEFORE ATTEMPTING TO INSTALL, OPERATE, OR SERVICE YOUR PRODUCT. KNOW THE PRODUCT'S APPLICATION, LIMITATIONS, AND POTENTIAL HAZARDS. PROTECT YOURSELF AND OTHERS BY OBSERVING ALL SAFETY INFORMATION. FAILURE TO COMPLY WITH THESE INSTRUCTIONS COULD RESULT IN PERSONAL INJURY AND/OR PROPERTY DAMAGE!


Refer to product data plate(s) for additional operating instructions and specifications.

This is the safety alert symbol. When you see this  symbol on your pump or in this manual, look for one of the following signal words and be alert to the potential for personal injury or property damage if ignored:


 DANGER warns about hazards that will cause serious personal injury, death or major property damage if ignored.


 WARNING warns about hazards that can cause serious personal injury, death or major property damage if ignored.


 CAUTION warns about hazards that will or can cause minor personal injury or major property damage if ignored.

 NOTICE indicates special instructions which are important but not related to hazards. Carefully read and follow all safety instructions in this manual and on pump.




 DANGER DO NOT USE TO PUMP FLAMMABLE OR EXPLOSIVE FLUIDS SUCH AS GASOLINE, FUEL OIL, KEROSENE, ETC. DO NOT USE IN EXPLOSIVE ATMOSPHERES OR HAZARDOUS LOCATIONS AS CLASSIFIED BY THE NEC, ANSI/NFPA70. FAILURE TO FOLLOW THIS WARNING CAN RESULT IN PROPERTY DAMAGE, PERSONAL INJURY OR DEATH. DO NOT HANDLE A PUMP OR PUMP MOTOR WITH WET HANDS OR WHEN STANDING ON A WET OR DAMP SURFACE, OR IN WATER. FAILURE TO FOLLOW THIS WARNING CAN RESULT IN FATAL ELECTRICAL SHOCK. PUMP SHOULD ONLY BE USED WITH LIQUIDS COMPATIBLE WITH PUMP COMPONENT MATERIALS.

 WARNING Make certain that the unit is disconnected from the power source before attempting to service or remove any component. If the power disconnect is out of sight, lock it in the open position and tag it to prevent unexpected application of power.

 WARNING This equipment should be installed and serviced by technically qualified personnel. Comply with national and local electrical and plumbing codes when installing this unit. Failure to install it in compliance with national and local electrical and plumbing codes and within Red Lion's recommendations may result in electrical shock or fire hazard, unsatisfactory performance, or equipment failure. Installation information is available through pump manufacturers and distributors, or directly from Red Lion at our toll-free number, 1-888-885-9254.

This equipment must not be used by children or persons with reduced physical, sensory or mental abilities, or lacking in experience and expertise, unless supervised or instructed. Children may not use the equipment, nor may they play with the equipment or in the immediate vicinity.

 CAUTION In any installations where property damage and/or personal injury might result from an inoperative or leaking pump due to power outages, discharge line blockage, or any other reason, a backup system(s) and/or alarm should be used.

CAUTION

- Keep work area clean, well-lit, and uncluttered.
- Keep safety labels clean and in good condition.
- Do not run pump dry. For optimal cooling and to prolong the motor life, the liquid level being pumped should normally be above the top of the pump housing.
- Wear safety glasses while installing or performing maintenance on pump.
- Make sure all **ELECTRICAL POWER IS OFF** before connecting any electrical wires. Wire pump system for correct voltages. Follow all pump wiring instructions provided in the "Wiring" section of this manual.

INTRODUCTION

This submersible sump pump is for use in basins or lift stations and is suitable for pumping clear water. Do not use the pump in applications where sewage or any other debris (gravel, sand, floating debris, etc.), abrasives, or corrosives are present.

This instruction sheet provides you with the information required to safely own and operate your product. Retain these instructions for future reference. The product you have purchased is of the highest quality workmanship and material and has been engineered to give you long and reliable service. This product has been carefully tested, inspected, and packaged to ensure safe delivery and operation. Please examine your item(s) carefully to ensure that no damage occurred during shipment. If damage has occurred, please contact the place of purchase. They will assist you in replacement or repair, if required.

SAFETY GUIDELINES

⚠ DANGER When a pump is in a basin, etc., do not touch the motor, pipes or water until unit is unplugged or shut off. If shutoff box is not accessible, call the electric company to shut off service to the house, or call your local fire department for instructions. Failure to follow this warning can result in fatal electrical shock.



⚠ WARNING RISK OF ELECTRIC SHOCK This product is supplied with a grounding conductor and grounding-type attachment plug. To reduce risk of electric shock, be certain that it is connected only to a properly grounded grounding-type receptacle. The third prong is to ground the pump to help to prevent possible electric shock hazard. Do not remove the third prong from the plug.

⚠ WARNING RISK OF ELECTRIC SHOCK AND FIRE HAZARD. DO NOT USE AN EXTENSION CORD. The power service outlet must be within reach of the pump's power cord plug. A fire hazard or electric shock could occur if the insulation on an extension cord becomes damaged. Fatal electrical shock could occur if the extension cord falls into the water.

As a safety measure, each electrical outlet should be checked with an Underwriters Laboratory Listed circuit analyzer. This will indicate if the power, neutral and ground wires are properly connected. If they are not, call a qualified licensed electrician.

⚠ WARNING The pump motor is equipped with an automatic resetting thermal protector and may restart unexpectedly. Protector tripping is an indication of motor overloading/overheating, which can be caused by application issues such as an obstructed pump impeller, switch stuck in the ON position, pump running dry, pump air-locked, pump short cycling, excessively high or low voltage supply, or possibly a pump, motor, bearings or seal that have reached the end of their useful life.

⚠ WARNING The pump is immersed in water during normal operation. Water may also be present in the surrounding area of the pump. Caution must be used to prevent bodily injury when working near the pump:

- Electrical power should be disconnected prior to touching, servicing or repairing the pump.
- To minimize possible fatal electrical shock hazard, extreme care should be used when changing fuses. Do not stand in water while changing fuses or insert your finger into the fuse socket.

⚠ WARNING Do not run the pump in a dry basin. If the pump is run in a dry basin, the surface temperature of the pump will rise to a high level. This high level could cause skin burns if the pump is touched and will cause serious damage to your pump. For optimal cooling and to prolong the motor life, the liquid level being pumped should normally be above the top of the pump housing.

⚠ WARNING Do not oil the motor. The pump housing is sealed. A high-grade dielectric oil devoid of water has been put into the motor housing at the factory. Use of other oil could cause serious electric shock and/or permanent damage to the pump.

⚠ CAUTION This pump's motor housing contains a dielectric oil for motor heat transfer and lifetime lubrication of the bearings. This oil is non-toxic to aquatic life. However, suffocation can occur if oil is left on the water surface. If oil escapes the motor housing, it can be quickly removed by placing newspapers on the water surface to soak up the oil.

⚠ CAUTION
THIS PUMP HAS BEEN EVALUATED FOR USE WITH WATER ONLY.

INSTALLATION

⚠ WARNING Check local electrical and building codes before installation. The installation must be in accordance with their regulations as well as the most recent National Electrical Code (NEC).

1. Pump must be installed in a suitable gas-tight basin that is at least 18" in diameter and 24" deep and vented in accordance with local plumbing codes.

(Note: for sump pump applications, an 18" x 22" deep perforated basin can be used if in accordance to all applicable plumbing codes.)

2. Clean any debris from the basin and set the pump in the center of the basin (see "Typical Installation"). A solid bottom will prevent clogging of the pump from sand and dirt.
3. The pump must be placed on a hard, level surface. Never place the pump directly on clay, earth or gravel surfaces. These surfaces contain small stones, gravel, sand etc. that may clog or damage the pump and cause pump failure.
4. Do not attempt to restrict the intake side of these pumps. Restricting the intake may cause damage to the seal and may starve the pump. If you require reduced flow rates, place a valve on the discharge side of the pump. Or, if flexible vinyl tubing is used, a clamp can be used on the tubing to restrict the flow.
5. Connect discharge piping. Use pipe joint compound at all connections. The discharge pipe should be as short as possible and contain as few elbows as possible. The discharge pipe should be the same diameter as the discharge size to reduce pipe friction losses. A smaller pipe will restrict capacity and reduce pump performance. The sump pump comes with a 1-1/2" female pipe thread discharge.
 - a. Support the pump and piping while assembling and when installed. Failure to do so may cause the piping to break, the pump to fail, motor bearing failures, etc.
 - b. Always install a union in the discharge line just above the basin cover to allow for easy removal of the pump for cleaning or repair.

6. A check valve must be used in the discharge line to prevent backflow of liquid into the basin. The check valve should be a free-flow valve that will easily pass solids.

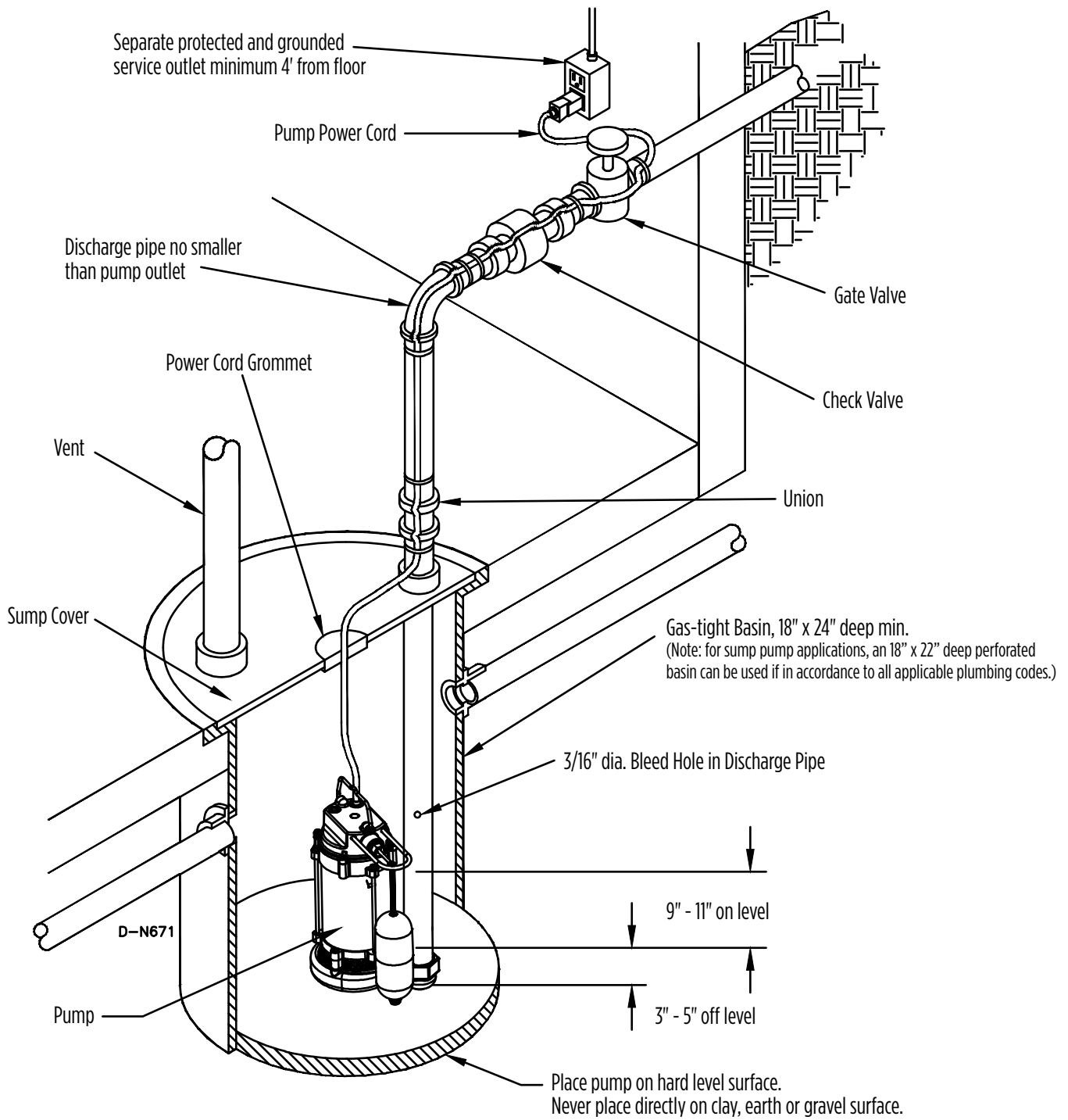
a. **⚠ CAUTION** For best performance of the check valve when handling solids, install it in a horizontal position or at an angle of no more than 45°. Do not install the check valve in a vertical position, as solids may settle in the valve and prevent the valve from opening on start-up.

b. When a check valve is used, drill a relief hole (1/8" or 3/16" in diameter) in the discharge pipe. This hole should be located below the floor line between the pump discharge and the check valve. Unless such a relief hole is provided, the pump could "air lock" and will not pump water even though it will run.

7. Tape the pump and switch cords to the discharge line with electrical tape. This will protect the cord from damage.
8. Test the operation of the pump system by following the instructions in the "System Operation Testing" section of this manual. Do not attempt to operate the pump without water; this will damage the seals and bearings and could result in permanent damage to the pump.
9. Place cover over basin. This cover will help prevent debris from entering the pit and will guard against accidental injury.

⚠ WARNING Always disconnect the electrical power before touching the pump or discharge when water is present in the basin. Failure to do so can result in hazardous electrical shock.

TYPICAL INSTALLATION



WIRING



WARNING Check local electrical and building codes before installation. The installation must be in accordance with their regulations as well as the most recent National Electrical Code (NEC).

Check the pump label for proper voltage required. Do not connect to voltage other than that shown.

A ground fault circuit interrupter (GFCI) is required.

The pump should be connected or wired to its own circuit, with no other outlets or equipment in the circuit line. The fuses and circuit breaker should be of ample capacity in the electrical circuit. See table below:

Pump	HP	Voltage	Breaker Amps
RL33CSS	1/3	115	15
RL50CSS	1/2	115	15
RL75CSS	3/4	115	15

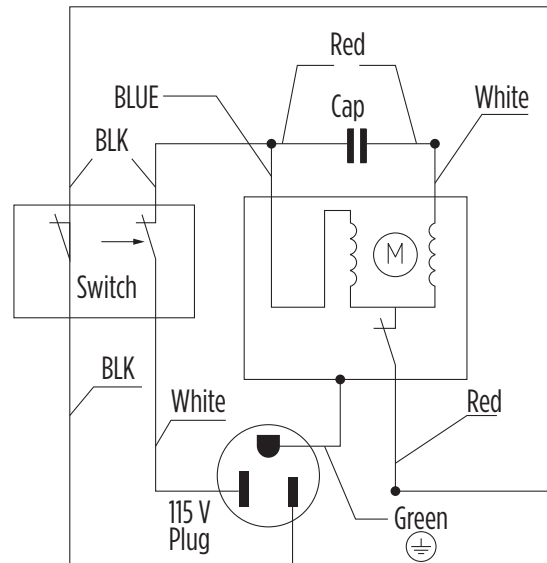
WARNING The flexible jacketed cord assembly mounted to the pump must not be modified in any way, with the exception of shortening the cord to fit into a control panel. Any splice between the pump and the control panel must be made within a junction box mounted outside of the basin and comply with the National Electrical Code. Employ a licensed electrician.

WARNING Do not use the power cord for lifting the pump.

SPECIFICATIONS

Discharge Size	1-1/2" FNPT vertical
Intake Size	Screened bottom
Pump Housing	300 Series stainless steel
Volute	Cast Iron
Impeller	Plastic
Motor	Single-phase permanent split capacitor with automatic reset thermal overload protection
Motor Shaft	420 Martensitic stainless steel
Hardware	300 Series stainless steel
Bearings	Ball, top and bottom
Pump Shaft Seal	Stationary carbon with Nitrile boot and rotating ceramic seat
Power Cord	18 AWG 3-conductor, copper, stranded, 10' length
Cooling	The motor housing contains oil to cool the motor and to lubricate bearings and seals. These pumps are capable of operating with the motor housing partially exposed for extended periods, providing sufficient motor cooling and bearing lubrication. However, for the best cooling and longest motor life, the liquid level being pumped should normally be above the top of the cast iron motor housing.

Electrical Diagram



SYSTEM OPERATION TESTING

Testing Automatic Pump Operation

1. The RLCSS Series automatic pumps are equipped with an integral float-operated mechanical switch. Automatic operation is achieved through the pump cord.
2. When these pumps are installed in a basin with a sealed cover, switch operation cannot be observed. The basin cover will usually have a spare hole that is plugged with a rubber plug. This plug can be removed and switch operation can be observed.
3. Plug the power cord into a grounded receptacle with voltage consistent with the pump voltage, as indicated on the pump nameplate.
4. Be sure the gate valve in the discharge line is open.
5. Run water into the basin until the pump is activated.
 - a. Do not attempt to run the pump without water; this could result in permanent damage to the pump.
6. Confirm that the pump and its control switch are functioning as intended.
7. Confirm that the ON/OFF levels are within specification, and confirm that no potential obstructions exist that could inhibit switch operation.
8. Confirm that there are no leaks in the pump discharge plumbing and main home drain pipe plumbing.
 - a. It is normal for a stream of water to spray from the air bleed hole in the pump's plumbing. Confirm that this spray is captured within the basin.
9. Allow the pump to operate through several on/off cycles.

If the pump does not operate properly, consult the “Troubleshooting” table. If the solution still cannot be found, please contact the place of purchase. They will assist you in replacement or repair, if required.

Do not let the unit run dry (without liquid). It is designed to be cooled by pumping fluid. The seal may be damaged and the motor may fail if the pump is allowed to run dry.

If the unit is going to be idle for a period of time, follow the cleaning instructions outlined in the next section. Do not let the unit freeze. This may cause cracking or distortion that may destroy the unit.

MAINTENANCE



CAUTION Before working on the pump or switch, always unplug the pump power cord in addition to removing the fuse or shutting off the circuit breaker.

This unit is permanently lubricated. Oiling is not required. Do not, in any case, open the sealed portion of the unit or remove housing screws.

NOTICE Inspect and test the pump system condition and operation every 3 months (more frequently in heavy-use applications).

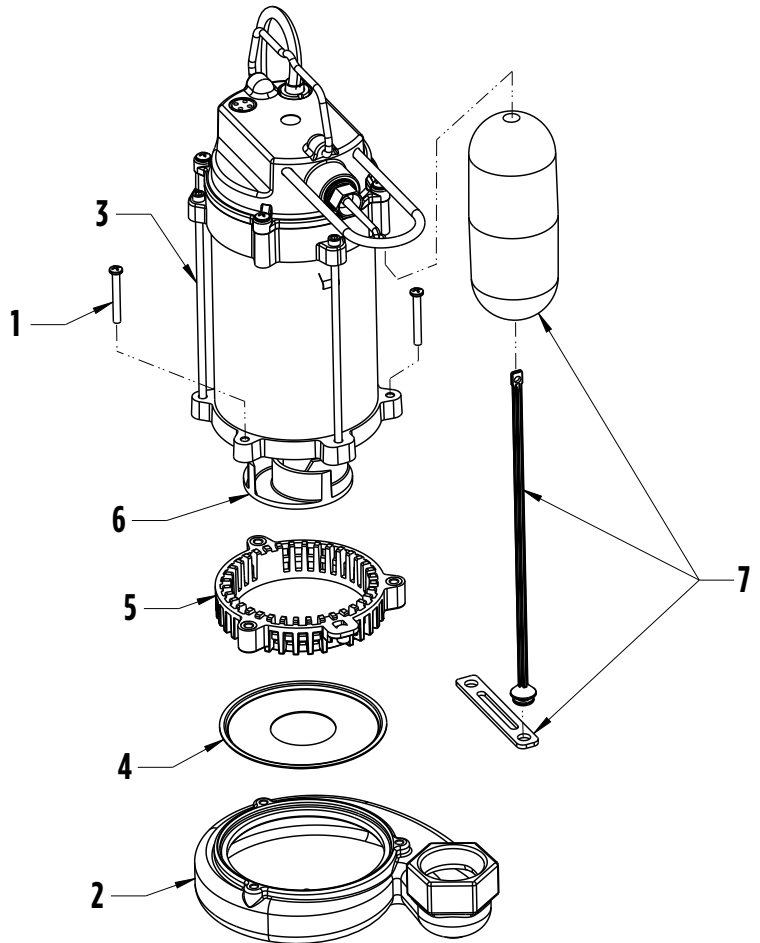
1. LET PUMP COOL FOR A MINIMUM OF 2 HOURS BEFORE ATTEMPTING TO SERVICE.
 - a. Submersible pumps contain oil that becomes pressurized and hot under normal operating conditions.
2. Check the power cords and electrical outlet for damage or corrosion.
 - a. The power cord on these units cannot be replaced. In case of damage, the whole unit must be replaced.
3. Check the pump system components (basin, pump, switch, etc.) for any build-up (sludge, sediment, minerals, etc.) that would inhibit functionality of the components.
 - a. If significant, remove build-up or replace affected components.
4. Confirm that all flexible coupling hose clamps are fully engaged with plumbing and fully tightened.
5. Test the operation of the pump system by following the instructions in the “System Operation Testing” section of this manual.
6. While the pump is running, make sure a stream of water is escaping from the air bleed hole.
 - a. If not, clear the hole of any deposits or debris.

MAINTENANCE

Cleaning Impeller and Volute

Periodic cleaning of the pump parts will prolong the life and efficiency of the pump.

1. Remove the three bolts (1) that secure the volute (2) to the housing (3), then separate the volute (2), plate (4) and screen (5) from the housing (3).
2. **⚠ WARNING** Do not remove the motor housing cover. Warranty is void if the motor housing cover, impeller or seals have been removed.
3. Remove all debris (gravel, sand, floating debris, etc.) from the sump basin.
4. Clean the impeller (6), screen (5), and the volute passage (2). Do not use strong solvents.
 - a. **⚠ CAUTION** Do not remove the impeller. Removal of the impeller requires special tools and is to be done only by an authorized service center.
5. Be sure the impeller turns freely after cleaning.
6. Attach the volute (2), plate (4), and screen (5) to the housing (3) and secure it with the three bolts (1).



TROUBLESHOOTING

Problem	Probable Causes	Corrective Action
Pump does not turn on	Pump not plugged in.	Plug in pump.
	Circuit breaker shut-off or fuse removed.	Turn on circuit breaker or replace fuse.
	Accumulation of trash on float.	Clean float.
	Float obstruction.	Check float path and provide clearance.
	Defective switch.	Replace switch.
	Defective motor.	Replace pump.
Pump will not shut off	Float or float rod obstruction.	Check float and float rod path and provide clearance.
	Pump is air locked.	Pull pump and clean.
	Liquid inflow matches pump capacity.	Larger pump required.
	Defective switch.	Replace switch.
Pump runs but does not discharge liquid	Check valve installed backwards.	Check flow-indicating arrow on check valve body to ensure it is installed properly.
	Check valve stuck or plugged.	Remove check valve and inspect for proper operation.
	Lift too high for pump.	Check rated pump performance.
	Inlet to impeller plugged.	Pull pump and clean.
	Pump is air locked.	Pull pump and clean.
Pump does not deliver rated capacity	Lift too high for pump.	Check rated pump performance.
	Low voltage, speed too slow.	Check for proper supply voltage to make certain it corresponds to nameplate voltage.
	Impeller or discharge pipe is clogged.	Pull pump and clean. Check pipe for scale or corrosion.
	Impeller wear due to abrasives.	Replace pump.
Pump cycles continually	No check valve in long discharge pipe, allowing liquid to drain back into basin.	Install a check valve in discharge line.
	Check valve leaking.	Inspect check valve for correct operation.
	Basin too small for inflow.	Install larger basin.

LIMITED WARRANTY

THIS WARRANTY ("WARRANTY") SETS FORTH THE BRAND'S SOLE OBLIGATION AND PURCHASER'S EXCLUSIVE REMEDY FOR DEFECTIVE PRODUCT.

The Red Lion® Brand (the "Brand") warrants that the products accompanied by this Warranty are free from defects in materials or workmanship that exist at the time of sale by the Brand and which occur or exist within the applicable warranty period identified below. Any distributor, sub-distributor, recipient, end-user and/or consumer agrees that by accepting the receipt of the products, the distributor, sub-distributor, recipient, end user and/or consumer expressly agrees to be bound by the terms of this Warranty.

I. Applicable Warranty Period

The products accompanied by this Warranty shall be covered by this Warranty for a period of 36 months from the date of original purchase by the consumer. In the absence of suitable proof of purchase date, the warranty period of this product will begin to run on the product's date of manufacture.

II. Instructions Applicable to this Limited Warranty

1. Consumers wishing to submit a warranty claim must return the products accompanied by this Warranty to the point of purchase for warranty consideration.
2. Upon discovery of a potential defect, any personal injury, property damage or any other type of resulting damage, if applicable, shall be reasonably mitigated to the extent possible.
3. At its discretion, the Brand may inspect products either at its facilities or in the field, and after determination of a warranty claim, will, at its option, repair or replace defective parts. Repaired or replaced parts will be returned freight prepaid by the Brand.
4. This Warranty does not cover any labor or shipping charges. The Brand shall not be liable for any costs or charges attributable to any product testing, maintenance, installation, repair or removal, or for any tools, supplies, or equipment needed to install, repair, or remove any product.

III. Limitations Applicable to this Limited Warranty.

THIS WARRANTY DOES NOT APPLY TO ANY OF THE FOLLOWING:

1. Brushes, impeller or cam on models with brush-type motors and/or flex-vane impellers.
2. Any product that is not installed, applied, maintained and used in accordance with the Brand's published instructions, applicable codes, applicable ordinances and/or with generally accepted industry standards.
3. Any product that has been subject to misuse, misapplication, neglect, alteration, accident, abuse, tampering, acts of God (including lightning), acts of terrorism, acts of war, fire, improper storage or installation, improper use, improper maintenance or repair, damage or casualty, or to an excess of the recommended maximums as set forth in the product instructions.
4. Any product that is operated with any accessory, equipment, component, or part not specifically approved by the Brand.
5. Use of replacement parts not sold by the Brand, the unauthorized addition of non-Brand products to other Brand products, and the unauthorized alteration of Brand products.
6. Products damaged by normal wear and tear, normal maintenance services and the parts used in connection with such service, or any other conditions beyond the control of the Brand.
7. Any product that has been used for purposes other than those for which it was designed and manufactured.
8. Any use of the product where installation instructions and/or instructions for use were not followed.
9. Products connected to voltage other than indicated on nameplate.
10. Products where the pump was exposed to any of the following: sand, gravel, cement, grease, plaster, mud, tar, hydrocarbons, hydrocarbon derivatives (oil, gasoline, solvents, etc.) or other abrasive or corrosive substances.

11. Products in which the pump has been used to pump or circulate anything other than fresh water at room temperature.
12. Products in which the pump was allowed to operate dry (fluid supply cut off).
13. Products in which the sealed motor housing has been opened or the product has been otherwise dismantled by customer.
14. Products in which the cord has been cut to a length of less than three feet.

This Warranty is the entire warranty authorized and offered by the Brand. There are no warranties or representations beyond those expressed in this document.

THIS WARRANTY AND REMEDY IS IN LIEU OF ALL OTHER WARRANTIES AND REMEDIES INCLUDING WITHOUT LIMITATION, WARRANTIES OF MERCHANTABILITY AND/OR FITNESS FOR A PARTICULAR PURPOSE, WHICH ARE HEREBY SPECIFICALLY DISCLAIMED AND EXPRESSLY EXCLUDED. CORRECTION OF NON-CONFORMITIES, IN THE MANNER AND FOR THE PERIOD OF TIME AS SET FORTH ABOVE, SHALL CONSTITUTE FULFILLMENT OF ALL LIABILITY OF THE BRAND TO THE PURCHASER WHETHER BASED ON CONTRACT, NEGLIGENCE, OR OTHERWISE.

THE BRAND SHALL NOT BE LIABLE FOR INCIDENTAL, CONSEQUENTIAL OR SPECIAL DAMAGES SUCH AS, BUT NOT LIMITED TO:

DAMAGE TO OR LOSS OF OTHER PROPERTY OR EQUIPMENT, LOSS OF USE OF EQUIPMENT, FACILITIES OR SERVICE, LOSS OF PROFIT OR SALES, COST OF PURCHASES OR REPLACEMENT GOODS, CLAIMS OF CUSTOMERS OF THE PURCHASER, FAILURE TO WARN AND/OR INSTRUCT, LOSS OF OTHER PRODUCTS, OR COSTS OF ENVIRONMENTAL REMEDIATION, OR DIMINUTION IN PROPERTY VALUE. THE REMEDIES OF THE PURCHASER SET FORTH HEREIN ARE EXCLUSIVE, AND THE LIABILITY OF THE BRAND SHALL NOT, EXCEPT AS EXPRESSLY PROVIDED HEREIN, EXCEED THE PRICE OF THE PRODUCTS UPON WHICH SUCH LIABILITY IS BASED. DAMAGES AS SET FORTH IN THIS PARAGRAPH SHALL BE REASONABLY MITIGATED TO THE EXTENT POSSIBLE. THIS PARAGRAPH SHALL ALSO APPLY TO ALL DAMAGES RESULTING FROM CONDITIONS SET FORTH IN SECTION III ABOVE AND (1) DEFECTS IN PRODUCT PROTOTYPES OR REPLACEMENT PART PROTOTYPES THAT HAVE NOT BEEN PUT INTO PRODUCTION, CIRCULATED AND SOLD BY THE BRAND, AND/OR (2) DEFECTS THAT WERE NOT FOUND AT THE TIME OF SALE DUE TO SCIENTIFIC AND TECHNOLOGICAL REASONS.

This Warranty gives you specific legal rights. You may have other rights, which vary according to the applicable laws and regulations. Where any term of this Warranty is prohibited by such laws, it shall be null and void, but the remainder of this Warranty shall remain in full force and effect.

DISCLAIMER: Any oral statements about the product made by the seller, the Brand, the representatives or any other parties, do not constitute warranties, shall not be relied upon by the user, and are not part of the contract for sale. Seller's and the Brand's only obligation, and buyer's only remedy, shall be the replacement and/or repair by the Brand of the product as described above. Before using, the user shall determine the suitability of the product for his intended use, and user assumes all risk and liability whatsoever in connection therewith.

For technical assistance, parts, or repair, please contact...

888.885.9254 | redlionproducts.com



Form 998931
Rev. 000
05/18



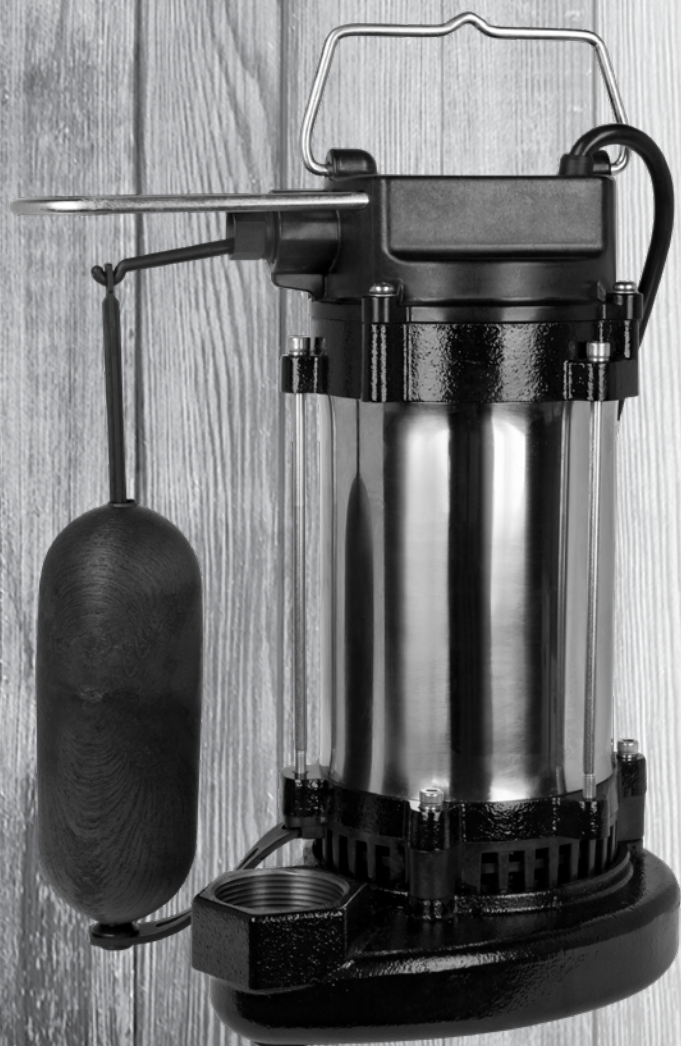
RED LION



RED LION®

FR

FRANÇAIS



POMPES DE PUISARD SÉRIE RLCSS Manuel du propriétaire


Table des matières

Avant de commencer	2
Introduction.....	3
Directives de sécurité	3
Installation	4
Installation typique	5
Câblage.....	6
Spécifications.....	6
Test de fonctionnement du système.....	7
Entretien	7
Dépannage.....	9
Garantie limitée	10

AVANT DE COMMENCER

LISEZ SOIGNEUSEMENT CES INSTRUCTIONS AVANT DE TENTER D'INSTALLER, D'UTILISER OU D'EFFECTUER L'ENTRETIEN DE VOTRE PRODUIT. SOYEZ CONSCIENT(E) DE L'APPLICATION, DES LIMITES ET DES RISQUES POTENTIELS DU PRODUIT. PROTÉGEZ-VOUS ET LES AUTRES PERSONNES EN RESPECTANT TOUTES LES DIRECTIVES DE SÛRETÉ. LE NON-RESPECT DE CES INSTRUCTIONS POURRAIT ENTRAÎNER DES BLESSURES OU DES DOMMAGES MATÉRIELS!


Consultez les plaques signalétiques du produit pour obtenir des directives d'utilisation et des spécifications additionnelles.

Voici le symbole d'alerte de sécurité. Lorsque vous voyez ce  symbole sur votre pompe ou dans ce manuel, recherchez l'un des mots-clés suivants et soyez conscient(e) du risque de blessures ou de dommages matériels s'ils sont ignorés :


 DANGER informe des dangers qui entraîneront des blessures graves, la mort ou des dommages matériels importants s'il est ignoré.


 AVERTISSEMENT informe des dangers qui risquent d'entraîner des blessures graves, la mort ou des dommages matériels importants s'il est ignoré.


 ATTENTION signale des dangers qui entraîneront ou risquent d'entraîner des blessures mineures ou des dommages matériels importants s'il est ignoré.

 REMARQUE indique des instructions spéciales importantes, mais qui ne sont cependant pas liées à des dangers. Consultez et respectez attentivement toutes les directives de sécurité qui figurent dans ce manuel et sur la pompe.




 DANGER N'UTILISEZ PAS L'UNITÉ POUR POMPER DES LIQUIDES INFLAMMABLES OU EXPLOSIFS, COMME DE L'ESSENCE, DU MAZOUT, DU KÉROSÈNE, ETC. N'UTILISEZ PAS L'UNITÉ DANS DES ATMOSPHÈRES EXPLOSIVES OU DES ENDROITS DANGEREUX CLASSÉS COMME TELS PAR NEC, ANSI/NFPA70. LE FAIT DE NE PAS TENIR COMPTE DE CET AVERTISSEMENT PEUT ENTRAÎNER DES DOMMAGES MATÉRIELS, DES BLESSURES OU LA MORT. NE MANIPULEZ PAS LA POMPE OU SON MOTEUR AVEC LES MAINS MOUILLÉES OU AVEC LES PIEDS SUR UNE SURFACE MOUILLÉE OU HUMIDE, OU DANS L'EAU. LE FAIT DE NE PAS TENIR COMPTE DE CET AVERTISSEMENT PEUT ENTRAÎNER UNE DÉCHARGE ÉLECTRIQUE MORTELLE. LA POMPE NE DOIT ÊTRE UTILISÉE QU'AVEC DES LIQUIDES QUI SONT COMPATIBLES AVEC LES MATÉRIAUX DES COMPOSANTS DE LA POMPE.

 AVERTISSEMENT Assurez-vous que la pompe est débranchée de la source d'alimentation avant de réparer l'appareil ou d'en retirer un composant. Si le raccordement à la source d'alimentation n'est pas visible, verrouillez-le en position « ouvert » et étiquetez-le pour éviter la mise sous tension par inadvertance.

 AVERTISSEMENT Cet équipement doit être installé et entretenu par une personne qualifiée sur le plan technique. Au moment d'installer cette unité, il est essentiel de respecter tous les codes nationaux et locaux d'électricité et de plomberie. Une installation qui ne respecte pas les codes nationaux et locaux de l'électricité et de la plomberie ainsi que les recommandations de Red Lion est susceptible de provoquer une décharge électrique, un incendie, un rendement insatisfaisant ou une défaillance de l'équipement. De l'information sur l'installation est disponible auprès des fabricants et des distributeurs de pompes, ou directement auprès de Red Lion au moyen de notre numéro sans frais, 1-888-885-9254.

Cet équipement ne doit pas être utilisé par des enfants ou des personnes dont les capacités physiques, sensorielles ou mentales sont réduites, ou ne possédant pas l'expérience ou l'expertise requise, sauf s'ils sont supervisés ou dirigés. Les enfants ne doivent pas utiliser l'équipement ni jouer avec celui-ci ou à proximité de celui-ci.

 ATTENTION Dans toutes les installations où des blessures ou des dommages matériels peuvent être provoqués par une pompe inopérante ou qui fuit (à cause d'une panne d'électricité, d'une obstruction du conduit de refoulement ou de toute autre raison), un ou des systèmes de secours ou d'alarme doivent être utilisés.

ATTENTION

- L'aire de travail doit être propre, bien éclairée et dégagée.
- Maintenez les étiquettes de sécurité propres et en bon état.
- La pompe ne doit pas fonctionner à vide. Pour assurer un refroidissement optimal et prolonger la durée de vie du moteur, le niveau de liquide pompé doit normalement se trouver au-dessus du haut du boîtier de la pompe.
- Portez des lunettes de protection pendant les travaux d'installation ou de maintenance de la pompe.
- Assurez-vous que toute **L'ALIMENTATION ÉLECTRIQUE EST COUPÉE** avant de brancher des fils électriques. Câblez le système de pompe pour la tension appropriée. Respectez toutes les directives énoncées dans la section « Câblage » du présent manuel relativement au câblage de la pompe.

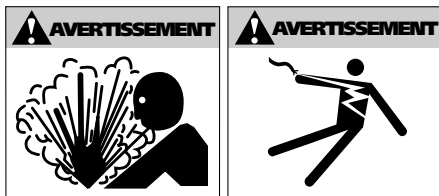
INTRODUCTION

Cette unité est une pompe de puisard submersible pour utilisation dans les bassins ou les stations de relèvement; elle est appropriée pour pomper de l'eau propre. N'utilisez pas cette pompe dans des applications où sont présents d'autres débris (gravier, sable, débris flottants, etc.) ou des substances abrasives ou corrosives.

Ce feuillet d'instructions vous fournit l'information requise pour utiliser votre produit de manière sécuritaire. Conservez ces instructions pour référence ultérieure. Le produit que vous avez acheté utilise des matériaux et provient d'une main-d'œuvre de la plus haute qualité. Il a été conçu pour vous fournir un service durable et fiable. Ce produit a été soigneusement testé, inspecté et emballé pour en assurer la livraison et le fonctionnement sécuritaires. Veuillez examiner votre ou vos articles soigneusement afin de vous assurer qu'aucun dommage ne s'est produit pendant l'expédition. Dans le cas contraire, veuillez communiquer avec le vendeur. Il vous aidera à obtenir un remplacement ou une réparation, le cas échéant.

DIRECTIVES DE SÉCURITÉ

⚠ DANGER Lorsque la pompe est dans un bassin, etc., ne touchez pas le moteur, les tuyaux ou l'eau jusqu'à ce que l'unité soit débranchée ou éteinte. Si le boîtier d'arrêt n'est pas accessible, appelez le service public d'électricité pour couper l'alimentation de la maison, ou appelez votre service d'incendie local pour obtenir des instructions. Le fait de ne pas tenir compte de cet avertissement peut entraîner une décharge électrique mortelle.



⚠ AVERTISSEMENT

RISQUE DE DÉCHARGE ÉLECTRIQUE. Ce produit est fourni avec un conducteur de mise à la terre et une fiche munie d'une attache de mise à la terre. Pour réduire le risque de décharge électrique, assurez-vous de seulement brancher la pompe à une prise électrique correctement mise à la terre. La troisième branche sert à la mise à la terre de la pompe, afin de prévenir tout risque possible de décharge électrique. Ne retirez pas la troisième branche de la fiche.

⚠ AVERTISSEMENT

RISQUE DE DÉCHARGE ÉLECTRIQUE ET D'INCENDIE NE PAS UTILISER UNE RALLONGE ÉLECTRIQUE. La prise de courant doit être à la portée de la fiche du cordon d'alimentation de la pompe. Un incendie ou une décharge électrique pourraient se produire si l'isolant d'une rallonge est endommagé. Une décharge électrique mortelle pourrait se produire si la rallonge tombe dans l'eau.

Comme mesure de sûreté, chaque sortie électrique doit être vérifiée avec un analyseur de circuit répertorié par Underwriters Laboratory. Un tel appareil indiquera si les fils d'alimentation, de connexion neutre et de mise à la terre sont correctement branchés. Si ce n'est pas le cas, appelez un électricien qualifié et autorisé.

⚠ AVERTISSEMENT

Le moteur de la pompe est muni d'un protecteur thermique à réinitialisation automatique et peut redémarrer subitement. Le déclenchement du protecteur est une indication que le moteur est surchargé ou surchauffe, ce qui peut être causé par des problèmes d'application, comme un impulseur de pompe obstrué, un interrupteur coincé en position de mise en marche, une pompe qui fonctionne à vide, une pompe bloquée par de l'air, un cycle court de pompe, une alimentation à tension excessivement élevée ou faible, ou possiblement la fin de la durée de vie utile d'une pompe, d'un moteur, de paliers ou d'un joint d'étanchéité.

⚠ AVERTISSEMENT

Pendant le fonctionnement normal, la pompe est submergée dans l'eau. En outre, de l'eau peut être présente à proximité de la pompe. Il faut donc user de prudence pour prévenir les blessures lorsque l'on travaille à proximité de la pompe :

- L'alimentation électrique doit être débranchée avant de toucher ou de réparer la pompe, ou d'en faire l'entretien.
- Afin de réduire les risques possibles de décharge électrique fatale, une extrême prudence est de rigueur pendant le changement de fusibles. Assurez-vous de ne pas être dans de l'eau lors du changement de fusibles, et n'insérez pas vos doigts dans le socle de fusibles.

⚠ AVERTISSEMENT

Ne mettez pas la pompe en marche dans un bassin vide. Si la pompe fonctionne dans un bassin vide, la surface de la pompe atteindra une température élevée. Cette haute température peut causer des brûlures cutanées si l'on touche à la pompe, et peut endommager sérieusement cette dernière. Pour assurer un refroidissement optimal et prolonger la durée de vie du moteur, le niveau de liquide pompé doit normalement se trouver au-dessus du haut du boîtier de la pompe.

⚠ AVERTISSEMENT

N'huilez pas le moteur. Le boîtier de la pompe est scellé. Une huile diélectrique de haute qualité et exempte d'eau a été versée dans le boîtier du moteur à l'usine. L'utilisation de toute autre huile peut causer des décharges électriques sérieuses et des dommages permanents à la pompe.

⚠ ATTENTION

Le boîtier du moteur de cette pompe contient une huile diélectrique pour le transfert de chaleur du moteur et la lubrification des paliers pendant toute leur durée de vie. Cette huile est non toxique pour la vie aquatique. Cependant, la suffocation peut se produire si de l'huile est laissée à la surface de l'eau. Si de l'huile s'échappe du boîtier du moteur, elle peut être retirée rapidement de la surface en plaçant des journaux sur la surface de l'eau afin d'absorber l'huile.

⚠ ATTENTION CETTE POMPE N'A ÉTÉ ÉVALUÉE QUE POUR UNE UTILISATION AVEC DE L'EAU.

INSTALLATION

⚠ AVERTISSEMENT

Avant l'installation, vérifiez les codes locaux de l'électricité et du bâtiment. L'installation doit respecter leur réglementation, de même que le plus récent Code national de l'électricité (CNE).

1. La pompe doit être installée dans un bassin étanche au gaz approprié d'au moins 18 po (457 mm) de diamètre et 24 po (610 mm) de profondeur et ventilé conformément aux codes locaux de plomberie.
(Remarque : Pour les applications de pompe de puisard, un bassin perforé profond de 18 po x 22 po (457 mm x 559 mm) peut être utilisé si tous les codes de plomberie applicables sont respectés.)
2. Enlevez tout débris dans le bassin et placez la pompe au centre de ce dernier (« Installation Typique »). Un fond solide empêchera la pompe d'être obstruée par du sable et des saletés.
3. La pompe doit être placée sur une surface dure et de niveau. Ne placez jamais la pompe directement sur une surface d'argile, de terre ou de gravier. Ces surfaces comportent de petites roches, du gravier, du sable, etc., qui peuvent obstruer ou endommager la pompe et provoquer sa défaillance.
4. N'essayez pas de restreindre le côté prise de ces pompes. La restriction de la prise peut endommager le joint d'étanchéité et sous-alimenter la pompe. S'il est nécessaire de réduire les débits, une soupape peut être installée sur le côté refoulement de la pompe. Ou si un tuyau flexible en vinyle est utilisé, une bride peut être utilisée sur le tuyau pour restreindre le débit.
5. Connectez la tuyauterie de refoulement. Utilisez une pâte à joint de tuyau sur toutes les connexions. Le tuyau de refoulement doit être aussi court que possible et comporter le moins de coudes possible. Le tuyau de refoulement doit être du même diamètre que celui du refoulement, afin de réduire les pertes par frottement. Un tuyau plus petit restreint la capacité et réduit le rendement de la pompe. La pompe d'égout est livrée avec un refoulement à filetage femelle de 1,5 po (38 mm).
 - a. Soutenez la pompe et la tuyauterie au cours de l'assemblage et de l'installation. Un manquement pourrait entraîner la rupture des tuyaux, la défaillance de la pompe, la défaillance des paliers du moteur, etc.
 - b. Installez toujours un raccord union dans le conduit de refoulement, juste au-dessus du couvercle de bassin, afin de permettre le retrait facile de la pompe à des fins de nettoyage ou de réparation.

6. Un clapet anti-retour doit être utilisé dans le conduit de refoulement pour empêcher un refoulement du liquide dans le bassin. Le clapet anti-retour doit être une vanne à débit direct qui laisse facilement passer les solides.

a. **⚠ ATTENTION**

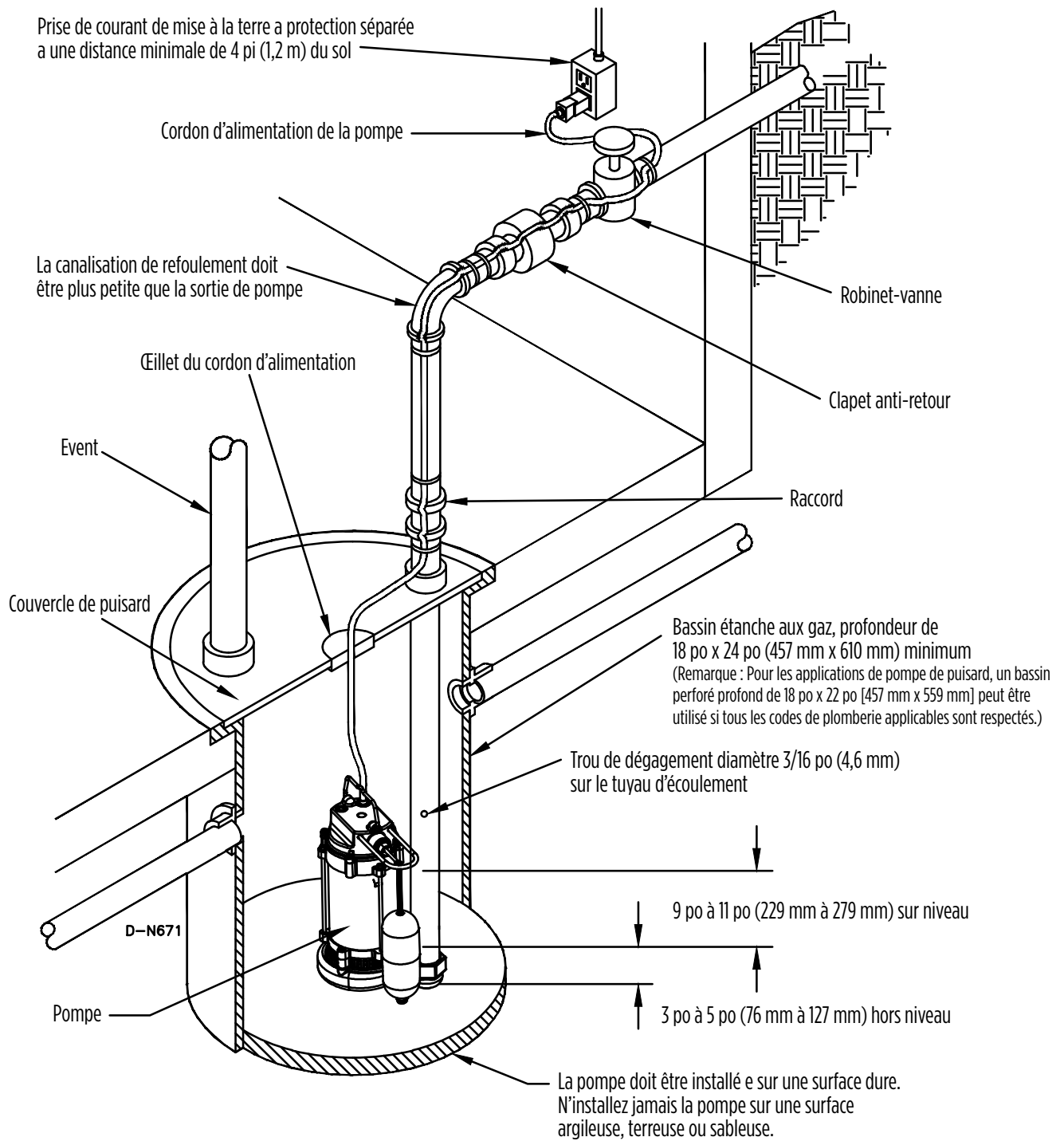
Pour un rendement optimal du clapet anti-retour dans la gestion des solides, installez dans une position horizontale ou à un angle d'au plus 45°. N'installez pas le clapet anti-retour en position verticale, car des solides peuvent se déposer dans le clapet d'et empêcher le clapet d'ouverture au moment du démarrage.

- b. Lorsqu'un clapet anti-retour est utilisé, percez un orifice de sûreté (de 1/8 po ou 3/16 po [3,2 mm ou 4,6 mm] de diamètre) dans le tuyau de refoulement. Cet orifice doit être situé sous le niveau du plancher, entre le refoulement de la pompe et le clapet anti-retour. Si un tel orifice de sûreté n'est pas percé, la pompe peut être « bloquée par de l'air » et ne pas pomper d'eau, même si elle est en marche.
7. Fixez les cordons d'interrupteur et de pompe au conduit de refoulement avec du ruban d'électricien. Cela protégera le cordon de tout dommage.
 8. Testez le fonctionnement du système en suivant les instructions présentées dans la section « Test de fonctionnement du système » de ce manuel. Ne tentez pas de faire fonctionner la pompe sans eau; cela endommagerait les joints d'étanchéité et les paliers, et risquerait de provoquer des dommages permanents à la pompe.
 9. Placez le couvercle par-dessus le bassin. Ce couvercle aide à empêcher des débris d'entrer dans le bassin et protège contre les blessures accidentelles.

⚠ AVERTISSEMENT

Débranchez toujours l'alimentation électrique avant de toucher à la pompe ou au refoulement en présence d'eau dans le bassin. Sinon, une décharge électrique dangereuse pourrait se produire.

INSTALLATION TYPIQUE



CÂBLAGE



⚠ AVERTISSEMENT

Avant l'installation, vérifiez les codes locaux de l'électricité et du bâtiment. L'installation doit respecter leur réglementation, de même que le plus récent Code national de l'électricité (CNE).

Vérifiez l'étiquette de la pompe pour la tension appropriée requise. Ne branchez pas à une tension autre que celle indiquée.

Un disjoncteur de fuite de terre (GFCI) est requis.

La pompe doit être connectée ou branchée sur son propre circuit, sans autre prise ou équipement sur la ligne du circuit. Les fusibles et les disjoncteurs doivent être d'une capacité suffisante dans le circuit électrique. Consultez le tableau ci-dessous :

Pompe	CV	Tension	Intensité de disjoncteur
RL33CSS	1/3	115	15
RL50CSS	1/2	115	15
RL75CSS	3/4	115	15

⚠ AVERTISSEMENT

L'assemblage de cordon à gaine flexible qui est fixé à la pompe ne doit pas être modifié d'une quelconque façon, sauf pour raccourcir le cordon afin de l'adapter à un panneau de commande. Toute épissure entre la pompe et le panneau de commande doit être effectuée dans une boîte de connexion fixée à l'extérieur du bassin, conformément au Code national de l'électricité. Employez un électricien autorisé.

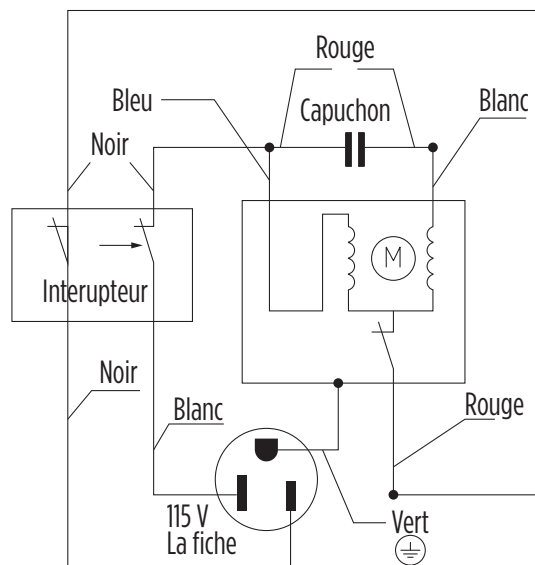
⚠ AVERTISSEMENT

Ne levez pas la pompe au moyen de son cordon d'alimentation.

SPÉCIFICATIONS

Taille d'écoulement	1,5 po (38 mm) FNPT vertical
Taille d'aspiration	Base filtré
Boîtier de la pompe	Acier inoxydable, série 300
Volute	Fonte
Turbine	Plastique
Moteur	Moteur à enroulement à court circuit monophasé avec protecteur à réenclenchement automatique
Arbre moteur	Acier inoxydable martensitique, 420
Attaches	Acier inoxydable, série 300
Roulements	Bille à la base, manchon sur les dessus
Joint étanche de l'arbre du moteur	Acier du carbone joint en carbone fixe mécanique à ressort, avec enveloppe en nitrile et siège rotatif en céramique.
Cordon D'alimentation	18 AWG 3-conducteurs, cuivre, à torsions, 10 pi (3 m) de long
Refroidissement	Le boîtier du moteur renferme une huile de refroidissement pour le moteur, qui lubrifiera aussi les paliers et les joints d'étanchéité. Même si le boîtier du moteur était partiellement exposé, ces pompes pourraient fonctionner pour de longues périodes de temps, à condition que le refroidissement et la lubrification soient adéquats. Toutefois, il est recommandé que le niveau du liquide à pomper soit au-dessus du boîtier de fonte afin d'assurer le meilleur refroidissement possible et de prolonger la durée de vie du moteur.

Schéma électrique



TEST DE FONCTIONNEMENT DU SYSTÈME

Test de fonctionnement de pompe automatique

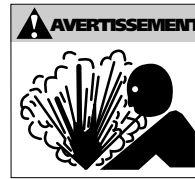
1. Les pompes automatiques de la série RLCSS son munies d'un interrupteur mécanique à flotteur intégré. Le fonctionnement automatique est obtenu par l'intermédiaire du cordon de pompe.
2. Lorsque ces pompes sont installées dans un bassin avec un couvercle scellé, le fonctionnement de l'interrupteur ne peut pas être observé. Le couvercle de bassin comporte habituellement un trou de rechange qui peut être bouché avec un bouchon en caoutchouc. Ce bouchon peut être retiré pour observer le fonctionnement de l'interrupteur.
3. Branchez le cordon d'alimentation dans une prise mise à la terre dont la tension est cohérente avec la tension de la pompe indiquée sur la plaque signalétique de celle-ci.
4. Assurez-vous que le robinet-vanne du conduit de refoulement est ouvert.
5. Faites couler de l'eau dans le bassin jusqu'à ce que la pompe principale démarre.
 - a. N'essayez pas de faire fonctionner la pompe sans eau; cela risquerait de provoquer des dommages permanents à la pompe.
6. Confirmez que la pompe et son interrupteur de commande fonctionnent comme ils le devraient.
7. Assurez-vous que les niveaux MARCHE-ARRÊT sont conformes aux spécifications et qu'aucune obstruction éventuelle n'est susceptible d'entraver le fonctionnement de l'interrupteur.
8. Confirmez l'absence de toute fuite dans la plomberie de refoulement de la pompe et dans le tuyau de drainage principal de la maison.
 - a. Il est normal qu'un filet d'eau s'échappe de l'orifice de prise d'air de la plomberie de la pompe. Assurez-vous que ce filet est recueilli à l'intérieur du bassin.
9. Laissez la pompe fonctionner pendant plusieurs cycles de marche/arrêt.

Si la pompe ne fonctionne pas correctement, consultez le tableau de dépannage. Si le problème ne peut toujours pas être identifié, veuillez communiquer avec le vendeur. Il vous aidera à obtenir un remplacement ou une réparation, le cas échéant.

Ne laissez pas l'unité fonctionner à vide (sans liquide). Elle est conçue pour être refroidie par le fluide pompé. Vous pouvez endommager le joint d'étanchéité et faire défaillir le moteur si la pompe fonctionne à vide.

Si l'unité doit être laissée inutilisée pendant une certaine période, suivez les instructions de nettoyage présentées dans la prochaine section. Ne laissez pas l'unité geler. Cela peut causer des fissures ou des distorsions qui peuvent détruire l'unité.

ENTRETIEN



ATTENTION

Avant d'effectuer des travaux sur la pompe ou l'interrupteur, vous devez toujours débrancher le cordon d'alimentation de la pompe, en plus de retirer le fusible ou de couper le disjoncteur.

Cette unité est lubrifiée de manière permanente. Il n'est pas nécessaire de la huiler. N'ouvrez en aucun cas la portion scellée de l'unité et ne retirez jamais les vis du boîtier.

REMARQUE

Inspectez et testez l'état et le fonctionnement du système tous les trois mois (plus fréquemment en cas d'utilisation intensive).

1. Laissez la pompe se refroidir pendant au moins deux heures avant d'en faire l'entretien.
 - a. Les pompes submersibles contiennent de l'huile qui est sous pression et chaude pendant les conditions de fonctionnement normales.
2. Inspectez les cordons d'alimentation et la prise électrique pour la présence de dommages ou de corrosion.
 - a. Le cordon d'alimentation de ces unités ne peut pas être remplacé. En cas de dommages, l'unité au complet doit être remplacée.
3. Passez en revue les composants du système de pompe (bassin, pompe, interrupteur, etc.) afin de détecter la présence de toute accumulation (boues, sédiments, minéraux, etc.) susceptible de nuire au bon fonctionnement des composants.
 - a. Si ces accumulations sont importantes, retirez-les ou remplacez les composants touchés.
4. Confirmez que les colliers de serrage de tous les raccords flexibles sont correctement fixés et bien serrés.
5. Testez le fonctionnement du système en suivant les instructions présentées dans la section « Test de fonctionnement du système » de ce manuel.
6. Pendant le fonctionnement de la pompe, assurez-vous que de l'eau s'échappe de l'orifice de prise d'air.
 - a. Sinon, retirez tous les dépôts et débris qui se trouveraient dans l'orifice.

ENTRETIEN

Nettoyage de l'impulseur et de la volute

Le nettoyage périodique des composants de la pompe prolongera la durée de vie et l'efficacité de la pompe.

1. Retirez les trois boulons (1) qui fixent la volute (2) à la boîte (3), puis séparez la volute (2), plaque (4), et l'écran (5) de la boîte (3).

2. **⚠ AVERTISSEMENT**

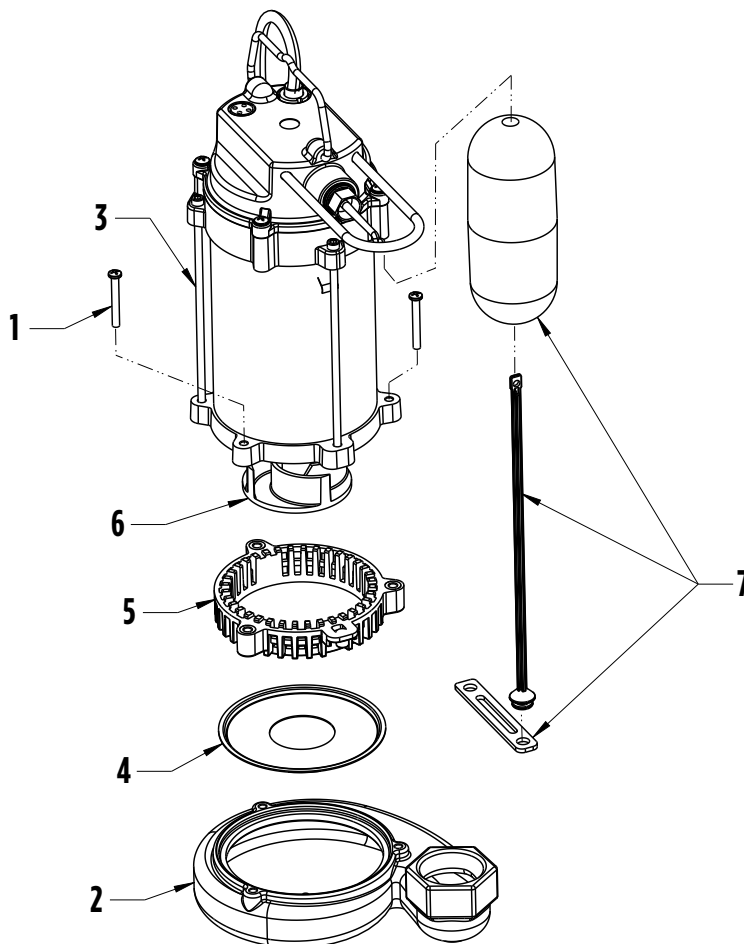
Ne retirez pas le couvercle du boîtier du moteur. La garantie est annulée si le couvercle du boîtier du moteur, l'impulseur ou les joints d'étanchéité ont été retirés.

3. Retirez tous les débris (gravier, sable, débris flottants, etc.) du bassin de puisard.
4. Nettoyez l'impulseur (6), l'écran (5) et le passage de volute (2). N'utilisez pas de solvants forts.

a. **⚠ ATTENTION**

Ne retirez pas l'impulseur. Le retrait de l'impulseur exige des outils spéciaux et ne doit être effectué que par un centre de service autorisé.

5. Assurez-vous que l'impulseur tourne librement après le nettoyage.
6. Placez la volute (2), la plaque (4) et l'écran (5) au boîtier (3) et fixer-la avec les trois boulons (1).



DÉPANNAGE

Problème	Causes probables	Mesure corrective
La pompe ne démarre pas.	La pompe n'est pas branchée.	Branchez la pompe.
	Disjoncteur éteint ou fusible retiré.	Activez le disjoncteur ou remplacez le fusible.
	Accumulation de déchets sur le flotteur.	Nettoyez le flotteur.
	Obstruction du flotteur.	Vérifiez la trajectoire du flotteur et assurez son dégagement.
	Interrupteur défectueux.	Remplacez l'interrupteur.
	Moteur défectueux.	Remplacez la pompe.
La pompe ne s'arrête pas.	Obstruction du flotteur ou de sa tige.	Vérifiez la trajectoire du flotteur et de sa tige et assurez leur dégagement.
	La pompe est bloquée par de l'air.	Retirez la pompe et nettoyez-la.
	Le débit d'entrée de liquide atteint la capacité de la pompe.	Une pompe de plus grande taille est requise.
	Interrupteur défectueux.	Remplacez l'interrupteur.
La pompe fonctionne, mais ne refoule pas de liquide.	Le clapet anti-retour est installé à l'envers.	Vérifiez la flèche qui indique le débit sur le corps du clapet anti-retour, afin de vous assurer que ce clapet est installé correctement.
	Clapet anti-retour coincé ou obstrué.	Retirez le clapet anti-retour et inspectez-le pour vérifier son bon fonctionnement.
	L'élévation est trop élevée pour la pompe.	Vérifiez le rendement nominal de la pompe.
	L'aspiration vers l'impulseur est obstruée.	Retirez la pompe et nettoyez-la.
	La pompe est bloquée par de l'air.	Retirez la pompe et nettoyez-la.
La pompe ne fonctionne pas à sa capacité nominale.	L'élévation est trop élevée pour la pompe.	Vérifiez le rendement nominal de la pompe.
	Faible tension, vitesse trop lente.	Vérifiez la tension appropriée d'alimentation, pour vous assurer qu'elle correspond à la tension sur la plaque signalétique.
	Le tuyau de refoulement ou l'impulseur est obstrué.	Retirez la pompe et nettoyez-la. Vérifiez le tuyau pour la présence d'entartrage ou de corrosion.
	Usure de l'impulseur à cause d'éléments abrasifs.	Remplacez la pompe.
La pompe effectue continuellement des cycles.	Aucun clapet anti-retour n'est installé sur le long tuyau de refoulement afin de permettre au liquide de retourner dans le bassin.	Installez un clapet anti-retour sur le conduit de refoulement.
	Fuite du clapet anti-retour.	Inspectez le clapet anti-retour pour vérifier son bon fonctionnement.
	Bassin trop petit pour le débit entrant.	Installez un bassin de plus grande taille.

GARANTIE LIMITÉE

CETTE GARANTIE (« GARANTIE ») DÉCRIT LES SEULES OBLIGATIONS DE LA MARQUE ET LES RECOURS EXCLUSIFS DE L'ACHETEUR EN CAS DE DÉFECTUOSITÉ.

La marque de Red Lion[®] (ci-après « la Marque ») garantissent que les produits accompagnés de cette Garantie sont exempts de défauts quant aux matériaux ou à la main-d'œuvre qui existent au moment de la vente par la Marque et qui se produisent ou existent pendant la période applicable de garantie indiquée ci-dessous. Tout distributeur, sous-distributeur, destinataire, utilisateur final ou consommateur convient qu'en accusant réception des produits, le distributeur, le sous-distributeur, le destinataire, l'utilisateur final ou le consommateur accepte explicitement de se soumettre aux conditions de la présente Garantie.

I. Période de garantie en vigueur

Les produits accompagnés par la présente Garantie seront couverts par cette Garantie pour une période de 36 mois à partir de la date d'achat d'origine par le consommateur. À défaut d'une preuve appropriée de date d'achat, la période de garantie de ce produit commencera à partir de la date de fabrication dudit produit.

II. Instructions relatives à la présente Garantie

1. Les consommateurs qui désirent soumettre une réclamation de garantie doivent retourner les produits accompagnés de la présente Garantie au point d'achat pour étude de garantie.
2. En cas de découverte d'un défaut, toute blessure, tout dommage matériel et tout autre type de dommages qui en résultent, le cas échéant, seront atténués de manière raisonnable et dans la mesure du possible.
3. À sa discrétion, la Marque peut inspecter les produits à ses installations ou sur le terrain; et après étude d'une réclamation de garantie, peut à sa discrétion réparer ou remplacer les pièces défectueuses. La livraison des pièces réparées ou remplacées sera prépayée par la Marque.
4. La présente Garantie ne couvre aucun frais de main-d'œuvre ou d'expédition. La Marque ne pourra pas être tenue responsable de coûts ou frais quelconques associés au test, à la maintenance, à l'installation, à la réparation ou au retrait d'un produit, ou à tout outil ou équipement ou à toute fourniture nécessaires pour installer, réparer ou retirer un produit.

III. Restrictions relatives à la présente Garantie

CETTE GARANTIE NE S'APPLIQUE À AUCUN DES CAS SUIVANTS :

1. Balais, impulseur ou came sur les modèles avec des moteurs à balai ou des impulseurs à aubes flexibles.
2. Tout produit qui n'est pas installé, appliqué, entretenu et utilisé conformément aux instructions publiées par la Marque, aux codes en vigueur, aux règlements applicables et aux normes généralement acceptées par l'industrie.
3. Tout produit qui a été soumis à une mauvaise utilisation ou application, à de la négligence, à une altération, à un accident, à un abus, à du vandalisme, à des actes de la nature (y compris la foudre), à des actes terroristes, à des actes de guerre, au feu, à une installation ou à un entreposage inappropriés, à une utilisation inadéquate, à une maintenance ou à une réparation inappropriées, à des dommages et à des accidents, ou au dépassement des maximums recommandés dans les instructions du produit.
4. Tout produit qui est utilisé avec tout accessoire, équipement ou composant ou toute pièce qui ne sont pas explicitement approuvés par la Marque.
5. L'utilisation de pièces de rechange qui ne sont pas vendues par la Marque, l'ajout non autorisé de produits de tiers à d'autres produits de la Marque et l'altération non autorisée de produits de la Marque.
6. Produits endommagés par l'usure normale, les services de maintenance normale et les pièces utilisées avec de tels services, ou toute autre condition au-delà du contrôle de la Marque.
7. Tout produit qui a été utilisé à des fins autres que celles pour lesquelles il a été conçu et fabriqué.
8. Toute utilisation du produit alors que les instructions d'installation ou d'utilisation n'ont pas été respectées.
9. Les produits dans lesquels la pompe a été utilisée pour pomper ou faire circuler des liquides autres que de l'eau douce à température ambiante.
10. Produits où la pompe a été exposée à l'un des éléments suivants : sable, gravier, ciment, graisse, plâtre, boue, goudron, hydrocarbures, dérivés d'hydrocarbure (huile, essence, solvants, etc.) ou autres substances abrasives ou corrosives.
11. Les produits dans lesquels la pompe a été utilisée pour pomper ou faire circuler des liquides autres que de l'eau douce à température ambiante.

12. Produits dont la pompe a fonctionné à vide (alimentation en fluide coupée).
13. Produits dont le boîtier scellé du moteur a été ouvert, ou qui ont été démontés d'une quelconque façon par le client.
14. Produits dont le cordon a été coupé à une longueur de moins de 3 pi (91 cm).

La Marque se réserve le droit en tout temps, et de temps à autre, d'apporter des modifications à la conception ou des améliorations à ses produits, sans par ce fait même s'imposer une quelconque obligation d'effectuer des modifications ou améliorations correspondantes à ses produits déjà fabriqués ou vendus. La Marque se réserve également le droit de substituer des pièces ou des composants de qualité similaire dans le cadre de tout service de garantie exigé par l'exécution de la présente Garantie.

Cette Garantie constitue la garantie complète autorisée et offerte par la Marque. Il n'existe pas de garanties ou de déclarations autres que celles stipulées dans le présent document.

CETTE GARANTIE ET CES RECOURS REMPLACENT TOUTES LES AUTRES GARANTIES ET TOUTS LES AUTRES RECOURS, Y COMPRIS SANS S'Y LIMITER, DES GARANTIES DE VALEUR MARCHANDE OU D'ADÉQUATION À UNE UTILISATION PARTICULIÈRE, QUI SONT PAR LA PRÉSENTE EXPLICITEMENT DÉCLINÉES ET EXCLUES. LA CORRECTION DE TOUTES LES NON-CONFORMITÉS, DE LA MANIÈRE ET POUR LA PÉRIODE ÉNONCÉES CI-DESSUS, CONSTITUERA L'EXÉCUTION COMPLÈTE DE TOUTES LES OBLIGATIONS DE LA MARQUE ENVERS L'ACHETEUR, QUE CELA SOIT FONDÉ SUR UN CONTRAT, LA NÉGLIGENCE OU AUTRE.

LA MARQUE NE POURRA PAS ÊTRE TENUE RESPONSABLE DES DOMMAGES ACCESSOIRES, INDIRECTS OU SPÉCIAUX TELS QUE, SANS S'Y LIMITER :

UN DOMMAGE OU LA PERTE DE TOUTE AUTRE PROPRIÉTÉ OU DE TOUT AUTRE ÉQUIPEMENT, LA PERTE DE JOUISSANCE D'UN ÉQUIPEMENT, D'INSTALLATIONS OU D'UN SERVICE, LA PERTE DE PROFITS OU DE VENTES, LE COÛT D'ACHATS OU DE BIENS DE REMPLACEMENT, LES RÉCLAMATIONS DE CLIENTS DE L'ACHETEUR, LE DÉFAUT D'AVERTIR OU DE FOURNIR DES INSTRUCTIONS, LA PERTE D'AUTRES PRODUITS OU LES COÛTS D'ASSAINISSEMENT ENVIRONNEMENTAL OU LA BAISSÉ DE LA VALEUR DE LA PROPRIÉTÉ. LES RECOURS DE L'ACHETEUR ÉNONCÉS DANS LA PRÉSENTE SONT EXCLUSIFS, ET LA RESPONSABILITÉ DE LA MARQUE NE POURRA PAS, SAUF MENTION EXPLICITE DANS LA PRÉSENTE, DÉPASSER LE PRIX DES PRODUITS AUXQUELS CETTE RESPONSABILITÉ S'APPLIQUE. LES DOMMAGES ÉNONCÉS DANS CE PARAGRAPHE SERONT ATTÉNUÉS DE MANIÈRE RAISONNABLE ET DANS LA MESURE DU POSSIBLE. CE PARAGRAPHE S'APPLIQUERA ÉGALEMENT À TOUTS LES DOMMAGES CAUSÉS PAR DES CONDITIONS ÉNONCÉES DANS LA SECTION III CI-DESSUS ET (1) LES DÉFAUTS DANS LES PROTOTYPES DE PRODUITS OU LES PROTOTYPES DE PIÈCES DE REMPLACEMENT QUI N'ONT PAS ÉTÉ MIS EN PRODUCTION, DISTRIBUÉS ET VENDUS PAR LA MARQUE ET (2) LES DÉFAUTS QUI N'ONT PAS ÉTÉ DÉCOUVERTS AU MOMENT DE LA VENTE POUR DES RAISONS SCIENTIFIQUES OU TECHNOLOGIQUES.

Cette Garantie vous confère des droits particuliers. Vous pourriez bénéficier d'autres droits selon les lois et les règlements en vigueur. Si une disposition de la présente Garantie est interdite par lesdites lois, elle sera considérée comme nulle et non avenue, mais les autres dispositions de la présente Garantie demeureront pleinement en vigueur.

NON-RESPONSABILITÉ : Toute affirmation verbale à propos du produit effectuée par le vendeur, la Marque, les représentants ou d'autres parties ne constitue pas de garanties, ne doit pas être considérée par l'utilisateur et ne fait pas partie du contrat de vente. Les seules obligations du vendeur et de la Marque et les seuls recours de l'acheteur seront le remplacement ou la réparation du produit par la Marque comme décrit ci-dessus. Avant l'utilisation, l'utilisateur devra déterminer l'adéquation du produit avec l'usage auquel il est destiné; et l'utilisateur assumera toutes les responsabilités et tous les risques connexes.

Pour l'aide technique, des parties ou la réparation, entrez s'il vous plaît en contact... 888.885.9254 | redlionproducts.com



Form 998931
Rév. 000
05/18



RED LION



RED LION®

ES ESPAÑOL



BOMBAS PARA SUMIDEROS

Serie RLCSS

Manual del propietario

Índice


Antes de empezar.....	2
Introducción	3
Pautas de seguridad.....	3
Instalación	4
Instalación típica.....	5
Cableado.....	6
Especificaciones	6
Pruebas de funcionamiento del sistema de la bomba	7
Mantenimiento.....	7
Solución de problemas.....	9
Garantía limitada.....	11


ANTES DE EMPEZAR


LEA ATENTAMENTE ESTAS INSTRUCCIONES ANTES DE INTENTAR INSTALAR, OPERAR O INSPECCIONAR SU PRODUCTO. CONOZCA LAS APLICACIONES, LAS LIMITACIONES Y LOS POSIBLES PELIGROS DEL PRODUCTO. LEA TODA LA INFORMACIÓN DE SEGURIDAD A FIN DE PROTEGERSE Y PROTEGER A LOS DEMÁS. EL INCUMPLIMIENTO DE ESTAS INSTRUCCIONES PUEDE PROVOCAR LESIONES O DAÑOS A LA PROPIEDAD.


Vea las placas de datos del producto para obtener instrucciones de operación y especificaciones adicionales.

Este es el símbolo de alerta de seguridad. Cuando vea este símbolo  en su bomba o en este manual, busque alguna de las siguientes palabras de señalización y esté alerta a la posibilidad de lesiones personales o daños a la propiedad si se ignoran:


 PELIGRO Este símbolo advierte sobre peligros que ocasionarán lesiones graves, la muerte o daños mayores a la propiedad si son ignorados.


 ADVERTENCIA Este símbolo advierte sobre peligros que pueden ocasionar lesiones graves, la muerte o daños mayores a la propiedad si son ignorados.


 PRECAUCIÓN Este símbolo advierte sobre peligros que ocasionarán o podrán ocasionar lesiones personales menores o daños mayores a la propiedad si son ignorados.

 AVISO Este símbolo indica instrucciones especiales que son importantes, pero que no están asociadas a peligros. Lea detenidamente y cumpla todas las instrucciones de seguridad que aparecen en este manual y en la bomba.




 PELIGRO NO LA UTILICE PARA BOMBLEAR FLUIDOS INFLAMABLES O EXPLOSIVOS TALES COMO GASOLINA, COMBUSTIBLE, KEROSENE, ETC. NO UTILICE EN ATMÓSFERAS EXPLOSIVAS O UBICACIONES PELIGROSAS TALES COMO CLASIFICADAS POR EL NEC, ANSI/NFPA70. EL INCUMPLIMIENTO DE ESTA ADVERTENCIA PUEDE PROVOCAR DAÑOS A LA PROPIEDAD, LESIONES PERSONALES O LA MUERTE. NO MANIPULE UNA BOMBA NI EL MOTOR DE UNA BOMBA CON LAS MANOS MOJADAS O PARADO SOBRE UNA SUPERFICIE MOJADA, HÚMEDA O SOBRE AGUA. EL INCUMPLIMIENTO DE ESTA ADVERTENCIA PUEDE PROVOCAR DESCARGAS ELÉCTRICAS LETALES. LA BOMBA SOLO DEBE USARSE CON LÍQUIDOS COMPATIBLES CON SUS MATERIALES COMPONENTES.

 ADVERTENCIA Asegúrese de que la unidad esté desconectada de la fuente de alimentación antes de intentar realizar mantenimiento o quitar cualquier componente. Si el interruptor de alimentación no está a la vista, bloquéelo en posición abierta y etiquételo para evitar una aplicación imprevista de alimentación eléctrica.

 ADVERTENCIA Este equipo debe ser instalado e inspeccionado por personal técnicamente calificado. Cumpla con los códigos nacionales y locales de electricidad y plomería cuando instale esta unidad. Si la bomba no se instala según las regulaciones locales y nacionales de electricidad y plomería, y las recomendaciones de Red Lion, esto podría resultar en descargas eléctricas, riesgos de incendio, rendimiento insatisfactorio o fallas del equipo. Se puede obtener información para la instalación a través de los fabricantes o distribuidores de la bomba, o llamando directamente a Red Lion a nuestra línea gratuita, 1-888-885-9254.

No deben usar este equipo los niños o las personas con capacidades físicas, sensoriales o mentales reducidas o las personas sin experiencia, a menos que estén supervisados o se les den instrucciones. Los niños no deben usar ni jugar con el equipo o en sus cercanías.

 PRECAUCIÓN En toda instalación en donde puedan producirse daños a la propiedad o lesiones personales por una bomba no operativa o con pérdidas debido a cortes de energía, obstrucciones en la línea de descarga u otro motivo, se debe usar un sistema auxiliar o una alarma.

PRECAUCIÓN

- Mantenga el área de trabajo limpia, bien iluminada y despejada.
- Mantenga las etiquetas de seguridad limpias y en buenas condiciones.
- No opere la bomba en seco. Para una refrigeración óptima y para prolongar la vida útil del motor, el nivel del líquido que se bombea debe estar normalmente por encima de la parte superior de la carcasa de la bomba.
- Use gafas de seguridad mientras está instalando o dando mantenimiento a la bomba.
- Asegúrese de que toda la **ALIMENTACIÓN ELÉCTRICA ESTÉ APAGADA** antes de conectar cualquier cable eléctrico. Conecte el sistema de la bomba según los voltajes correctos. Siga todas las instrucciones de cableado de la bomba que se proporcionan en la sección "Cableado" de este manual.

INTRODUCCIÓN

Esta es una bomba sumergible de sumidero es para usar en recipientes o estaciones de elevación y es adecuada para bombear agua limpia. No use la bomba en aplicaciones donde haya aguas residuales, otros residuos (grava, arena, residuos flotantes, etc.) o elementos abrasivos o corrosivos.

Esta hoja de instrucciones le proporciona la información necesaria para poseer y operar el producto de manera segura. Conserve estas instrucciones para consultarlas en el futuro. El producto que compró tiene una mano de obra y materiales de la más alta calidad y se diseñó para ofrecerle un servicio confiable y duradero. Este producto pasa por un proceso exhaustivo de pruebas, inspección y embalaje para garantizar una entrega y un funcionamiento seguros. Examine los artículos cuidadosamente para garantizar que no hayan sufrido daños durante el envío. Si ha sufrido daños, comuníquese con el lugar donde lo compró. Recibirá ayuda para efectuar reemplazos o reparaciones, en caso de ser necesario.

PAUTAS DE SEGURIDAD

⚠ PELIGRO Cuando una bomba está en un recipiente, etc., no toque el motor, las tuberías ni el agua hasta que se desconecte o se cierre la unidad. Si la caja de cierre no está al alcance, comuníquese con la empresa eléctrica para cancelar el servicio al hogar o comuníquese con el departamento de bomberos local para obtener instrucciones. El incumplimiento de esta advertencia puede provocar descargas eléctricas letales.



⚠ ADVERTENCIA
RIESGO DE DESCARGA ELÉCTRICA. Este producto viene con un conductor a tierra y un enchufe con conexión a tierra. Para reducir el riesgo de descarga eléctrica, asegúrese que se conecte solo a un receptáculo del tipo con conexión a tierra que esté conectado apropiadamente a tierra. La tercer punta es para conectar la bomba a tierra con el fin de evitar posibles peligros de descarga eléctrica. No retire la tercera punta del enchufe.

⚠ AVERTISSEMENT
RIESGO DE DESCARGA ELÉCTRICA E INCENDIO NO UTILICE UN CABLE DE EXTENSIÓN. El tomacorriente debe estar al alcance del enchufe del cable de alimentación de la bomba. Podría existir un riesgo de incendio o descarga eléctrica si se dañara el aislamiento de un cable de extensión. Podría ocurrir una descarga eléctrica fatal si el cable de extensión cayera en el agua.

Como una medida de seguridad, se debe verificar cada salida eléctrica con un analizador de circuito indicado de Underwriters Laboratories. Esto indicará si los cables de conexión a tierra, neutrales y de alimentación eléctrica están conectados correctamente. Si no lo están, comuníquese con un electricista calificado con licencia.

⚠ ADVERTENCIA

El motor de la bomba tiene un protector térmico con reajuste automático y puede reiniciarse en cualquier momento. El disparo del protector indica la sobrecarga/recalentamiento del motor, lo cual puede ser causado por problemas de aplicación como un impulsor de bomba obstruido, un interruptor atascado en la posición ON (Encendido), una bomba que está funcionando en seco, aire bloqueado en la bomba, ciclaje corto de la bomba, suministro de voltaje excesivamente alto o bajo, o posiblemente una bomba, motor, rodamientos o sellos que han alcanzado el final de su vida útil.

⚠ ADVERTENCIA

Durante el funcionamiento normal, la bomba está sumergida en agua. Además, es posible que haya agua alrededor de la bomba. Deben tomarse precauciones para evitar lesiones corporales al trabajar cerca de la bomba:

- Se debe desconectar la alimentación eléctrica antes de tocar, inspeccionar o reparar la bomba.
- Para minimizar la posibilidad de riesgos de una descarga eléctrica fatal, se debe tener extremo cuidado cuando se cambian los fusibles. No se pare sobre agua mientras cambia los fusibles ni inserte el dedo en el enchufe de los fusibles.

⚠ ADVERTENCIA

No opere la bomba en un recipiente seco. Si la bomba se opera en un recipiente seco, la temperatura de la superficie de la bomba se elevará a un nivel alto. Si la bomba se toca, este nivel alto podría ocasionar quemaduras en la piel y provocará daños graves a la bomba. Para una refrigeración óptima y para prolongar la vida útil del motor, el nivel del líquido que se bombea debe estar normalmente por encima de la parte superior de la carcasa de la bomba.

⚠ ADVERTENCIA

No engrase el motor. La carcasa de la bomba está sellada. En la fábrica, se colocó un aceite dieléctrico de alto grado carente de agua en el motor. El uso de otro aceite podría causar descargas eléctricas graves o daños permanentes a la bomba.

⚠ PRECAUCIÓN

La carcasa del motor de esta bomba contiene un aceite dieléctrico para la transferencia de calor del motor y para la lubricación permanente de los rodamientos. Este aceite no es tóxico para la vida acuática. Sin embargo, si el aceite se deja en la superficie del agua, puede producirse asfixia. Si el aceite se escapa de la carcasa del motor, se puede retirar rápidamente de la superficie al colocar periódicos en la superficie del agua con el fin de absorber el aceite.

⚠ PRECAUCIÓN

ESTA BOMBA HA SIDO EVALUADA PARA USO CON AGUA SOLAMENTE.

INSTALACIÓN

⚠️ ADVERTENCIA

Verifique los códigos locales de electricidad y de edificación antes de la instalación. La instalación se debe llevar a cabo de acuerdo con las regulaciones, así como también con el Código Eléctrico Nacional vigente (National Electrical Code, NEC).

1. Se debe instalar la bomba en un recipiente hermético contra gas adecuado que tenga al menos 18 pulg. (457 mm) de diámetro y 24 pulg. (610 mm) de profundidad, y que esté ventilado de acuerdo con los códigos locales de plomería.

(Nota: Para aplicaciones de bomba en sumideros, se puede usar un recipiente perforado de 18 pulg. x 22 pulg. (457 mm x 559 mm) de profundidad, de acuerdo con todos los códigos de plomería aplicables).

2. Limpie los residuos del recipiente y coloque la bomba en el centro del recipiente (“Instalación típica”). Un fondo sólido evitará que la bomba se obstruya con arena y suciedad.
3. La bomba debe colocarse en una superficie nivelada y dura. Nunca coloque la bomba directamente sobre arcilla, tierra o superficies de grava. Estas superficies contienen pequeñas piedras, gravas, arena, etc. que pueden obstruir o dañar la bomba y causar fallas en esta.
4. No intente restringir el lateral de acceso de estas bombas. Al restringir el acceso puede ocasionar daños en el sello y en la bomba. Si requiere de velocidades de flujo reducidas, coloque una válvula en el lateral de descarga de la bomba. O bien, si se usan tuberías flexibles de vinilo, se puede usar una abrazadera en las tuberías para restringir el flujo.
5. Conecte las tuberías de descarga. Use un compuesto de unión de tubo en todas las conexiones. Las tuberías de descarga deben ser lo más cortas posible y contener la menor cantidad de codos posible. Las tuberías de descarga deben tener el mismo diámetro que el tamaño de descarga para reducir las pérdidas de fricción de la tubería. Las tuberías más pequeñas restringirán la capacidad y reducirán el rendimiento de la bomba. Las tuberías del sumidero vienen con una descarga de rosca de la tubería hembra de 1.5 pulg. (38 mm).
 - a. Sostenga la bomba y la tubería durante el ensamblaje y cuando estén instaladas. Si esto no se realiza, la tubería se puede romper, la bomba puede tener fallas, los cojinetes del motor pueden tener fallas, etc.
 - b. Siempre instale una unión en la línea de descarga, justo por encima de la cubierta del recipiente, para poder retirar fácilmente la bomba para limpiarla o repararla.

6. Se debe usar una válvula de retención en la línea de descarga para evitar que el flujo de líquido vuelva al recipiente. La válvula de retención debe ser una válvula de flujo libre que deje pasar los sólidos fácilmente.

⚠️ PRECAUCIÓN

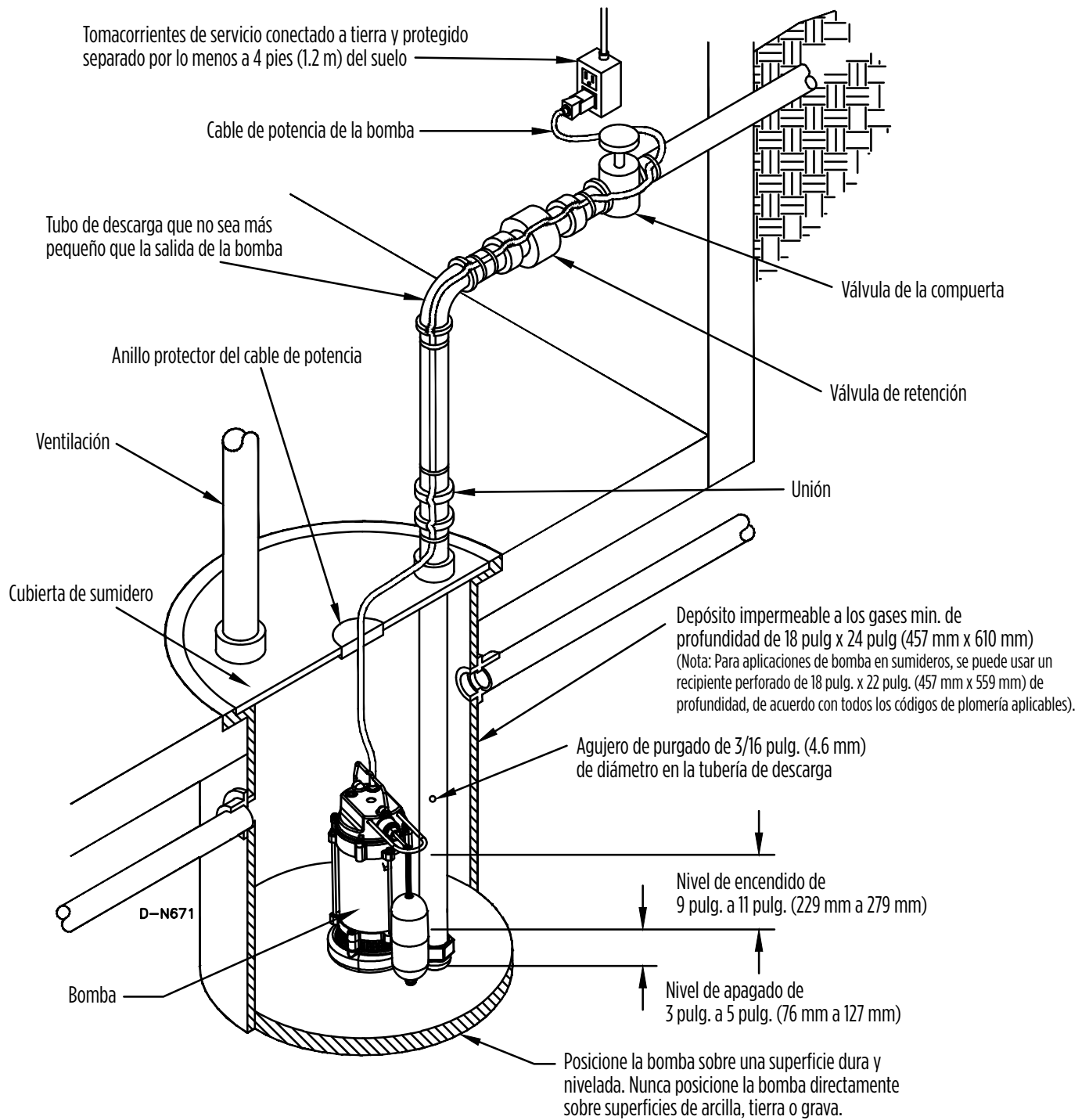
Para un mejor rendimiento de la válvula de retención en cuanto al manejo de los sólidos, instálela en posición horizontal o en un ángulo no mayor que 45°. No instale la válvula de retención en posición vertical, ya que los sólidos pueden asentarse en la válvula y; por lo tanto, evitar que la válvula de apertura en el arranque.

- b. Cuando se utiliza una válvula de retención, perforo un orificio de alivio (1/8 pulg. [3.2 mm] o 3/16 pulg. [4.6 mm] de diámetro) en la tubería de descarga. Este orificio debe estar ubicado debajo de la línea del suelo entre la descarga de la bomba y la válvula de retención. A menos que se proporcione el orificio de alivio, la bomba podría “bloquear el aire” y no bombeará agua, aunque sí funcionará.
7. Pegue con cinta de electricista la bomba y los cables del interruptor a la línea de descarga. Esto evitará que el cable se dañe.
 8. Pruebe la operación del sistema de bomba siguiendo las instrucciones detalladas de la sección “Pruebas de funcionamiento del sistema de la bomba” de este manual. No intente operar la bomba sin agua; esto dañará los sellos y los rodamientos, y podría dar lugar a un daño permanente en la bomba.
 9. Coloque una cubierta sobre el recipiente. Esta cubierta ayudará a evitar que los residuos ingresen a la fosa y la protegerá de lesiones accidentales.

⚠️ ADVERTENCIA

Siempre desconecte la alimentación eléctrica antes de tocar la bomba o descargue el agua que pueda haber en el recipiente. El incumplimiento de esta advertencia puede provocar descargas eléctricas peligrosas.

INSTALACIÓN TÍPICA



CABLEADO



⚠️ ADVERTENCIA

Verifique los códigos locales de electricidad y de edificación antes de la instalación. La instalación se debe llevar a cabo de acuerdo con las regulaciones, así como también con el Código Eléctrico Nacional vigente (National Electrical Code, NEC).

Consulte la etiqueta de la bomba para conocer el voltaje adecuado requerido. No la conecte a un voltaje distinto al que figura.

Se requiere de un interruptor de circuito por falla de conexión a tierra (ground fault circuit interrupter, GFCI).

La bomba se debe conectar o cablear en su propio circuito sin otras salidas o equipos en la línea de circuito. Los fusibles y el disyuntor deben tener una capacidad amplia en el circuito eléctrico. Consulte la tabla a continuación:

Bomba	HP	Voltaje	Amperaje del disyuntor
RL33CSS	1/3	115	15
RL50CSS	1/2	115	15
RL75CSS	3/4	115	15

⚠️ ADVERTENCIA

El ensamblaje del cable encamisado flexible instalado en la bomba no se debe modificar de ninguna manera, excepto si se acorta el cable para que se adapte al panel de control. Los empalmes entre la bomba y el panel de control se deben realizar dentro de la caja de conexiones y se deben instalar fuera del recipiente. Además, deben cumplir con el Código Eléctrico Nacional. Contrate los servicios de un electricista con licencia.

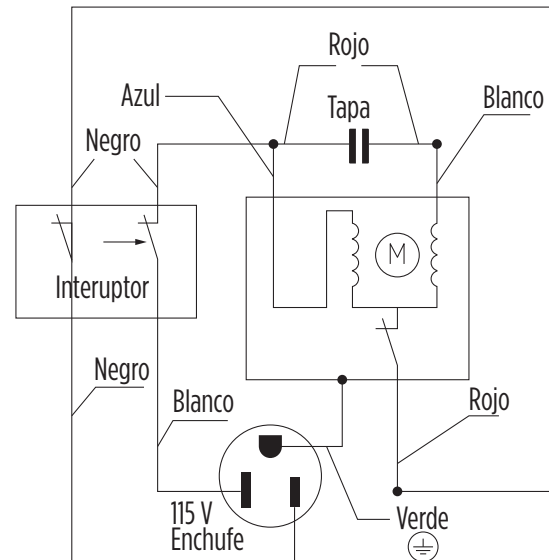
⚠️ ADVERTENCIA

No utilice el cable de alimentación para levantar la bomba.

ESPECIFICACIONES

Tamaño de la descarga	1.5 pulg. (38 mm) FNPT vertical
Tamaño de la toma	Fondo con rejilla
Bastidor de la bomba	Serie 300, de acero inoxidable
Voluta	Hierro colado
Propulsor	Plástico
Motor	Polo protegido monofásico con protección contra sobrecarga térmica con restablecimiento automático
Eje del motor	420 de acero inoxidable martensítico
Pizas metálicas	Serie 300, de acero inoxidable
Cojinete	Inferior bola, superior manguito
Sello del eje de la bomba	Acero do carbón sello de carbón estacionario, mecánico y cargado con resorte con protector de nitrilo y base giratoria de cerámica
Cable de potencia	Calibre 18 de 3 hilos de cobre, trenzado de 10 pies (3 metros) de largo
Enfriamiento	El estator contiene un aceite refrigerante para enfriar el motor y lubricar los cojinetes y obturadores. Estas bombas pueden parcialmente expuesto, siempre y cuando el refrigerante del motor y la lubricación de los cojinetes sea suficiente. No obstante, para un enfriamiento óptimo y una vida máxima del motor, el nivel del líquido que se bombee, normalmente debe encontrarse por encima del estator de hierro colado.

Diagrama eléctrico



PRUEBAS DE FUNCIONAMIENTO DEL SISTEMA DE LA BOMBA

Pruebas de funcionamiento de la bomba automática

1. Las bombas automáticas de la serie RLCSS están equipadas con un interruptor mecánico integral operado mediante un flotador. La operación automática se logra mediante el cable de la bomba.
2. Cuando estas bombas se instalan en un recipiente con una cubierta sellada, la operación del interruptor no se puede observar. Por lo general, la cubierta del recipiente tendrá un orificio de repuesto que está conectado al enchufe de goma. Este enchufe se puede retirar y la operación del interruptor se puede observar.
3. Enchufe el cable de alimentación en un receptáculo con conexión a tierra que tenga un voltaje consistente con el voltaje de la bomba, tal como se indica en la placa de la bomba.
4. Asegúrese de que la válvula de la compuerta en la línea de descarga esté abierta.
5. Deje correr el agua hacia el recipiente hasta que la bomba se active.
 - a. No intente operar la bomba sin agua; esto dará lugar a un daño permanente en la bomba.
6. Confirme que la bomba y su interruptor de control estén funcionando correctamente.
7. Confirme que los niveles de ENCENDIDO/APAGADO estén dentro de las especificaciones y confirme que no haya obstrucciones posibles que pudieran impedir el funcionamiento del interruptor.
8. Confirme que no haya fugas en las tuberías de descarga de la bomba ni en las tuberías de drenaje principales del hogar.
 - a. Es normal que un chorro de agua salga desde el orificio de respiración en las tuberías de la bomba principal. Confirme que este chorro que sale quede atrapado dentro del recipiente.
9. Deje que la bomba funcione a través de múltiples ciclos de encendido/apagado.

Si la bomba no funciona correctamente, consulte la tabla Solución de problemas. Si aún no se encuentra el problema, comuníquese con el lugar de compra. Deberán darle asistencia para obtener la reparación o reemplazo, si se requiere.

No permita que la unidad funcione en seco (sin líquido). Está diseñada para estar refrigerada mediante el bombeo de líquido. Si la bomba funciona en seco, es posible que dañe el sello y que el motor falle.

Si la unidad estará inactiva por un tiempo, siga las instrucciones de limpieza detalladas en la próxima sección. No deje que la unidad se congele. Esto puede causar agrietamiento o deformación que, a su vez, puede destruir la unidad.

MANTENIMIENTO



PRECAUCIÓN

Cuando trabaje en la bomba o en el interruptor, siempre desenchufe el cable de alimentación de la bomba, además de retirar el fusible o apagar el disyuntor antes de trabajar en la bomba.

Esta unidad está lubricada permanentemente. No se requiere de engrase. Bajo ningún concepto abra la parte sellada de la unidad ni retire los tornillos de la carcasa.

AVISO

Inspeccione y pruebe el estado y el funcionamiento del sistema de la bomba cada 3 meses (con más frecuencia en aplicaciones de uso intensivo).

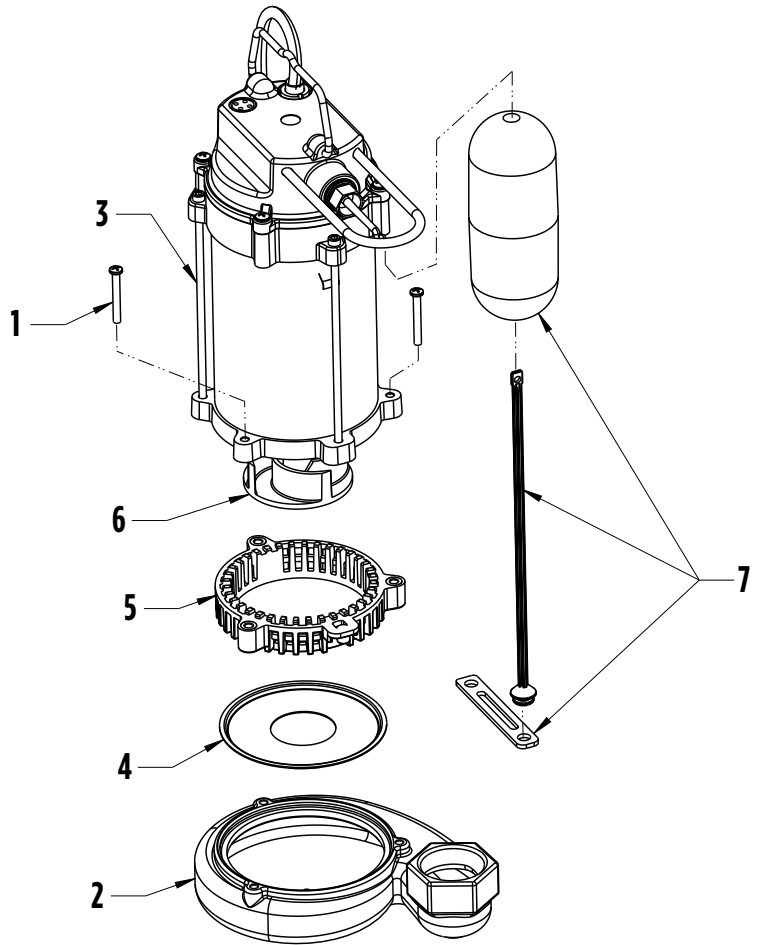
1. DEJE QUE LA BOMBA SE ENFRÍE DURANTE UN MÍNIMO DE DOS HORAS ANTES DE INTENTAR INSPECCIONARLA.
 - a. Las bombas sumergibles contienen aceite que se presuriza y calienta bajo condiciones operativas normales.
2. Verifique que no haya daños o corrosión en los cables de alimentación y en la salida eléctrica.
 - a. El cable de alimentación en estas unidades no se puede reemplazar. En caso de daño, se debe reemplazar la unidad completa.
3. Revise los componentes del sistema de la bomba (recipiente, bomba, interruptor, etc.) para detectar acumulaciones (lodo, sedimentos, minerales, etc.) que podrían impedir la funcionalidad de los componentes.
 - a. Si es necesario, retire la acumulación o reemplace los componentes afectados.
4. Confirme que todas las abrazaderas flexibles de la manguera de acoplamiento estén completamente enroscadas con la tubería y firmemente ajustadas.
5. Pruebe la operación del sistema de la bomba siguiendo las instrucciones detalladas de la sección "Pruebas de funcionamiento del sistema de la bomba" de este manual.
6. Mientras la bomba esté funcionando, asegúrese de que un chorro de agua salga por el orificio de respiración.
 - a. De lo contrario, limpie el orificio y retire depósitos o residuos.

MANTENIMIENTO

Limpiar el impulsor y la voluta

Al limpiar periódicamente las piezas de la bomba, se prolongará la vida útil y la eficiencia de la bomba.

1. Extraiga los tres pernos (1) que aseguran la voluta (2) a la carcasa (3), luego separa la voluta (2), la placa (4) y la pantalla (5) de la carcasa (3).
2. **⚠ ADVERTENCIA**
No retire la cubierta de la carcasa del motor. Si se retira la cubierta de la carcasa del motor, el impulsor y los sellos, se anula la garantía.
3. Retire todos los residuos (grava, arena, residuos flotantes, etc.) del recipiente del sumidero.
4. Limpie el impulsor (6), la pantalla (5), y el pasaje de la voluta (2). No use solventes fuertes.
 - a. **⚠ PRECAUCIÓN**
No retire el impulsor. La extracción del impulsor requiere de herramientas especiales y la debe realizar un centro de servicio autorizado únicamente.
5. Luego de la limpieza, asegúrese de que el impulsor gire libremente.
6. Fije la voluta (2), la placa (4), y la pantalla (5) a la carcasa (3) y asegúrela con los tres pernos (1).



SOLUCIÓN DE PROBLEMAS

Problema	Causas probables	Acción correctiva
La bomba no se enciende.	La bomba no está enchufada.	Enchufe la bomba.
	Se retiró el cierre del disyuntor o el fusible.	Encienda el disyuntor o reemplace el fusible.
	Hay acumulación de basura en el flotador.	Limpie el flotador.
	Hay obstrucción del flotador.	Verifique la trayectoria del flotador y límpiela.
	Interruptor defectuoso.	Reemplace el interruptor.
	Motor defectuoso.	Reemplace la bomba.
La bomba no se apagará.	Hay obstrucción en la varilla del flotador o en el flotador.	Verifique la varilla del flotador o el flotador y límpielos.
	Hay aire bloqueado en la bomba.	Saque la bomba y límpiela.
	La entrada de líquido es igual a la capacidad de la bomba.	Se necesita una bomba más grande.
	Interruptor defectuoso.	Reemplace el interruptor.
La bomba anda, pero no descarga líquido.	Verifique que la válvula esté instalada al revés.	Verifique la flecha que indica el flujo en el cuerpo de la válvula de retención para asegurarse de que esté correctamente instalada.
	Verifique que la válvula no esté atascada ni tapada.	Retire la válvula de retención e compruebe que funcione correctamente.
	La elevación es demasiado alta para la bomba.	Verifique el rendimiento nominal de la bomba.
	La entrada al impulsor está tapada.	Saque la bomba y límpiela.
	Hay aire bloqueado en la bomba.	Saque la bomba y límpiela.
La bomba no suministra la capacidad nominal.	La elevación es demasiado alta para la bomba.	Verifique el rendimiento nominal de la bomba.
	El voltaje es bajo; la velocidad es demasiado lenta.	Verifique el voltaje de alimentación correcto para asegurarse de que corresponda con el voltaje de la placa de identificación.
	El impulsor o la tubería de descarga están obstruidos.	Saque la bomba y límpiela. Verifique la tubería para ver si tiene sarro o corrosión.
	El impulsor está desgastado debido a abrasivos.	Reemplace la bomba.
La bomba inicia ciclos de manera continua.	No hay una válvula de retención en la tubería larga de descarga que permita que el líquido se drene de regreso el recipiente.	Instale la válvula de retención en la línea de descarga.
	Verifique fugas en la válvula.	Inspeccione la válvula de retención para ver si funciona correctamente.
	El recipiente es muy pequeño para la entrada.	Instale un recipiente más grande.

GARANTÍA LIMITADA

ESTA GARANTÍA (LA "GARANTÍA") ESTABLECE LA OBLIGACIÓN ÚNICA DE LA MARCA Y LA COMPENSACIÓN EXCLUSIVA AL COMPRADOR POR UN PRODUCTO DEFECTUOSO.

La marca de Red Lion® (en lo sucesivo, « la Marca ») garantizan que los productos acompañados por esta Garantía están libres de defectos de materiales o mano de obra en el momento de la venta por parte de la Marca y que se produzcan o existan dentro del período de vigencia de la garantía que se identifica a continuación. Todo distribuidor, subdistribuidor, receptor, usuario final o consumidor está de acuerdo con que, al aceptar la recepción de los productos, el distribuidor, subdistribuidor, receptor, usuario final o consumidor también acepta expresamente regirse por los términos de la presente Garantía.

I. Período de vigencia de la garantía

Los productos acompañados por esta Garantía tendrán cobertura en virtud de esta Garantía durante un período de 36 meses desde la fecha de compra original del consumidor. Si no existiera una prueba fehaciente de la fecha de compra, el período de garantía de este producto comenzará desde la fecha de fabricación del producto.

II. Instrucciones que se aplican a esta Garantía

1. Los consumidores que deseen presentar un reclamo de garantía deben devolver los productos acompañados por esta Garantía en el punto de venta con el fin de que se consideren para la garantía.
2. Si se descubre un posible defecto, toda lesión, daño a la propiedad o cualquier otro tipo de perjuicio resultante, si corresponde, se mitigará razonablemente en la medida que sea posible.
3. A su criterio, la Marca puede inspeccionar los productos en sus instalaciones o en el campo y, después de la determinación de un reclamo de garantía, la Marca reparará o reemplazará las piezas defectuosas según su elección. Las piezas reparadas o reemplazadas se devolverán con el flete prepago por la Marca.
4. Esta Garantía no cubre gastos de trabajo ni envío. La Marca no será responsable de los costos o gastos que se atribuyan a las pruebas, el mantenimiento, la instalación, la reparación o la remoción de productos, ni de las herramientas, los suministros o los equipos que se necesiten para instalar, reparar o retirar los productos.

III. Limitaciones que se aplican a esta Garantía

ESTA GARANTÍA NO SE APLICA A NINGUNO DE LOS SIGUIENTES ELEMENTOS:

1. Escobillas, impulsores o levas en modelos con motores tipo escobilla o impulsores con paletas flexibles.
2. Todo producto que no se instale, aplique, mantenga ni use de conformidad con las instrucciones publicadas por la Marca, las regulaciones vigentes, las ordenanzas vigentes o los estándares industriales aceptados.
3. Todo producto que haya sido sujeto a uso incorrecto o inapropiado, aplicación incorrecta, negligencia, alteración, accidente, abuso, manipulación, sucesos de fuerza mayor (incluidas descargas eléctricas), actos de terrorismo, actos de guerra, fuego, almacenamiento o instalación incorrectos, mantenimiento o reparación incorrectos, daños o siniestros, o a exceso de los valores máximos recomendados que se establecen en las instrucciones del producto.
4. Todo producto que se opere con cualquier accesorio, equipo, componente o pieza que no estén específicamente aprobados por la Marca.
5. El uso de piezas de reemplazo que no venda la Marca, la incorporación no autorizada de productos que no sean de la Marca a otros productos de la Marca y la modificación no autorizada de productos de la Marca.
6. Productos dañados por el desgaste y uso normales, servicios habituales de mantenimiento y las piezas usadas en relación con dicho servicio, o cualquier otra condición más allá del control de la Marca.
7. Todo producto que haya sido utilizado para otros propósitos distintos de aquellos para los que fue diseñado y fabricado.
8. Todo uso del producto en el que no se hayan respetado las instrucciones de instalación o las instrucciones de uso.
9. Productos en los cuales la bomba fue utilizada para bombear o circular otra cosa aparte de agua potable a temperatura ambiente.
10. Productos en que la bomba haya sido expuesta a cualquiera de los siguientes elementos: arena, grava, cemento, grasa, yeso, lodo, alquitrán, hidrocarburos, derivados de hidrocarburos (aceite, gasolina, solventes, etc.) u otras sustancias abrasivas o corrosivas.
11. Productos en los cuales la bomba fue utilizada para bombear o circular otra cosa aparte de agua potable a temperatura ambiente.
12. Productos en que se haya permitido que la bomba opere en seco (suministro de fluidos cortado).
13. Productos en que se haya abierto la carcasa sellada del motor o que hayan sido desmantelados de algún otro modo por el cliente.
14. Productos a los que se les haya cortado el cable a una longitud inferior a 91 centímetros (3 pies).

La Marca se reserva el derecho a, en cualquier momento y con cualquier frecuencia, efectuar cambios en el diseño o mejoras de este producto, sin que esto constituya una obligación en sí misma para efectuar los cambios o las mejoras correspondientes en los productos que ya fabricó o que vendió anteriormente. La Marca también se reserva el derecho a sustituir piezas o componentes de sustancialmente igual calidad en cualquier servicio de garantía que se requiera en virtud de la operación de esta Garantía.

Esta Garantía constituye toda la garantía que la Marca autoriza y ofrece. No existen garantías ni manifestaciones más allá de las que se expresan en este documento.

ESTA GARANTÍA Y COMPENSACIÓN REEMPLAZAN A CUALQUIER OTRA GARANTÍA Y COMPENSACIÓN, INCLUIDAS, SIN LIMITACIÓN, GARANTÍAS DE COMERCIALIZACIÓN Y ADAPTACIÓN PARA UN FIN EN PARTICULAR, QUE POR EL PRESENTE SE NIEGAN ESPECÍFICAMENTE Y SE EXCLUYEN DE MANERA EXPRESA. LAS MEDIDAS CORRECTIVAS PARA SUBSANAR INCONFORMIDADES, DE LA MANERA Y DURANTE EL PLAZO QUE SE ESTABLECEN ANTERIORMENTE, CONSTITUIRÁN EL CUMPLIMIENTO DE TODA RESPONSABILIDAD DE LA MARCA HACIA EL COMPRADOR, YA SEA SEGÚN CONTRATO, NEGLIGENCIA O DE OTRO MODO.

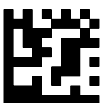
LA MARCA NO SERÁ RESPONSABLE DE DAÑOS INCIDENTALES, CONSECUENTES O ESPECIALES, COMO LOS SIGUIENTES, SIN LIMITACIÓN:

DAÑO O PÉRDIDA DE OTRAS PROPIEDADES O EQUIPOS; PÉRDIDA DEL USO DE EQUIPOS, INSTALACIONES O SERVICIOS; PÉRDIDA DE GANANCIAS O VENTAS; COSTO DE COMPRAS O BIENES DE REEMPLAZO; RECLAMOS DE CLIENTES DEL COMPRADOR; AUSENCIA DE ADVERTENCIAS O INSTRUCCIONES; PÉRDIDA DE OTROS PRODUCTOS; COSTOS DE REHABILITACIÓN AMBIENTAL; O DISMINUCIÓN DEL VALOR DE LA PROPIEDAD. LAS COMPENSACIONES AL COMPRADOR QUE AQUÍ SE ESTABLECEN SON EXCLUSIVAS, Y LA RESPONSABILIDAD DE LA MARCA, A MENOS QUE AQUÍ SE DISPONGA EXPRESAMENTE, NO SUPERARÁ EL PRECIO DE LOS PRODUCTOS EN LOS QUE SE BASA DICHA RESPONSABILIDAD. LOS DAÑOS ESTABLECIDOS EN ESTE PÁRRAFO SE MITIGARÁN RAZONABLEMENTE EN LA MEDIDA QUE SEA POSIBLE. ESTE PÁRRAFO TAMBIÉN SE APLICARÁ A TODOS LOS DAÑOS QUE SE PRODUZCAN POR LAS CONDICIONES ESTABLECIDAS EN LA SECCIÓN III ANTERIOR Y A LOS (1) DEFECTOS EN PROTOTIPOS DE PRODUCTOS O PROTOTIPOS DE PIEZAS DE REEMPLAZO QUE LA MARCA NO HAYA PUESTO EN PRODUCCIÓN, CIRCULADO O VENDIDO, O (2) DEFECTOS QUE NO SE ENCONTRARON EN EL MOMENTO DE VENTA DEBIDO A MOTIVOS CIENTÍFICOS Y TECNOLÓGICOS.

Esta Garantía le brinda derechos legales específicos. Es posible que tenga otros derechos, que pueden variar según las leyes y normas vigentes. Si algún término de esta Garantía está prohibido por dichas leyes, se considerará nulo y sin efecto; sin embargo, el resto de la Garantía seguirá en plena vigencia.

DESCARGO DE RESPONSABILIDADES: Cualquier declaración oral sobre el producto realizada por el vendedor, la Marca, los representantes o cualquier otra parte no constituye garantías. El usuario no debe depender de ellas y no forman parte de este contrato de venta. La única obligación del vendedor y la Marca, y la única compensación a disposición del comprador, será el reemplazo o la reparación del producto por parte de la Marca, de la forma descrita anteriormente. Antes de usar el producto, el usuario determinará la idoneidad de este para su uso previsto, y asumirá todos los riesgos y las responsabilidades que se deriven de esta acción.

**Para la ayuda técnica, partes o la reparación, por favor póngase
en contacto... 888.885.9254 | redlionproducts.com**



Form 998931
Rev. 000
05/18



RED LION.