

Installation Instructions

1801510 2.5" Receiver Hitch

Applications:

1999-CURRENT FORD F350,450,550,650

Capacity:

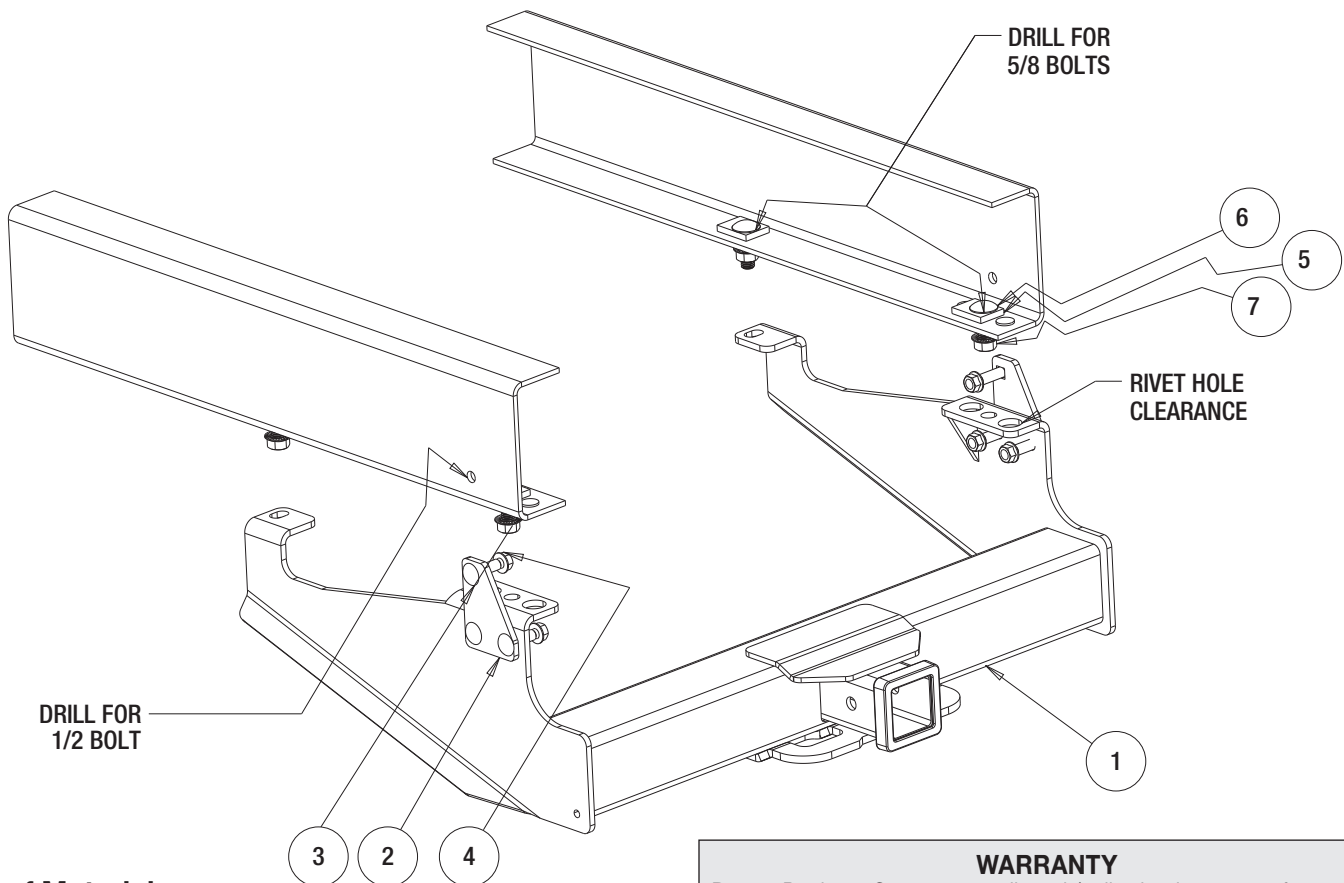
22,000 lbs. Maximum Gross Trailer Weight (MGTW)
 3,000 lbs. Maximum Vertical Load (MVL)

1. Raise the hitch (1) into place, align the hitch onto the bottom of the frame matching the rivet clearance holes.
2. Clamp the hitch onto the frame. Mark and drill the 5/8" bolt holes farthest away from the cab.
3. Secure the hitch onto the frame with two 5/8" carriage bolts (6), two square hole spacers (5), and two flange nuts (7).

4. With the Hitch still in place, mark and drill the holes closest to the cab. Secure the two drilled holes with two 5/8" carriage bolts (6), two square hole spacers (5), and two flange nuts (7).
5. Install the Support Plates (2) onto the two sides of the hitch with four 1/2" carriage bolts and four 1/2" flange nuts (4).
6. Using the Support Plates as a template, drill the remaining holes on the frame of the truck for the 1/2" bolts. Secure the two holes with the two 1/2" carriage bolts (3) and two 1/2" nuts (4).
7. Torque the 5/8 bolts to 160 ft-lbs. and the 1/2" bolt to 150 ft-lbs.
8. Periodically check for loosened bolts and nuts. Make sure they are tightened.

WARNING

To avoid serious injury or death, check that all hitch fasteners are secure and properly torqued before use.



Bill of Materials

ITEM	PART NO.	QTY.	DESCRIPTION
1	3040429	1	HITCH, WELDMENT
2	3040387	2	PLATE, HANGING SUPPORT
3	3029357	6	BOLT, CARRIAGE 1/2-13 X 1.75 GR8 ZN
4	3029359	6	NUT, HX FLNG-1/2-13 ZN G8
5	3039526	4	RECTANGLE, SQ HOLE 5/8 X 2 IN L
6	3038887	4	CARRIAGE BOLT, 5/8-11 X 2IN, G8
7	3038931	4	NUT, HEX, SERR, FLGE, 5/8-11, G8, ZN

WARRANTY

Buyers Products Co. warrants all truck/trailer hardware manufactured or distributed by it, to be free from defects in material and workmanship for a period of one year from date of shipment. Parts must be properly installed and used under normal conditions. Any product which has been altered, including modification, misuse, accident or lack of maintenance will not be considered under warranty. Normal wear is excluded. The sole responsibility of Buyers Products Co. under this warranty is limited to repairing or replacing any part or parts which are returned, prepaid, and are found to be defective by Buyers Products Co. Authorization from Buyers Products Co. must be obtained before returning any part. No charges for transportation or labor performed on Buyers' products will be allowed under this warranty.