

Installation Instructions

1501550 Black Steel Truck Rack

Please read and understand all instructions before use.
 Retain this manual for future reference.

Max Capacity: 500 lbs.

Assembly

For assembly of this item, you will need an open wrench, an Allen wrench and either a cordless or electric drill with a 7/16in. drill bit.

Recommended Tools

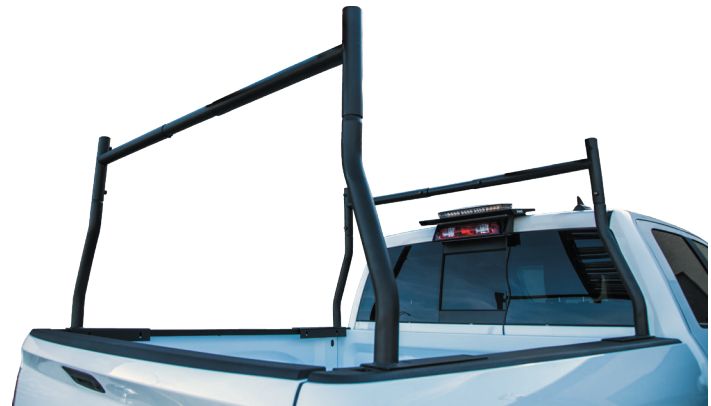
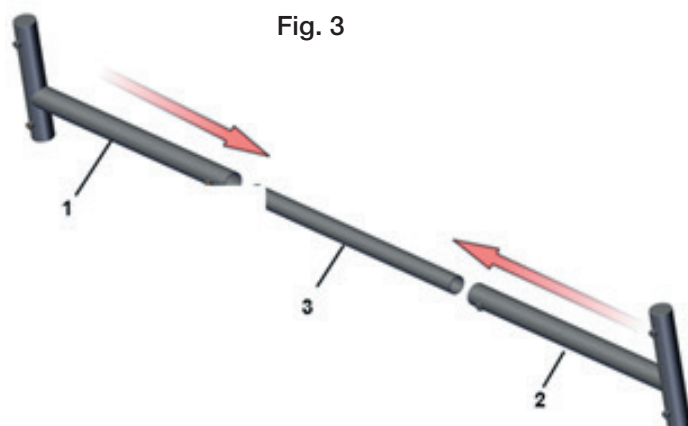
- Open Wrench, 17mm
- Allen Wrench, 5mm

Procedure

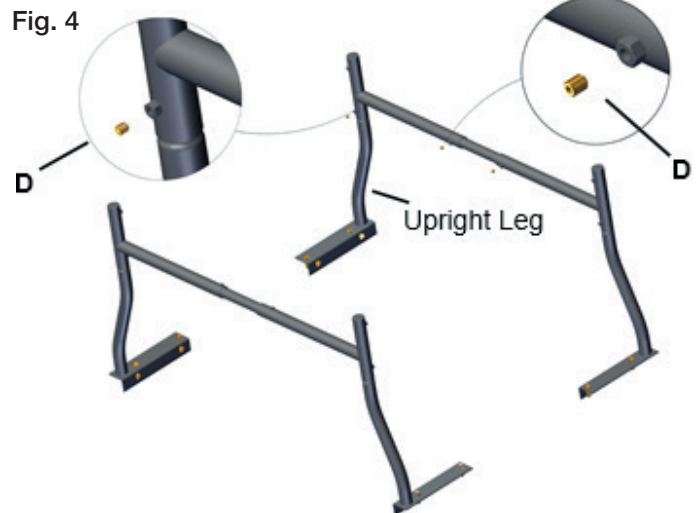
1. Set the rack to the high (Fig. 1) or low (Fig. 2) position, whichever is best for the cargo and the truck, by flipping the Driver and Passenger Side Crossbraces (1 and 2). For bowed canoes, the high position is recommended. If you choose to flip the Crossbraces (1 and 2), you will have to remove and replace the Caps.



2. Insert the Crossbraces (1 and 2) into the Center Crossbrace Extension (3) (Fig. 3) and set the entire assembly on top of Upright A and B (3 and 4). (Fig. 4)



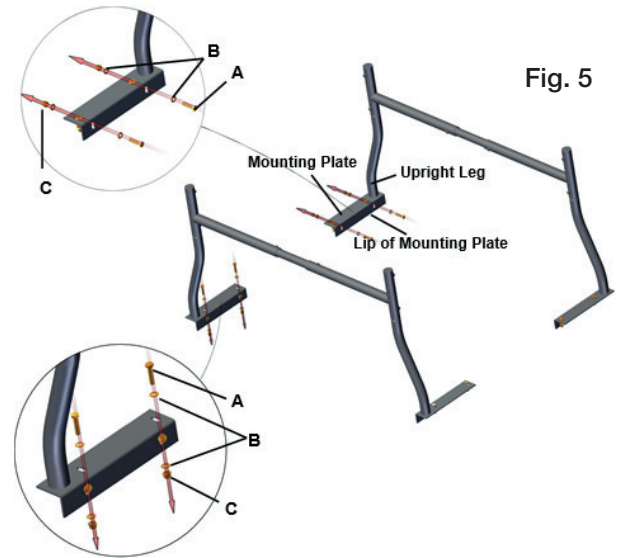
- 3.** Center the Crossbraces (1 and 2) left to right and secure them with M10x15 Allen Head Set Screw (D). (Fig. 4)
- 4.** Secure the Crossbrace (1 and 2) to each Upright leg with M10x15 Allen Head Set Screw (D). (Fig. 4)



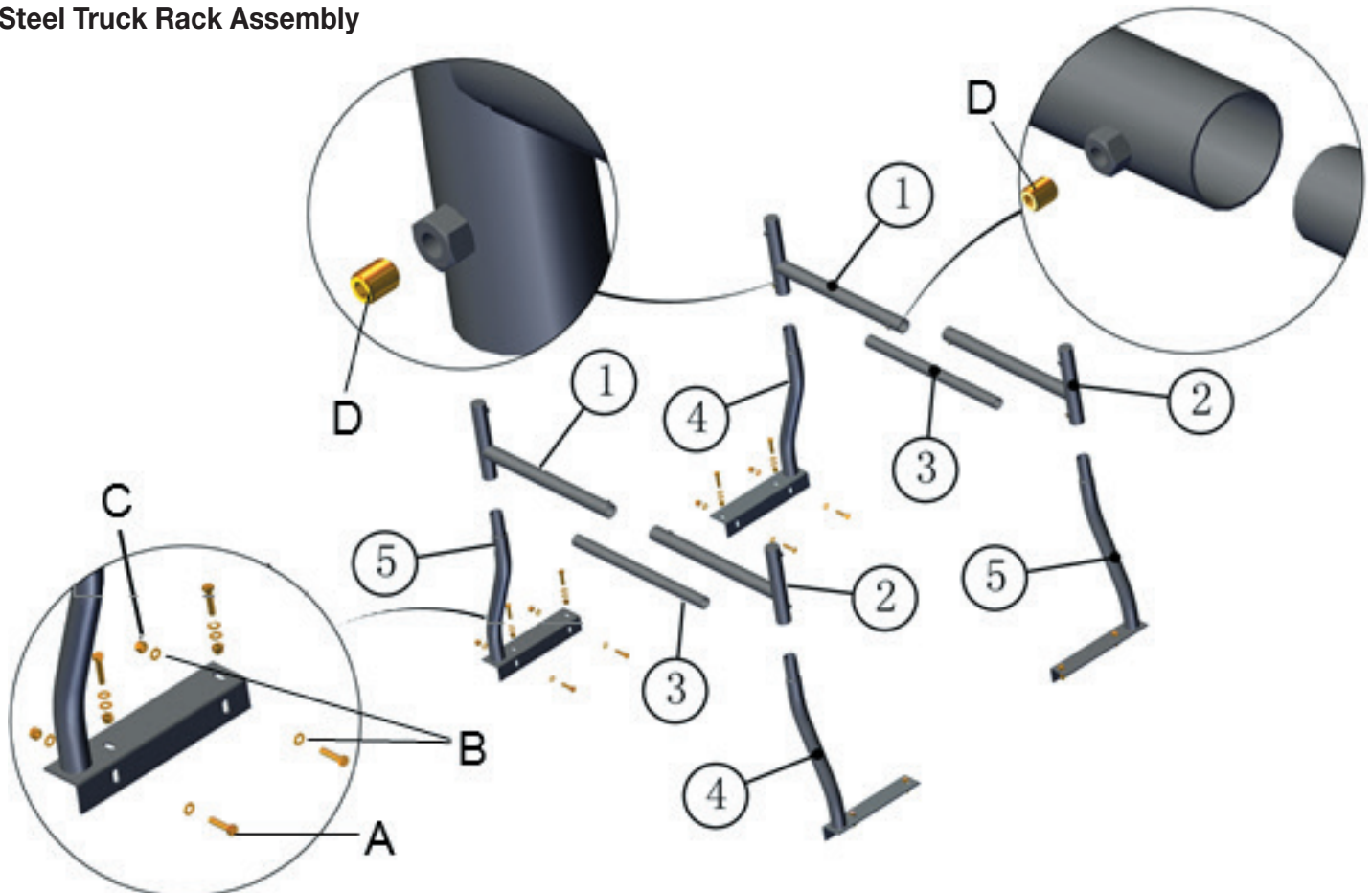
WARRANTY

Buyers Products Co. warrants all truck/trailer hardware manufactured or distributed by it, to be free from defects in material and workmanship for a period of one year from date of shipment. Parts must be properly installed and used under normal conditions. Any product which has been altered, including modification, misuse, accident or lack of maintenance will not be considered under warranty. Normal wear is excluded. The sole responsibility of Buyers Products Co. under this warranty is limited to repairing or replacing any part or parts which are returned, prepaid, and are found to be defective by Buyers Products Co. Authorization from Buyers Products Co. must be obtained before returning any part. No charges for transportation or labor performed on Buyers' products will be allowed under this warranty.

5. Position the front of the Upright Legs as close to the cab as possible. Attach the mounting plates to the truck's bed rail by drilling 7/16" holes in the bed rail and lip, and then securing the mounting plate with two sets of Hex Bolt (A), Flat Washer (B), and M10 Lock Nut (C) through the top and side of the Mounting Plate. (Fig. 5)



Steel Truck Rack Assembly



Bills of Material

ITEM	QTY.	DESCRIPTION	PART NUMBER
1	2	Crossbrace - Driver Side	3039610
2	2	Crossbrace - Passenger Side	3039611
3	2	Crossbrace - Center	3039612
4	2	Upright A	3039613
5	2	Upright B	3039614

Hardware Kit - 3039615

ITEM	QTY.	DESCRIPTION	PART NUMBER
A	16	Hex Bolt, M10 x 45	3039616
B	32	Washer, Flat, M10	3039617
C	16	Nut, Locking, M10	3039618
D	8	Set Screw, Allen Head, M10 x 15	3039619