

# READ AND SAVE THESE INSTRUCTIONS

**CAUTION:** Read and follow all instructions before Operating Fan. Do not use fan if any part is damaged or missing.

**WARNING:** To reduce the risk of fire or electrical shock, do not expose to water or rain.

To reduce the risk of fire or electrical shock, do not use this fan with any solid state speed control device.

To reduce the risk of fire or electrical shock, do not use this fan with any solid state speed control device.

Automatically operated device - To reduce the risk of injury disconnect from power supply before servicing.

To reduce the risk of injury to persons, install fan at least 2.1m (7 feet) above the floor.

## **RULES FOR SAFE OPERATION:**

1. Never insert fingers or any other objects through the grill guard when fan is in operation.
2. Install in interior wall.
3. Not for use in kitchens.
4. Disconnect the fan when removing guards for cleaning.
5. Be sure fan is mounted at least 2.1m (7 feet) above level.
6. DO NOT use fan in windows. Rain and moisture may create electrical hazard.

**CAUTION:** Do not alter the Fan's assembly.

**WARNING:** Be sure FRONT and rear GUARD screws are completely screwed down in locking position before operation.

**WARNING:** TO REDUCE THE RISK OF FIRE, ELECTRIC SHOCK, OR INJURY TO PERSONS, OBSERVE THE FOLLOWING:

- a) Installation work and electrical wiring must be done by qualified person(s) in accordance with all applicable codes and standards, including fire-rated construction.
- b) Sufficient air is needed for proper combustion and exhausting of gases through the flue (chimney) of fuel burning equipment to prevent back drafting. Follow the heating equipment manufacturer's guideline and safety standards such as those published by the National Fire Protection Association (NFPA), and the American Society for Heating, Refrigeration and Air Conditioning Engineers (ASHRAE), and the local code authorities.
- c) When cutting or drilling into wall or ceiling, do not damage electrical wiring and other hidden utilities.

## **OPERATING INSTRUCTIONS:**

**SPEED CONTROL:** Pull switch to Low and High speeds for respective air velocity. It is normal for the motor to feel warm to touch after continuous operation.

This fan features a thermostat that will automatically shut off should it overheat for any reason. If this happens, immediately unplug the fan from the outlet.

## **CLEANING**

**WARNING:** Unplug from electrical supply source before cleaning:

- Use soft damp cloth to clean. Then wipe with dry cloth.

- Do not use a cleaning solution that is harmful to paints or plastics.
- Do not bend the blades.
- The motor bearings are permanently sealed and do not require additional lubrication.

## **INSTALLATION INSTRUCTIONS:**

The wall fan must be mounted by follow diagram way on 12 inch (300mm) thick dry and cement – grouted firm wall or on 4 by 5 inch wood studs / joists.

Use wall bracket of wall mount assembly as a template for locating the holes to be drilled on mounting surface.

After determining the 4 hole locations, use an appropriately sized drill bit and, drill holes through mounting surface. Reference acceptable mounting surfaces and appropriate drill bit sizes for application.

Attach wall mount assembly to mounting surface using hardware not provided. It is recommended that a minimum of grade 5 fasteners be used. The following are acceptable surfaces for mounting wall mount assembly.

**WOOD SURFACE** - When mounting to a wooden surface, or wall, surface shall be a minimum of 1Inch thick. Using 5/32" drill bit, drill 4 pilot holes at pre-marked locations. Use four 1/4" wood lags of appropriate length (minimum 1 inch) for mounting surface thickness.

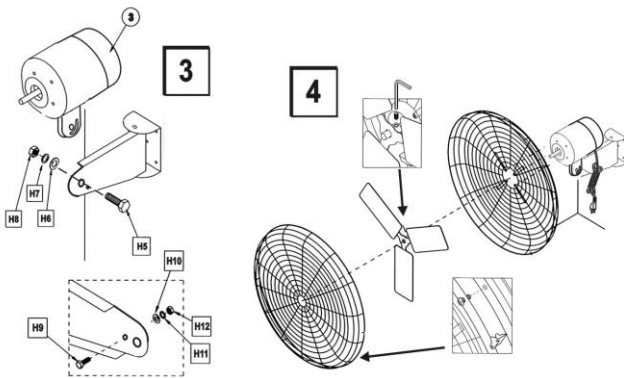
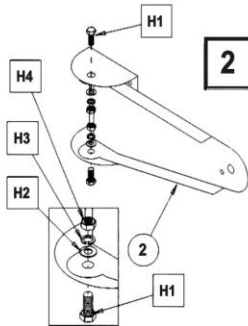
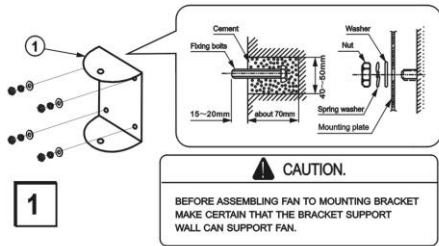
**STEEL SURFACE** - When mounting to a steel surface of sufficient strength, such as a vertical I-beam, drill 4 through holes at pre-marked locations, using a 9/32" drill bit. Attach wall mount assembly to mounting surface using 1/4"-20 hex screw of appropriate length, in combination with 1/4" flat washers, 1/4" lock washers, and 1/4"-20 hex nuts.

**MASONRY SURFACE** - When mounting to a masonry surface use a 1/4" expansion type bolt or 1/4" masonry lag with shield. Drill 4 holes at pre-marked locations using appropriate sized drill bit as recommended for fastener.

**IMPORTANT:** SURGES IN ELECTRICAL POWER OR EXCESSIVE HEAT MAY CAUSE THE FAN TO TURN OFF. WAIT APPROXIMATELY 15 MINUTES FOR THE FAN TO RESUME OPERATION.

MODEL	WATTS(W)		AMPS(A)		VOLTS
	LOW	HIGH	LOW	HIGH	
<b>CACU30-W</b>	200	250	1.85	2.20	120V~ 60Hz
<b>CACU24-W</b>	165	220	1.45	1.85	

**INSTALLATION PROCEDURE:**



REF.	QTY.	CONTENTS DESCRIPTION
1	1	WALL BRACKET
2	1	ANGLE SUPPORT BRACKET
3	1	MOTOR
H1	2	
H2	2	
H3	2	
H4	2	
H5	1	
H6	1	
H7	1	
H8	1	
H9	1	
H10	1	
H11	1	
H12	1	




**OWNER'S MANUAL**  
**WALL MOUNT FAN**

**MODELS: CACU24-W, CACU30-W**



For additional information on TPI Products or replacement parts, call TPI Customer Service department at 1-800-251-0382 or write the address below.

 **TPI Corporation**  
P.O. Box 4973  
Johnson City, TN 37602  
*America's Comfort Conditioning Company*