



**CBT SERIES**

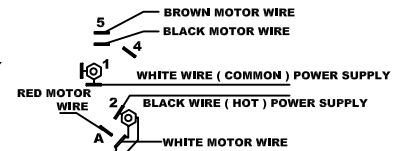
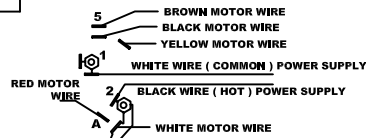
UPC	MODEL	SIZE	MOTOR HP	CFM	AMPS 115V	UPC	MODEL	AMPS 230/460
686334	115V 1PH					686334	230/460 3PH	
868396	<b>CBT24B</b>	<b>24"</b>	<b>1/3</b>	<b>3270</b>	<b>5.0</b>	868518	<b>CBT24B3</b>	<b>1.9/.9</b>
868402	<b>CBT30B</b>	<b>30"</b>	<b>1/3</b>	<b>7730</b>	<b>6.0</b>	868532	<b>CBT30B3</b>	<b>1.9/.9</b>
868419	<b>CBT36B</b>	<b>36"</b>	<b>1/2</b>	<b>9870</b>	<b>8.0</b>	868549	<b>CBT36B3</b>	<b>2.3/1.1</b>
868426	<b>CBT42B</b>	<b>42"</b>	<b>3/4</b>	<b>14800</b>	<b>11.0</b>	868556	<b>CBT42B3</b>	<b>3.3/1.5</b>
868525	<b>CBT48B</b>	<b>48"</b>	<b>1</b>	<b>21500</b>	<b>15.0</b>	868501	<b>CBT48B3</b>	<b>3.8/1.9</b>

SIZE	OUTSIDE DIMENSIONS			SHIPPING WEIGHT(LBS)	MAXIMUM REQUIRED INSIDE WALL OPENING
	"H"	"W"	"D"		
<b>24"</b>	<b>28 1/4"</b>	<b>28 1/4"</b>	<b>22 1/2"</b>	<b>100</b>	<b>28 3/4" x 28 3/4"</b>
<b>30"</b>	<b>34 1/4"</b>	<b>34 1/4"</b>	<b>22 1/2"</b>	<b>120</b>	<b>34 1/2" x 34 1/2"</b>
<b>36"</b>	<b>40 1/4"</b>	<b>40 1/4"</b>	<b>18 1/2"</b>	<b>135</b>	<b>40 1/2" x 40 1/2"</b>
<b>42"</b>	<b>48 1/2"</b>	<b>48 1/2"</b>	<b>18 1/2"</b>	<b>155</b>	<b>48 3/4" x 48 3/4"</b>
<b>48"</b>	<b>54 1/2"</b>	<b>54 1/2"</b>	<b>21 1/2"</b>	<b>200</b>	<b>54 3/4" x 54 3/4"</b>

FAN SIZE	SHUTTER DIMENSIONS			MINIMUM OPENING SHUTTER WILL INSERT
	"A"	"B"	"C"	
<b>24"</b>	<b>3.0</b>	<b>24</b>	<b>24</b>	<b>24 X 24</b>
<b>30"</b>	<b>3.0</b>	<b>30</b>	<b>30</b>	<b>30 X 30</b>
<b>36"</b>	<b>3.0</b>	<b>36</b>	<b>36</b>	<b>36 X 36</b>
<b>42"</b>	<b>3.0</b>	<b>42</b>	<b>42</b>	<b>42 X 42</b>
<b>48"</b>	<b>3.0</b>	<b>48</b>	<b>48</b>	<b>48 X 48</b>

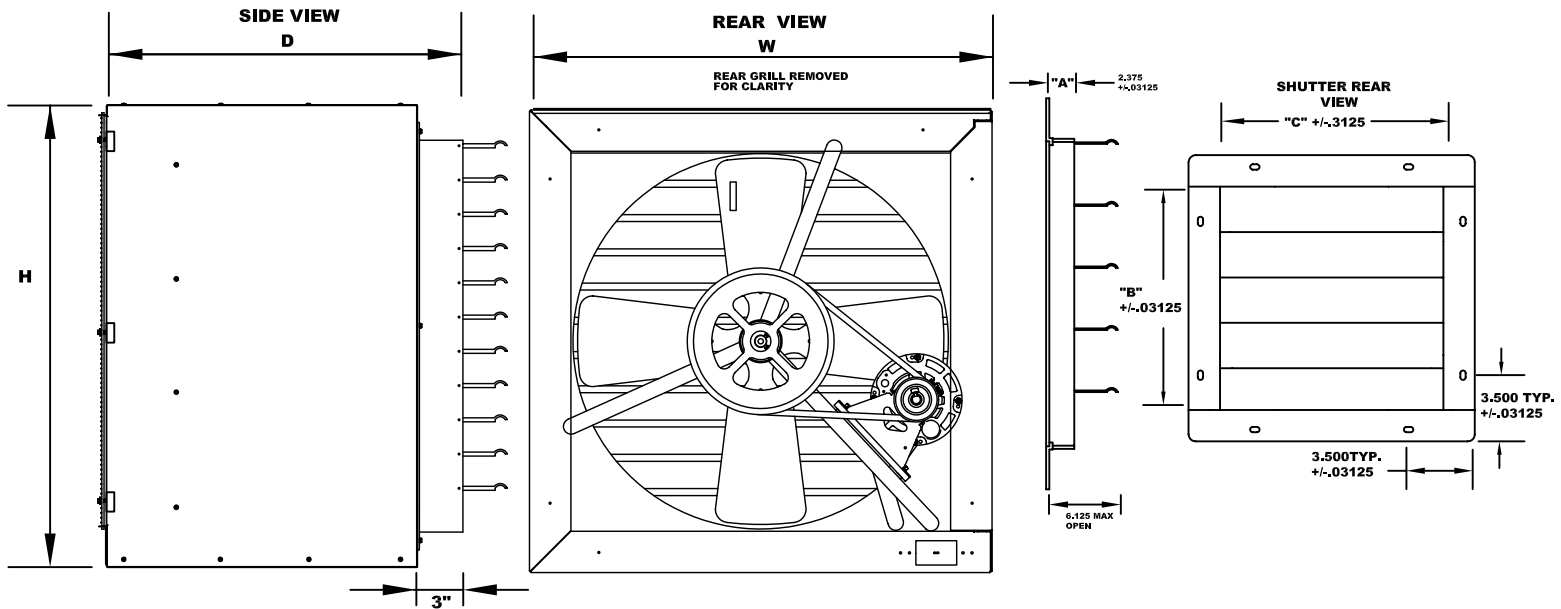
- \* **SIZE:** 24", 30", 36", 42", AND 48"
- \* **MOTOR:** 120V, 1 PHASE OR 230/460V 3 PHASE, PERMANENTLY LUBRICATED, DRIP PROOF MOTOR UL LISTED
- \* PERMANENTLY LUBRICATED BEARINGSON BLADE DRIVE SHAFT
- \* **BLADE:** STEEL HUB/SPIDER, ALUMINUM BLADES
- \* **RPM:** 1725
- \* **SHAFT SIZE:** 1/2 INCH DIA., APPROX. 1 1/2 INCH LENGTH
- \* **GUARD:** POWDER COATED WIRE
- \* **VENTURI:** 20 GA POWDER COATED
- \* **HOUSING:** 18 GA GALVANIZED STEEL
- \* **REAR GUARD:** HINGED FOR EASY ACCESS TO MOTOR AND DRIVE BELTS
- \* **SHIPS FULLY ASSEMBLED**
- \* **MEETS OSHA STANDARDS**
- \* **ONE YEAR LIMITED WARRANTY**

**1 PH MOTOR WIRING DIAGRAM 3 PH MOTOR WIRING DIAGRAM**



NOTE: RED AND BLACK WIRES NEED TO BE REVERSED MOTOR IS TO ROTATE CLOCK-WISE AS VIEWED FROM MOTOR END OPPOSITE SHAFT.

NOTE: RED AND BLACK WIRES NEED TO BE REVERSED MOTOR IS TO ROTATE CLOCK-WISE AS VIEWED FROM MOTOR END OPPOSITE SHAFT.



QTY	CATALOG NUMBER	TAG	SIZE	VOLTS	AMPS	NOTES

SUBMITTED BY:	DATE:
APPROVED BY:	DATE: