



WASHDOWN FAN INFORMATION SHEET

READ AND SAVE THESE IMPORTANT INSTRUCTIONS

WARNING: TO REDUCE THE RISK OF FIRE, ELECTRICAL SHOCK, OR INJURY TO PERSONS, OBSERVE THE FOLLOWING

- A. Use this unit only in the manner intended by the manufacturer. If you have any questions, contact the manufacturer.
- B. Before servicing or cleaning unit, switch power off at service panel and lock service panel to prevent power from being switched on accidentally. When the service disconnecting means cannot be locked, securely fasten a prominent warning device, such as a tag to the service panel.
- C. Installation work and electrical wiring must be done by qualified person(s) in accordance with all applicable codes and standards.
- D. Do not put foreign objects through fan guards into fan blade.

WARNING - ELECTROCUTION HAZARD THIS UNIT MUST BE GROUNDED.

CAUTION - FOR GENERAL VENTILATING USE ONLY. DO NOT USE WITH HAZARDOUS OR EXPLOSIVE MATERIALS AND VAPORS.

WARNING - TO REDUCE THE RISK OF ELECTRICAL SHOCK, DO NOT USE ANY SOLID-STATE SPEED CONTROL DEVICE WITH THIS FAN.

WARNING - AUTOMATIC RESET PROTECTION - Thermally protected automatic reset will cause the motor to restart without warning after the protector trips.

ATTENTION - Motor is provided with 2 drain holes in the shaft end shield, located at the 6:00 and 12:00, 2 drain holes in the opposite shaft end endshield located at the 6:00 and 12:00, and 2 drain holes in the conduit box located at 6:00 and 12:00 facing conduit box. After mounting motor remove drain screws at the lowest points. This motor is not suitable for shaft up or shaft down installation.

See reverse side for general fan information.

WASHDOWN FAN GENERAL INFORMATION AND DIMENSIONS

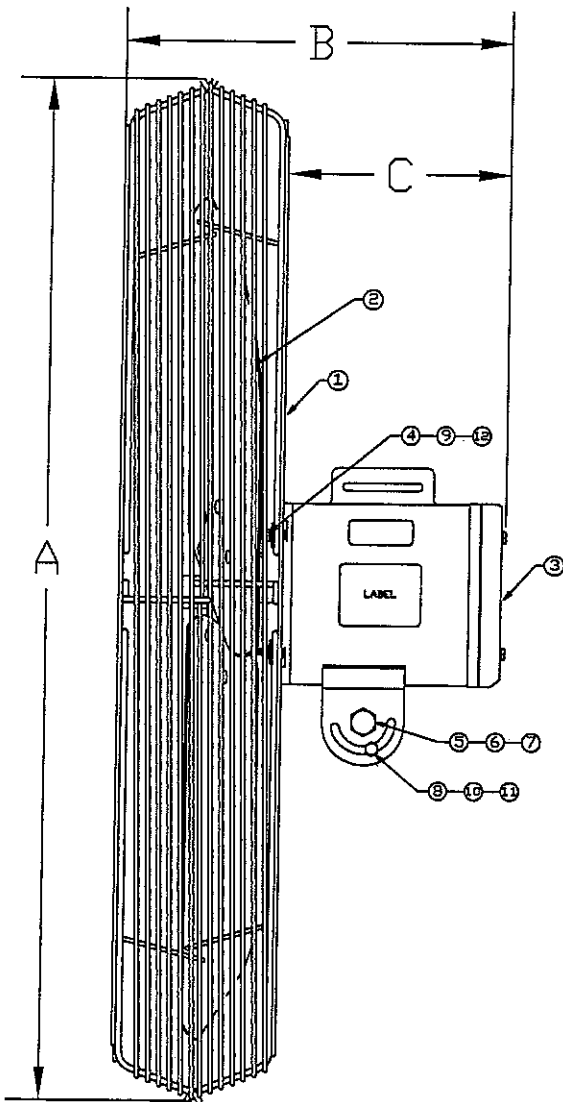
READ AND SAVE THESE IMPORTANT INSTRUCTIONS

IMPORTANT NOTE:

Read all instructions before installing this fan to any mounting surfaces. See mounting instruction sheet for additional information on the mounts. If you have any question regarding mounting fan contact manufacturer. TPI Customer Service Department 1-800-251-0382, or 1-423-477-4131, or Fax at 1-423-477-0683

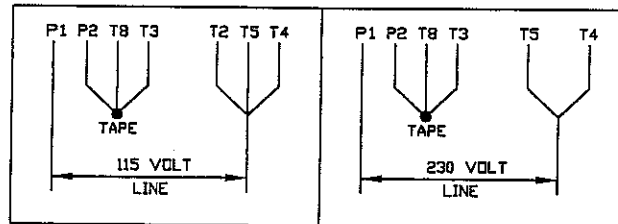
Fan Information

Fan Model	Blade Size	F A CFM	Motor H.P.	Operating Voltage	Fan Dimensions		
					A	B	C
IHP 24-H-WD	24"	3270	1/3	115	29.5	12.75	7.50
IHP 30-H-WD	30"	7730	1/3	115	32.5	12.25	7.50



ITEM #	QTY	TPI P/N	DESCRIPTION
1	2	63761-101	FAN GUARD 24"
1	2	63762101	FAN GUARD 30"
2	1	29904-017	FAN BLADE 24"
2	1	29904-018	FAN BLADE 30"
3	1	58502-002	MOTOR 1/3 HP
4	4	XXXXXXX	10-32 HEX NUT S.S.
5	1	28952-001	1/2"-13 x 1" HEX HD. CAP SCREW
6	1	29779-001	1/2" LOCKWASHER
7	1	28956-001	1/2"-13 HEX NUT
8	1	43893-003	1/4"-20 x 1" HEX HD. CAP SCREW
9	4	XXXX	WASHER LOCKING S.S.
10	1	3493	1/4" LOCKWASHER
11	1	1042	1/4"-20 HEX NUT
12	4	XXXX	WASHER PLAIN S.S.

Motor Wiring Information



INTERCHANGE T5 & T8 FOR COUNTERCLOCKWISE ROTATION