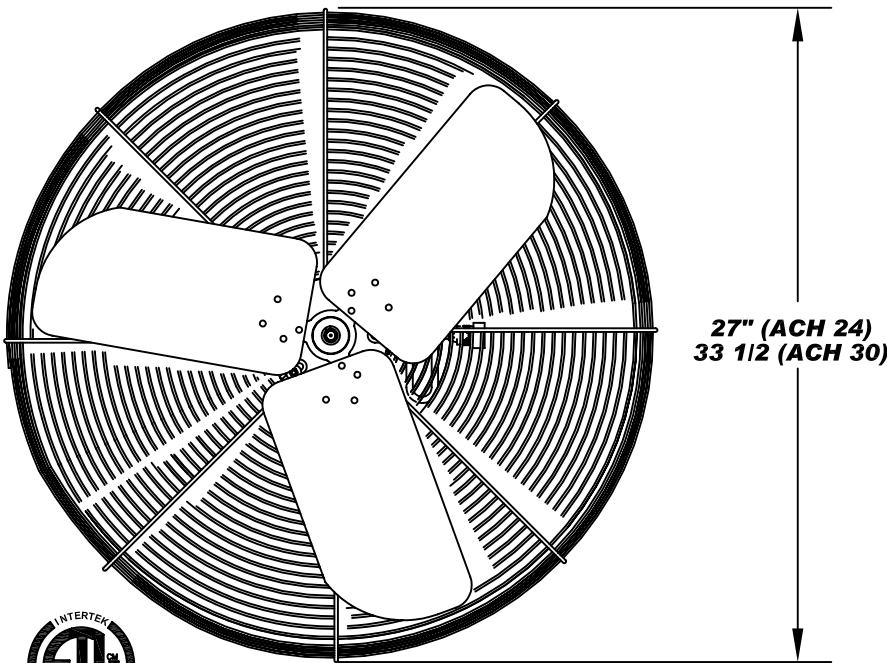


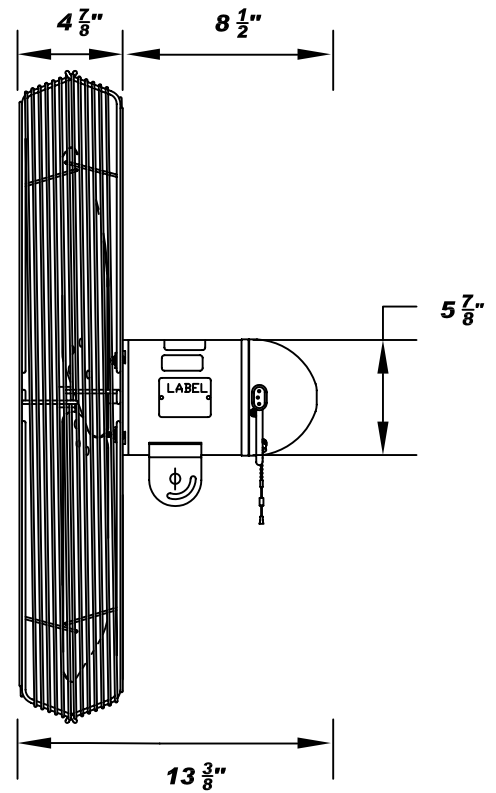


ACH SERIES					
UPC 686334	MODEL	CFM	AMPS		SHIPPING WEIGHT(LBS)
			120   240	240   480	
855198	<b>ACH 24-EX1</b>	<b>8000</b>	5.0	2.6	<b>66</b>
855204	<b>ACH 30-EX1</b>	<b>9200</b>			<b>69</b>
855211	<b>ACH 24-EX3</b>	<b>8000</b>	1.4	.07	<b>66</b>
855228	<b>ACH 30-EX3</b>	<b>9200</b>			<b>69</b>
OPTIONAL ACCESSORIES					
196187	<b>ACM-P</b>	<b>PEDESTAL MOUNT</b>			
796194	<b>ACM-W</b>	<b>WALL MOUNT BRACKET</b>			
796200	<b>ACM-I</b>	<b>I-BEAM MOUNT BRACKET</b>			
796217	<b>ACM-C</b>	<b>CEILING MOUNT BRACKET</b>			
796224	<b>ACM-S</b>	<b>SUSPENSION MOUNT</b>			
868181	<b>ACM-PM</b>	<b>POLE MOUNT</b>			
868136	<b>ACM-WK</b>	<b>PEDESTAL WHEEL KIT</b>			

- \* **HAZARDOUS LOCATION:**  
CLASS I GROUP D  
CLASS II GROUP F & G
- \* **SIZE:** 24" AND 30"
- \* **MOTOR:** 1/4 HP, 1 PH OR 3PH, 120V, 240V OR 480V  
TOTALLY ENCLOSED, PERMANENTLY LUBRICATED,  
PERMANENT SPLIT CAPACITOR. FRAME SIZE 56,  
INSULATION CLASS A
- \* **RPM:** 1725
- \* **SHAFT SIZE:** 1/2" DIA
- \* **GUARDS:** CHROME STEEL.
- \* **BLADE:** STEEL HUB/SPIDER, ALUMINUM BLADES



FRONT GRILL REMOVED FOR CLARITY



QTY	CATALOG NUMBER	TAG	SIZE	VOLTS	AMPS	OPTIONAL ACCESSORIES	NOTES

SUBMITTED BY:	DATE:
APPROVED BY:	DATE: