



Open Motor Belt Drive Drum Fan

Owner's Manual



! **WARNING:** Read carefully and understand all ASSEMBLY AND OPERATION INSTRUCTIONS before operating. Failure to follow the safety rules and other basic safety precautions may result in serious personal injury.

Items #49938, #49934, #49935, #79031

READ & SAVE THESE INSTRUCTIONS

Thank you very much for choosing a Strongway™ product!

For future reference, please complete the owner's record below:

Serial Number/Lot Date Code (if applicable): _____

Purchase Date: _____

Save the receipt, warranty, and this manual. It is important that you read the entire manual to become familiar with this product before you begin using it.

This fan is designed for certain applications only. Northern Tool and Equipment is not responsible for issues arising from modification or improper use of this product such as an application for which it was not designed. We strongly recommend that this product not be modified and/or used for any application other than that for which it was designed.

For technical questions, please call **1-800-222-5381**.

Table of Contents

Intended Use.....	4
Packaging Contents.....	4
Technical Specifications	4
Important Safety Information	4
Specific Operation Warnings	6
Grounding	6
Extension Cords.....	7
Main Parts of Fan	9
Assembly Instructions.....	9
Before Each Use.....	10
Operating Instructions.....	11
After Each Use.....	11
Maintenance	11
Troubleshooting.....	12
Parts Diagram.....	13
Parts List.....	13
Replacement Parts	14
Limited Warranty.....	15

Intended Use

The Strongway Open Motor Belt Drive Drum Fan is designed to provide high-velocity cooling, ventilation, and circulation in commercial environments. The belt drive feature provides an ultra-quiet operation and prolonged motor life. This fan is ideal for use in warehouses, gyms, and other areas of broad space.

Packaging Contents

- Drum Fan Body
- Roller Wheels Axel Unit
- Locking Wheels (2)
- Roller Wheels (2)
- Owner's Manual

Technical Specifications

Item#	Size	Motor	Max Current Consumption	CFM / RPM
49938	36in.	120V / 60Hz / 1/2HP	560W / 5.0A	13,300 / 650
49934	42in.	120V / 60Hz / 3/5HP	735W / 6.5A	17,600 / 600
49935	48in.	120V / 60Hz / 9/10HP	1120W / 9.0A	19500 / 780
79031	60in.	120V / 60Hz / 4/5HP	950W / 8.0A	25500 / 400

Important Safety Information

⚠WARNING

- Read and understand all instructions. Failure to follow all instructions may result in serious injury or property damage.
- The warnings, cautions, and instructions in this manual cannot cover all possible conditions or situations that could occur. Exercise common sense and caution when using this tool. Always be aware of the environment and ensure that the tool is used in a safe and responsible manner.
- Do not allow persons to operate or assemble the product until they have read this manual and have developed a thorough understanding of how it works.
- Do not modify this product in any way. Unauthorized modification may impair the function and/or safety and could affect the life of the product. There are specific applications for which the product was designed.
- Use the right tool for the job. DO NOT attempt to force small equipment to do the work of larger industrial equipment. There are certain applications for which this equipment was designed. This product will be safer and do a better job at the capacity for which it was intended. DO NOT use this equipment for a purpose for which it was not intended.
- Industrial or commercial applications must follow OSHA requirements.

⚠️WARNING

WORK AREA SAFETY

- Inspect the work area before each use. Keep work area clean, dry, free of clutter, and well-lit. Cluttered, wet, or dark work areas can result in injury. Using the product in confined work areas may put you dangerously close to cutting tools and rotating parts.
- Do not use the product where there is a risk of causing a fire or an explosion; e.g., in the presence of flammable liquids, gases, or dust. The product can create sparks, which may ignite the flammable liquids, gases, or dust.
- Do not allow the product to come into contact with an electrical source. The tool is not insulated and contact will cause electrical shock.
- Keep children and bystanders away from the work area while operating the tool. Do not allow children to handle the product.
- Be aware of all power lines, electrical circuits, water pipes, and other mechanical hazards in your work area. Some of these hazards may be hidden from your view and may cause personal injury and/or property damage if contacted.

⚠️WARNING

PERSONAL SAFETY

- Stay alert, watch what you are doing, and use common sense when operating the tool. Do not use the tool while you are tired or under the influence of drugs, alcohol, or medication. A moment of inattention while operating the tool may result in serious personal injury.
- Dress properly. Do not wear loose clothing, dangling objects, or jewelry. Keep your hair, clothing and gloves away from moving parts. Loose clothes, jewelry, or long hair can be caught in moving parts. Air vents on the tool often cover moving parts and should be avoided.
- Wear the proper personal protective equipment when necessary. Use ANSI Z87.1 compliant safety goggles (not safety glasses) with side shields, or when needed, a face shield. Use a dust mask in dusty work conditions. Also use non-skid safety shoes, hardhat, gloves, dust collection systems, and hearing protection when appropriate. This applies to all persons in the work area.
- Do not overreach. Keep proper footing and balance at all times.

⚠️CAUTION

FAN USE AND CARE

- Do not force the fan. Products are safer and do a better job when used in the manner for which they are designed. Plan your work and use the correct product for the job.
- Check for damaged parts before each use. Carefully check that the product will operate properly and perform its intended function. Replace damaged or worn parts immediately. Never operate the product with a damaged part.
- Do not use a product with a malfunctioning switch. Any power tool that cannot be controlled with the power switch is dangerous and must be repaired by an authorized service representative

before using.

- Disconnect the power/air supply from the product and place the switch in the locked or off position before making any adjustments, changing accessories, or storing the tool. Such preventive safety measures reduce the risk of starting the tool accidentally.
- Store the product when it is not in use. Store it in a dry, secure place out of the reach of children. Inspect the tool for good working condition prior to storage and before re-use.
- Use only accessories that are recommended by the manufacturer for use with your product. Accessories that may be suitable for one product may create a risk of injury when used with another tool. Never use an accessory that has a lower operating speed or operating pressure than the tool itself.
- Keep guards in place and in working order. Never operate the product without the guards in place.
- Do not leave the tool running unattended.

Specific Operation Warnings

⚠WARNING

- Ensure the power switch is OFF before plugging in the fan.
- Electric shock hazard. Do not expose to water or rain.
- Be sure equipment is properly grounded.
- Use only outdoor-rated extension cords of proper size.
- Do not use this product with any solid-state speed control device.
- Rotating blade hazard. Can cause serious injury or cut. Keep hands clear.
- DO NOT operate without guards in place.
- Turn power OFF before servicing.
- Not for use by or around children.

Grounding

⚠WARNING

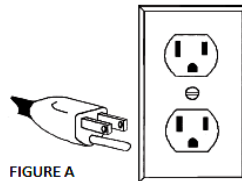
- This machine must be grounded while in use to protect the operator from electrical shock. This unit is equipped with an electrical cord that has an equipment grounding conductor and a grounding plug. The plug **MUST** be plugged into a matching receptacle that is properly installed and grounded in accordance with ALL local codes and ordinances.
- **DO NOT MODIFY THE PROVIDED PLUG.** If it will not fit the receptacle, have the proper receptacle installed by a qualified electrician.
- **CHECK** with a qualified electrician or service person if you do not completely understand the grounding instructions, or if you are not sure the tool is properly grounded.

Grounded Tools: Tools with 3-Prong Plugs

Tools marked with **Grounding Required** have a 3-wire cord and 3-prong grounding plug. The plug must be connected to a properly grounded outlet. If the tool should electrically malfunction or break down, grounding provides a low resistance path to carry electricity away from the user, reducing the risk of electric shock. (See Figure A.)

The grounding prong in the plug is connected through the green wire inside the cord to the grounding system in the tool. The green wire in the cord must be the only wire connected to the tool's grounding system and must never be attached to an electrically live terminal.

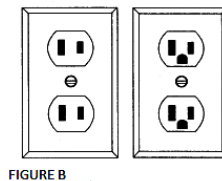
Your tool must be plugged into an appropriate outlet, properly installed and grounded in accordance with all codes and ordinances. The plug and outlet should look like those in the following illustration.



Double Insulated Tools: Tools with Two-Prong Plugs

Tools marked **Double Insulated** do not require grounding. They have a special double insulation system which satisfies OSHA requirements and complies with the applicable standards of Underwriters Laboratories, Inc., the Canadian Standard Association, and the National Electrical Code. (See Figure B.)

Double insulated tools may be used in either of the 120-volt outlets shown in the following illustration.



Extension Cords

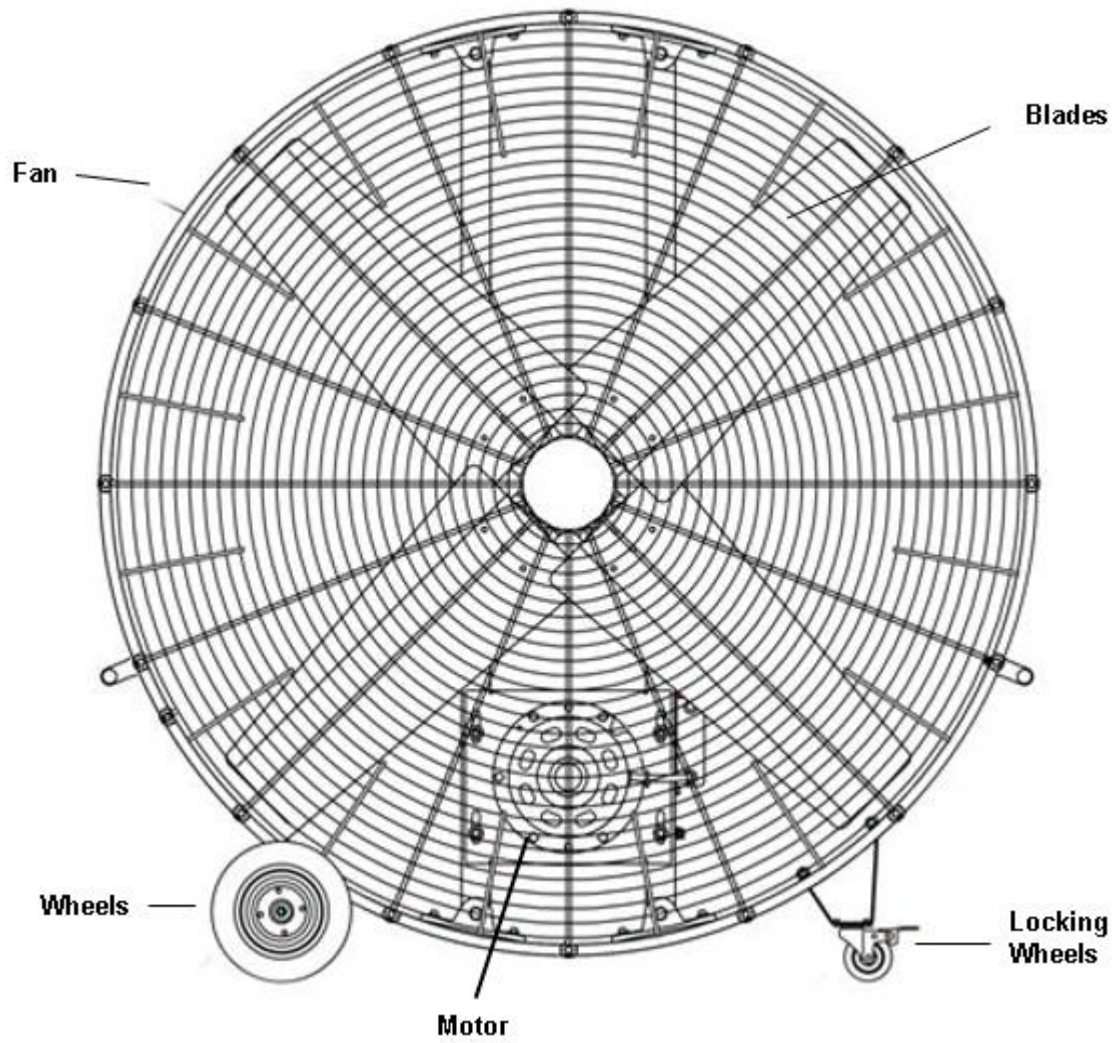
⚠ WARNING

- USE A PROPER EXTENSION CORD. Make sure your extension cord is in good condition. When using an extension cord, be sure to use one heavy enough to carry the current your product will draw. An undersized cord will cause a drop in line voltage, resulting in loss of power and cause overheating.
- Be sure your extension cord is properly wired and in good condition. Always replace a damaged extension cord or have it repaired by a qualified person before using it. Protect your extension cords from sharp objects, excessive heat and damp or wet areas.
- Grounded tools require a 3-wire extension cord. Double Insulated tools can use either a 2- or 3-wire extension cord.
- As the distance from the supply outlet increases, you must use a heavier gauge extension cord. Using extension cords with inadequately sized wire causes a serious drop in voltage, resulting in loss of power and possible tool damage.
- The smaller the wire's gauge number, the greater the capacity of the cord. For example, a 14-gauge cord can carry a higher current than a 16-gauge cord. Minimum extension cord wire size is shown in the following table:

Minimum Wire Size Of Extension Cords				
Nameplate AMPS	Cord Length			
	25'	50'	100'	150'
0-6	18 AWG	16 AWG	16 AWG	14 AWG
6-10	18 AWG	16 AWG	14 AWG	12 AWG
10-12	16 AWG	16 AWG	14 AWG	12 AWG
12-16	14 AWG	12 AWG	NOT RECOMMENDED	

- When using more than one extension cord to make up the total length, make sure each cord contains at least the minimum wire size required.
- If you are using one extension cord for more than one tool, add the nameplate amperes and use the sum to determine the required minimum cord size.
- If you are using an extension cord outdoors, make sure it is marked with the suffix **W-A** (**W** in Canada) to indicate it is acceptable for outdoor use.
- Make sure your extension cord is properly wired and in good electrical condition. Always replace a damaged extension cord or have it repaired by a qualified electrician before using it.
- Protect your extension cords from sharp objects, excessive heat, and damp or wet areas.

Main Parts of Fan

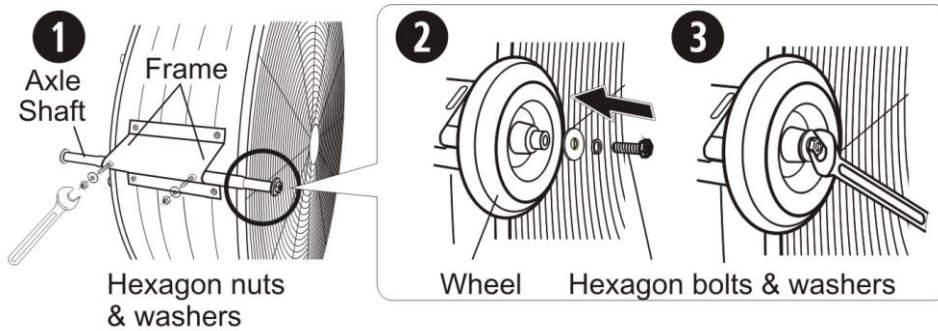


Assembly Instructions

⚠WARNING

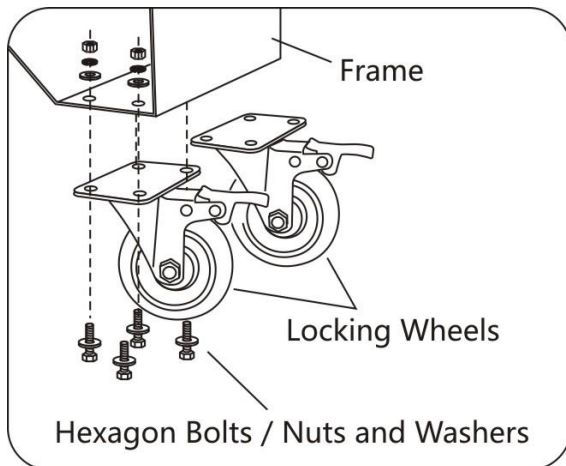
- Be sure the fan does not have any damage.

1. Insert the axle shaft through the hole in the frame. Align the holes in the axle and frame. Secure the screws and washers, as shown below.
2. Slide in each wheel over the end of each axle shaft and secure with hex bolts and washers.
3. Tighten all connections securely.



Locking Wheel Installation for Model #79031

1. Attach the locking wheel component (2) to the frame.
2. Place the washer on the hex bolt.
3. Insert the bolt through the opening on the locking wheel component.
4. Tighten the nuts firmly to secure the wheel component.



Before Each Use

⚠WARNING

- Before using, be sure the fan does not have any damaged parts.

Place fan on a flat, stable surface.

Operating Instructions

⚠WARNING

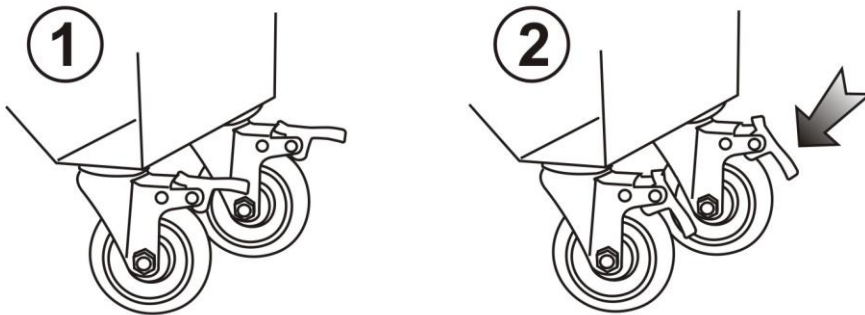
- Electric shock hazard. Do not expose to water or rain.
- Do not use this product with any solid-state speed control device.
- Rotating blade hazard. Can cause serious injury or cut. Keep hands clear.
- DO NOT operate without guards in place.

1. Plug the fan into the grounded power outlet.
2. Direct the fan to the area of desired air flow. Select the blade speed by setting the switch to **HIGH** (2), **LOW** (1), or **OFF** (0).

NOTE: It is expected that the motor will feel warm to the touch after continuous operation. This fan features a thermostat that will automatically shut off if it overheats for any reason. If this happens, immediately unplug the fan from the outlet. Wait approximately 15 minutes before plugging the fan back in.

Locking Wheel Instruction for Model #79031

1. When the wheels are unlocked, the fan can roll in any direction.
2. When wheels are in the locked position, the fan will not roll.



After Each Use

⚠WARNING

- Be sure no parts of the fan are damaged.

Be sure the fan speed control is in the OFF position.

Maintenance

⚠WARNING

- Turn power OFF and unplug fan before servicing.

Maintain the fan by adopting a program of conscientious repair and maintenance in accordance with the following recommended procedures. Keep your fan in good repair. Maintain your fan. It is recommended that the general condition of any fan be examined before it is used. Keep your fan in good repair by adopting a program of conscientious repair and maintenance in accordance with the recommended procedures found in this manual.

1. Depending on the usage and severity, a regularly scheduled inspection should be established.
2. Check for unusual noises when circulator is running.

The following chart is based on a normal operation schedule.

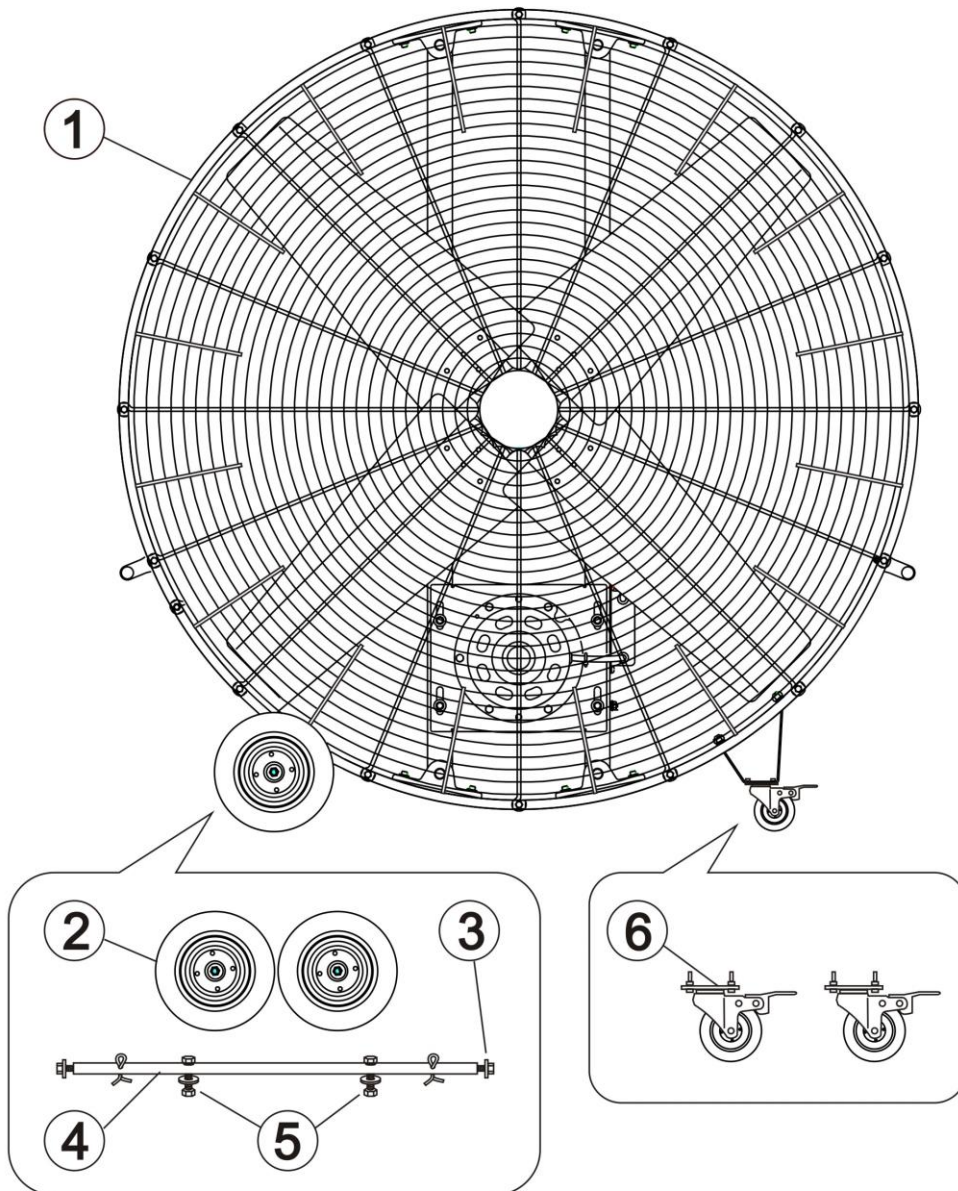
Maintenance Interval	Maintenance Point
Daily before operating	<ul style="list-style-type: none"> • Be sure all parts of the fan are secured. • Be sure there are no damages to any part of the fan. • Be sure the fan is on a level surface.
After the first 20 operating hours	<ul style="list-style-type: none"> • Be sure all parts of the fan are secured. • Be sure there aren't any damages to any part of fan. • Be sure the fan is on a level surface.
After the first 50 operating hours or every week	<ul style="list-style-type: none"> • Be sure all parts of fan are secured. • Be sure there aren't any damages to any part of fan. • Be sure the fan is on a level surface. • Wipe residue off the front and back of the grill. Use a soft, damp cloth (water only) for cleaning, then wipe with a dry cloth.

Troubleshooting

⚠WARNING
<ul style="list-style-type: none"> • Do not operate fan if any part is damaged.

Failure	Possible Cause	Corrective Action
Fan stops operating.	Surges in electrical power or excessive heat may cause the fan to turn off.	Wait approximately 15 minutes for the fan to resume operation.
Vibrating sound occurs.	Grill can loosen over long continuous use.	Tighten screws that attach the grill to the drum.

Parts Diagram



Parts List

Reference	Part Description	Quantity
1	Drum Fan Body	1
2	Wheels	2
3	Hex Bolts and Washers	2 of each
4	Axle	1
5	Lock Nuts and Washers	2 of each
6	Locking Wheels	2

Replacement Parts

- For replacement parts and technical questions, please call Customer Service at **1-800-222-5381**.
- Not all product components are available for replacement. The illustrations provided are a convenient reference to the location and position of parts in the assembly sequence.
- When ordering parts, the following information will be required: item description, item model number, item serial number/item lot date code, and the replacement part reference number.
- The distributor reserves the rights to make design changes and improvements to product lines and manuals without notice.

Limited Warranty

Northern Tool and Equipment Company, Inc. ("We" or "Us") warrants to the original purchaser only ("You" or "Your") that the Strongway product purchased will be free from material defects in both materials and workmanship, normal wear and tear excepted, for a period of one year from date of purchase. The foregoing warranty is valid only if the installation and use of the product is strictly in accordance with product instructions. There are no other warranties, express or implied, including the warranty of merchantability or fitness for a particular purpose. If the product does not comply with this limited warranty, Your sole and exclusive remedy is that We will, at our sole option and within a commercially reasonable time, either replace the product or product component without charge to You or refund the purchase price (less shipping). This limited warranty is not transferable.

Limitations on the Warranty

This limited warranty does not cover: (a) normal wear and tear; (b) damage through abuse, neglect, misuse, or as a result of any accident or in any other manner; (c) damage from misapplication, overloading, or improper installation; (d) improper maintenance and repair; and (e) product alteration in any manner by anyone other than Us, with the sole exception of alterations made pursuant to product instructions and in a workmanlike manner.

Obligations of Purchaser

You must retain Your product purchase receipt to verify date of purchase and that You are the original purchaser. To make a warranty claim, contact Us at 1-800-222-5381, identify the product by make and model number, and follow the claim instructions that will be provided. The product and the purchase receipt must be provided to Us in order to process Your warranty claim. Any returned product that is replaced or refunded by Us becomes our property. You will be responsible for return shipping costs or costs related to Your return visit to a retail store.

Remedy Limits

Product replacement or a refund of the purchase price is Your sole remedy under this limited warranty or any other warranty related to the product. We shall not be liable for: service or labor charges or damage to Your property incurred in removing or replacing the product; any damages, including, without limitation, damages to tangible personal property or personal injury, related to Your improper use, installation, or maintenance of the product or product component; or any indirect, incidental or consequential damages of any kind for any reason.

Assumption of Risk

You acknowledge and agree that any use of the product for any purpose other than the specified use(s) stated in the product instructions is at Your own risk.

Governing Law

This limited warranty gives You specific legal rights, and You also may have other rights which vary from state to state. Some states do not allow limitations or exclusions on implied warranties or incidental or consequential damages, so the above limitations may not apply to You. This limited warranty is governed by the laws of the State of Minnesota, without regard to rules pertaining to conflicts of law. The state courts located in Dakota County, Minnesota shall have exclusive jurisdiction for any disputes relating to this warranty.



Distributed by:

Northern Tool & Equipment Company, Inc.

Burnsville, Minnesota 55306

www.northerntool.com

Made in China