

BANNON

120In. High-Volume Ceiling Fan

Owner's Manual



⚠ WARNING: Read carefully and understand all ASSEMBLY AND OPERATION INSTRUCTIONS before operating. Failure to follow the safety rules and other basic safety precautions may result in serious personal injury.

Item #79029

Thank you very much for choosing a Bannon™ product!

For future reference, please complete the owner's record below:

Serial Number/Lot Date Code (if applicable): _____

Purchase Date: _____

Save the receipt, warranty, and this manual. It is important that you read the entire manual to become familiar with this product before you begin using it.

This fan is designed for certain applications only. Northern Tool and Equipment is not responsible for issues arising from modification or improper use of this product such as an application for which it was not designed. We strongly recommend that this product not be modified and/or used for any application other than that for which it was designed.

For technical questions, please call **1-800-222-5381**.

Table of Contents

Intended Use.....	4
Packaging Contents	4
Technical Specifications.....	4
Important Safety Information.....	4
Specific Operation Warnings.....	6
Main Parts of Fan	8
Assembly Instructions	8
Before Each Use.....	187
Operating Instructions	17
After Each Use.....	19
Maintenance.....	19
Troubleshooting	20
Parts Diagram	21
Parts List.....	21
Replacement Parts	21
Limited Warranty	22

Intended Use

The Bannon 120" High-Volume Ceiling Fan is a low electric usage fan perfect for continued use.

- 40,000 CFM cools large areas fast
- Cools up to 1200 sq. feet
- Energy-efficient DC motor runs quieter than standard AC motor
- Direct-drive motor uses less power and needs less maintenance
- Includes 24in. down rod and 6-speed remote control
- Heavy duty steel construction
- Includes 6-speed remote control (with inset)
- Requires hardwired electrical connection; professional installation recommended
- Aerodynamic balanced blades give optimum air movement at as low as 44 RPM

Packaging Contents

- Motor
- 8-Blade Pack
- Down Rod Assembly
- Receiver
- Hardware Packet
- Canopy
- Remote with Wall Bracket
- Mounting Bracket
- Owner's Manual

Technical Specifications

Property	Specification
Motor	120 Volt / 60 Hz AC
Max Current Consumption	1.5 Amps/120 Watts
Airflow	40,000 CFM
Diameter	120"

Important Safety Information

⚠WARNING

- Read and understand all instructions. Failure to follow all instructions may result in serious injury or property damage.
- The warnings, cautions, and instructions in this manual cannot cover all possible conditions or situations that could occur. Exercise common sense and caution when using this tool. Always be aware of the environment and ensure that the tool is used in a safe and responsible manner.
- Do not allow persons to operate or assemble the product until they have read this manual and have developed a thorough understanding of how it works.
- Do not modify this product in any way. Unauthorized modification may impair the function and/or safety and could affect the life of the product. There are specific applications for which the product

was designed.

- Use the right tool for the job. DO NOT attempt to force small equipment to do the work of larger industrial equipment. There are certain applications for which this equipment was designed. This product will be safer and do a better job at the capacity for which it was intended. DO NOT use this equipment for a purpose for which it was not intended.
- Industrial or commercial applications must follow OSHA requirements.

⚠WARNING

WORK AREA SAFETY

- Inspect the work area before each use. Keep work area clean, dry, free of clutter, and well-lit. Cluttered, wet, or dark work areas can result in injury. Using the product in confined work areas may put you dangerously close to cutting tools and rotating parts.
- Do not use the product where there is a risk of causing a fire or an explosion; e.g., in the presence of flammable liquids, gases, or dust. The product can create sparks, which may ignite the flammable liquids, gases, or dust.
- Do not allow the product to come into contact with an electrical source. The tool is not insulated and contact will cause electrical shock.
- Keep children and bystanders away from the work area while operating the tool. Do not allow children to handle the product.
- Be aware of all power lines, electrical circuits, water pipes, and other mechanical hazards in your work area. Some of these hazards may be hidden from your view and may cause personal injury and/or property damage if contacted.

⚠WARNING

PERSONAL SAFETY

- Stay alert, watch what you are doing, and use common sense when operating the tool. Do not use the tool while you are tired or under the influence of drugs, alcohol, or medication. A moment of inattention while operating the tool may result in serious personal injury.
- Dress properly. Do not wear loose clothing, dangling objects, or jewelry. Keep your hair, clothing and gloves away from moving parts. Loose clothes, jewelry, or long hair can be caught in moving parts. Air vents on the tool often cover moving parts and should be avoided.
- Wear the proper personal protective equipment when necessary. Use ANSI Z87.1 compliant safety goggles (not safety glasses) with side shields, or when needed, a face shield. Use a dust mask in dusty work conditions. Also use non-skid safety shoes, hardhat, gloves, dust collection systems, and hearing protection when appropriate. This applies to all persons in the work area.
- Do not overreach. Keep proper footing and balance at all times.

⚠CAUTION

FAN USE AND CARE

- Do not force the fan. Products are safer and do a better job when used in the manner for which they are designed. Plan your work and use the most appropriate product for the job.
- Check for damaged parts before each use. Carefully check that the product will operate properly and perform its intended function. Replace damaged or worn parts immediately. Never operate the product with a damaged part.
- Do not use a product with a malfunctioning switch. Any power tool that cannot be controlled with the power switch is dangerous and must be repaired by an authorized service representative before using.
- Disconnect the power/air supply from the product and place the switch in the locked or off position before making any adjustments, changing accessories, or storing the tool. Such preventive safety measures reduce the risk of starting the tool accidentally.
- Use only accessories that are recommended by the manufacturer for use with your product. Accessories that may be suitable for one product may create a risk of injury when used with another tool. Never use an accessory that has a lower operating speed or operating pressure than the tool itself.
- Keep guards in place and in working order. Never operate the product without the guards in place.

Specific Operation Warnings

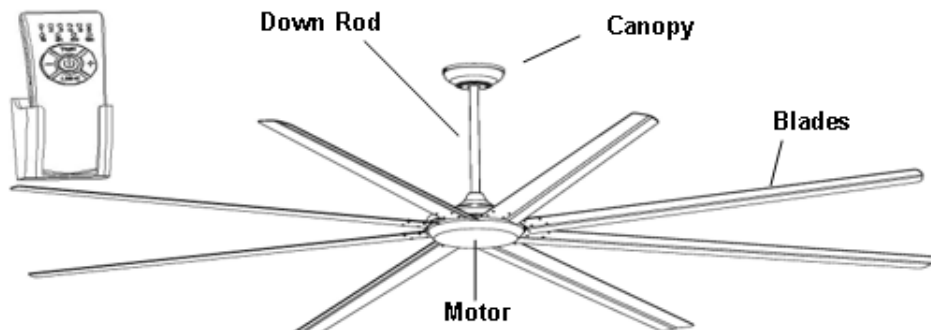
⚠WARNING

- To reduce the risk of injury to persons, the fan must be installed so that the blades are a height greater than 3.05 meters (10 feet) above the floor.
- In order to ensure that the fan has the best air volume, it is recommended that the installation height of the blade be between 3.05 and 4 meters (10 and 13.1 feet) above the floor
- To reduce the risk of electric shock, or personal injury, mount to outlet box marked “acceptable for fan support of 50 lb. or less” and use mounting screws provide with the outlet box and/or support directly from building structure. Most outlet boxes commonly used for the support of lighting fixtures are not acceptable for fan support and may need to be replaced. Consult a qualified electrician if in doubt.
- To reduce the risk of fire or electrical shock, this fan should only be used with fan speed control part #: BF-5, manufactured by: Zhongshan Hongwei Motor Manufacturing Co., Ltd.
- To reduce the risk of fire or electrical shock, do not expose fan to water or rain.
- Do not use fan near windows; rain and moisture may create an electrical hazard.
- Do not alter fan’s assembly.
- Automatically operated device — to reduce risk of injury, disconnect from power supply before servicing.
- Installation work and electrical wiring must be done by a qualified electrician in accordance with all applicable codes and standards (ANSI/NFPA 70-1996) including fire-rated construction.

- Before you begin installing the fan, switch power off at the service panel and lock service disconnecting means prevent power from switched on accidentally. When the service disconnecting means cannot be locked, securely fasten a prominent warning device, such as a tag to the service panel.
- If the power supply cord is damaged, contact your local service center or a qualified electrician to install an appropriate replacement cord to prevent any injury or damage.
- The appliance should not be used in locations where special conditions prevail such as the presence of a corrosive or explosive atmosphere (dust, vapor, gas).
- After making wire connection, gently push connections into the outlet box with wire nuts pointing up. The wires should be spread apart with the grounded conductor and the equipment grounding conductor on one side of the outlet box and the ungrounded conductor on the other side of the outlet box.
- When cutting or drilling in the ceiling or wall, do not damage electrical wiring and other hidden utilities.
- To reduce the risk of injury, do not bend blade holders during installation to motor, balancing or during cleaning. Do not insert foreign object between rotating blades.
- Attach the mounting bracket using only the hardware supplied with the outlet box. Fan is only to be mounted to an outlet box marked "Acceptable for Fan Support".
- When moving or cleaning fan, turn off power at service panel and lock service disconnecting means to prevent power being turned on accidentally. When the service connecting means cannot be locked, securely fasten a prominent warning device, such as a tag to the service panel.
- All set screws must be checked and re-lightened where necessary before installation.
- Do not place the fan near an open flame, cooking or heating appliance, or hot surface.
- This fan should NOT be operated outside.
- Do not operate fan without blades attached.

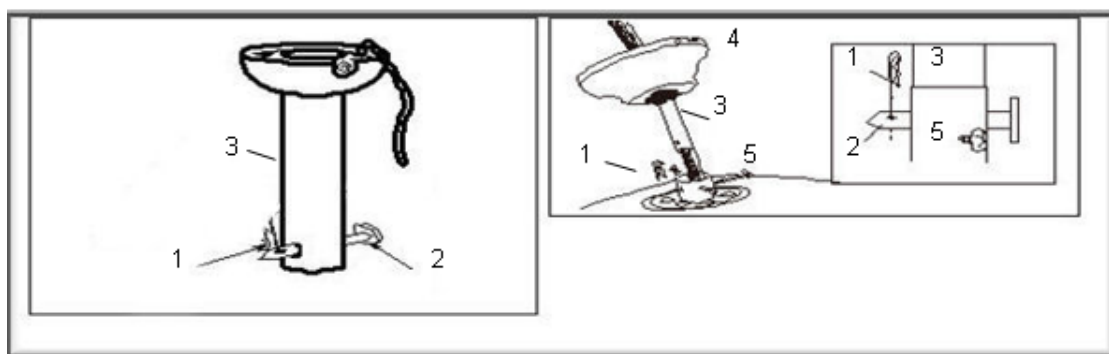
Main Parts of Fan

Remote Control



Down Rod

Mounting



Subassembly

Clamp Pin (1)

Cross Pin (2)

Down Rod (3)

Canopy (4)

Yoke (5)

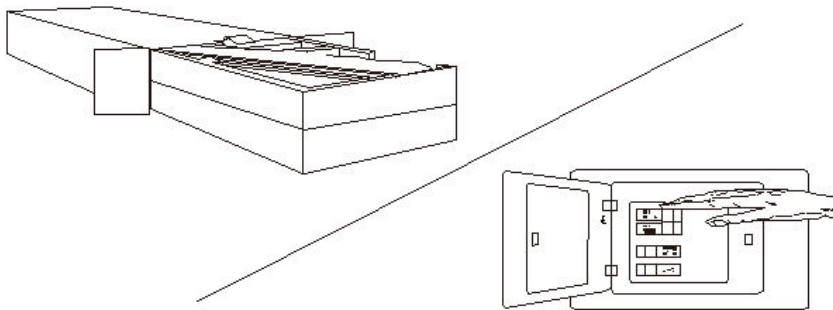
Assembly Instructions

⚠WARNING

- To reduce the risk of injury to persons, the fan must be installed so that the blades are a height greater than 3.05 meters (10 feet) above the floor.
- In order to ensure that the fan has the best air volume, it is recommended that the installation height of the blade be between 3.05 and 4 meters (10 and 13.1 feet) above the floor
- To reduce the risk of electric shock, or personal injury, mount to outlet box marked "acceptable for fan support of 22.7 Kg (50 lb.) or less" and use mounting screws provide with the outlet box and/or support directly from building structure. Most outlet boxes commonly used for the support of lighting fixtures are not acceptable for fan support and may need to be replaced. Consult a qualified electrician if in doubt.

- To reduce the risk of fire or electrical shock, this fan should only be used with fan speed control part #:BF-5, manufactured by: Zhongshan Hongwei Motor Manufacturing Co., Ltd.
- Installation work and electrical wiring must be done by a qualified electrician in accordance with all applicable codes and standards (ANSI/NFPA 70-1996) including fire-rated construction.
- Before you begin installing the fan, switch power off at the service panel and lock service disconnecting means prevent power from switched on accidentally. When the service disconnecting means cannot be locked, securely fasten a prominent warning device, such as a tag to the service panel.
- If the power supply cord is damaged, contact your local service center or a qualified electrician to install an appropriate replacement cord to prevent any injury or damage.
- When cutting or drilling in the ceiling or wall, do not damage electrical wiring and other hidden utilities.
- To reduce the risk of injury, do not bend blade holders during installation to motor, balancing or during cleaning. Do not insert foreign object between rotating blades.
- Attach the mounting bracket using only the hardware supplied with the outlet box. Fan is only to be mounted to an outlet box marked "Acceptable for Fan Support".
- All set screws must be checked and re-lightened where necessary before installation.
- **IMPORTANT: To ensure better reception of signals, please ensure that the Receiver Antenna is exposed outside the canopy**
- **Do not operate fan without blades attached.**

Preparing for Installation



1. Unpack and inspect the fan carefully to be certain all contents are included.
2. Turn off the power at the fuse box to avoid possible electrical shock.

Flat Ceiling Installation

The fan hangs from the ceiling by the included down rod.

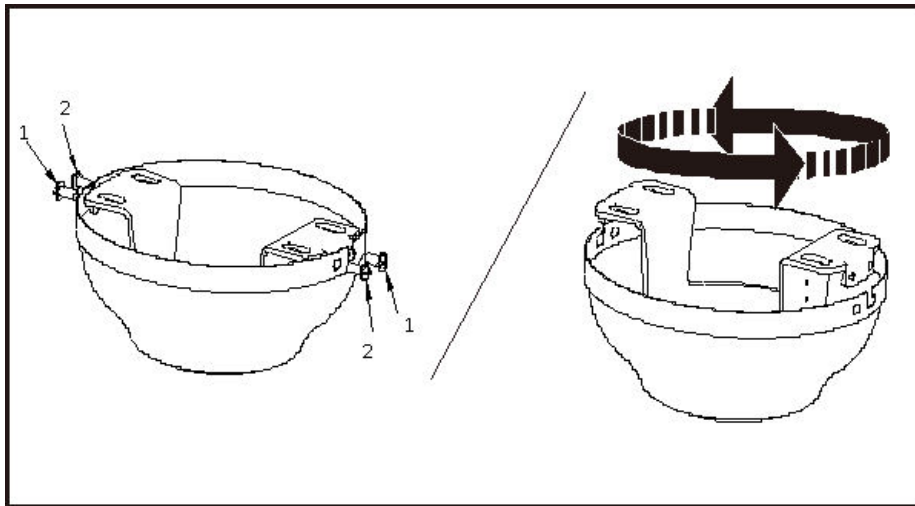
Vaulted Ceiling Installation

For this installation, the fan may need a longer down rod (sold separately) to hang perpendicular to the floor without the ceiling obstructing the fan's blade rotation. For optimum air movement, it is

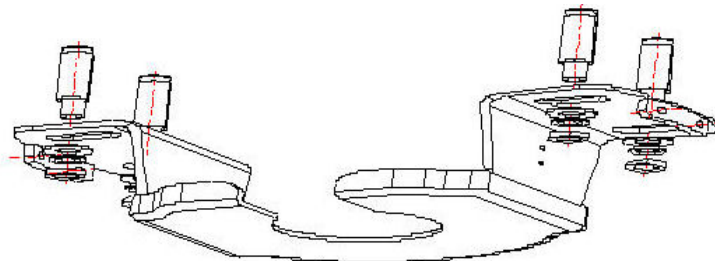
recommended that the tip of the blade be no closer than 30" from the building structure. If your ceiling angle is greater than 34", you may also need an angled mounting kit (sold separately).



Mounting Bracket Installation

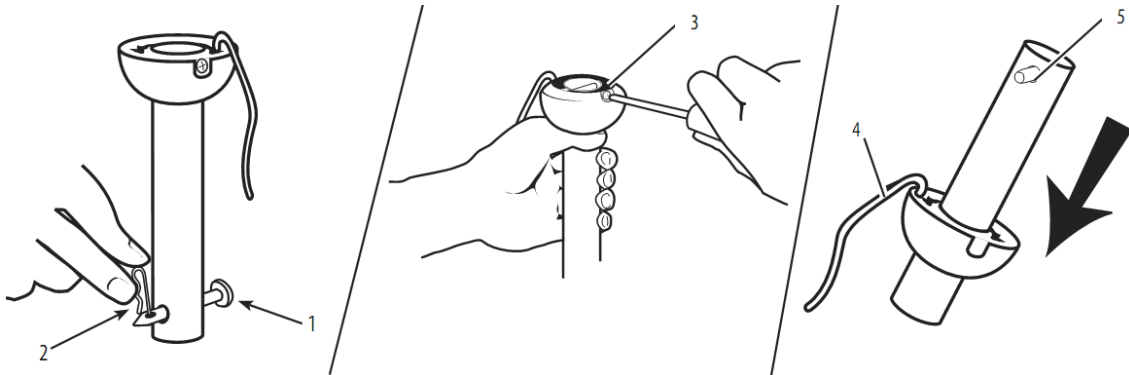


1. Remove the screws from the two matching holes (1) on the canopy.
2. Loosen (do not remove) the screws in the matching slots (2) on the canopy.
3. Rotate the mounting bracket and remove it from the canopy.



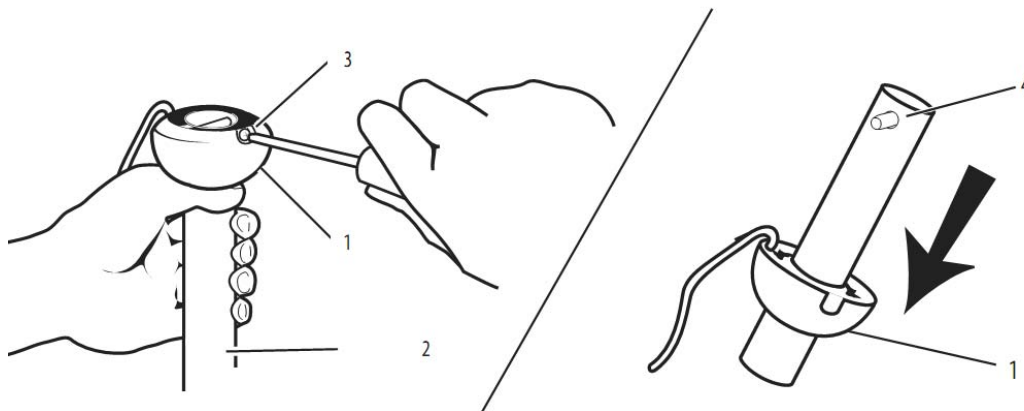
Install the mounting bracket to the outlet box in the ceiling, using the screws and the washers provided with your outlet box.

Down Rod Assembly PREPARATION (included)



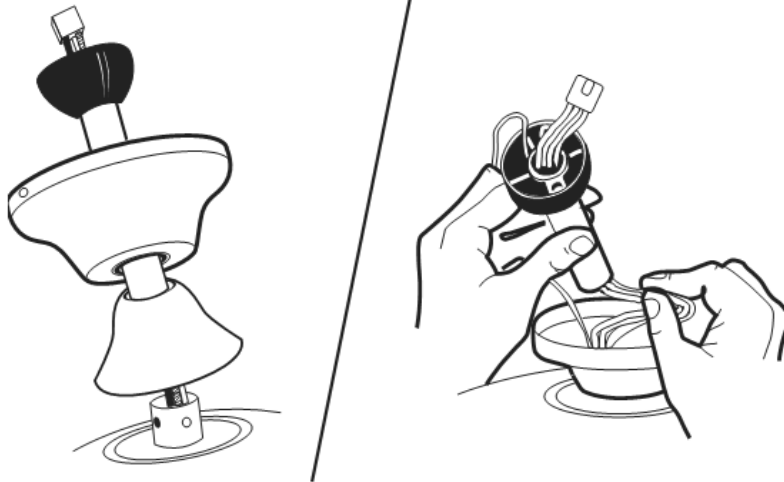
Remove clamp pin (2) and cross pin (1) from down rod. Loosen set screws in down rod ball (3) until ball moves easily up and down the down rod. Do not remove ground wire (4) from ball. Slide down rod ball down, exposing cross pin (5). Do not remove ball completely. Remove cross pin and save for later use.

Using an Extended Down Rod (not included)



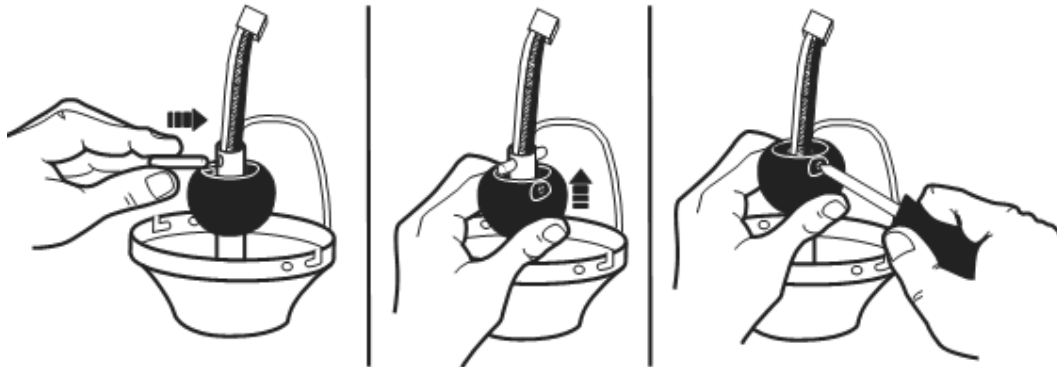
If installing an extended downrod. Loosen downrod ball (1) from downrod (2) by removing set screws (3). Slide downrod ball (1) down and remove pin (4). Keep them for next step using.

DOWN ROD INSTALLATION

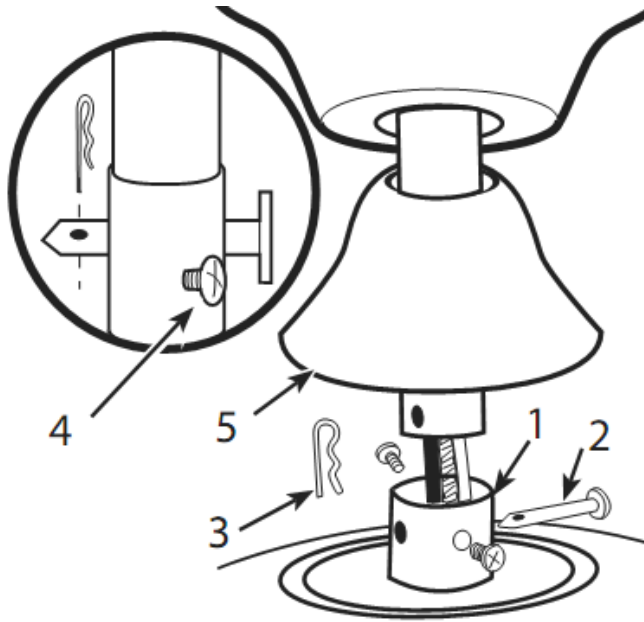


Insert the down rod or extended down rod through the canopy and coupling cover. Carefully thread lead wires and plug through the down rod and ball assembly.

Note: contact a qualified electrician to install an appropriate extended cord for the extended down rod installation.



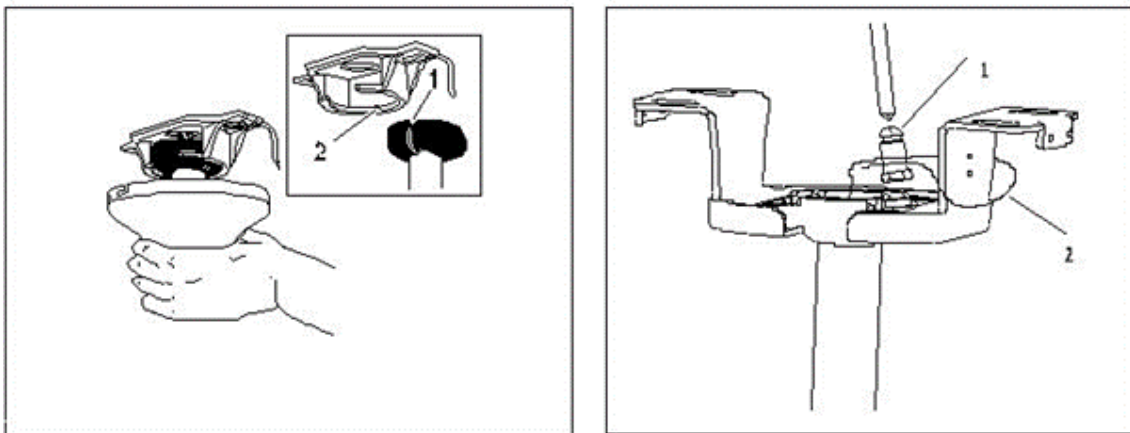
Re-install cross pin into down rod and slide down rod ball up until cross pin fits firmly into ball. Tighten set screws in ball. **Note:** For the extended down rod, assemble the down rod ball to down rod, slide down rod ball up to the top of the down rod.



Loosen set screws in downrod coupling (1). Insert downrod into downrod coupling. Make sure to align hole

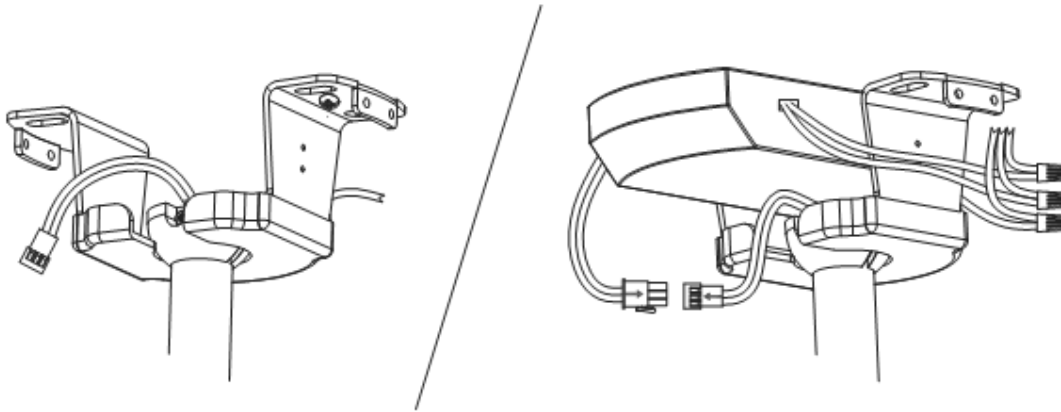
in downrod with the hole in coupling. Install yoke cross pin (2) through yoke and down-rod. Insert clamp pin (3) into cross pin until it snaps into place. Tighten set screws (4) in coupling. Slide coupling cover (5) over coupling.

Hanging Assembly

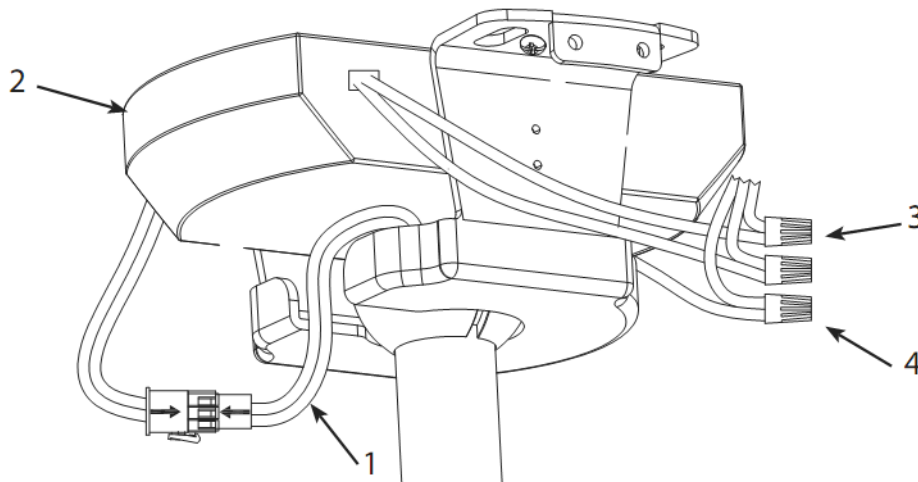


1. Carefully lift the fan assembly onto the mounting bracket.
2. Rotate the fan until the notch on down rod ball (1) engages the ridge of the mounting bracket (2). This will allow for hands-free wiring.
3. Securely tighten the safety wire (1) to the hanger bracket (2).

WIRING OPTIONS

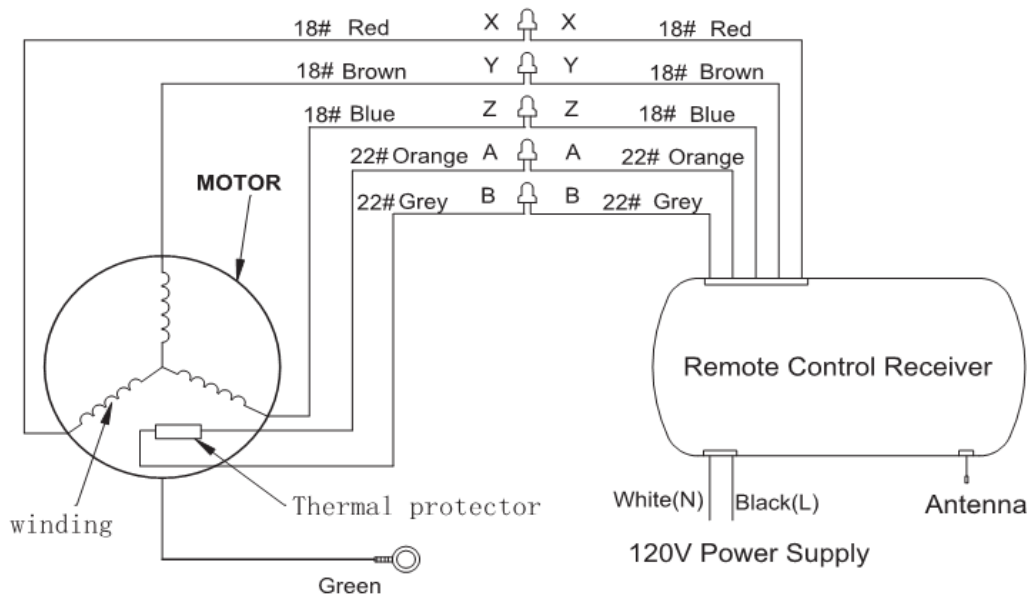


After hanging fan onto the mounting bracket, make sure plug connector from the ceiling fan and lead wire from outlet box are moved away from the space located above the down rod ball. Slide the remote receiver into the space above the down rod ball as shown.



While fan is hanging on bracket, plug 6-pole connector (1) from the fan into the 6-pole plug connector from the remote receiver (2). Connect the wire from receiver to the wire from the housing by wire nut supplied (3), white to white and black to blue. Connect the green ground wire (4) from the mounting bracket and down rod ball to the bare copper or green ground wire from the outlet box.

Wiring Diagram

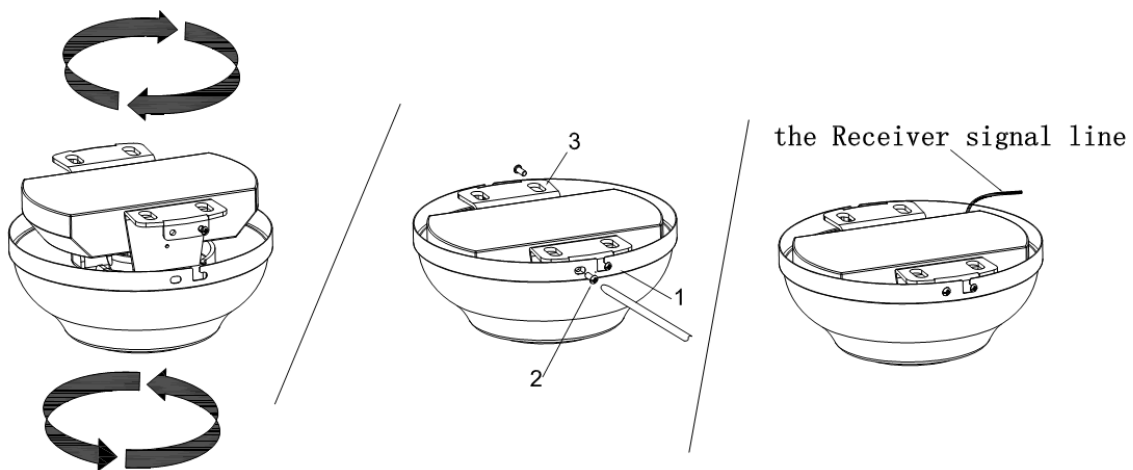


If installing an extended downrod.

1. Connect the wiring from the housing and the motor to the remote receiver, as shown above.
2. Connect using wire nuts (not provided).

Securing the Canopy

1. After wiring, slide the canopy up to the mounting bracket.
2. The canopy has tow mating slots (1) and two mating holes (2).



3. Lift the canopy allowing the two screws to slide into the mating slots.
4. Rotate the canopy until both screws from the mounting bracket drop into the slot recesses.

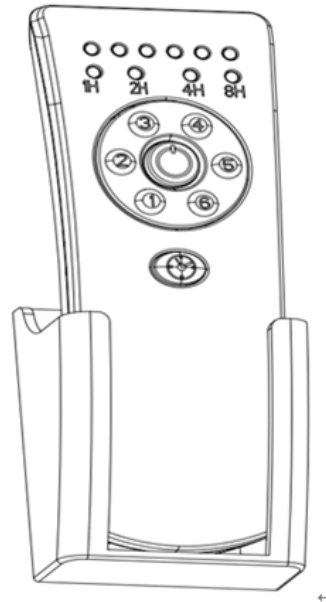
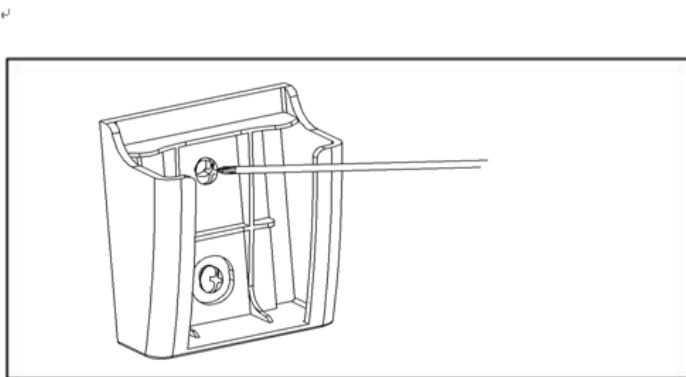
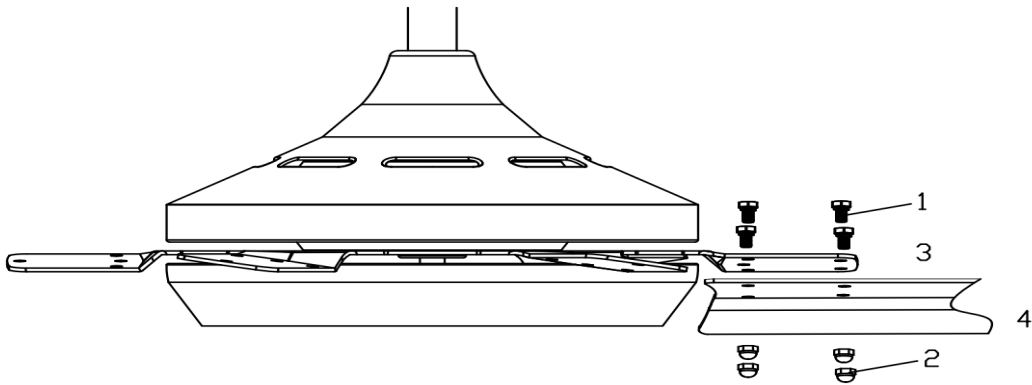
5. Tighten the screws securely.
6. Install the two screws into the mating holes of the canopy and tighten to secure the canopy to the mounting bracket.

IMPORTANT: To ensure better reception of signals, please ensure that the Receiver Antenna is exposed outside the canopy

Attaching Blades to the Fan

IMPORTANT: Do not operate fan without blades attached.

1. Insert the blades (5) through the slots on the motor housing, as shown.
2. Use the provided screws (1), washers (2), and bolts (3) to tighten the blades to the pre-attached blade brackets (4).



3. Mount the transmitter holder onto the wall using screws provided.
4. Place the transmitter into the holder.

Before Each Use

⚠WARNING

- Be sure obstructions are not in the fan's path of operation.
- Check that batteries are in good condition in the remote control transmitter.

Operating Instructions

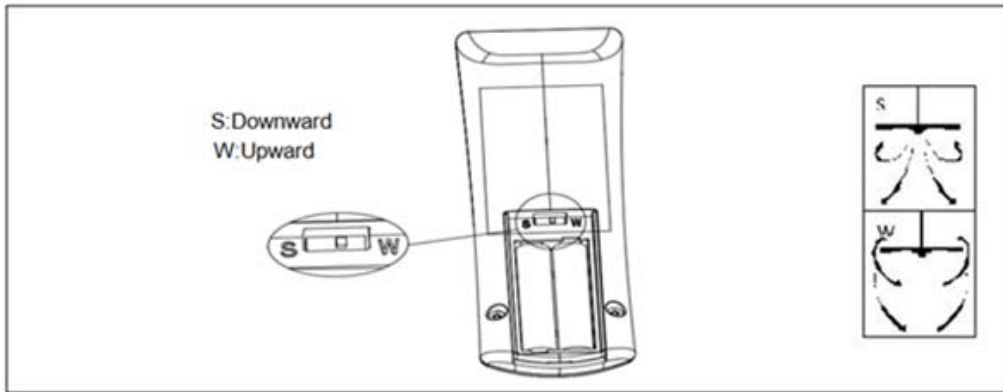
⚠WARNING

- To reduce the risk of electric shock, or personal injury, mount to outlet box marked “acceptable for fan support of 22.7 Kg (50 lb.) or less” and use mounting screws provide with the outlet box and/or support directly from building structure. Most outlet boxes commonly used for the support of lighting fixtures are not acceptable for fan support and may need to be replaced. Consult a qualified electrician if in doubt.
- To reduce the risk of fire or electrical shock, this fan should only be used with fan speed control part #:BF-5, manufactured by: Zhongshan Hongwei Motor Manufacturing Co., Ltd.
- To reduce the risk of fire or electrical shock, do not expose fan to water or rain.
- Do not use fan near windows; rain and moisture may create an electrical hazard.
- Automatically operated device — to reduce risk of injury, disconnect from power supply before servicing.
- If the power supply cord is damaged, contact your local service center or a qualified electrician to install an appropriate replacement cord to prevent any injury or damage.
- The appliance should not be used in locations where special conditions prevail such as the presence of a corrosive or explosive atmosphere (dust, vapor, gas).
- To reduce the risk of injury, do not bend blade holders during installation to motor, balancing or during cleaning. Do not insert foreign object between rotating blades.
- When moving or cleaning fan, turn off power at service panel and lock service disconnecting means to prevent power being turned on accidentally. When the service connecting means cannot be locked, securely fasten a prominent warning device, such as a tag to the service panel.
- This fan should NOT be operated outside.

Setting Fan's Air Flow

Be sure the slide switch is pushed firmly to one side or the other. The fan will not operate with the slide switch in the middle.

- To reverse the direction of the blades, slide the reverse switch (located on the top of the motor housing) to the opposite side.
- Use two AAA/1.5v batteries.



Remote-control Fan Operation

- Turn on the power and check the operation of the fan.
- The remote-control transmitter controls the fan speeds: the lowest speed to the highest speed and OFF. The slide switch controls the fan flow direction: downward or upward.

NOTE: The most effective control distance of the remote controller is within 8 meters (26.3 feet).

- **WARM WEATHER (downward):** The fan turns in a counter-clockwise direction. A downward air flow creates a cooling effect (S).
- **COOL WEATHER (upward):** The fan turns in a clockwise direction. An upward air flow moves warm air off the ceiling area and down into the room environment (W).

NOTE: Turn off the fan and wait for it to come to a stop before changing the setting of the slide switch.

IMPORTANT: To ensure better reception of signals, please ensure that the Receiver Antenna is exposed outside the canopy



Controlling More Than One Fan with Remote Control

The remote-control transmitter and receiver are matched at the factory. The matching process allows the same remote-control transmitter to control another identical model ceiling fan.

- 1) Press the TIME key ⌚ & Power key ⏻ simultaneously.
- 2) The ceiling fan will make a tick sound twice. This means the fan has recognized the remote control and you can:
 - a. Control the fan with the remote control.

- b. Re-match two ceiling fans with one remote control transmitter with the same process.

NOTE: To control two fans simultaneously, the installation distance between the two fans must not exceed 30 feet.

After Each Use

⚠WARNING

- Be sure fan is not making unusual sounds or movements.
- Be sure fan is switched off when unattended.

Maintenance

⚠WARNING

- Be sure not to loosen any of the fan’s connections while maintaining your fan.
- **TURN OFF FAN AND BREAKER AT ELECTRICAL SUPPLY BEFORE CLEANING.**
- Do not bend blades during cleaning.
- If the power supply cord is damaged, contact your local service center or a qualified electrician to install an appropriate replacement cord to prevent any injury or damage.
- When moving or cleaning fan, turn off power at service panel and lock service disconnecting means to prevent power being turned on accidentally. When the service connecting means cannot be locked, securely fasten a prominent warning device, such as a tag to the service panel.
- Do not use cleaners that harm paints or plastics; i.e., bleach or ammonia.

Maintain the fan by adopting a program of conscientious repair and maintenance in accordance with the following recommended procedures. Keep your fan in good repair. Maintain your fan. It is recommended that the general condition of any fan be examined before it is used. Keep your fan in good repair by adopting a program of conscientious repair and maintenance in accordance with the recommended procedures found in this manual

- Because of the fan’s natural movement, some connections may become loose. Check the support connections, brackets, and blade attachments twice a year. Make sure they are secure.
- There is no need to oil your fan. The motor has permanently lubricated bearings.

Maintenance Interval	Maintenance Point
Daily before operating	Be sure fan parts are not damaged. Be sure fan’s mounting is secure. Be sure there are no obstructions to fan’s blade path.
After the first 20 operating hours	Be sure no parts of fan are damaged. Be sure fan’s mounting is secure. Be sure there are no obstructions to fan’s blade path.
After the first 50 operating hours or every week	Be sure no parts of fan are damaged. Be sure fan’s mounting is secure. Be sure there are no obstructions to fan’s blade path. Blade residue may be cleaned by wiping with moist cloth.

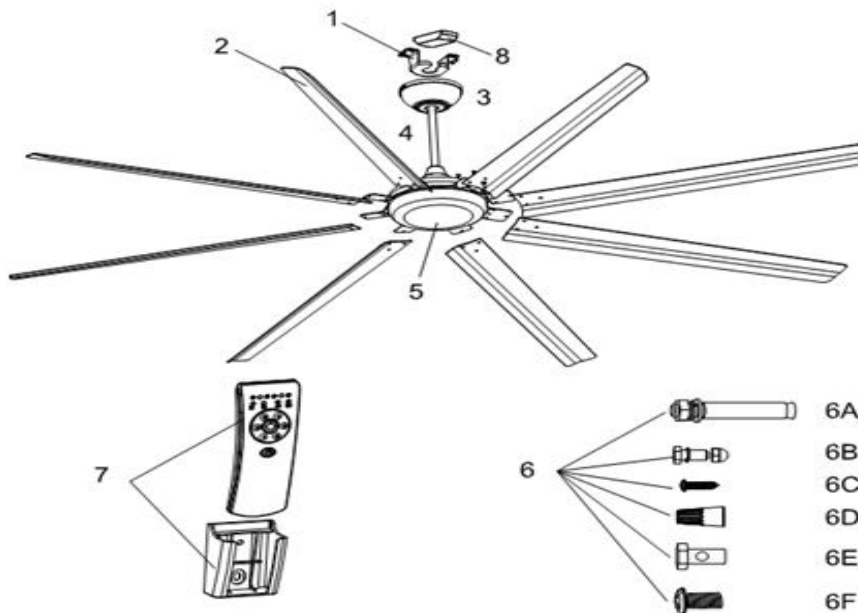
Troubleshooting

⚠WARNING

- Turn off fan and breaker at electrical source before attempting to do any adjustments to the fan.

Failure	Possible Cause	Corrective Action
Fan wobbles in motion.	Blades not secured or balanced.	UNPLUG from power source. a. Check and re-secure screws that connect the blades to the motor. b. Interchange two adjacent (side by side) blades to redistribute the weight for smoother operation. Do not operate fan without blades attached.
	Be sure the ball to the hanger bracket is locked in place.	Remove canopy and adjust ball in hanger bracket.
Fan does not start.	Not connected or no power supply.	Check main and branch fuses or circuit breakers.
		Check wire connections as performed in installation section. Make sure main power is turned off.
		See that that the Receiver Antenna is exposed outside the canopy
		If the fan still will not start, contact a qualified electrician.
Fan makes excessive noise.	Mechanical or electrical interference	Check to make sure all screws in motor housing are snug.
		Check to make sure screws which attach fan blades to the motor are tight.
		Some fans are sensitive to signals from solid-state variable speed controls.
		DO NOT USE a solid-state variable speed control.

Parts Diagram



Parts List

Reference	Part Description	Quantity
1	Mounting Bracket	1
2	Blade	8
3	Canopy	1
4	Down Rod	1
5	Fan Motor	1
6	Hardware Pack	1
6A	Mounting Screw and Nut	4
6B	Blade Screw and Nut	32
6C	Wall Bracket Screw	2
6D	Wire Nut	3
6E	Safety Wire Nut	1
6F	Safety Wire Screw	1
7	Remote Control with Wall Bracket	1
8	Remote Controller Receiver	1

Replacement Parts

- For replacement parts and technical questions, please call Customer Service at **1-800-222-5381**.
- Not all product components are available for replacement. The illustrations provided are a convenient reference to the location and position of parts in the assembly sequence.
- When ordering parts, the following information will be required: item description, item model number, item serial number/item lot date code, and the replacement part reference number.
- The distributor reserves the rights to make design changes and improvements to product lines and manuals without notice.

Limited Warranty

Northern Tool and Equipment Company, Inc. ("We" or "Us") warrants to the original purchaser only ("You" or "Your") that the Bannon product purchased will be free from material defects in both materials and workmanship, normal wear and tear excepted, for a period of **two years** from date of purchase. The foregoing warranty is valid only if the installation and use of the product is strictly in accordance with product instructions. There are no other warranties, express or implied, including the warranty of merchantability or fitness for a particular purpose. If the product does not comply with this limited warranty, Your sole and exclusive remedy is that We will, at our sole option and within a commercially reasonable time, either replace the product or product component without charge to You or refund the purchase price (less shipping). This limited warranty is not transferable.

Limitations on the Warranty

This limited warranty does not cover: (a) normal wear and tear; (b) damage through abuse, neglect, misuse, or as a result of any accident or in any other manner; (c) damage from misapplication, overloading, or improper installation; (d) improper maintenance and repair; and (e) product alteration in any manner by anyone other than Us, with the sole exception of alterations made pursuant to product instructions and in a workmanlike manner.

Obligations of Purchaser

You must retain Your product purchase receipt to verify date of purchase and that You are the original purchaser. To make a warranty claim, contact Us at 1-800-222-5381, identify the product by make and model number, and follow the claim instructions that will be provided. The product and the purchase receipt must be provided to Us in order to process Your warranty claim. Any returned product that is replaced or refunded by Us becomes our property. You will be responsible for return shipping costs or costs related to Your return visit to a retail store.

Remedy Limits

Product replacement or a refund of the purchase price is Your sole remedy under this limited warranty or any other warranty related to the product. We shall not be liable for: service or labor charges or damage to Your property incurred in removing or replacing the product; any damages, including, without limitation, damages to tangible personal property or personal injury, related to Your improper use, installation, or maintenance of the product or product component; or any indirect, incidental or consequential damages of any kind for any reason.

Assumption of Risk

You acknowledge and agree that any use of the product for any purpose other than the specified use(s) stated in the product instructions is at Your own risk.

Governing Law

This limited warranty gives You specific legal rights, and You also may have other rights which vary from state to state. Some states do not allow limitations or exclusions on implied warranties or incidental or consequential damages, so the above limitations may not apply to You. This limited warranty is governed by the laws of the State of Minnesota, without regard to rules pertaining to conflicts of law. The state courts located in Dakota County, Minnesota shall have exclusive jurisdiction for any disputes relating to this warranty.

BANNON

Distributed by:

Northern Tool & Equipment Company, Inc.

Burnsville, Minnesota 55306

www.northerntool.com

Made in China