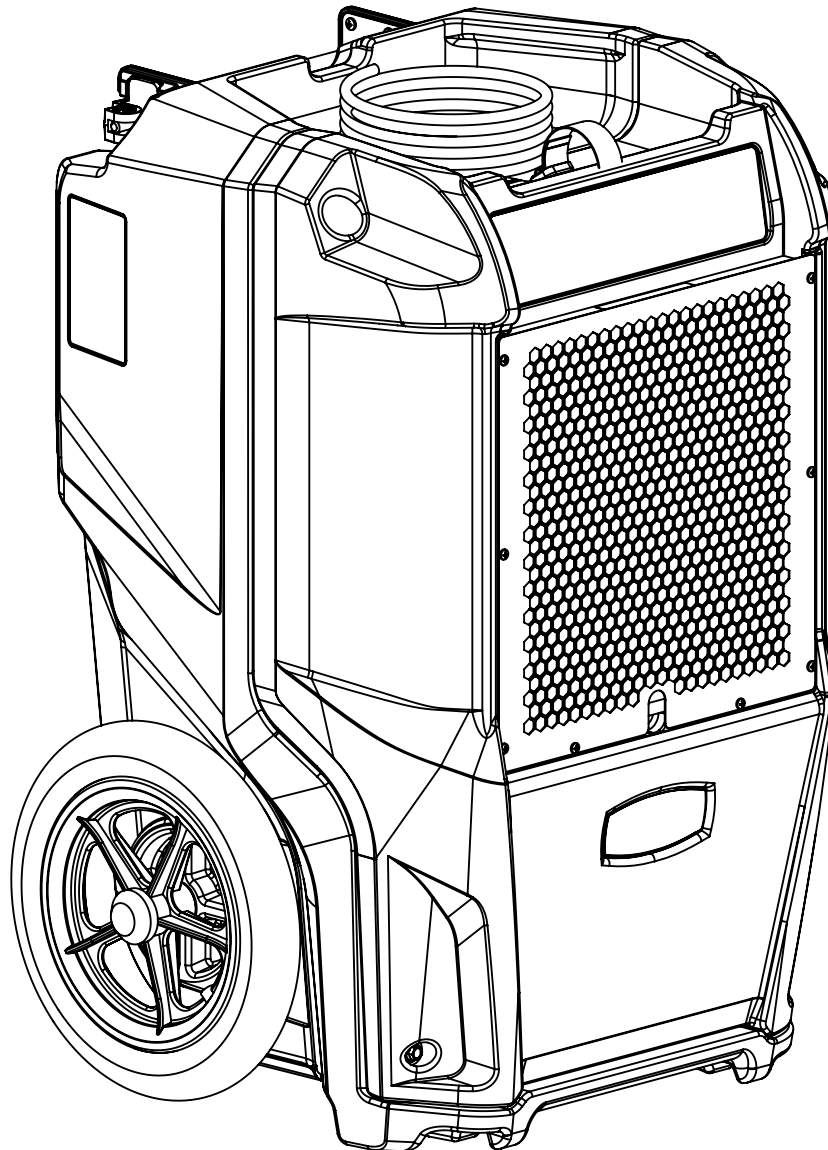


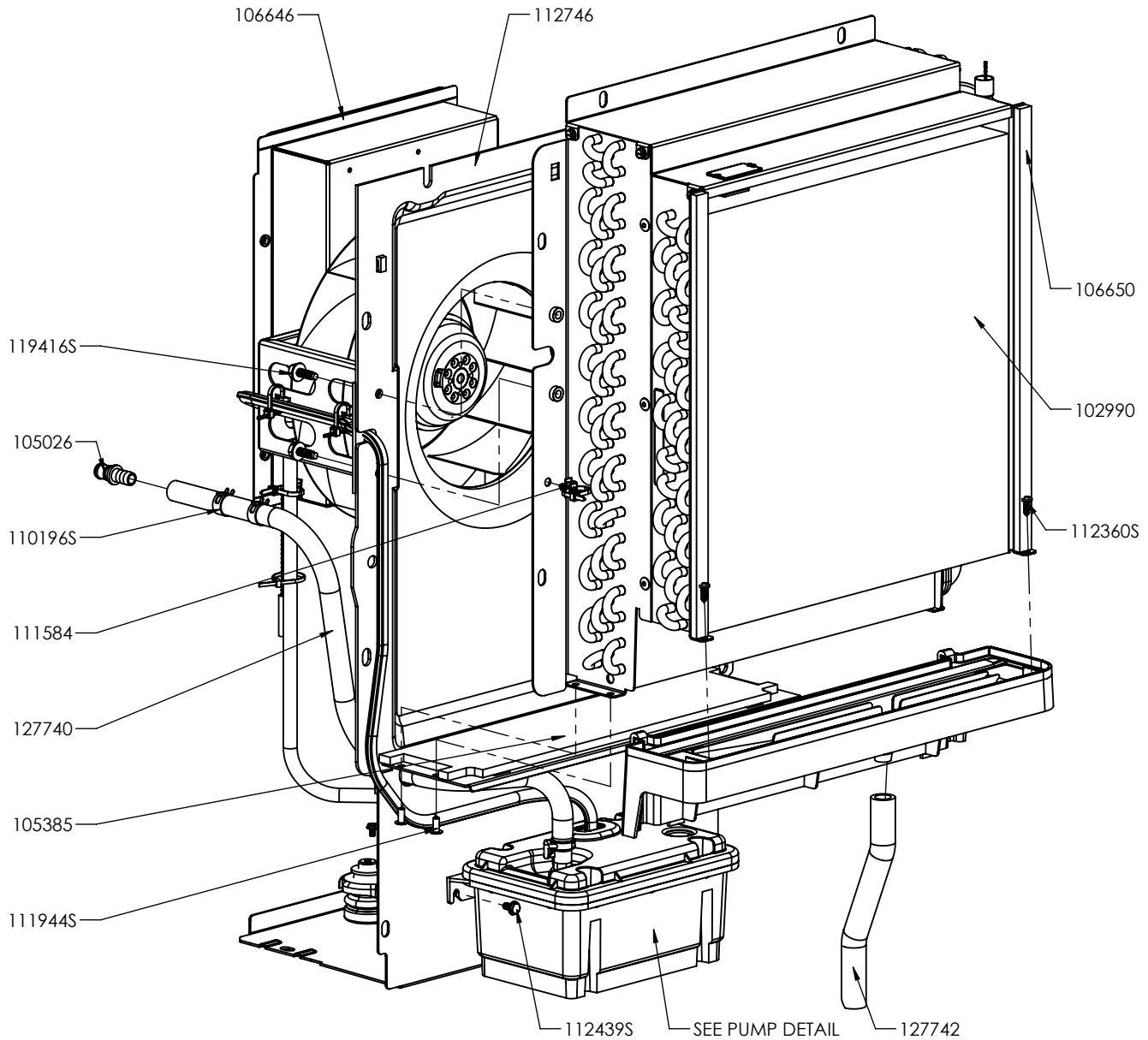
6500 XLI

LOW GRAIN REFRIGERANT DEHUMIDIFIER

MANUFACTURING DATE: 01/2026-PRESENT



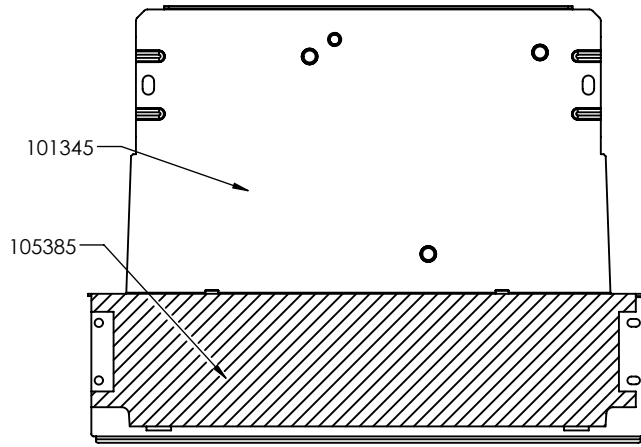
Parts are available through Legend Brands distributors. To locate a distributor near you, visit www.legendbrands.com/how-to-buy/dealer-directory
For technical questions, visit info.LegendBrands.com or email service@legendbrandsrestoration.com



REFRIGERATION MODULE

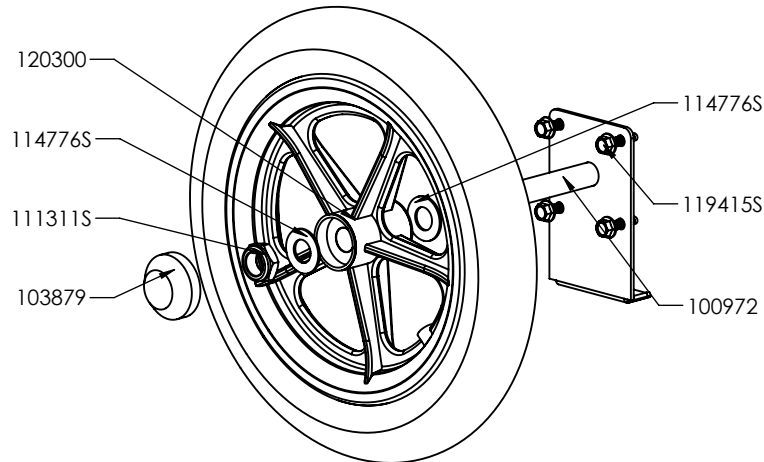
PART NO.	QTY	UNIT	DESCRIPTION
119877	4	IN	TUBE - 1/2 ID X 3/4 OD VINYL
119416S	4	EA	SCREW - M6 X 18MM HWH NYLOC XYP MATPOINT
116346	24	IN	TUBING - 3/8 X 5/8 OD BRAIDED PVC
112746	1	EA	SHROUD - IMPELLER ABS BLK F600
112439S	2	EA	SCREW- #10-24 X 3/8 HWH SER ZP
112360S	2	EA	SCREW - #8 X 1/2 PH TRUSS SS
111994	2	EA	RETAINER, VACUUM SPRING
111584	4	EA	PUSH MOUNT - NYLON TIE
110196S	2	EA	CLAMP - HOSE 5/8 DIA SPRING STL ZP
106650	1	EA	GASKET - 1/2 X 1/2 PVC PSA
106646	65	IN	GASKET - .375 X .125 CLOSED CELL NEOPRENE / VINYL / NITRILE
105385	1	EA	GASKET - CONDENSER BASE PVC PSA LGR 6000LI
105026	1	EA	FITTING - QUICK DISCONNECT INSERT 3/8 BARB (MALE)
102990	1	EA	COIL ASSY - EVAP/COND R410A LGR 6000LI

Parts are available through Legend Brands distributors. To locate a distributor near you, visit Legendbrandsrestoration.com/Dealer-Search
 For technical questions, visit info.LegendBrands.com or email service@legendbrandsrestoration.com



BASE GASKET ASSEMBLY

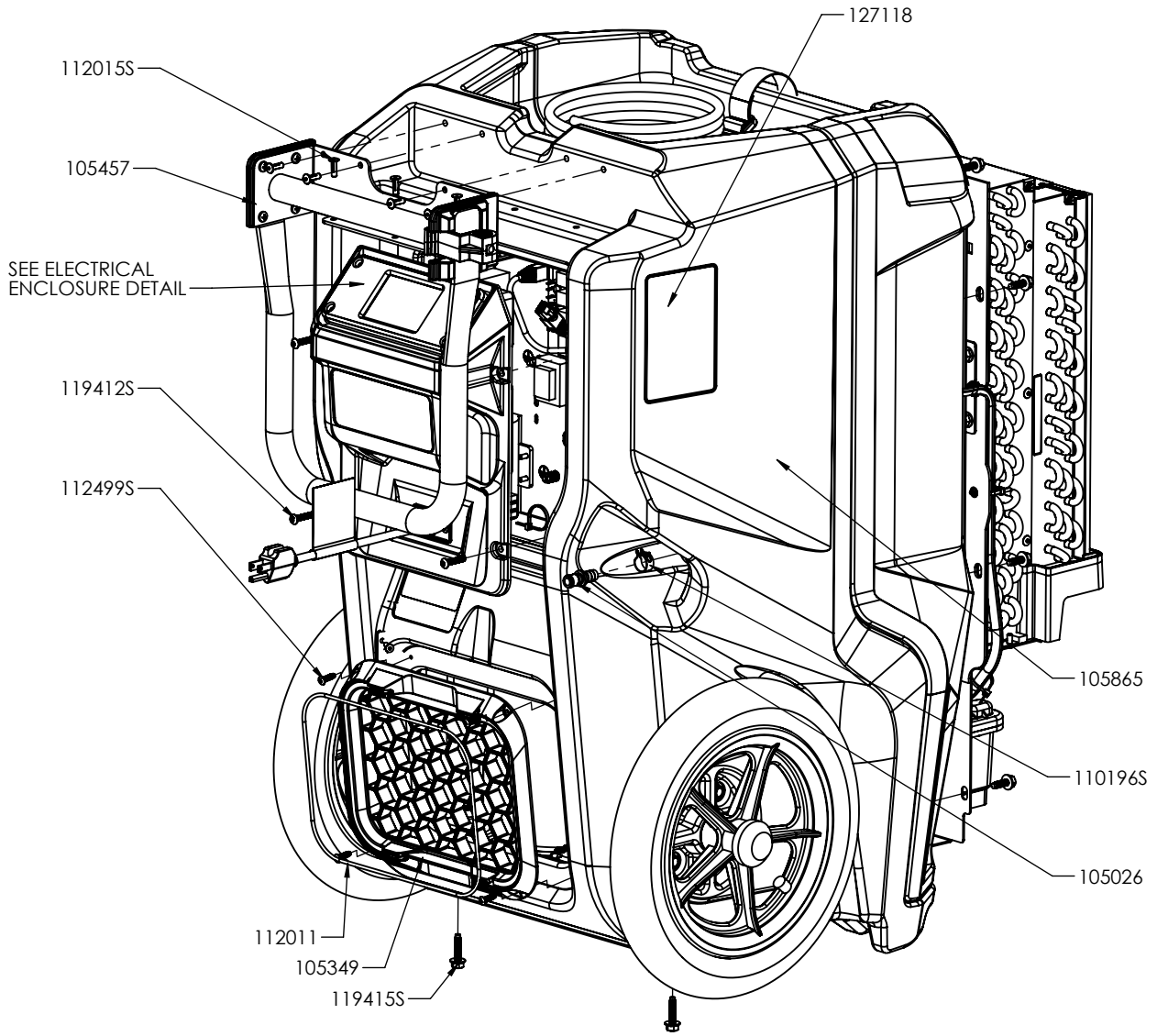
PART NO.	QTY	UNIT	DESCRIPTION
105385	1	EA	GASKET - CONDENSER BASE PVC PSA LGR 6000LI
101345	1	EA	BASE - GALV STL LGR 6000LI



AXEL ASSEMBLY

PART NO.	QTY	UNIT	DESCRIPTION
120300	1	EA	WHEEL - 12 X 2 X 5/8 BORE GRY
119415S	4	EA	SCREW - M6 X 1.0 X 25MM HWH NYLOC MATPOINT XYP BLK
114776S	2	EA	WASHER - 5/8 AN .640 ID X 1.187 OD X .06 SS
111311S	1	EA	NUT - 5/8-11 UNC THIN ZP
103879	1	EA	DUST CAP - 12 OD WHEEL NYLON BLK
100972	1	EA	AXLE ASSY - STUB .63 OD ZP STL

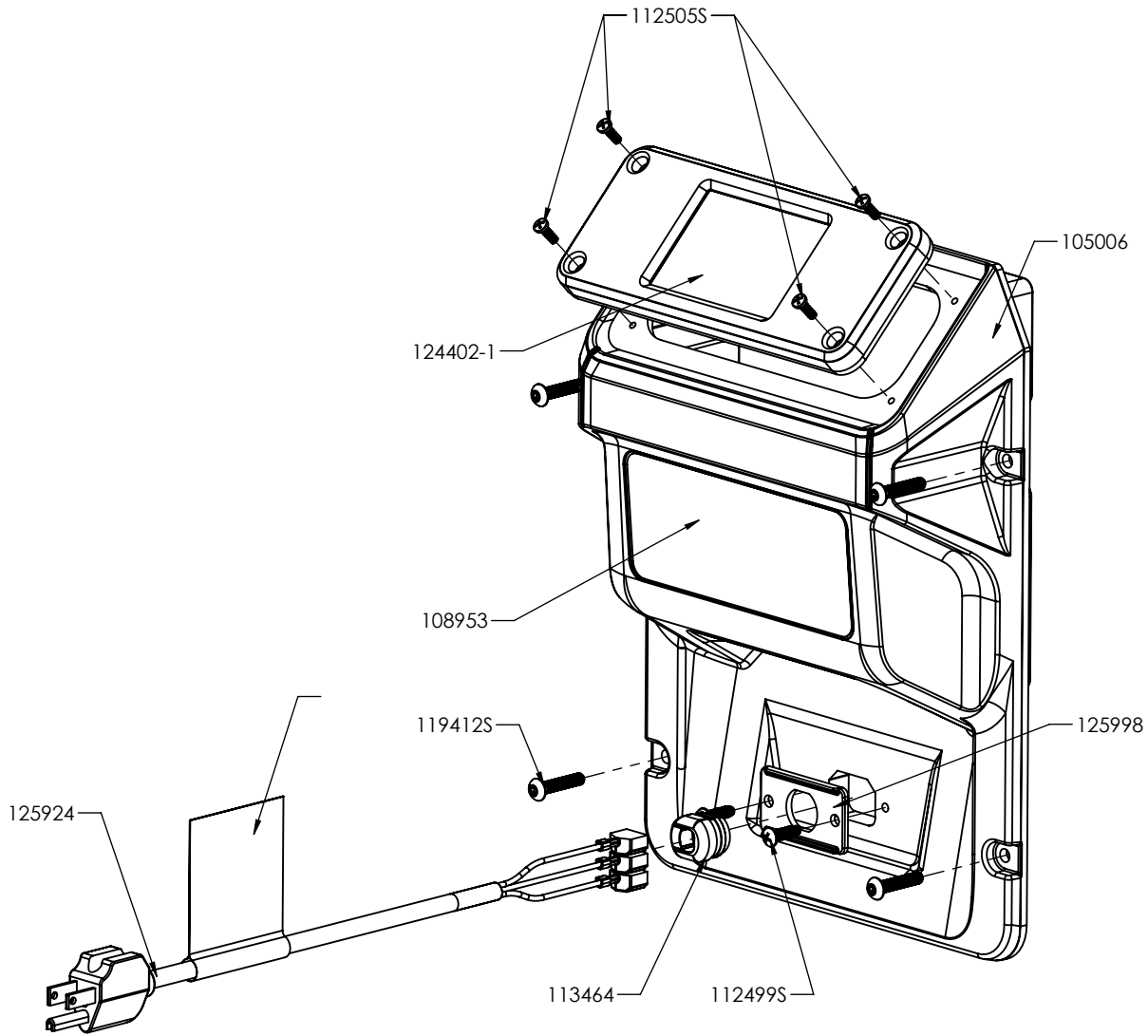
Parts are available through Legend Brands distributors. To locate a distributor near you, visit Legendbrandsrestoration.com/Dealer-Search
 For technical questions, visit info.LegendBrands.com or email service@legendbrandsrestoration.com



BACK PANEL ASSEMBLY

PART NO.	QTY	UNIT	DESCRIPTION
127118	1	EA	LABEL - WARNING LARGE R32 IEC DEHUS
119415S	2	EA	SCREW - M6 X 1.0 X 25MM HWH NYLOC MATPOINT XYP BLK
119412S	4	EA	SCREW - M5 X .08 X 25MM BH TORX ZP BLK
112499S	4	EA	SCREW - #10 X 5/8 HIGH LOW PHP BLK
112015S	7	EA	RIVET - 3/16 X 5/8 TRI FOLD AL/AL
112011	1	EA	RING - DUCT ATTACHMENT ZP LGR 6000LI
110196S	1	EA	CLAMP - HOSE 5/8 DIA SPRING STL ZP
105865	1	EA	BACK PANEL - POLYETHYLENE
105457	1	EA	HANDLE ASSEMBLY
105349	1	EA	GRILL - OUTLET ABS BLK F600
105026	1	EA	FITTING - QUICK DISCONNECT INSERT 3/8 BARB (MALE)

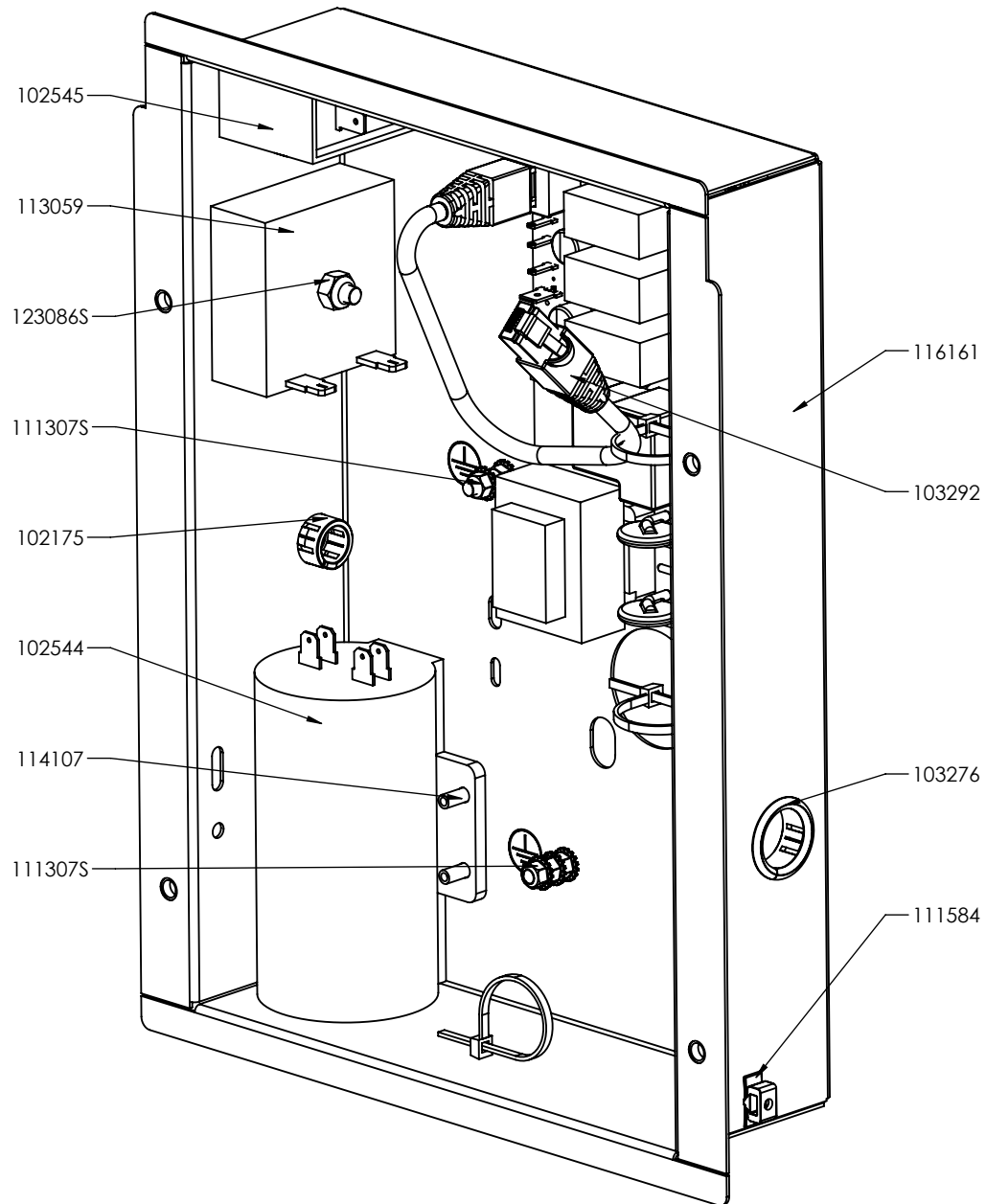
Parts are available through Legend Brands distributors. To locate a distributor near you, visit Legendbrandsrestoration.com/Dealer-Search
 For technical questions, visit info.LegendBrands.com or email service@legendbrandsrestoration.com



ELECTRICAL ENCLOSURE ASSEMBLY

PART NO.	QTY	UNIT	DESCRIPTION
125998	1	EA	PLATE - HEYCO MOUNT .125 WALL ABS BLK
125924	1	EA	POWER CORD ASSY - 14/3 SJTW 5-15P 4 IN ROJ 25 FT
124402-1	1	EA	KIT - COMMAND HUB
119412S	4	EA	SCREW - M5 X .08 X 25MM BH TORX ZP BLK
117956	1	EA	LABEL - WARNING POWER CORD DEHUS
113464	1	EA	STRAIN RELIEF - .370 DIA X .13 BLK
112505S	4	EA	SCREW - #6 X 1/2 HI LOW PHP ZP BLK
112499S	2	EA	SCREW - #10 X 5/8 HIGH LOW PHP BLK
108953	1	EA	LABEL - OPERATING INSTRUCTIONS DEHUS
105006	1	EA	ENCLOSURE - ELECTRICAL BOX COVER ABS F600

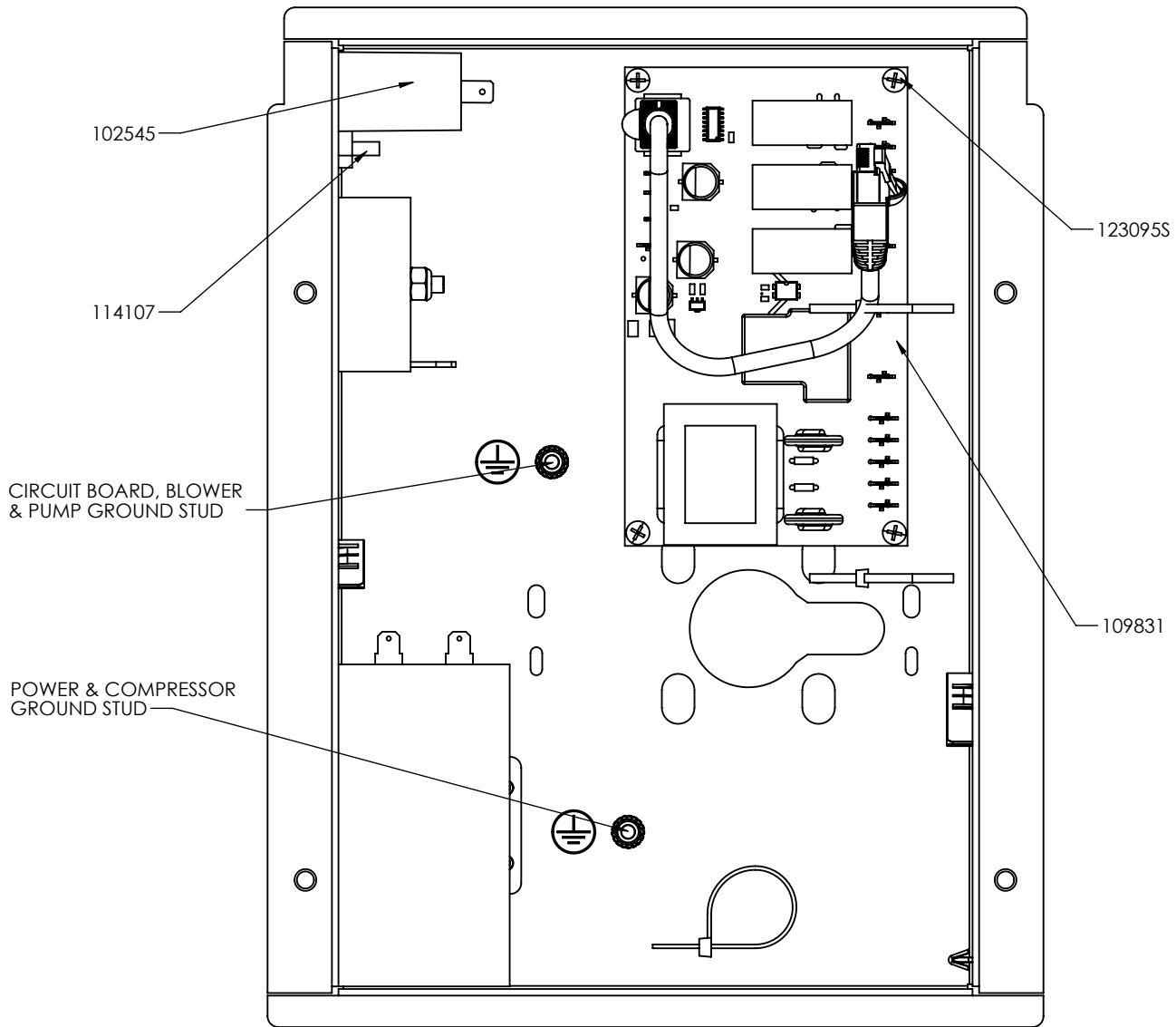
Parts are available through Legend Brands distributors. To locate a distributor near you, visit Legendbrandsrestoration.com/Dealer-Search
 For technical questions, visit info.LegendBrands.com or email service@legendbrandsrestoration.com



ELECTRICAL BOX ASSEMBLY

PART NO.	QTY	UNIT	DESCRIPTION
123086S	1	EA	NUT - #10-24 NYLOC ZP
116161	1	EA	ELECTRICAL BOX - GALV STL LGR 6000LI
114107	2	EA	RIVET - 5/32 X 3/8 AL/AL BLK ANOD
113059	1	EA	SPEED CONTROLLER - 120V 50/60 HZ LGR 6000LI
111584	1	EA	PUSH MOUNT - NYLON TIE
111307S	5	EA	NUT - #8-32 W/STAR WASHER ZP
103292	1	EA	CABLE ASSY - BLUE PATCH CAT 5E 1FT
103276	1	EA	BUSHING - .671 ID X.875 X.41 SPLIT NYLON BLK
102545	1	EA	CAPACITOR - 6MFD 440V (REVOLUTION)
102544	1	EA	CAPACITOR - 55MFD 370V 2.0 DIA ROUND W/MTG BRKT
102175	1	EA	BUSHING - .390 ID X .562 X .406 SPLIT NYLON BLK

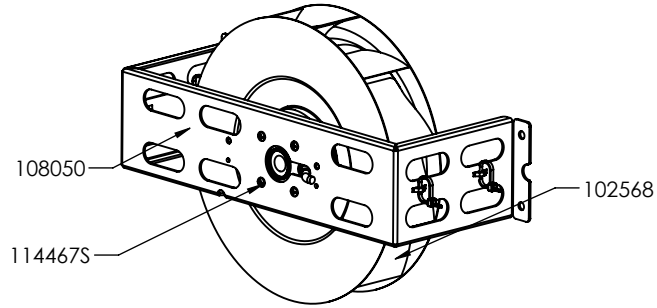
Parts are available through Legend Brands distributors. To locate a distributor near you, visit Legendbrandsrestoration.com/Dealer-Search
 For technical questions, visit info.LegendBrands.com or email service@legendbrandsrestoration.com



CIRCUIT BOARD ASSEMBLY

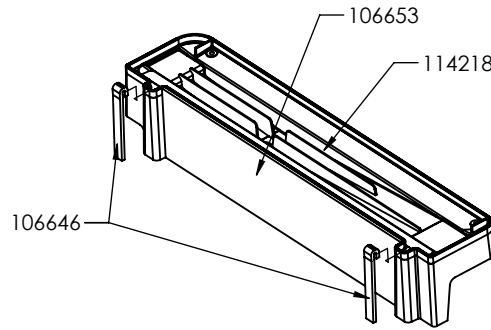
PART NO.	QTY	UNIT	DESCRIPTION
123095S	4	EA	SCREW - #6-32 X 3/8 PHIL PH ZP
114107	1	EA	RIVET - 5/32 X 3/8 AL/AL BLK ANOD
109831	1	EA	CIRCUIT BOARD ASSY - 115V HIGH VOLTAGE 2 SP
102545	1	EA	CAPACITOR - 6MFD 440V (REVOLUTION)

Parts are available through Legend Brands distributors. To locate a distributor near you, visit Legendbrandsrestoration.com/Dealer-Search
 For technical questions, visit info.LegendBrands.com or email service@legendbrandsrestoration.com



BLOWER ASSEMBLY

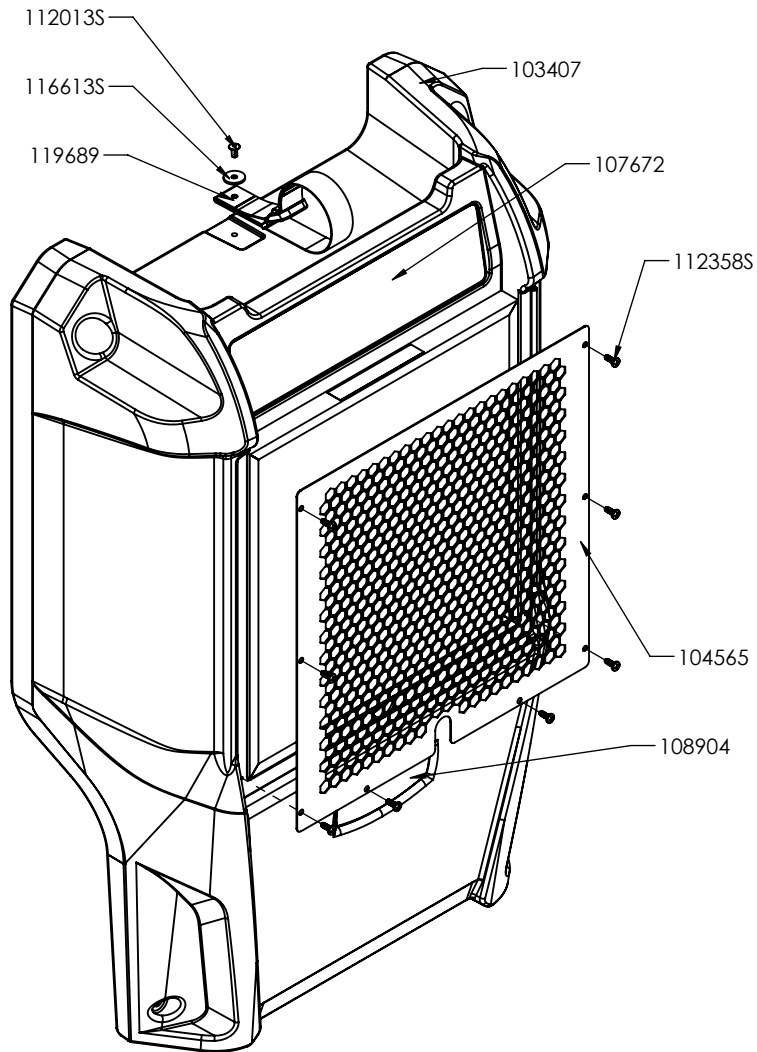
PART NO.	QTY	UNIT	DESCRIPTION
114467S	4	EA	SCREW - M4 X 8MM PHP NYLOC ZP
108050	1	EA	BRACKET - MOTORIZED IMPELLER 250MM LGR 6000LI
102568	1	EA	BLOWER ASSY - MOTORIZED IMPELLER 115V 65W 1650 RPM 250MM



CONDENSATE TRAY ASSEMBLY

PART NO.	QTY	UNIT	DESCRIPTION
114218	1	EA	TRAY - CONDENSATE ABS BLK F600
106653	1	EA	GASKET - CONDENSATE TRAY LGR 6000LI
106646	0.542	FT	GASKET - .375 X .125 CLOSED CELL NEOPRENE / VINYL / NITRILE

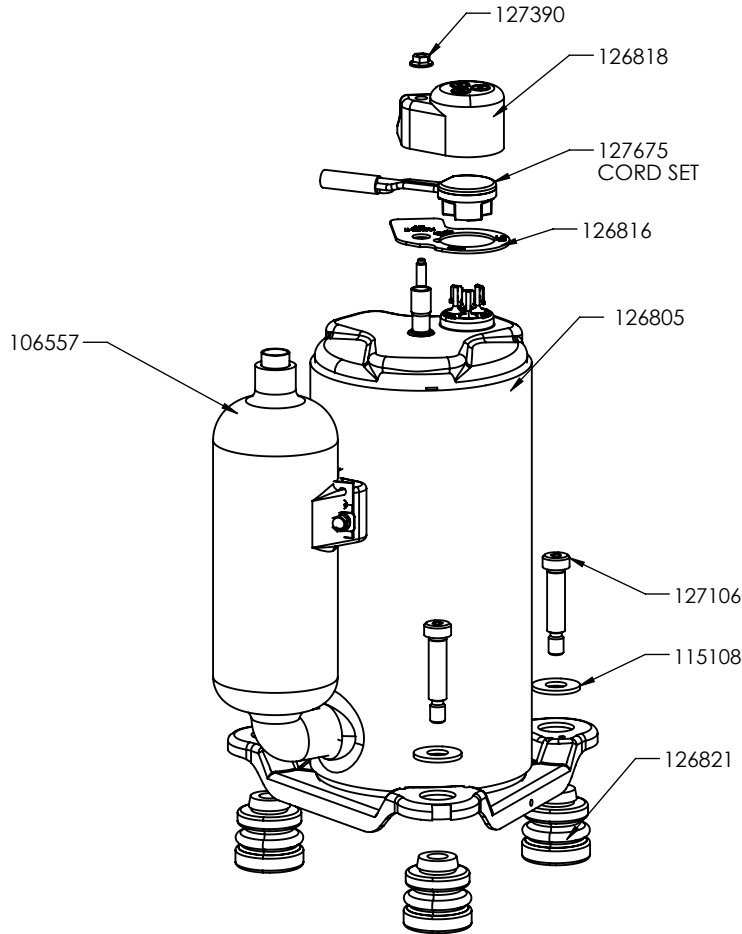
Parts are available through Legend Brands distributors. To locate a distributor near you, visit Legendbrandsrestoration.com/Dealer-Search
 For technical questions, visit info.LegendBrands.com or email service@legendbrandsrestoration.com



COVER ASSEMBLY

PART NO.	QTY	UNIT	DESCRIPTION
119689	1	EA	STRAP ASSEMBLY
116613S	1	EA	WASHER - FLAT #10 TYPE B WIDE
112358S	8	EA	SCREW - #8 X 1/2 PHP ZP BLK
112013S	1	EA	RIVET - 3/16 X 3/8 TRI FOLD AL/AL
108904	1	EA	LABEL - BADGE
107672	1	EA	LABEL - PRODUCT SYCLONE XL (QR)
104565	1	EA	FILTER SHROUD - PC WR BLK LGR 6000LI
103407	1	EA	COVER - POLYETHYLENE FISHER BLU

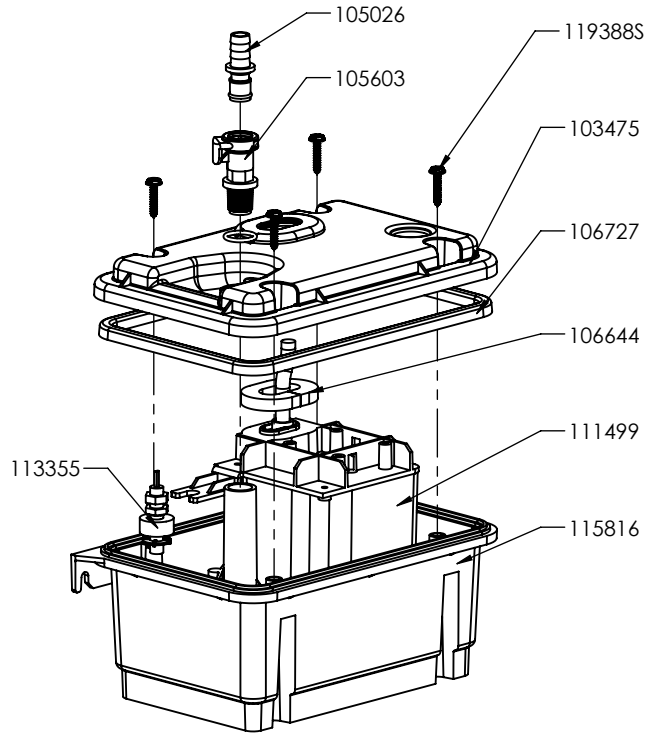
Parts are available through Legend Brands distributors. To locate a distributor near you, visit Legendbrandsrestoration.com/Dealer-Search
 For technical questions, visit info.LegendBrands.com or email service@legendbrandsrestoration.com



COMPRESSOR ASSEMBLY

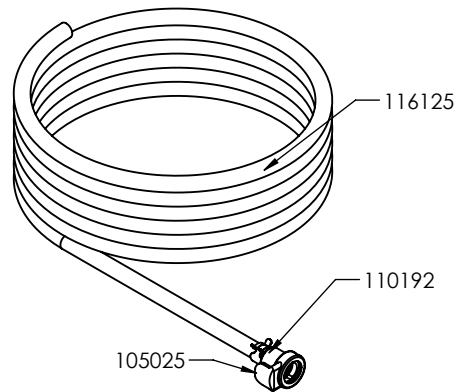
PART NO.	QTY	UNIT	DESCRIPTION
127675	1	EA	CORD ASSY – COMPRESSOR TERMINAL PLUG
127390	1	EA	NUT - SERRATED COMPRESSOR TERMINAL COVER RECHI
127106	3	EA	BOLT - SHOULDER 5/16-18 X 3/8 X 1.38
126821	3	EA	GROMMET - COMPRESSOR VIBRATION MOUNT RECHI 06
126818	1	EA	COVER - COMPRESSOR TERMINAL RECHI
126816	1	EA	GASKET - COMPRESSOR TERMINAL RUBBER RECHI
126805	1	EA	COMPRESSOR RECHI - ROTARY 115V 10615 BTU R32
115108	3	EA	WASHER - 3/8 USS .43 ID X 1.00 OD X .08 ZP
106557	41	IN	COMPRESSOR - ROTARY 115V LG 10150 R410A

Parts are available through Legend Brands distributors. To locate a distributor near you, visit Legendbrandsrestoration.com/Dealer-Search
 For technical questions, visit info.LegendBrands.com or email service@legendbrandsrestoration.com



PUMP ASSEMBLY

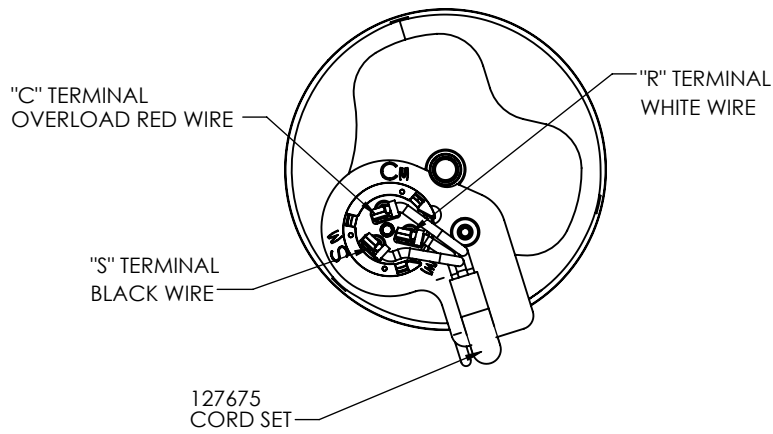
PART NO.	QTY	UNIT	DESCRIPTION
119388S	4	EA	SCREW - #6 X 3/4 SLT HWH SS
115816	1	EA	TANK - SUBMERSIBLE PUMP F600
113355	1	EA	SWITCH - SPLIT MAGNETIC FLOAT
111499	1	EA	PUMP - SUBMERSIBLE 115V 1.3 GPM 4FT CORD
106727	1	EA	GASKET - PUMP COVER SEAL EPDM
106644	1	EA	GASKET - PUMP CORD SEAL NEOP/EPDM PSA
105603	1	EA	FITTING - QUICK DISCONNECT BODY AND CHECK VALVE SUBMERSIBLE
105026	1	EA	FITTING - QUICK DISCONNECT INSERT 3/8 BARB (MALE)
103475	1	EA	COVER - TANK SUBMERSIBLE PUMP F600



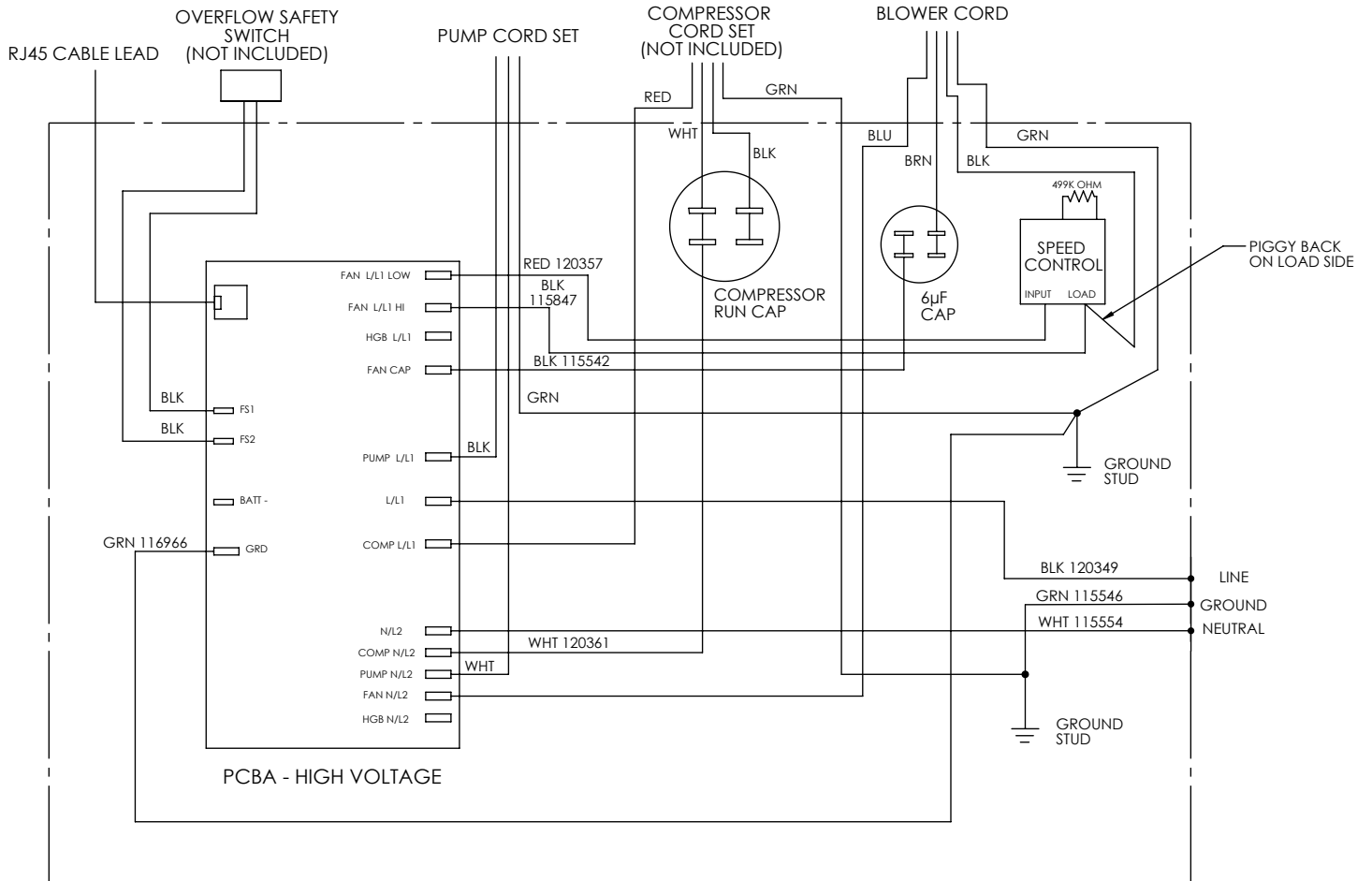
HOSE ASSEMBLY

PART NO.	QTY	UNIT	DESCRIPTION
116125	1	EA	TUBE - 1/4 ID X 3/8 OD X 40FT VINYL
110192	1	EA	CLAMP - 3/8 ID HOSE GRN
105025	1	EA	FITTING - QUICK DISCONNECT BODY 1/4 BARB (FEMALE)

Parts are available through Legend Brands distributors. To locate a distributor near you, visit Legendbrandsrestoration.com/Dealer-Search
 For technical questions, visit info.LegendBrands.com or email service@legendbrandsrestoration.com



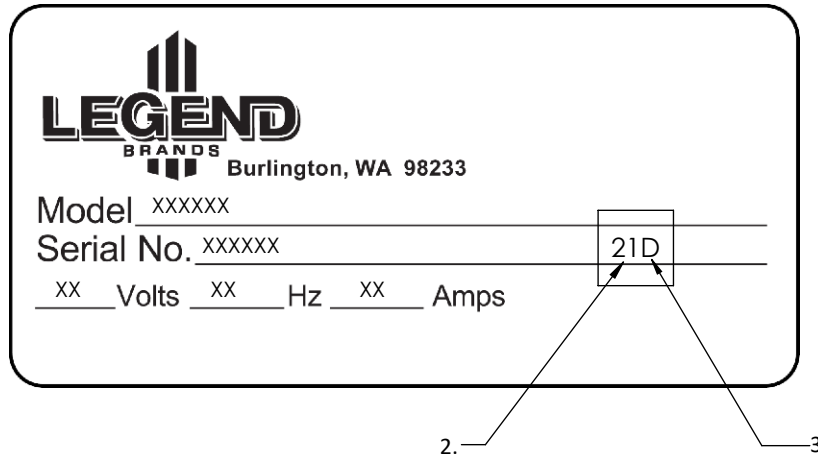
COMPRESSOR WIRING DETAIL



WIRING SCHEMATIC

Parts are available through Legend Brands distributors. To locate a distributor near you, visit Legendbrandsrestoration.com/Dealer-Search
 For technical questions, visit info.LegendBrands.com or email service@legendbrandsrestoration.com

DATE CODE LEGEND



1. THE DATE CODE CAN BE FOUND ON THE RIGHT SIDE OF THE SERIAL NUMBER LINE
2. THE FIRST PORTION OF THE DATE CODE REPRESENTS THE LAST TWO DIGITS OF THE YEAR IN WHICH THE PRODUCT WAS MANUFACTURED
3. THE SECOND PORTION OF THE DATE CODE REPRESENTS THE MONTH IN WHICH THE PRODUCT WAS MANUFACTURED. THE MONTHS ARE REPRESENTED BY LETTERS OUTLINED IN THE TABLE BELOW.

LETTER	MONTH
A	JANUARY
B	FEBRUARY
C	MARCH
D	APRIL
E	MAY
F	JUNE
G	JULY
H	AUGUST
I	SEPTEMBER
J	OCTOBER
K	NOVEMBER
L	DECEMBER

NOTE:
 SERIAL LABEL DETAILS (I.E. BRANDING, SPECIFICATIONS, ETC.) ARE SUBJECT TO CHANGE BASED ON THE PRODUCT