

Oil Lubricated Screw Air Compressor



RSa4-11i & RSa5.5-11n



Product Parts Information



Save These Instructions



Edition E
March 2026
CCN 47900103

Only allow **Ingersoll Rand** trained Technicians to perform maintenance on this product. For additional information contact **Ingersoll Rand** factory or nearest Distributor.

The use of other than genuine **Ingersoll Rand** replacement parts may result in safety hazards, decreased performance and increased maintenance and may invalidate all warranties.

Refer all communications to the nearest **Ingersoll Rand** Office or Distributor.

Table of Contents

PARTS ORDERING INFORMATION	5
RETURN GOODS POLICY	5
DISPOSAL	5
ABOUT THIS MANUAL	6
ABBREVIATION	7
RECOMMENDED PARTS	8
ENCLOSURE ASSEMBLY.....	12
ENCLOSURE ASSEMBLY.....	14
MOTOR ASSEMBLY (IR58X).....	16
MOTOR ASSEMBLY (IR76X).....	18
AIREND ASSEMBLY (IR58X).....	20
AIREND ASSEMBLY (IR76X).....	22
BELT DRIVE ASSEMBLY (IR58X).....	24
BELT DRIVE ASSEMBLY (IR76X).....	26
AIR/OIL SEPARATOR ASSEMBLY (IR58X)	28
AIR/OIL SEPARATOR ASSEMBLY (IR76X)	30
BASE ASSEMBLY	32
RECEIVER ASSEMBLY.....	34
COOLER ASSEMBLY (4/5.5KW).....	36
COOLER ASSEMBLY (7.5/11KW)	38
INTEGRATED DRYER ASSEMBLY	40
INTEGRATED DRYER ASSEMBLY	42
AIR PIPING (NON-TAS SIDE DISCHARGE, 4/5.5KW)	44
AIR PIPING (NON-TAS SIDE DISCHARGE, 7.5/11KW)	46
AIR PIPING (NON-TAS TOP DISCHARGE, 4/5.5KW)	48
AIR PIPING (NON-TAS TOP DISCHARGE, 7.5/11KW).....	50
AIR PIPING (TAS WITH BASE MOUNT, 4–11KW)	52
AIR PIPING (TAS WITH RECEIVER MOUNT, 4–11KW).....	54
MOISTURE SEPARATOR ASSEMBLY	56
SIDE DISCHARGE AND ODM ASSEMBLY	57
TOP DISCHARGE AND ODM ASSEMBLY	58
MANUAL DRAIN ASSEMBLY.....	60
ELECTRONIC DRAIN ASSEMBLY (NON TAS WITH RECEIVER)	62
ELECTRONIC DRAIN ASSEMBLY (TAS WITH RECEIVER)	64
STARTER BOX ASSEMBLY (FS - NEMA 4).....	66

Table of Contents

STARTER BOX ASSEMBLY (FS, 1 PHASE - NEMA 12)	68
STARTER BOX ASSEMBLY (VSD - NEMA 1)	72
STARTER BOX ASSEMBLY (VSD - NEMA 12).....	76
BACK PANEL ASSEMBLY - FS (YD, 7.5–11KW 208/230V, 460V)	80
BACK PANEL ASSEMBLY - FS (YD, 7.5/11KW 575V)	82
BACK PANEL ASSEMBLY - FS (1-PH, 4/5.5/7.5KW 208/230V).....	84
BACK PANEL ASSEMBLY - FS (DOL, 4–5.5KW 208/230V, 460V).....	86
BACK PANEL ASSEMBLY - FS (DOL, 4-5.5KW 575V).....	88
BACK PANEL ASSEMBLY - VSD (5.5–11KW 208/230V, 460V & 4–7.5KW 208/230V	90
BACK PANEL ASSEMBLY - VSD (5.5–11KW, 575V)	92
POWER OUTAGE RESTART OPTION (PORO)	94
LOW AMBIENT KIT (FS)	96
LOW AMBIENT KIT (FS, 208–460V)	98
LOW AMBIENT KIT (FS, 575V).....	100

PARTS ORDERING INFORMATION

These products are designed and constructed to provide long, trouble-free service. In time it may be necessary to order and install new parts to replace those that have been subjected to wear.

For your convenience and future reference it is recommended that the following information be recorded.

Model Number _____

Serial Number _____

Date Purchased _____

When ordering replacement parts, please specify the following:

1. Complete model number and serial number as it appears on the data (name) plate.
2. Part number(s) and part description as shown in this manual.
3. Quantity required.

NOTICE

General Information!

- **Continuing improvement and advancement of design may cause changes to this equipment which are not included in this manual. Manuals are periodically revised to incorporate changes. Always check the manual edition number on the front cover for the latest issue.**
- **Sections of this manual may not apply to your product.**
- **Using other than genuine Ingersoll Rand replacement parts may invalidate the warranty.**

RETURN GOODS POLICY

Ingersoll Rand will not accept any returned goods for warranty or service work unless prior arrangements have been made and written authorization has been provided from the location where the goods were purchased.

Products which have been modified without **Ingersoll Rand** approval, mishandled or misused will not be repaired or replaced under warranty.

DISPOSAL



When the life of the product has expired, it is recommended that it be disassembled, degreased and parts separated as to materials so that they may be recycled.

Refer all communications to the nearest **Ingersoll Rand** Office or Distributor.

ABOUT THIS MANUAL

The purpose of this parts manual is to provide information to identify replacement parts and service kits.

For supporting documentation refer to [Table 1, p. 6](#)

Table 1. Product Documentation

Publication	Product	Part/Document Number by Region
		Americas
Product Safety Information Manual	All	80446313
Product Information Manual	RSa4-11i/n	47900101
Product Maintenance Manual	RSa4-11i/n	47900102
Product Parts Information Manual	RSa4-11i/n	47900103
XS-100 Small Controller Manual	RSa4-11i/n	47925943

Product specification sheets and reference drawings are also available.

ABBREVIATION

STD	Standard machine configuration
FS	Fixed Speed machine configuration
VSD	Variable Speed Drive machine configuration
TAS	Total Air Station machine configuration
AC or A/C	Air-Cooled machine configuration
ODM	Outdoor Modification machine option
MPCV	Minimum Pressure Check Valve
ENLD	Electronic No-Loss Drain valve
CDE	Condensate Drain Error
CDV	Condensate Drain Valve
ASME	American Society of Mechanical Engineers for pressure regulation
EBOX	Electrical Box
YD	Y Delta
DOL	Direct On Line
PORO	Power Outage Restart Option
IOT	Internet Of Thing
EL	Extended Life
FLTR	Filter
RCVR MNT	Receiver Mounted
Non TAS	Non Total Air Station
HD	High Dust
HA	High Ambient

RECOMMENDED PARTS

CONSUMABLES	
CCN	DESCRIPTION
88171913	ELEMENT, AIR FILTER
89295976	ELEMENT AIR FILTER
92824598	FILTER OIL ELEMENT
39329602	ELEMENT, OIL FILTER 4 IN DIA
24121212	ELEMENT, SEPARATOR (70 CFM)
47887079001	PAD, PRE-FILTER
ZS1062472	FILTER PAD IP54 PF 22.000 + PFA 20.000
47895908001	FILTER ELEMENT, EBOX VENTILATION
24241952	ELEMENT FC110IG KIT
24241960	ELEMENT FC110IH KIT
24239212	ELEMENT, FILTER-EC65H
24239204	ELEMENT, FILTER-EC65G
38035531	KIT, OIL SAMPLE
92837095	COOLANT, ULTRA 1-LITER
92692284	COOLANT, ULTRA 5-LITERS
38459582	COOLANT, ULTRA 20-LITERS
39433743	COOLANT, ULTRA 208-LITERS
47703841	COOLANT, ULTRA 4K 5-LITERS
47696743	COOLANT, ULTRA 4K 20-LITERS
23973969	COOLANT, ULTRA FOOD GRADE 5-LITERS
23973977	COOLANT, ULTRA FOOD GRADE 20-LITERS
23973985	COOLANT, ULTRA FOOD GRADE 208-LITERS
24061608	COOLANT, ULTRA EL 5-LITERS
24061624	COOLANT, ULTRA EL 15-LITERS
24061640	COOLANT, ULTRA EL 208-LITERS

SERVICE KITS	
CCN	DESCRIPTION
47881911001	KIT, AIREND REPLACEMENT (4-5.5KW)
47881912001	KIT, AIREND REPLACEMENT (7.5-11KW)
47919570001	KIT, INLET FLANGE STD (4-5.5KW)
47918853001	KIT, INLET FLANGE HI—DUST (4-5.5KW)
47918854001	KIT, INLET FLANGE STD (7.5-11KW)
47918855001	KIT, INLET FLANGE HI-DUST (7.5-11KW)
47906463001	KIT, SHAFT SEAL IR58X
47913003001	KIT, SHAFT SEAL IR76X
47918858001	KIT, THERMOSTAT ELEMENT, 70°C (4-5.5KW)
47918859001	KIT, THERMOSTAT ELEMENT, 83°C (4-5.5KW)
47918860001	KIT, THERMOSTAT ELEMENT, 70°C (7.5-11KW)
47918861001	KIT, THERMOSTAT ELEMENT, 55°C (7.5-11KW)

RECOMMENDED PARTS

MAINTENANCE KITS	
CCN	DESCRIPTION
47918754001	KIT - 4K, RSa4-5.5i/n, NEMA-1, STD FLTR
47918755001	KIT - 4K, RSa4-5.5i/n, NEMA-1, HD FLTR
47918756001	KIT - 4K, RSa7-11i/n, NEMA-1, STD FLTR
47918757001	KIT - 4K, RSa7-11i/n, NEMA-1, HD FLTR
47918758001	KIT - 4K, RSa4-5.5i/n, NEMA-12, STD FLTR
47918759001	KIT - 4K, RSa4-5.5i/n, NEMA-12, HD FLTR
47918760001	KIT - 4K, RSa7-11i/n, NEMA-12, STD FLTR
47918761001	KIT - 4K, RSa7-11i/n, NEMA-12, HD FLTR
47918762001	KIT - 4K, RSa4-5.5i/n, FS, NEMA-4, STD FLTR
47918763001	KIT - 4K, RSa4-5.5i/n, FS, NEMA-4, HD FLTR
47918764001	KIT - 4K, RSa7-11i/n, FS, NEMA-4, STD FLTR
47918765001	KIT - 4K, RSa7-11i/n, FS, NEMA-4, HD FLTR
47918766001	KIT - 4K, DRYER FLTR REPLACEMENT FA110IH/IG

FIELD KITS	
CCN	DESCRIPTION
47918862001	KIT - ODM PACKAGE INTAKE, RSa4-11i
47918863001	KIT - ODM PACKAGE EXHAUST, RSa4-11i
47918864001	KIT - ODM EXHAUST HOOD, RSa4-11i
47918865001	KIT - FIELD PORO, RSa4-11
47918866001	KIT - LOW AMBIENT (RCVR MNT-NON TAS) (4-5.5KW)
47918867001	KIT - LOW AMBIENT (BASE MNT-NON TAS) (4-5.5KW)
47918868001	KIT - LOW AMBIENT (BASE MNT WITH MS) (4-5.5KW)
47918869001	KIT - LOW AMBIENT (RCVR MNT-NON TAS) (7.5-11KW)
47918870001	KIT - LOW AMBIENT (BASE MNT-NON TAS) (7.5-11KW)
47918871001	KIT - LOW AMBIENT (BASE MNT WITH MS) (7.5-11KW)

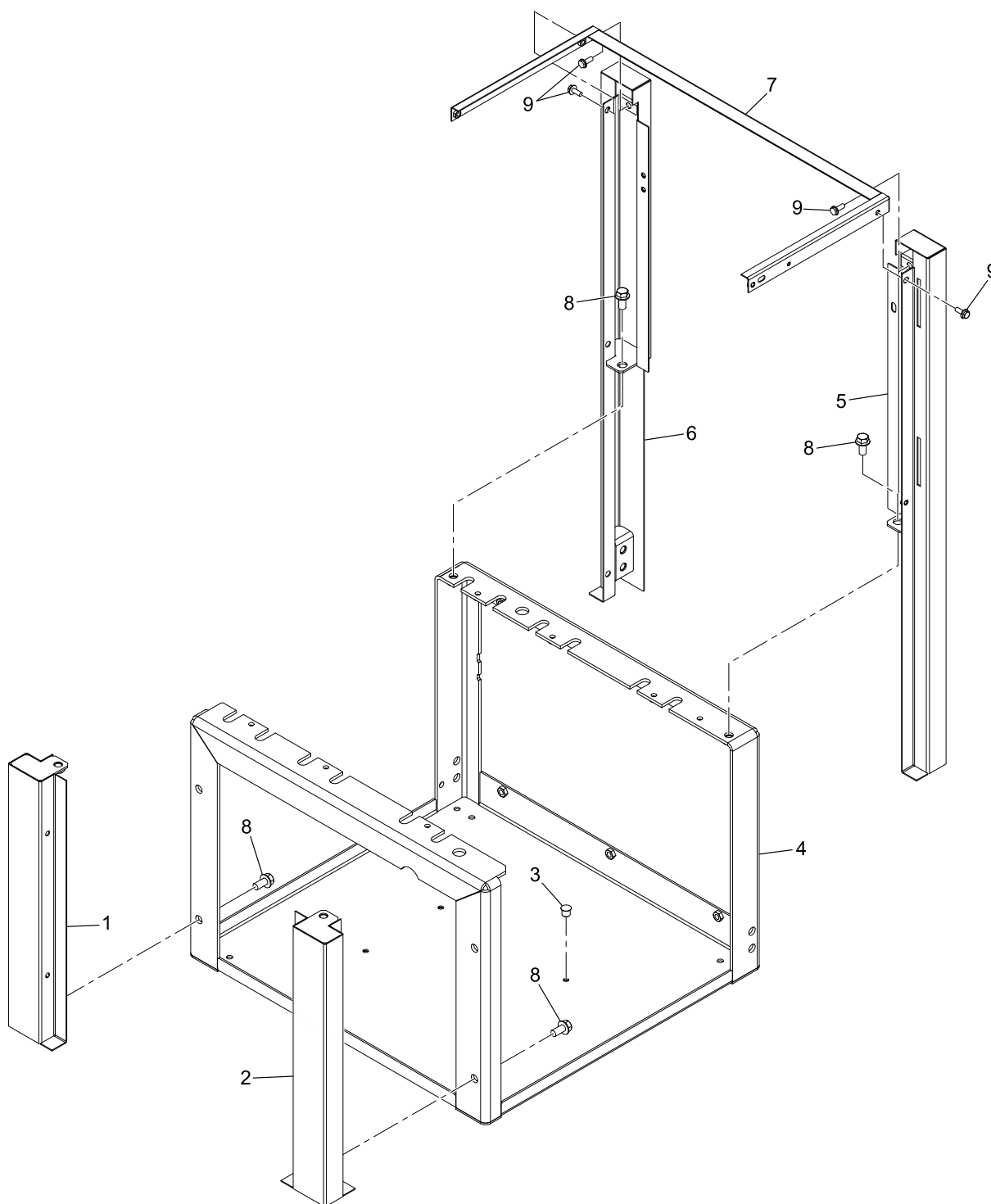
RECOMMENDED PARTS

REPLACEMENT FS & VARIABLE-SPEED DRIVES	
CCN	DESCRIPTION
47826223001	DRIVE - 5.5KW VAR. SPEED, FR3, 208/230V-3PH
47815409001	DRIVE - 7.5KW VAR. SPEED, FR4, 208/230V-3PH
47826077001	DRIVE - 11KW VAR. SPEED, FR4, 208/230V-3PH
47826384001	DRIVE - 5.5KW VAR. SPEED, FR2, 460V-3PH
47826385001	DRIVE - 7.5KW VAR. SPEED, FR2, 460V-3PH
47826362001	DRIVE - 11KW VAR. SPEED, FR3, 460V-3PH
47826387001	DRIVE - 5.5KW VAR. SPEED, FR2, 575V-3PH
47826365001	DRIVE - 7.5KW VAR. SPEED, FR3, 575V-3PH
47826220001	DRIVE - 11KW VAR. SPEED, FR4, 575V-3PH
47916733001	ASSY, 3PH CONVTR, 4KW, 208/230V-1PH
47916735001	ASSY, 3PH CONVTR, 5KW, 208/230V-1PH
47916736001	ASSY, 3PH CONVTR, 7KW, 208/230V-1PH

RECOMMENDED TOOLS	
CCN	DESCRIPTION
47918895001	TOOL - AIR OIL SEP SPINDLE (4-5.5KW)
47918896001	TOOL - AIR OIL SEP SPINDLE (7.5-11KW)
TEN020343	KIT - WEAR SLEEVE PULLER (7.5-11KW)

PAGE INTENTIONALLY LEFT BLANK

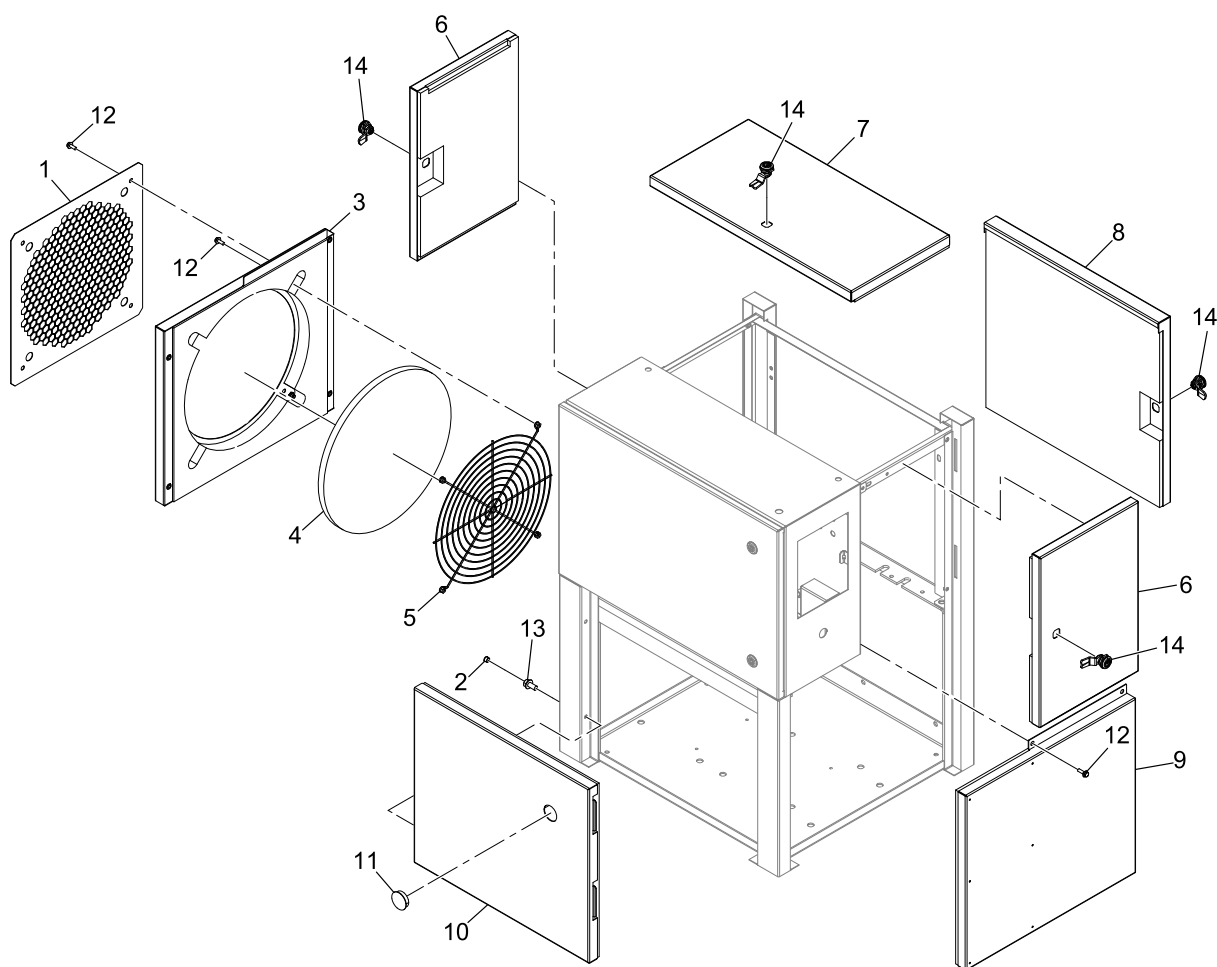
ENCLOSURE ASSEMBLY



ENCLOSURE ASSEMBLY

Item	Part No.	Description	Qty.
1	47835639003	ASSEMBLY, FRONT CORNER POST	1
2	47835640003	ASSEMBLY, FRONT CORNER POST	1
3	SS-01864	HOLE PLUG	4
4	47820495003	ASSEMBLY, BASE	1
5	47857698003	CORNER, REAR RIGHT	1
	47849228003	CORNER, REAR RIGHT (TOP DISCHARGE / TAS / ODM)	1
6	47857703003	CORNER, REAR LEFT	1
	47849229003	CORNER, REAR LEFT (TOP DISCHARGE / TAS / ODM)	1
7	47820503003	ASSEMBLY, BRACKET CONTROL	1
8	96737549	SCREW	10
9	96704531	SCREW	4

ENCLOSURE ASSEMBLY



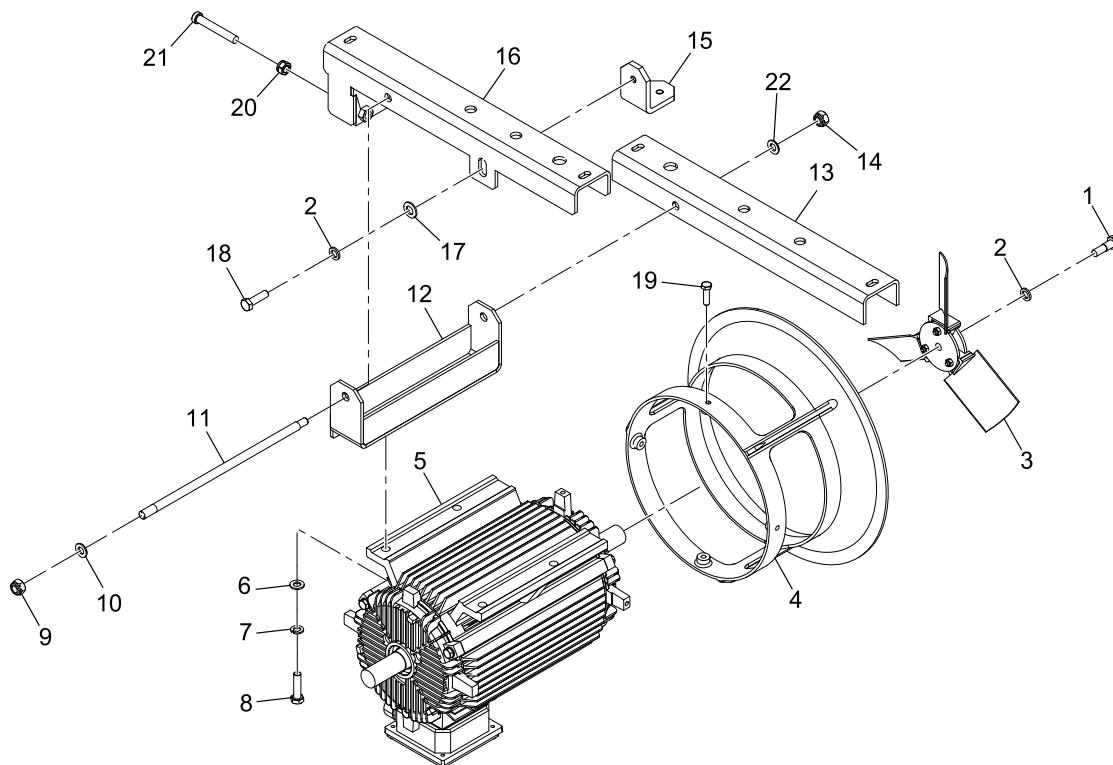
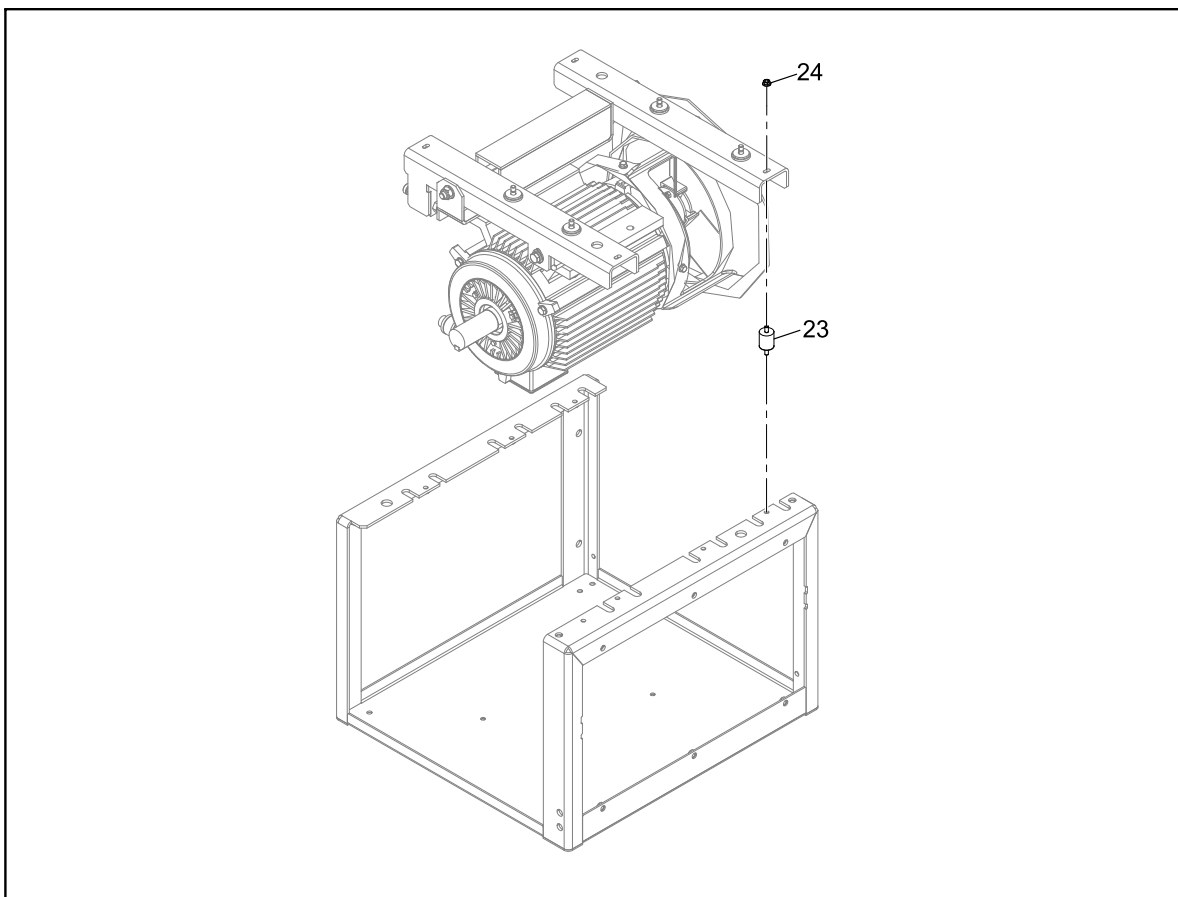
ENCLOSURE ASSEMBLY

Item	Part No.	Description	Qty.
1	47881226003	PANEL, PACKAGE INTAKE	1
2	SS-01867	HOLE PLUG	2
3	47883311003	*ASSEMBLY, BOTTOM SIDE FAN DOOR	1
	47957526003	*ASSEMBLY, BOTTOM SIDE FAN DOOR, HA – 5.5KW Only	1
4	47887079001	PAD	1
5	100003393	FAN SCREEN	1
6	47835778003	*ASSEMBLY, SIDE PANEL DOOR	2
7	47857699003	*ASSEMBLY, TOP DOOR PANEL	1
8	47857695003	*ASSEMBLY, REAR DOOR PANEL	1
9	47835712003	*ASSEMBLY, BOTTOM SIDE	1
10	47835710003	*ASSEMBLY, FRONT DOOR	1
11	A11006974	COVER CAP	1
12	96704531	SCREW	11
13	24718223	SCREW	2
14	23180557	LATCH	2
**	96719190	SCREW	4

**	NOT ILLUSTRATED
----	-----------------

Note: * Includes sound attenuation foam.

MOTOR ASSEMBLY (IR58X)



MOTOR ASSEMBLY (IR58X)

Item	Part No.	Description	Qty.
1	A93049900	SCREW	1
2	A93149520	LOCK.DISK	2
3	VP1143901	FAN WHEEL	1
4	100016192	AIR INTAKE NOZZLE	1
5	See Table 2, p. 17	MOTOR, DRIVE	1
6	A93130100	WASHER	3
7	96712096	WASHER, SPRING LOCK	3
8	96704556	SCREW	3
9	A93121370	NUT	1
10	92329341	WASHER	1
11	47820507001	AXLE	1
12	See Table 3, p. 17	BRACKET	1
13	See Table 3, p. 17	SUPPORT BRACKET	1
14	A93121360	NUT	1
15	See Table 3, p. 17	BRACKET	1
16	See Table 3, p. 17	SUPPORT BRACKET	1
17	A93130110	DISK	1
18	95001-285	SCREW	1
19	96728571	BOLT	4
20	MN112	NUT	1
21	A93040565	SCREW	1
22	96701404	WASHER	1
23	47894485001	ISOLATOR	4
24	96752589	NUT	4

Table 2. Alternate Parts

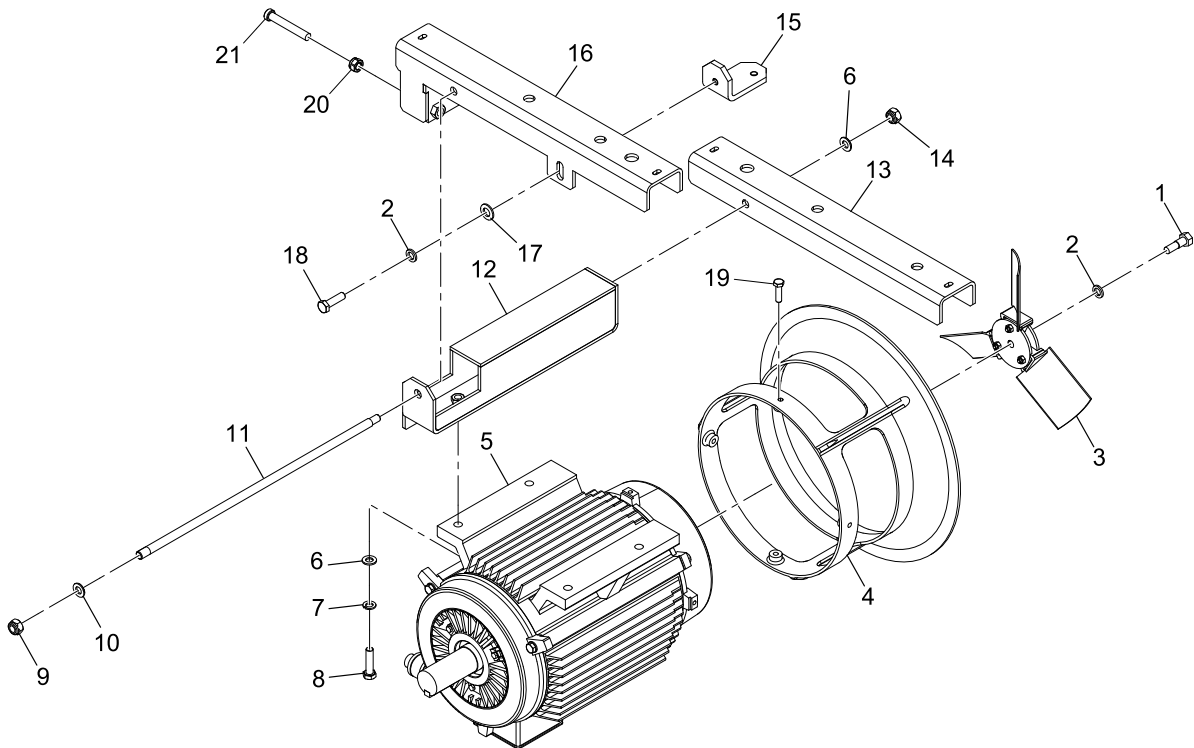
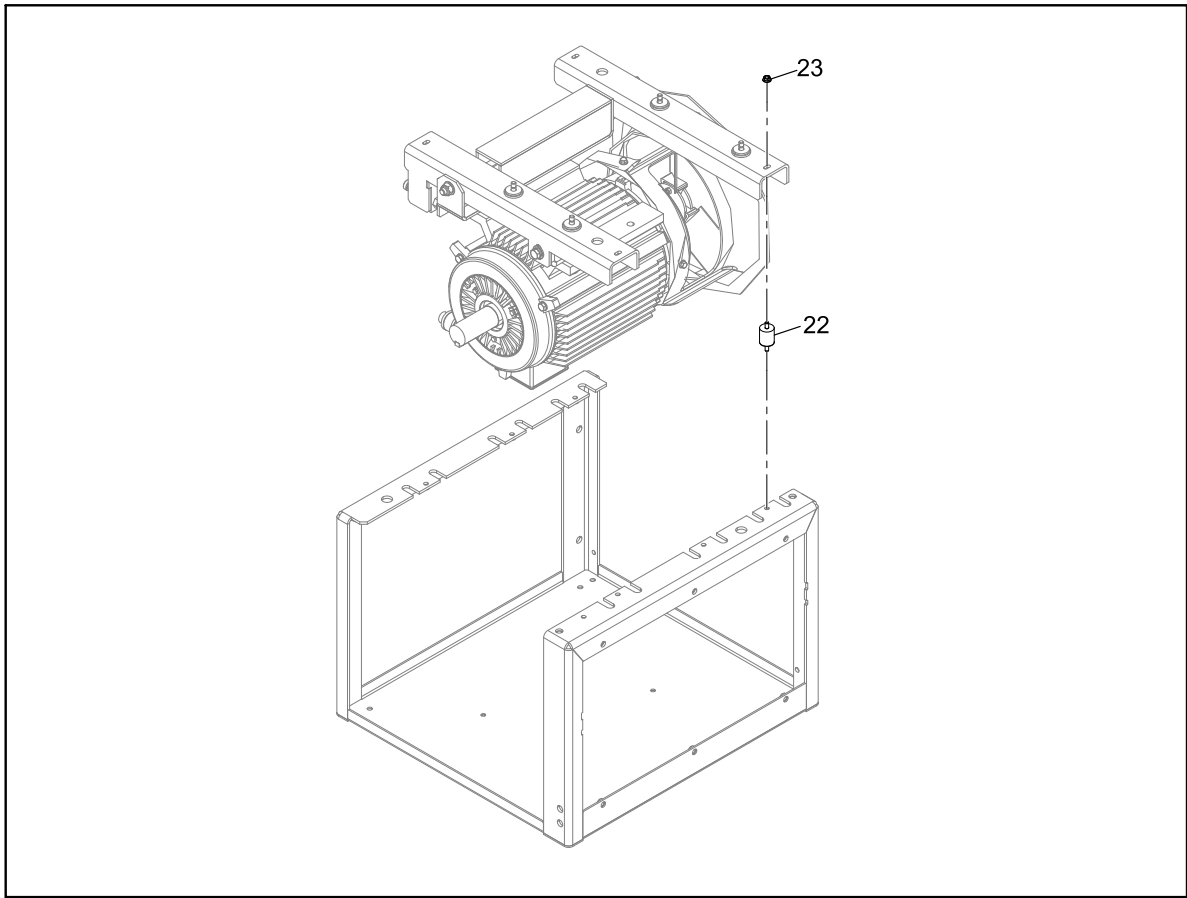
Application	Motor, Drive (#5)
4kW (5.5HP), 208/230 & 460V, 60HZ	47880560003
4kW (5.5HP), 575V, 60HZ	47880562003
5.5kW (7.5HP), 208/230V & 460V, 60HZ	47880563003
5.5kW (7.5HP), 575V, 60HZ	47880565003
*7.5kW (10HP), 208/230V & 460V, 60HZ, High Ambient	47880570003
*7.5kW (10HP), 575V, 60HZ, High Ambient	47880567003

* Applicable to 5.5kW High Ambient Option

Table 3. Alternate Parts

Application	Bracket (#12)	Support, Bracket (#13)	Bracket (#15)	Support, Bracket (#16)
Standard	47820506003	47821733003	47820508001	47821732003
High Ambient Option (5.5KW Only)	47957416003	47957419003	47957417001	47957418003

MOTOR ASSEMBLY (IR76X)



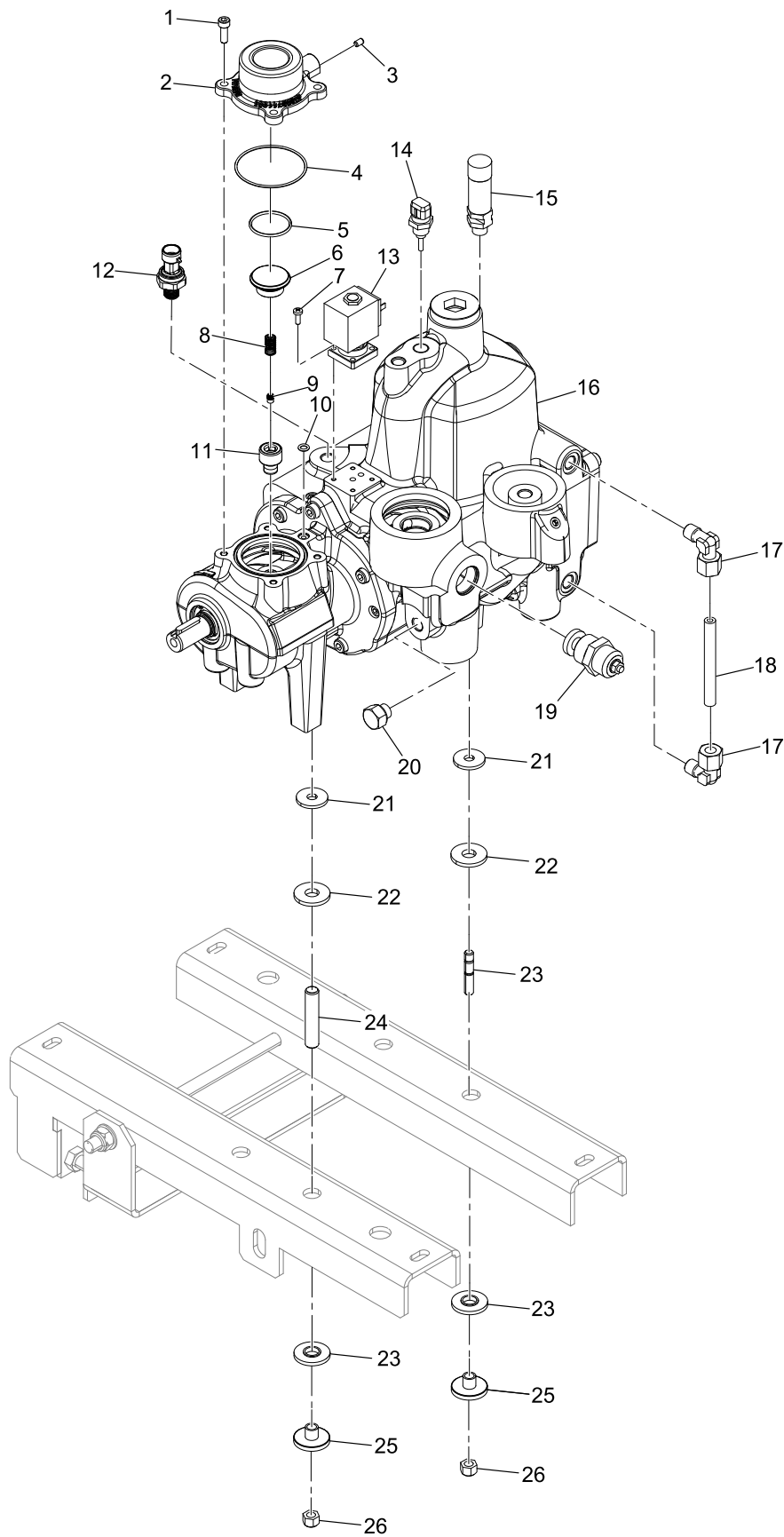
MOTOR ASSEMBLY (IR76X)

Item	Part No.	Description	Qty.
1	A93049900	SCREW	1
2	A93149520	LOCK.DISK	2
3	47900108001	FAN WHEEL	1
4	100016192	AIR INTAKE NOZZLE	1
5	See Table 4, p. 19	MOTOR, DRIVE	1
6	A93130100	WASHER	4
7	96712096	WASHER, SPRING LOCK	3
8	96704556	SCREW	3
9	A93121370	NUT	1
10	92329341	WASHER	1
11	47820511001	AXLE	1
12	47820512003	BRACKET	1
13	47820505003	SUPPORT BRACKET	1
14	A93121360	NUT	1
15	47820510001	BRACKET	1
16	47820504003	SUPPORT BRACKET	1
17	A93130110	DISK	1
18	95001-285	SCREW	1
19	96728571	BOLT	4
20	MN112	NUT	1
21	A93040565	SCREW	1
22	47884648001	ISOLATOR	4
23	96752589	NUT	4

Table 4. Alternate Parts

Application	Motor, Drive (#5)
7.5kW (10HP), 208/230V & 460V, 60HZ	47880570003
7.5kW (10HP), 575V, 60HZ	47880567003
11KW (15HP), 208/230V & 460V, 60HZ	47880608003
11kW (15HP), 575V, 60HZ	47880569003

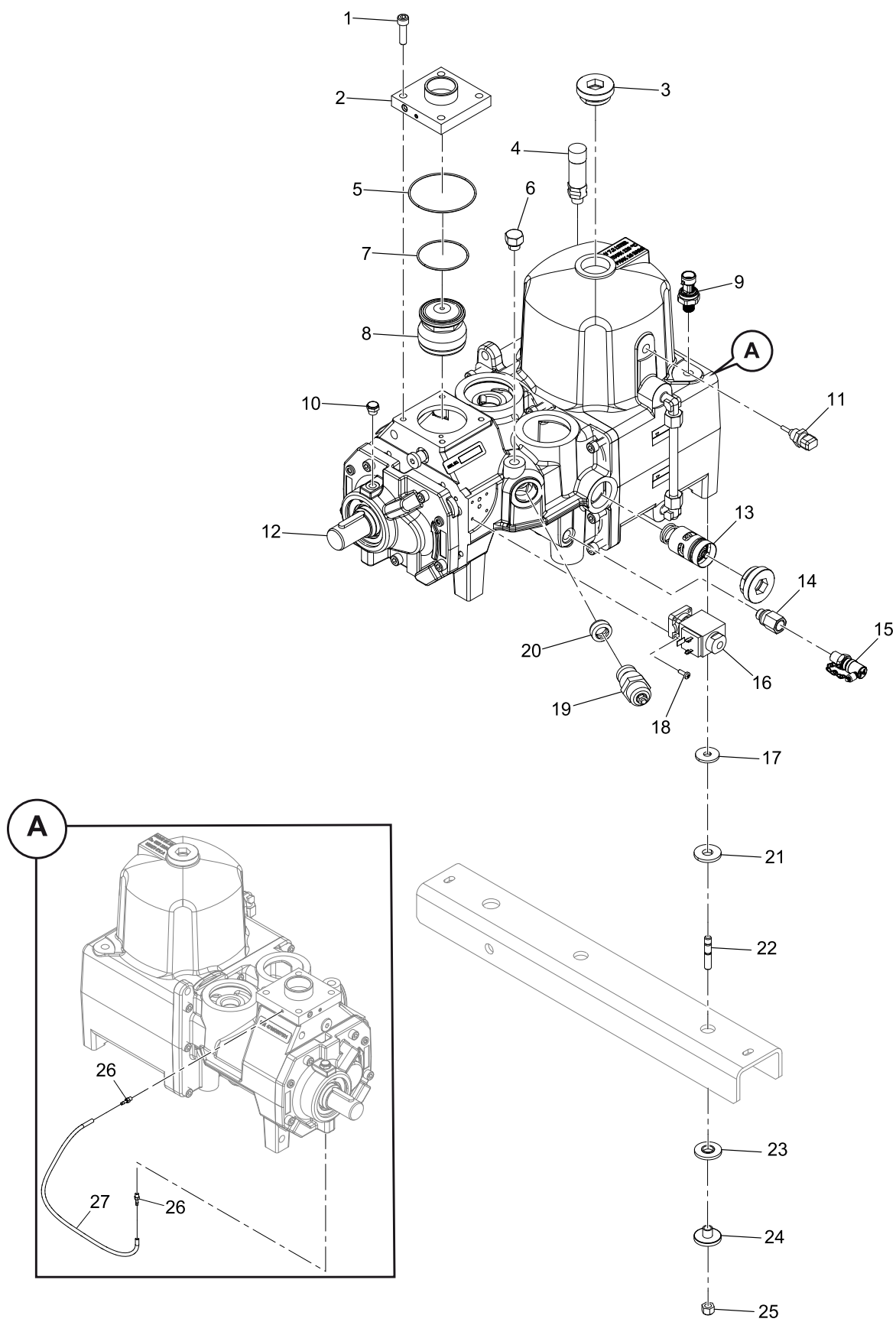
AIREND ASSEMBLY (IR58X)



AIREND ASSEMBLY (IR58X)

Item	Part No.	Description	Qty.
1	VP1118579	SCREW	4
2	47858746001	HOUSING, INLET VALVE	1
	47893114001	HOUSING, INLET VALVE (HIGH DUST)	1
3	96767371	SCREW	1
4	47874317001	O-RING	1
5	25BC649	O-RING	1
6	300SJB044	INLET VALVE	1
7	96705405	SCREW	4
8	VP1097201	SPRING COMPRESSION	1
9	47829714001	INLET VALVE	1
10	47863386001	O-RING	1
11	47894504001	VALVE, CHECK INLET	1
12	47882875001	PRESSURE TRANSDUCER	1
13	VP1108681	TWO-WAY SOLENOID VALVE	1
14	ZS1143737	TEMPERATURE PROBE	1
15	100003009	SAF.VAL	1
16	47886319001	ASSEMBLY, AIREND (FS)	1
	47886319002	ASSEMBLY, AIREND (VS)	1
17	A93581670	THREAD.ELBOW JOINT	2
18	A91801060	PLASTIC-TUBE	0.133M
19	ZS1046882	MINIMUM PRESSURE VALVE	1
20	96761432	PLUG	1
21	96740188	WASHER	4
22	100002438	BUFFER	8
23	A93024130	STUD BOLT	2
24	TST000403	SCREW	2
25	100015743	SPACER SLEEVE	4
26	96728431	NUT	4

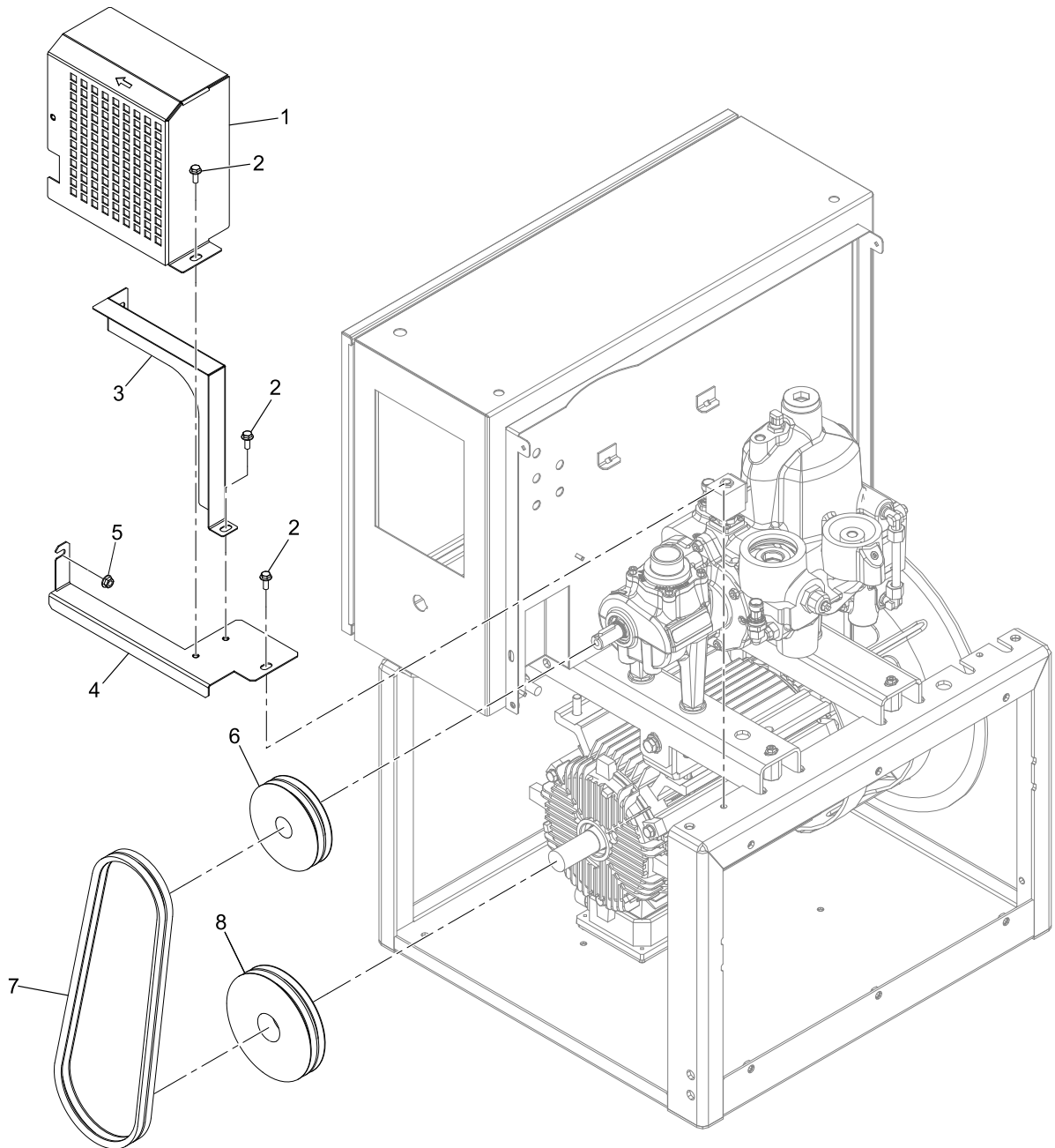
AIREND ASSEMBLY (IR76X)



AIREND ASSEMBLY (IR76X)

Item	Part No.	Description	Qty.
1	A93040490	SCREW	4
2	ZS1060580	SUCTION, FLANGE	1
	47894147001	SUCTION, FLANGE (HI-DUST)	1
3	A11852774	LOCKING SCREW	1
4	100003009	VALVE-PRESSURE RELIEF, 15BAR	1
5	47867360001	O-RING	1
6	96761432	PLUG	1
7	47867359001	O-RING	1
8	A11853074	INTAKE CONTROLLER	1
9	47882875001	PRESSURE TRANSDUCER	1
10	A13012774	SILENCER	1
11	ZS1143737	TEMPERATURE PROBE	1
12	47891763001	AIREND	1
13	A11203274	THERMOST.INSERT 55°C	1
	A11484474	INSERT THERMOSTAT 70°C	1
14	47955724001	ADAPTOR	1
15	86N345	OIL SAMPLING VALVE	1
16	VP1108681	TWO-WAY SOLENOID VALVE	1
17	96740188	WASHER	4
18	96705405	SCREW	4
19	ZS1046882	MINIMUM PRESSURE VALVE	1
20	A11852674	VALVE, SEAT	1
21	100002438	BUFFER 32/3,5 92 SHORE	8
22	A93024130	STUD BOLT	4
23	100015743	SPACER SLEEVE	4
25	96728431	NUT	4
26	A93601310	THREAD. NOZZLE	2
27	A93643260	TUBING	0.275M

BELT DRIVE ASSEMBLY (IR58X)



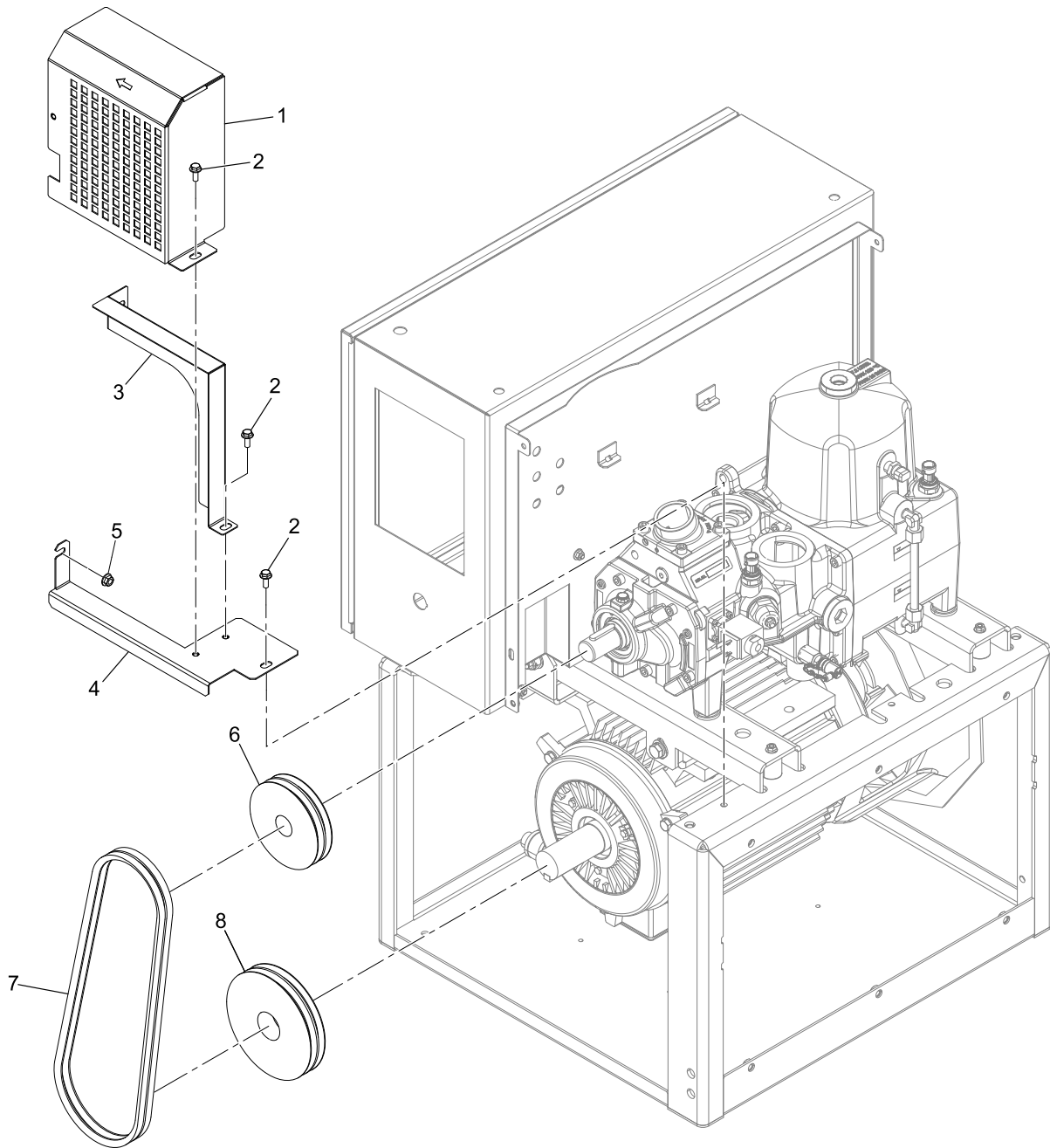
BELT DRIVE ASSEMBLY (IR58X)

Item	Part No.	Description	Qty.
1	47893978003	GUARD, FRONT BELT	1
2	96704531	SCREW	4
3	47894042003	GUARD, REAR BELT	1
4	47856078003	BELTGUARD, BOTTOM PLATE	1
5	96752589	NUT	2
6	See Table 5, p. 25	PULLEY, V-BELT	1
7	See Table 5, p. 25	V-BELT	2
8	See Table 5, p. 25	PULLEY, V-BELT	1

Table 5. Alternate Parts

Application	Pulley, V-Belt (#6)	V-Belt (#7)	Pulley, V-Belt (#8)
RSa4i- 103 PSIG, TAS	47894479001	47893970001	47888865003
RSa4i- 110 PSIG	47894479001	47893970001	47888865003
RSa4i- 118 PSIG, TAS	47888865002	47769265001	47888868005
RSa4i- 125 PSIG	47888865002	47769265001	47888868005
RSa4i- 138 PSIG, TAS	47888865002	ZS1059040	100004023
RSa4i- 145 PSIG	47888865002	ZS1059040	100004023
RSa4i- 193 PSIG, TAS	47888865002	47891703001	47888865003
RSa4i- 200 PSIG	47888865002	47891703001	47888865003
RSa5i- 103 PSIG, TAS	47894477001	47891705001	100003080
RSa5i- 110 PSIG	47894477001	47891705001	100003080
RSa5i- 118 PSIG, TAS	47894478001	47891705001	100003080
RSa5i- 125 PSIG	47894478001	47891705001	100003080
RSa5i- 138 PSIG, TAS	47894478001	47891705001	47888865003
RSa5i- 145 PSIG	47894478001	47891705001	47888865003
RSa5i- 193 PSIG, TAS	47894480001	47893970001	47888865003
RSa5i- 200 PSIG	47894480001	47893970001	47888865003

BELT DRIVE ASSEMBLY (IR76X)



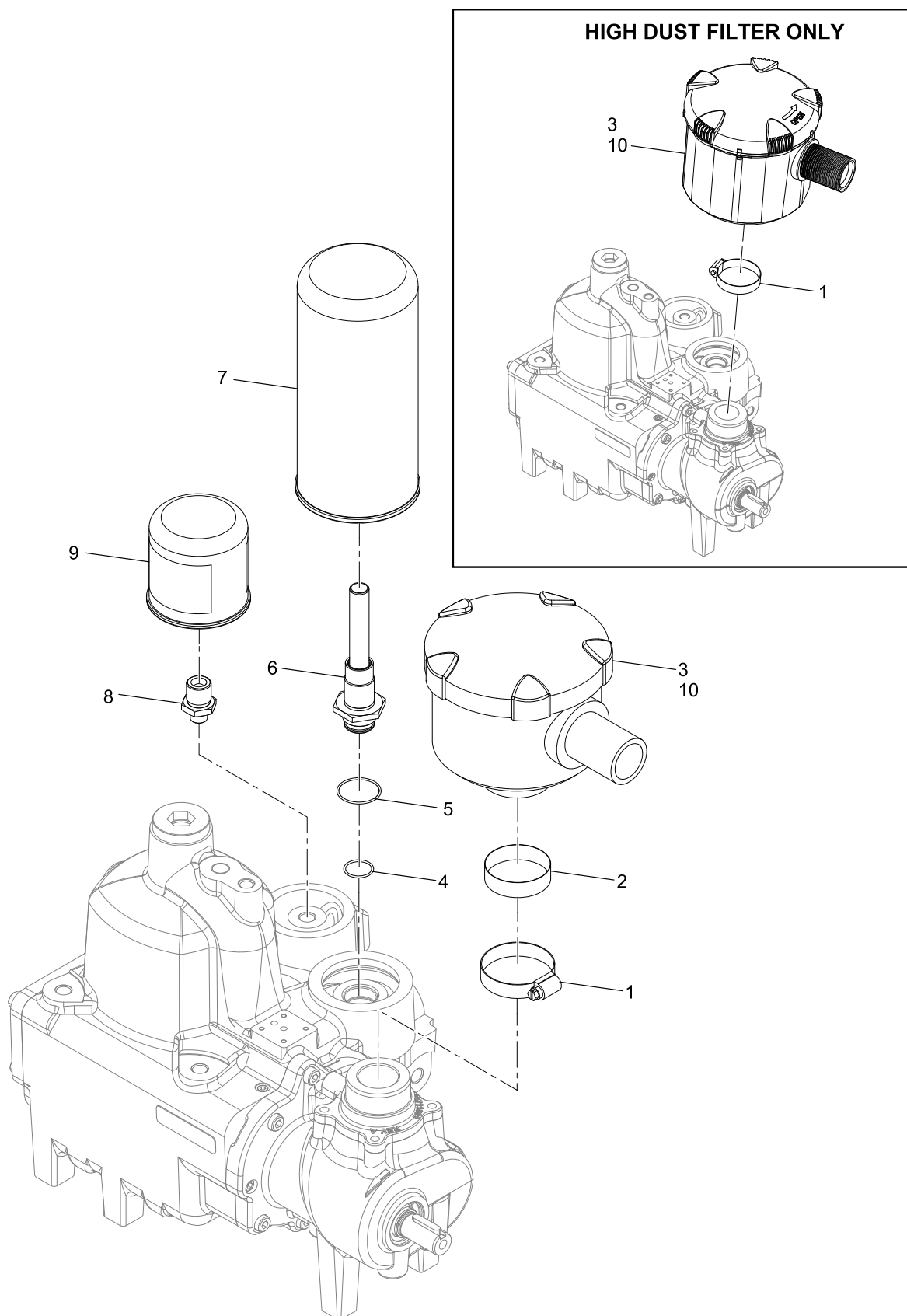
BELT DRIVE ASSEMBLY (IR76X)

Item	Part No.	Description	Qty.
1	47821734003	GUARD, FRONT BELT	1
2	96704531	SCREW	4
3	47821735003	GUARD, REAR BELT	1
4	47856078003	BELTGUARD, BOTTOM PLATE	1
5	96752589	NUT	2
6	See Table 6, p. 27	PULLEY, V-BELT	1
7	See Table 6, p. 27	V-BELT	2
8	See Table 6, p. 27	PULLEY, V-BELT	1

Table 6. Alternate Parts

Application	Pulley, V-Belt (#6)	V-Belt (#7)	Pulley, V-Belt (#8)
RSa7i - 103 PSIG, TAS	100003077	47893973001	100003071
RSa7i - 110 PSIG	100003077	47893973001	100003071
RSa7i - 118 PSIG, TAS	100003079	47891703001	100003071
RSa7i - 125 PSIG	100003079	47891703001	100003071
RSa7i - 138 PSIG, TAS	47888865003	47891703001	100003071
RSa7i - 145 PSIG	47888865003	47891703001	100003071
RSa7i - 193 PSIG, TAS	100003081	47893975001	47894483001
RSa7i - 200 PSIG	100003081	47893975001	47894483001
RSa11ix - 103 PSIG, TAS	100003077	ZS1059033	100003075
RSa11ix - 110 PSIG	100003077	ZS1059033	100003075
RSa11ix - 118 PSIG, TAS	100003078	47893976001	100003075
RSa11ix - 125 PSIG	100003078	47893976001	100003075
RSa11ix - 138 PSIG, TAS	100003078	47769265001	100003074
RSa11ix - 145 PSIG	100003078	47769265001	100003074
RSa11ix - 193 PSIG, TAS	100003081	ZS1092648	100003075
RSa11ix - 200 PSIG	100003081	ZS1092648	100003075

AIR/OIL SEPARATOR ASSEMBLY (IR58X)

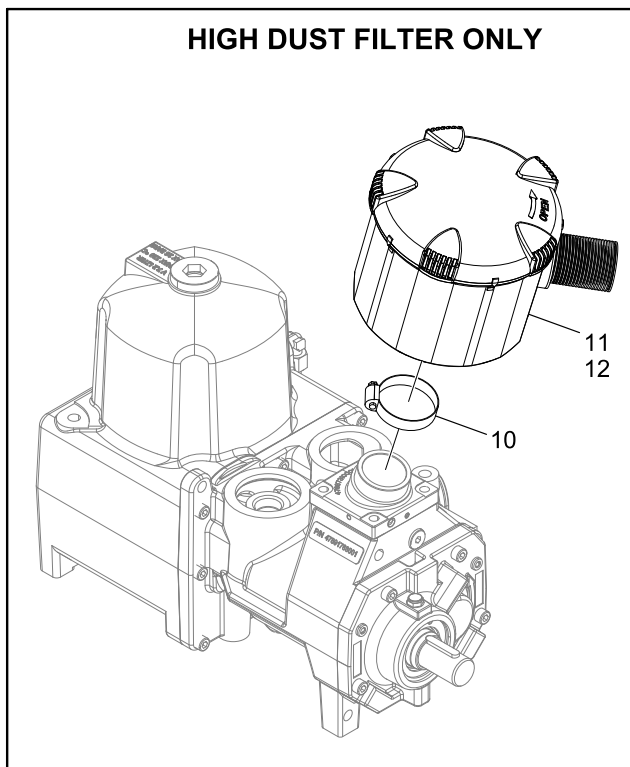
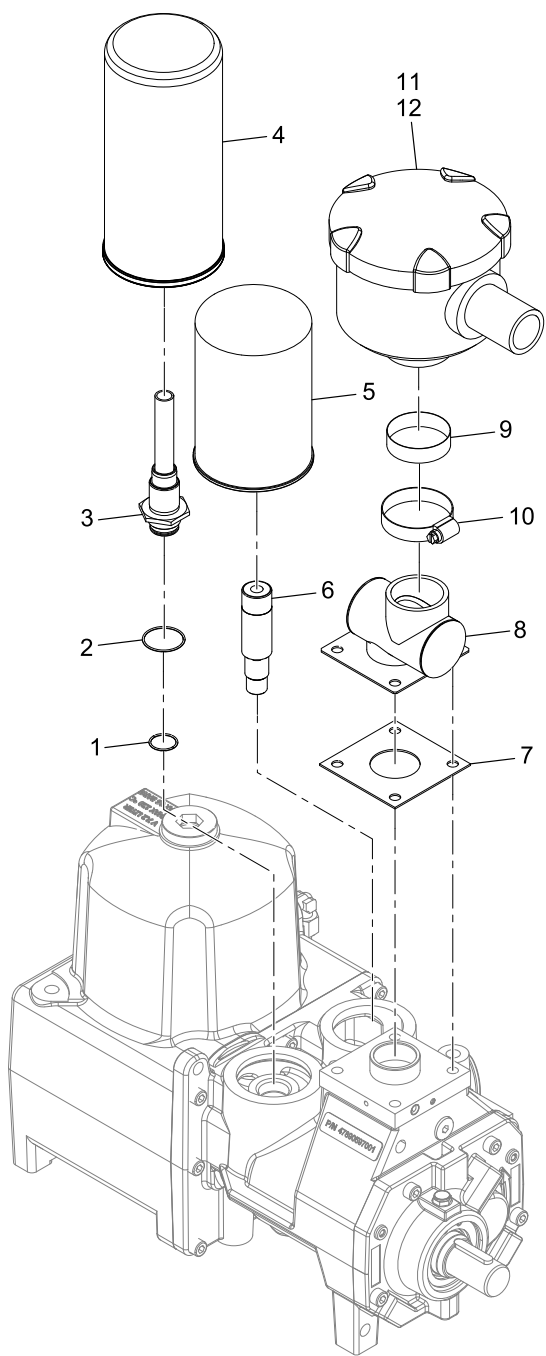


AIR/OIL SEPARATOR ASSEMBLY (IR58X)

Item	Part No.	Description	Qty.
1	95235156	CLAMP	1
2	89246078	SEAL, STANDARD	1
3	89243778	FILTER, STD INLET AIR	1
	47516568001	FILTER, HI DUST AIR	1
4	47867436001	O-RING	1
5	47867358001	O-RING	1
6	47828069001	FITTING, DOUBLE	1
7	24121212	ELEMENT, SEPARATOR	1
8	47827658001	NIPPLE	1
9	92824598	ELEMENT, OIL FILTER	1
**10	88171913	ELEMENT, AIR FILTER - STANDARD	1
	89295976	ELEMENT, AIR FILTER - HI DUST	1

**	NOT ILLUSTRATED
----	-----------------

AIR/OIL SEPARATOR ASSEMBLY (IR76X)



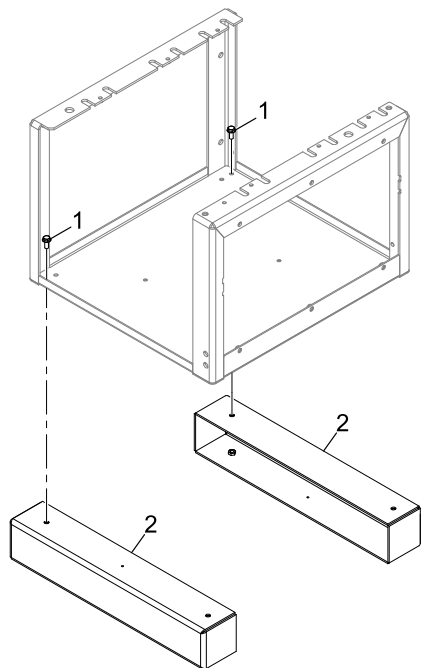
AIR/OIL SEPARATOR ASSEMBLY (IR76X)

Item	Part No.	Description	Qty.
1	47867436001	O-RING	1
2	47867358001	O-RING	1
3	47828069001	SEPARATOR, DOUBLE-FITTING	1
4	47914390001	ELEMENT	1
5	39329602	ELEMENT	1
6	47845231001	NIPPLE, DOUBLE-FITTING	1
7	47842616001	GASKET, STD INLET VALVE	1
8	47842358003	FLANGE, STD INLET	1
9	89246078	SEAL, STANDARD	1
10	95235156	CLAMP	1
11	89243778	FILTER, STD INLET AIR	1
	47516568001	FILTER, HI DUST AIR	1
**12	88171913	ELEMENT, AIR FILTER - STANDARD	1
	89295976	ELEMENT, AIR FILTER - HI DUST	1

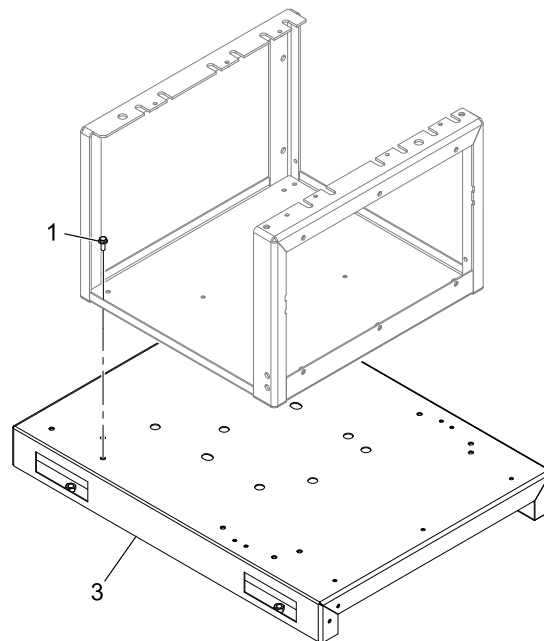
**	NOT ILLUSTRATED
----	-----------------

BASE ASSEMBLY

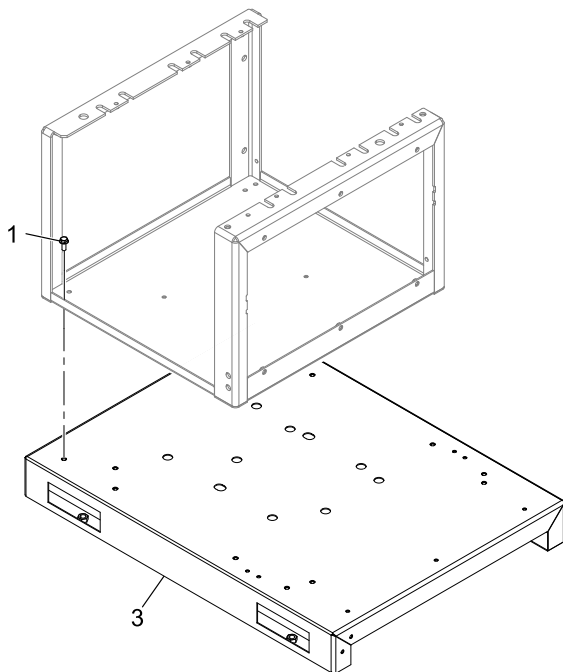
**NON TAS, SIDE DISCHARGE
(BASE MOUNT)**



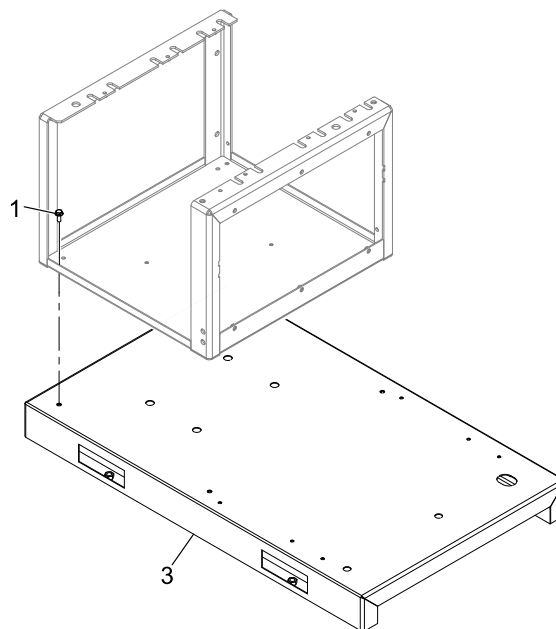
**NON TAS, SIDE DISCHARGE
(TANK MOUNT)**



**NON TAS, TOP DISCHARGE
(BASE/TANK MOUNT)**



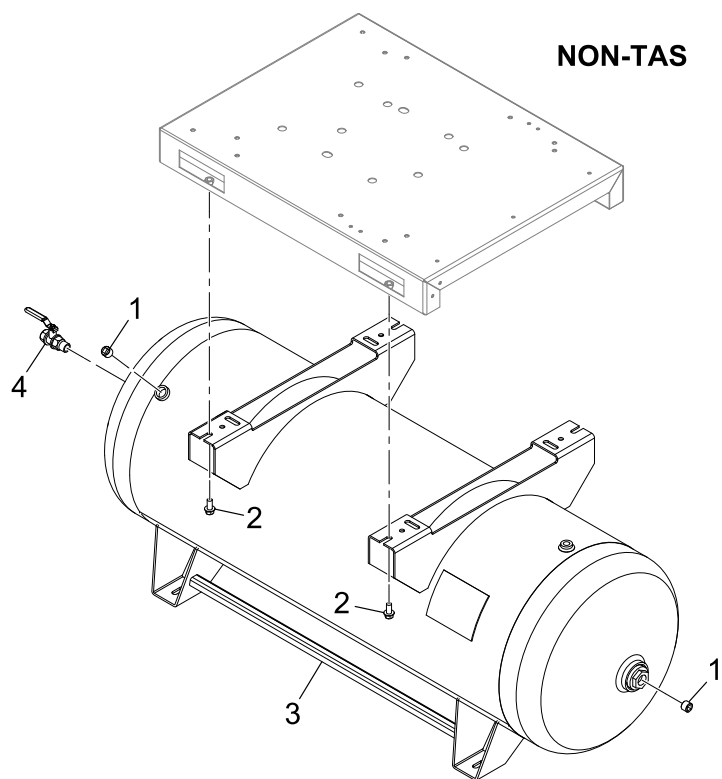
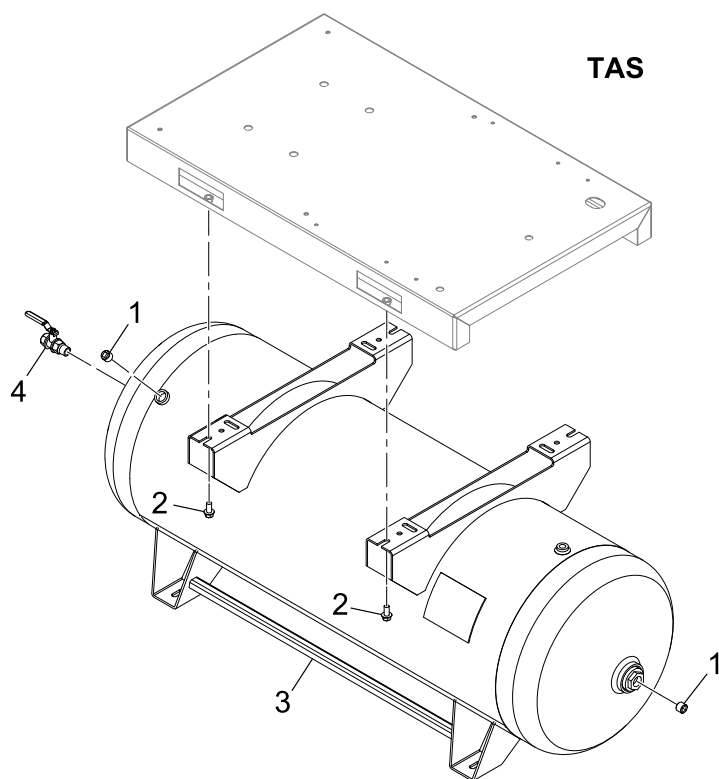
TAS OPTION



BASE ASSEMBLY

Item	Part No.	Description	Qty.
1	96704408	SCREW	4
2	47835641003	BASE, COMPRESSOR (NON-TAS, BASE MOUNT)	2
3	47835642003	BASE, TANK MOUNT AND TOP DISCHARGE	1
	47835643003	BASE, DRYER (TAS)	1

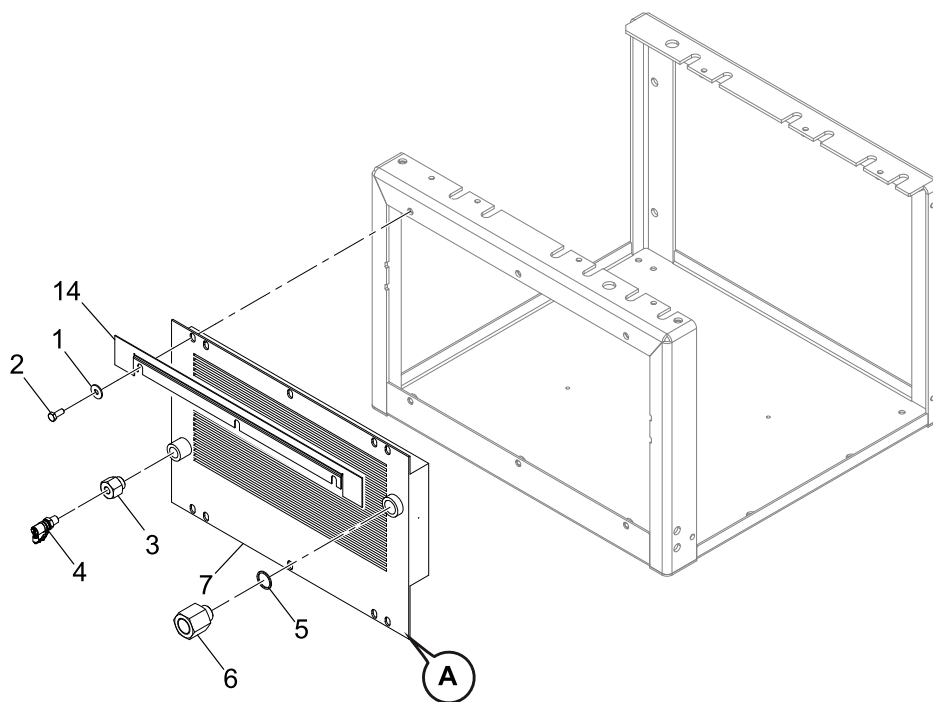
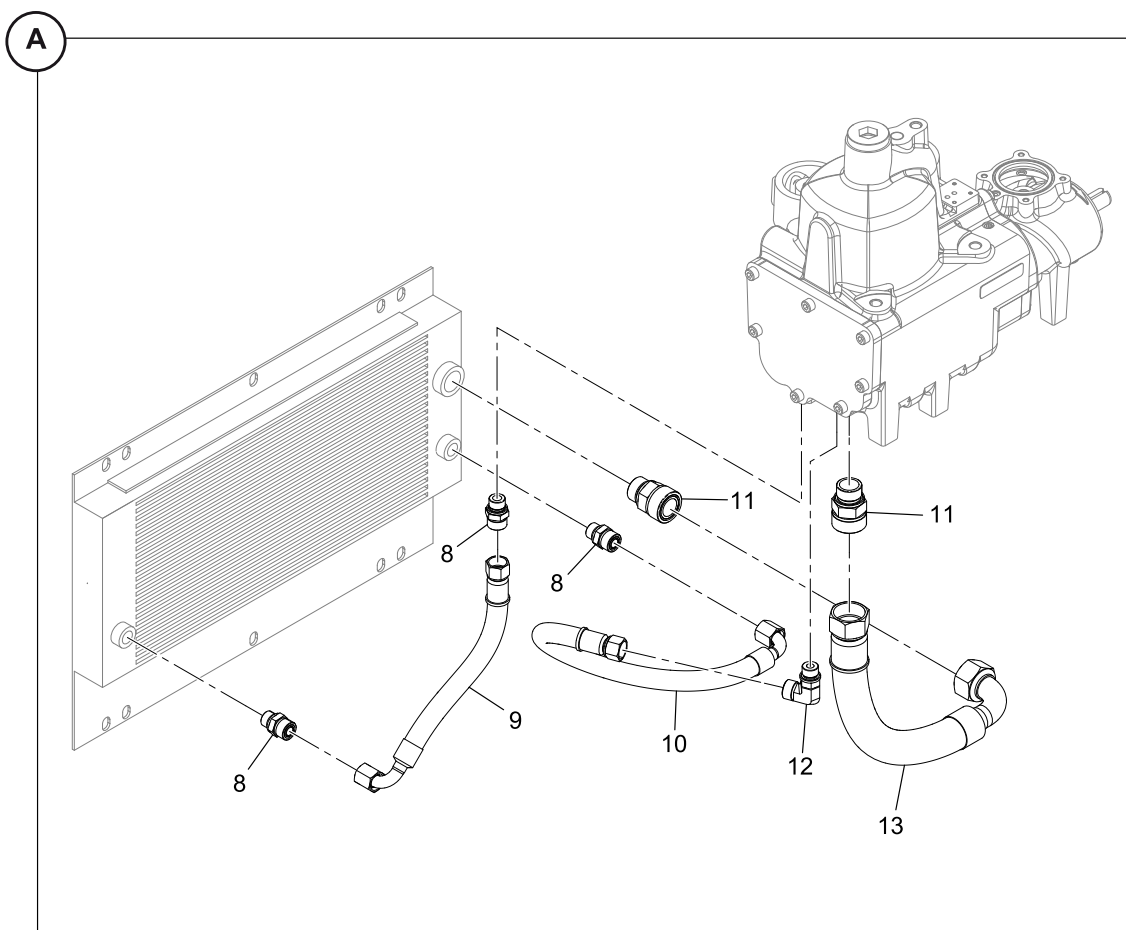
RECEIVER ASSEMBLY



RECEIVER ASSEMBLY

Item	Part No.	Description	Qty.
1	32179004	PLUG	2
2	96704226	SCREW	4
3	47732498001	ASSEMBLY, RECEIVER 80 GAL, 20IN, 200 PSIG	1
	47732499001	ASSEMBLY, RECEIVER 120 GAL. / 160 PSIG	1
	47618489001	ASSEMBLY, RECEIVER 80 GAL, 20IN, 225 PSIG	1
	22348296	ASSEMBLY, RECEIVER 120 GAL. / 225 PSIG	1
4	32223596	ASSEMBLY, BALL VALVE	1

COOLER ASSEMBLY (4/5.5KW)

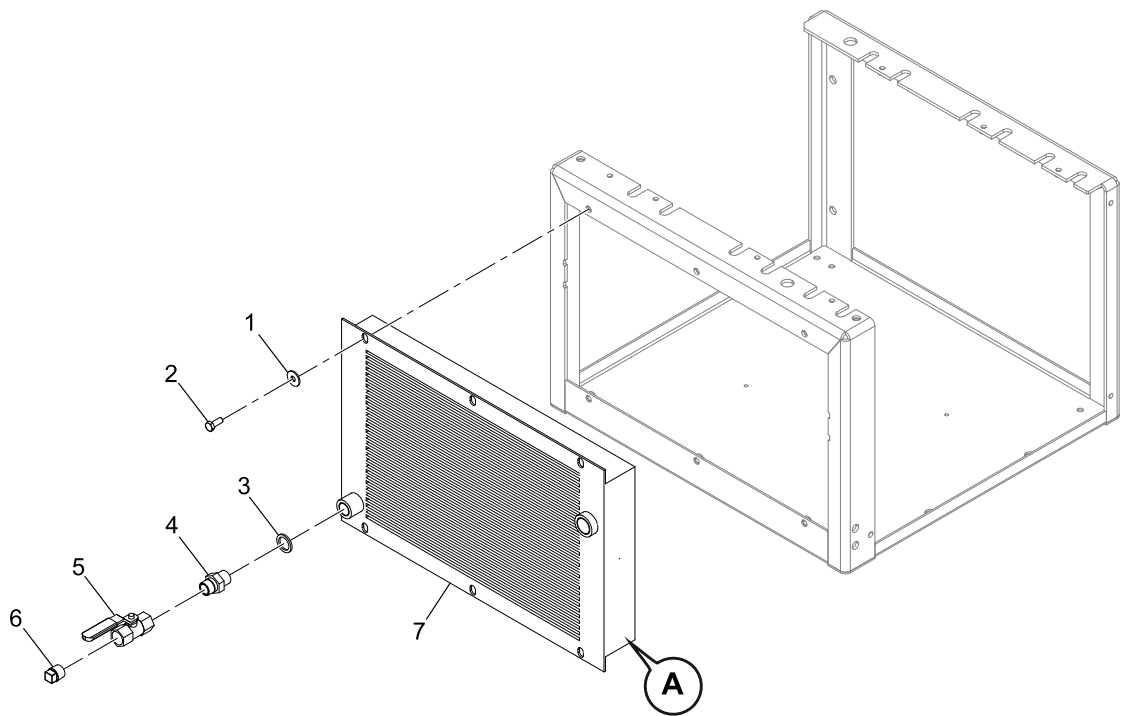
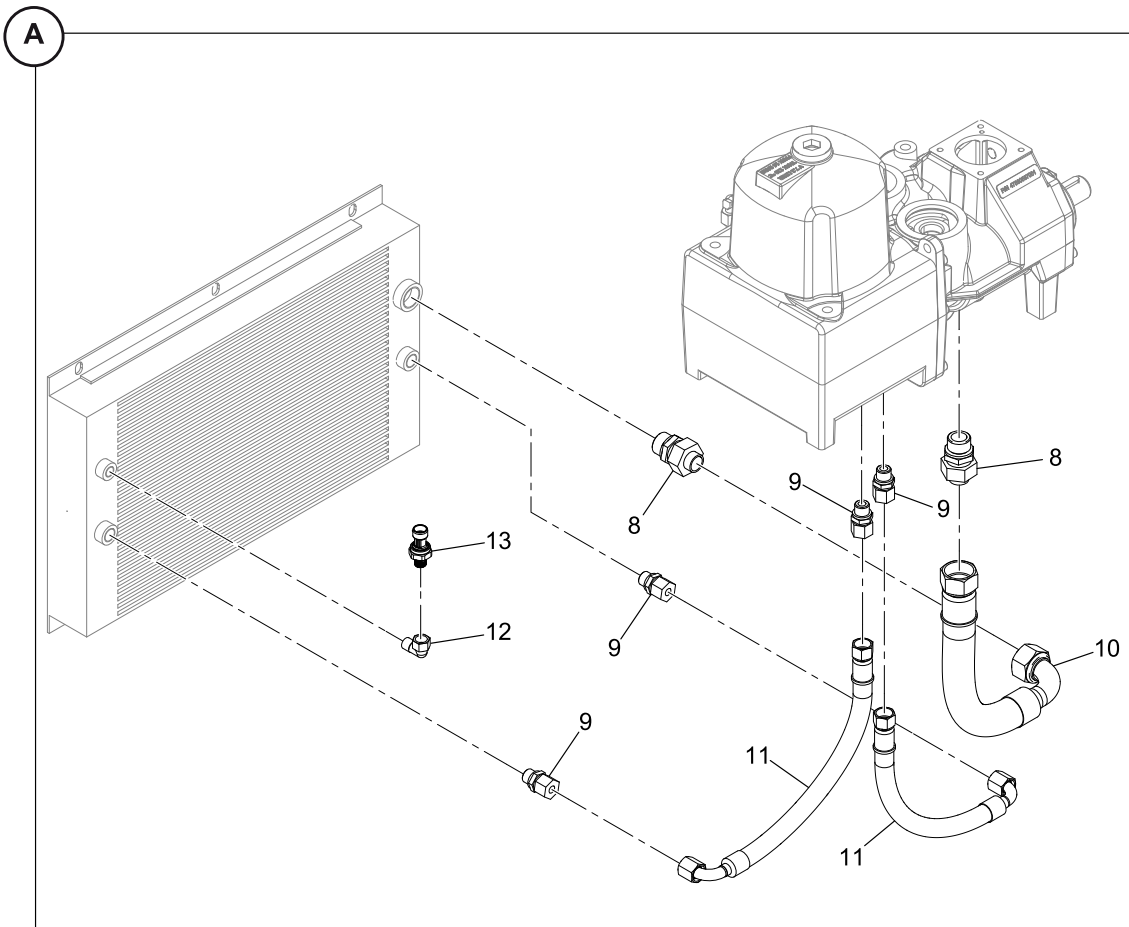


COOLER ASSEMBLY (4/5.5KW)

Item	Part No.	Description	Qty.
1	96740287	WASHER	6
2	96702824	SCREW	6
3	86H292	ADAPTER	1
4	86N345	VALVE, OIL SAMPLING	1
5	A93189130	SEAL	1
6	100002053	ADAPTER	1
7	100016185	COOLER	1
8	96760079	CONNECTOR	3
9	24260820002	HOSE	1
10	24260820013	HOSE	1
11	A93580750	CONNECTOR	2
12	96760186	ELBOW	1
13	47874187001	HOSE	1
14	47927056003	COVER, PLATE COOLER	1
**	R9704	ADHESIVE	1

**	NOT ILLUSTRATED
----	-----------------

COOLER ASSEMBLY (7.5/11KW)



COOLER ASSEMBLY (7.5/11KW)

Item	Part No.	Description	Qty.
1	96740287	WASHER	6
2	96702824	SCREW	6
3	DSC-200	WASHER, BONDED	1
4	64EB1088	FITTING	1
5	32106551	VALVE, BALL	1
6	64AA7	PLUG	1
7	47888794001	COOLER, OIL AND AIR	1
8	A93580750	CONNECTOR	2
9	96760079	CONNECTOR	4
10	100016183	HOSE, AIR LINE	1
11	24260820003	HOSE, OIL LINE	2
12	96761218	ELBOW	1
13	47882875001	TRANSDUCER, PRESSURE	1
**	R9704	SPONGE, NEO	1

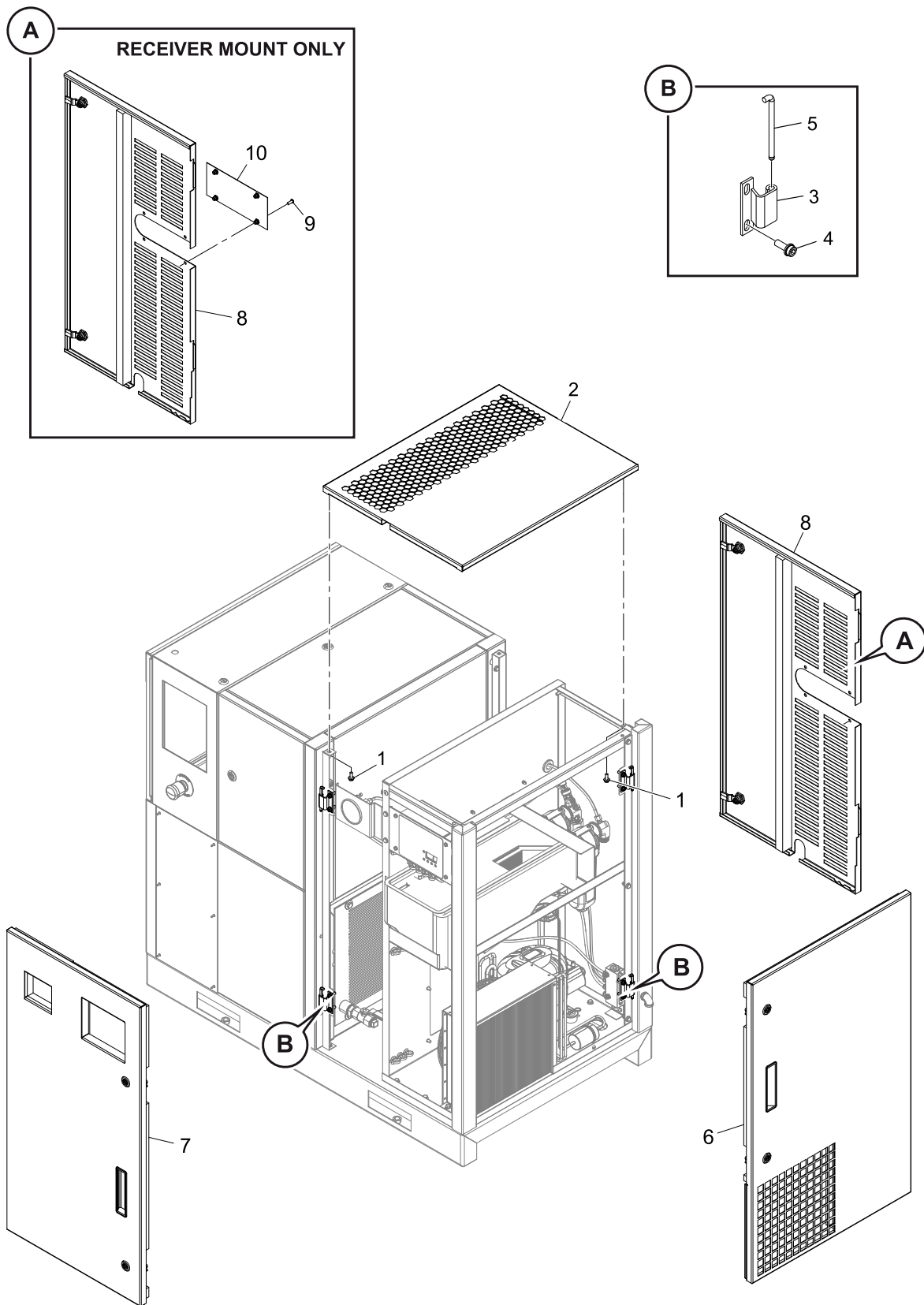
**	NOT ILLUSTRATED
----	-----------------

INTEGRATED DRYER ASSEMBLY

Item	Part No.	Description	Qty.
1	96704531	SCREW	24
2	47846136003	ASSEMBLY, CORNER LEFT FRONT	1
3	47846165003	ASSEMBLY, CORNER LEFT REAR	1
4	47845564001	DRYER, FRAME 0,1 INTEGRATED, 115V/60HZ	1
5	47846166003	ASSEMBLY, CORNER RIGHT FRONT	1
6	47846167003	ASSEMBLY, CORNER RIGHT REAR	1
7	22487110	GAUGE, PRESSURE	1
8	47884274003	BRACKET, PRESSURE GAUGE	1
9	22420376	CONNECTOR	1
10	23264120	GROMMET, INSULATION	1
11	92490358	TUBE, NYLON 6MM	1
12	47538427001	CONNECTOR	1
13	47750140001	GLAND, CABLE	2
14	47882873001	TRANSDUCER, PRESSURE	1
15	47855863001	CABLE, PRESSURE SENSOR	1
16	47902027001	ADAPTER	1
17	24871006001	HOUSING FILTER	1
**18	24239212	ELEMENT, FILTER-EC65H	1
**19	24239204	ELEMENT, FILTER-EC65G	1
**	47894658001	HARNESS, FR01, INLET VALVE & SENSORS (IR- TAS)	1
**	22052609	TIE, CABLE - BASE	3

**	NOT ILLUSTRATED
----	-----------------

INTEGRATED DRYER ASSEMBLY

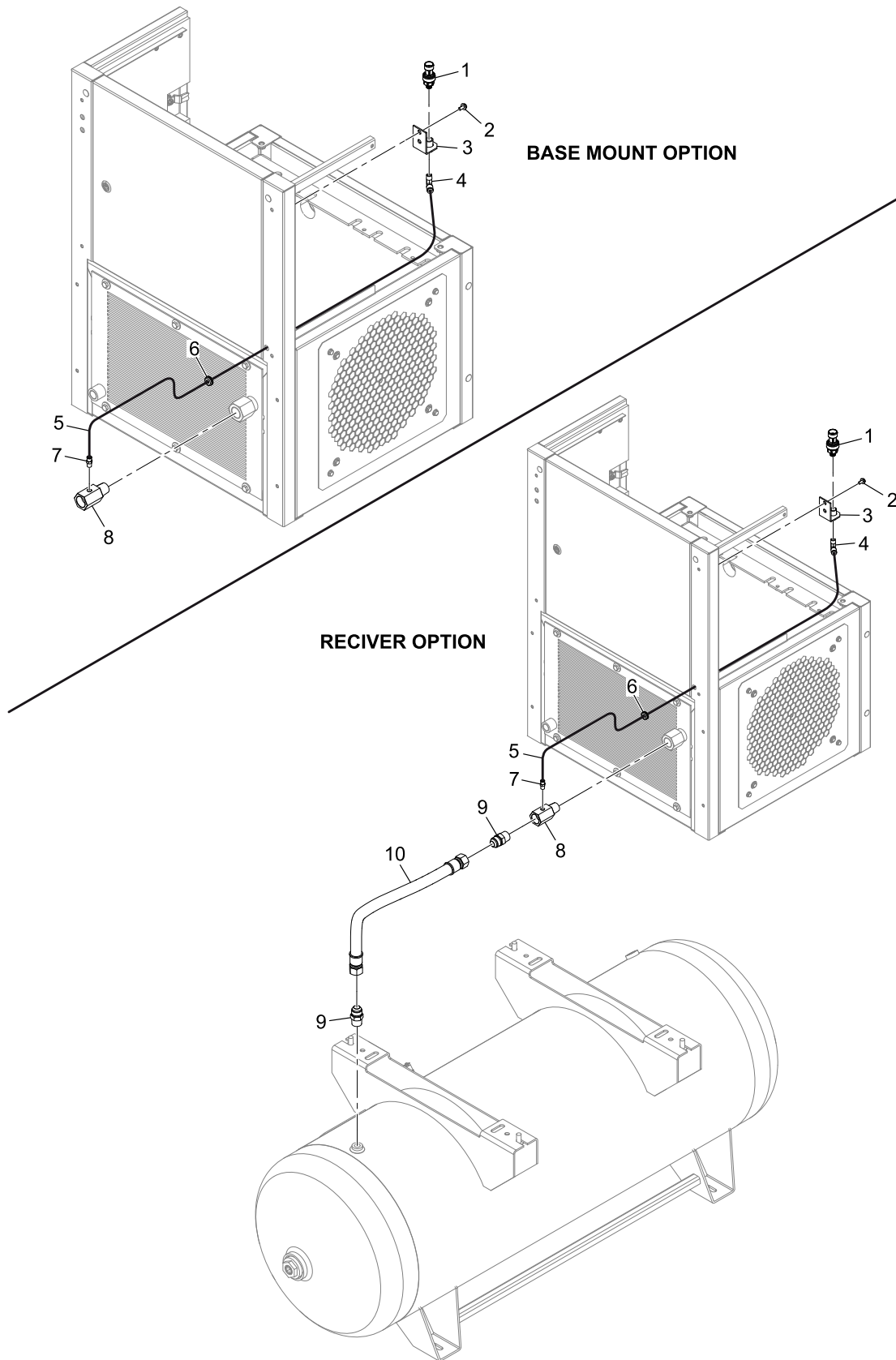


INTEGRATED DRYER ASSEMBLY

Item	Part No.	Description	Qty.
1	96704531	SCREW	4
2*	47845790003	PANEL, TOP DOOR	1
3	22159842	HINGE, DOOR PIN BOLT ON	2
4	24718223	SCREW	4
5	93580140	HINGE, PIN	2
6*	47846124003	ASSEMBLY, SIDE DOOR (BEIGE)	1
7*	47846090003	ASSEMBLY, FRONT DOOR	1
8*	47846123003	ASSEMBLY, REAR DOOR	1
9	96764758	SCREW	4
10	47863600003	PLATE, COVER DRYER OUTLET	1

Note: * Includes sound attenuation foam.

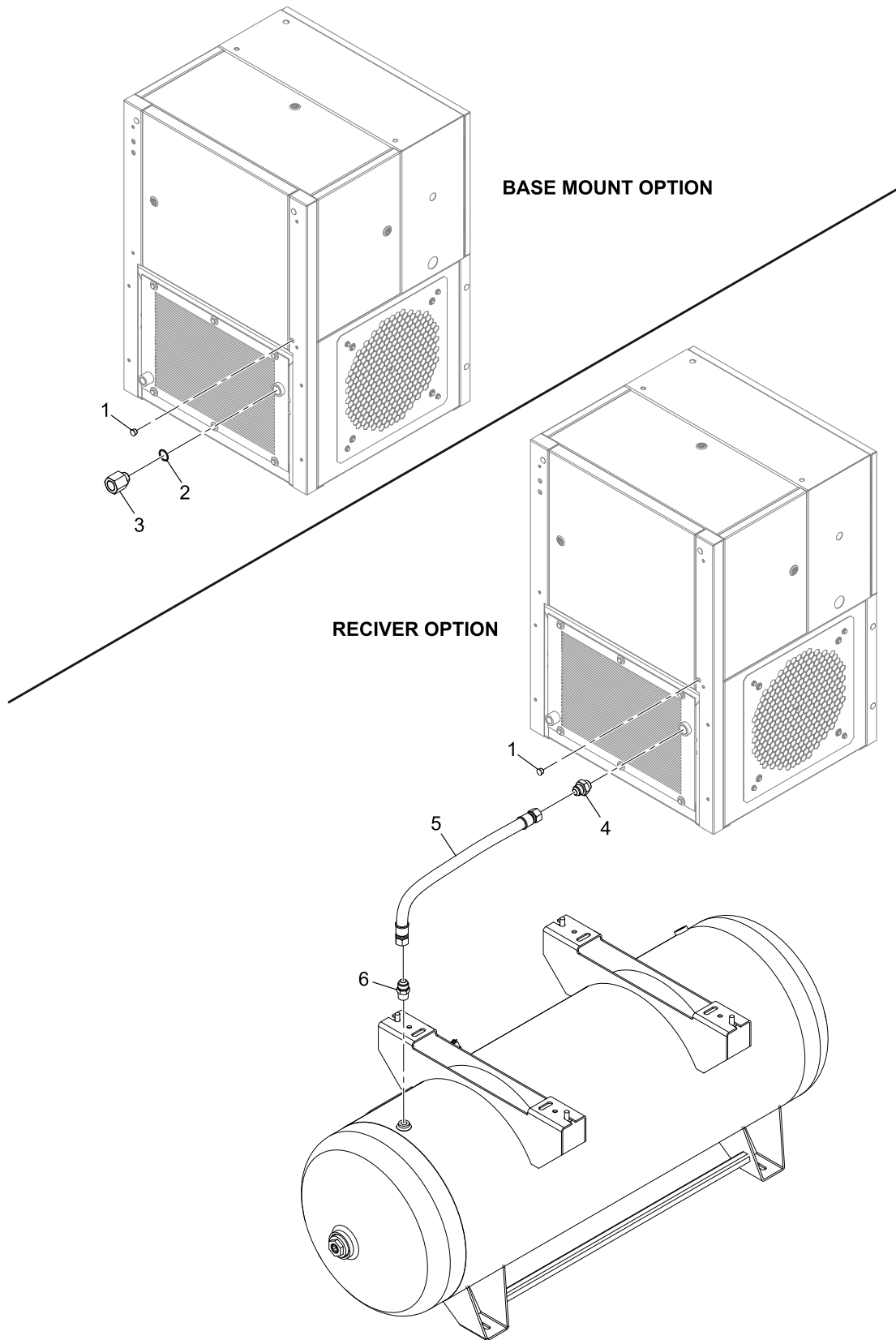
AIR PIPING (NON-TAS SIDE DISCHARGE, 4/5.5KW)



AIR PIPING (NON-TAS SIDE DISCHARGE, 4/5.5KW)

Item	Part No.	Description	Qty.
1	47882873001	TRANSDUCER, PRESSURE	1
2	96705058	SCREW	2
3	47888549003	BRACKET	1
4	39155478	ELBOW	1
5	39124813	TUBE	20 IN
6	85583367	GROMMET, INSULATION	1
7	39156393	CONNECTOR	1
8	47524154001	TEE	1
9	95937512	CONNECTOR (RECEIVER MOUNT ONLY)	2
10	85560621	HOSE (RECEIVER MOUNT ONLY)	1

AIR PIPING (NON-TAS SIDE DISCHARGE, 7.5/11KW)

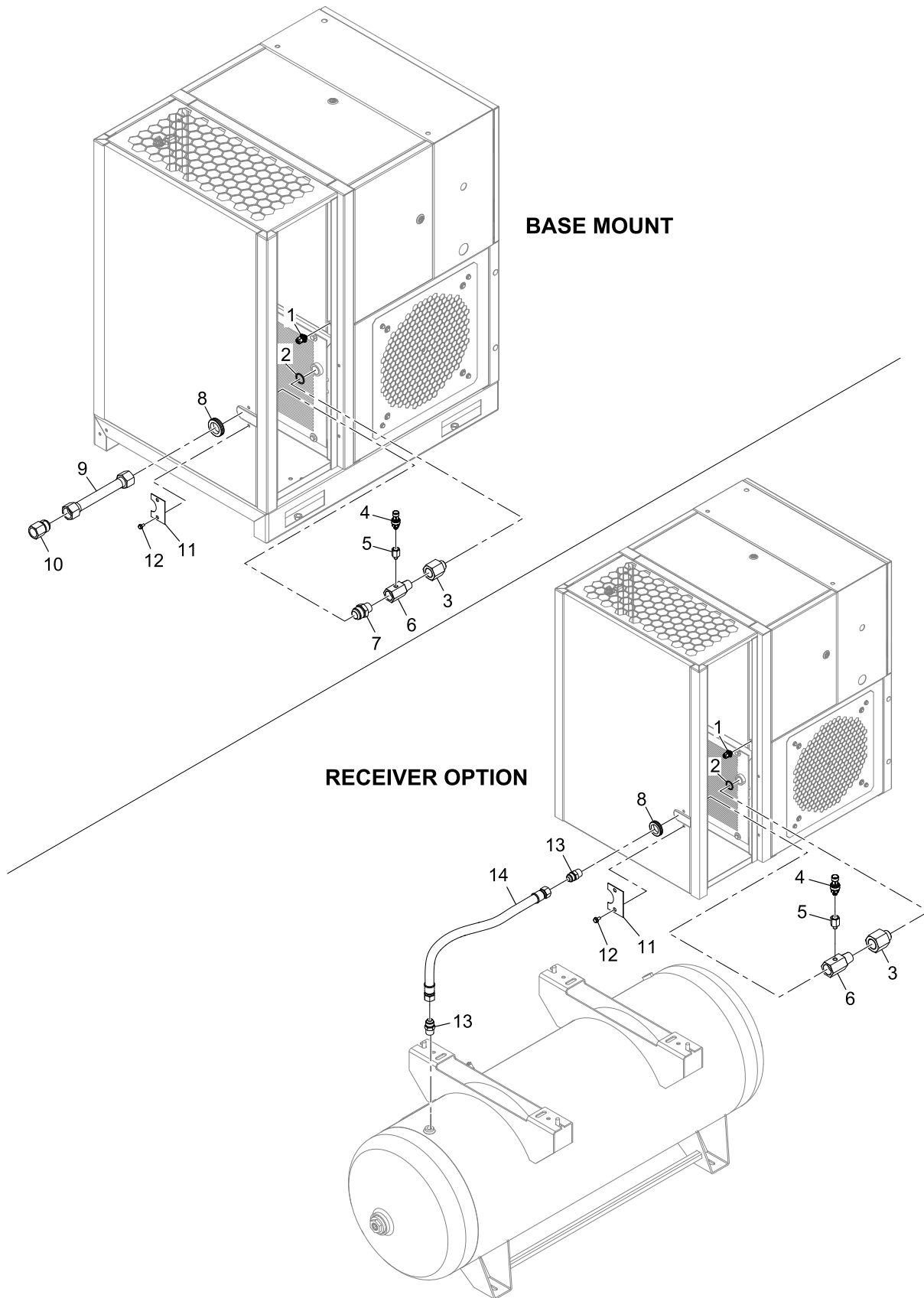


Note: Base is not shown.

AIR PIPING (NON-TAS SIDE DISCHARGE, 7.5/11KW)

Item	Part No.	Description	Qty.
1	SS-01867	PLUG (BASE MOUNT ONLY)	1
2	A93189130	SEAL (BASE MOUNT ONLY)	1
3	100002053	ADAPTER (BASE MOUNT ONLY)	1
4	96734074	CONNECTOR (RECEIVER MOUNT ONLY)	1
5	85560324	HOSE (RECEIVER MOUNT ONLY)	1
6	95937512	CONNECTOR (RECEIVER MOUNT ONLY)	1

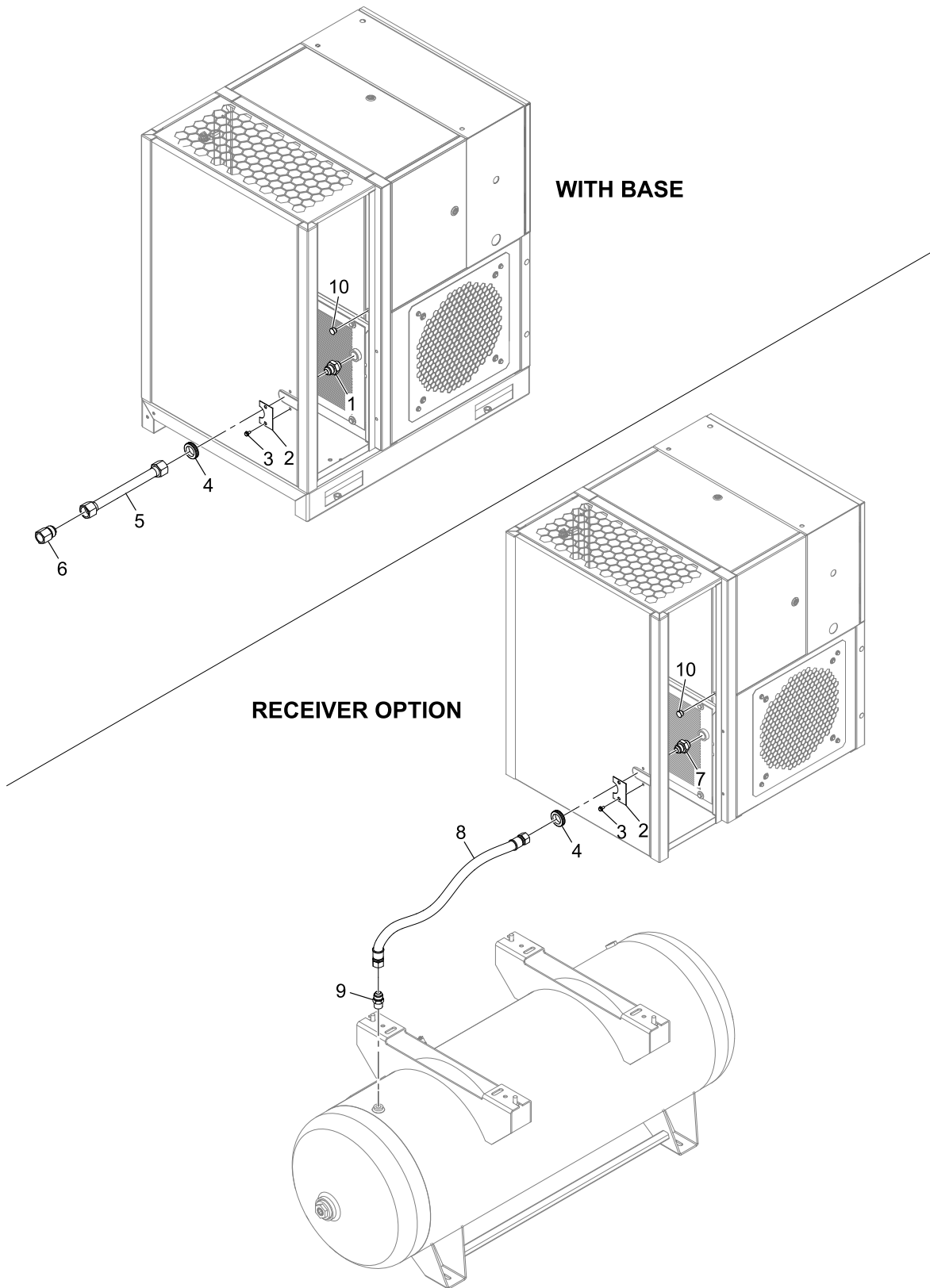
AIR PIPING (NON-TAS TOP DISCHARGE, 4/5.5KW)



AIR PIPING (NON-TAS TOP DISCHARGE, 4/5.5KW)

Item	Part No.	Description	Qty.
1	47750140001	GLAND, CABLE	1
2	A93189130	SEAL	1
3	100002053	ADAPTER	1
4	47882873001	PRESSURE TRANSDUCER	1
5	47902027001	ADAPTER	1
6	47524154001	TEE	1
7	95937538	CONNECTOR (BASE MOUNT ONLY)	1
8	23264138	GROMMET	1
9	47865918001	TUBE (BASE MOUNT ONLY)	1
10	96772082	CONNECTOR (BASE MOUNT ONLY)	1
11	47864052003	PLATE	1
12	96705058	SCREW	2
13	95937512	CONNECTOR (RECEIVER MOUNT ONLY)	2
14	85560332	HOSE (RECEIVER MOUNT ONLY)	1

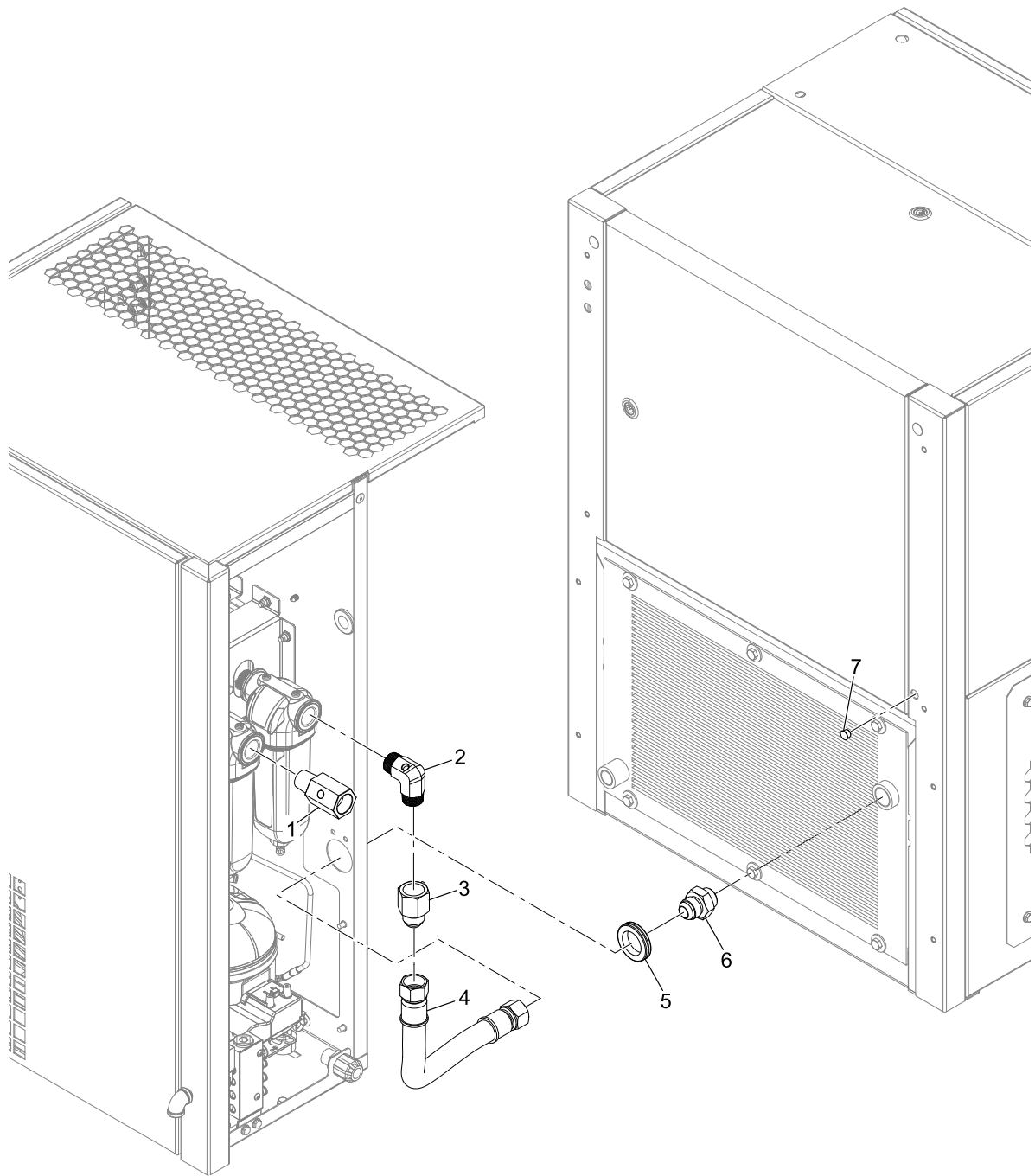
AIR PIPING (NON-TAS TOP DISCHARGE, 7.5/11KW)



AIR PIPING (NON-TAS TOP DISCHARGE, 7.5/11KW)

Item	Part No.	Description	Qty.
1	96739529	CONNECTOR (BASE MOUNT ONLY)	1
2	47864052003	PLATE	1
3	96705058	SCREW	2
4	23264138	GROMMET	1
5	47875943001	TUBE (BASE MOUNT ONLY)	1
6	96772082	CONNECTOR (BASE MOUNT ONLY)	1
7	96734074	CONNECTOR (RECEIVER MOUNT ONLY)	1
8	85560373	HOSE (RECEIVER MOUNT ONLY)	1
9	95937512	CONNECTOR (RECEIVER MOUNT ONLY)	1
10	SS-01867	HOLE PLUG	1

AIR PIPING (TAS WITH BASE MOUNT, 4-11KW)

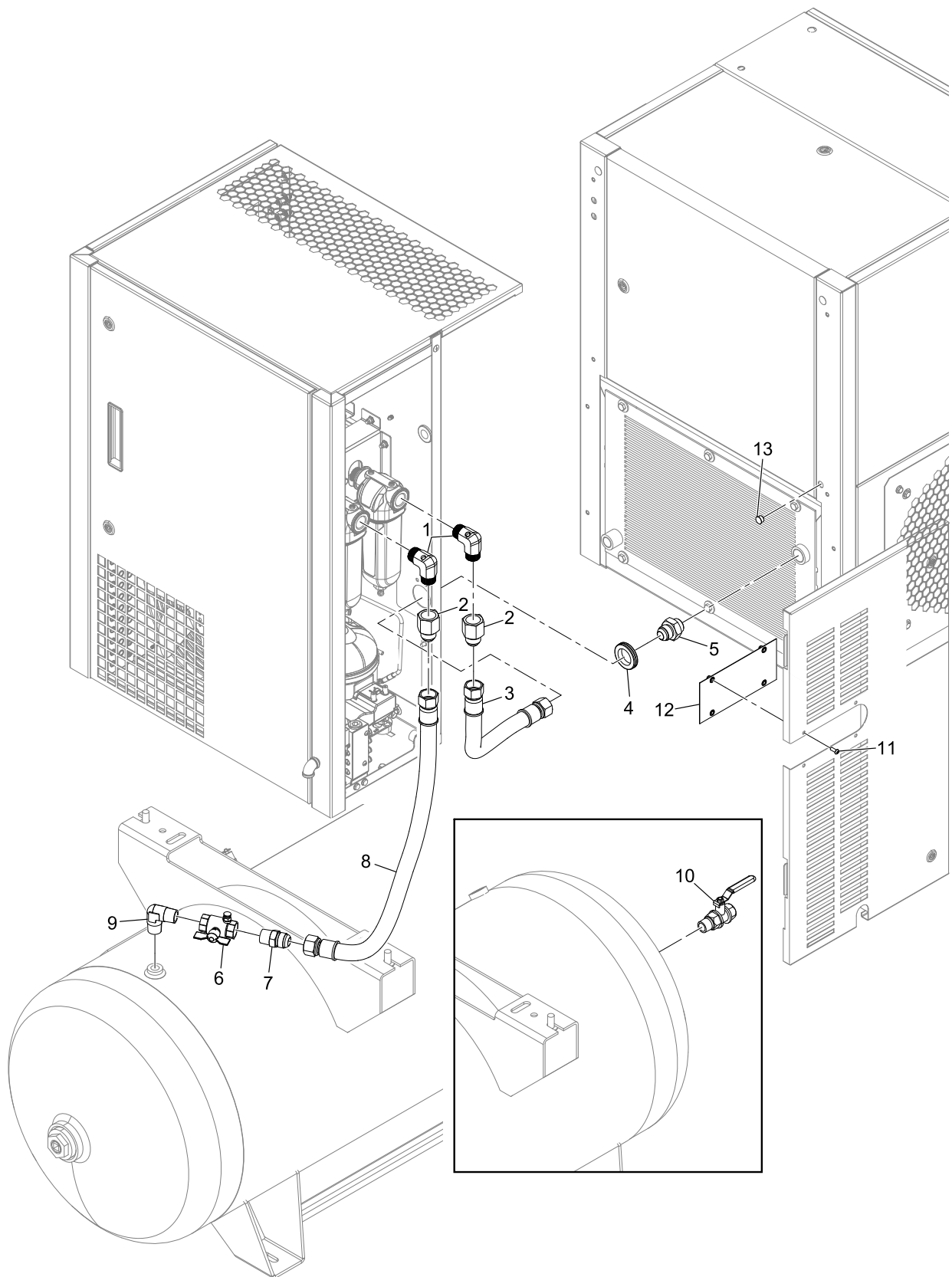


Note: Base is not shown.

AIR PIPING (TAS WITH BASE MOUNT, 4-11KW)

Item	Part No.	Description	Qty.
1	47524154001	TEE	1
2	47939173001	ELBOW	1
3	95939369	CONNECTOR	1
4	85560258	HOSE	1
5	47940159001	GROMMET	1
6	96734074	CONNECTOR	1
7	SS-01867	HOLE PLUG	1

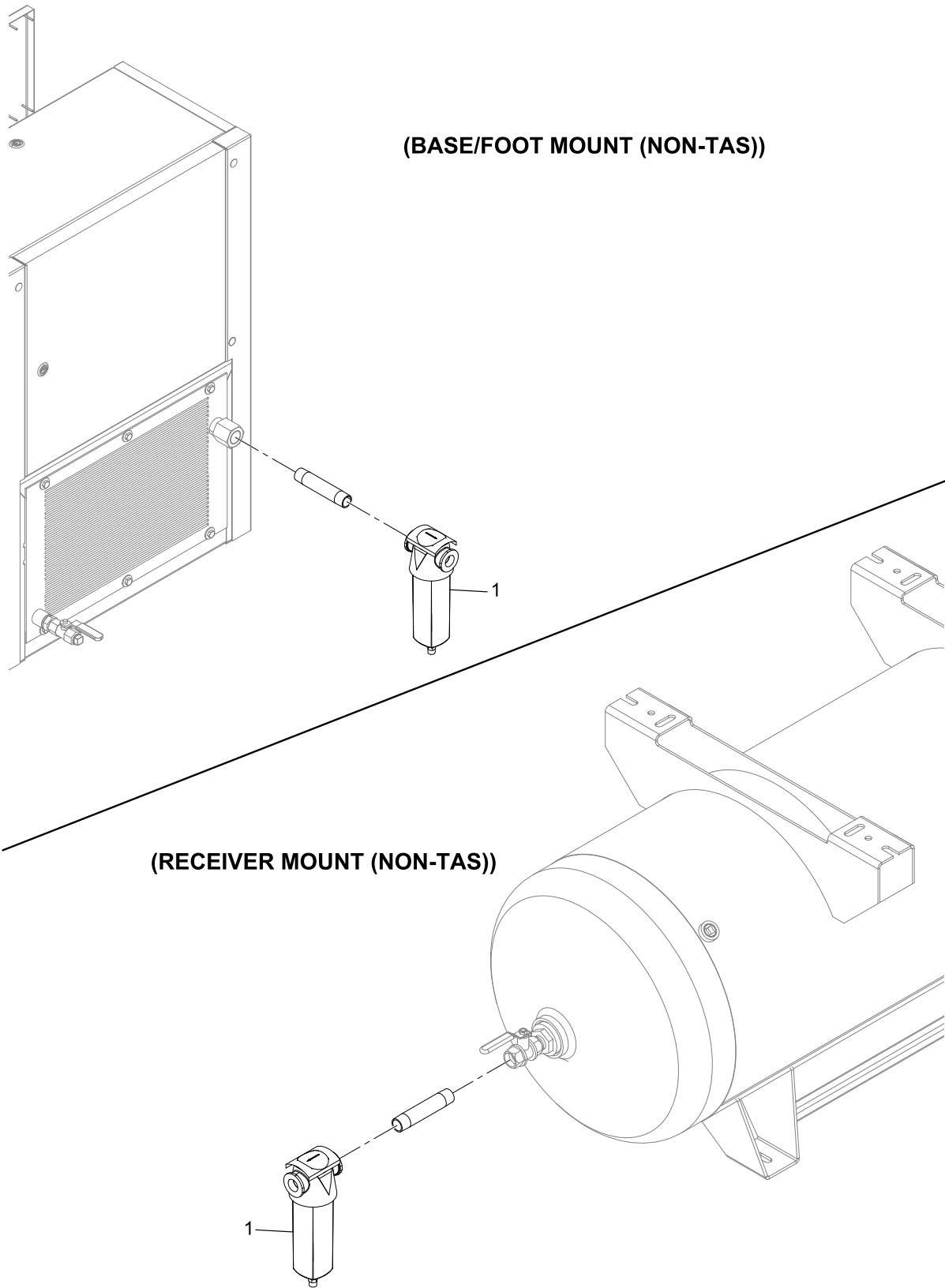
AIR PIPING (TAS WITH RECEIVER MOUNT, 4-11KW)



AIR PIPING (TAS WITH RECEIVER MOUNT, 4-11KW)

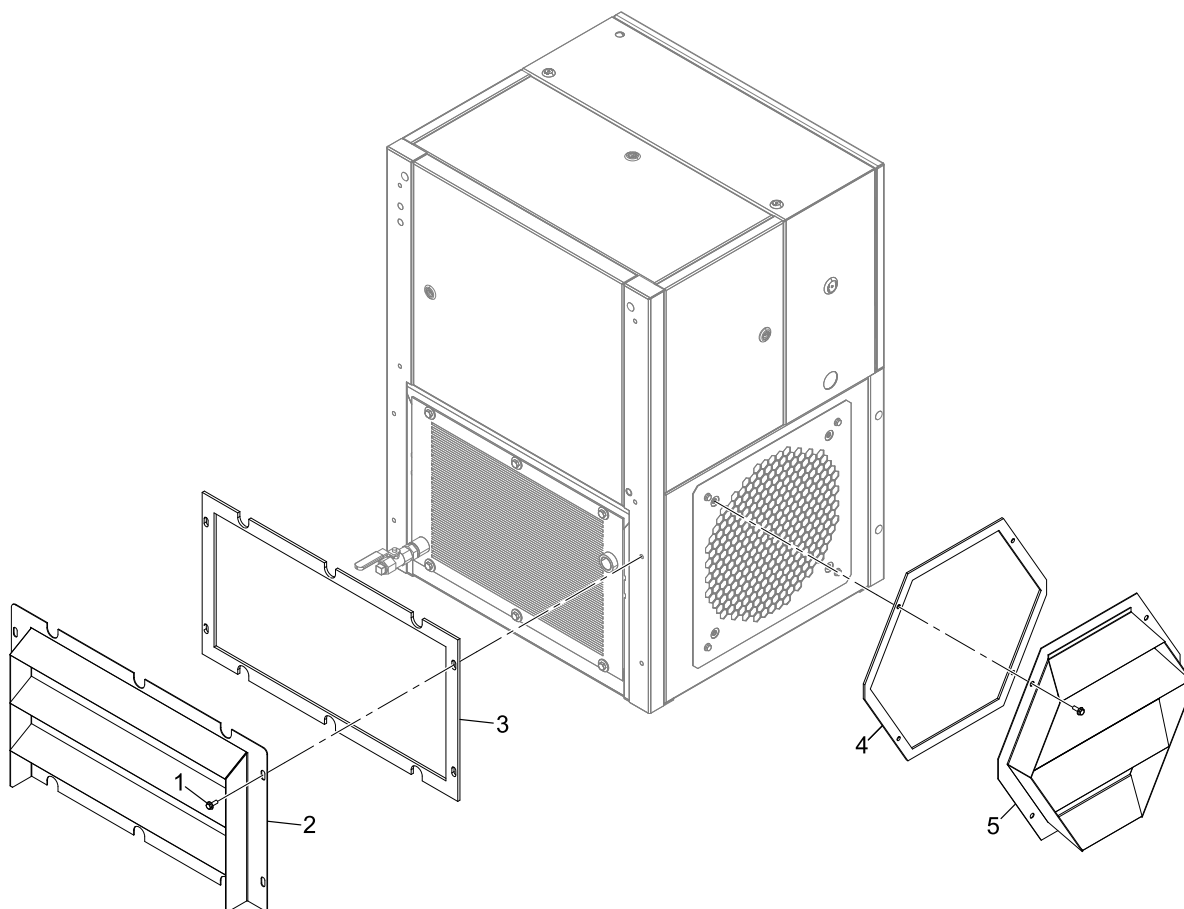
Item	Part No.	Description	Qty.
1	47939173001	ELBOW	2
2	95939369	CONNECTOR	2
3	85560258	HOSE	1
4	47940159001	GROMMET	1
5	96734074	CONNECTOR	1
6	47527898001	BALL VALVE	1
7	95937512	CONNECTOR	1
8	85560332	HOSE	1
9	95317434	ELBOW	1
10	32223596	ASSEMBLY, BALL VALVE	1
11	96764758	SCREW	4
12	47863600003	PLATE	1
13	SS-01867	HOLE PLUG	1

MOISTURE SEPARATOR ASSEMBLY



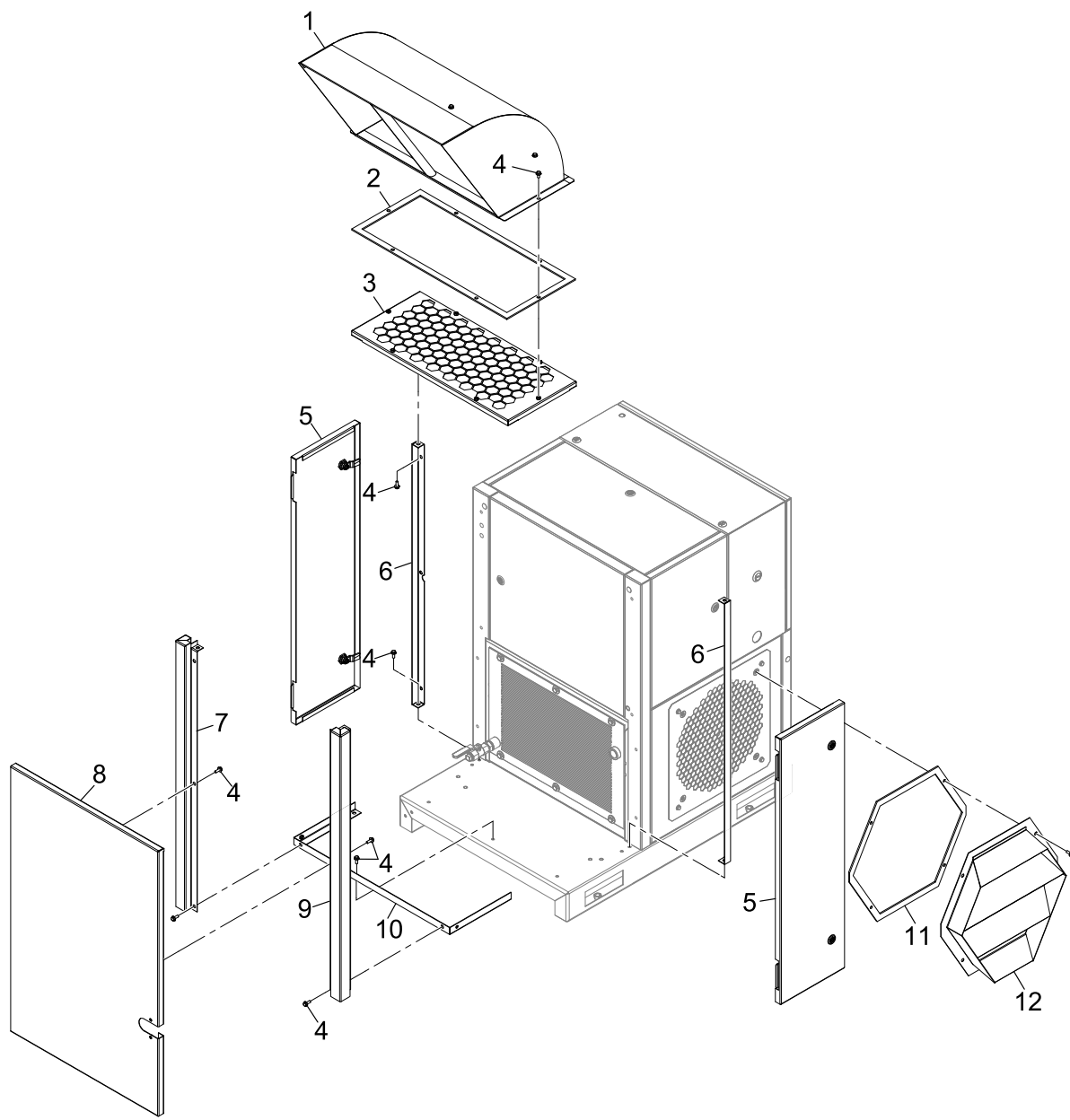
Item	Part No.	Description	Qty.
1	17933446	SEPARATOR, MOISTURE	1

SIDE DISCHARGE AND ODM ASSEMBLY



Item	Part No.	Description	Qty.
1	96704531	SCREW	4
2	47849031003	PANEL, PACKAGE EXHAUST	1
3	47849030001	GASKET	1
4	47737312001	GASKET	1
5	47733533003	PANEL, PACKAGE INTAKE (ODM)	1

TOP DISCHARGE AND ODM ASSEMBLY

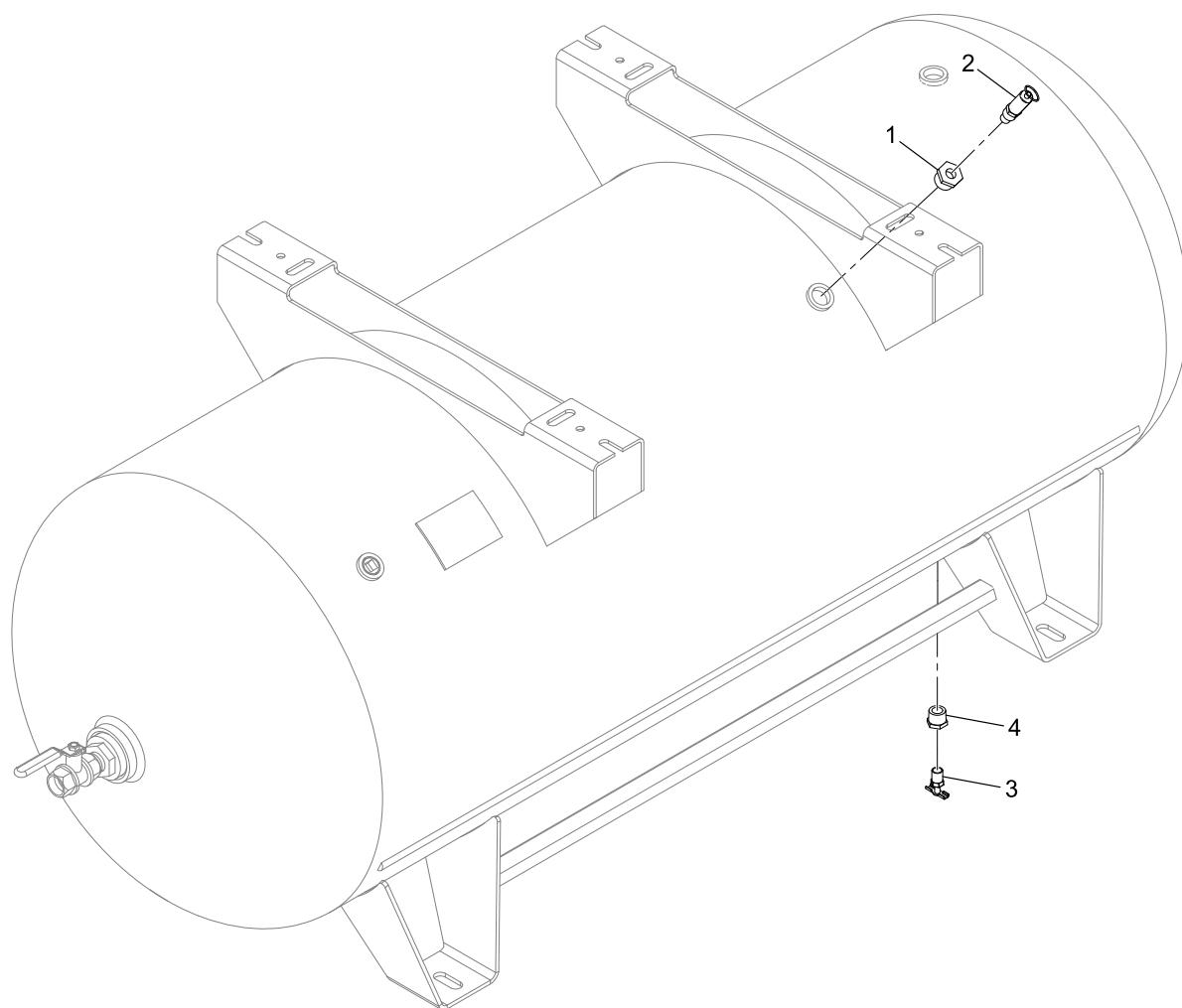


TOP DISCHARGE AND ODM ASSEMBLY

Item	Part No.	Description	Qty.
1	47848542003	ASSEMBLY, PANEL TOP EXHAUST	1
2	47848540001	GASKET	1
3	47848536003	*ASSEMBLY, TOP PANEL	1
	47848541003	*ASSEMBLY, TOP PANEL, ODM	1
4	96705058	SCREW	29
5	47846902003	*ASSEMBLY, PANEL SIDE DOOR	2
6	47846165003	ASSEMBLY, CORNER LEFT REAR	2
7	47856022003	CORNER, RIGHT TOP DISCHARGE	1
8	47848538003	*ASSEMBLY, PANEL FRONT DOOR,	1
9	47848535003	ASSEMBLY, CORNER, TOP DISCHARGE	1
10	47848534003	ASSEMBLY, BRACKET, TOP DISCHARGE	1
11	47737312001	GASKET	1
12	47733533003	PANEL, PACKAGE INTAKE	1

Note: * Includes sound attenuation foam.

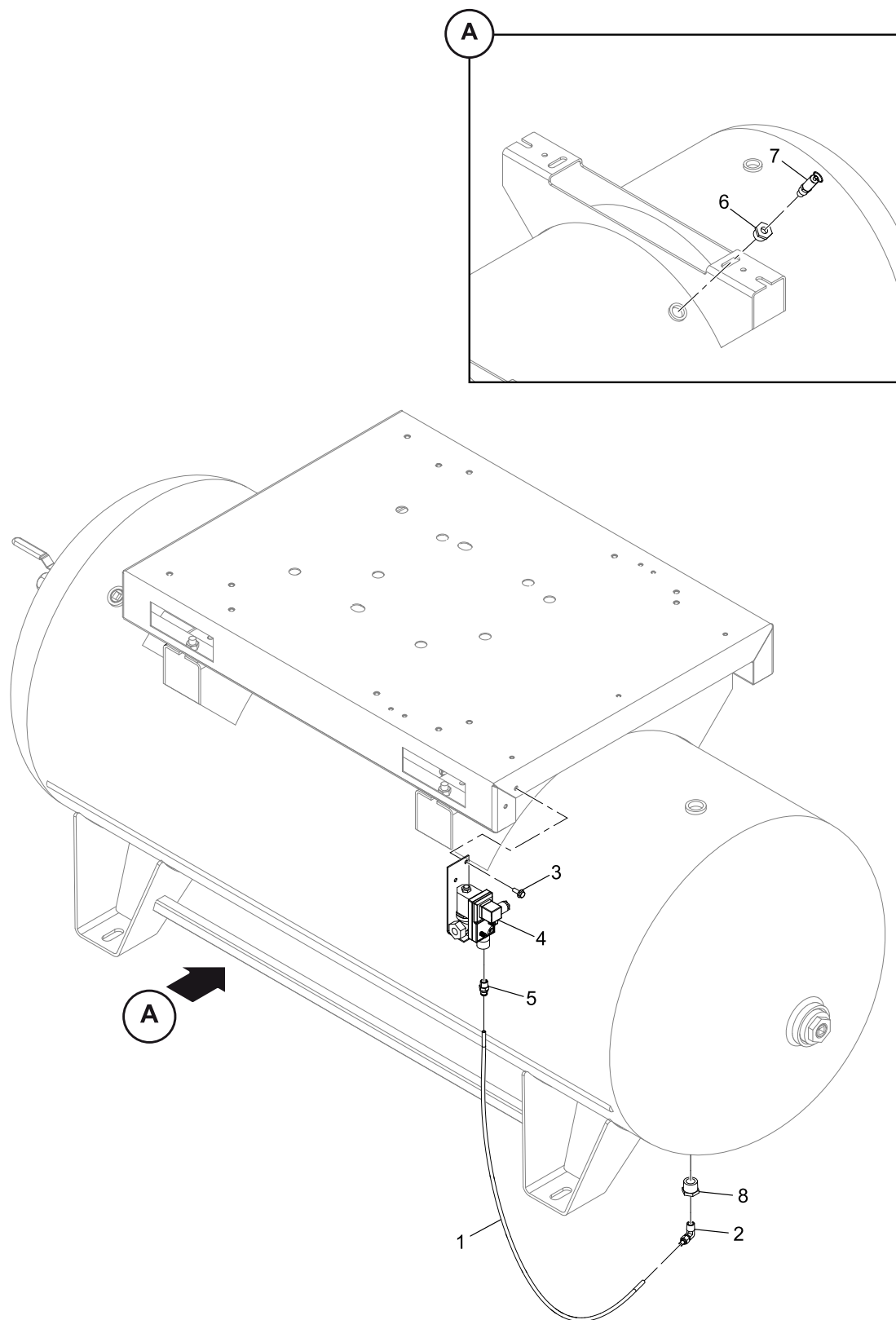
MANUAL DRAIN ASSEMBLY



MANUAL DRAIN ASSEMBLY

Item	Part No.	Description	Qty.
1	96966874	VALVE	1
2	31385693	VALVE-PRESSURE RELIEF, 200PSIG	1
	37106176	VALVE-PRESSURE RELIEF 1/4 X 160	1
	22052450	VALVE-PRESSURE RELIEF 225 PSI	1
3	32027120	VALVE, MANUAL DRAIN	1
4	95944625	BUSHING, REDUCER	1

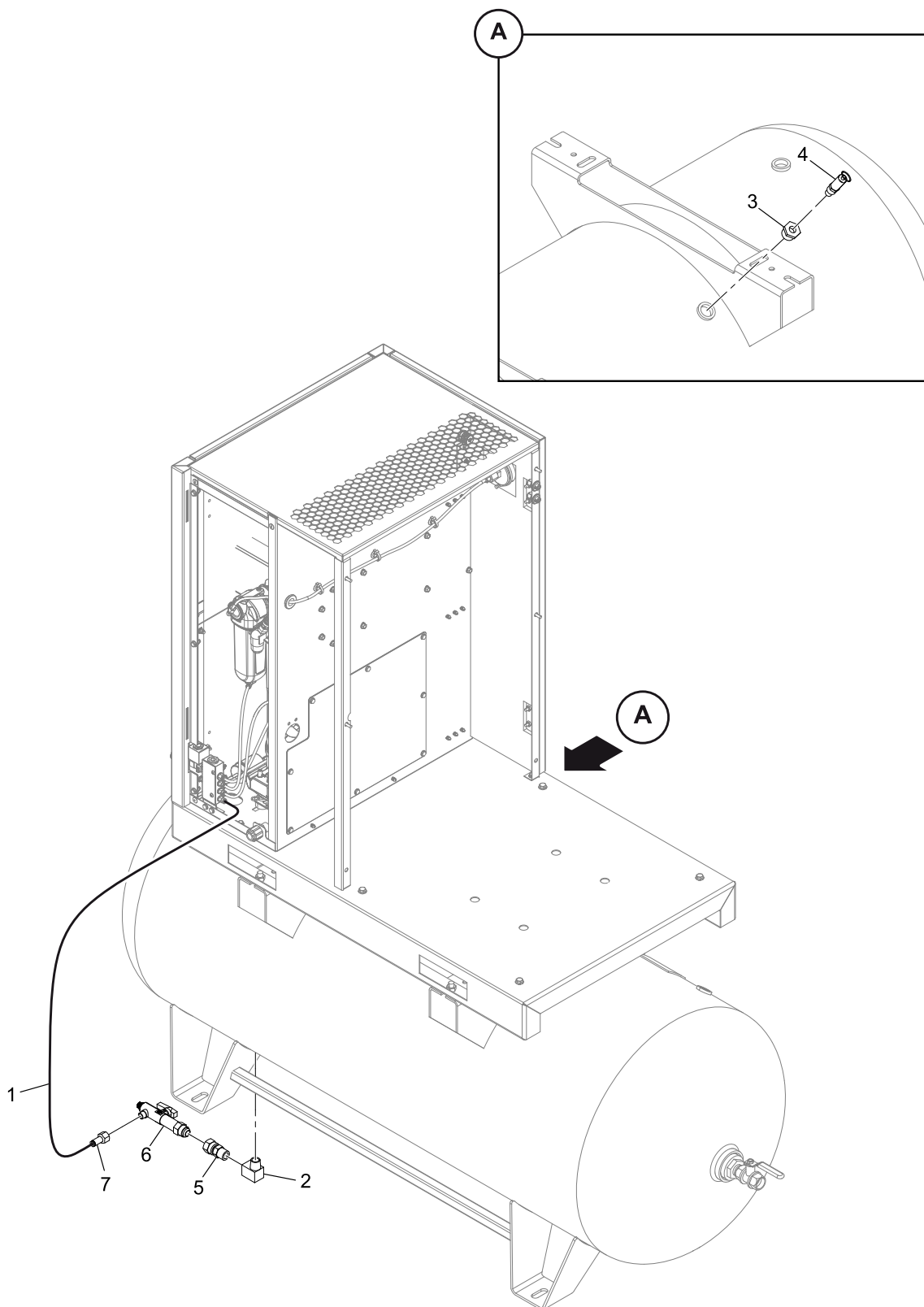
ELECTRONIC DRAIN ASSEMBLY (NON TAS WITH RECEIVER)



ELECTRONIC DRAIN ASSEMBLY (NON TAS WITH RECEIVER)

Item	Part No.	Description	Qty.
1	23452303	TUBE NYLON	0.87M
2	92067917	ELBOW	1
3	96704531	SCREW	2
4	47524504001	ASSEMBLY, SOLENOID DRAIN VALVE	1
5	22601371	CONNECTOR	1
6	96966874	BUSHING, REDUCER	1
7	31385693	VALVE-PRESSURE RELIEF, 200PSIG	1
	37106176	VALVE-PRESSURE RELIEF 1/4 X 160	1
	22052450	VALVE-PRESSURE RELIEF 225 PSI	1
8	95944625	BUSHING, REDUCER	1

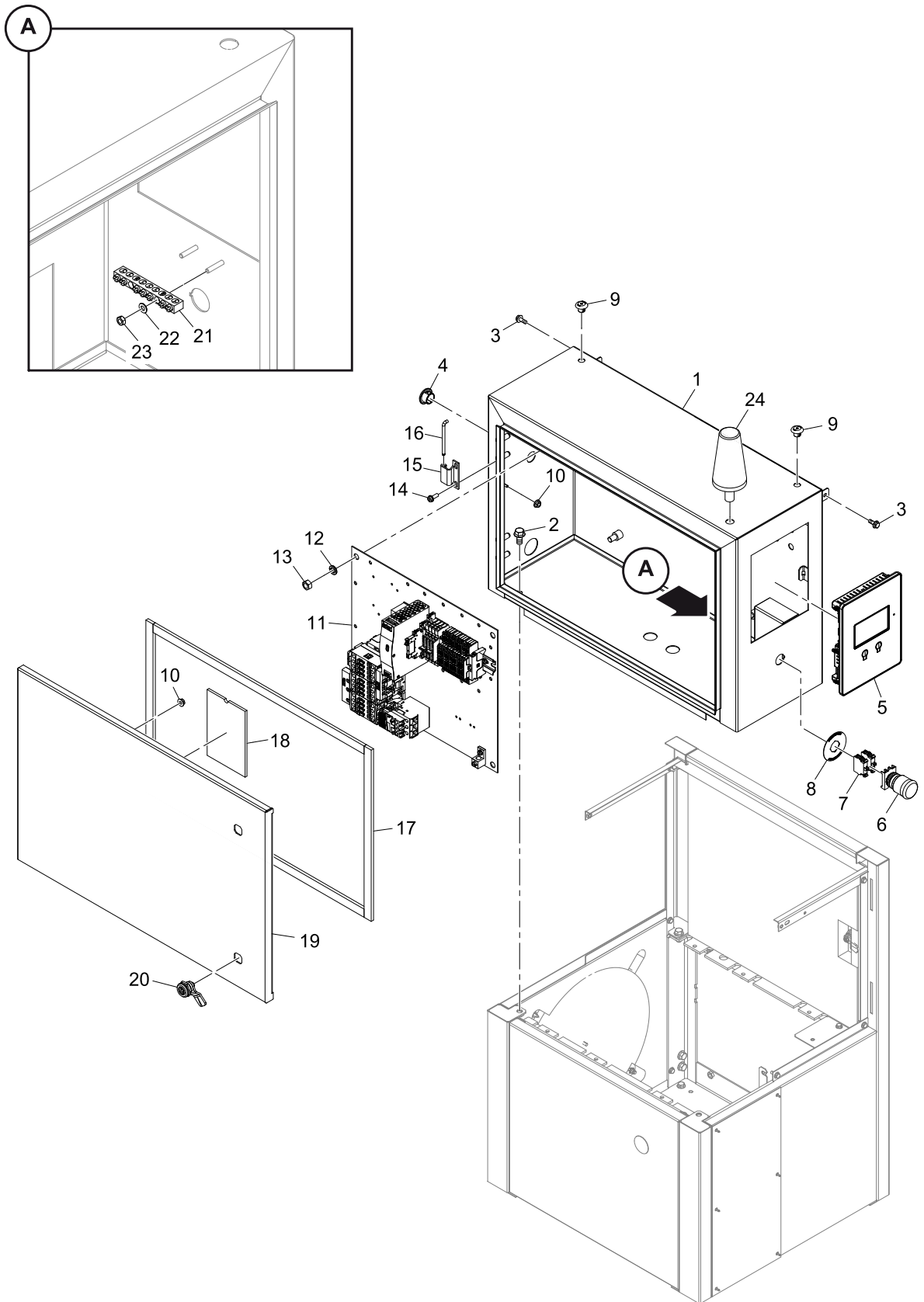
ELECTRONIC DRAIN ASSEMBLY (TAS WITH RECEIVER)



ELECTRONIC DRAIN ASSEMBLY (TAS WITH RECEIVER)

Item	Part No.	Description	Qty.
1	23452303	TUBE NYLON OD BLUE (TAS)	1.3M
2	16545998	ELBOW	1
3	96966874	BUSHING, REDUCER	1
4	31385693	VALVE, SAFETY RELIEF - 200PSIG	1
	37106176	VALVE SAFETY - 160PSIG	1
	22052450	VALVE SAFETY - 225PSIG	1
5	95989638	CONNECTOR	1
6	47588992001	VALVE, MANUAL DRAIN	1
7	39156443	CONNECTOR	1

STARTER BOX ASSEMBLY (FS - NEMA 4)



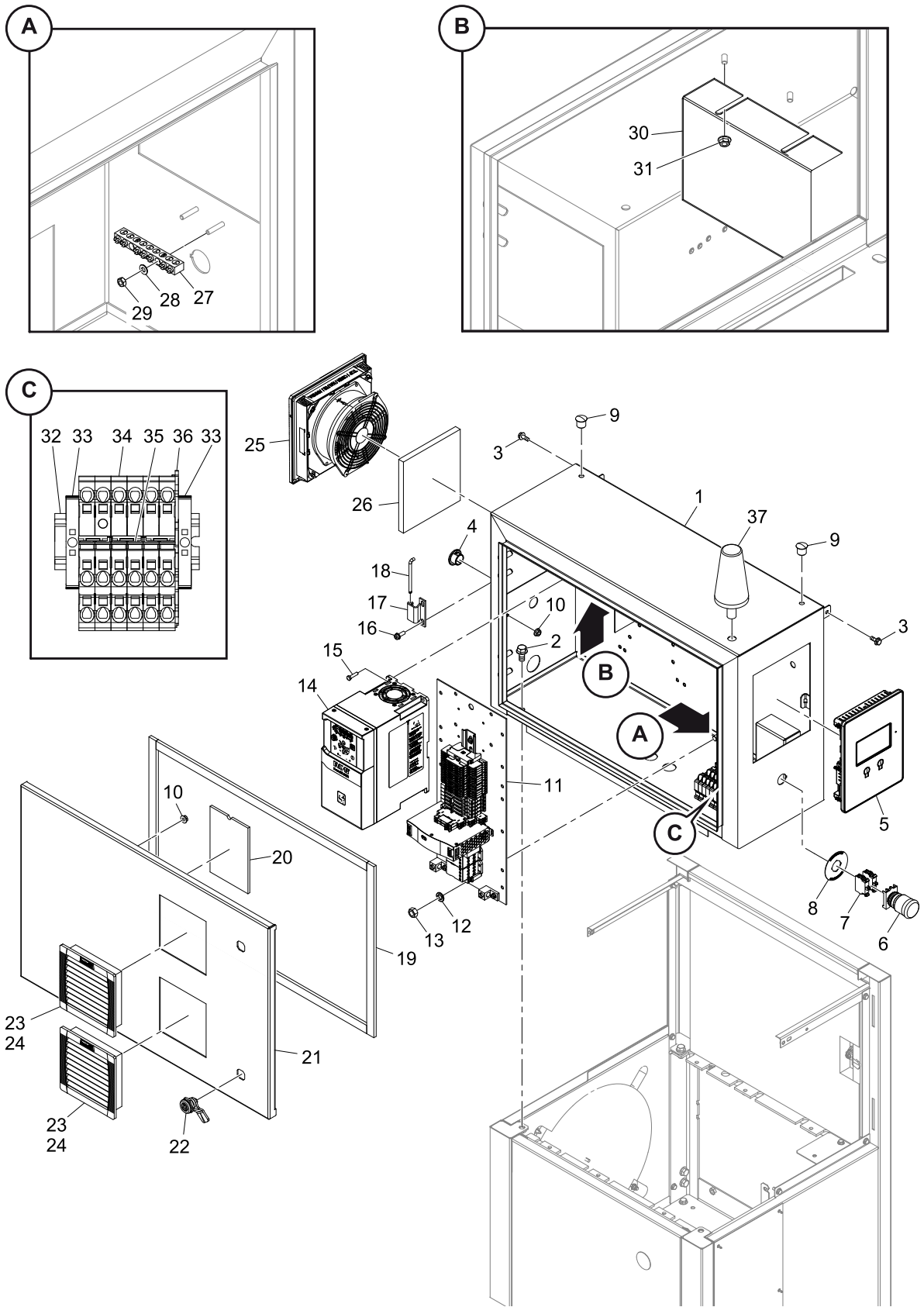
STARTER BOX ASSEMBLY (FS - NEMA 4)

Item	Part No.	Description	Qty.
1	47814732003	CABINET, CONTROL BOX	1
2	96737549	SCREW	2
3	96704531	SCREW	2
4	47732885001	PLUG CABLE, BLACK (HEYCO-C2070)	1
5	47915283001	CONTROLLER, XS-100	1
6	24CA7110	PUSH/PULL, ENGRAVED"EMERGENCY STOP	1
7	24CA7111	CONTACT BLOCK	2
8	24CA7533	PLATE, E-STOP LEGEND	1
9	47732876001	PLUG CABLE, BLACK (HEYCO-C2058)	2
10	47819886001	NUT	2
11	See Table 7, p. 67	ASSEMBLY, BACK PANEL	1
12	671HLHR10Z	LOCKWASHER	4
13	668RMCA10Z	NUT	4
14	24718223	SCREW	4
15	22159842	HINGE PIN HALF	2
16	93580140	HINGE PIN	2
18	47894761001	ENVELOPE, DOCUMENT SLEEVE	1
17	35140409	STRIP RUBBER SEAL	76 IN
19	47814906003	DOOR, STARTER BOX	1
20	23180565	LATCH DOOR	2
21	32342115	BUS, ALUMINIUM GROUNDING	1
22	96705165	WASHER	2
23	96703756	NUT	2
24	TEN016261	ANTENNA, BOLT MOUNT	1

Table 7. Alternate Parts

Application	Back panel Assembly (#11)
11kW, YD, 208/230V & 460V, 60HZ	47822919001
11kW, YD, 575V	47830043001
7.5kW, YD, 208/230V & 460V	47830044001
7.5kW, YD, 575V	47830045001
4kW, DOL, 208/230V & 460V	47830049001
5.5kW, DOL, 208/230V & 460V	47830050001
4-5.5kW, DOL, 575V	47830382001

STARTER BOX ASSEMBLY (FS, 1 PHASE - NEMA 12)



STARTER BOX ASSEMBLY (FS, 1 PHASE - NEMA 12)

Item	Part No.	Description	Qty.
1	47822587003	CABINET, CONTROL BOX	1
2	96737549	SCREW	2
3	96704531	SCREW	2
4	47732885001	PLUG CABLE, BLACK (HEYCO-C2070)	1
5	47915283001	CONTROLLER, XS-100	1
6	24CA7110	PUSH/PULL, ENGRAVED"EMERGENCY STOP	1
7	24CA7111	CONTACT BLOCK	2
8	24CA7533	PLATE, E-STOP LEGEND	1
9	SS-01864	PLUG, HOLE	2
10	47819886001	NUT	2
11	47875906001	ASSEMBLY, BACK PANEL	1
12	671HLHR10Z	WASHER	2
13	668RMCA10Z	NUT	2
14	See Table 8, p. 70	3PH CONVERTER	1
15	96705736	BOLT	4
16	24718223	SCREW	4
17	22159842	HINGE PIN HALF	2
18	93580140	HINGE PIN	2
19	35140409	STRIP RUBBER SEAL	77 IN
20	47894761001	ENVELOPE, DOCUMENT SLEEVE	1
21	47822588003	DOOR, STARTER BOX	1
22	23180565	LATCH DOOR	2
23	ZS1092480	FILTER	2
**24	ZS1062472	FILTER PAD	2
25	47894499001	FILTER, FAN	1
26	47895908001	FILTER ELEMENT	1
27	32342115	BUS, ALUMINIUM GROUNDING	1
28	96705165	WASHER	2
29	96703756	NUT	2
30	47875360001	CABINET, DUCT CONTROL	1
31	96752589	NUT	2
32	23464530	RAIL	A/R
33	47601728001	STOP, TERMINAL	2
34	47848487001	TERMINAL BLOCK	6
35	47848489001	JUMPER BAR, 2 POLE	3
36	47848488001	TERMINAL END SECTION COVER	1
37	TEN016261	ANTENNA, BOLT MOUNT	1
**	47903076001	LABEL, CAUTION VFD GROUNDING SYSTEM	1
**	47897866001	PARAMETERS, DRIVE, 1PHASE	1
**	NOT ILLUSTRATED		
A/R	AS REQUIRED		

STARTER BOX ASSEMBLY (FS, 1 PHASE - NEMA 12)

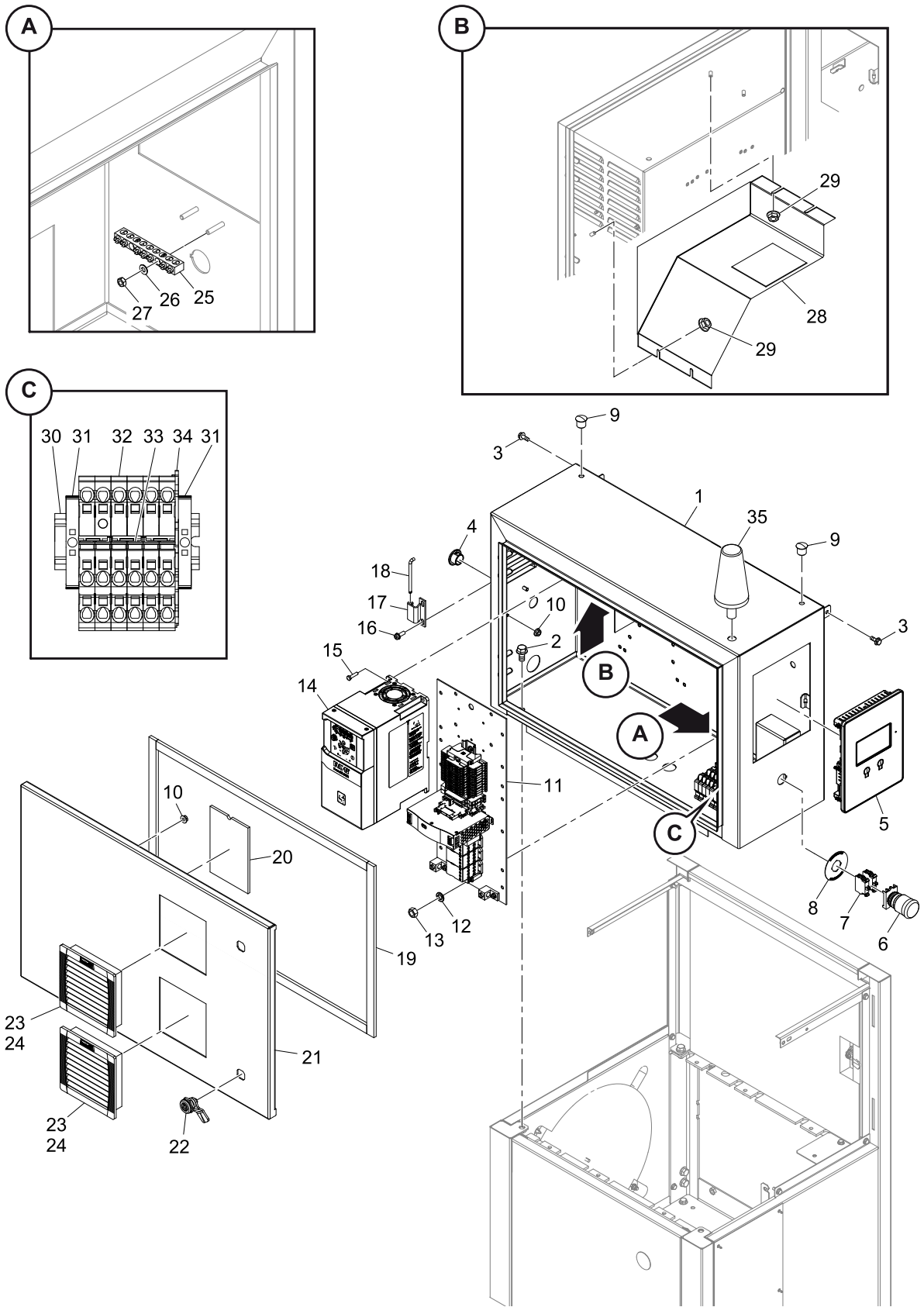
Table 8. Alternate Parts

Application	3PH Converter (#14)
4KW, 208/230V-1PH	47916733001
5KW, 208/230V-1PH	47916735001
7KW, 208/230V-1PH	47916736001

STARTER BOX ASSEMBLY (FS, 1 PHASE - NEMA 12)

PAGE INTENTIONALLY LEFT BLANK

STARTER BOX ASSEMBLY (VSD - NEMA 1)



STARTER BOX ASSEMBLY (VSD - NEMA 1)

Item	Part No.	Description	Qty.
1	47897887003	CABINET, CONTROL BOX	1
2	96737549	SCREW	2
3	96704531	SCREW	2
4	47732885001	PLUG CABLE, BLACK (HEYCO-C2070)	1
5	47915283001	CONTROLLER, XS-100	1
6	24CA7110	PUSH/PULL, ENGRAVED"EMERGENCY STOP	1
7	24CA7111	CONTACT BLOCK	2
8	24CA7533	PLATE, E-STOP LEGEND	1
9	SS-01864	PLUG, HOLE	2
10	47819886001	NUT	2
11	See Table 9, p. 74	ASSEMBLY, BACK PANEL	1
12	671HLHR10Z	WASHER	2
13	668RMCA10Z	NUT	2
14	See Table 10, p. 74	DRIVE, VARIABLE SPEED / 3PH CONVERTER	1
15	96705736	BOLT	4
16	24718223	SCREW	4
17	22159842	HINGE PIN HALF	2
18	93580140	HINGE PIN	2
19	35140409	STRIP RUBBER SEAL	77 IN
20	47894761001	ENVELOPE, DOCUMENT SLEEVE	1
21	47897886003	DOOR, STARTER BOX	1
22	23180565	LATCH DOOR	2
23	ZS1092480	FILTER	2
**24	ZS1062472	FILTER PAD	2
25	32342115	BUS, ALUMINIUM GROUNDING	1
26	96705165	WASHER	2
27	96703756	NUT	2
28	47815413001	CABINET, DUCT CONTROL	1
29	96752589	NUT	2
30	23464530UCV	RAIL	A/R
31	47601728001	STOP, TERMINAL	2
32	47848487001	TERMINAL BLOCK	6
33	47848489001	JUMPER BAR, 2 POLE	3
34	47848488001	TERMINAL END SECTION COVER	1
35	TEN016261	ANTENNA, BOLT MOUNT	1
**	313AUX6028	KIT - VFD CONTROL PANEL TEMP MONITORING	1
**	47903076001	LABEL, CAUTION VFD GROUNDING SYSTEM	1
**	47897865001	PARAMETERS, DRIVE, 3PHASE	1
**	47897866001	PARAMETERS, DRIVE, 1PHASE	1
**	NOT ILLUSTRATED		
A/R	AS REQUIRED		

STARTER BOX ASSEMBLY (VSD - NEMA 1)**Table 9. Alternate Parts**

Application	Back panel Assembly (#11)
5.5 - 11KW, 208/230V & 460V, 3PH	47823684001
5.5 - 11KW, 575V, 3PH	47849132001
4-7.5KW, 208/230V, 1PH	47875906001

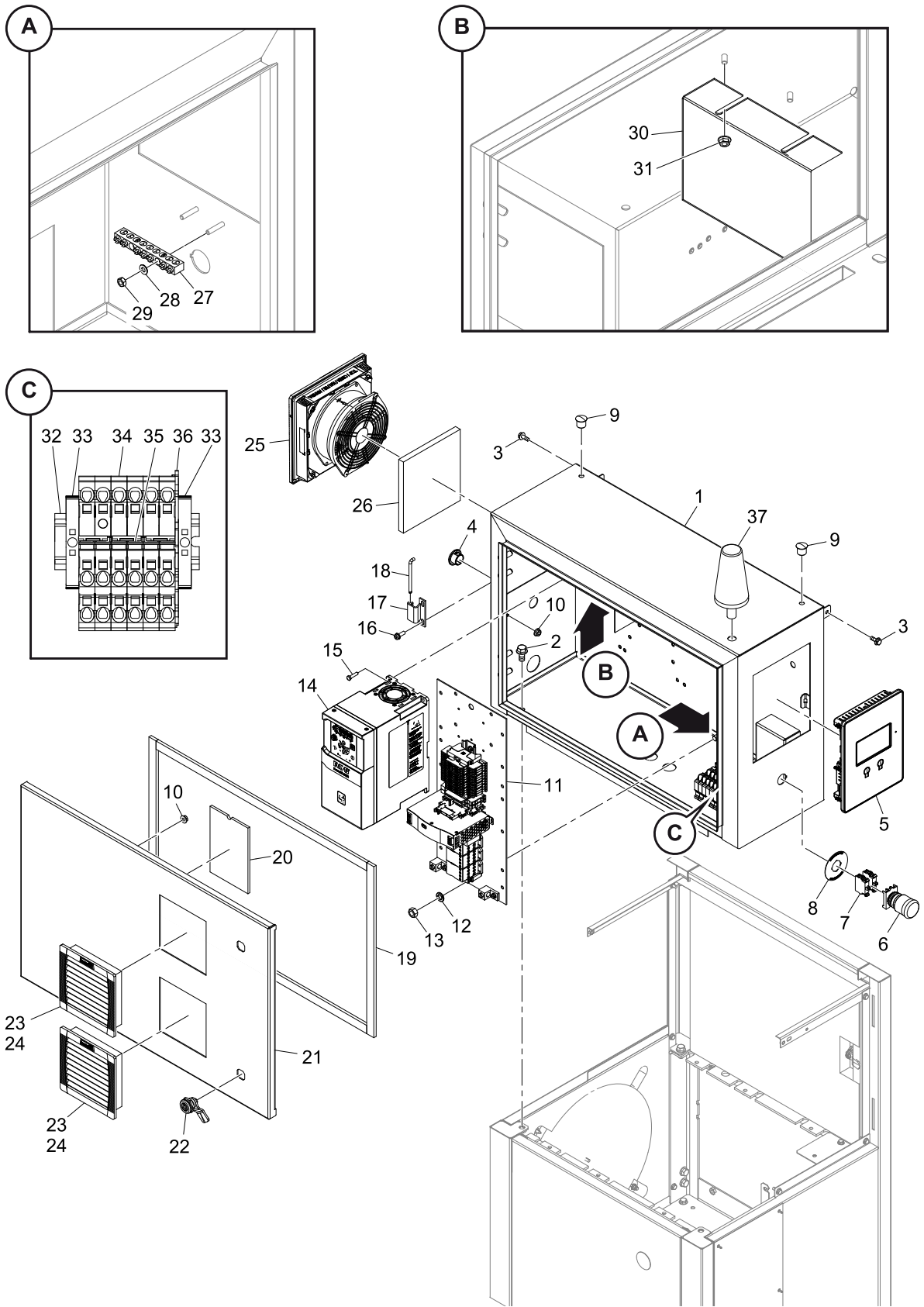
Table 10. Alternate Parts

Application	Drive, Variable Speed / 3PH Converter (#14)
5.5KW, 575V, 50/60HZ, NEMA1	47826387001
5.5KW, 208/230V, 50/60HZ, NEMA1	47826223001
5.5KW, 460V, 50/60HZ, NEMA1	47826384001
7.5KW, 575V, 50/60HZ, NEMA1	47826365001
7.5KW, 208/230V, 50/60HZ, NEMA1	47815409001
7.5KW, 460V, 50/60HZ, NEMA1	47826385001
11KW, 460V, 50/60HZ, NEMA1	47826362001
11KW, 575V, 50/60HZ, NEMA1	47826220001
11KW, 208/230V, 50/60HZ, NEMA1	47826077001
4KW, 1PH, 208/230V, 50/60HZ, NEMA1	47916733001
5.5KW, 1PH, 208/230V, 60HZ, NEMA1	47916735001
7.5KW, 1PH, 208/230V, 60HZ, NEMA1	47916736001

STARTER BOX ASSEMBLY (VSD - NEMA 1)

PAGE INTENTIONALLY LEFT BLANK

STARTER BOX ASSEMBLY (VSD - NEMA 12)



STARTER BOX ASSEMBLY (VSD - NEMA 12)

Item	Part No.	Description	Qty.
1	47822587003	CABINET, CONTROL BOX	1
2	96737549	SCREW	2
3	96704531	SCREW	2
4	47732885001	PLUG CABLE, BLACK (HEYCO-C2070)	1
5	47915283001	CONTROLLER, XS-100	1
6	24CA7110	PUSH/PULL, ENGRAVED"EMERGENCY STOP	1
7	24CA7111	CONTACT BLOCK	2
8	24CA7533	PLATE, E-STOP LEGEND	1
9	SS-01864	PLUG, HOLE	2
10	47819886001	NUT	2
11	See Table 11, p. 78	ASSEMBLY, BACK PANEL	1
12	671HLHR10Z	WASHER	2
13	668RMCA10Z	NUT	2
14	See Table 12, p. 78	DRIVE, VARIABLE SPEED / 3PH CONVERTER	1
15	96705736	BOLT	4
16	24718223	SCREW	4
17	22159842	HINGE PIN HALF	2
18	93580140	HINGE PIN	2
19	35140409	STRIP RUBBER SEAL	77 IN
20	47894761001	ENVELOPE, DOCUMENT SLEEVE	1
21	47822588003	DOOR, STARTER BOX	1
22	23180565	LATCH DOOR	2
23	ZS1092480	FILTER	2
**24	ZS1062472	FILTER PAD	2
25	47894499001	FILTER, FAN	1
26	47895908001	FILTER ELEMENT	1
27	32342115	BUS, ALUMINIUM GROUNDING	1
28	96705165	WASHER	2
29	96703756	NUT	2
30	47875360001	CABINET, DUCT CONTROL	1
31	96752589	NUT	2
32	23464530	RAIL	A/R
33	47601728001	STOP, TERMINAL	2
34	47848487001	TERMINAL BLOCK	6
35	47848489001	JUMPER BAR, 2 POLE	3
36	47848488001	TERMINAL END SECTION COVER	1
37	TEN016261	ANTENNA, BOLT MOUNT	1
**	313AUX6028	KIT - VFD CONTROL PANEL TEMP MONITORING	1
**	47903076001	LABEL, CAUTION VFD GROUNDING SYSTEM	1
**	47897865001	PARAMETERS, DRIVE, 3PHASE	1
**	NOT ILLUSTRATED		
A/R	AS REQUIRED		

STARTER BOX ASSEMBLY (VSD - NEMA 12)**Table 11. Alternate Parts**

Application	Back panel Assembly (#11)
5.5 - 11KW, 208/230V & 460V, 3PH	47823684001
5.5 - 11KW, 575V, 3PH	47849132001
4-5.5KW, 208/230V, 1PH	47875906001

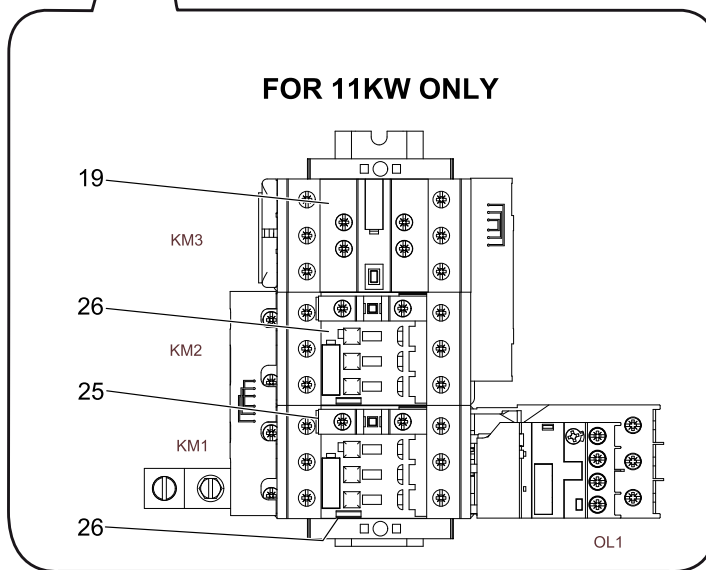
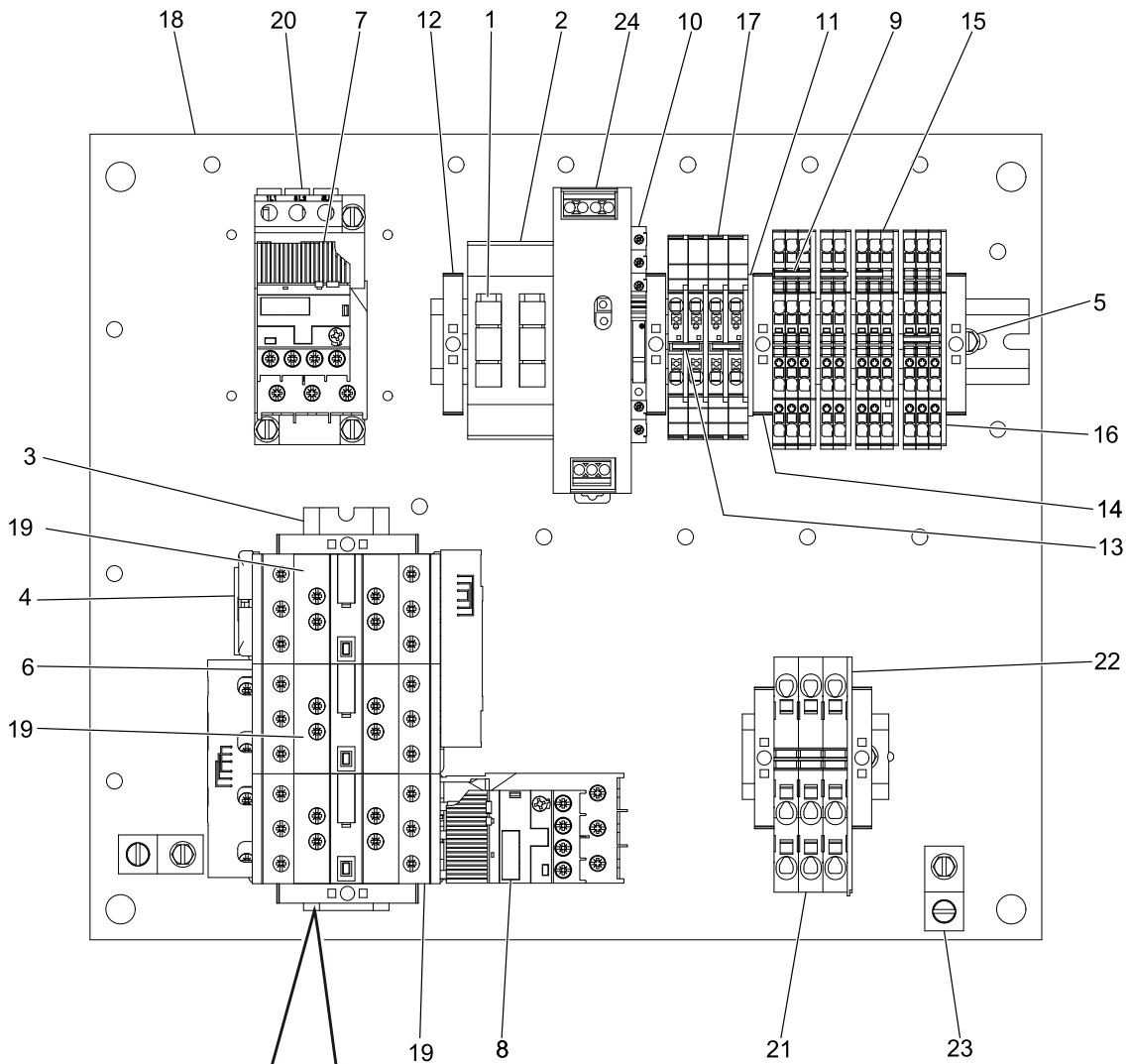
Table 12. Alternate Parts

Application	Drive, Variable Speed / 3PH Converter (#14)
5.5KW, 575V, 50/60HZ, NEMA12	47826387001
5.5KW, 208/230V, 50/60HZ, NEMA12	47826223001
5.5KW, 460V, 50/60HZ, NEMA12	47826384001
7.5KW, 575V, 50/60HZ, NEMA12	47826365001
7.5KW, 208/230V, 50/60HZ, NEMA12	47815409001
7.5KW, 460V, 50/60HZ, NEMA12	47826385001
11KW, 460V, 50/60HZ, NEMA12	47826362001
11KW, 575V, 50/60HZ, NEMA12	47826220001
11KW, 208/230V, 50/60HZ, NEMA12	47826077001
4KW, 1PH, 208/230V, 50/60HZ, NEMA1	47916733001
5.5KW, 1PH, 208/230V, 60HZ, NEMA1	47916735001
7.5KW, 1PH, 208/230V, 60HZ, NEMA1	47916736001

STARTER BOX ASSEMBLY (VSD - NEMA 12)

PAGE INTENTIONALLY LEFT BLANK

BACK PANEL ASSEMBLY - FS (YD, 7.5-11KW 208/230V, 460V)



BACK PANEL ASSEMBLY - FS (YD, 7.5–11KW 208/230V, 460V)

Item	Part No.	Description	Qty.
1	22085914	FUSE, 6A	2
2	22505788	HOLDER, FUSE 2-POLE	1
3	23464530	RAIL	480 MM
4	24730202	KIT, CONNECTION, YD STARTERS (ABB BEY38-4)	1
5	35252279	SCREW	11
6	47499662001	INTERLOCK, MECHANICAL	1
7	See Table 13, p. 81	RELAY	1
8	See Table 13, p. 81	RELAY	1
9	47520661001	JUMPER, TERMINAL 3-POLE	1
10	47525200001	RELAY, INTERFACE 24 VDC ULTRA SENSITIVE COIL	1
11	47601727001	PLATE, TERMINAL END	1
12	47601728001	STOP, TERMINAL	8
13	47601730001	JUMPER, TERMINAL	5
14	47601732001	TERMINAL, 2LEVEL	10
15	47601734001	TERMINAL, 2LEVEL	1
16	47601735001	PLATE, TERMINAL END	4
17	47629334001	TERMINAL	4
18	47815411001	PANEL, BACK FS SHEET METAL	1
19	47823125001	CONTACTOR	See Table 13, p. 81
20	47830383001	KIT, MOUNTING OVER LOAD RELAY	1
21	47848487001	TERMINAL BLOCK, FEED THROUGH, PI SPRING	3
22	47848488001	TERMINAL END SECTION COVER	1
23	24CA7881	LUG, GROUND	2
24	24CA8362	POWER SUPPLY, 60W, 180-550VAC	1
25	24474124	CONTACT, AUX 1N/C FRONT MOUNT	2
26	47719133001	CONTACTOR	2

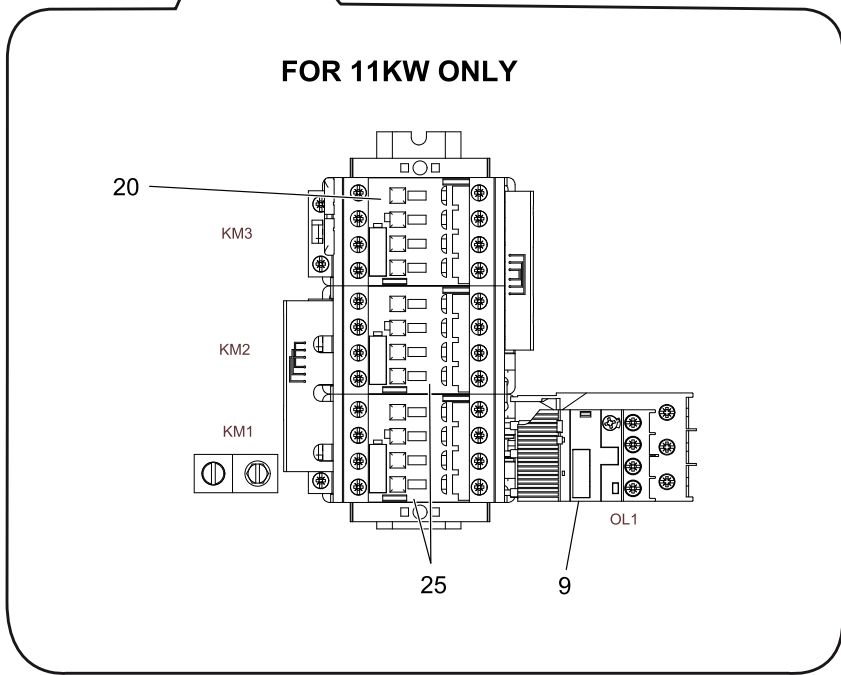
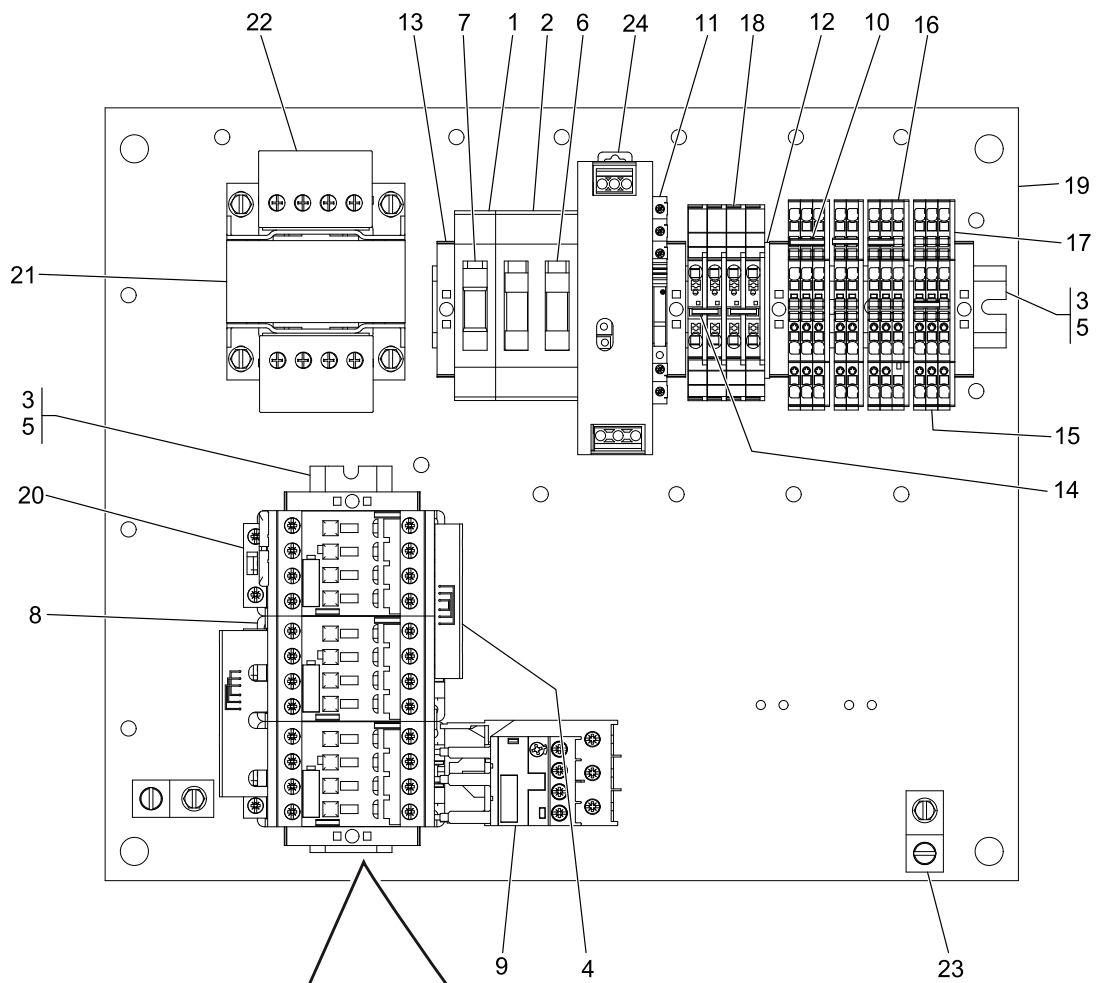
Table 13. Alternate Parts

Application	Relay, 460V (#7)	Relay, 208/230V (#8)	Contact (#19)	Contact (#25)	Contact (#26)
7.5KW	47499681001 (Qty. 1)	47499684001 (Qty. 1)	47823125001 (Qty. 3)	-	-
11KW	47504390001 (Qty. 1)	47505664001 (Qty. 1)	47823125001 (Qty. 1)	24474124 (Qty. 2)	47719133001 (Qty. 2)

Note: Fixed Speed Tri-Voltage Conversion - The 208, 230 and 460V units utilize a tri-voltage motor and can be converted in the field by changing the wiring connections. Please refer to the electrical schematics for correct wiring changes. The unit voltage must be relabelled at the nameplate to indicate the new voltage.

To convert the 208/230V back panel assembly into 460V, please replace the 208/230V overload relay with the 460V over load relay. The 460V overload relay installed on the relay mounting kit.

BACK PANEL ASSEMBLY - FS (YD, 7.5/11KW 575V)



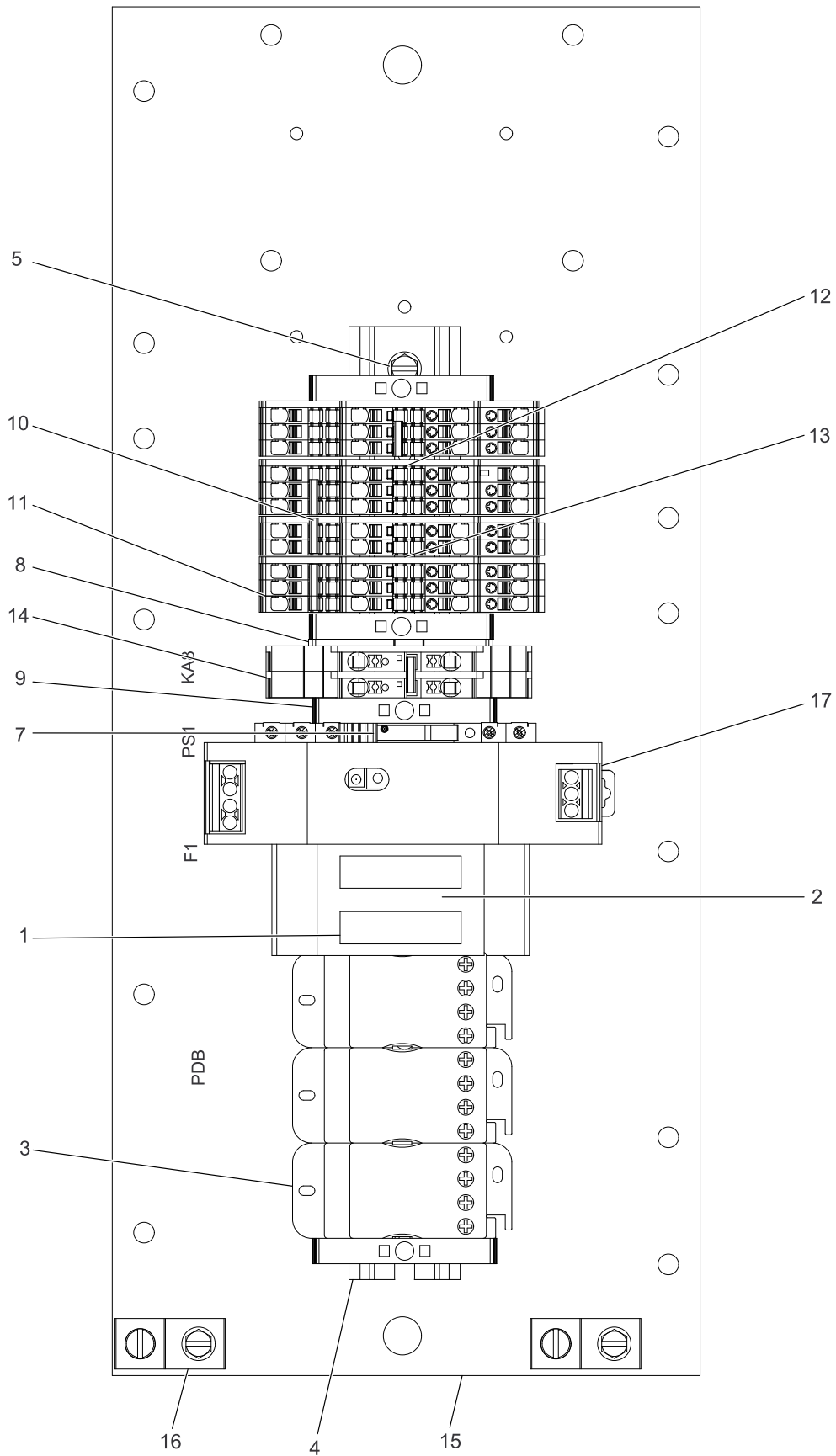
BACK PANEL ASSEMBLY - FS (YD, 7.5/11KW 575V)

Item	Part No.	Description	Qty.
1	22477152	HOLDER, 1-POLE FUSE	1
2	22505788	HOLDER, FUSE 2-POLE	1
3	23464530	RAIL	420 MM
4	24730186	KIT, CONNECTION	1
5	35252279	SCREW	10
6	39193289	FUSE. 600 VOLTS. 1 AMP	2
7	56277510	FUSE, 1.6 AMP 600 VOLT CLASS CC TIME DELAY	1
8	47499662001	INTERLOCK, MECHANICAL	1
9	See Table 14, p. 83	RELAY	1
10	47520661001	JUMPER, TERMINAL 3-POLE	1
11	47525200001	RELAY, INTERFACE 24 VDC ULTRA SENSITIVE COIL	1
12	47601727001	PLATE, TERMINAL END	1
13	47601728001	STOP, TERMINAL	6
14	47601730001	JUMPER, TERMINAL	5
15	47601732001	TERMINAL, 2LEVEL	10
16	47601734001	TERMINAL, 2LEVEL	1
17	47601735001	PLATE, TERMINAL END, 2LEVEL	4
18	47629334001	TERMINAL, 1000V	4
19	47815411001	PANEL	1
20	47826415001	CONTACTOR, AF09, 1N/C AUX	3
21	47827141001	TRANSFORMER 100VA, 480V/600V	1
22	47830590001	COVER	2
23	24CA7881	LUG, GROUND	2
24	TEN010466	POWER SUPPLY, 75W, 90-264VAC	1
25	47823126001	CONTACTOR	2

Table 14. Alternate Parts

Application	Relay (#9)
7.5KW	47499663001
11KW	47499681001

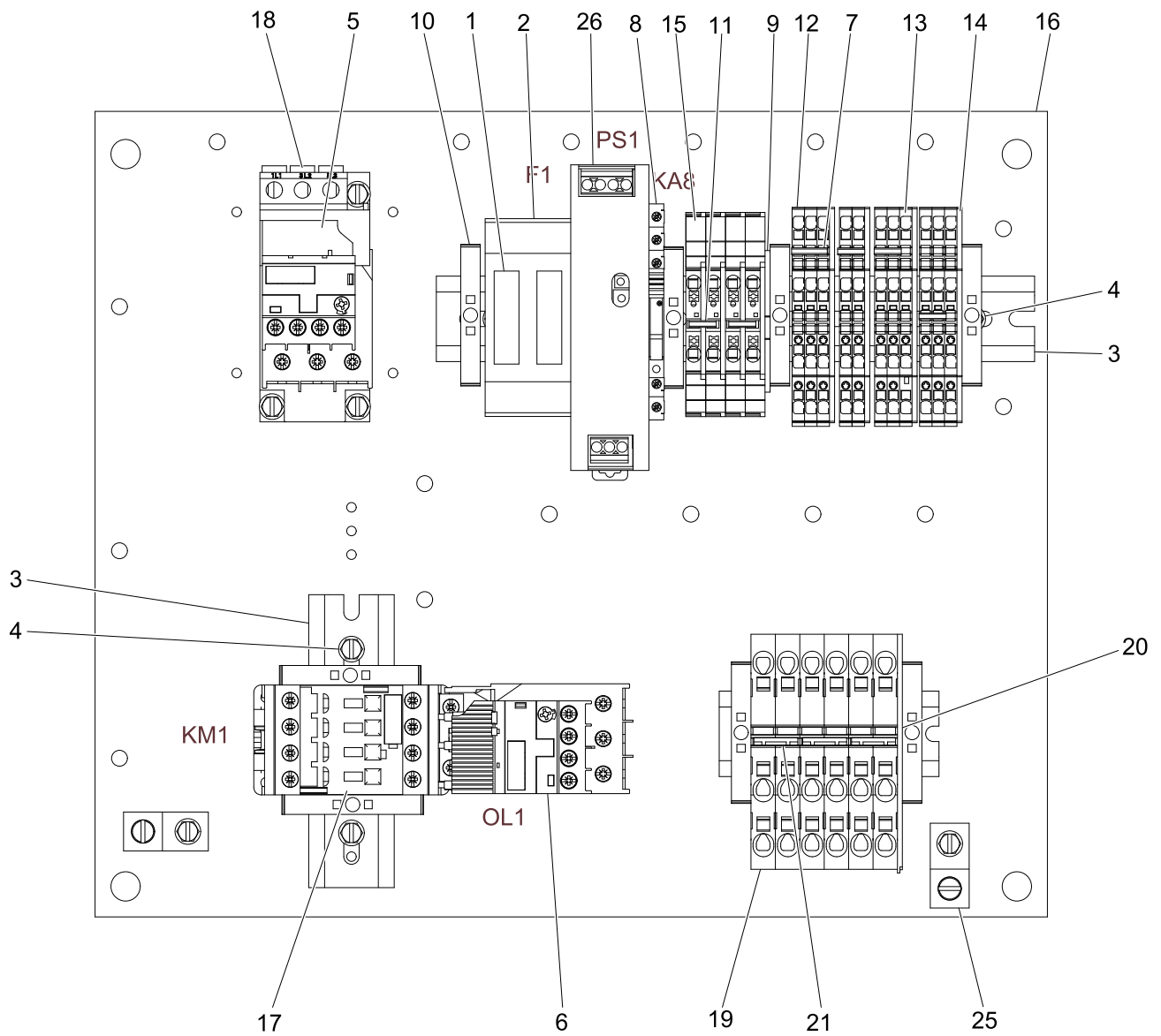
BACK PANEL ASSEMBLY - FS (1-PH, 4/5.5/7.5KW 208/230V)



BACK PANEL ASSEMBLY - FS (1-PH, 4/5.5/7.5KW 208/230V)

Item	Part No.	Description	Qty.
1	22085914	FUSE, 6A	2
2	22505788	HOLDER, FUSE 2-POLE (FINGER SAFE)	1
3	23056328	BLOCK, POWER	3
4	23464530	RAIL	1
5	35252279	SCREW	5
6	47520661001	JUMPER, TERMINAL	3
7	47525200001	RELAY, INTERFACE	2
8	47601727001	PLATE, TERMINAL END	1
9	47601728001	STOP, TERMINAL	3
10	47601730001	JUMPER, TERMINAL	4
11	47601732001	TERMINAL, 2LEVEL	11
12	47601734001	TERMINAL, 2LEVEL	1
13	47601735001	PLATE, TERMINAL END, 2LEVEL	4
14	47629334001	TERMINAL, 1000V	5
15	47823806001	PANEL, BACK VS SHEET METAL	1
16	24CA7881	LUG, GROUND	2
17	24CA8362	POWER SUPPLY, 60W, 180-550VAC, 24-29VDC	1

BACK PANEL ASSEMBLY - FS (DOL, 4-5.5KW 208/230V, 460V)



BACK PANEL ASSEMBLY - FS (DOL, 4-5.5KW 208/230V, 460V)

Item	Part No.	Description	Qty.
1	22085914	FUSE, KLTR, 6A, 600 VAC	2
2	22505788	HOLDER, FUSE 2-POLE	1
3	23464530	RAIL	475 MM
4	35252279	SCREW	11
5	See Table 15, p. 87	RELAY	1
6	See Table 15, p. 87	RELAY	1
7	47520661001	JUMPER, TERMINAL 3-POLE	1
8	47525200001	RELAY, INTERFACE 24 VDC ULTRA SENSITIVE COIL	1
9	47601727001	PLATE, TERMINAL END	1
10	47601728001	STOP, TERMINAL	8
11	47601730001	JUMPER, TERMINAL	5
12	47601732001	TERMINAL, 2LEVEL	10
13	47601734001	TERMINAL, 2LEVEL	1
14	47601735001	PLATE, TERMINAL END, 2LEVEL	4
15	47629334001	TERMINAL, 1000V	4
16	47815411001	PANEL, BACK FS SHEET METAL	1
17	See Table 15, p. 87	CONTACTOR	1
18	47830383001	KIT, MOUNTING OVER LOAD RELAY	1
19	47848487001	TERMINAL BLOCK, FEED THROUGH	6
20	47848488001	TERMINAL END SECTION COVER	1
21	47848489001	JUMPER BAR, 2 POLE	3
22	24CA7881	LUG, GROUND	2
23	24CA8362	POWER SUPPLY, 60W, 180-550VAC	1

Table 15. Alternate Parts

Application	Relay, 460V (#5)	Relay, 208/230V (#6)	Contactors (#17)
4KW	47499681001	47526211001	47826386001
5.5KW	47499681001	47505664001	47823125001

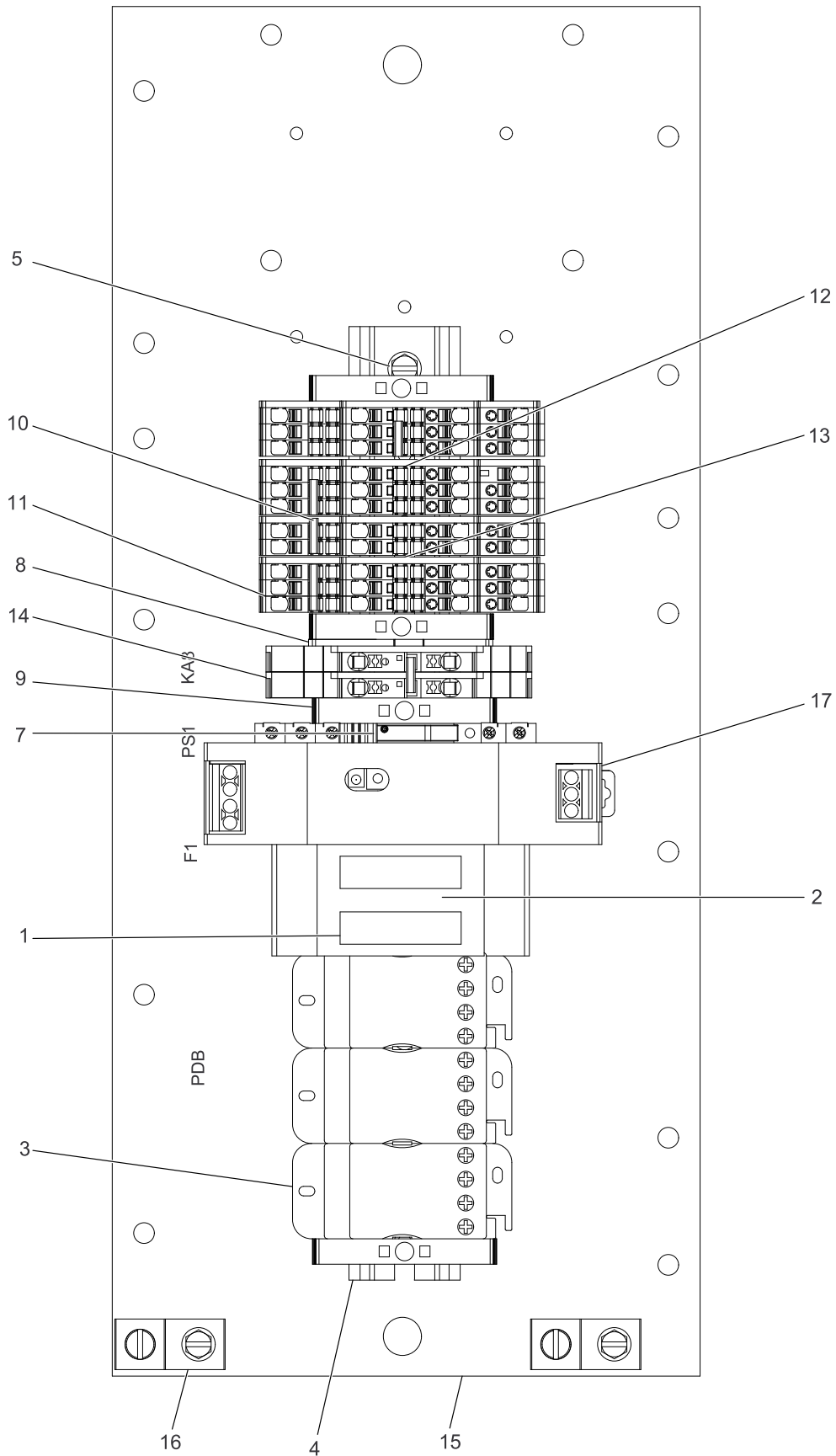
Note: Fixed Speed Tri-Voltage Conversion - The 208, 230 and 460V units utilize a tri-voltage motor and can be converted in the field by changing the wiring connections. Please refer to the electrical schematics for correct wiring changes. The unit voltage must be relabelled at the nameplate to indicate the new voltage.

To convert the 208/230V back panel assembly into 460V, please replace the 208/230V overload relay with the 460V over load relay. The 460V overload relay installed on the relay mounting kit.

BACK PANEL ASSEMBLY - FS (DOL, 4-5.5KW 575V)

Item	Part No.	Description	Qty.
1	22477152	HOLDER, 1-POLE FUSE	1
2	22505788	HOLDER, FUSE 2-POLE	1
3	23464530	RAIL	370MM
4	35252279	SCREW	10
5	39193289	FUSE. 600 VOLTS. 1 AMP	2
6	56277510	FUSE, 1.6 AMP 600 VOLT CLASS CC TIME DELAY	1
7	47499663001	RELAY, O/L 5.70-7.60A	1
8	47520661001	JUMPER, TERMINAL 3-POLE	1
9	47525200001	RELAY, INTERFACE 24 VDC ULTRA SENSITIVE COIL, 1X C/O CONTACT	1
10	47601727001	PLATE, TERMINAL END	1
11	47601728001	STOP, TERMINAL	6
12	47601730001	JUMPER, TERMINAL, 4/2 - 32A	5
13	47601732001	TERMINAL, 2LEVEL	10
14	47601734001	TERMINAL, 2LEVEL	1
15	47601735001	PLATE, TERMINAL END, 2LEVEL	4
16	47629334001	TERMINAL, 1000V	4
17	47815411001	PANEL, BACK FS SHEET METAL	1
18	47823126001	CONTACTOR, AF12, 1NC AUX	1
19	47827141001	TRANSFORMER 100VA, 480V/600V	1
20	47830590001	COVER, FINGER SAFE, TRANSFORMER 100VA	2
21	24CA7881	LUG, GROUND	2
22	TEN010466	POWER SUPPLY, 75W, 90-264VAC	1

BACK PANEL ASSEMBLY - VSD (5.5–11KW 208/230V, 460V & 4–7.5KW 208/230V)



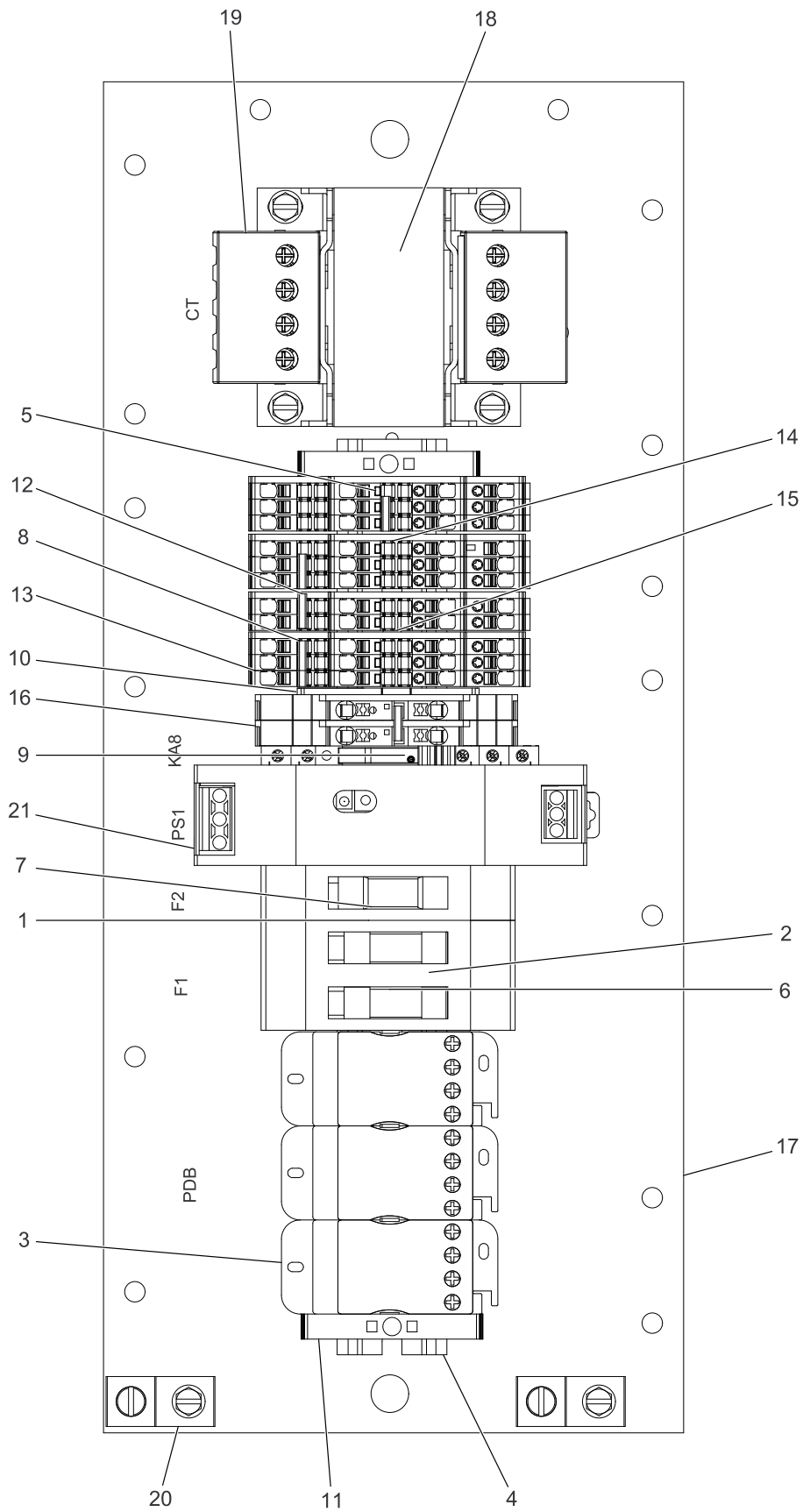
BACK PANEL ASSEMBLY - VSD (5.5–11KW 208/230V, 460V & 4–7.5KW 208/230V

Item	Part No.	Description	Qty.
1	22085914	FUSE, 6A	2
2	22505788	HOLDER, FUSE 2-POLE (FINGER SAFE)	1
3	23056328	BLOCK, POWER	See Table 16, p. 91
4	23464530	RAIL	1
5	35252279	SCREW	5
6	See Table 16, p. 91	JUMPER, TERMINAL	See Table 16, p. 91
7	See Table 16, p. 91	RELAY, INTERFACE	See Table 16, p. 91
8	47601727001	PLATE, TERMINAL END	1
9	See Table 16, p. 91	STOP, TERMINAL	See Table 16, p. 91
10	47601730001	JUMPER, TERMINAL	4
11	See Table 16, p. 91	TERMINAL, 2LEVEL	See Table 16, p. 91
12	47601734001	TERMINAL, 2LEVEL	1
13	47601735001	PLATE, TERMINAL END, 2LEVEL	4
14	See Table 16, p. 91	TERMINAL, 1000V	See Table 16, p. 91
15	47823806001	PANEL, BACK VS SHEET METAL	1
16	24CA7881	LUG, GROUND	2
17	24CA8362	POWER SUPPLY, 60W, 180-550VAC, 24-29VDC	1

Table 16. Alternate Parts

Application	Block, Power (#3)	Jumper, Terminal (#6)	Relay, Interface (#7)	Stop, Terminal (#9)	Terminal (#11)	Terminal (#14)
5.5 - 11KW, 208/230V & 460V, 60HZ, 3PH	23056328 (Qty. 3)	47520661001 (Qty. 1)	47525200001 (Qty. 1)	47601728001 (Qty. 4)	47601732001 (Qty. 10)	47629334001 (Qty. 2)
4 - 7.5KW, 208V/230V, 1PH	23056328 (Qty. 2)	47520661001 (Qty. 3)	47525200001 (Qty. 2)	47601728001 (Qty. 3)	47601732001 (Qty. 11)	47629334001 (Qty. 5)

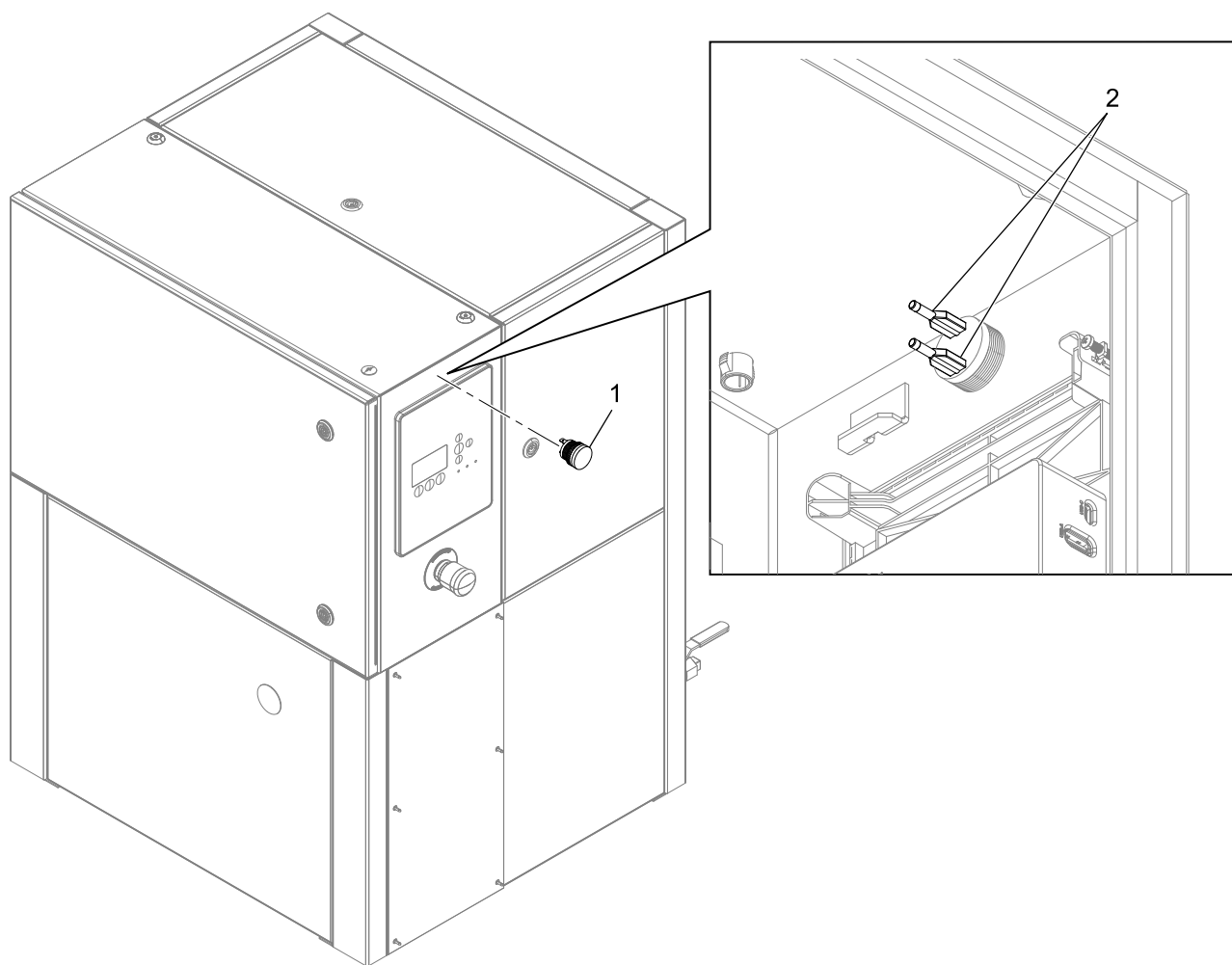
BACK PANEL ASSEMBLY - VSD (5.5-11KW, 575V)



BACK PANEL ASSEMBLY - VSD (5.5–11KW, 575V)

Item	Part No.	Description	Qty.
1	22477152	HOLDER, 1-POLE FUSE (FINGER SAFE)	1
2	22505788	HOLDER, FUSE 2-POLE (FINGER SAFE)	1
3	23056328	BLOCK, POWER	3
4	23464530	RAIL	1
5	35252279	SCREW	9
6	39193289	FUSE, 1 AMP	2
7	56277510	FUSE, 1.6 AMP	1
8	47520661001	JUMPER, TERMINAL	1
9	47525200001	RELAY, INTERFACE	1
10	47601727001	PLATE, TERMINAL END	1
11	47601728001	STOP, TERMINAL	2
12	47601730001	JUMPER, TERMINAL	4
13	47601732001	TERMINAL, 2LEVEL	10
14	47601734001	TERMINAL, 2LEVEL	1
15	47601735001	PLATE, TERMINAL END, 2LEVEL	4
16	47629334001	TERMINAL, 1000V	2
17	47823806001	PANEL, BACK VS SHEET METAL	1
18	47827141001	TRANSFORMER 100VA, 480V/600V	1
19	47830590001	COVER, FINGER SAFE, TRANSFORMER 100VA	2
20	24CA7881	LUG, GROUND	2
21	TEN010466	POWER SUPPLY, 75W, 90-264VAC IN, 24VDC OUT, 3.2A	1

POWER OUTAGE RESTART OPTION (PORO)

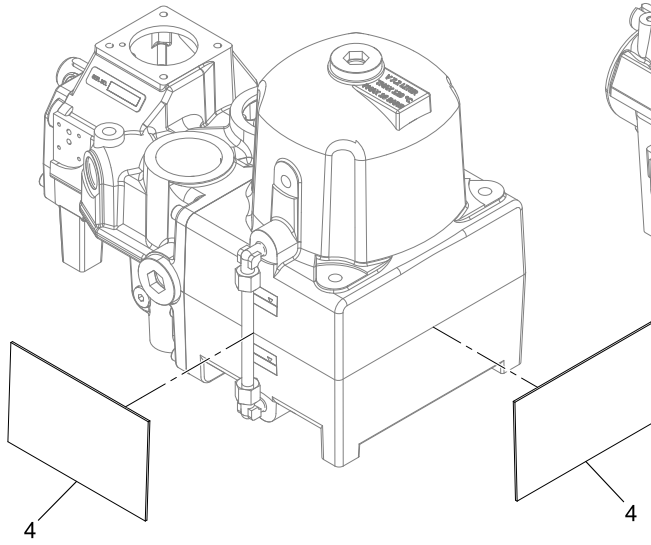


POWER OUTAGE RESTART OPTION (PORO)

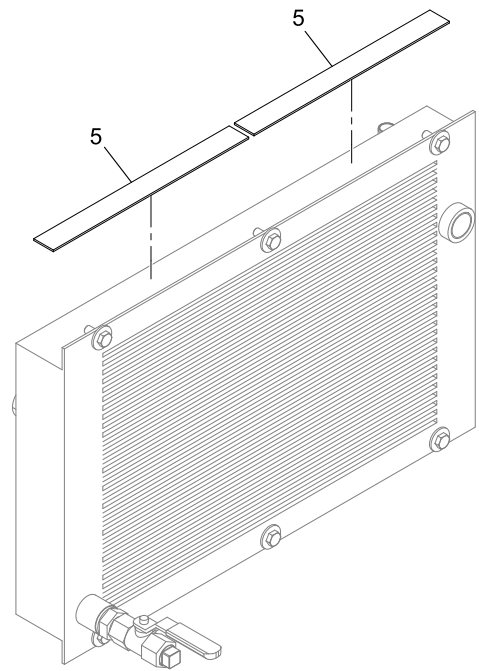
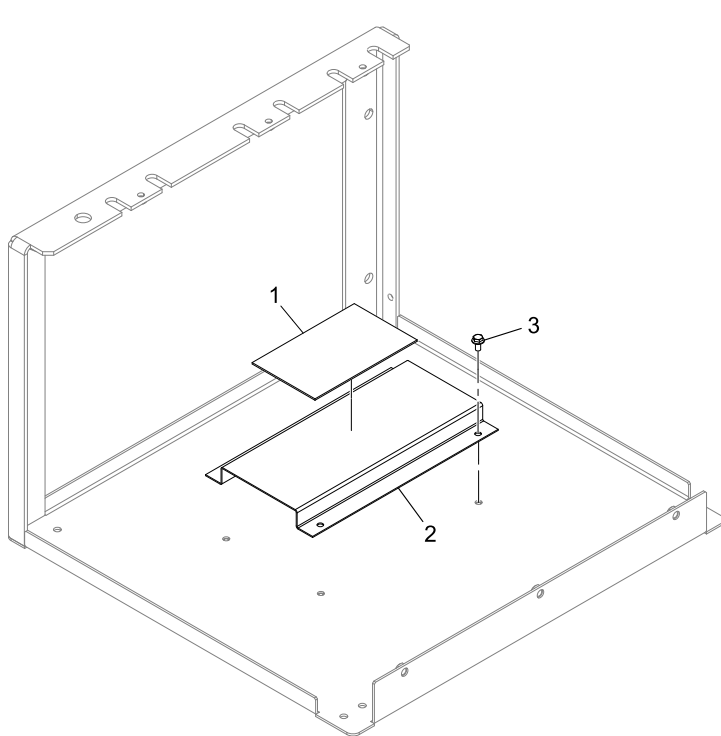
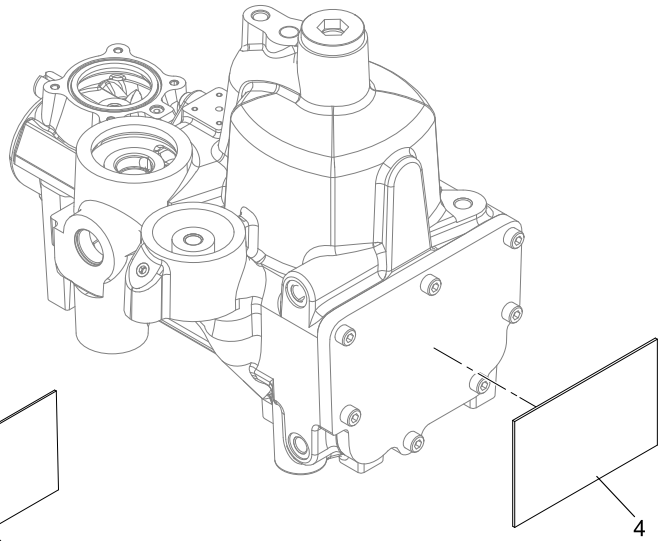
Item	Part No.	Description	Qty.
1	VP1185931	ASSEMBLY, PANEL MTD HORN, 24VDC	1
2	24CA45	TERMINAL, INSULATED	2
**3	47835573002	FERRULE, REELSMART, 18AWG, GRAY	2
**4	47835558019	WIRE, COPPER (BLUE)	1
**5	47835558019	WIRE, BLU/WHT	1
**	NOT ILLUSTRATED		

LOW AMBIENT KIT (FS)

FOR AIREND 7-11KW



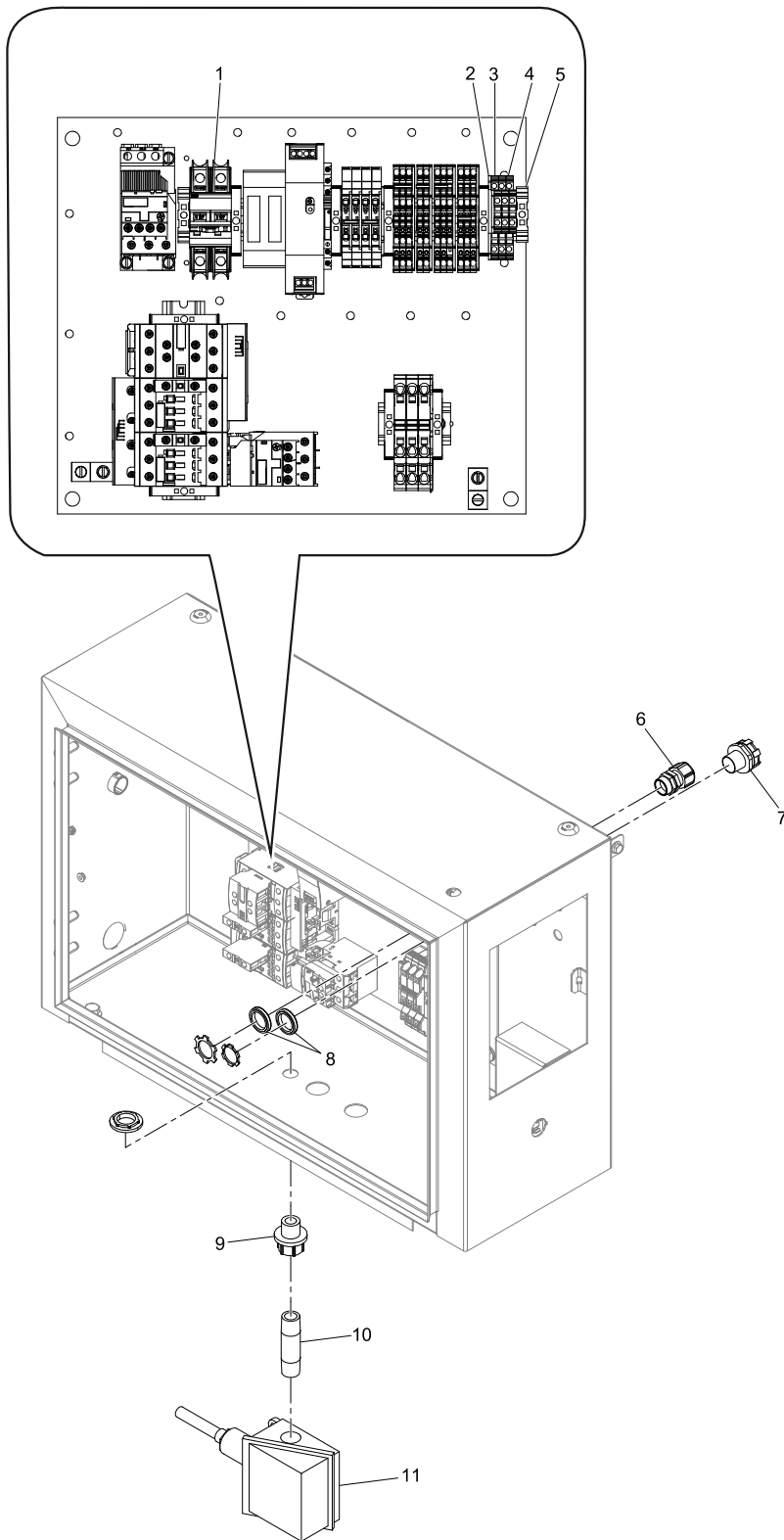
FOR AIREND 4-5KW



LOW AMBIENT KIT (FS)

Item	Part No.	Description	Qty.
1	47751606001	HEATER, PAD	1
2	47772387001	BRACKET	1
3	96705058	SCREW	4
4	47751606001	HEATER, PAD (7 - 11KW)	2
	47915529001	HEATER, PAD (4 - 5KW)	1
5	47753380001	HEATER, PAD	2
**	22052609	TIE, CABLE - BASE	2
**	35268788	CABLE TIE	2
**	NOT ILLUSTRATED		

LOW AMBIENT KIT (FS, 208–460V)

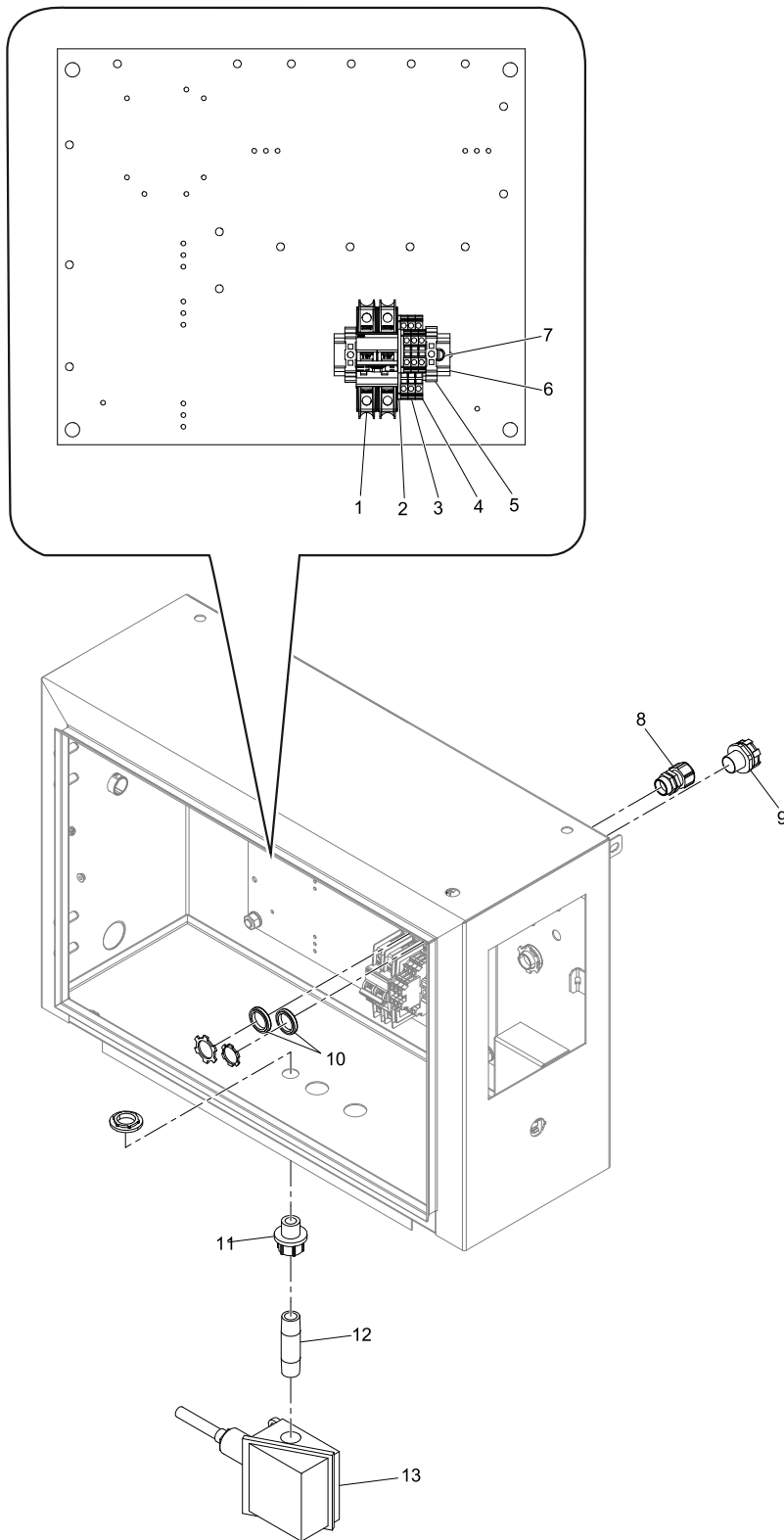


LOW AMBIENT KIT (FS, 208-460V)

Item	Part No.	Description	Qty.
1	23538515	BREAKER, CIRCUIT 20A	1
2	24CA5985	TERMINAL BLOCK, END	1
3	24CA5984	TERMINAL BLOCK	2
4	24CA7523	GROUND BLOCK	1
5	24CA5987	TERMINAL BLOCK,END STOP	2
6	24CA609	HUB	1
7	39180997	SEAL	2
8	24A383	O-RING	2
9	35275494	HUB	1
10	95242566	NIPPLE	1
11	39482898	THERMOSTAT, AMBIENT SENSING	1
**	24472953	WIRE	1
**	TEN021537	WAGO-SPLICE CONNECTORS	3
**	TEN021824	MACHINE TRAY CABLE	1
**	39181011	CABLE HEAT TRACING 5WATT/FOOT	1
**	39182076	TAPE 3M 130 DEG C	1
**	39197546	TAPE ALUMINUM FOIL	1
**	39205059	END SEAL CAP HLT HEAT	A/R
**	46840187	TUBE INSULATION LAYER (FOR RECIEVER MOUNT)	1
**	39497987	INSULATION, SHEET (FOR BASE MOUNT)	1
**	97330401	SEALANT, HEAT RESISTANT	1

**	NOT ILLUSTRATED
----	-----------------

LOW AMBIENT KIT (FS, 575V)



LOW AMBIENT KIT (FS, 575V)

Item	Part No.	Description	Qty.
1	23538515	BREAKER, CIRCUIT 20A	1
2	24CA5985	TERMINAL BLOCK, END	1
3	24CA5984	TERMINAL BLOCK	2
4	24CA7523	GROUND BLOCK	1
5	24CA5987	TERMINAL BLOCK,END STOP	2
6	23464530	RAIL	90MM
7	35252279	SCREW	2
8	24CA609	HUB	1
9	39180997	SEAL	2
10	24A383	O-RING	2
11	35275494	HUB	1
12	95242566	NIPPLE	1
13	39482898	THERMOSTAT, AMBIENT SENSING	1
**	24472953	WIRE	1
**	TEN021537	WAGO-SPLICE CONNECTORS	3
**	TEN021824	MACHINE TRAY CABLE	1
**	39181011	CABLE HEAT TRACING 5WATT/FOOT	1
**	39182076	TAPE 3M 130 DEG C	1
**	39197546	TAPE ALUMINUM FOIL	1
**	39205059	END SEAL CAP HLT HEAT	A/R
**	46840187	TUBE INSULATION LAYER (FOR RECIEVER MOUNT)	1
**	39497987	INSULATION, SHEET (FOR BASE MOUNT)	1
**	97330401	SEALANT, HEAT RESISTANT	1
**	NOT ILLUSTRATED		

Notes
