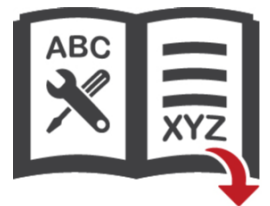
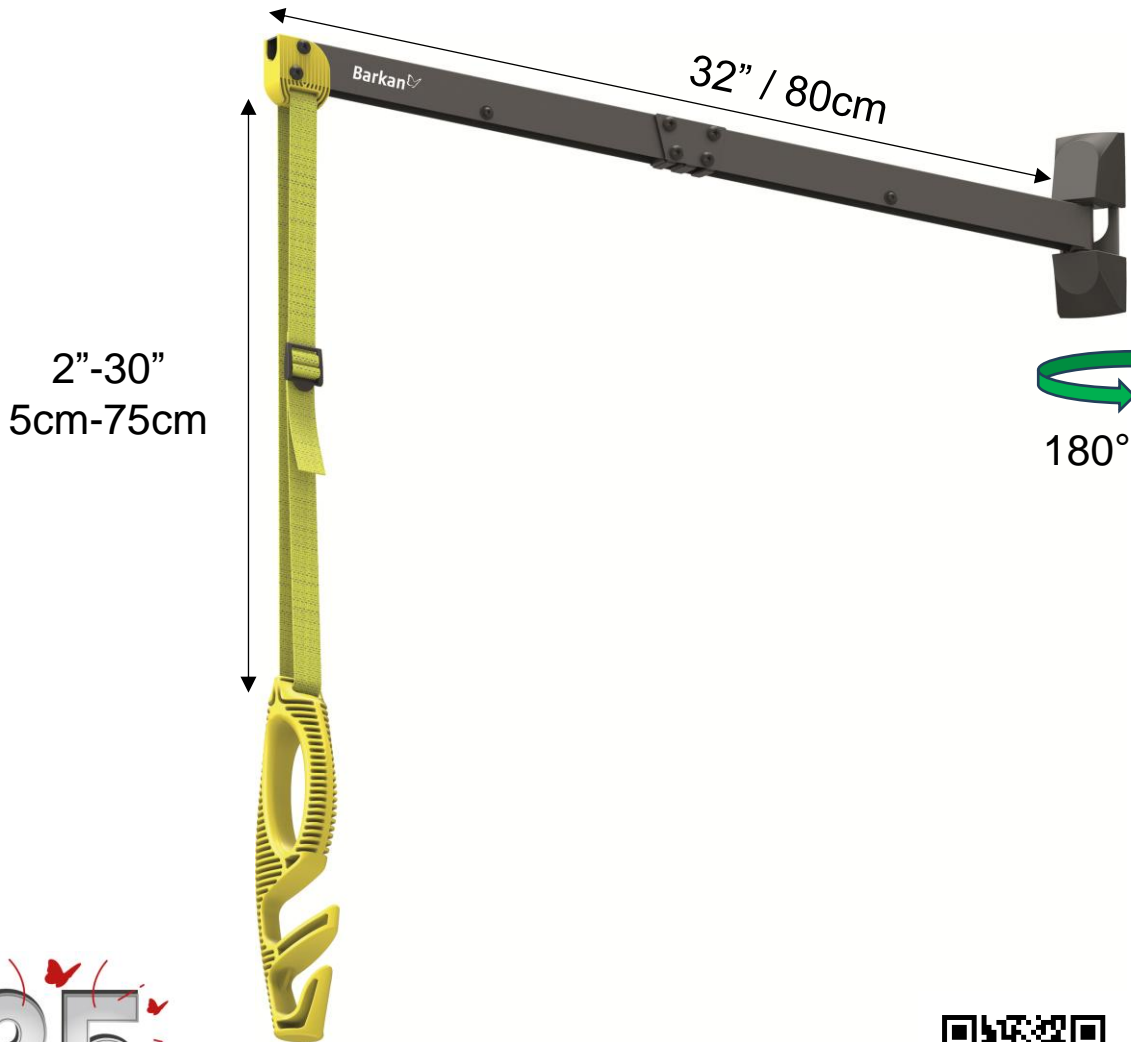



32" / 80cm Protective EV Charging Cable Wall Arm



Download Assembly Instructions with Text

For more information: [barkanmounts.com](https://www.barkanmounts.com)

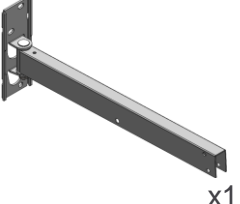

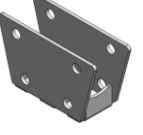
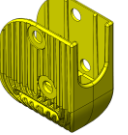
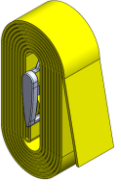
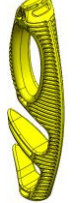
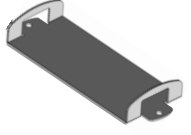
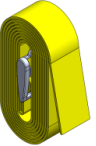
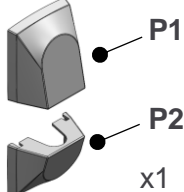
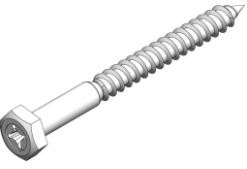

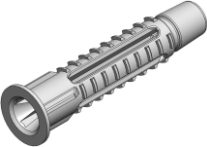

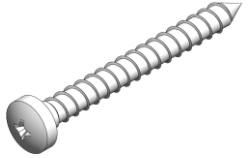
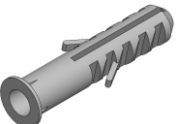
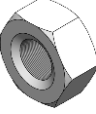

If you are satisfied with the product, please give us a 5 stars ☆☆☆☆☆ rating on the website you bought it from. If you are not satisfied, please contact us at <https://www.barkanmounts.com/support> and we will solve the problem for you.

Max Weight		
US	 Max	EU
11lbs		5kg



Safety instructions and installation warnings (provided separately) must be read in full, prior to assembly.

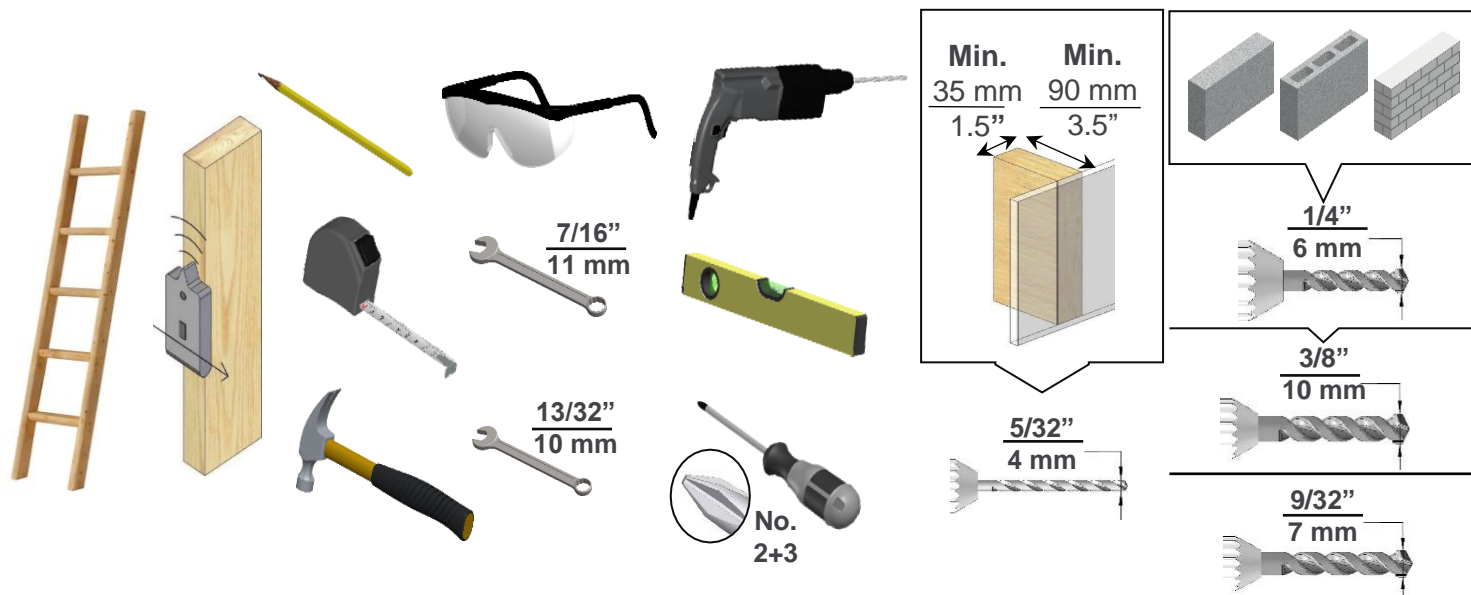
Included Parts not to scale

<p>A Back Arm x1</p> 	<p>B Extension Arm x1</p> 	<p>F Arm Connector x1</p> 	<p>G Strap Connector x1</p> 	<p>H Handle Strap x1</p> 
<p>I Handle x1</p> 	<p>M Control Box Bracket x1</p> 	<p>N Bracket Strap x1</p> 	<p>P Wall plate Covers x1</p> 	<p>W1 x3</p> 
<p>W2 x3</p> 	<p>W3 x3</p> 	<p>W4 x2</p> 	<p>W5 x2</p> 	<p>W6 x2</p> 
<p>Z2 x6</p> 	<p>Z4 x2</p> 			

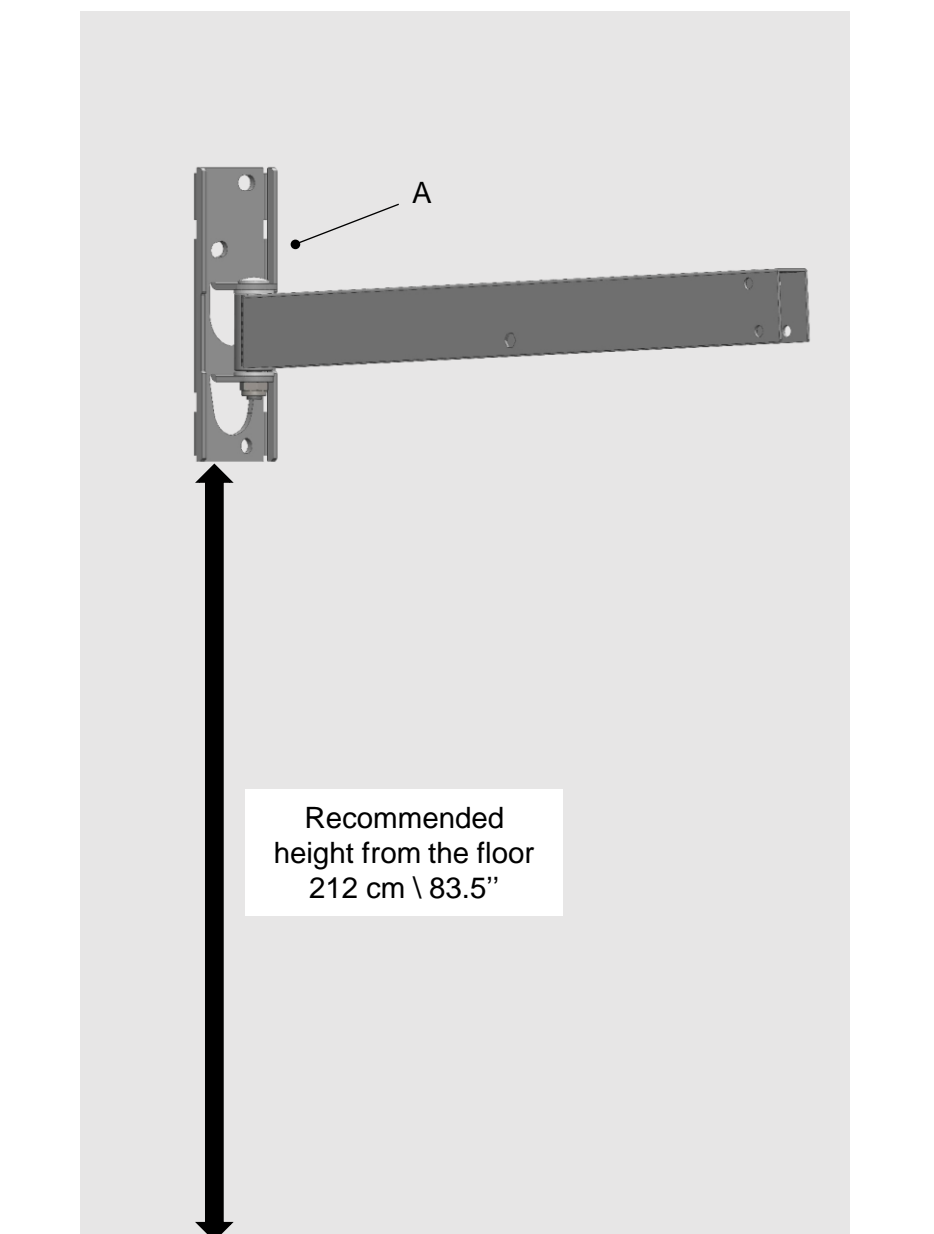


#	M	L mm	L inch	pcs
Z1	6	35	1 ³ / ₈	6
Z3	4	25	1	2

Required Tools



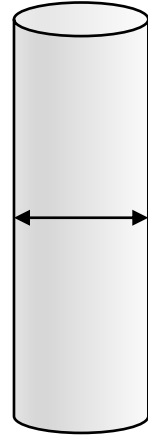
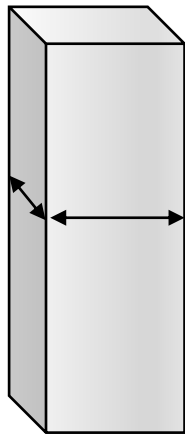
1 Determine the desired mount location



2

Continue according to your mounting base

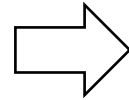
2a



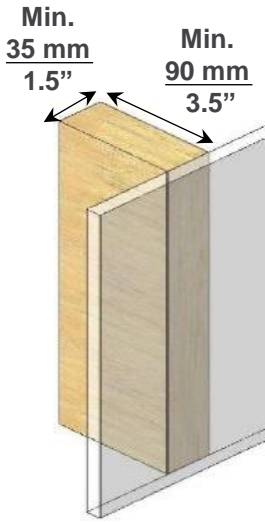
75 mm - 160 mm
2.95" - 6.3"

Metal

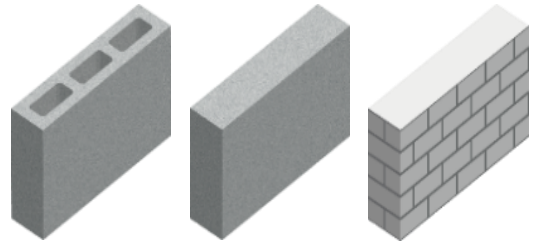
"Post Adaptor"
Sold separately



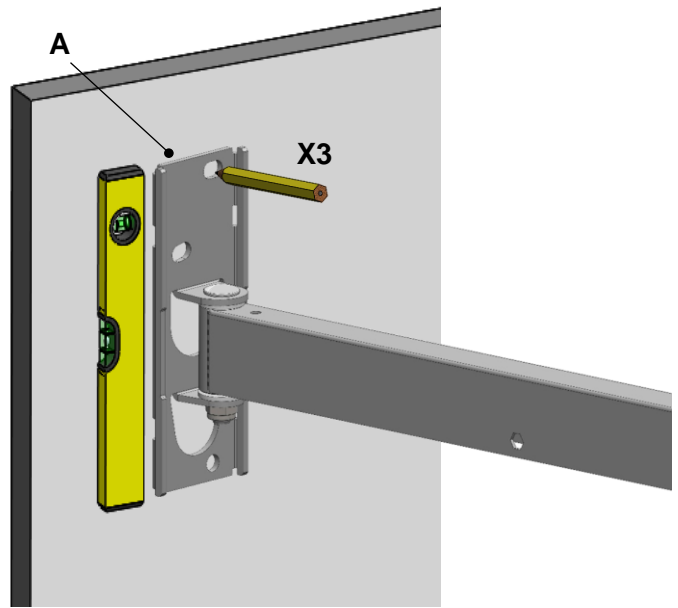
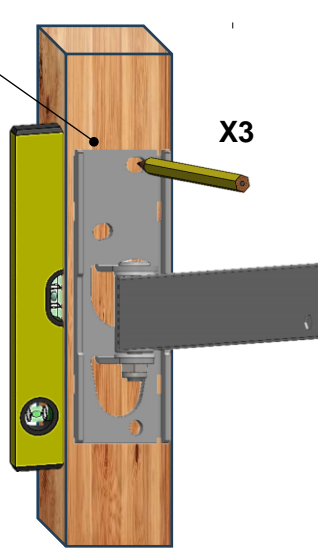
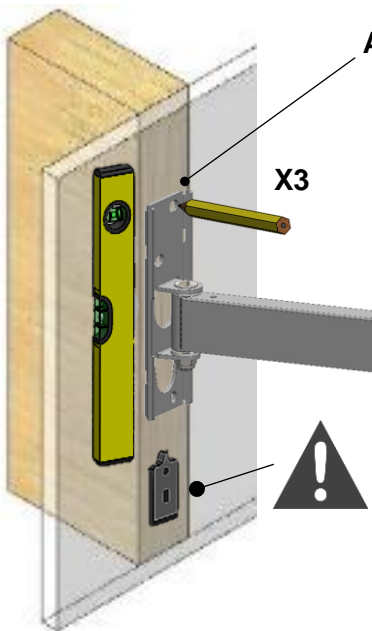
2b



2c



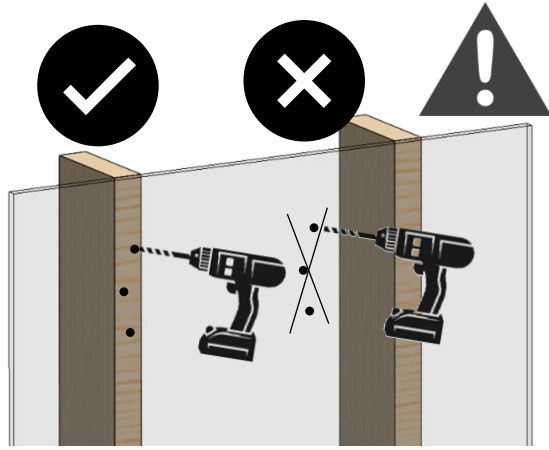
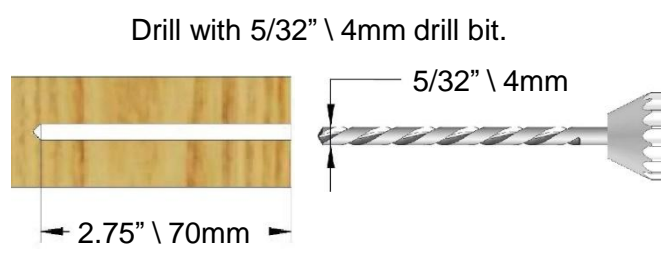
Mark the holes according to the desired location



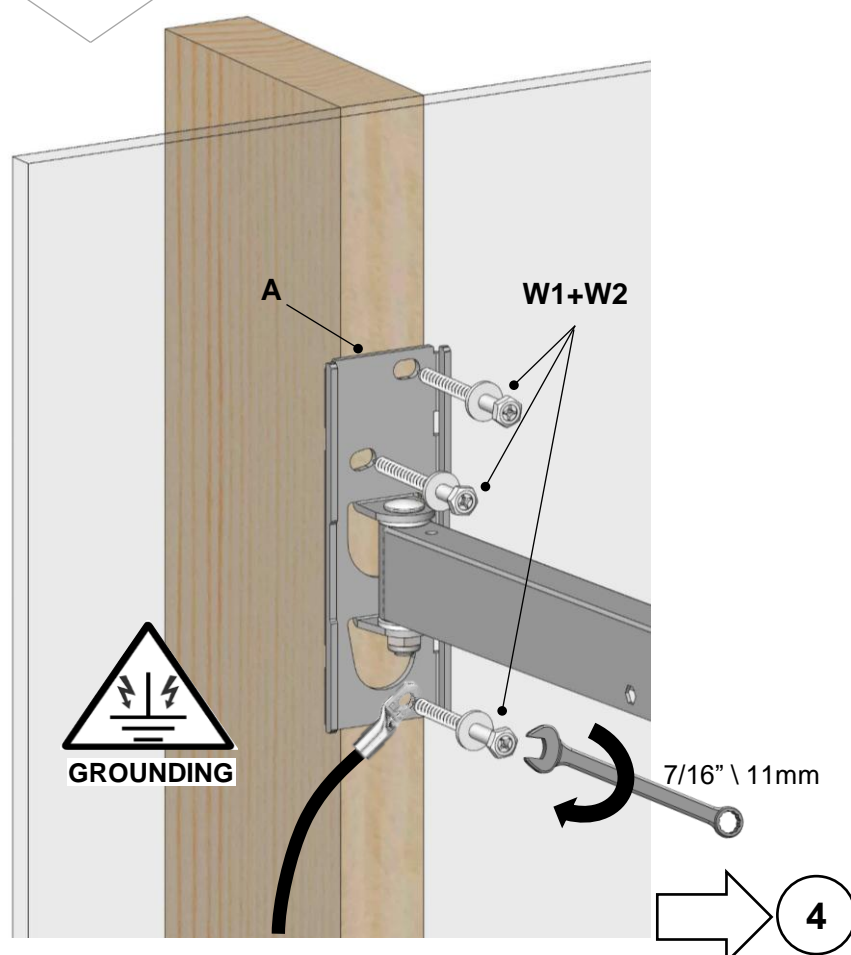
3a

3b

3a Make sure all the holes are drilled into the stud.



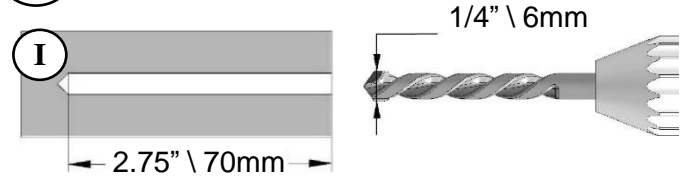
Assemble the Back Arm (A) to the wall, using screws and washers W1+W2



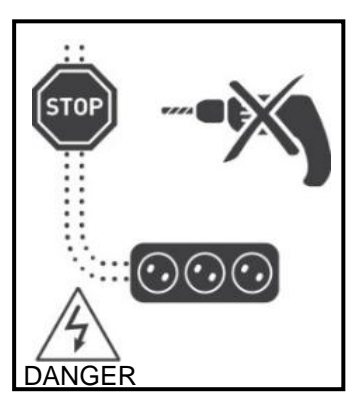
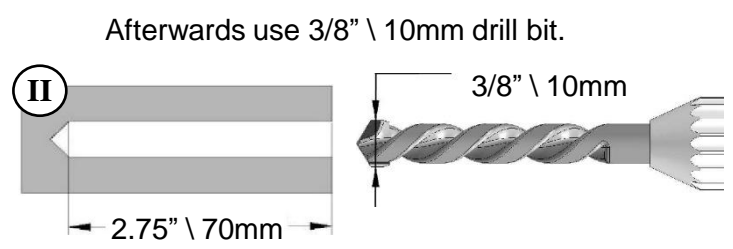
Grounding: Be advised - The mount must be grounded. A licensed electrician must perform the grounding according to the safety regulations of the local electricity authority.

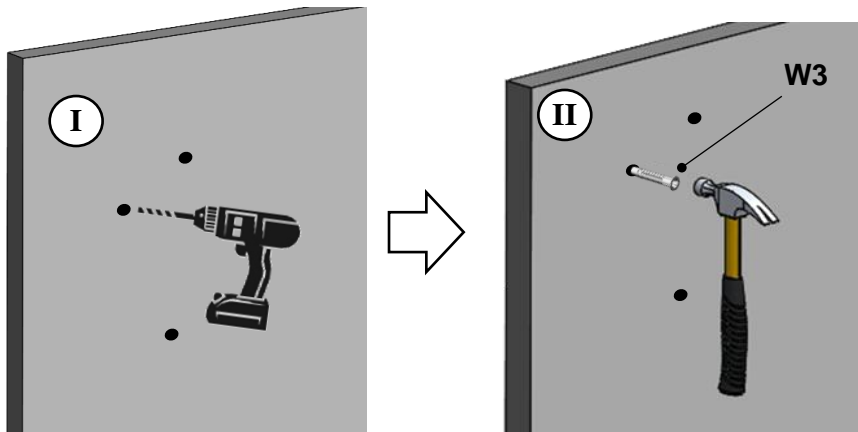
➔ **4**

3b First use 1/4" \ 6mm drill bit.

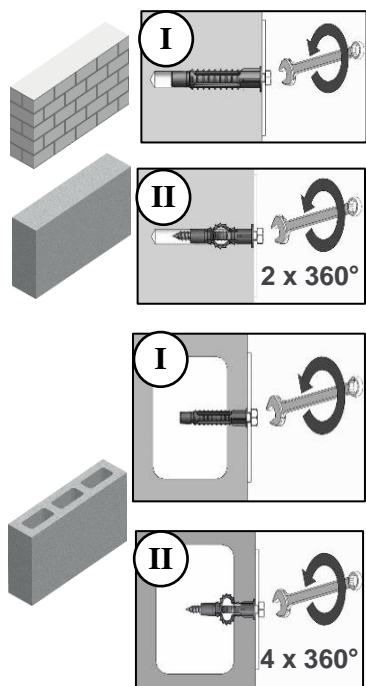
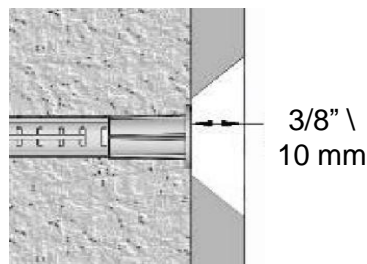


! Make sure there are no electrical/water lines in the wall before drilling and then drill according to the markings

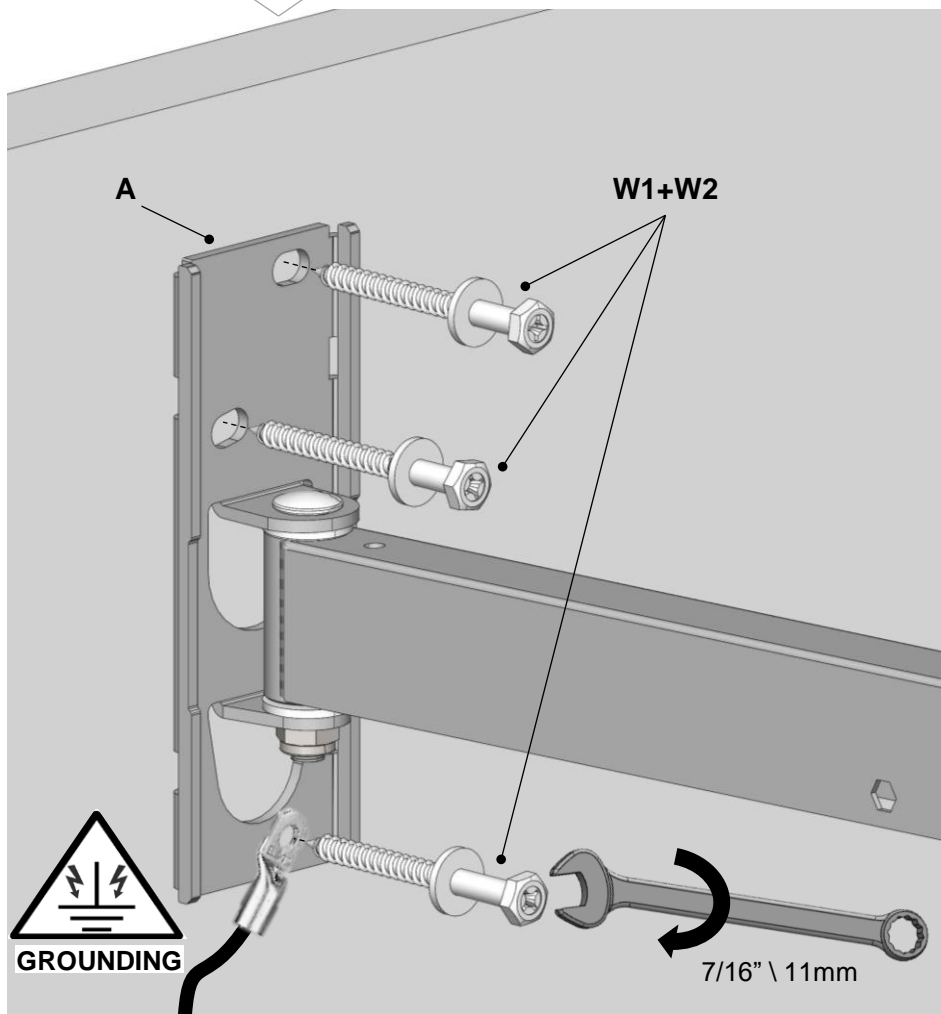




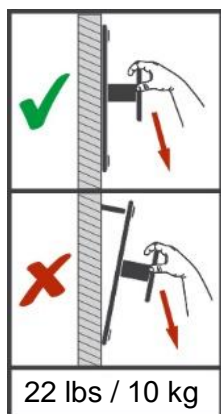
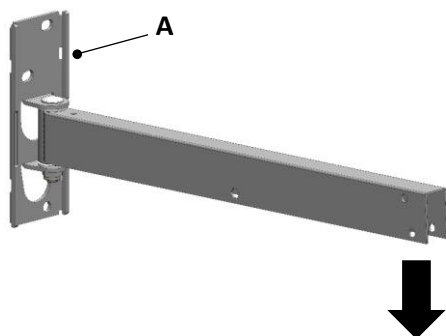
The anchor must be sunk at least 3/8" \ 10 mm into the plaster coating.



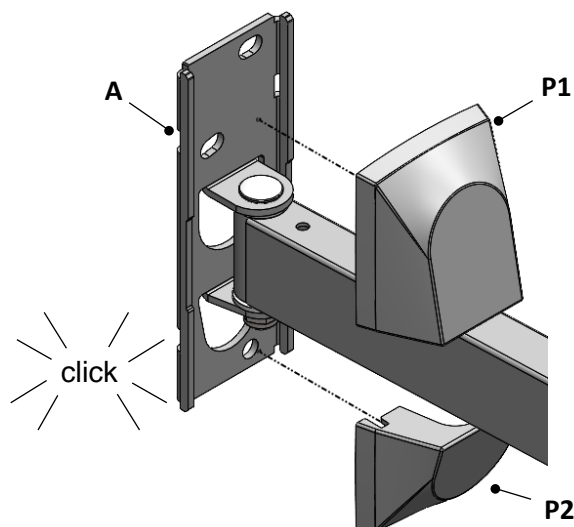
Grounding: Be advised - The mount must be grounded. A licensed electrician must perform the grounding according to the safety regulations of the local electricity authority.



4 Weight test
Apply force on the edge of the upper back arm (A) and make sure it is connected securely

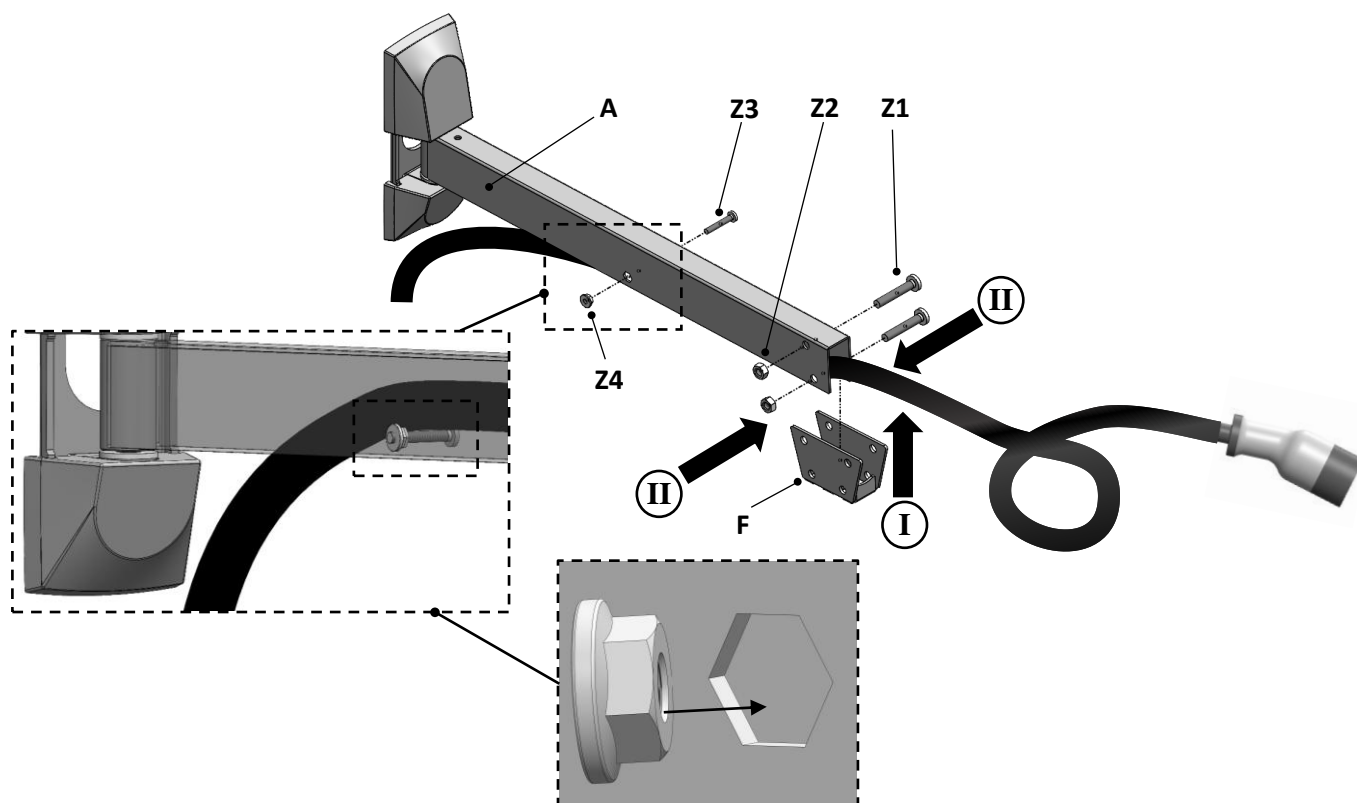


5 Assemble the wall plate covers (P1+P2) and snap them into place



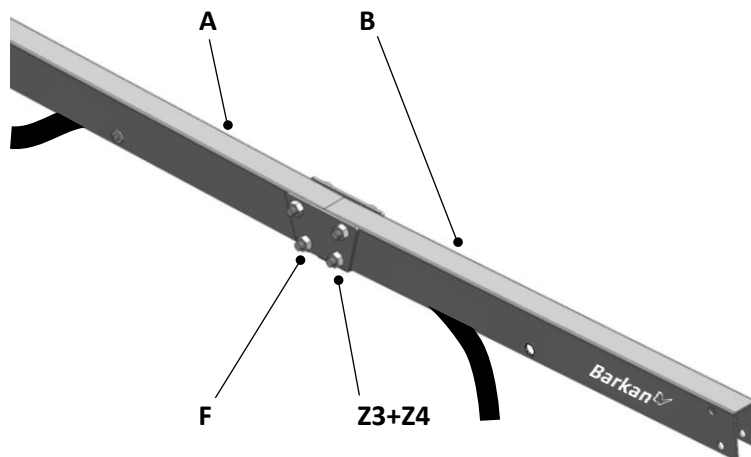
6

Place the charging cable inside the Arm Connector **F**. Assemble the Arm Connector **F** to the Back Arm **A**, so it locks the charging cable in place. Tighten it using 2 screws and nuts **Z1+Z2**, so that the charging cable runs between the upper and lower screws. Lock the charging cable inside the arm by inserting screw and nut **Z3+Z4** under it.



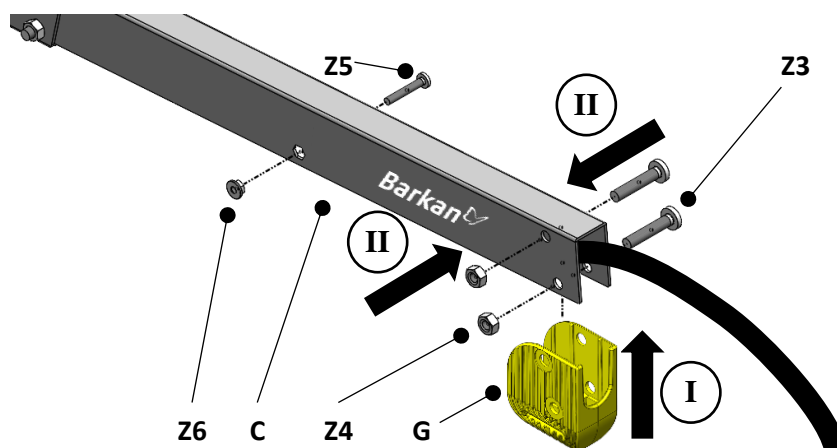
7

Assemble the extension arm (**B**) to the open arm connector (**F**) and tighten it using 2 **Z3** screws and 2 **Z4** nuts, so that the charging cable runs between the upper and the lower screws.



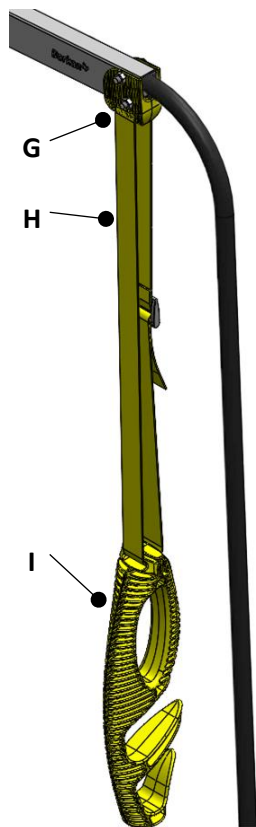
8

Assemble the strap connector (**G**) to the extension arm (**B**) and tighten it using 2 **Z1** screws and 2 **Z2** nuts, so that the charging cable runs between the upper and lower screws. Lock the charging cable inside the arm by inserting screw **Z3** and nut **Z4** under it.



9

Thread the handle strap (H) through the strap connector (G) and the handle (I) and secure it with the buckle. Adjust the strap to the desired height.



10

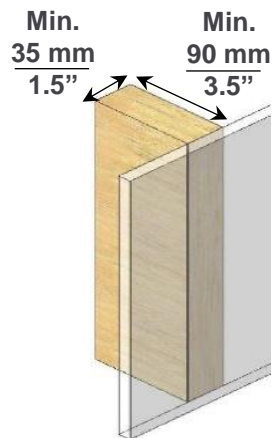
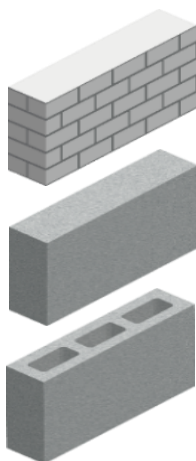
When finished charging, place the charging cable's handle in the designated holder and coil the excess cable on the handle (I). Rotate the mount to a place where it is not a safety hazard.



11

Optional: Hang the Control Box

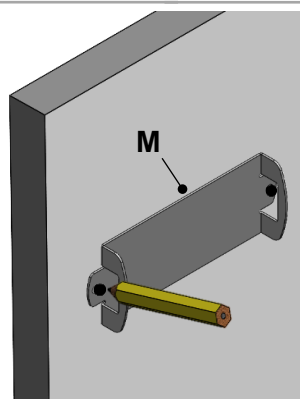
continue according to your wall type



11b

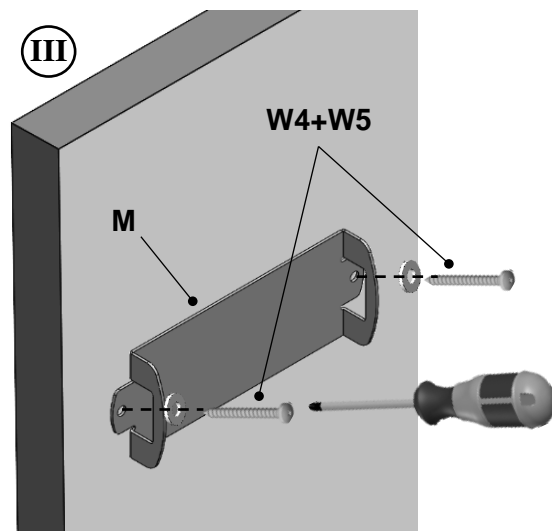
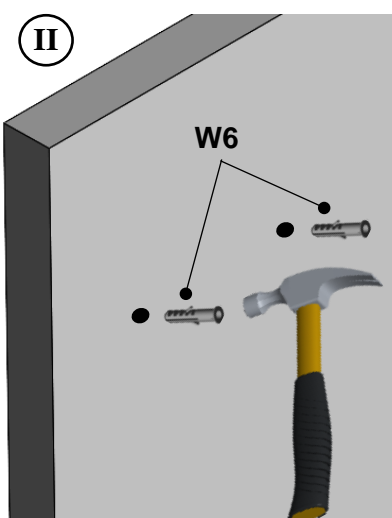
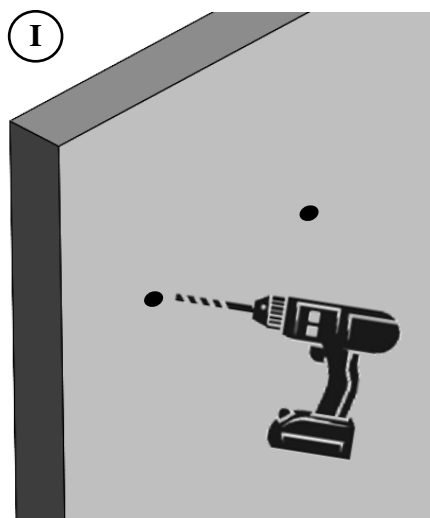
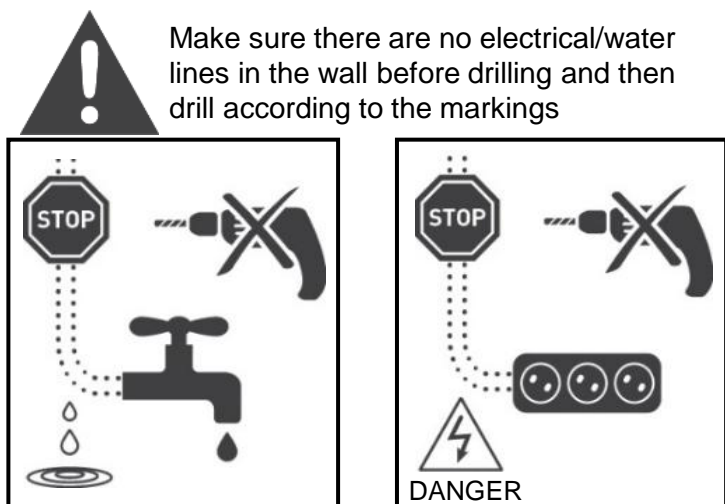
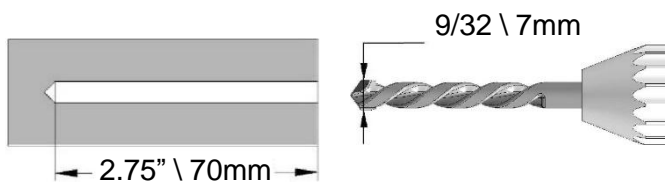
11a

Hold the control box bracket (M) against the wall and mark the holes on the wall according to the desired position.

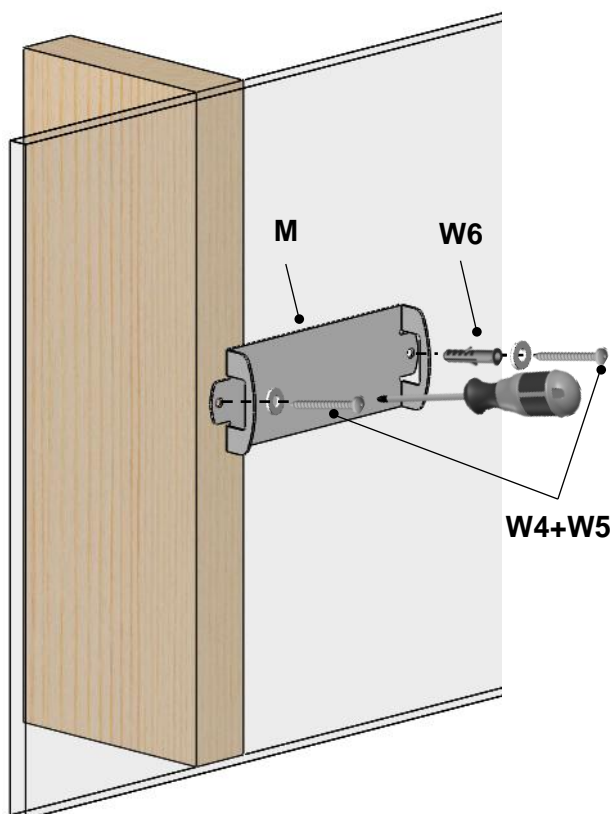


Drill holes, insert 2 **W6** anchors, and assemble the control box bracket (**M**) using 2 **W5** screws and 2 **W4** washers.

Use 9/32 \ 7mm drill bit






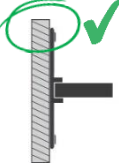
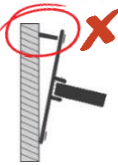




11b Assemble the control box bracket (**M**) using 2 **W5** screws, 2 **W4** washers and 1 **W6** anchor.



12 Thread the bracket strap (**N**) through the control box bracket (**M**). Place the charger box into the control box bracket (**M**) and secure it by tightening the bracket strap (**N**).



13 Periodic Care

Biannual safety inspection  	Secured to wall   	Tightened bolts   	Lubricated hinges 
---	--	---	---

