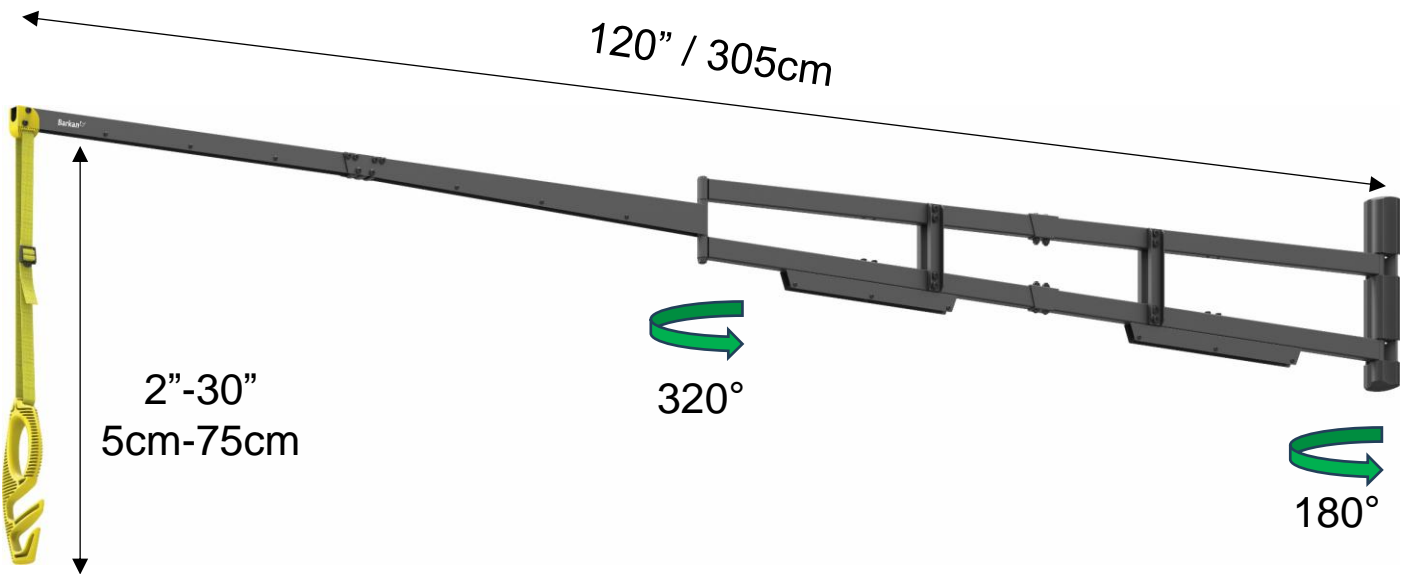



120" / 305cm Protective EV Charging Cable Wall Arm



Download Assembly Instructions with Text

For more information: [barkanmounts.com](https://www.barkanmounts.com)





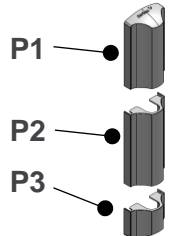
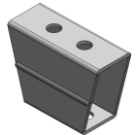
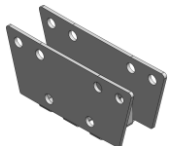
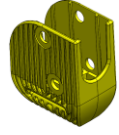
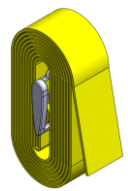
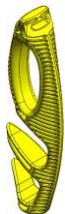
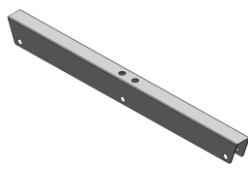
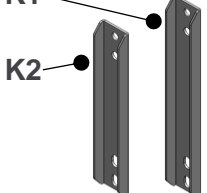
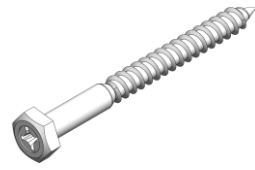

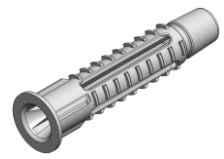

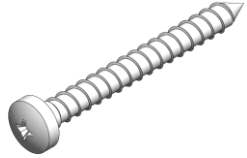


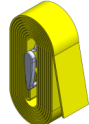
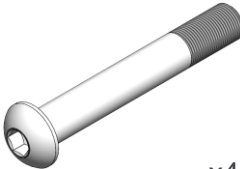
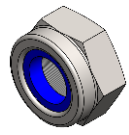
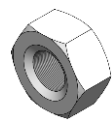


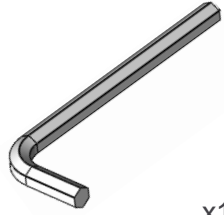


If you are satisfied with the product, please give us a 5 stars ☆☆☆☆☆ rating on the website you bought it from. If you are not satisfied, please contact us at <https://www.barkanmounts.com/support> and we will solve the problem for you.

Max Weight		
US	 Max	EU
11lbs		5kg

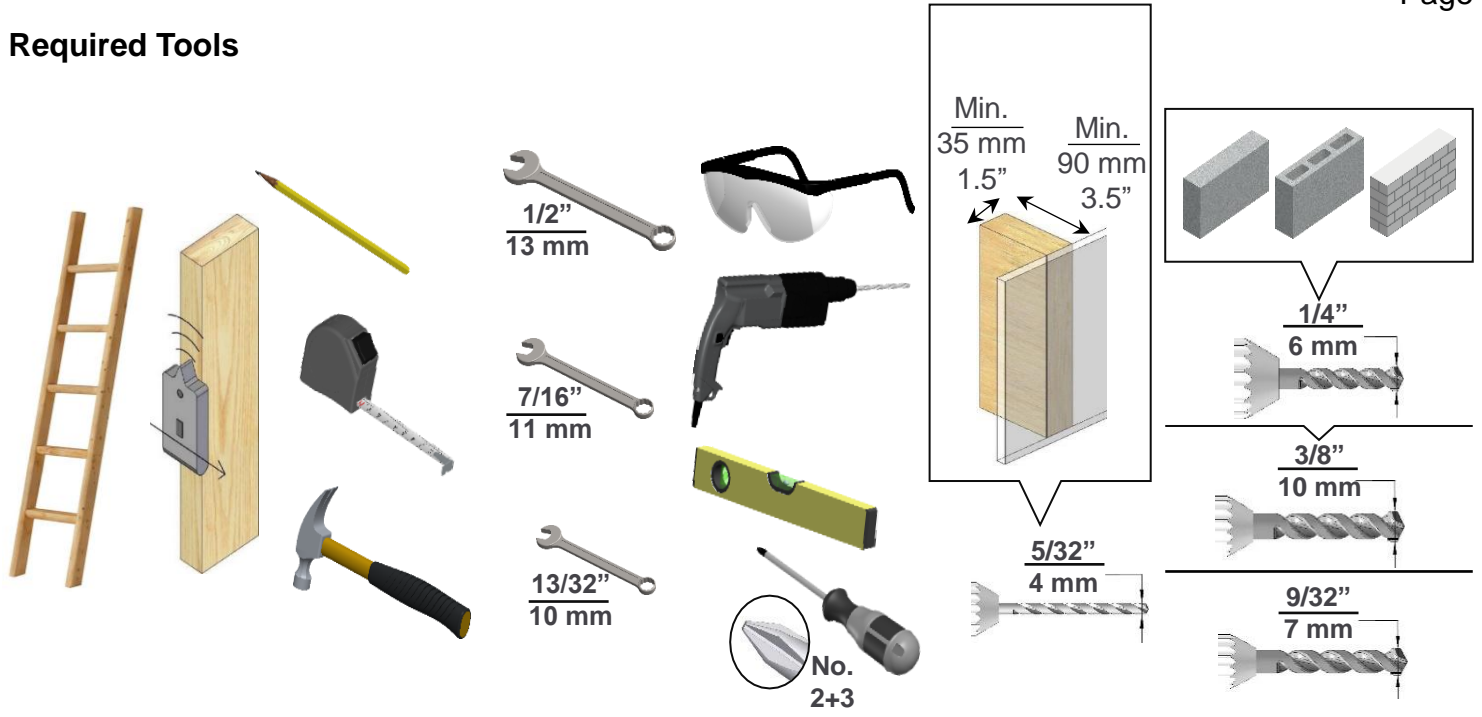


**Safety instructions and installation warnings (provided separately)
must be read in full, prior to assembly.**

Included Parts not to scale

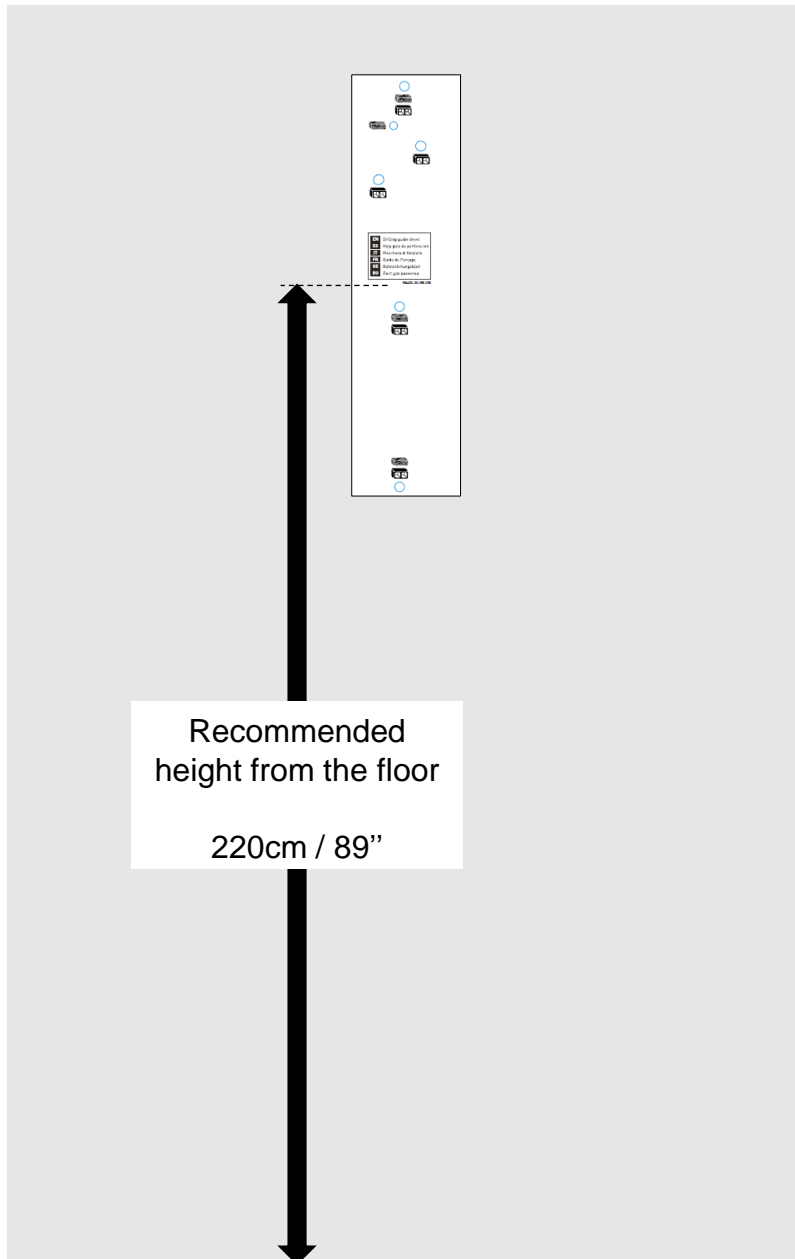
<p>A Back Arm</p>  <p>x1</p>	<p>B Front Arm</p>  <p>x1</p>	<p>C Extension Arm</p>  <p>x1</p>	<p>D Drilling Template</p>  <p>x1</p>	<p>P Wall Plate Covers</p>  <p>P1 P2 P3</p> <p>x1</p>																				
<p>E Closed Arm Connector</p>  <p>x2</p>	<p>F Open Arm Connector</p>  <p>x1</p>	<p>G Strap Connector</p>  <p>x1</p>	<p>H Handle Strap</p>  <p>x1</p>	<p>I Handle</p>  <p>x1</p>																				
<p>J Cable Manager</p>  <p>x2</p>	<p>K Bracket Connectors</p>  <p>K1 K2</p> <p>x2</p>	<p>W1</p>  <p>x5</p>	<p>W2</p>  <p>x5</p>	<p>W3</p>  <p>x5</p>																				
<p>W4</p>  <p>x2</p>	<p>W5</p>  <p>x2</p>	<p>W6</p>  <p>x2</p>	<p>M Control Box Bracket</p>  <p>x1</p>	<p>N Bracket Strap</p>  <p>x1</p>																				
<p>Z1</p>  <p>x4</p>	<p>Z2</p>  <p>x4</p>	<p>Z4</p>  <p>x20</p>	<p>Z6</p>  <p>x12</p>	<p>Z8</p>  <p>x16</p>																				
<p>Z9</p>  <p>x1</p>	<p>Z10</p>  <p>x8</p>	 <table border="1" data-bbox="893 1612 1484 1904"> <thead> <tr> <th>#</th> <th>M</th> <th>L mm</th> <th>L inch</th> <th>pcs</th> </tr> </thead> <tbody> <tr> <td>Z3</td> <td>6</td> <td>35</td> <td>1³/₈</td> <td>16</td> </tr> <tr> <td>Z5</td> <td>4</td> <td>25</td> <td>1</td> <td>12</td> </tr> <tr> <td>Z7</td> <td>6</td> <td>45</td> <td>1³/₄</td> <td>4</td> </tr> </tbody> </table>			#	M	L mm	L inch	pcs	Z3	6	35	1 ³ / ₈	16	Z5	4	25	1	12	Z7	6	45	1 ³ / ₄	4
#	M	L mm	L inch	pcs																				
Z3	6	35	1 ³ / ₈	16																				
Z5	4	25	1	12																				
Z7	6	45	1 ³ / ₄	4																				

Required Tools



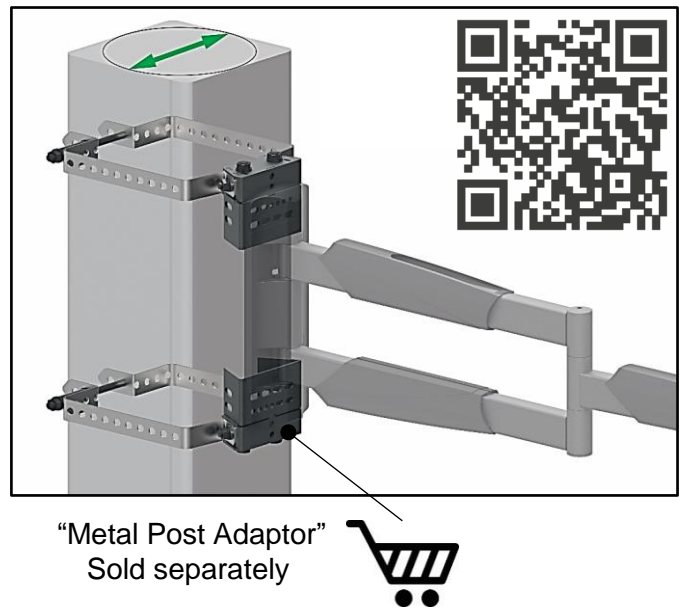
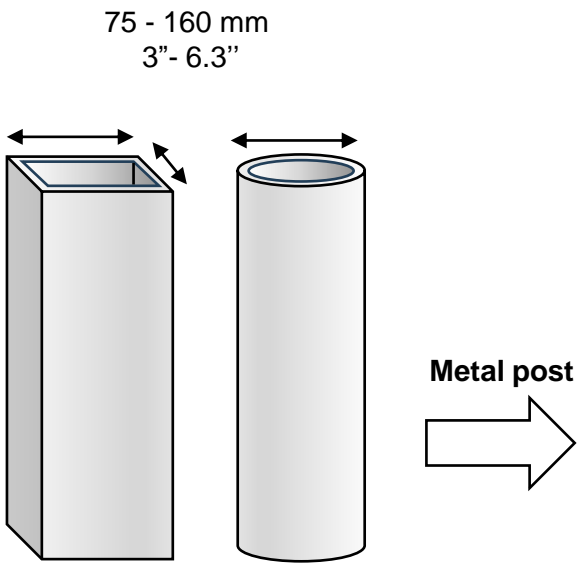
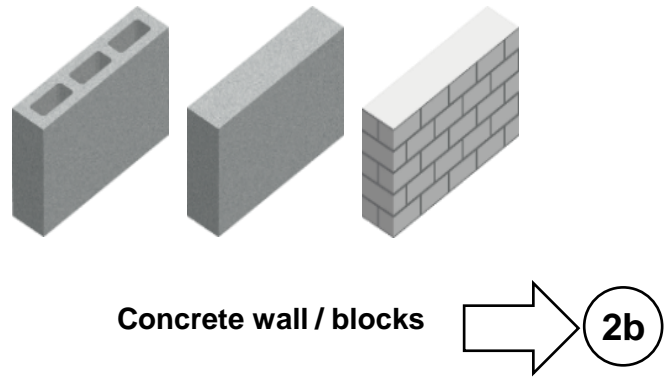
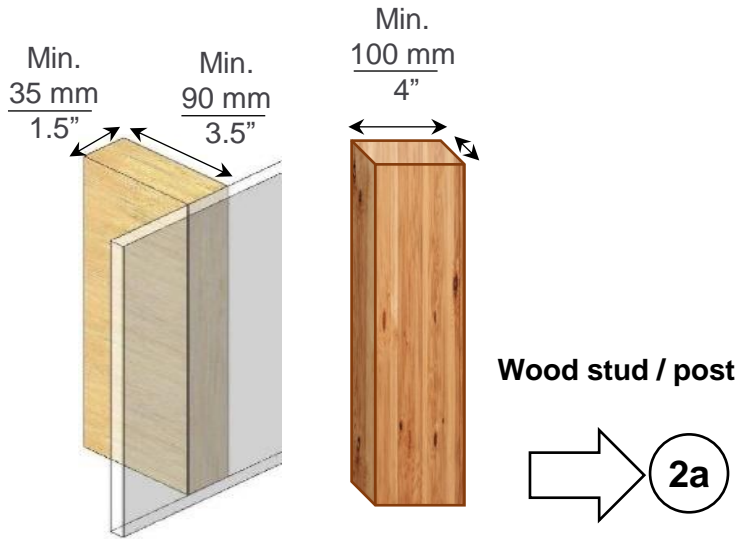
1

Determine the desired mount location

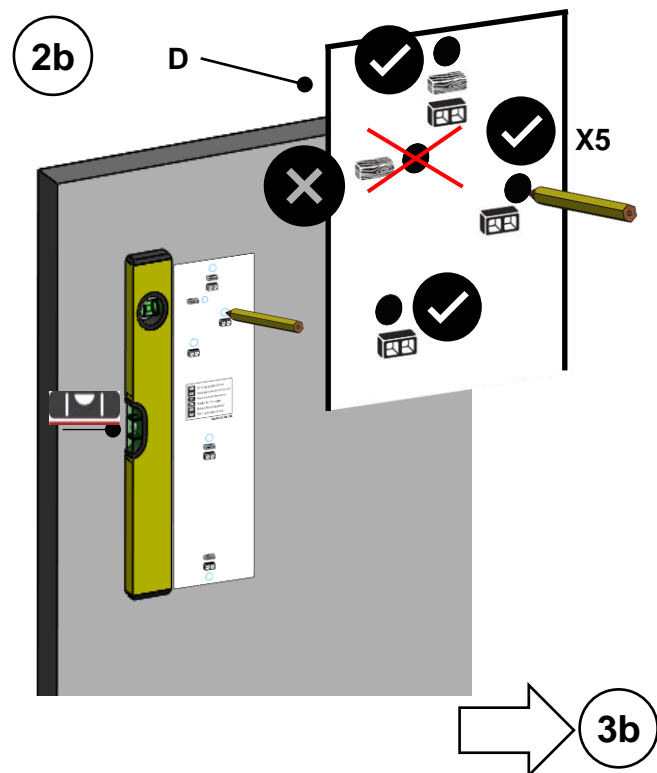
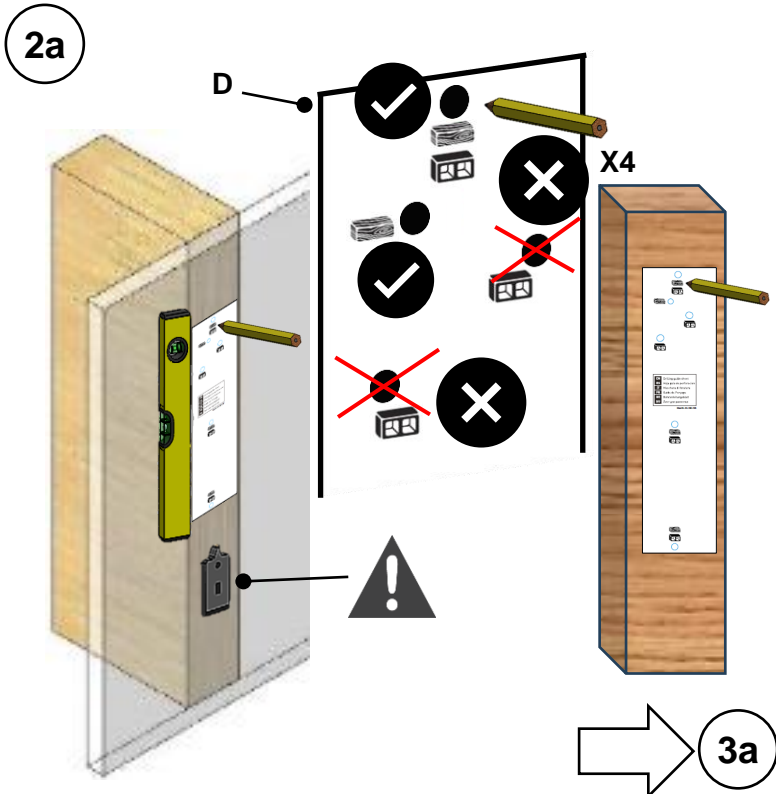


2

Continue according to your mounting base

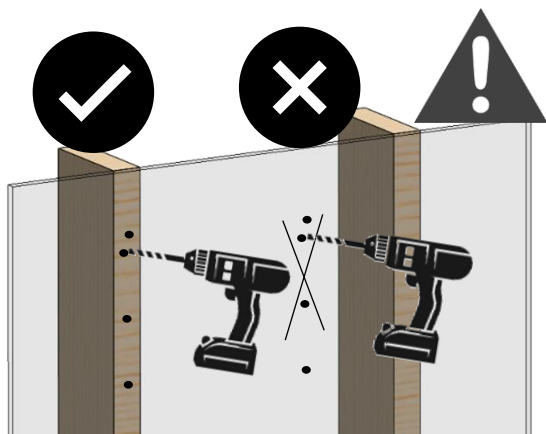
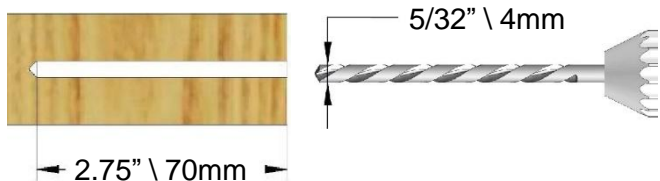


Mark the holes according to the desired location

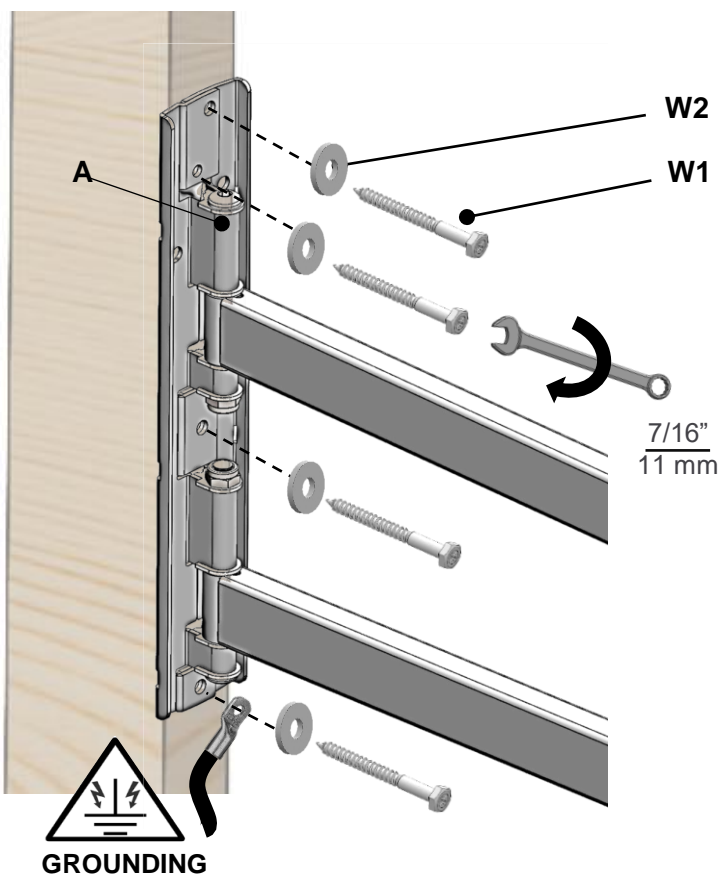


3a Make sure all the holes are drilled into the stud.

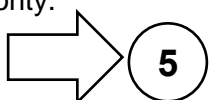
Drill with 5/32" \ 4mm drill bit.



Assemble the Back Arm (A) to the wall, using W1 screws and W2 washers.

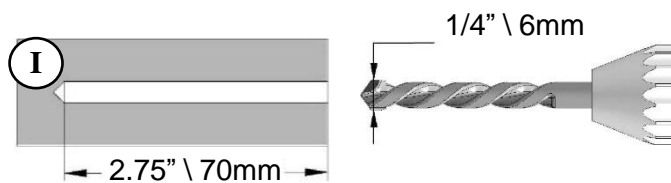


Grounding: Be advised - The mount must be grounded. The grounding must be performed by a licensed electrician according to the safety regulations of the local electricity authority.

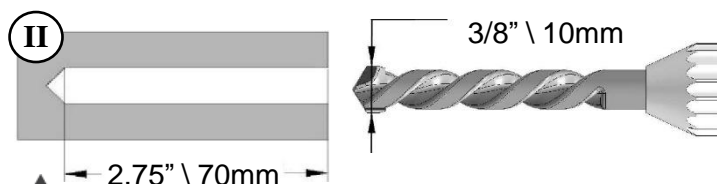


3b

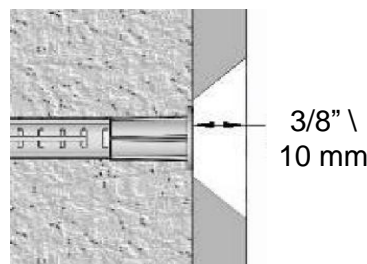
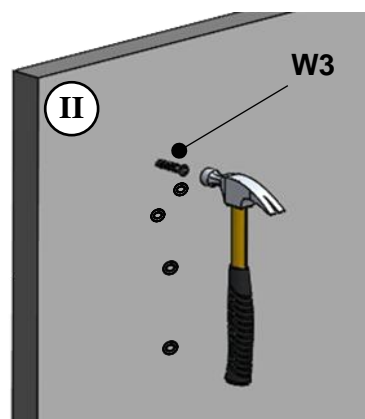
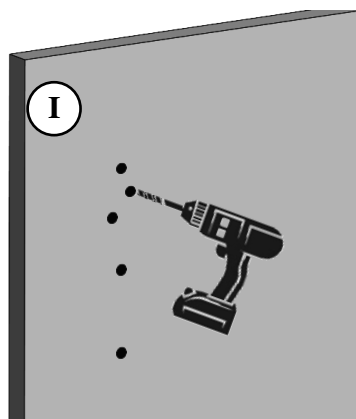
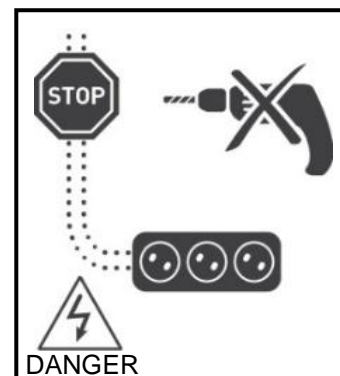
First use 1/4" \ 6mm drill bit.



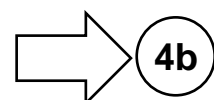
Afterwards use 3/8" \ 10mm drill bit.



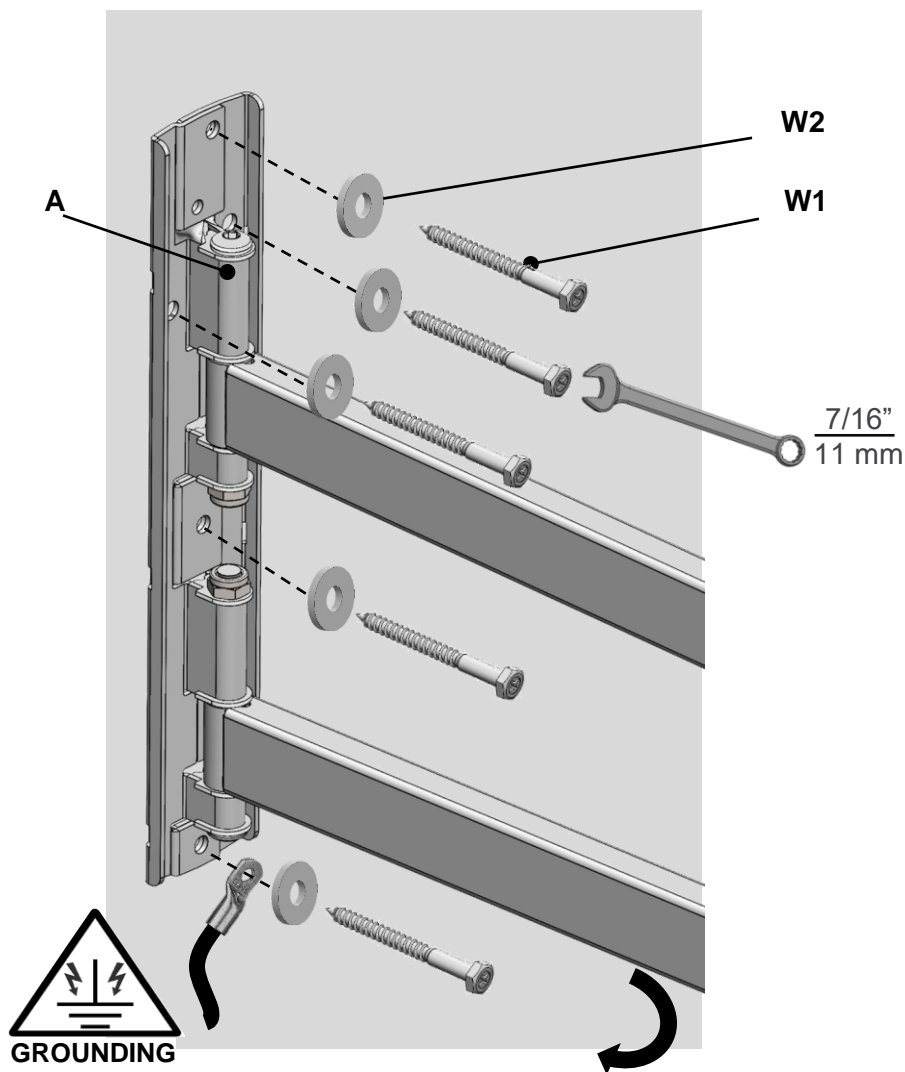
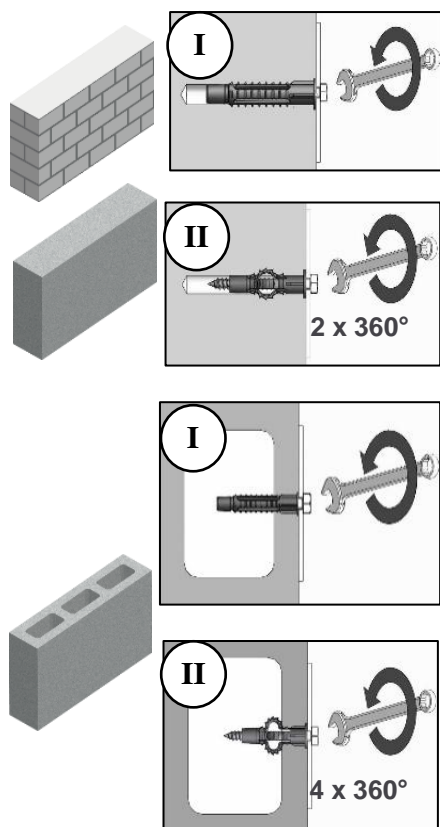
Make sure there are no electrical/water lines in the wall before drilling and then drill according to the markings



The W3 anchor must be sunk at least 3/8" \ 10 mm into the plaster coating.

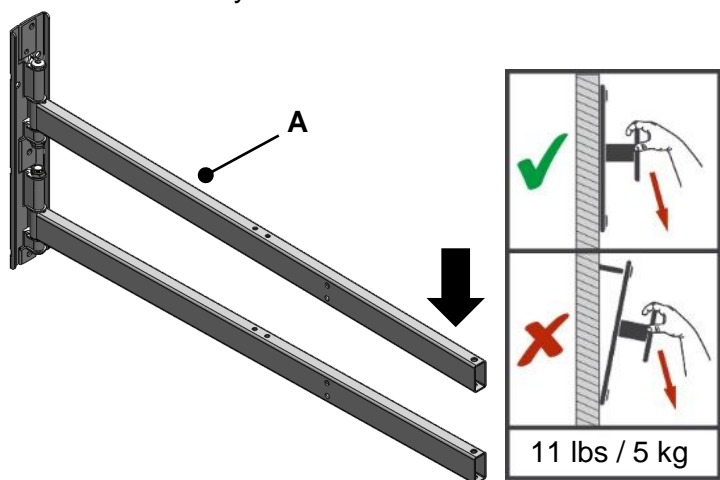


4b Assemble the Back Arm (A) to the wall, using W1 screws and W2 washers.

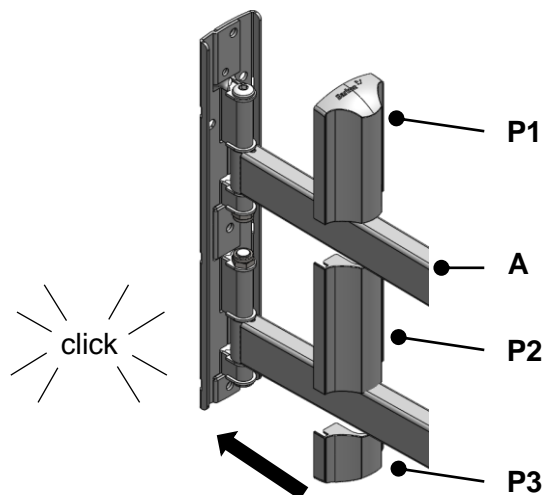


Grounding: Be advised - The mount must be grounded. A licensed electrician must perform the grounding according to the safety regulations of the local electricity authority.

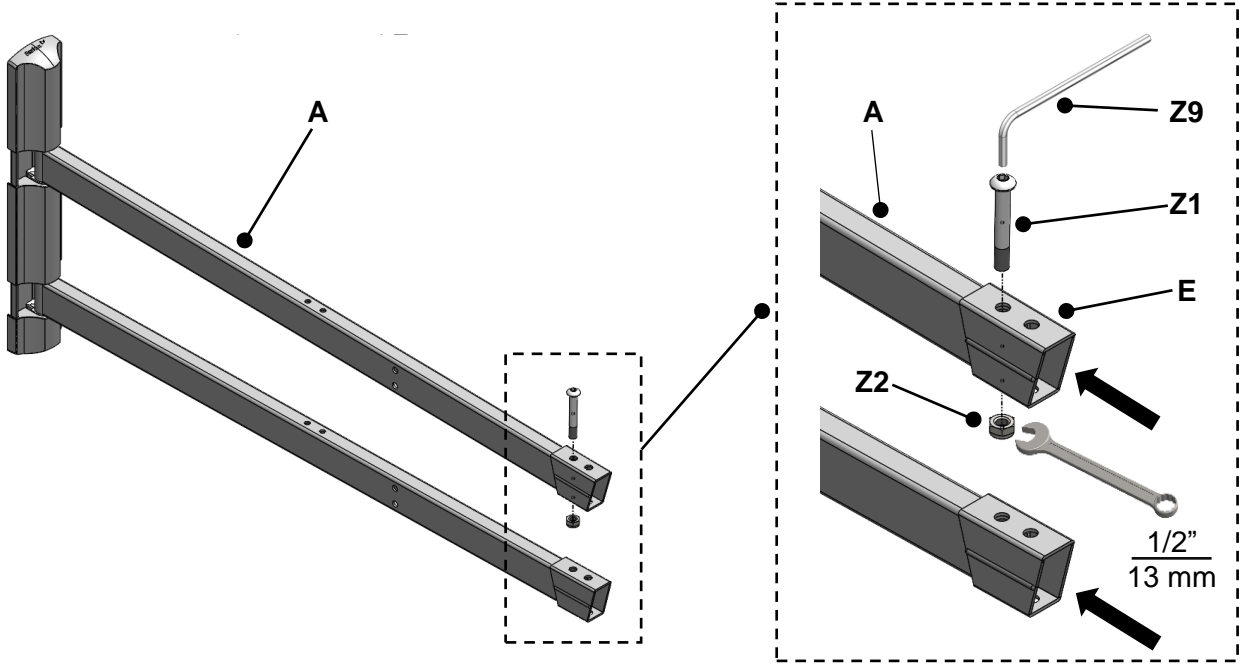
5 Weight test
Apply force on the edge of the upper back arm (A) and make sure it is connected securely



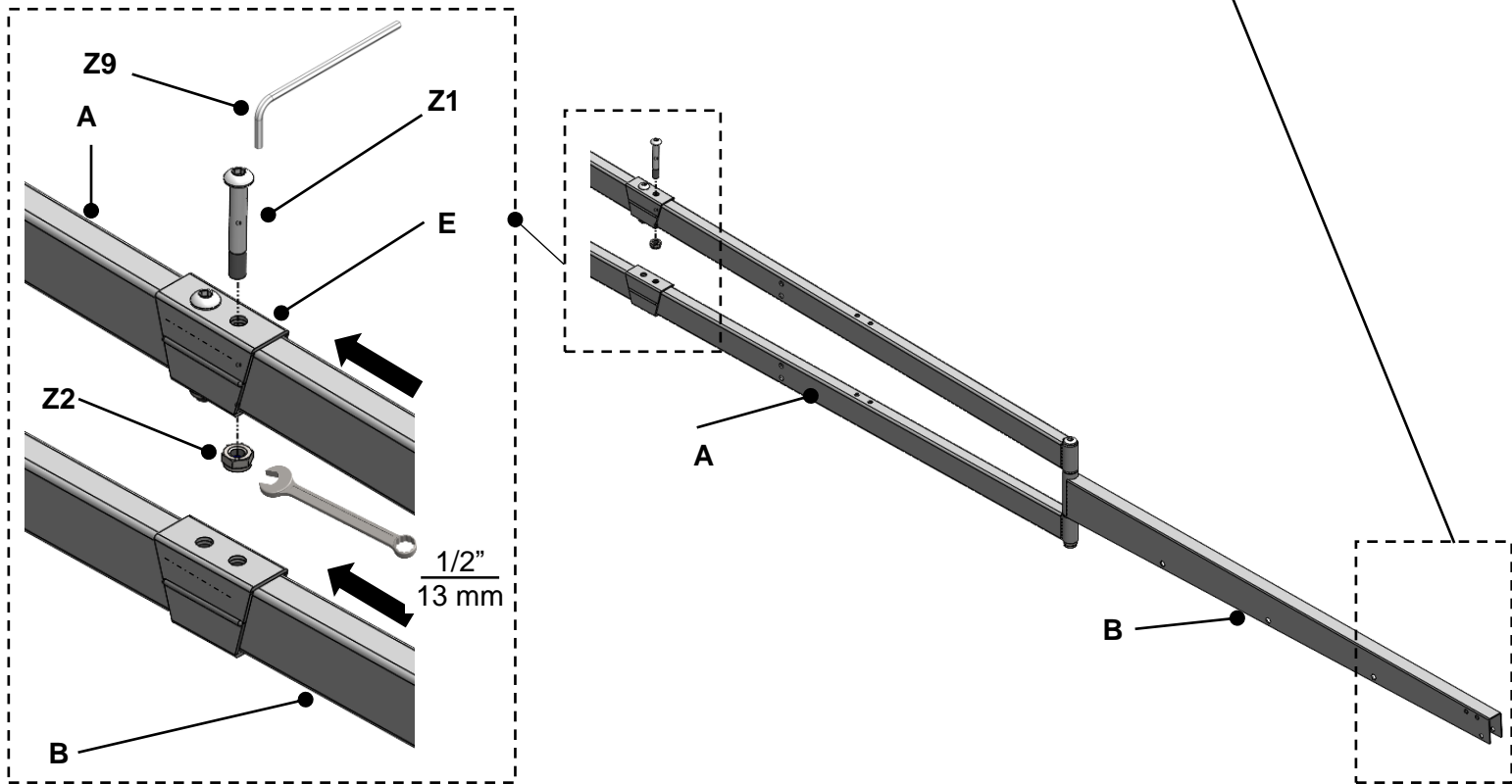
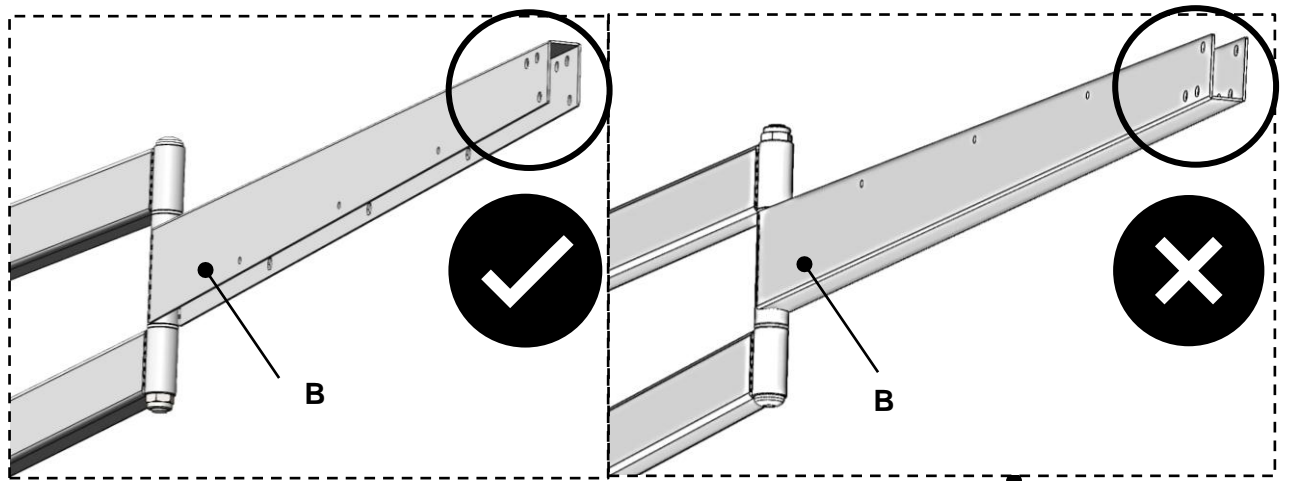
6 Assemble the wall plate covers (P) and snap them into place



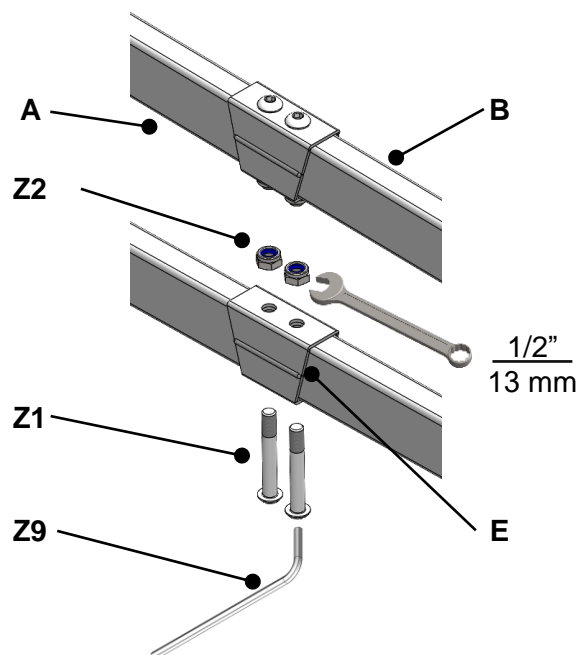
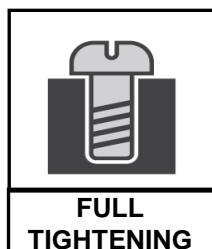
7 Assemble both Closed Arm Connectors (**E**) on the Back Arm (**A**). Tighten only the upper one using **Z1** screw and **Z2** nut.



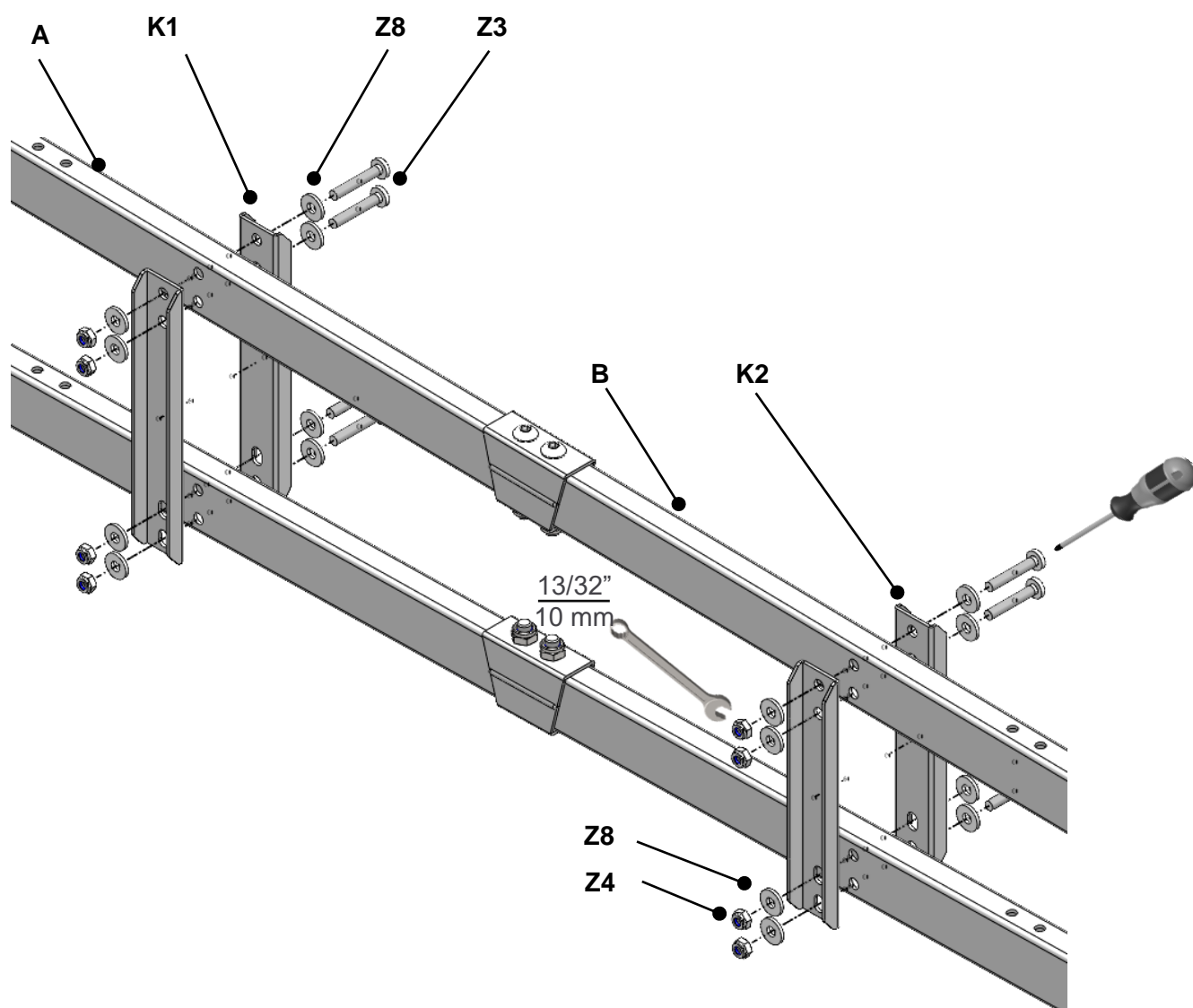
8 Assemble the Front Arm (**B**) to the Closed Arm Connectors (**E**) and tighten it to the upper one using **Z1** screw and **Z2** nut. Make sure the Front Arm (**B**) is facing up and not down.



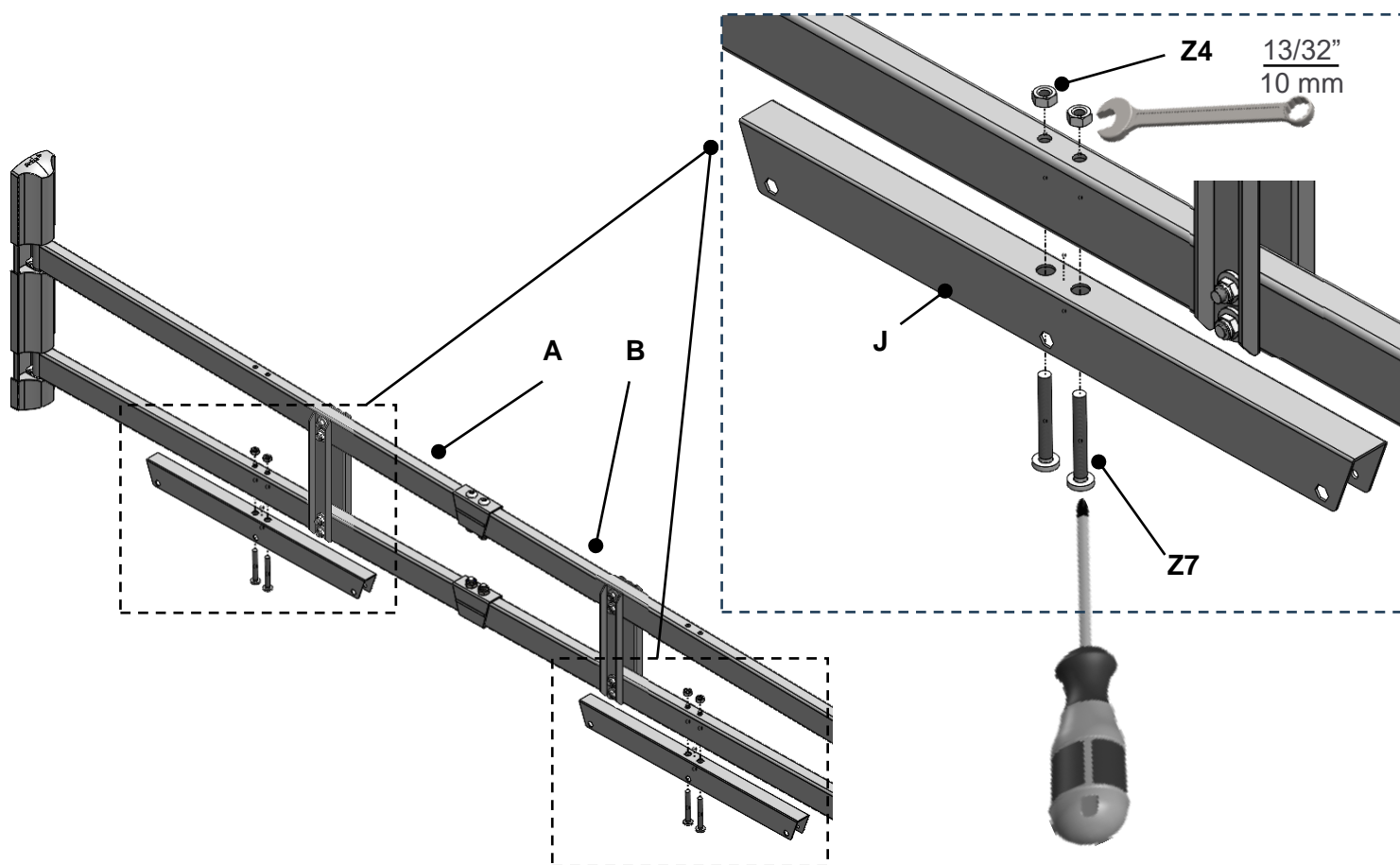
- 9 Tighten the bottom Closed Arm Connector (**E**) to the arms using **Z1** screws and **Z2** nuts.



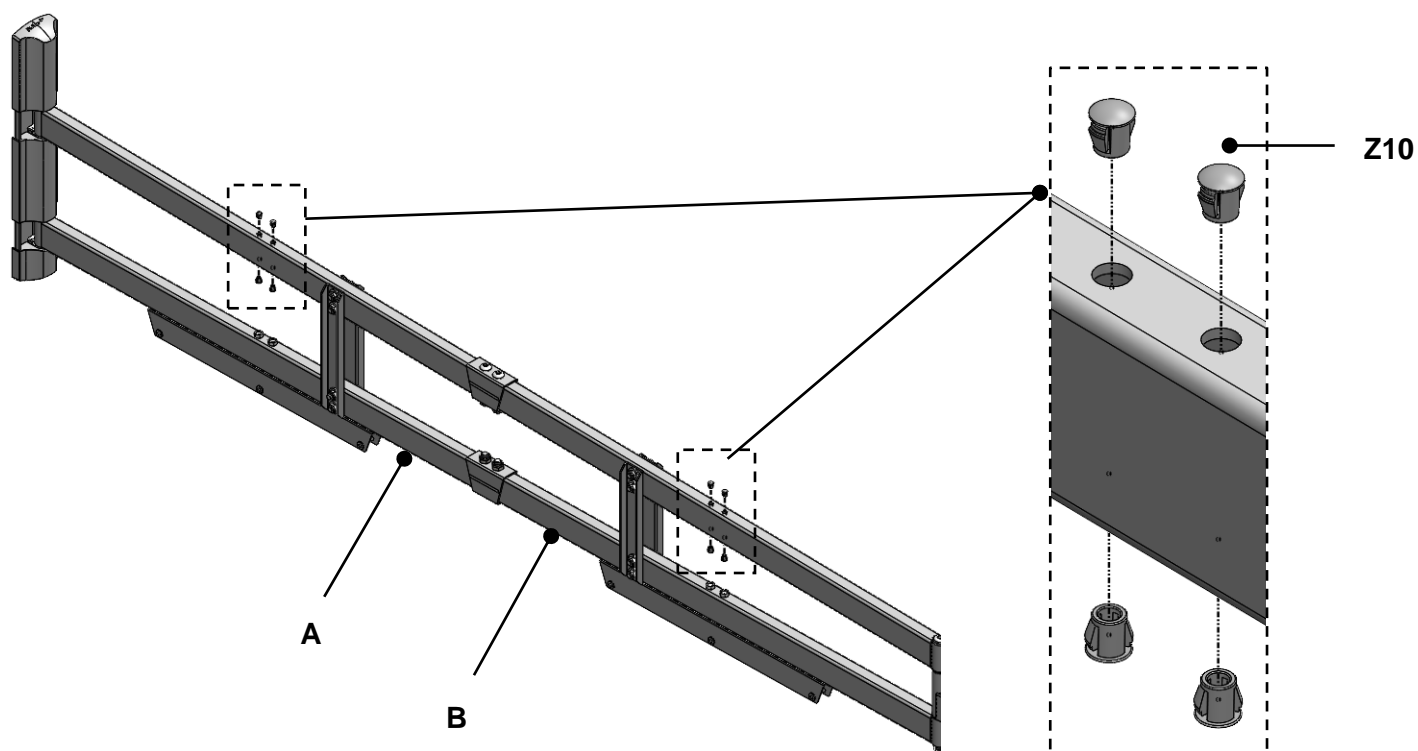
- 10 Assemble the Vertical Connectors (**K1**) to the Back Arm (**A**), and the Vertical Connectors (**K2**) to the Front Arm (**B**). Tighten them using **Z3** screws, **Z4** nuts, and **Z8** washers.



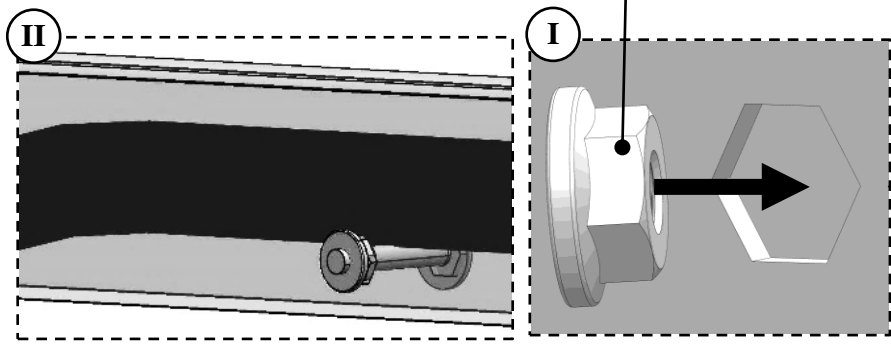
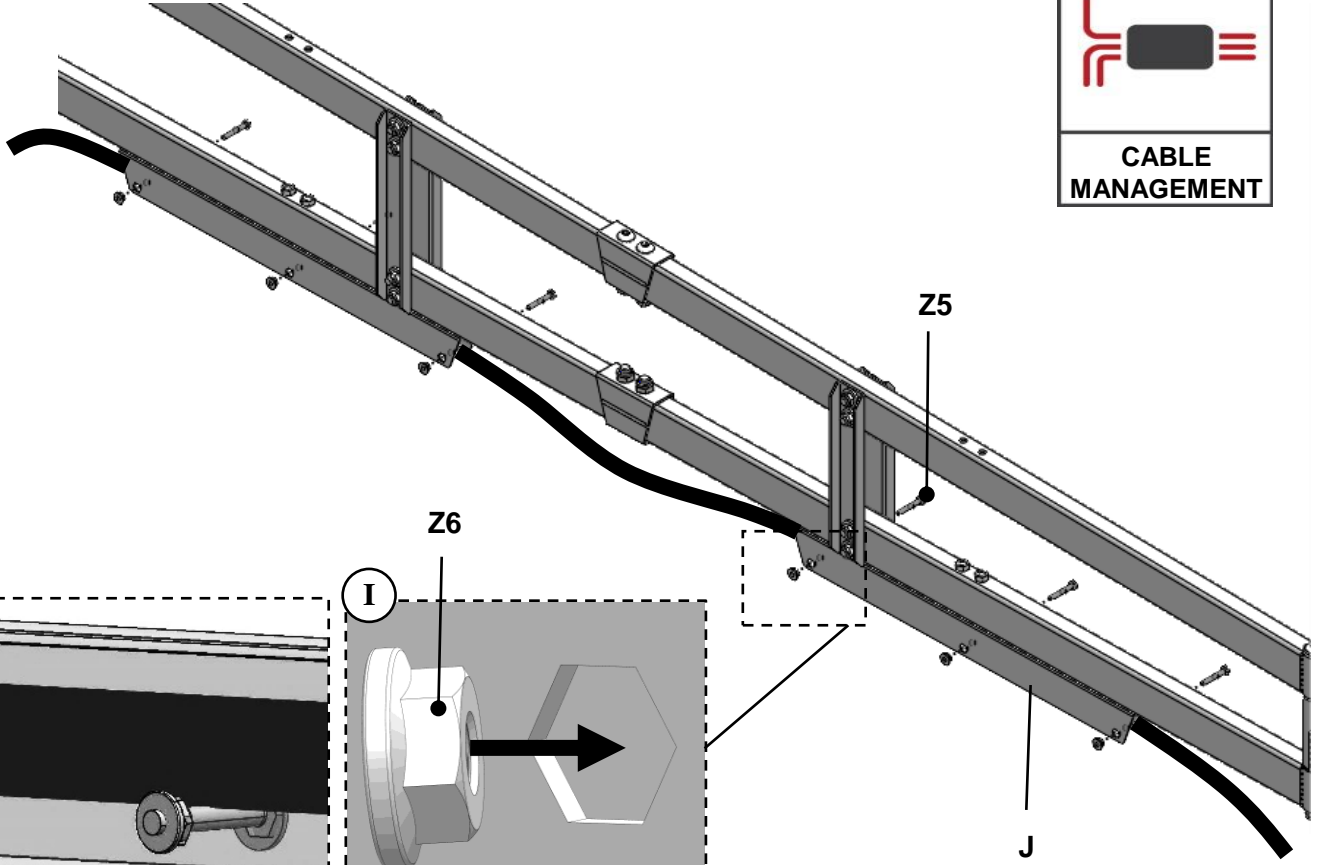
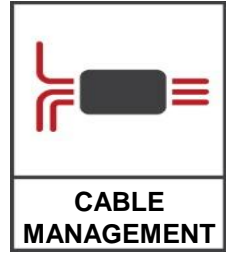
- 11** Assemble the Cable Managers (**J**) to the Back and Front Arms (**A+B**). Tighten them using **Z7** screws and **Z4** nuts.



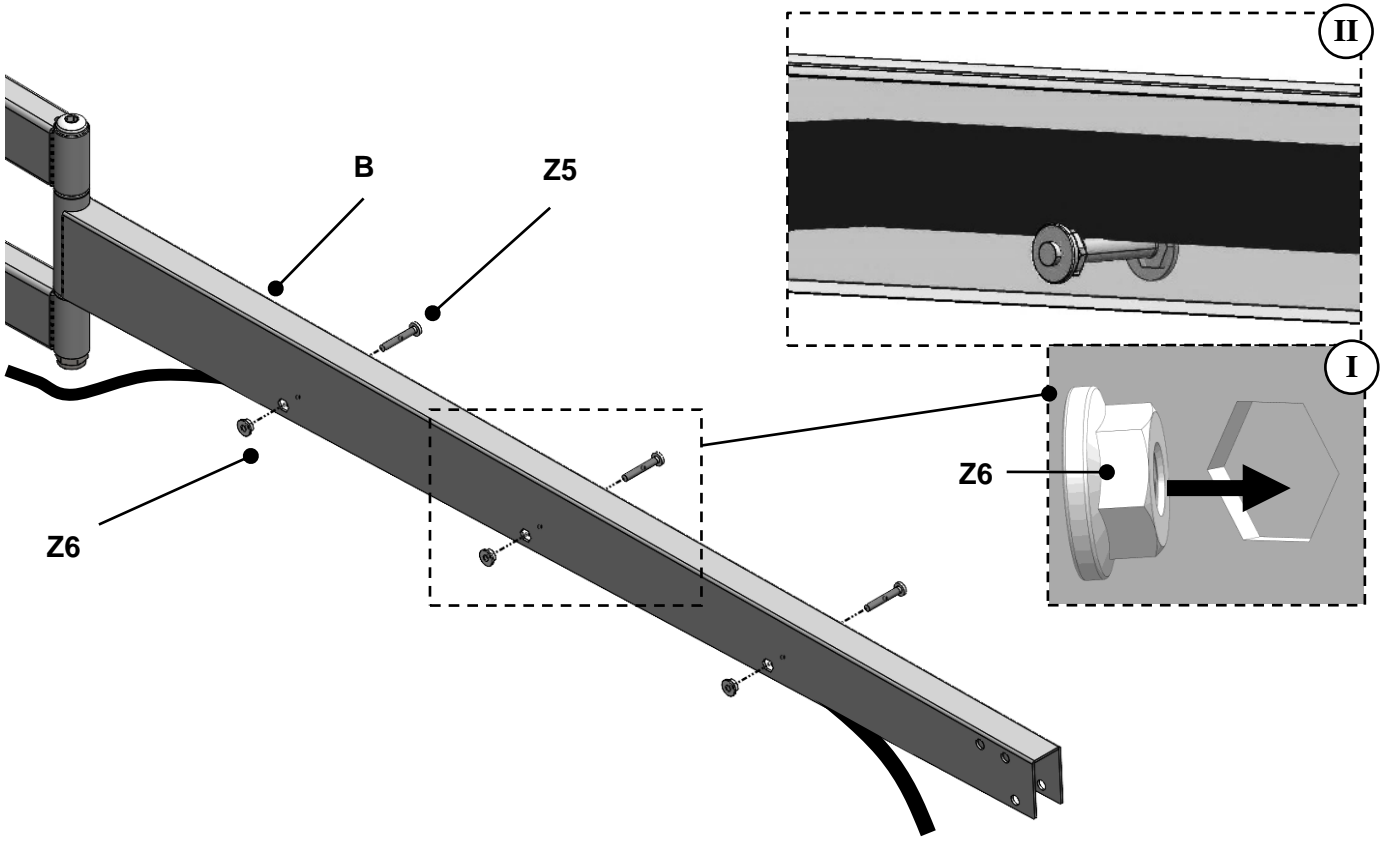
- 12** Assembly **Z10** Caps in the unused holes at the upper part of Back Arm (**A**) and Front Arm (**B**)



13 Insert the cable to the Cable Manager (**J**) and lock it by inserting **Z5** screws under it. Tighten **Z6** nuts on the screws.

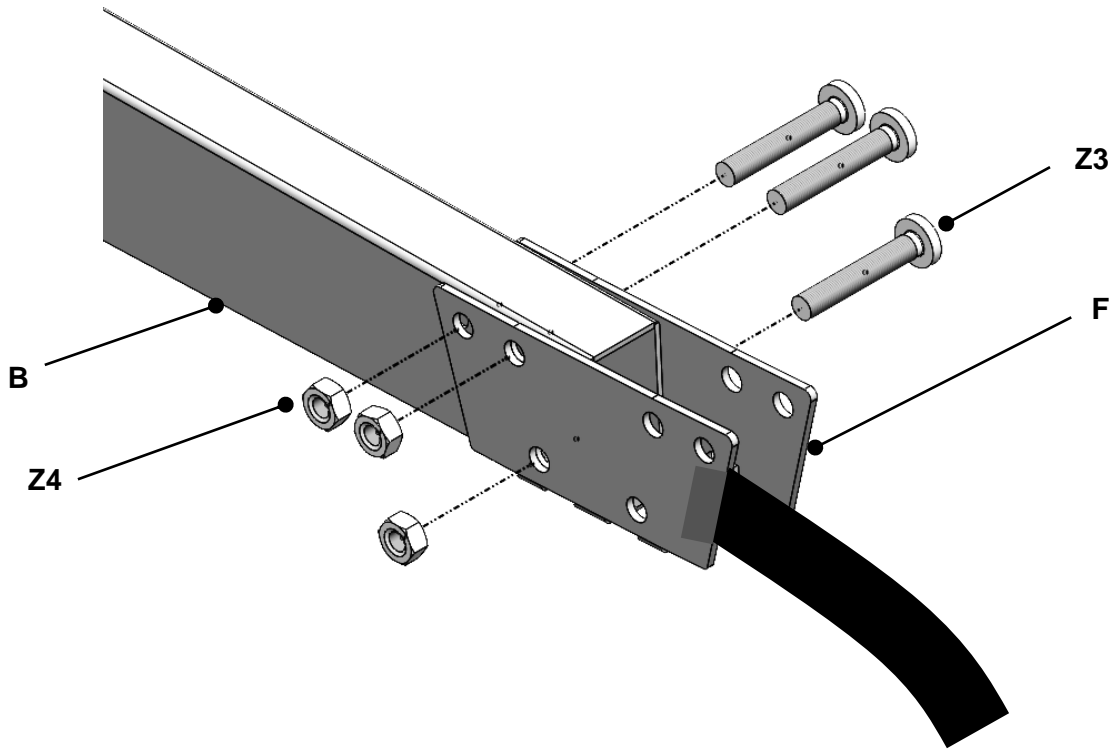


14 Lock the charging cable inside the Front Arm (**B**) by inserting **Z5** screws and **Z6** nuts under it.



15

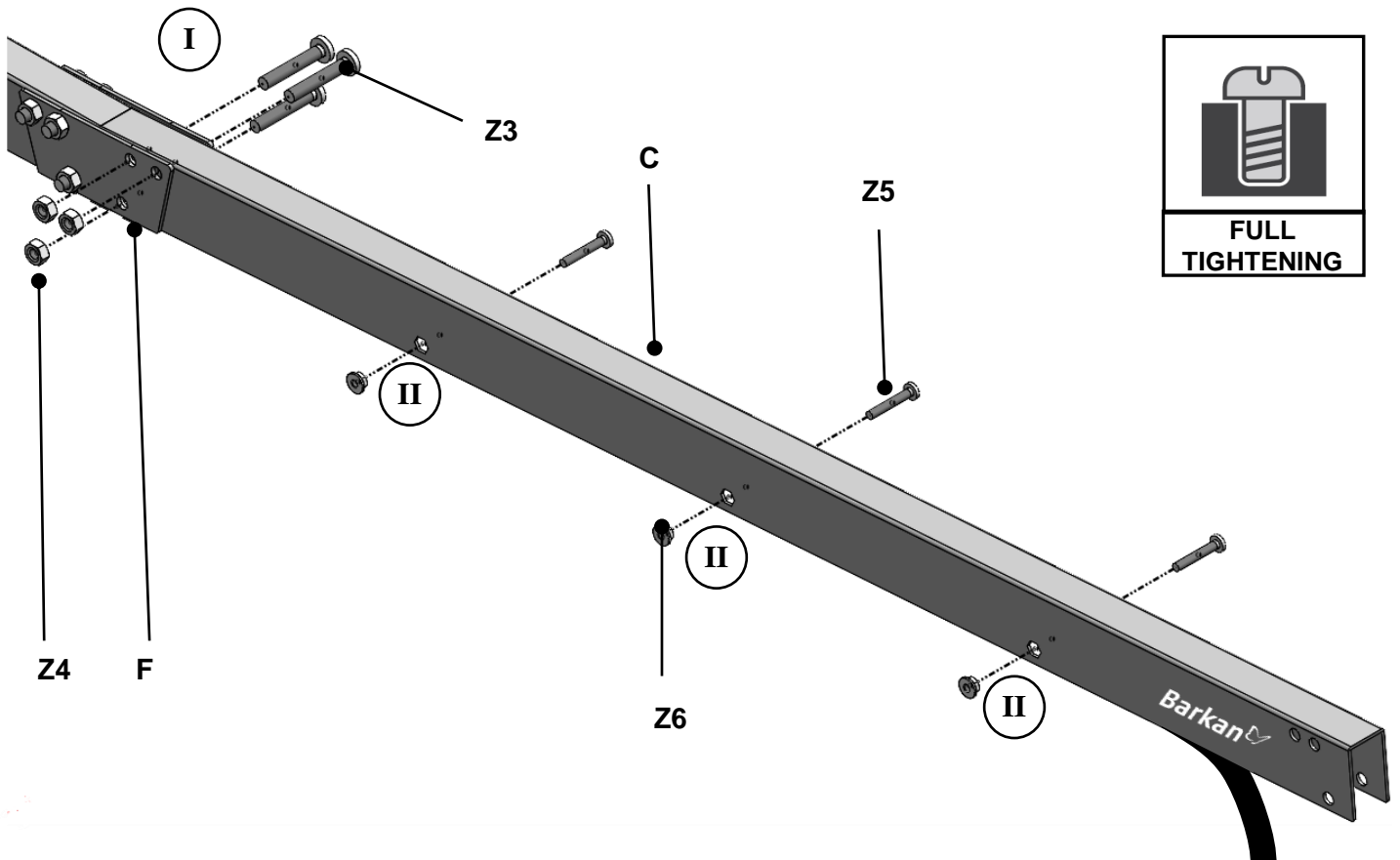
Place the charging cable inside the Open Arm Connector (**F**). Assemble the Open Arm Connector (**F**) to the Front Arm (**B**), so it locks the charging cable in its place. Tighten it using 2 **Z3** screws and **Z4** nuts, so that the charging cable runs between the upper and the lower screws.



16

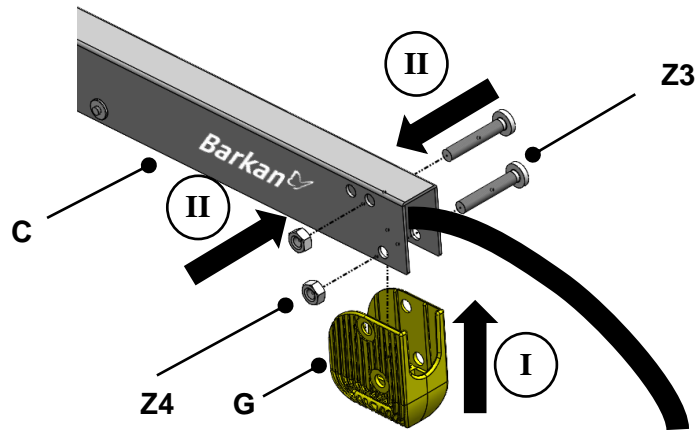
I) Connect the Extension Arm (**C**) to the Open Arm Connector (**F**). Tighten it using 2 **Z3** screws and **Z4** nuts, so that the charging cable runs between the upper and the lower screws.

II) Lock the charging cable inside the Extension Arm (**C**) by inserting **Z5** screws and **Z6** nuts under it.



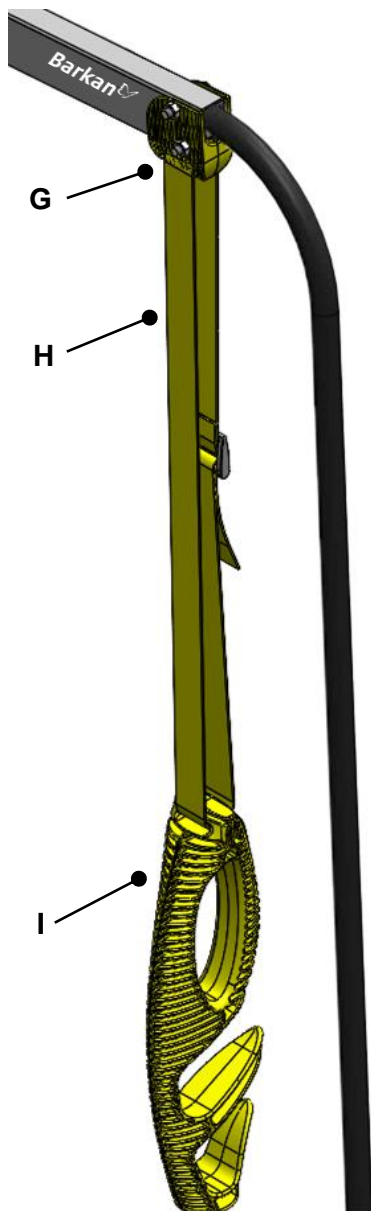
17

Assemble the strap connector (**G**) to the extension arm (**C**) and tighten it using 2 **Z3** screws and 2 **Z4** nuts, so that the charging cable runs between the upper and lower screws.



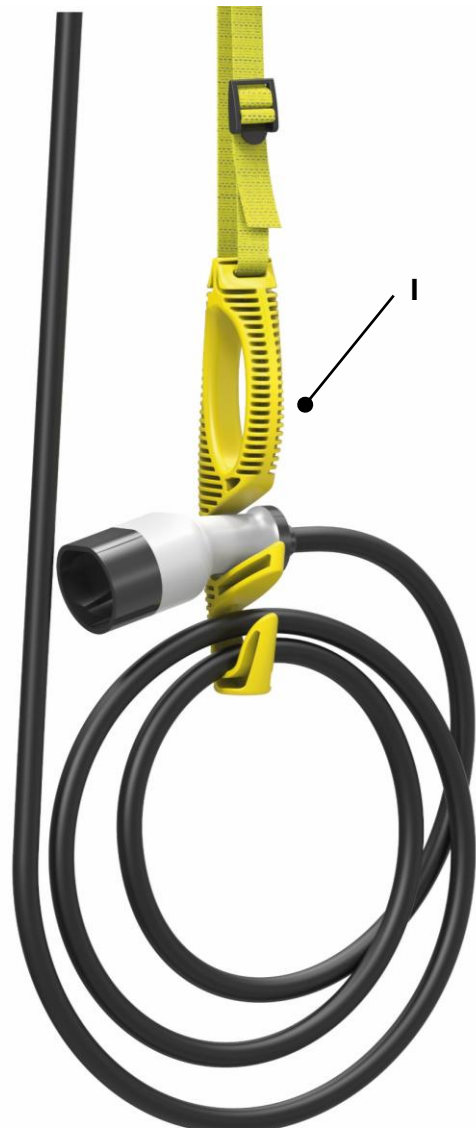
18

Thread the handle strap (**H**) through the strap connector (**G**) and the handle (**I**) and secure it with the buckle. Adjust the strap to the desired height.



19

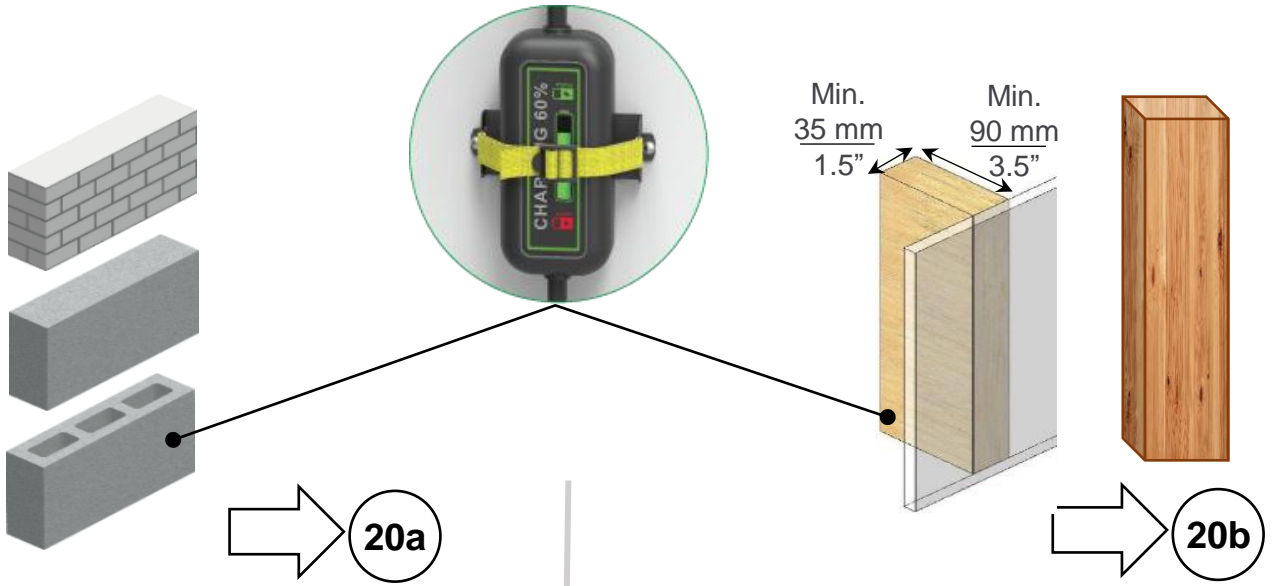
When finished charging, place the charging cable's handle in the designated holder and coil the excess cable on the handle (**I**). Rotate the mount to a place where it is not a safety hazard.



20

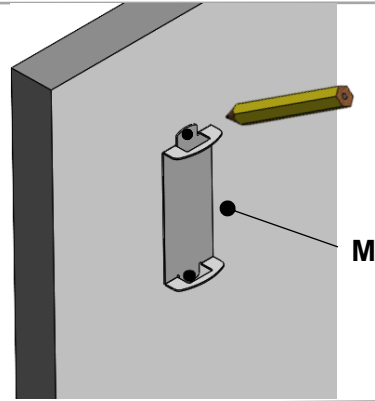
Optional: Hang the Control Box

continue according to your wall type



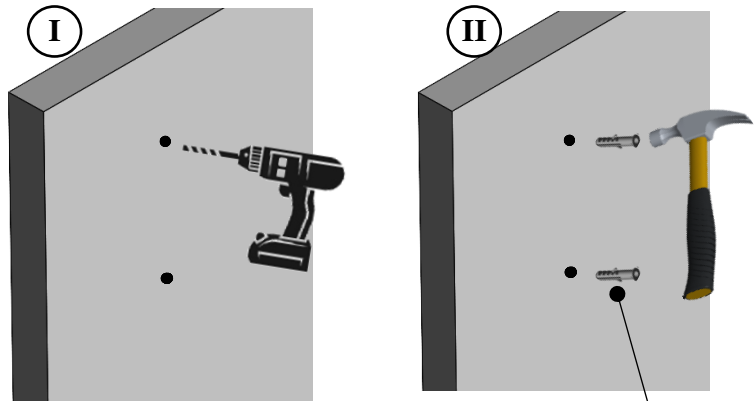
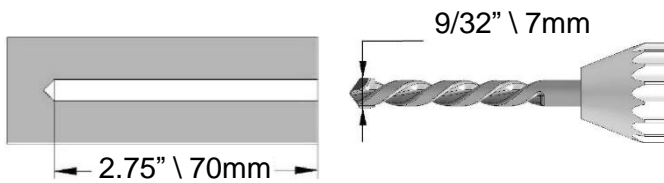
20a

Hold the control box bracket (**M**) against the wall and mark the holes on the wall according to the desired position.

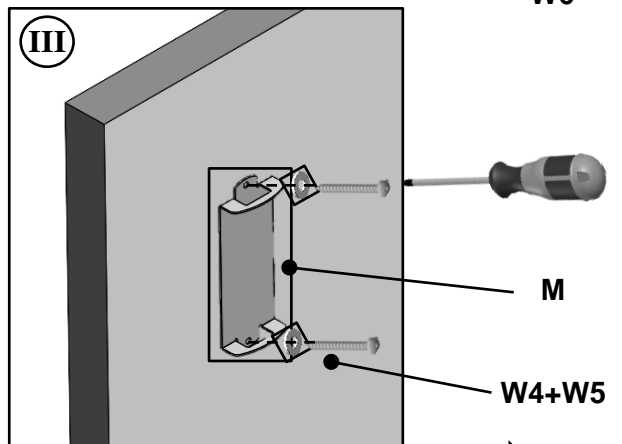
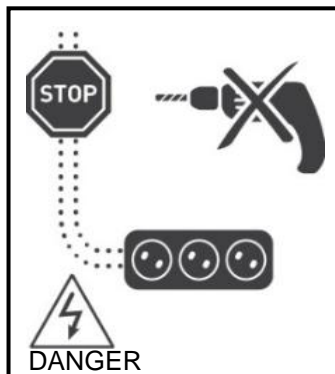


Drill holes, insert 2 **W6** anchors, and assemble the control box bracket (**M**) using 2 **W5** screws and 2 **W4** washers.

Use 9/32" \ 7mm drill bit

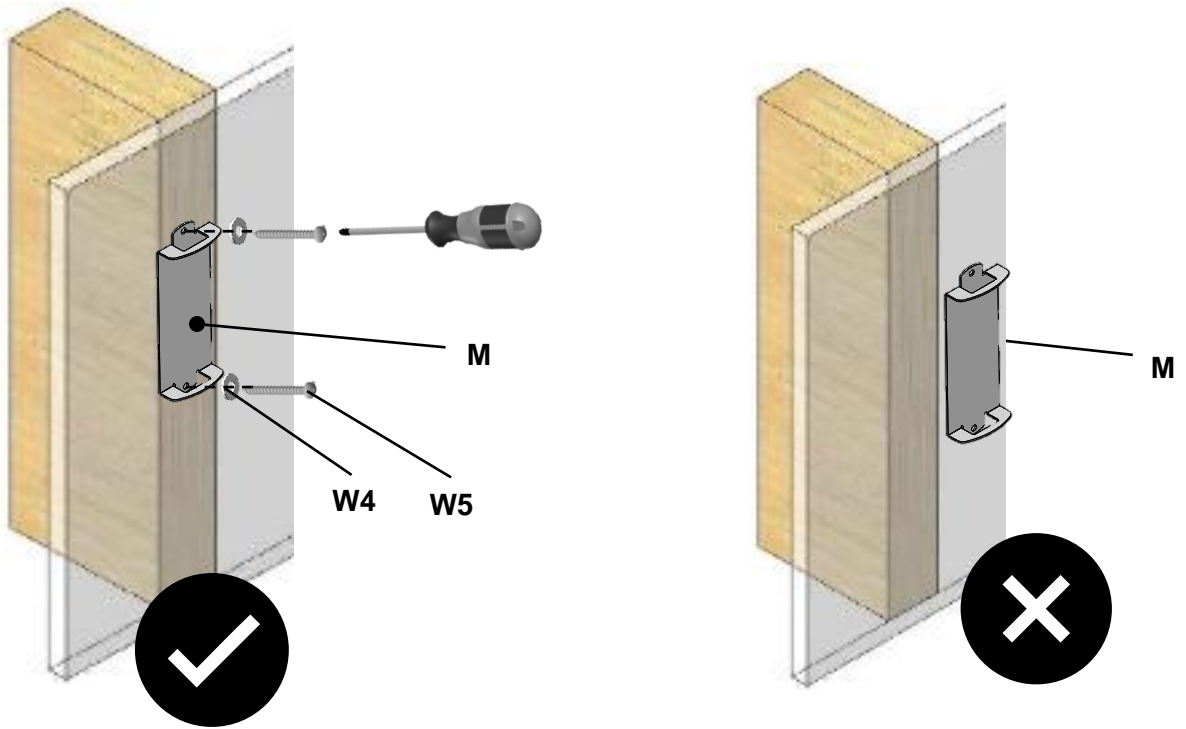


Make sure there are no electrical/water lines in the wall before drilling and then drill according to the markings

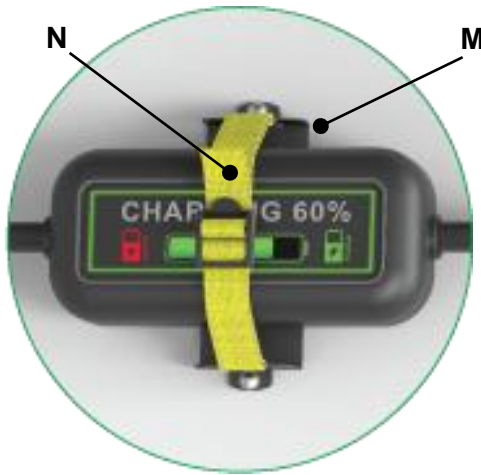


21



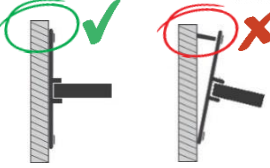



20b Assemble the control box bracket (**M**) using 2 **W5** screws, 2 **W4** washers and 1 **W6** anchor.



21 Thread the bracket strap (**N**) through the control box bracket (**M**). Place the charger box into the control box bracket (**M**) and secure it by tightening the bracket strap (**N**).



22 Periodic Care

Biannual safety inspection  JAN FEB MAR APR MAY JUN JUL AUG SEP OCT NOV DEC	Secured to wall  	Tightened bolts  	Lubricated hinges 
--	---	--	---

