

*If you have questions or comments, contact us.
Pour toute question ou tout commentaire, nous contacter.
Si tiene dudas o comentarios, contáctenos.*

1-888-895-4549 • www.DEWALT.com

INSTRUCTION MANUAL
GUIDE D'UTILISATION
MANUAL DE INSTRUCCIONES

Instructivo de operación, centros de servicio y
póliza de garantía. **Advertencia:** léase este
instructivo antes de usar el producto.

DEWALT®

DXCM009-0369

28 Gallon Abrasive Blaster with Vacuum

Décapeuse par abrasif de 28 gallons avec aspirateur

Limpiador de chorro abrasivo de 28 galones con aspiradora

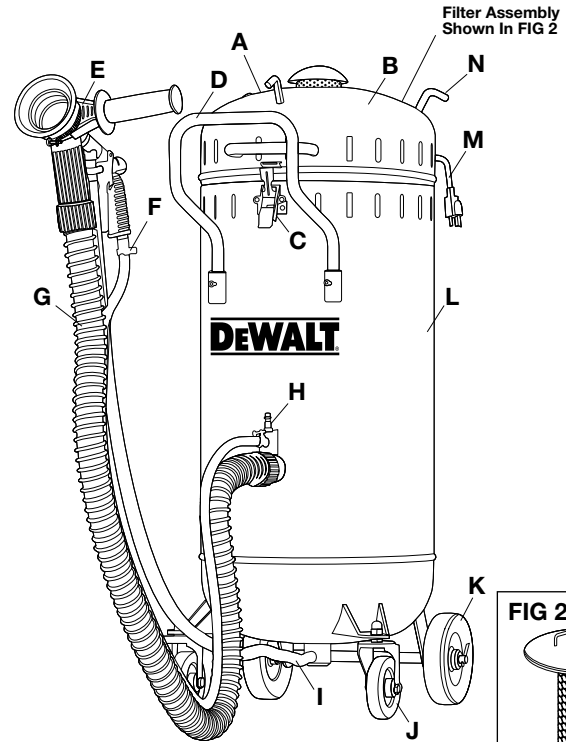
DXCM009-0369 Abrasive Blast Vacuum

- A. On / Off Power Switch
- B. Lid
- C. Latch
- D. Handle
- E. Blast Gun with Brush
- F. Air Line Gun
- G. Vacuum Hose
- H. Air Line In From Compressor
- I. Abrasive Media Hose
- J. Caster (2x)
- K. Wheel (2x)
- L. Tank
- M. Power Cord
- N. Power Cord Wrap
- O. Filter Assembly

Specifications

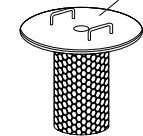
MODEL	DXCM009-0369
NET WEIGHT	64 lbs. (29.02 kg)
AVERAGE AIR CONSUMPTION	5.5-6.5 SCFM @ 115 PSI
MAX. WORKING PRESSURE	140 PSI
ABRASIVE CAPACITY	20-35 LBS
INPUT	Single Phase 120V
OVERALL DIMENSIONS	19.6" x 16.5" x 38.7"

FIG 1



Abrasive Blast Vacuum

FIG 2



Abrasive Blast Vacuum Filter Assembly

Definitions: Safety Guidelines

The definitions below describe the level of severity for each signal word. Please read the manual and pay attention to these symbols.

⚠ DANGER: Indicates an imminently hazardous situation which, if not avoided, will result in death or serious injury.

⚠ WARNING: Indicates a potentially hazardous situation which, if not avoided, could result in death or serious injury.

⚠ CAUTION: Indicates a potentially hazardous situation which, if not avoided, may result in minor or moderate injury.

NOTICE: Indicates a practice not related to personal injury which, if not avoided, may result in property damage.

If you have any questions or comments about this or any DEWALT tool, call us toll free at: 1-888-895-4549

Important Safety Instructions

⚠ WARNING: CONTAINS LEAD. May be harmful if eaten or chewed. May generate dust containing lead. Wash hands after use. Keep out of reach of children.

⚠ WARNING: Some dust created by power sanding, sawing, grinding, drilling, and other construction activities contains chemicals known to the State of California to cause cancer, birth defects or other reproductive harm. Some example of these chemicals are:

- Lead from lead-based paints

- Crystalline silica from bricks, cement and other masonry products

Arsenic and chromium from chemically-treated lumber
Your risk from these exposures varies, depending on how often you do this type of work. To reduce your exposure to these chemicals: work in a well ventilated area, and work with approved safety equipment, always wear OSHA/MSHA/NIOSH approved, properly fitting face mask or respirator when using such tools. When using air tools, basic safety precautions should always be followed to reduce the risk of personal injury.

⚠ WARNING: This product can expose you to chemicals including Lead, which are known to the State of California to cause cancer and birth defects or other reproductive harm. For more information go to www.P65Warnings.ca.gov.



Save these instructions

⚠ WARNING: Improper operation or maintenance of this product could result in serious injury and property damage. Read and understand all warnings and operating instructions before using this equipment. Read instruction manual for compressor prior to using this product. When using air tools, basic safety precautions should always be followed to reduce the risk of personal injury.

⚠ WARNING:



Operators and others in work area must wear ANSI Z87.1 CAN/CSA Z94.3 approved safety glasses with side shields.



Operators and others in work area must wear hearing protection.

⚠ WARNING:

- **Read all manuals included with this product carefully. Be thoroughly familiar with the controls and the proper use of the equipment.**
- **Any blast product will produce a powerful flow of abrasive particles. To avoid personal injury and property damage, study this manual thoroughly before assembling, operating or servicing this abrasive blast vacuum. Never point abrasive blaster nozzle at anyone. Do not use with lid open.**
- **Do not exceed any pressure rating of any component in the system.**
- **Do not use damaged or worn attachments.**
- **During operation, do not expose hands or skin directly in the line of the blast nozzle.**
- **Keep all nuts, bolts and screws tight and ensure equipment is in safe working condition.**
- **Disconnect the abrasive blast vacuum from the air supply before changing accessories or attempting to install, service, relocate or perform any maintenance.**
- **Check hose and air lines for weak or worn condition and make sure all connections are secure before each use.**
- **Use in a well ventilated area to prevent exposure to blast media and air born particles.**

- **Do not expose blast vacuum to moisture. Do not use in damp or wet locations. Keep out of rain.**
- **Ground all machines. If the machine is equipped with a three-pin plug, it should be plugged into a three-pin electrical socket. Never remove the ground pin.**
- **Do not abuse the power cord. Never use the power cord to carry tools or pull the plug from the outlet. Keep power cord away from heat, sharp edges, moving parts and blast stream. Replace damaged power cords immediately. Damaged power cords increase the risk of electrical shock.**
- **Use clamps or other practical means to secure and support the work piece to a stable platform. Holding the work by hand or against your body may lead to loss of control.**
- **Keep children away. All children should be kept away from the work area. Never let a child handle a tool without strict adult supervision.**

Grounding Instructions

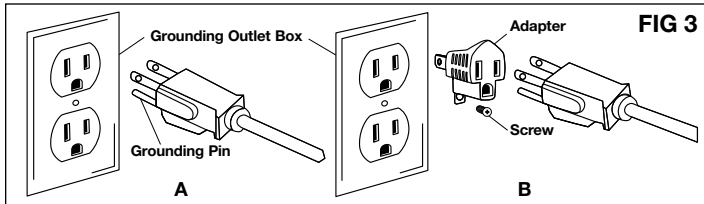
In the event of malfunction or breakdown, grounding provides a path of least resistance for electric current to reduce the risk of electric shock. The vacuum must be connected to a cord having an equipment-grounding conductor and a grounding plug. The plug must be plugged into an appropriate outlet that is properly installed and grounded in accordance with all local codes and ordinances.

⚠ DANGER: Improper connection of the equipment grounding conductor can result in a risk of electric shock. The conductor with insulation having an outer surface that is green with or without yellow stripes is the equipment grounding conductor.

If repair or replacement of the cord or plug is necessary, do not connect the equipment-grounding conductor to a live terminal. Check with a qualified electrician or service person if the grounding instructions are not completely understood, or if in doubt as to whether the vacuum is properly grounded. Do not modify the plug connected to the vacuum – if it will not fit the outlet, have a proper outlet installed by a qualified electrician.

NOTE: for grounded, cord-connected vacuum rated less than 15a and intended for use on a nominal 120v supply circuit

The vacuum is for use on a nominal 120V circuit, and should be connected to a grounding outlet that looks like that illustrated in sketch **A, FIG 3**. A temporary adaptor, which looks like the adaptor illustrated in sketch **B, FIG 3**, may be used to connect this plug to a 2-pole receptacle as shown in sketch **B** if a properly grounded outlet is not available. The temporary adaptor should be used only until a properly grounded outlet can be installed by a qualified electrician. The green colored rigid ear, lug, and the like, extending from the adaptor must be connected to a permanent ground such as a properly grounded outlet box cover. Whenever the adaptor is used, it must be held in place by the metal screw.



NOTE: in canada, the use of a temporary adaptor is not permitted by the canadian electrical code.

Ensure that the vacuum is connected to an outlet having the same configuration as the plug.

Use of Extension Cords with Vacuum

Only use a grounded extension cord that is rated at least 12 amps and has a third-wire ground. When a long extension cord is used to connect the vacuum, a voltage drop occurs. The longer the cord, the greater the voltage drop. This results in less voltage being supplied to the vacuum and increases the amount of current (amp) draw or reduces performance. A heavier cord with a larger wire size will reduce the voltage drop. Be sure to choose a cord that will supply enough voltage to operate the vacuum. The table below indicates appropriate gauge for extension cords.

Minimum Gauge for Extension Cord Sets						
Ampere Rating	Volts		Total Length of Cord in Feet (meters)			
	120V	240V	25 (7.6)	50 (15.2)	100 (30.5)	150 (45.7)
	240V	50 (15.2)	100 (30.5)	200 (61.0)	300 (91.4)	
>	<	AWG				
0	6	18	16	16	14	
6	10	18	16	14	12	
10	12	16	16	14	12	

⚠ WARNING: Keep electrical cords in good condition. Do not use worn, bare, or frayed cords because they can cause electrical shock.

⚠ DANGER: Risk of explosion or fire.



Fire or Explosion Hazard! DO NOT USE an abrasive blaster around combustible or flammable liquids, dust gases, oily rags or other materials that can explode or burn quickly. Some abrasives create sparks when they hit surfaces. Abrasives similar to aluminum oxide may generate static electric sparks which will cause fires or explosions in an unsafe environment.



explosions in an unsafe environment.

⚠ DANGER: Risk to breathing (asphyxiation).



Dust can be created when you sweep, blast, cut, drill or grind materials such as wood, paint, metal, concrete, cement, or other masonry. This dust often contains chemicals known to cause cancer, birth defects or other reproductive harm. Make sure to wear protective gear.

⚠ CAUTION: Risk of static shock.



Static electric shocks can be painful. Please wear leather or rubber soled shoes or boots and stand on the ground to avoid static electricity.

**⚠ DANGER: SILICOSIS AND OTHER DUST WARNINGS
DO NOT USE SAND!**

While the vacuum assisted reclaiming system on this product does a good job of dust containment, breathing dust from silica sand may cause silicosis, a fatal lung disease. Breathing dust

during blasting operations may also cause asbestosis and/or other serious or fatal diseases.

A NIOSH-approved, well maintained abrasive blasting respirator must be used by anyone blasting, anyone handling or using media containing toxic substances or media with free crystalline silica and anyone in the area of the dust. Harmful dust can remain suspended in the air for long periods of time after blasting has ceased, causing serious injury or death.

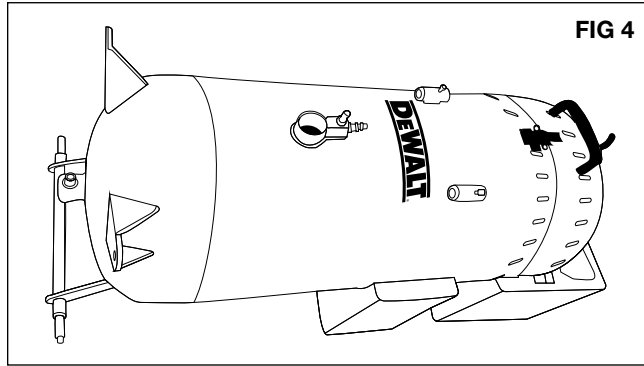
Before removing respirator, use an air monitoring instrument to determine if the atmosphere is safe to breathe. Contact the local OSHA or NIOSH office to determine the proper respirator for your particular application.

READ THESE SAFETY PROCEDURES IN THEIR ENTIRETY. PARTS OF THE OPERATING INSTRUCTIONS ARE WITHIN THESE WARNINGS.

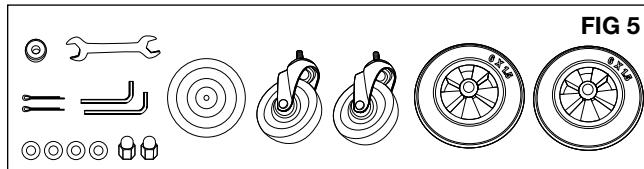
These procedures are not intended to be exhaustive due to the many variables in the abrasive blasting field. Therefore, we INSIST that the hands, ears, mouth, nose and eyes be covered with the appropriate safety protection at all times.

Assembly

1. Remove unit from packaging and place on level surface with unit laying down. **FIG 4**

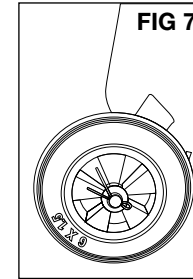
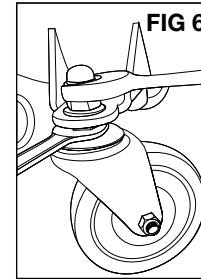


2. Remove all hardware from box and layout out for assembly process. **FIG 5**

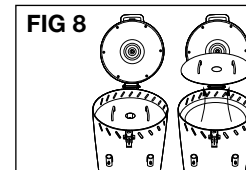


3. Assemble the 2 front caster wheels **FIG 6**: Insert the threaded portion of the caster through the hole in the leg as shown. Install flat washer and nut. While holding the caster with the

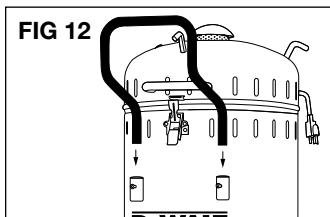
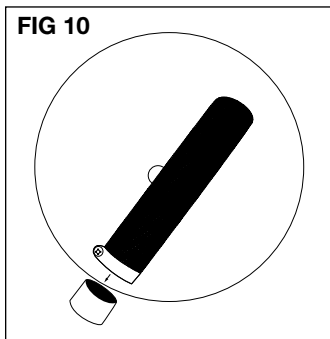
wrench provided, tighten nut with a 19 mm wrench (not included).



4. Assemble the rear 2 wheels with flat washer and cotter pin: Using pliers, bend the longer leg of the cotter pin back to prevent it from falling out.
5. Stand the unit up on its wheels. Unlatch the lid and open fully to access the filter assembly (No tools required). Remove the filter assembly by holding the handles and tilt at an angle and pull up and out. **FIG 8**
6. Set filter assembly aside. Remove the handle, suction screen and hoses located inside tank. **FIG 9**

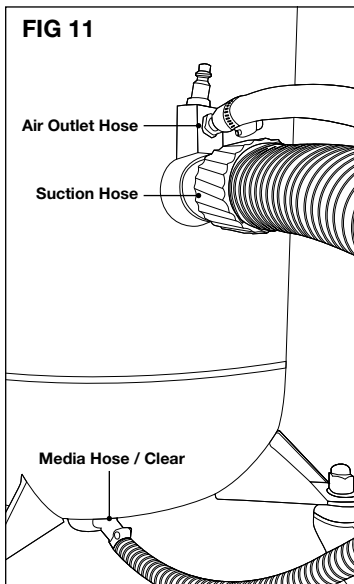


7. Assemble media screen to port and secure with hose clamp **FIG 10**. After completion, reinstall filter assembly. Close and latch lid.



8. Assemble hoses using hose clamps provided (no clamp required for suction hose). Install all hoses fully onto their connections. Reference **Fig 11**.

NOTE: it may be easier to lay the unit flat to install the media hose on the bottom of the tank.



9. Fully insert handle into tubes and secure bolts with provided Allen wrench. **FIG 12**

Operation: Ready to Use

1. **⚠ WARNING: Make sure all PPE gear is in place and put on.**
2. Unlatch, open lid and remove filter assembly to add media (see media guide). Do not overfill. When filling, keep media below bottom of media screen. Capacity is 20-35 lbs.
3. Connect air hose coupler to air inlet plug located on side of the unit (Step 8) **Fig 11**. 115 PSI and 10 SCFM recommended

⚠ WARNING: Do not exceed 140 PSI.

4. Connect power cord to 120 VAC power source. Connect power cord to a grounded 120V power supply. See **Grounding Instructions**, Page 4.
5. With gun pointed at surface to be cleaned, turn the power switch on the vacuum head to the ON position.
6. Use one hand to hold the gun and your other hand to hold the brush handle.

NOTE: Maintain light pressure against the surface being cleaned with the end of the brush!

The brush function is only intended to prevent abrasive waste and to develop and maintain a closed vacuum cycle for the abrasive to be recycled. The brush is NOT intended to assist in the abrasion process.

7. Before starting, spread out the bristles with light pressure against the work surface in such a way that it does not cover the jet spray inside the brush. Move gun/brush in a slow steady rhythm to remove paint.

NOTE: Always keep brush bristles against work surface.

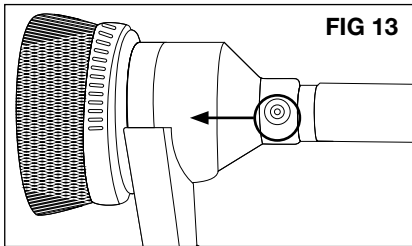
Bristle brush works best on flat surfaces but can also be used on angles and corners.

▲ CAUTION: *When using the blast vacuum on angles and corners beware of over spray.*

8. Blast Stream Adjustment:

NOTE: **The Blast Vacuum is set from the factory at the optimal blast stream.**

To adjust the blast stream loosen the set nut and move nozzle outward for a more open blast stream. See **Fig 13**.



Maintenance and Cleaning

▲ WARNING: *Disconnect power and air supply before the maintenance is performed. Never perform any maintenance with the abrasive blast vacuum under pressure.*

Cleaning: Please clean the abrasive blast vacuum or parts with a soft cloth. DO NOT use any solvents to clean the blast vacuum or parts inside.

After each job, undo latch and raise vacuum head. Knock the dust from the filter. After 1 hour of continuous blasting, remove the filter assembly and blow off with direct air or shop vacuum.

Air Supply Maintenance: Every day maintain the air supply according to the manufacturer's instructions. Drain the moisture from the filter regularly. Moisture from the air source will cause clogging, flow problems and may cause component failure that is not covered under warranty.

Performing routine air supply maintenance will reduce moisture contamination of abrasive media, which will decrease performance.

Abrasive: Use good quality, abrasives that are designed to be recycled. Take necessary precautions to keep abrasives dry between uses. Keep abrasives dry.

Replace abrasive when the abrasive breaks down. Worn abrasive will reduce performance.

NOTICE: **DO NOT USE SAND!** Always wear proper PPE when changing abrasives.

Avoid abrasive clogging: Keep abrasive dry! Nozzle size should be 3-4 times larger than the size of the abrasive being used. If abrasive stops flowing check for obstructions in the suction line and nozzle.

Service and Adjustments

NOTE: ALL MAINTENANCE AND REPAIR OPERATIONS MUST BE PERFORMED BY TRAINED SERVICE TECHNICIAN.

⚠ WARNING: Risk of unsafe operation. When servicing, you may be exposed to voltage sources, compressed air, or moving parts. Before servicing unit, disconnect power and air supply to the unit.

Additional Service

Disassembly or service of the product beyond what is covered in this manual is not recommended. If additional service is required, contact your nearest Authorized Warranty Service Center.

Accessories

Recommended accessories for use with your tool are available for purchase from your local dealer or authorized service center. If you need assistance in locating any accessory for your tool, please call 1-888-895-4549 or visit our website www.dewalt.com.

Service Information

Please have the following information available for all service calls:
 Model Number _____ Serial Number _____
 Date and Place of Purchase _____

Repairs

To assure product SAFETY and RELIABILITY, repairs, maintenance and adjustment should be performed by a DeWALT factory service

center, a DeWALT authorized service center or other qualified service personnel. Always use genuine replacement parts.

Limited Warranty

DeWALT Industrial Tools are warranted from date of purchase.

1 Year – Limited on all sand blast tools. This warranty is not transferable to subsequent owners.

DeWALT will repair or replace, without charge, at DeWALT's option, any defects due to faulty materials or workmanship. For further detail of warranty coverage and warranty repair information, call 1-(888)-895-4549 or visit dewalt.com. This warranty does not apply to accessories or damage caused where repairs have been made or attempted by others. This warranty also does not apply to merchandise sold by DeWALT which has been manufactured by and identified as the product of another company, such as gasoline engines. Such manufacturer's warranty, if any, will apply. **ANY INCIDENTAL, INDIRECT OR CONSEQUENTIAL LOSS, DAMAGE OR EXPENSE THAT MAY RESULT FROM ANY DEFECT, FAILURE OR MALFUNCTION OF THE PRODUCT IS NOT COVERED BY THIS WARRANTY.** Some states do not allow the exclusion of limitation of incidental or consequential damages, so the above limitation or expulsion may not apply to you.

IMPLIED WARRANTIES, INCLUDING THOSE OF MERCHANTABILITY OR FITNESS FOR A PARTICULAR PURPOSE, ARE LIMITED TO ONE YEAR FROM THE DATE OF ORIGINAL PURCHASE. Some states do not allow limitations on how long an implied warranty last, so the above limitations may not apply to you.

What the Company Will Do: (the company) will cover parts and labor to remedy substantial defects due to materials and workmanship during the first year of ownership, with the exceptions noted below. Parts used in repair of whole goods or accessories are warranted for the balance of the original warranty period.

Free Warning Label Replacement: If your warning labels become illegible or are missing, call 1-888-895-4549 for a free replacement.



Troubleshooting Guide

This section provides a list of the more frequently encountered malfunctions, their causes and corrective actions. The operator or maintenance personnel can perform some corrective actions, and others may require the assistance of a qualified DeWalt technician or your dealer.

Problem	Code
Decrease in blast performance	1
Decrease in vacuum performance	2
Abrasive coming out between bristles of brush	3

⚠ WARNING: Disconnect power and air before the maintenance is performed. Never perform any maintenance with the cabinet under pressure.

Code	Possible Cause	Possible Solution
1	<ul style="list-style-type: none"> • Possible low air pressure • Moisture in the abrasive • Dirty Filter • Abrasives are "worn" or too fine • Gun Blockage 	<ul style="list-style-type: none"> • Check air compressor and hose for leaks. • Verify CFM input is compatible with blaster/vacuum. • Air must be clean and dry. Check air line filter. • Clean filter thoroughly. • Change abrasive. • Disconnect air and power, unscrew nozzle and remove blockage with a paper clip or thin wire.
2	<ul style="list-style-type: none"> • Dirty Filter • Blocked or leaking vacuum line • Insufficient air flow 	<ul style="list-style-type: none"> • Clean filter thoroughly. • Inspect all vacuum lines for blockage or damage, clean or replace as necessary. • Check CFM input at airline connector point.
3	<ul style="list-style-type: none"> • Too much air pressure • Blockage in the vacuum system 	<ul style="list-style-type: none"> • Check air pressure and adjust accordingly. • Inspect all vacuum lines for blockage or damage, clean or replace as necessary.

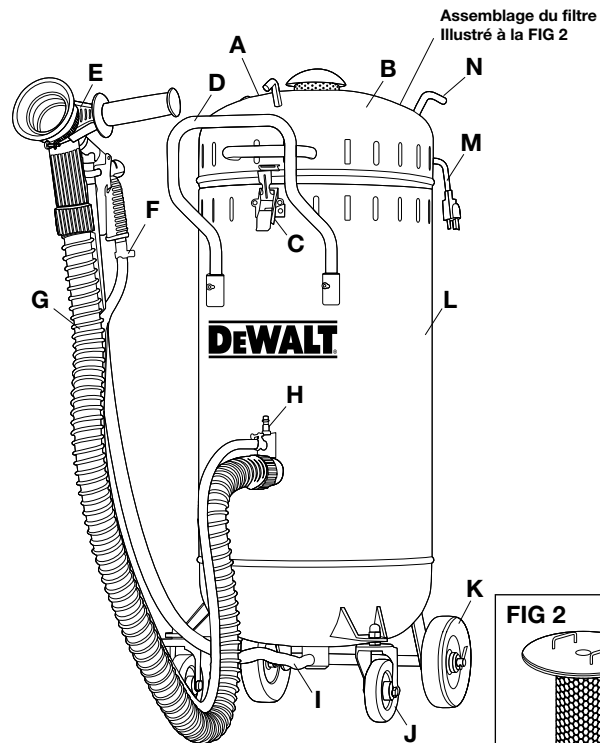
DXCM009-0369 Aspirateur pour le sablage abrasif

- A. Interrupteur marche/arrêt
- B. Couvercle
- C. Verrou
- D. Poignée
- E. Pistolet à air comprimé avec brosse
- F. Pistolet à air comprimé
- G. Tuyau d'aspiration
- H. Entrée de la conduite d'air du compresseur
- I. Tuyau pour produits abrasifs
- J. Roulette (2x)
- K. Roue (2x)
- L. Réservoir
- M. Cordon d'alimentation
- N. Enroulement du cordon d'alimentation
- O. Assemblage du filtre

Caractéristiques

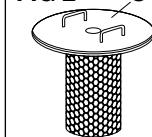
MODÈLE	DXCM009-0369
POIDS NET	(64 lb.) 29,02 kg.
CONSOMMATION MOYENNE D'AIR	5,5 à 6,5 SCFM @ 115 PSI
MAX. PRESSION DE TRAVAIL	140 PSI
CAPACITÉ D'ABRASION	20 à 35 LBS
ENTRÉE	Monophasé 120 V
DIMENSIONS GLOBALES	19,6 po L x 16,5 po l x 38,7 po H / 10,1 x 2,5 x 7,1 cm

FIG 1



Aspirateur pour le sablage abrasif

FIG 2



Assemblage du filtre à vide pour le sablage à l'abrasif

Définitions : Directives de sécurité

Les définitions ci-dessous décrivent le niveau de gravité pour chaque mot du signal. Veuillez lire ce manuel et prêter attention à ces symboles.

⚠ DANGER : Indique une situation imminente dangereuse qui, si elle n'est pas évitée, entraînera la mort ou de graves blessures.

⚠ AVERTISSEMENT : Indique une situation potentiellement dangereuse qui, si elle n'est pas évitée, pourrait entraîner la mort ou de graves blessures.

⚠ ATTENTION : Indique une situation potentiellement dangereuse pouvant provoquer des blessures mineures ou modérées si elle n'est pas évitée.

AVIS : Indique une pratique qui n'est pas liée aux blessures personnelles qui, si elle n'est pas évitée, peut entraîner des dommages à la propriété.

Si vous avez des questions ou des commentaires sur ce outil ou tout autre outil DEWALT, appelez-nous au numéro sans frais au : 1-888-895-4549

Importantes directives d'utilisation sécuritaire

⚠ AVERTISSEMENT : CONTIENT DU PLOMB. Peut être nocif s'il est ingéré ou mâché. Peut produire de la poussière qui contient du plomb. Lavez vos mains après l'utilisation. Gardez hors de la portée des enfants.

⚠ AVERTISSEMENT : Certaines poussières créées par le ponçage, le sciage, le meulage, le perçage et d'autres activités de construction contiennent des produits chimiques reconnus par l'État de Californie comme causant le cancer, des malformations congénitales ou d'autres troubles de la reproduction. Voici quelques exemples de ces produits chimiques :

- Plomb à partir de peintures à base de plomb

- Silice cristalline provenant des briques, du ciment et d'autres produits de maçonnerie

Arsenic et chrome provenant du bois traité chimiquement.

Le risque lié à ces expositions varie en fonction de la fréquence à laquelle vous effectuez ce type de travail. Pour réduire votre exposition à ces produits chimiques : travaillez dans un endroit bien ventilé et utilisez des équipements de sécurité approuvés OSHA/MSHA/NIOSH approuvé par l'osha/msha/niosh, un masque facial ou un respirateur correctement ajusté lors de l'utilisation de ces outils. Lors de l'utilisation d'outils pneumatiques, des mesures de sécurité de base doivent toujours être prises afin de réduire les risques de blessures.

⚠ AVERTISSEMENT : Ce produit peut vous exposer à des produits chimiques incluant le plomb, lequel est connu par l'État de la Californie comme causant le cancer, des anomalies congénitales et d'autres problèmes liés à la reproduction. Pour obtenir plus de renseignements, veuillez visiter le site www.P65Warnings.ca.gov.



Conservez ces directives

⚠ AVERTISSEMENT : Une utilisation ou un entretien inapproprié de ce produit peut entraîner des blessures graves et des dommages matériels. Lisez et comprenez tous les avertissements et toutes les instructions d'utilisation avant d'utiliser cet appareil. Lire le manuel d'instructions du compresseur avant d'utiliser ce produit. Lors de l'utilisation d'outils pneumatiques, des mesures de sécurité de base doivent toujours être prises afin de réduire les risques de blessures.

⚠ AVERTISSEMENT :



Les opérateurs et les autres personnes présentes dans la zone de travail doivent porter ANSI Z87.1 CAN/CSA Z94.3 approuvées avec des écrans latéraux.



Les opérateurs et les autres personnes présentes dans la zone de travail doivent porter des protections auditives.

⚠ AVERTISSEMENT :

- *Lisez attentivement tous les manuels fournis avec ce produit. Se familiariser avec les commandes et l'utilisation correcte de l'équipement.*
- *Tout produit de sablage produira un puissant flux de particules abrasives. Pour éviter les blessures et les dommages matériels, lisez attentivement ce manuel avant d'assembler, d'utiliser ou d'entretenir cet aspirateur de grenaille. Ne dirigez jamais la buse du nettoyeur à jet d'abrasif vers quelqu'un. Ne pas utiliser avec le couvercle ouvert.*
- *Ne pas dépasser la pression nominale de tout composant du système.*
- *Ne pas utiliser d'accessoires endommagés ou usés.*
- *Pendant le fonctionnement, ne pas exposer les mains ou la peau directement dans la ligne de la buse de sablage.*
- *Veiller à ce que tous les écrous, boulons et vis soient bien serrés et s'assurer que l'équipement est en bon état de fonctionnement.*
- *Débrancher l'aspirateur de grenaille de l'alimentation en air avant de changer d'accessoire ou d'essayer d'installer, de réparer, de déplacer ou d'effectuer un entretien quelconque.*
- *Vérifier que les tuyaux et les conduites d'air ne sont pas affaiblis ou usés et s'assurer que tous les raccords sont bien fixés avant chaque utilisation.*
- *Utiliser dans un endroit bien ventilé pour éviter l'exposition aux agents de sablage et aux particules en suspension dans l'air.*
- *Ne pas exposer l'aspirateur à jet à l'humidité. Ne pas utiliser dans des endroits humides ou mouillés. Tenir à l'abri de la pluie.*

- *Raccorder toutes les machines à la terre. Si la machine est équipée d'une fiche à trois broches, elle doit être branchée dans une prise électrique à trois broches. Ne jamais retirer la broche de mise à la terre.*
- *Ne pas abuser du cordon d'alimentation. Ne jamais utiliser le cordon d'alimentation pour transporter des outils ou débrancher la fiche de la prise. Tenir le cordon d'alimentation à l'écart de la chaleur, des bords tranchants, des pièces en mouvement et du jet d'air. Remplacer immédiatement les cordons d'alimentation endommagés. Les cordons d'alimentation endommagés augmentent le risque de décharge électrique.*
- *Utiliser des pinces ou d'autres moyens pratiques pour fixer et soutenir la pièce de travail sur une plate-forme stable. Le fait de tenir l'ouvrage à la main ou contre son corps peut entraîner une perte de contrôle.*
- *Tenir les enfants à l'écart. Tous les enfants doivent être tenus à l'écart de la zone de travail. Ne laissez jamais un enfant manipuler un outil sans la surveillance stricte d'un adulte.*

Instructions de mise à la terre

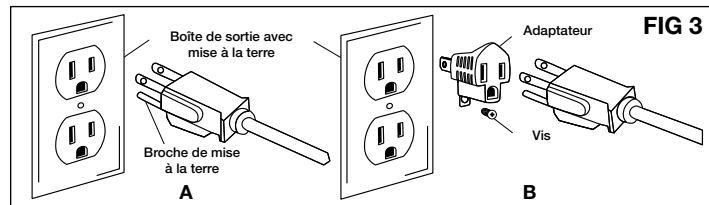
En cas de dysfonctionnement ou de panne, la mise à la terre fournit un chemin de moindre résistance pour le courant électrique afin de réduire le risque d'électrocution. L'aspirateur doit être raccordé à un cordon muni d'un conducteur de mise à la terre et d'une fiche de mise à la terre. La fiche doit être branchée dans une prise de courant appropriée, correctement installée et mise à la terre, conformément à tous les codes et règlements locaux.

⚠ DANGER : *Une mauvaise connexion du conducteur de mise à la terre de l'équipement peut entraîner un risque de décharge électrique. Le conducteur avec isolation possède une surface extérieure verte avec ou sans bandes jaunes est le conducteur de mise à la terre de l'équipement. Si la réparation ou le*

remplacement du cordon ou de la fiche est nécessaire, ne pas connecter le conducteur de mise à la terre de l'équipement à une borne sous tension. Si vous ne comprenez pas parfaitement les instructions de mise à la terre ou si vous avez des doutes quant à la mise à la terre de l'aspirateur, adressez-vous à un électricien ou à un technicien qualifié. Ne modifiez pas la fiche connectée à l'aspirateur - si elle n'est pas adaptée à la prise, faites installer une prise adéquate par un électricien qualifié.

REMARQUE : pour les aspirateurs mis à la terre et raccordés à un cordon, d'une puissance inférieure à 15 A et destinés à être utilisés sur un circuit d'alimentation nominal de 120 V

L'aspirateur est destiné à être utilisé sur un circuit nominal de 120 V et doit être raccordé à une prise de terre semblable à celle illustrée dans le croquis **A**, **FIG 3**. Un adaptateur temporaire, qui ressemble à l'adaptateur illustré dans le croquis **B**, **FIG 3** peut être utilisé pour connecter cette fiche à une prise à 2 pôles, comme illustré dans le croquis **B** s'il n'existe pas de prise de courant correctement mise à la terre. L'adaptateur temporaire ne doit être utilisé que jusqu'à ce qu'un électricien qualifié puisse installer une prise de courant correctement mise à la terre. L'oreille rigide de couleur verte, la cosse, etc., qui sort de l'adaptateur doit être reliée à une terre permanente telle qu'un couvercle de boîte de sortie correctement mis à la terre. Lorsque l'adaptateur est utilisé, il doit être maintenu en place par la vis métallique.



NOTE : au Canada, l'utilisation d'un adaptateur temporaire n'est pas autorisée par le code électrique canadien.

Assurez-vous que l'aspirateur est branché sur une prise ayant la même configuration que la fiche.

Utilisation de rallonges avec un aspirateur

N'utilisez qu'une rallonge avec une mise à la terre d'au moins 12 ampères et dotée d'un troisième fil de mise à la terre. Lorsqu'une longue rallonge est utilisée pour connecter l'aspirateur, une chute de tension se produit. Plus le cordon est long, plus la chute de tension est importante. La tension fournie à l'aspirateur est donc plus faible, ce qui augmente la consommation de courant (ampère) ou réduit les performances. Un cordon plus lourd et un fil plus gros réduiront la chute de tension. Veillez à choisir un cordon qui fournit une tension suffisante pour faire fonctionner l'aspirateur. Le tableau ci-dessous indique le calibre approprié pour les rallonges.

Jauge minimale pour les rallonges électriques						
Ampérage nominal			Longueur totale du cordon en pieds (mètres)			
	Volts		25 (7,6)	50 (15,2)	100 (30,5)	150 (45,7)
	240 V		50 (15,2)	100 (30,5)	200 (61,0)	300 (91,4)
>	<	AWG				
0	6	18	16	16	14.	
6	10	18	16	14.	12	
10	12	16	16	14.	12	

⚠ AVERTISSEMENT : Maintenir les cordons électriques en bon état. Ne pas utiliser de cordons usés, dénudés ou effilochés, car ils peuvent provoquer des chocs électriques.

⚠ DANGER : Risque d'explosion ou d'incendie.



Risque d'incendie ou d'explosion! N'UTILISEZ PAS une sableuse abrasive à proximité de liquides combustibles ou inflammables, de poussières, de gaz, de chiffons huileux ou d'autres matériaux susceptibles d'exploser ou de brûler rapidement. Certains abrasifs produisent des étincelles lorsqu'ils touchent des surfaces. Les abrasifs similaires à l'oxyde d'aluminium peuvent générer des étincelles d'électricité statique qui provoquent des incendies ou des explosions dans un environnement dangereux.



⚠ DANGER : Risque pour la respiration (asphyxie)



Des poussières peuvent être produites lorsque vous balayez, soufflez, coupez, percez ou meulez des matériaux tels que le bois, la peinture, le métal, le béton, le ciment ou d'autres types de maçonnerie. Cette poussière contient souvent des produits chimiques connus pour provoquer des cancers, des malformations congénitales ou d'autres troubles de la reproduction. Veillez à porter un équipement de protection.

⚠ ATTENTION : Risque de choc statique.



Les chocs électriques statiques peuvent être douloureux. Veillez porter des chaussures ou des bottes à semelle de cuir ou de caoutchouc et vous tenir sur le sol pour éviter l'électricité statique.

⚠ DANGER : SILICOSE ET AUTRES AVERTISSEMENTS CONCERNANT LES POUSSIÈRES NE PAS UTILISER DE SABLE!

Bien que le système de récupération assistée par aspiration de ce produit permette de contenir la poussière, l'inhalation de la poussière de sable siliceux peut provoquer la silicose, une maladie pulmonaire

mortelle. L'inhalation de poussières lors des opérations de dynamitage peut également provoquer l'asbestose et/ou d'autres maladies graves ou mortelles.

Un appareil respiratoire pour le décapage au jet d'abrasif, approuvé par le NIOSH et bien entretenu, doit être utilisé par toute personne effectuant le décapage, toute personne manipulant ou utilisant des produits contenant des substances toxiques ou des produits contenant de la silice cristalline libre, et toute personne se trouvant dans la zone de la poussière. Des poussières nocives peuvent rester en suspension dans l'air pendant de longues périodes après l'arrêt du dynamitage et provoquer des blessures graves, voire mortelles.

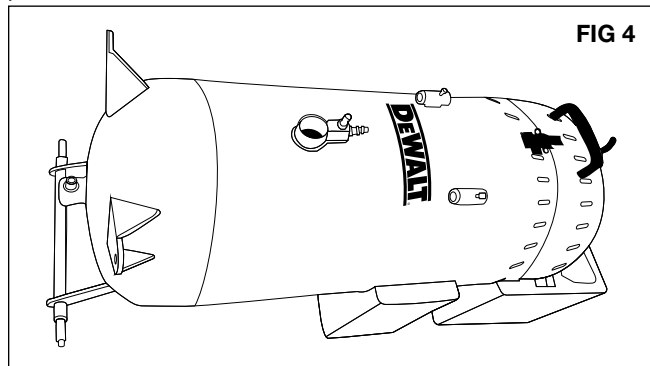
Avant de retirer le respirateur, utilisez un instrument de surveillance de l'air pour déterminer si l'atmosphère peut être respirée sans danger. Contactez le bureau local de l'OSHA ou du NIOSH afin de déterminer le respirateur approprié pour votre application particulière.

LISEZ CES PROCÉDURES DE SÉCURITÉ DANS LEUR INTÉGRALITÉ. CERTAINES PARTIES DU MANUEL D'UTILISATION FIGURENT DANS CES AVERTISSEMENTS.

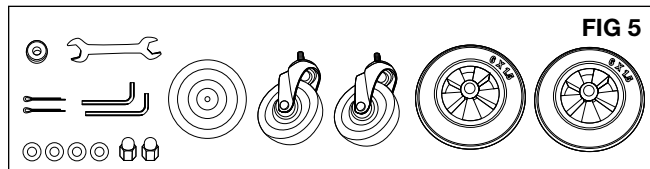
Ces procédures ne sont pas exhaustives en raison des nombreuses variables dans le domaine du grenailage. Par conséquent, nous **INSISTONS** pour que les mains, les oreilles, la bouche, le nez et les yeux soient couverts par une protection de sécurité appropriée à tout moment.

Assemblage

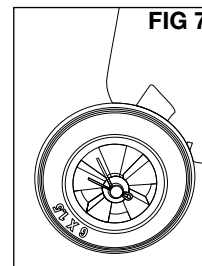
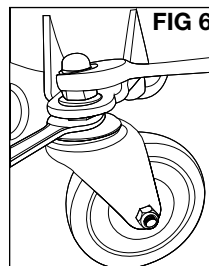
1. Retirer l'appareil de son emballage et le placer sur une surface plane, en le couchant. **FIG 4**



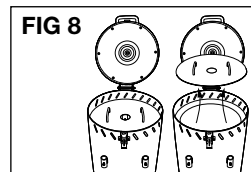
2. Retirer toutes les pièces de la boîte et les disposer en vue du processus d'assemblage. **FIG 5**



3. Assembler les 2 roues pivotantes avant **FIG 6** : Insérer la partie filetée de la roulette dans le trou de la jambe, comme indiqué. Installer la rondelle plate et l'écrou. Tout en maintenant la roulette avec la clé fournie, serrez l'écrou avec une clé de 19 mm (non fournie).



4. Assembler les 2 roues arrière avec la rondelle plate et la goupille fendue : À l'aide d'une pince, pliez la partie la plus longue de la goupille fendue pour l'empêcher de tomber.
5. Placer l'unité sur ses roues et pieds. Déverrouiller le couvercle et l'ouvrir complètement pour accéder à l'ensemble du filtre (aucun outil n'est nécessaire). Retirer l'ensemble du filtre en tenant les poignées, en l'inclinant et en le tirant vers le haut et vers l'extérieur. **FIG 8**
6. Mettre le filtre de côté. Retirer la poignée, la grille d'aspiration et les tuyaux situés à l'intérieur du réservoir. **FIG 9**



7. Assembler le tamis de support à l'orifice et fixez-le avec le collier de serrage **FIG 10**. Une fois cette opération terminée, réinstallez l'ensemble du filtre. Fermer et verrouiller le couvercle.

FIG 10

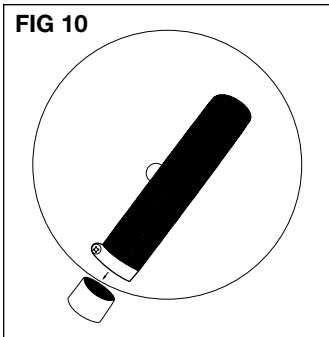


FIG 11

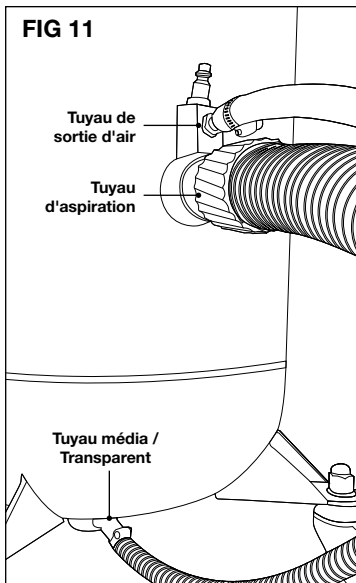
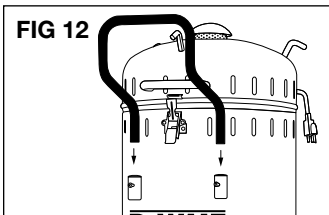


FIG 12



8. Assembler les tuyaux à l'aide des colliers de serrage fournis (aucun collier n'est nécessaire pour le tuyau d'aspiration). Installer tous les tuyaux à fond sur leurs raccords. Référence **Fig 11**.

REMARQUE : il peut être plus facile de poser l'appareil à plat pour installer le tuyau d'alimentation au fond du réservoir.

9. Insérer complètement la poignée dans les tubes et fixer les boulons à l'aide de la clé Allen fournie. **FIG 12**

Fonctionnement : Prêt à l'emploi

1. **⚠ AVERTISSEMENT : S'assurer que tous les équipements de protection individuelle sont en place et mis en place.**
2. Déverrouillez, ouvrez le couvercle et retirez l'assemblage du filtre pour ajouter le média (voir le guide du média). Ne pas trop remplir. Lors du remplissage, maintenir le produit en dessous du fond du tamis. La capacité est de 20 à 35 livres (9 à 15,8 kg).
3. Connectez le raccord de tuyau d'air au bouchon d'entrée d'air situé sur le côté de l'unité (étape 8) **Fig 11**. 115 PSI et 10 SCFM recommandés -

⚠ AVERTISSEMENT : Ne pas dépasser 140 PSI.

4. Brancher le cordon d'alimentation sur une source d'alimentation de 120 V CA. Branchez le cordon d'alimentation sur une source d'alimentation de 120 V reliée à la terre. Voir **Instructions de mise à la terre**, Page 4.
5. Le pistolet étant pointé vers la surface à nettoyer, mettre l'interrupteur de la tête d'aspiration sur la position ON.
6. Tenez le pistolet d'une main et le manche du pinceau de l'autre.

REMARQUE : Maintenez une légère pression sur la surface à nettoyer avec l'extrémité de la brosse!

La fonction de brossage est uniquement destinée à éviter le gaspillage d'abrasif et à développer et maintenir un cycle de vide fermé pour l'abrasif à recycler. La brosse N'est PAS destinée à faciliter le processus d'abrasion.

7. Avant de commencer, étalez les poils en exerçant une légère pression sur la surface de travail de manière à ne pas couvrir le jet à l'intérieur de la brosse. Déplacer le pistolet/la brosse à un rythme lent et régulier pour enlever la peinture.

REMARQUE : Maintenez toujours les poils de la brosse contre la surface de travail.

La brosse à poils fonctionne mieux sur les surfaces planes, mais peut également être utilisée dans les angles et les coins.

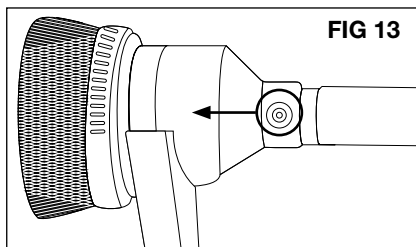
▲ ATTENTION : Lorsque vous utilisez l'aspirateur d'abrasion sur les angles et les coins, méfiez-vous de la pulvérisation excessive.

8. Ajustement du flux d'abrasion :

REMARQUE : L'aspirateur d'abrasion est réglé depuis l'usine sur le flux de souffle optimal.

Pour régler le jet d'air, desserrer l'écrou de réglage et déplacer la buse vers l'extérieur pour obtenir un jet d'air plus ouvert.

Voir Fig 13.



Entretien et nettoyage

▲ AVERTISSEMENT : Débrancher l'alimentation électrique et l'alimentation en air avant de procéder à l'entretien. Ne jamais effectuer d'entretien lorsque l'aspirateur de grenaille est sous pression.

Nettoyage : Nettoyez l'aspirateur de grenaille ou les pièces avec un chiffon doux. NE PAS utiliser de solvants pour nettoyer l'aspirateur de grenaille ou les pièces à l'intérieur.

Après chaque travail, défaire le loquet et relever la tête d'aspiration. Éliminez la poussière du filtre. Après une (1) heure de projection continue, retirez le filtre et soufflez-le à l'air libre ou à l'aide d'un aspirateur d'atelier.

Entretien de l'alimentation en air : Chaque jour, maintenez l'alimentation en air conformément aux instructions du fabricant. Vidangez régulièrement l'humidité du filtre. L'humidité provenant de la source d'air provoque un colmatage, des problèmes de débit et peut entraîner une défaillance des composants qui n'est pas couverte par la garantie.

L'entretien régulier de l'alimentation en air permet de réduire la contamination par l'humidité des produits abrasifs, ce qui diminue les performances.

Abrasif : Utilisez des abrasifs de bonne qualité, conçus pour être recyclés. Prendre les précautions nécessaires pour garder les abrasifs secs entre les utilisations. Garder les abrasifs au sec.

Remplacer l'abrasif lorsqu'il est cassé. L'usure de l'abrasif réduit les performances.

AVIS : NE PAS UTILISER DE SABLE! Portez toujours l'EPI approprié lorsque vous changez d'abrasif.

Éviter le colmatage par abrasion : Garder l'abrasif au sec! La taille de la buse doit être 3 à 4 fois supérieure à la taille de l'abrasif utilisé. Si l'abrasif ne s'écoule plus, vérifier que la conduite d'aspiration et la buse ne sont pas obstruées.

Service et ajustements

REMARQUE : TOUTES LES OPÉRATIONS D'ENTRETIEN ET DE RÉPARATION DU SITE DOIVENT ÊTRE EFFECTUÉES PAR UN TECHNICIEN QUALIFIÉ.

▲ AVERTISSEMENT : Risque de fonctionnement dangereux. Lors de l'entretien, vous pouvez être exposé à des sources de tension, à de l'air comprimé ou à des pièces en mouvement. Avant de procéder à l'entretien de l'appareil, débranchez l'alimentation électrique et l'alimentation en air de l'appareil.

Service supplémentaire

Il n'est pas recommandé de démonter ou d'entretenir le produit au-delà de ce qui est prévu dans ce manuel. Si une intervention supplémentaire est nécessaire, contactez le centre de service de garantie agréé le plus proche.

Accessoires

Les accessoires recommandés pour l'utilisation de votre outil peuvent être achetés auprès de votre revendeur local ou d'un centre de service agréé. Si vous avez besoin d'aide pour trouver un accessoire pour votre outil, veuillez appeler le 1-888-895-4549 ou visiter notre site Web www.dewalt.com.

Informations sur le service

Veuillez disposer des informations suivantes pour tous les appels de service :

Numéro de modèle _____ Numéro de série _____

Date et lieu d'achat _____

Réparations

Pour garantir la SÉCURITÉ et la FIABILITÉ du produit, les réparations, l'entretien et les réglages doivent être effectués par un centre de

service après-vente DeWALT, un centre de service après-vente agréé DeWALT ou tout autre personnel de service qualifié. Utilisez toujours des pièces de rechange d'origine.

Garantie limitée

Les outils industriels DeWALT sont garantis à partir de la date d'achat. **1 année** – Limitée sur tous les outils de sablage. Cette garantie n'est pas transférable aux propriétaires ultérieurs. DeWALT réparera ou remplacera, sans frais, au choix de DeWALT, tout défaut dû à des matériaux ou à une fabrication défectueuse. Pour plus de détails sur la couverture et la réparation de la garantie, appelez le 1-(888)-895-4549 ou visitez le site dewalt.com. Cette garantie ne s'applique pas aux accessoires ou aux dommages causés lorsque des réparations ont été effectuées ou tentées par d'autres. Cette garantie ne s'applique pas non plus aux marchandises vendues par DeWALT qui ont été fabriquées et identifiées comme étant le produit d'une autre société, comme les moteurs à essence. La garantie du fabricant, le cas échéant, s'appliquera. **TOUTE PERTE, TOUT DOMMAGE OU TOUTE DÉPENSE ACCESSOIRE, INDIRECTE OU CONSÉCUTIVE POUVANT RÉSULTER D'UN DÉFAUT, D'UNE PANNE OU D'UN DYSFONCTIONNEMENT DU PRODUIT N'EST PAS COUVERTE PAR LA PRÉSENTE GARANTIE.** Certains États n'autorisent pas l'exclusion ou la limitation des dommages accessoires ou indirects, de sorte que la limitation ou l'exclusion susmentionnée peut ne pas s'appliquer à vous.

LES GARANTIES IMPLICITES, Y COMPRIS LES GARANTIES DE QUALITÉ MARCHANDE OU D'ADÉQUATION À UN USAGE PARTICULIER, SONT LIMITÉES À UN AN À COMPTER DE LA DATE DE L'ACHAT INITIAL. Certains États n'acceptent pas les limitations sur la durée des garanties implicites, et la limitation susmentionnée peut ne pas s'appliquer à vous.

Ce que fera l'entreprise : (l'entreprise) couvrira les pièces et la main d'œuvre pour remédier aux défauts substantiels dus aux matériaux et à la main d'œuvre au cours de la première année de possession, avec les exceptions notées ci-dessous. Les pièces utilisées pour la réparation de produits entiers ou d'accessoires sont garanties pour le reste de la période de garantie initiale.

Remplacement gratuit de l'étiquette d'avertissement : Si vos étiquettes d'avertissement deviennent illisibles ou manquent, appelez le 1-888-895-4549 pour un remplacement gratuit.



Guide de dépannage

Cette section fournit une liste des dysfonctionnements les plus fréquents, de leurs causes et des actions correctives. L'opérateur ou le personnel d'entretien peut effectuer certaines actions correctives, tandis que d'autres peuvent nécessiter l'assistance d'un technicien DeWalt qualifié ou de votre revendeur.

Problème	Code
Diminution de la performance de sablage	1
Diminution de la performance de l'aspirateur	2
De l'abrasif sort entre les poils de la brosse	3

⚠️ AVERTISSEMENT : Débrancher l'alimentation électrique et l'air avant de procéder à l'entretien. N'effectuez jamais d'entretien avec l'enceinte sous pression.

Code	Cause possible	Solution possible
1	<ul style="list-style-type: none"> • Possibilité d'une pression d'air insuffisante • Humidité dans l'abrasif • Filtre encrassé (sale) • Les abrasifs sont « usés » ou trop fins • Blocage du pistolet 	<ul style="list-style-type: none"> • Vérifier si le compresseur à air et le tuyau présentent des fuites. • Vérifier que l'entrée CFM est compatible avec le blaster/ aspirateur. • L'air doit être propre et sec. Vérifier le filtre de la conduite d'air. • Nettoyer soigneusement le filtre • Changer l'abrasif • Déconnecter l'air et l'électricité, dévisser la buse et éliminer le blocage à l'aide d'un trombone ou d'un fil de fer fin.
2	<ul style="list-style-type: none"> • Filtre encrassé (sale) • Conduite d'aspiration bouchée ou non étanche • Débit d'air insuffisant 	<ul style="list-style-type: none"> • Nettoyer soigneusement le filtre • Inspecter toutes les conduites d'aspiration pour vérifier qu'elles ne sont pas obstruées ou endommagées, les nettoyer ou les remplacer si nécessaire. • Vérifier l'entrée CFM au point de connexion de la ligne aérienne.
3	<ul style="list-style-type: none"> • Pression d'air trop élevée • Blocage du système d'aspiration 	<ul style="list-style-type: none"> • Vérifier la pression de l'air et l'ajuster en conséquence • Inspecter toutes les conduites d'aspiration pour vérifier qu'elles ne sont pas obstruées ou endommagées, les nettoyer ou les remplacer si nécessaire.

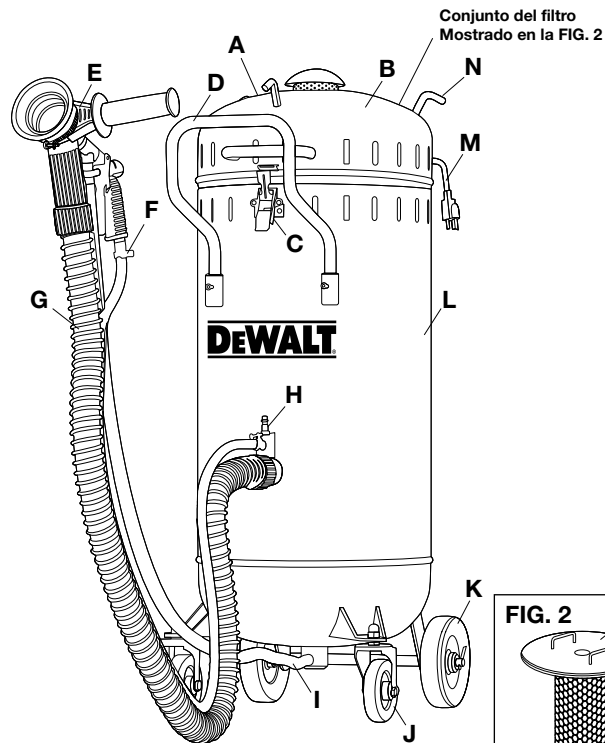
DXCM009-0369 Aspiradora de chorro abrasivo

- A. Interruptor de encendido / apagado
- B. Tapa
- C. Seguro
- D. Manija
- E. Pistola de arenado con cepillo
- F. Manguera de aire de la pistola
- G. Manguera de vacío
- H. Línea de aire del compresor
- I. Manguera para material abrasivo
- J. Ruedas orientables (2)
- K. Ruedas (2)
- L. Tanque
- M. Cable de alimentación
- N. Soporte para cable de alimentación
- O. Conjunto del filtro

Especificaciones

MODELO	DXCM009-0369
PESO NETO	64 libras (29.02 kg)
CONSUMO MEDIO DE AIRE	5.5-6.5 SCFM a 115 PSI
PRESIÓN DE TRABAJO MÁXIMA	140 PSI
CAPACIDAD ABRASIVA	20-35 libras
ALIMENTACIÓN	Monofásico 120 V
DIMENSIONES TOTALES	19.6 pulg. x 16.5 pulg. x 38.7 pulg.

FIG. 1



Aspiradora de arenado abrasivo



Definiciones: Directrices de seguridad

Las definiciones siguientes describen el nivel de gravedad de cada palabra de advertencia. Lea el manual y preste atención a estos símbolos.

⚠ PELIGRO: Indica una situación de peligro inminente que, si no se evita, provocará la muerte o lesiones graves.

⚠ ADVERTENCIA: Indica una situación potencialmente peligrosa que, si no se evita, podría provocar la muerte o lesiones graves.

⚠ PRECAUCIÓN: Indica una situación potencialmente peligrosa que, si no se evita, puede provocar lesiones leves o moderadas.

AVISO: Indica una práctica no relacionada con lesiones personales que, de no evitarse, puede provocar daños materiales.

Si tiene alguna pregunta o comentario sobre esta o cualquier otra herramienta DEWALT, llámenos a la línea sin costo: 1-888-895-4549

Instrucciones importantes de seguridad

⚠ ADVERTENCIA: CONTIENE PLOMO. Puede ser nocivo si se come o mastica. Puede generar polvo que contenga plomo. Lávese las manos después de usarlo. Manténgalo fuera del alcance de los niños.

⚠ ADVERTENCIA: Algunos polvos generados por el lijado, aserrado, esmerilado, taladrado y otras actividades de construcción eléctrica contienen sustancias químicas que el estado de California reconoce como causantes de cáncer, defectos congénitos u otros daños reproductivos. Algunos ejemplos de estos productos químicos son:

- Plomo de pinturas a base de plomo

- Sílice cristalina de ladrillos, cemento y otros productos de mampostería

Arsénico y cromo de madera tratada químicamente

Su riesgo de estas exposiciones varía, dependiendo de la frecuencia con la que realice este tipo de trabajo. Para reducir su exposición a estos productos químicos: trabaje en un área bien ventilada y trabaje con equipo de seguridad aprobado y use siempre una máscara facial o un respirador aprobado por OSHA/MSHA/NIOSH con ajuste correcto cuando use dichas herramientas. Al usar herramientas neumáticas, siempre se deben seguir ciertas precauciones básicas de seguridad para reducir el riesgo de lesiones personales.

⚠ ADVERTENCIA: Este producto puede exponerlo a sustancias químicas, incluido el plomo, que el estado de California reconoce como causantes de cáncer y defectos congénitos u otros daños reproductivos. Para ver más información visite www.P65Warnings.ca.gov.



Guarde estas instrucciones

⚠ ADVERTENCIA: La operación o el mantenimiento inadecuados de este producto podrían provocar lesiones graves y daños materiales. Lea y comprenda todas las advertencias e instrucciones de funcionamiento antes de utilizar este equipo. Lea el manual de instrucciones del compresor antes de usar este producto. Al usar herramientas neumáticas, siempre se deben seguir ciertas precauciones básicas de seguridad para reducir el riesgo de lesiones personales.

⚠ ADVERTENCIA:



Los operadores y otras personas en el área de trabajo deben usar gafas de seguridad aprobadas según la norma ANSI Z87.1 CAN/CSA Z94.3 con protectores laterales.



Los operadores y otras personas en el área de trabajo deben usar protección auditiva.

⚠ ADVERTENCIA:

- Lea atentamente todos los manuales incluidos con este producto. Familiarícese completamente con los controles y el uso apropiado del equipo.
- Cualquier producto para arenado producirá un potente flujo de partículas abrasivas. Para evitar lesiones personales y daños materiales, estudie completamente este manual antes de ensamblar, usar o dar servicio a esta aspiradora de arenado abrasivo. Nunca apunte la boquilla del chorro abrasivo hacia ninguna persona. No use el equipo con la tapa abierta.
- No exceda la clasificación de presión de ningún componente del sistema.
- No utilice accesorios dañados o desgastados.
- Durante la operación, no interponga las manos o la piel directamente en la línea de la boquilla de chorro.
- Mantenga todas las tuercas, pernos y tornillos apretados y asegúrese de que el equipo esté en condiciones de funcionamiento seguras.
- Desconecte la aspiradora de arenado abrasivo del suministro de aire antes de cambiar accesorios o de intentar instalar, reparar, reubicar o realizar cualquier mantenimiento.
- Antes de cada uso revise la manguera y las líneas de aire para ver si están débiles o desgastadas y asegúrese de que todas las conexiones estén firmes.
- Use el equipo en un área bien ventilada para evitar la exposición al material de arenado y a las partículas suspendidas en el aire.
- No exponga la aspiradora a la humedad. No use el equipo en lugares húmedos o mojados. Manténgalo protegido de la lluvia.

- Conecte a tierra todas las máquinas. Si la máquina está equipada con un enchufe de tres clavijas, debe conectarse a un tomacorriente de tres clavijas. Nunca quite la clavija de tierra.
- No maltrate el cable de alimentación. Nunca utilice el cable de alimentación para transportar herramientas ni para desconecte el enchufe del tomacorriente. Mantenga el cable de alimentación protegido del calor, los bordes afilados, las piezas móviles y la corriente de arenado. Reemplace los cables de alimentación dañados inmediatamente. Los cables de alimentación dañados aumentan el riesgo de sufrir una descarga eléctrica.
- Use abrazaderas u otros medios prácticos para fijar y sostener la pieza de trabajo en una plataforma estable. Sostener el trabajo con la mano o contra su cuerpo puede provocar que pierda el control.
- Mantenga a los niños alejados. Todos los niños deben mantenerse alejados del área de trabajo. Nunca permita que un niño manipule una herramienta sin la estricta supervisión de un adulto.

Instrucciones para la conexión a tierra

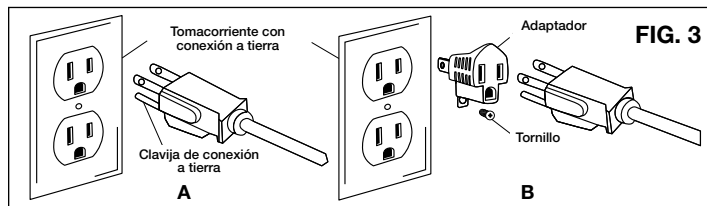
En caso de una avería o descompostura, la conexión a tierra provee una ruta de menor resistencia para la corriente eléctrica, a fin de reducir el riesgo de descarga eléctrica. La aspiradora debe estar conectada a un cable con un conductor a tierra para el equipo y una clavija de conexión a tierra. El enchufe debe estar conectado a un tomacorriente apropiado, que esté instalado correctamente y conectado a tierra de acuerdo con todos los códigos y las ordenanzas locales.

⚠ PELIGRO: La conexión incorrecta del conductor a tierra del equipo podría causar un riesgo de descarga eléctrica. El conductor con aislante que tiene una superficie exterior verde, con o sin tiras amarillas, es el conductor de conexión a tierra del equipo. Si es necesario reparar o reemplazar el cable o el enchufe, no conecte el conductor a tierra del equipo a un terminal con corriente.

Consulte a un electricista o reparador calificado si no entiende por completo las instrucciones de la conexión a tierra, o si tiene dudas acerca de si la aspiradora está conectada a tierra correctamente. No modifique el enchufe conectado a la aspiradora; si no encaja en el tomacorriente, haga que un electricista calificado instale el tomacorriente apropiado.

NOTA: para una aspiradora con conexión a tierra con capacidad nominal menor a 15 A y destinada a usarse en un circuito con alimentación nominal de 120 V.

La aspiradora debe usarse en un circuito con 120 V nominales y debe conectarse a un tomacorriente con conexión a tierra que tenga el aspecto ilustrado en el boceto **A, FIG. 3**. Puede usarse un adaptador temporal, parecido al adaptador ilustrado en el boceto **B, FIG. 3**, para conectar este enchufe a un tomacorriente de 2 polos, como se muestra en el boceto **B**, si no hay disponible un tomacorriente con una conexión a tierra apropiada. El adaptador temporal solamente debe usarse hasta que un electricista calificado pueda instalar un tomacorriente con conexión a tierra apropiada. La orejeta, aro o protuberancia rígida de color verde que sobresale del adaptador debe conectarse a una tierra permanente, como una cubierta de tomacorriente con conexión a tierra. Siempre que se use el adaptador, debe sujetarse con el tornillo metálico.



NOTA: en Canadá, el código eléctrico canadiense no permite el uso de un adaptador temporal.

Asegúrese de que la aspiradora esté conectada a un tomacorriente que tenga la misma configuración que el enchufe.

Uso de cables de extensión con la aspiradora

Use solamente un cable de extensión con conexión a tierra que tenga una capacidad nominal mínima de 12 amperios y una conexión a tierra con un tercer conductor. Cuando use un cable de extensión largo para conectar la aspiradora se causará una caída de voltaje. Mientras más largo sea el cable, mayor será la caída de voltaje. Eso provoca que se suministre menos voltaje a la aspiradora y aumenta la cantidad de corriente (amperios), o bien reduce el desempeño. Usar un cable más pesado con un conductor más grande reducirá la caída de voltaje. Recuerde elegir un cable que suministre suficiente voltaje para operar la aspiradora. La siguiente tabla indica los calibres apropiados para los cables de extensión.

Calibre mínimo para los cables de extensión						
Amperios nominales		Voltios	Longitud total del cable en pies (metros)			
		120 V	25 (7.6)	50 (15.2)	100 (30.5)	150 (45.7)
		240 V	50 (15.2)	100 (30.5)	200 (61.0)	300 (91.4)
>	<	AWG				
0	6		18	16	16	14
6	10		18	16	14	12
10	12		16	16	14	12

⚠️ ADVERTENCIA: mantenga los cables eléctricos en buenas condiciones. No use cables desgastados, pelados o deshilachados, ya que podrían causar descargas eléctricas.

⚠️ PELIGRO: Riesgo de explosión o incendio.



¡Peligro de incendio o explosión! NO UTILICE una pistola abrasiva cerca de líquidos combustibles o inflamables, polvos, gases, trapos aceitosos u otros materiales que puedan explotar o quemarse rápidamente.



Algunos abrasivos crean chispas cuando golpean las superficies. Los abrasivos similares al óxido de aluminio pueden

generar chispas de electricidad estática que pueden provocar incendios o explosiones en un entorno inseguro.

⚠️ PELIGRO: Riesgo para la respiración (asfixia)



Se puede generar polvo al barrer, arenar, cortar, taladrar o esmerilar materiales como madera, pintura, metal, concreto, cemento u otros tipos de mampostería. Este polvo a menudo contiene sustancias químicas que se sabe que causan cáncer, defectos congénitos u otros daños reproductivos. Asegúrese de usar equipo de protección.

⚠️ PRECAUCIÓN: Riesgo de descarga estática.



Las descargas eléctricas estáticas pueden ser dolorosas. Use zapatos o botas con suela de cuero o goma y párese en el suelo para protegerse de la electricidad estática.

⚠️ PELIGRO: SILICOSIS Y OTRAS ADVERTENCIAS SOBRE EL POLVO ¡NO USE ARENA!

Si bien el sistema de recuperación asistido por vacío de este producto hace un buen trabajo al contener el polvo, respirar el polvo de la arena de sílice puede causar silicosis, una enfermedad pulmonar mortal.

Respirar polvo durante las operaciones de arenado también puede causar asbestosis y otras enfermedades graves o mortales.

Toda persona que realice operaciones de limpieza a chorro, que manipule o use medios que contengan sustancias tóxicas o materiales con sílice cristalina libre y toda persona que se encuentre en el área del polvo debe usar un respirador para limpieza con chorro abrasivo aprobado por NIOSH y en buen estado. El polvo nocivo puede permanecer suspendido en el aire durante períodos prolongados después de que ha cesado el arenado, y puede provocar lesiones graves o la muerte.

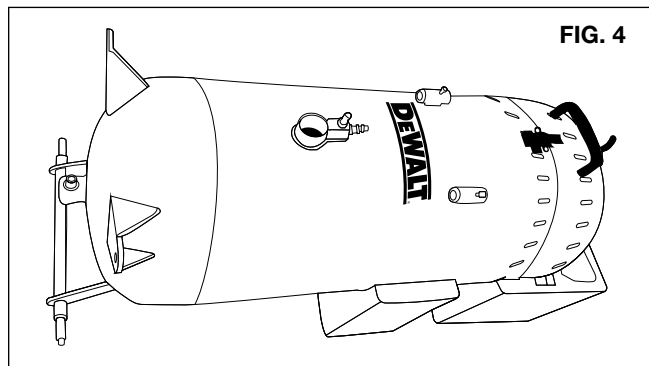
Antes de quitarse el respirador, use un instrumento de monitoreo de aire para determinar si la atmósfera es segura para respirar. Comuníquese con la oficina local de OSHA o NIOSH para determinar el respirador adecuado para su aplicación en particular.

LEA ESTOS PROCEDIMIENTOS DE SEGURIDAD EN SU TOTALIDAD. PARTES DE LAS INSTRUCCIONES DE USO SE ENCUENTRAN EN ESTAS ADVERTENCIAS.

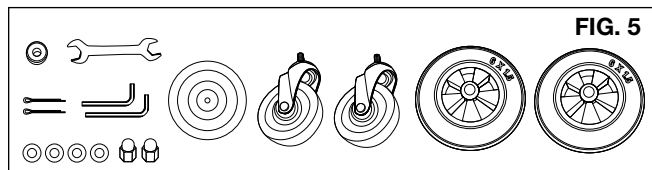
Estos procedimientos no pretenden ser exhaustivos, debido a las muchas variables existentes en el campo de la limpieza con chorro abrasivo. Por ello, INSISTIMOS en que las manos, los oídos, la boca, la nariz y los ojos estén cubiertos con el equipo de protección adecuado en todo momento.

Ensamblaje

1. Retire la unidad del embalaje y colóquela sobre una superficie nivelada con la unidad acostada. **FIG. 4**

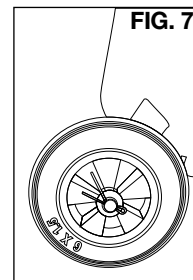
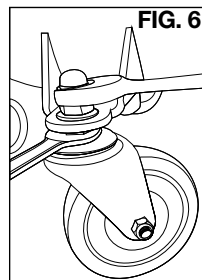


2. Saque todos los componentes de la caja y extiéndalos para el proceso de ensamblaje. **FIG. 5**

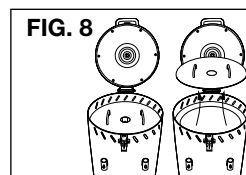


3. Ensamble las 2 ruedas orientables delanteras **FIG. 6**: Inserte la porción roscada de la rueda a través del orificio en la pata, como se muestra. Coloque la arandela plana y la tuerca. Mientras

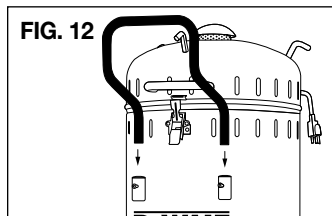
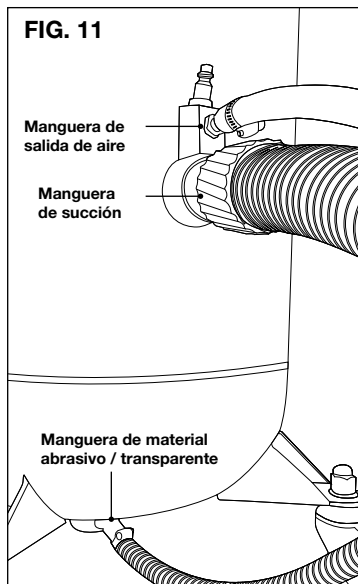
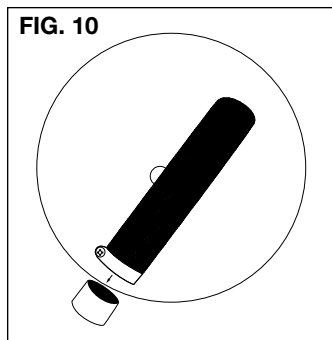
sujeta la rueda con la llave incluida, apriete la tuerca con una llave de 19 mm (no incluida).



4. Ensamble las 2 ruedas traseras con arandelas planas y chavetas: Con unos alicates, doble hacia atrás la pata más larga de la chaveta para evitar que se caiga.
5. Coloque la unidad sobre sus ruedas. Abra el seguro de la tapa y abra por completo la tapa para acceder al conjunto del filtro (no se requieren herramientas). Saque el conjunto del filtro sujetando las manijas, inclínelo y tire hacia arriba y hacia afuera. **FIG. 8**
6. Deje el conjunto del filtro a un lado. Retire la manija, la pantalla de succión y las mangueras ubicadas dentro del tanque. **FIG. 9**



7. Monte la pantalla de material en el puerto y fíjela con una abrazadera de manguera **FIG. 10**. Cuando termine, vuelva a instalar el conjunto del filtro. Cierre la tapa y aplique el seguro.



8. Ensamble las mangueras usando las abrazaderas de manguera provistas (no se requiere abrazadera para la manguera de succión). Instale todas las mangueras completamente en sus conexiones. Consulte la **Fig. 11**.

NOTA: puede ser más fácil colocar la unidad acostada para instalar la manguera de material abrasivo en la parte inferior del tanque.

9. Inserte completamente la manija en los tubos y apriete los pernos con la llave Allen incluida. **FIG. 12**

Operación: Lista para usar

1. **⚠ ADVERTENCIA: Asegúrese de que todo el equipo de protección personal esté en su lugar y bien colocado.**
 2. Quite el seguro, abra la tapa y saque el conjunto del filtro para añadir material abrasivo (consulte la guía de materiales). No lo llene demasiado. Mientras lo llena, mantenga el nivel de material por debajo del fondo de la pantalla de material. La capacidad es de 20 a 35 libras.
 3. Conecte el acoplador de la manguera de aire al tapón de entrada de aire ubicado en el costado de la unidad (paso 8). **Fig. 11**. Se recomienda usar 115 PSI y 10 SCFM.
- ⚠ ADVERTENCIA: No supere los 140 PSI.**
4. Conecte el cable de alimentación a una fuente de alimentación de 120 VCA. Conecte el cable de alimentación a un suministro de electricidad de 120 V con conexión a tierra. Consulte las **Instrucciones para la conexión a tierra** en la página 4.
 5. Con la pistola apuntando a la superficie que se va a limpiar, gire el interruptor de encendido del cabezal de la aspiradora a la posición de ENCENDIDO.
 6. Use una mano para sostener la pistola y la otra mano para sostener el mango del cepillo.

NOTA: ¡Mantenga una ligera presión contra la superficie que se está limpiando con la punta del cepillo!

El cepillo solo tiene la función de evitar el desperdicio de material abrasivo y desarrollar y mantener un ciclo de vacío cerrado para reciclar el abrasivo. El cepillo NO está diseñado para ayudar en el proceso de abrasión.

7. Antes de comenzar, extienda las cerdas con una ligera presión sobre la superficie de trabajo de tal manera que no cubra el chorro dentro del cepillo. Mueva la pistola o el cepillo a un ritmo lento y constante para eliminar la pintura.

NOTA: Mantenga siempre las cerdas del cepillo contra la superficie de trabajo.

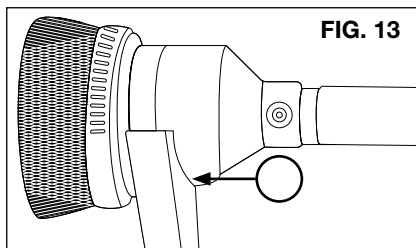
El cepillo de cerdas funciona mejor en superficies planas, pero también se puede usar en ángulos y esquinas.

▲ PRECAUCIÓN: Cuando use la aspiradora en ángulos y esquinas, tenga cuidado con el exceso de rociado.

8. Ajuste del flujo de arenado:

NOTA: La aspiradora de arenado viene configurada de fábrica con el caudal de chorro óptimo.

Para ajustar el chorro, afloje la tuerca de fijación y mueva la boquilla hacia afuera para obtener un chorro más abierto. Vea la Fig. 13.



Mantenimiento y limpieza

▲ ADVERTENCIA: Desconecte la energía y el suministro de aire antes de realizar el mantenimiento. Nunca realice ningún mantenimiento con la aspiradora de arenado abrasivo bajo presión.

Limpieza: Limpie la aspiradora de arenado abrasivo o las piezas con un paño suave. NO use ningún solvente para limpiar la aspiradora de arenado o las partes internas.

Después de cada trabajo, abra el seguro y levante el cabezal de la aspiradora. Quite el polvo del filtro con golpecitos. Después de 1 hora de arenado continuo, saque el conjunto del filtro y límpielo con aire directo o con una aspiradora de taller.

Mantenimiento del suministro de aire: Dé mantenimiento diario al suministro de aire de acuerdo con las instrucciones del fabricante. Drene la humedad del filtro con regularidad. La humedad en la fuente de aire causará obstrucciones, problemas de flujo y puede provocar fallas en los componentes que no están cubiertas por la garantía.

Realizar el mantenimiento de rutina del suministro de aire reducirá la contaminación por humedad de los medios abrasivos que reducirá el rendimiento.

Abrasivo: Use abrasivos de buena calidad, que estén diseñados para ser reciclados. Tome las precauciones necesarias para mantener secos los abrasivos entre usos. Mantenga secos los abrasivos.

Reemplace el material abrasivo cuando el abrasivo se descomponga. El material abrasivo desgastado reducirá el rendimiento.

AVISO: ¡NO USE ARENA! Utilice siempre el equipo de protección personal adecuado cuando cambie los abrasivos.

Evite obstrucciones con material abrasivo: ¡Mantenga seco el material abrasivo! El tamaño de la boquilla debe ser de 3 a 4 veces mayor que el tamaño del abrasivo que se utiliza. Si el abrasivo deja de fluir, verifique si hay obstrucciones en la línea de succión y la boquilla.

Servicio y ajustes

NOTA: TODAS LAS OPERACIONES DE MANTENIMIENTO Y REPARACIÓN DEBEN SER REALIZADAS POR UN TÉCNICO DE SERVICIO CAPACITADO.

⚠️ ADVERTENCIA: Riesgo de operación insegura. Al realizar el mantenimiento, puede estar expuesto a fuentes de voltaje, aire comprimido o piezas móviles. Antes de reparar la unidad, desconecte la alimentación eléctrica y el suministro de aire a la unidad.

Servicio adicional

No se recomienda desarmar o reparar el producto más allá de lo que se cubre en este manual. Si necesita servicio adicional, comuníquese con su centro de servicio autorizado para garantía más cercano.

Accesorios

Los accesorios recomendados para su herramienta están disponibles a la venta con su distribuidor local o centro de servicio autorizado. Si necesita ayuda para encontrar algún accesorio para su herramienta, llame al teléfono 1-888-895-4549 o visite nuestro sitio de internet www.dewalt.com.

Información para el servicio

Tenga la siguiente información disponible para todas las llamadas de servicio:

Número de modelo _____ Número de serie _____

Fecha y lugar de compra _____

Reparaciones

Para garantizar la SEGURIDAD y CONFIABILIDAD del producto, las reparaciones, el mantenimiento y los ajustes deben ser realizados por

un centro de servicio de fábrica de DeWALT, un centro de servicio autorizado de DeWALT u otro personal de servicio calificado. Siempre utilice refacciones originales.

Garantía limitada

Las herramientas industriales DeWALT están garantizadas desde la fecha de compra.

1 año: garantía limitada en todas las herramientas de arenado. Esta garantía no es transferible a propietarios posteriores. DeWALT reparará o reemplazará, sin cargo, a opción de DeWALT, todos los defectos provocados por defectos en materiales o mano de obra. Para obtener más detalles sobre la cobertura de la garantía y la información de reparación bajo garantía, llame al teléfono 1-(888)-895-4549 o visite dewalt.com. Esta garantía no se aplica a los accesorios ni a los daños causados cuando terceros hayan realizado o intentado reparaciones. Esta garantía tampoco se aplica a la mercancía vendida por DeWALT que ha sido fabricada e identificada como producto de otra compañía, como motores de gasolina. En esos casos se aplicará la garantía del fabricante, si corresponde. **ESTA GARANTÍA NO CUBRE NINGUNA PÉRDIDA, DAÑO O GASTO INCIDENTAL, INDIRECTO O CONSECUENTE QUE PUEDE SER RESULTADO DE CUALQUIER DEFECTO, FALLA O MAL FUNCIONAMIENTO DEL PRODUCTO.** Algunos estados no permiten la exclusión o limitación de daños incidentales o consecuentes, por lo que la limitación o exclusión anterior puede no aplicarse a usted.

LAS GARANTÍAS IMPLÍCITAS, INCLUIDAS LAS DE COMERCIABILIDAD O IDONEIDAD PARA UN FIN DETERMINADO, ESTÁN LIMITADAS A UN AÑO A PARTIR DE LA FECHA DE COMPRA ORIGINAL. Algunos estados no permiten limitaciones sobre la duración de una garantía implícita, por lo que es posible que las limitaciones anteriores no se apliquen a usted.

Qué hará la compañía: (la compañía) cubrirá las piezas y la mano de obra para remediar los defectos sustanciales debidos a los materiales y la mano de obra durante el primer año de propiedad, con las excepciones que se indican a continuación. Las piezas utilizadas en la reparación de productos completos o accesorios están garantizadas por el resto del período de garantía original.

Reemplazo gratuito de la etiqueta de advertencia: Si sus etiquetas de advertencia se vuelven ilegibles o están ausentes, llame al teléfono 1-888-895-4549 para obtener un reemplazo gratuito.



Guía de solución de problemas

Esta sección muestra una lista de las fallas más frecuentes, sus causas y medidas correctivas. El operador o el personal de mantenimiento pueden realizar algunas acciones correctivas, y otras pueden exigir la asistencia de un técnico capacitado de DeWalt o de su distribuidor.

Problema	Código
Disminución en el rendimiento del arenado	1
Disminución en el rendimiento de la aspiradora	2
Abrasivo que sale entre las cerdas del cepillo	3

⚠️ ADVERTENCIA: Desconecte la energía y el aire antes de realizar el mantenimiento. Nunca realice ningún mantenimiento con el gabinete bajo presión.

Código	Posible causa	Posible solución
1	<ul style="list-style-type: none"> • Posible baja presión de aire • Humedad en el material abrasivo • Filtro sucio • Los abrasivos están "gastados" o son demasiado finos • Bloqueo en la pistola. 	<ul style="list-style-type: none"> • Revise el compresor de aire y la manguera en busca de fugas. • Verifique que la entrada de CFM sea compatible con la pistola/ aspiradora. • El aire debe estar limpio y seco. Revise el filtro de la línea de aire. • Limpie el filtro a fondo. • Cambie el material abrasivo. • Desconecte el aire y la alimentación eléctrica, desenrosque la boquilla y elimine el bloqueo con un clip o alambre delgado.
2	<ul style="list-style-type: none"> • Filtro sucio • Línea de vacío bloqueada o con fugas • Flujo de aire insuficiente 	<ul style="list-style-type: none"> • Limpie el filtro a fondo. • Inspeccione todas las líneas de vacío en busca de bloqueos o daños, límpielas o reemplácelas cuando sea necesario. • Compruebe la entrada de CFM en el punto de conexión del suministro de aire.
3	<ul style="list-style-type: none"> • Demasiada presión de aire • Bloqueo en el sistema de vacío 	<ul style="list-style-type: none"> • Verifique la presión del aire y ajústela si es necesario. • Inspeccione todas las líneas de vacío en busca de bloqueos o daños, límpielas o reemplácelas cuando sea necesario.



For product, service or warranty information contact us at:
Para el producto, servicio o información sobre la garantía contacte con nosotros en:
Pour les produits, services ou informations sur la garantie nous contacter à:

1-888-895-4549

www.DEWALT.com

MAT Industries, LLC, Long Grove, IL 60047

Under license from DEWALT Industrial Tool Co.
Bojo licencia de DEWALT Industrial Tool Co.
Sous licence de DEWALT Industrial Tool Co.

The following are trademarks for one or more DEWALT power tools: the yellow and black color scheme; the “D” shaped air intake grill; the array of pyramids on the handgrip; the kit box configuration; and the array of lozenge shape humps on the surface of the tool.

Las siguientes son características únicas de una o más herramientas eléctricas y accesorios de DEWALT: El esquema de color amarillo y negro, la parrilla de admisión de aire en “D”, la formación de pirámides en el mango, la configuración de la caja de herramientas y la formación de rombos en la superficie de la herramienta.

Vous trouverez ci-après les marques de commerce d’un ou plusieurs outils électriques et accessoires DEWALT. L’agencement de couleurs jaune et noir, la grille d’admission d’air en forme de “D”, la distribution de pyramides sur la poignée, le format du boîtier et la matrice complexe de bosses en forme de losanges sur la surface de l’outil.