

BRAVE

MBRPE105HA

ITEM NUMBER: BRPE105H, BRPC105H

SERIAL NUMBER:

Owner's Manual

Walk-Behind Edger | Walk-Behind Crack Cleaner

WARNING

READ and UNDERSTAND this manual completely before using edger/crack cleaner. All operators of this equipment must read and completely understand all safety information, operating instructions, maintenance and storage instructions. Failure to properly operate and maintain the edger/crack cleaner could result in serious injury to the operator and bystanders from moving parts that can crush or cut, flying objects, burns, fire or explosion or carbon monoxide poisoning and be aware of the following hazards.

- **WARNING:** Do not operate machine without rotor hood installed and secure.
- **WARNING:** Do not operate the machine within a 50' radius of people, animals, automobiles or glassed areas which might be damaged or hurt by projectiles.
- **WARNING:** Operator must wear eye protection when operating the machine.
- **WARNING:** Operator must locate and stay clear of all underground gas, electric, water and communications lines before starting edging operation.
- **WARNING:** Beginning to edge or clean on initial ground contact is the most critical time for dangerous flying projectiles. Be especially cautious by policing the area for rocks or other possible projectiles and ensure the area is completely clear of people, animals, vehicles, etc. that may be damaged by projectiles.
- **WARNING:** If edger/cleaner strikes an underground object, STOP immediately to determine the object. Investigation should be done visually since touching an exposed wire could be fatal.

STOP!

ADD OIL TO ENGINE BEFORE USING: Engine is shipped without oil. DO NOT start edger without first adding oil. **INSPECT COMPONENTS:** Closely inspect to make sure no components are missing or damaged. See Initial Unpacking and Set-up for instructions and for whom to contact to report missing or damaged parts.

Any Questions, Comments, Problems or Parts Orders
Call Brave Product Support 1-800-350-8739

Page Intentionally Left Blank



WARNING

The engine exhaust from this product contains chemicals known to the State of California to cause cancer, birth defects or other reproductive harm.

CALIFORNIA

Proposition 65 Warning

Engine exhaust and some of its constituents are known to the State of California to cause cancer, birth defects and other reproductive harm.

CALIFORNIA

Proposition 65 Warning

Battery posts, terminals, wiring, insulation and related accessories contain lead and lead compounds, chemicals known to the State of California to cause cancer, birth defects and other reproductive harm.

WASH HANDS AFTER HANDLING

BRAVE

TABLE OF CONTENTS

Instruction Labels	5
Operation	6
Brush Safety	7
Specifications	8
Illustrated parts	9
Parts List	10
Parts List	11
Product Registration	13



ATTENTION!
THIS SYMBOL ALERTS YOU TO POTENTIAL
HAZARDOUS SITUATIONS



DANGER



WARNING



CAUTION



Operation

1. DO NOT operate product when barefoot or wearing open sandals. Always wear safety glasses, Protective footwear and pants that cover your legs.
2. DO NOT use product on gravel surfaces.
3. Never operate this product without good visibility.
4. Start the engine carefully. Make certain the brush / blade is raised in the store position, and that the engine stop switch is set to “on” before attempting to start. Keep hands, feet and clothing well away from moving parts.
5. Never attempt to make any adjustments while engine is running.
6. Never direct discharge of material toward bystanders. Keep area clear of people and pets. Be aware of your surroundings at all times.
7. Stay alert for uneven pavement, holes in terrain or other unstable conditions when using this product. Always push the machine slowly over rough surfaces.
8. Objects struck by the brush / blade can cause injuries. The surface should always be carefully examined and cleared of all foreign objects prior to operation.
9. Elevate the brush / blade when the product is not in use. Take all possible precautions when leaving the machine unattended. Disengage attachments and stop the engine.
10. When cleaning, repairing, or inspecting, make certain the brush / blade and all moving parts have stopped, and the engine is not running. Disconnect the spark plug wire and keep the wire away from the plug so that unintentional starting does not occur. Keep all guards free from debris build-up.
11. Never operate this product without guards, plates or other protective devices in place.
12. Use only accessories and attachments supplied, or specifically recommended by the manufacturer.
13. Do not operate this product with a damaged or excessively worn brush / blade.
- 14. CAUTION:** Operate this product from a position where guards block the line of sight to the brush / blade.

Operation

Power Brush Safety:

Warning - In normal power brushing operations, the material being removed such as dirt, debris, small stones and other residue will fly off the brush with considerable force along with brush filaments, which break off due to wear and fatigue.

The **Potential of Serious Injury Exists** for both the brush operator and others in the work area (possible 50 or more feet from the brush.) To protect against this hazard, wear **Safety Goggles** or **Full Face Shields Worn over Safety Glasses with Side Shields**, along with **Protective Clothing**. You must follow all operator and safety instructions, as well as all common safety practices, which reduce the likelihood of physical injury, or reduce its severity.

Summary - Power Brush Safety:

Safety Goggles - Safety goggles or full face shields worn over safety glasses with side shields **Must Be Worn by all Operators and Others in the Area of Power Brush Operations.**

Guards - Keep all machine guards in place.

Speeds - Observe all speed restrictions indicated on brushes, containers, and labels or printed in pertinent literature. "MSFS" means Maximum Safe Free Speed (R.P.M.) spinning free with no work applied. For reasons of safety, "MSFS" should not be exceeded under any circumstances.

Protective Equipment - Appropriate protective clothing and equipment must be used where there is a possibility of injury that can be prevented by such clothing or equipment.

Warning! Failure to Observe Safety Precautions May Result in Injury.

BRAVE

Specifications

BRPE105H/BRPC105H

Engine: CC	118 CC
Engine: Model	GX120UT2QX2
Engine: Type	HONDA OHV
Engine: Fuel Capacity	2.1 qt. (2.0L)
Total Unit Weight:	.59 qt. (0.6 L)
Max Operating Slope:	87 Lbs (39.46 kg)

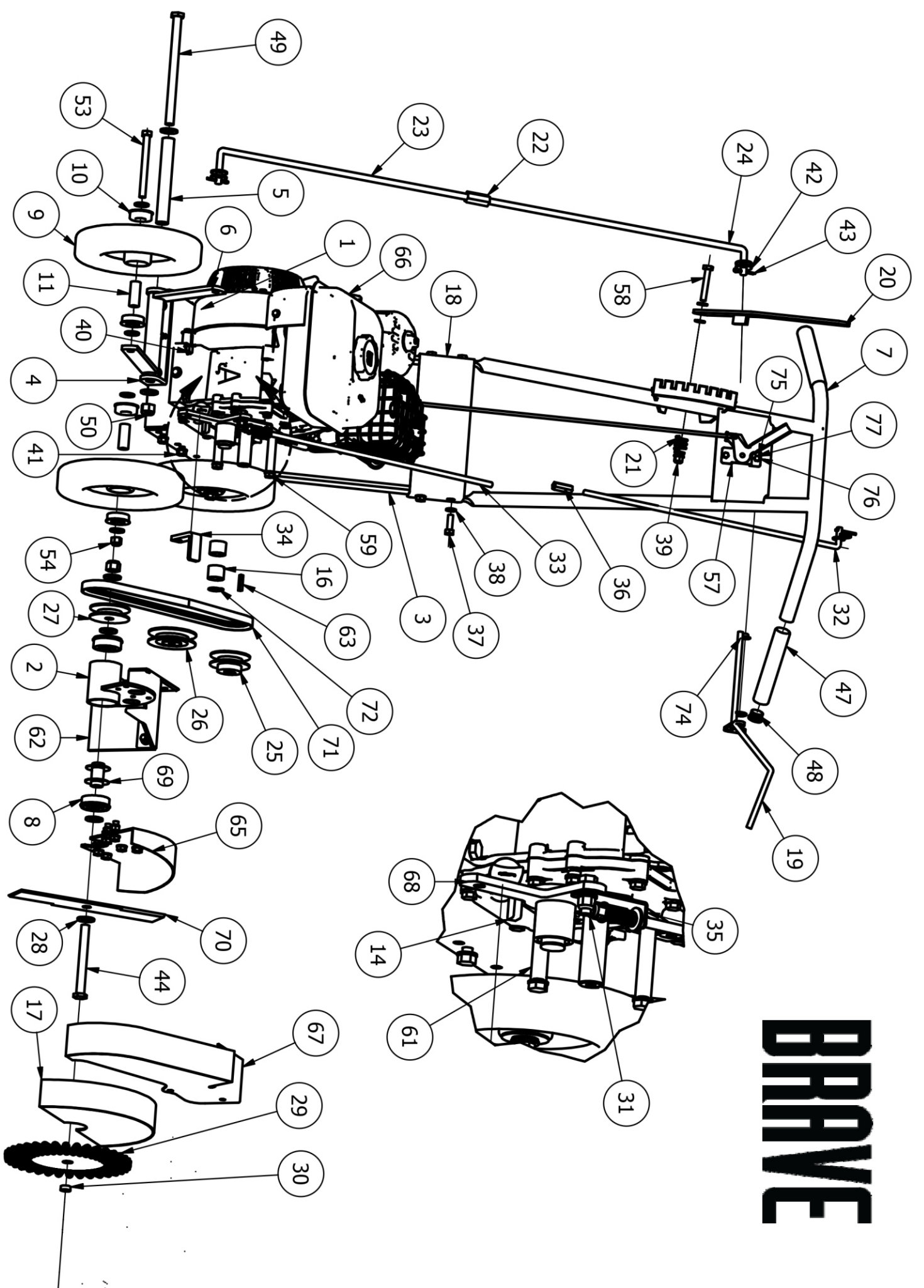


BRPE105H



BRPC105H

BRAVE



PARTS LIST			
ITEM	QTY	PART NUMBER	DESCRIPTION
1	1	BR11803	ENGINE BASE
2	1	BR11848	ARBOR DRIVE ASSEMBLY
3	2	BR11787	HANDLE ARM
4	1	BR11791	WHEEL BRACKET CLEVIS
5	1	12228	FRONT PIVOT SPACER
6	1	BR11859	WHEEL BRACKET
7	1	BR11866	HANDLE ASSEMBLY
8	2	12231	DRIVE BEARING
9	4	11829	WHEEL ASSEMBLY
10	8	11493	.625" UNGROUND FLANGED BALL
11	4	12230	SLEEVE WHEEL SPANNER
14	1	BR11860	IDLER ARM BASE
16	2	07024	BRONZE BUSHING
17	1	BR12235	SHROUD-BRUSH
18	1	BR12236	HANDLE CROSSOVER PLATE
19	1	BR11851	ENGAGEMENT HANDLE
20	1	11814	ADJUSTER ARM
21	1	11816	ADJUSTER ARM SPRING
22	1	11790	COUPLING NUT 3/8-16
23	1	BR11862	LOWER ADJUSTING ROD
24	1	BR11863	UPPER ADJUSTING ROD
25	1	12255	MOTOR PULLEY
26	1	11818	IDLER PULLEY
27	1	11822	ARBOR DRIVE PULLEY
28	4	11127	.500" SAE FLAT WASHER
29	1	12237	WIRE BRUSH
30	1	12304	REDUCER BUSHING
31	1	11813	ENGAGEMENT SPRING
32	1	BR11854	UPPER ENGAGEMENT ROD
33	1	BR11855	LOWER ENGAGEMENT ROD
34	1	BR11846	BELT RETAINER
35	1	BR11808	ENGAGEMENT SPRING TAB
36	1	11842	COUPLING NUT 5/16-18
37	8	11815	5/16-18 X 1.00" HHCS
38	30	11845	.250" USS FLAT WASHER
39	23	11905	5/16-18 NYLON LOCK NUT
40	4	11914	5/16-18 X 1.50" HHCS
41	2	11147	5/16-18 X 1.25" HHCS
42	2	11155	.375" FLAT WASHER
43	3	11838	COTTER PIN
44	1	12238	1/2-13 X 4 HHCS

PARTS LIST

ITEM	QTY	PART NUMBER	DESCRIPTION
45	1	11916	5/16-24 X 1.00" HHCS
46	1	11904	5/16 SPLIT LOCK WASHER
47	2	11865	HANDLE GRIP
48	2	11861	HANDLE END CAP
49	1	12239	1/2-13 X 7" HHCS
50	2	11145	1/2-13 NYLON LOCK NUT
51	1	02258	GREASE ZERK
52	2	12240	3/8-16 X 3" HHCS REAR WHL BOLT
53	1	12241	3/8-16 X 4" HHCS
54	3	11150	3/8-16 NYLON LOCK NUT
55	12	11366	5/16 USS WASHER
57	1	12302	THROTTLE CONTROL ASSEMBLY
58	1	12242	5/16-18 X 2" HHCS
59	2	12243	5/16-24 X 3.25" HHCS
61	2	BR11797	GUARD SPACER
62	1	11821	RUBBER SWEEP
63	1	11844	3/16" KEY STOCK
65	1	BR11802	BLADE GUARD-EDGER
66	1	ENGINE	MODEL SPECIFIC
67	1	BR11801	BELT GUARD
68	1	BR11789	IDLER ARM
69	1	12226	BEARING SPACER
70	1	11820	BLADE
71	1	11856	DRIVE BELT
72	1	12247	.750 EXTERNAL RETAINING RING
74	1	12225	5/16 AXLE CAP
75	2	12298	#10-24 X.6 CAP SCREW
76	2	11409	#8 FLAT WASHER
77	2	12299	10-24 NYLON LOCK NUT



**Brave
Product Registration Form**

YOUR INFORMATION

Full Name:

Last First M.I.

Address:

Street Address Apartment/Unit #

City State ZIP Code

Home Phone:

**Alternate
Phone:**

Email

PURCHASED FROM

Company:

Address:

Street Address Apartment/Unit #

City State ZIP Code

MODEL INFORMATION

Purchase Date

Application Type

Homeowner

Commercial

Rental

Model (i.e. BRPT704H)

Serial # (i.e. 123456)

Signature

Register your product online at www.braveproducts.com



Dear Valued Customer:

The Brave product you just purchased is built with the finest material and craftsmanship. Use this product properly and enjoy the benefits from its high performance. By purchasing a Brave product, you show a desire for quality and durability. Like all mechanical equipment this unit requires a due amount of care. Treat this unit like the high quality piece of machinery it is. Neglect and improper handling may impair its performance.

Thoroughly read the instructions and understand the operation before using your product. Always contact Brave Product Support at 1-800-350-8739 prior to having any service or warranty work performed, as some services performed by parties other than Brave approved service centers may void this warranty. This limited warranty is in lieu of any other warranty expressed or implied, written or oral and Brave assumes no other responsibility or liability outside that expressed within this limited warranty.

Limited Warranty for Brave Edgers & Crack Cleaners:

Models:
BRPE105H BRPE109H BRPC105H

	Consumer Warranty Period	Commercial Warranty Period
Weldments		
	2 years from date of purchase by user	2 year from date of purchase by user
Wear Parts	In addition to the normal warranty, Brave shall warrant some normal wear items from defects in material or workmanship for a period of 30 days from the date of purchase by user. Normal wear items covered under this warranty are limited to: High impact wear related components such as standard retention hardware for wear items, bearings, belts and bushings, drive and driven pulleys, blades. Routine maintenance items such as lubricants, clutch adjustments, tune ups are not covered under warranty.	
Engines	The engine warranty is covered under the terms and conditions as outlined by the engine manufactures warranty contained herein and is the sole responsibility of the engine manufacturer. Normal engine maintenance such as spark plugs, oil changes, air filters, adjustments, fuel system cleaning and obstruction due to build up is not covered by this Brave limited warranty.	

“**Consumer use**” means personal residential household use by a consumer. “**Commercial use**” means all other uses, including, but not limited to, use for commercial, income producing or rental purposes or when purchased by a business.

This limited warranty applies to the original purchaser of the equipment (verification of purchase, in the form of a receipt, is the responsibility of the buyer), is non-transferable, and covers parts and labor. Parts will be replaced or repaired at no charge, except when the equipment has failed due to lack of proper maintenance. If a part is no longer available, the part may be replaced with a similar part of equal function. Any misuse, abuse, alteration or improper installation or operations will void warranty. Determining whether a part is to be replaced or repaired is the sole decision of Brave. Brave will not provide for replacement of complete products due to defective parts. Any costs incurred due to replacement or repair of items outside of a Brave approved facility is the responsibility of the buyer and not covered under warranty. Transportation costs to and from service center and/or service calls are the responsibility of the customer.

This limited warranty specifically excludes the following: failure of parts due to damage caused by accident, fire, flood, windstorm, acts of God, applications not approved by Brave in writing, corrosion caused by chemicals, use of replacement parts which do not conform to manufacturer’s specifications, damage related to rodent and/or insect infestation and damage caused by vandalism. Additional exclusions: loss of running time, inconvenience, loss of income, or loss of use, including any implied warranty of merchantability of fitness for a specific use. Also, outdoor power equipment needs periodic parts and service to perform well, and this limited warranty does not cover instances when normal use has exhausted the life of a component or the engine.

This limited warranty does not cover any personal injury or damage to surrounding property caused by failure of any part, misuse or inability to use the product. Alteration of the product, including safety features, shall void this limited warranty.

Repair or replacement of parts does not extend the warranty period. This limited warranty gives you specific legal rights. You may also have other rights that vary by state. Please have model number, item number and serial number on hand prior to making a warranty claim or inquiry.

For products purchased on or after January 1, 2018

BRAVE

20195 S. Diamond Lake Rd, Ste 100
Rogers, MN 55374
1-800-350-8739