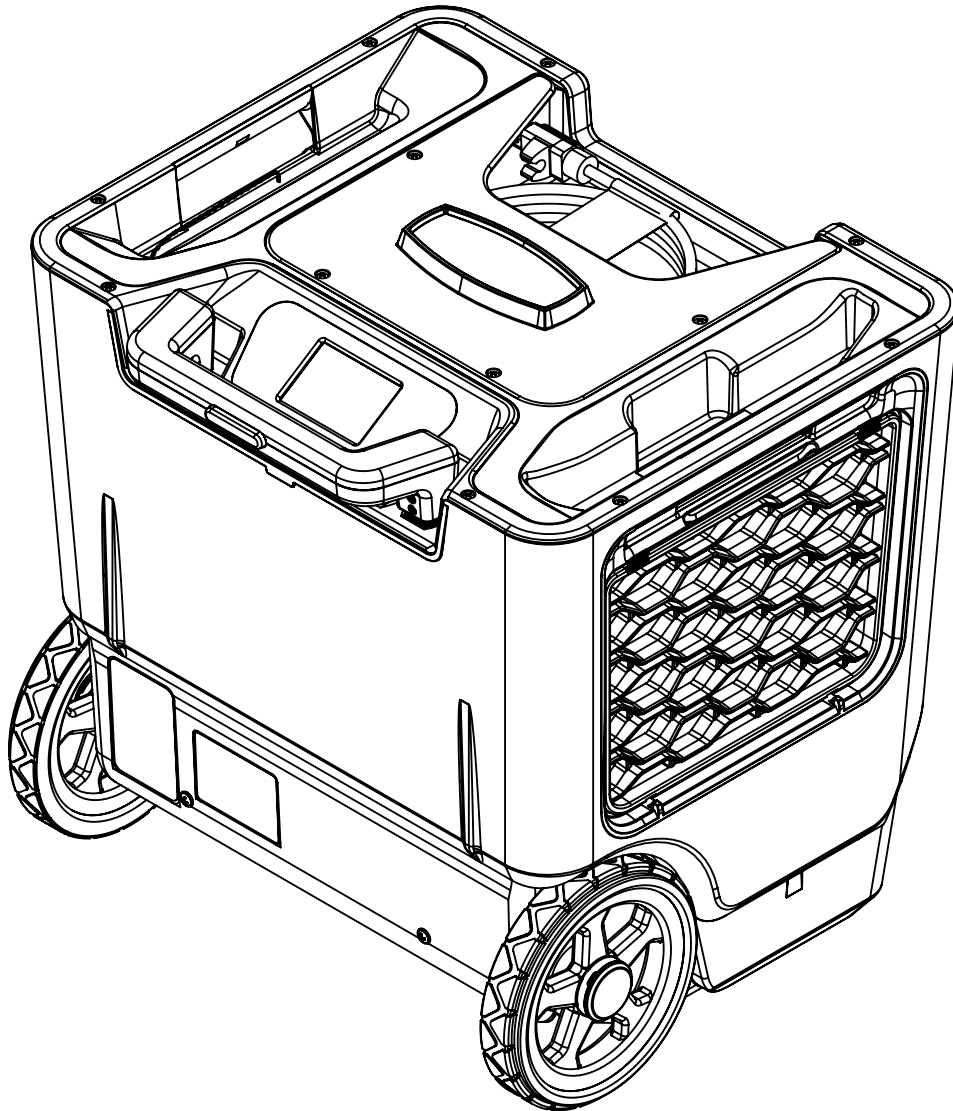


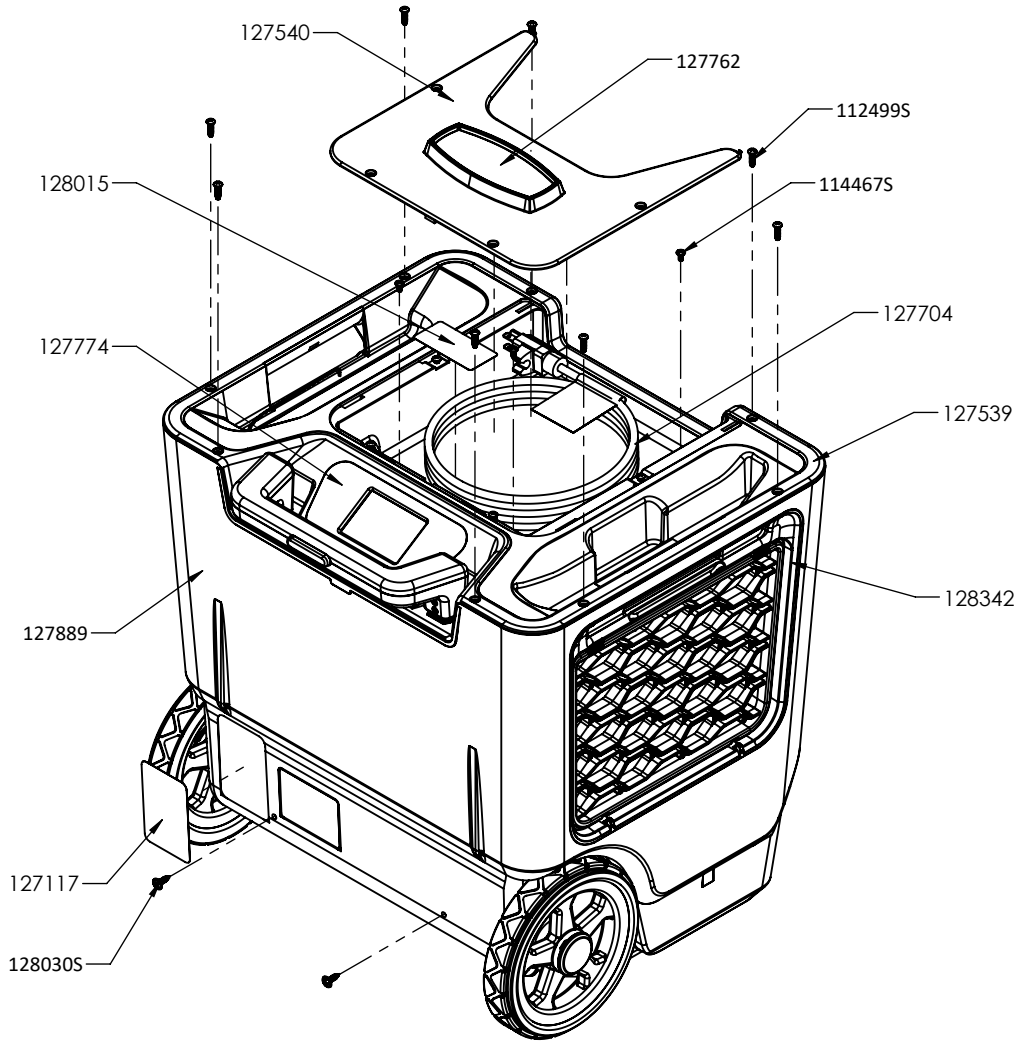
# LGR 5000Li

## LOW GRAIN REFRIGERANT DEHUMIDIFIER

MANUFACTURING DATE: 10/2025 - PRESENT



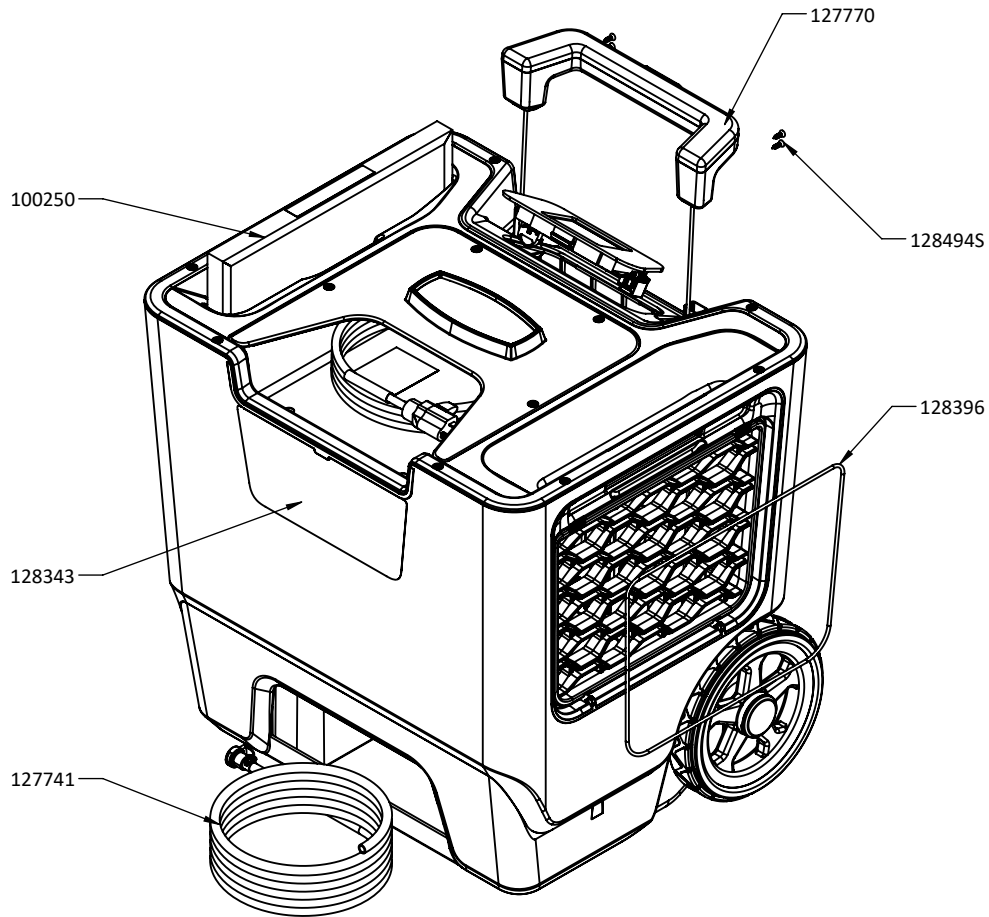
Parts are available through Legend Brands distributors. To locate a distributor near you, visit [www.legendbrands.com/how-to-buy/dealer-directory](http://www.legendbrands.com/how-to-buy/dealer-directory)  
For technical questions, visit [info.LegendBrands.com](http://info.LegendBrands.com) or email [service@legendbrandsrestoration.com](mailto:service@legendbrandsrestoration.com)



FRONT OF UNIT

PART NO.	QTY	UNIT	DESCRIPTION
128342	2	Each	GRILLE - INLET OUTLET 5000LI DEHU ABS COOL GREY 11
128030S	2	S-Each	SCREW - M4.8 X 1.61 X 16MM TH PHIL BO
128015	1	Each	LABEL - ADDITIONAL MARKINGS RED DEHUS
127889	1	Each	HOUSING - MAIN BODY PP DRI-EAZ BLUE
127774	1	Each	ASSY - LOW VOLTAGE DISPLAY
127762	1	Each	LABEL - DRI EAZ DOMED BADGE
127704	1	Each	POWER CORD ASSY - 14/3 SJTW 5/15 25 FT MULTI PIN
127540	1	Each	HOUSING - LOGO PLATE ABS COOL GREY 11
127539	1	Each	HOUSING - MAIN TOP ABS COOL GREY 11
127117	1	Each	LABEL - WARNING SMALL R32 IEC DEHUS
114467S	4	Each	SCREW - M4 X 8MM PHP NYLOC ZP
112499S	20	Each	SCREW - #10 x 5/8 HIGH LOW PHP BLK
109374	1	Each	NUT - HEX M4-0.7 WITH STAR WASHER ZP

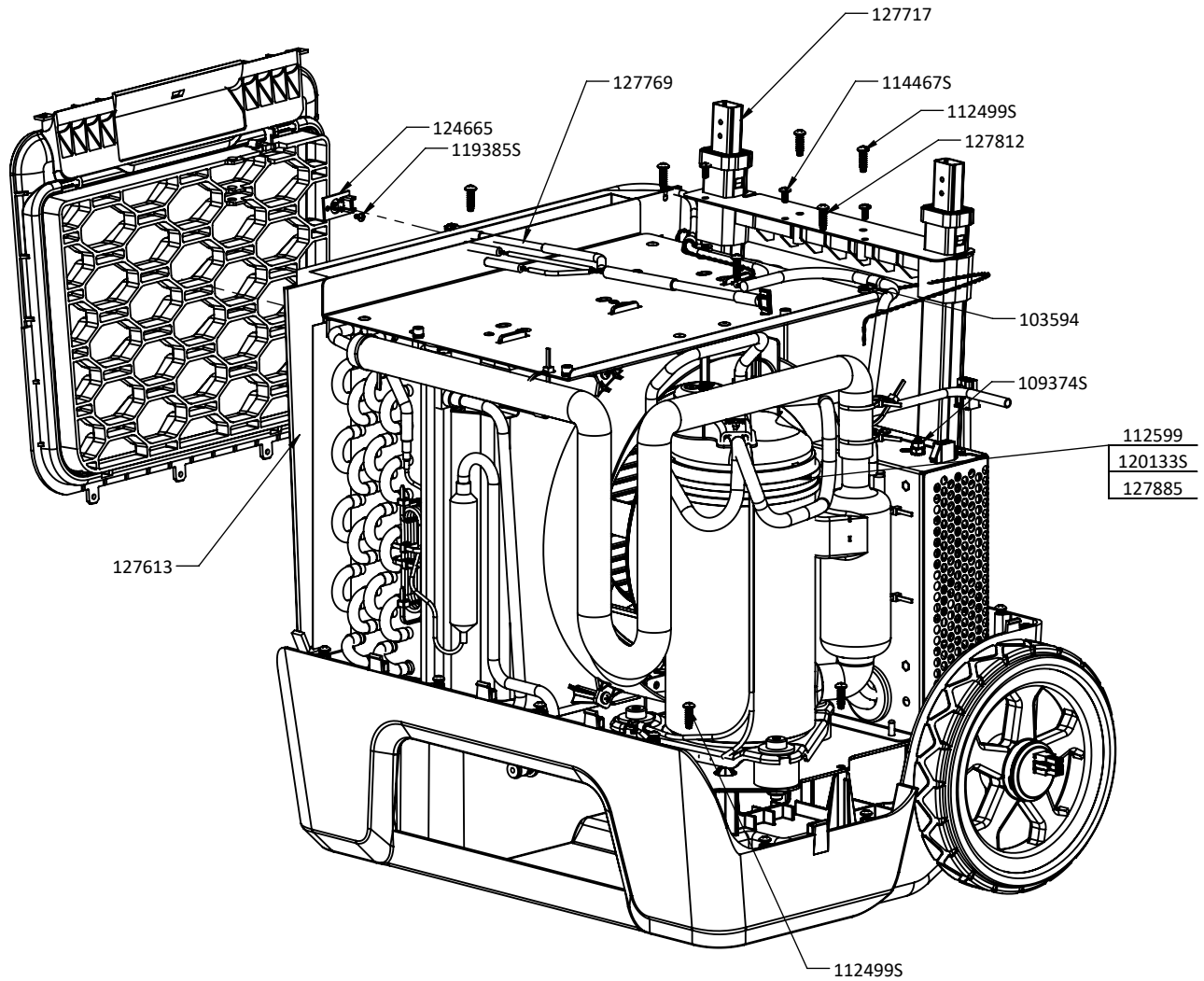
Parts are available through Legend Brands distributors. To locate a distributor near you, visit [www.legendbrands.com/how-to-buy/dealer-directory](http://www.legendbrands.com/how-to-buy/dealer-directory)  
 For technical questions, visit [info.LegendBrands.com](http://info.LegendBrands.com) or email [service@legendbrandsrestoration.com](mailto:service@legendbrandsrestoration.com)



BACK OF UNIT

PART NO.	QTY	UNIT	DESCRIPTION
128494S	4	Each	SCREW - #8-32 X 3/8 TYPE T PHIL FH TC ZP
128396	1	Each	RING - DUCT ATTACHMENT ZP 5000LI DEHU
128343	1	Each	LABEL - PRODUCT LGR 5000LI
127770	1	Each	HANDLE - TOUCH POINT NYLON COOL GREY 11
127741	1	Each	DISCHARGE HOSE ASSY - 40FT
100250	1	PK	FILTER - 4 PRO DEHUMIDIFIER DZ1200/DZ1400/LGR 7000XLI

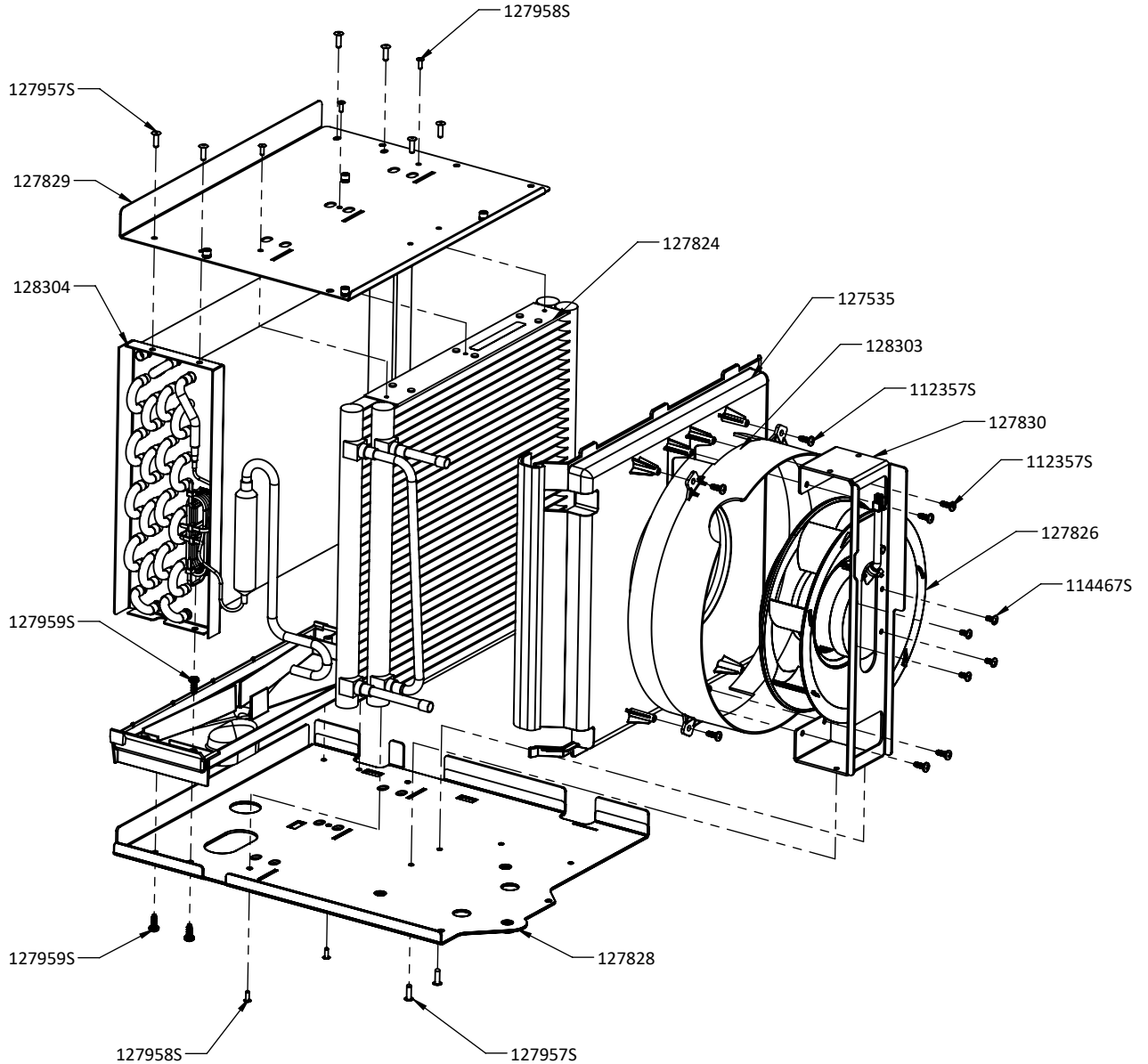
Parts are available through Legend Brands distributors. To locate a distributor near you, visit [www.legendbrands.com/how-to-buy/dealer-directory](http://www.legendbrands.com/how-to-buy/dealer-directory)  
 For technical questions, visit [info.LegendBrands.com](http://info.LegendBrands.com) or email [service@legendbrandsrestoration.com](mailto:service@legendbrandsrestoration.com)



### CHASSIS OVERVIEW

PART NO.	QTY	UNIT	DESCRIPTION
127885	1	Each	BRACKET - VIBRATION DAMPING 4 1/8 ID
127812	1	Each	BRACKET - HANDLE DEHU
127769	1	Each	CORD SET - ENVIRONMENTAL SENSORS DEHU
127717	1	Each	HANDLE ASSY - TELESCOPING DEHU
127613	1	Each	BRACKET - FILTER BAFFLE DZ 1400 ABS ECONO BLACK
120133S	1	Each	WASHER - #10 ANSI EXTERNAL TOOTH ZP
112599	1	Each	SCREW - M5 X 14MM PHP ZP
124665	1	Each	PCBA - TEMP/RH SHT31 (DEHUMIDIFIERS)
119385S	1	Each	SCREW - #4 X 1/4 AB PHP ZP
114467S	3	Each	SCREW - M4 X 8MM PHP NYLOC ZP
112499S	4	Each	SCREW - #10 x 5/8 HIGH LOW PHP BLK
109374S	1	Each	NUT - HEX M4-0.7 WITH STAR WASHER ZP
103594	2	Each	CLAMP - CABLE .38 WIDE X .25 ID NYLON BLK

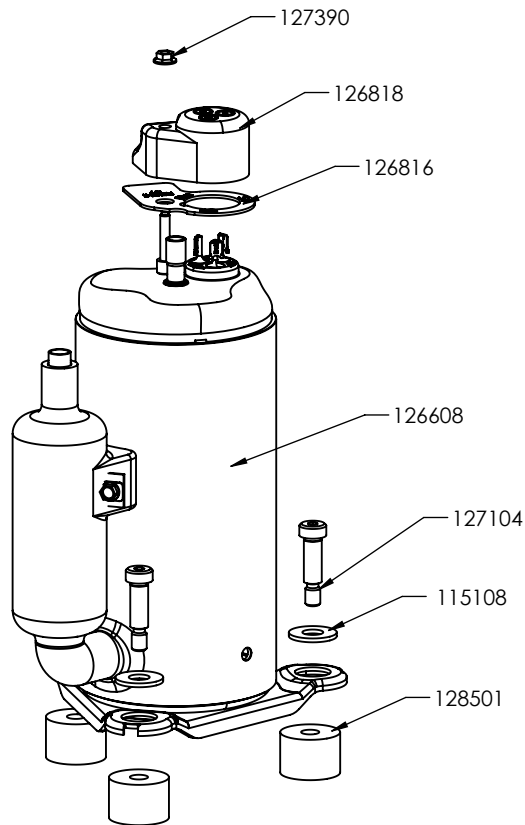
Parts are available through Legend Brands distributors. To locate a distributor near you, visit [www.legendbrands.com/how-to-buy/dealer-directory](http://www.legendbrands.com/how-to-buy/dealer-directory)  
 For technical questions, visit [info.LegendBrands.com](http://info.LegendBrands.com) or email [service@legendbrandsrestoration.com](mailto:service@legendbrandsrestoration.com)



**COILS & BLOWER ASSEMBLY DETAIL**

PART NO.	QTY	UNIT	DESCRIPTION
128304	1	Each	COIL ASSY - EVAPORATOR LGR 5000Li
128303	1	Each	RING SHROUD - 5000LI PP BLK
127959S	6	Each	SCREW - M5 x 12mm Plastite PHP (SCREW - ST 4.2 X 9.5 PHP)
127958S	6	Each	RIVET - 3 X 8 MM STL/STL ZP
127957S	10	Each	RIVET - 4 X 12 MM STL/STL ZP
127830	1	Each	BRACKET - FAN MOUNTING
127829	1	Each	BRACKET - COIL ASSY TOP
127828	1	Each	BRACKET - COIL ASSY BOTTOM
127826	1	Each	BLOWER - 190 MM 24V 72 WATTS 3150 RPM PWM
127824	1	Each	COIL ASSY - COND MICROCHANNEL
127536	1	Each	DRIP TRAY - DZ 1400/LGR 5000LI PP BLK
127535	1	Each	SHROUD - DZ 1400/LGR 5000LI PP BLK
114467S	5	Each	SCREW - M4 X 8MM PHP NYLOC ZP
112357S	8	Each	SCREW - #8 X 1/2 PHIL PH ZP

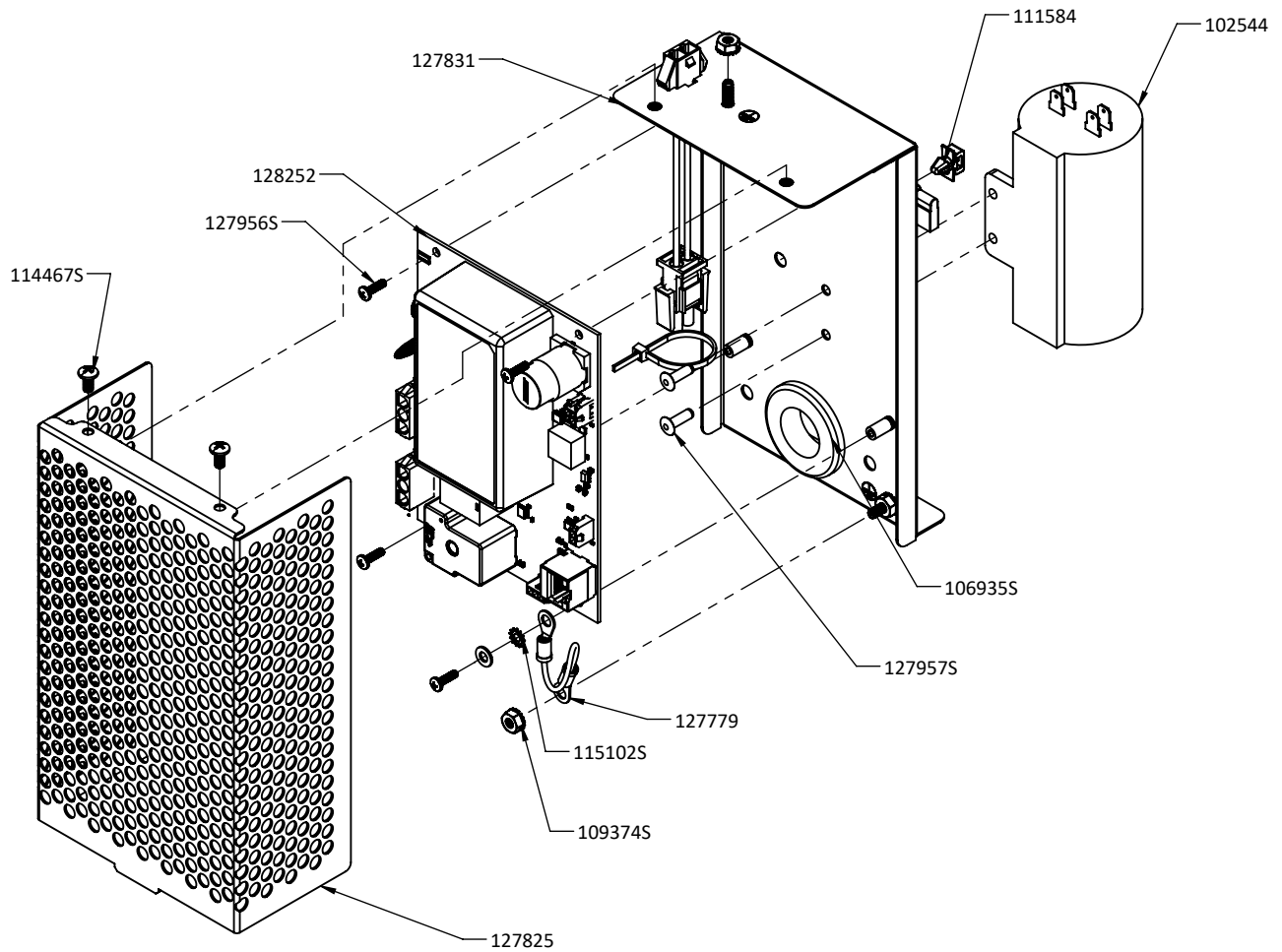
Parts are available through Legend Brands distributors. To locate a distributor near you, visit [www.legendbrands.com/how-to-buy/dealer-directory](http://www.legendbrands.com/how-to-buy/dealer-directory)  
 For technical questions, visit [info.LegendBrands.com](http://info.LegendBrands.com) or email [service@legendbrandsrestoration.com](mailto:service@legendbrandsrestoration.com)



COMPRESSOR DETAIL

PART NO.	QTY	UNIT	DESCRIPTION
128501	3	EA	GROMMET - .38 ID X 1.25 OD X .87 RUBBER BLK
127390	1	Each	NUT - SERRATED COMPRESSOR TERMINAL COVER RECHI
127104S	3	Each	BOLT - SHOULDER 5/16-18 X 3/8 X 1.00
126818	1	Each	COVER - COMPRESSOR TERMINAL RECHI
126816	1	Each	GASKET - COMPRESSOR TERMINAL RUBBER RECHI
126608	1	Each	COMPRESSOR RECHI - ROTARY 115V 6905 BTU R32
115108S	3	Each	WASHER - 3/8 USS .43 ID X 1.00 OD X .08 ZP

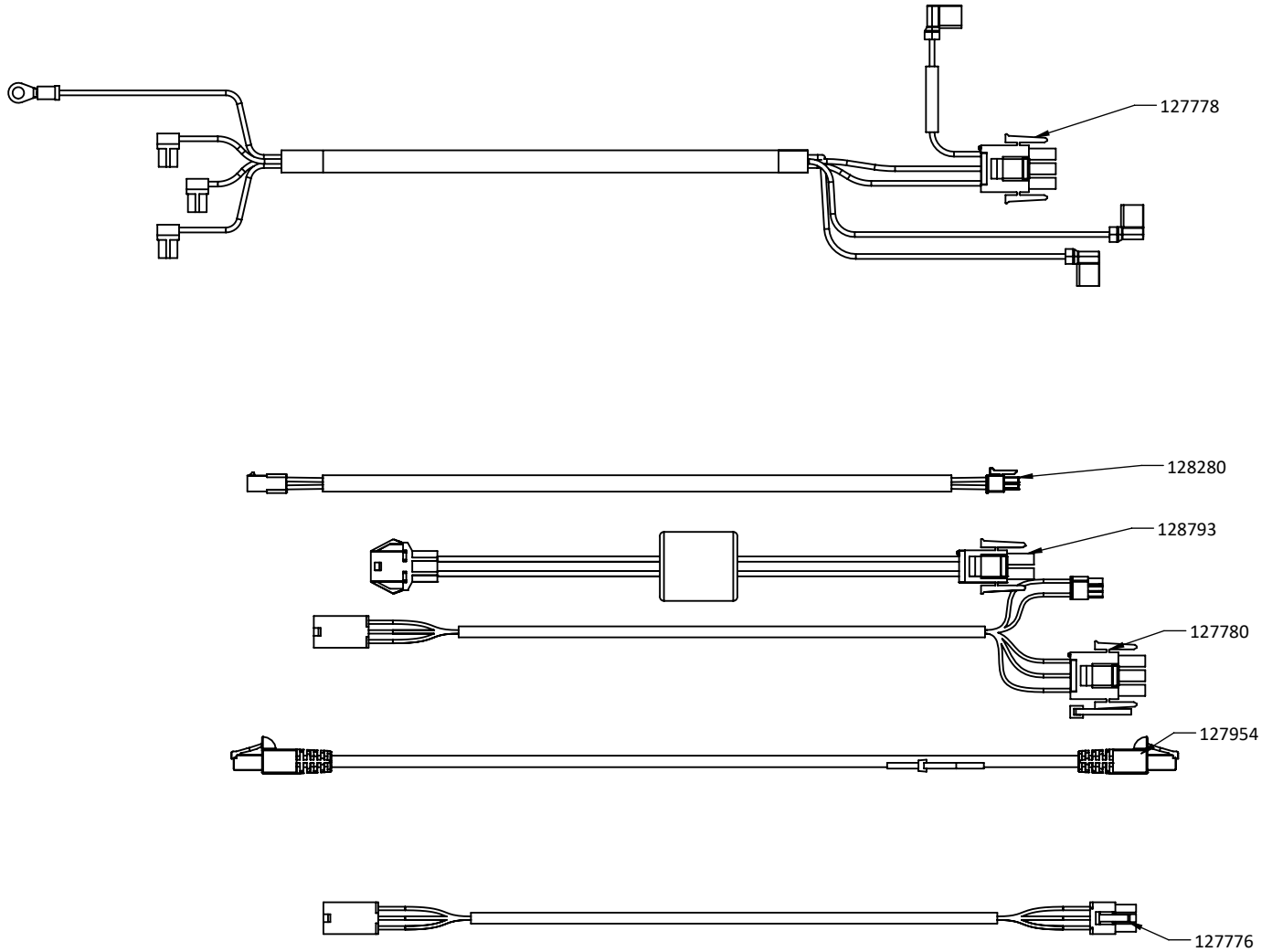
Parts are available through Legend Brands distributors. To locate a distributor near you, visit [www.legendbrands.com/how-to-buy/dealer-directory](http://www.legendbrands.com/how-to-buy/dealer-directory)  
 For technical questions, visit [info.LegendBrands.com](http://info.LegendBrands.com) or email [service@legendbrandsrestoration.com](mailto:service@legendbrandsrestoration.com)



### HIGH VOLTAGE BOX

PART NO.	QTY	UNIT	DESCRIPTION
128252	1	Each	PCBA - HIGH VOLTAGE 115V DEHUS MULTI-PIN 24VDC
127957S	2	Each	RIVET - 4 X 12 MM STL/STL ZP
127956S	4	Each	SCREW - M3 X .5 X 10MM PHP ZP
127831	1	Each	BRACKET - HV MOUNTING DEHU
127825	1	Each	BRACKET - HV ENCLOSURE LID
127779	1	Each	CORD SET - JUMPER GROUND DEHU
115102S	1	Each	WASHER - #6 EXTERNAL TOOTH
114467S	2	Each	SCREW - M4 X 8MM PHP NYLOC ZP
111584	1	Each	PUSH MOUNT - NYLON TIE
109374S	3	Each	NUT - HEX M4-0.7 WITH STAR WASHER ZP
106935S	1	Each	GROMMET - .875 ID X 1.625 OD RUBBER
102544	1	Each	CAPACITOR - 55MFD 370V 2.0 DIA ROUND W/MTG BRKT

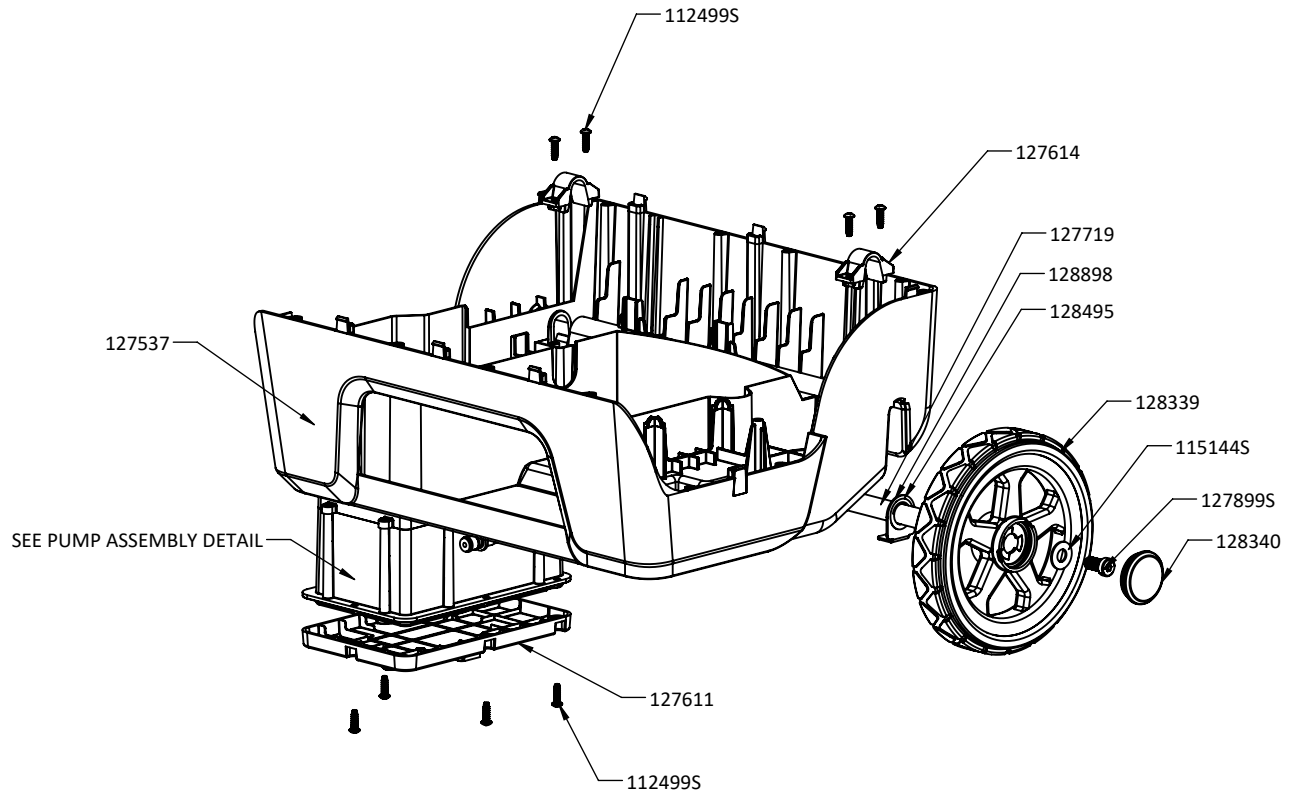
Parts are available through Legend Brands distributors. To locate a distributor near you, visit [www.legendbrands.com/how-to-buy/dealer-directory](http://www.legendbrands.com/how-to-buy/dealer-directory)  
 For technical questions, visit [info.LegendBrands.com](http://info.LegendBrands.com) or email [service@legendbrandsrestoration.com](mailto:service@legendbrandsrestoration.com)



### WIRING HARNESES

PART NO.	QTY	UNIT	DESCRIPTION
128793	1	Each	CABLE ASSY - FREE HANGING FERRITE CNZ CORE
128280	1	Each	CORD SET - JUMPER BLOWER W/CONNECTORS DEHU
127954	1	Each	CABLE ASSY - JACKETED RJ50 2 FT
127780	1	Each	CORD SET - JUMPER PUMP INTERMEDIATE DEHU
127778	1	Each	CORD SET - JUMPER COMPRESSOR W CONNECTORS DEHU
127776	1	Each	CORD SET - JUMPER PUMP W CONNECTORS DEHU

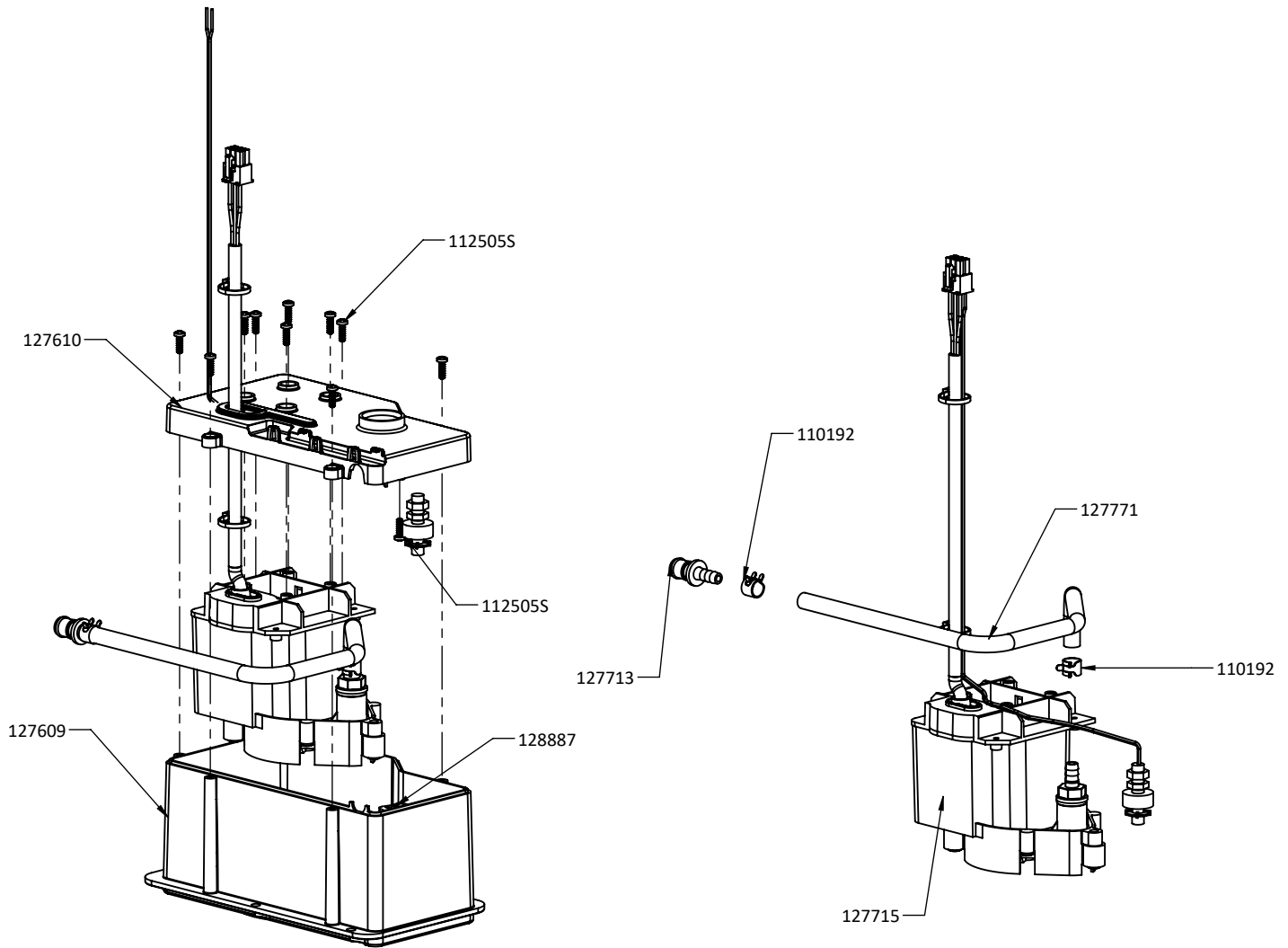
Parts are available through Legend Brands distributors. To locate a distributor near you, visit [www.legendbrands.com/how-to-buy/dealer-directory](http://www.legendbrands.com/how-to-buy/dealer-directory)  
 For technical questions, visit [info.LegendBrands.com](http://info.LegendBrands.com) or email [service@legendbrandsrestoration.com](mailto:service@legendbrandsrestoration.com)



### BOTTOM, CLIPS, AND AXLE

PART NO.	QTY	UNIT	DESCRIPTION
128898	2	Each	ANTI AXLE ROTATION WASHER
128495	2	Each	WASHER - CURVED SPRING 0.98 OD X 0.663 ID X 0.014 COATED
128340	2	Each	DUST CAP - 7 OD WHEEL FOR 5000LI
128339	2	Each	WHEEL - 7 X 2 X 5/8 BORE 5000LI
127899S	2	Each	SCREW - 3/8 X 16 X 1/2 ULTRA LOW PROFILE SHS
127719	1	Each	AXLE - DEHU
127614	2	Each	BRACKET - AXLE RETAINER DZ 1400 PP ECONO BLACK
127611	1	Each	HOUSING - PUMP COVER DEHU PP COOL GREY 11
127537	1	Each	HOUSING - LOWER BODY PP COOL GREY 11
115144S	2	Each	WASHER - 3/8 SAE .406 ID X .88 OD X .065 SS
112499S	8	Each	SCREW - #10 x 5/8 HIGH LOW PHP BLK

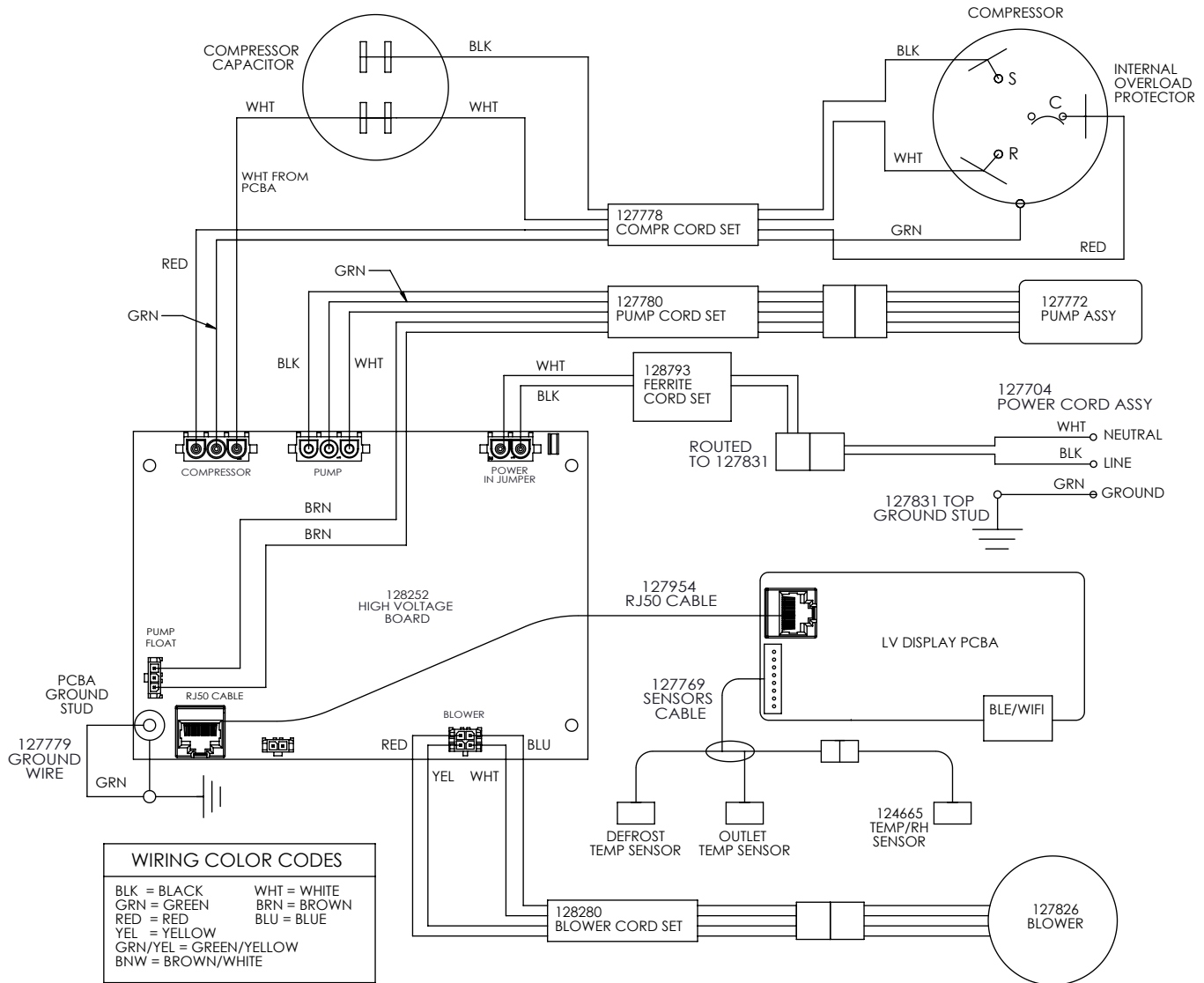
Parts are available through Legend Brands distributors. To locate a distributor near you, visit [www.legendbrands.com/how-to-buy/dealer-directory](http://www.legendbrands.com/how-to-buy/dealer-directory)  
 For technical questions, visit [info.LegendBrands.com](http://info.LegendBrands.com) or email [service@legendbrandsrestoration.com](mailto:service@legendbrandsrestoration.com)



### PUMP ASSEMBLY

PART NO.	QTY	UNIT	DESCRIPTION
128887	1	Each	BRACKET - FLOAT SWITCH MOUNTING ABS BLK
127771	1	Each	TUBE - 1/4 ID X 3/8 OD X 7IN VINYL
127715	1	Each	PUMP - SUBMERSIBLE 115V 1.3 GPM STUB CORD QC TERMINAL
127714	1	Each	SWITCH - SPLIT MAGNETIC FLOAT W SOCKET CONTACTS
127713	1	Each	FITTING - QUICK DISCONNECT MALE 1/4 BARB
127610	1	Each	LID - PUMP DEHU PP ECONO BLACK
127609	1	Each	TANK - PUMP DEHU PP ECONO BLACK
112505S	9	Each	SCREW - #6 X 1/2 HI LOW PHP ZP BLK
110192	2	Each	CLAMP - 3/8 ID HOSE GRN

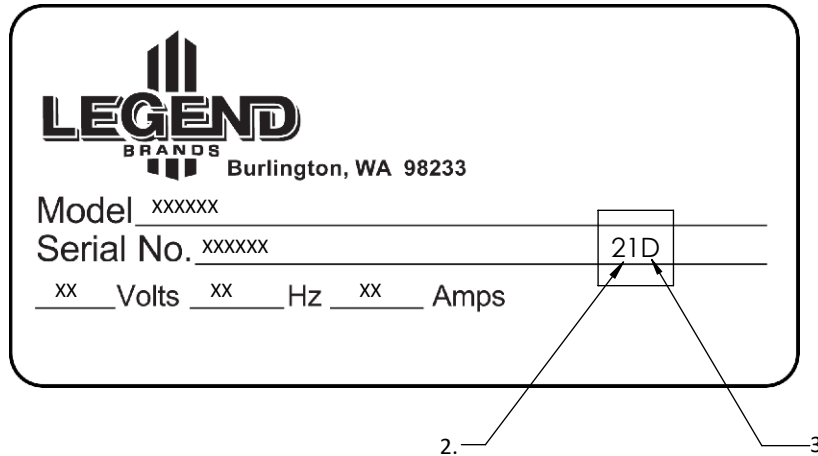
Parts are available through Legend Brands distributors. To locate a distributor near you, visit [www.legendbrands.com/how-to-buy/dealer-directory](http://www.legendbrands.com/how-to-buy/dealer-directory)  
 For technical questions, visit [info.LegendBrands.com](http://info.LegendBrands.com) or email [service@legendbrandsrestoration.com](mailto:service@legendbrandsrestoration.com)



**WIRING SCHEMATIC - 115V LGR 5000Li (127690)**

Parts are available through Legend Brands distributors. To locate a distributor near you, visit [www.legendbrands.com/how-to-buy/dealer-directory](http://www.legendbrands.com/how-to-buy/dealer-directory)  
 For technical questions, visit [info.LegendBrands.com](http://info.LegendBrands.com) or email [service@legendbrandsrestoration.com](mailto:service@legendbrandsrestoration.com)

# DATE CODE LEGEND



1. THE DATE CODE CAN BE FOUND ON THE RIGHT SIDE OF THE SERIAL NUMBER LINE
2. THE FIRST PORTION OF THE DATE CODE REPRESENTS THE LAST TWO DIGITS OF THE YEAR IN WHICH THE PRODUCT WAS MANUFACTURED
3. THE SECOND PORTION OF THE DATE CODE REPRESENTS THE MONTH IN WHICH THE PRODUCT WAS MANUFACTURED. THE MONTHS ARE REPRESENTED BY LETTERS OUTLINED IN THE TABLE BELOW.

LETTER	MONTH
A	JANUARY
B	FEBRUARY
C	MARCH
D	APRIL
E	MAY
F	JUNE
G	JULY
H	AUGUST
I	SEPTEMBER
J	OCTOBER
K	NOVEMBER
L	DECEMBER

**NOTE:**  
 SERIAL LABEL DETAILS (I.E. BRANDING, SPECIFICATIONS, ETC.) ARE SUBJECT TO CHANGE BASED ON THE PRODUCT

Parts are available through Legend Brands distributors. To locate a distributor near you, visit [www.legendbrands.com/how-to-buy/dealer-directory](http://www.legendbrands.com/how-to-buy/dealer-directory)  
 For technical questions, visit [info.LegendBrands.com](http://info.LegendBrands.com) or email [service@legendbrandsrestoration.com](mailto:service@legendbrandsrestoration.com)