

OWNER'S MANUAL

BLOCKBUSTER MINI MASONRY SAW

Model: **BBM307 | BBM158**



Scan for a
Digital Copy of the
Owner's Manual

CAUTION: Read all safety and operating instructions before using this equipment.
This manual **MUST** accompany the equipment at all times.

REDEFINING
JOBSITE MUSCLE™

BBM307 saws manufactured by Norton Clipper are warranted against defects in workmanship or materials for a period of six (6) months from the original purchase date from Norton Clipper when used in commercial, institutional, rental, or professional use.

BBM158 saws manufactured by Norton Clipper are warranted against defects in workmanship or materials for a period of one (1) year from the original purchase date from Norton Clipper when used in commercial, institutional, rental, or professional use.

To activate your warranty for all Norton Clipper products visit the **Product Registration** page on the website and register your machine.

The responsibility of Norton Clipper under this warranty is limited to replacement or repair of defective parts at a point designated by it, of such part as shall appear to us upon inspection at such point, to have been defective in material or workmanship, with expense for transportation borne by the customer.

In no event shall Norton Clipper be liable for consequential or incidental damages arising out of the failure of any product to operate properly.

Integral units such as **gasoline engines, electric motors, batteries, tires, transmissions, etc.**, are excluded from this warranty and are subject to the prime manufacturer's warranty. This warranty is in lieu of all other warranties, expressed or implied, and all such other warranties are hereby disclaimed.

Important: Before placing equipment in operation, record the following information:

UPC #: <i>(starts with 701846-xxxxx)</i>	MODEL #:
<input type="text"/>	<input type="text"/>
SERIAL #:	PURCHASE DATE:
<input type="text"/>	<input type="text"/>
PURCHASED FROM:	ADDRESS/CITY/STATE/ZIP:
<input type="text"/>	<input type="text"/>

Before using this equipment, make sure that the person using it has read and understands the instructions in this Owner's Manual.

⚠
WARNING
⚠

The engine exhaust from this product contains chemicals known to the State of California to cause cancer, birth defects or other reproductive harm



PRODUCT
REGISTRATION








Scan To
Activate Your
Warranty

Warranty.....	1-2
Table of Contents	3
Safety Precautions	4-10
Dust and Silica Warning	6
Machine Lifting Points	8
Electrical Safety	9-10
Specifications & Features.....	11-14
BBM307/BBM158 Items Included and Optional Accessories	12
BBM307 Depth Adjustment	13
BBM158 Depth Adjustment	13
Electrical.....	15-22
Extension Cord	16
Generator	16
BBM307 Electrical	17
BBM307 Wiring Diagram	17
BBM158 Electrical	18-19
BBM158 Wiring Diagram	19
General Electrical Trouble Shooting	20-22
BBM307 Trouble Shooting.....	21
BBM158 Trouble Shooting.....	22
Operation.....	23-27
Installing The Blade	23-24
Cutting Methods	24
Wet Cutting.....	26
Dry Cutting.....	27
Maintenance.....	28-34
Maintenance General	28-29
BBM307	30-33
Cleaning.....	30
Motor Brush Replacement	30-31
Blade Shaft Gear Grease.....	31
Air Filter.....	31-32
BBM158	32-34
Cleaning.....	32
Belts	32-33

Parts Breakdown	35-57
Conveyor Cart Assembly BBM307 and BBM158.....	36
Conveyor Cart Table BBM307 and BBM158	37
Conveyor Cart Tray Assembly BBM307 and BBM158	38
Frame and Dust/Water Collecting Pan BBM307 and BBM158	39
Cutting Table Guide Rails BBM307 and BBM158	40
Cutting Table Assembly BBM307 and BBM158	41
Electrical System BBM307	42
Carbon Brush, Air Intake, and Blade Shaft	43
Cutting Head BBM307	44-45
Motor Assembly BBM307	46
Blade Guard Assembly BBM307	47
Electrical System BBM158	48
Blade Shaft Assembly BBM158.....	49
Cutting Head Assembly BBM158	50-51
Belt Guard Assembly BBM158	52
Motor Assembly BBM158	53
Blade Guard Assembly BBM158	54
Optional Splash Guard Assembly BBM307 and BBM158.....	55-56
Option Accessories BBM307 and BBM158	57










Important warnings and pieces of advice are indicated on the machine with icons.

HAZARD ICONS

	<p>Fuel (gasoline) is extremely flammable, and its vapors can explode if ignited. Store gasoline only in approved containers, in well-ventilated, unoccupied approved areas, and away from sparks or flames. Do not fill the fuel tank while the engine is hot or running. Do not start the engine near spilled fuel. Never use the fuel as a cleaning agent</p>
	<p>Hot surface! Do not touch. Engine components can get extremely hot from operation. To prevent burns, do not touch the engine or related parts while the engine is running or immediately after it is turned off. Never operate the engine with any heat shields or guards removed.</p>
	<p>Keep all guards in place when operating any piece of equipment.</p>
	<p>Moving parts can crush and cut. Keep hands, feet, hair, and loose clothing away from all rotating parts.</p>
	<p>Lethal Exhaust Gas: use only in well ventilated areas. Engine exhaust gases contain poisonous carbon monoxide, which is odorless, colorless, and can cause death if inhaled. Avoid inhaling exhaust fumes, and never run the engine in a closed building or confined area.</p>
	<p>Never tamper with the governor components of settings to increase the maximum speed. Severe personal injury and damage to the engine or equipment can result if operated at speed above maximum. Always obey the maximum speed rating of blade.</p>
	<p>Warning alert symbol. DO NOT LIFT THE SAW BY THE HANDLEBARS OR CUTTING TABLE.</p>

Important warnings and pieces of advice are indicated on the machine with icons.

SAFETY ICONS

 Read operator's instructions.	 Read OSHA and ANSI B7.1. Visit the industry safety page: www.safety.UAMA.org
 Eye protection must be worn.	 Ear protection must be worn.
 Protect your lungs against dust.	 Hand protection must be worn.
 Rotation direction of the blade.	  Pump On Pump Off

DUST AND SILICA WARNING

Grinding/cutting/drilling of masonry, concrete, metal, and other materials can generate dust, mists and fumes containing chemicals known to cause serious or fatal injury or illness, such as respiratory disease, cancer, birth defects or other reproductive harm. If you are unfamiliar with the risks associated with the particular process and/or material being cut or the composition of the tool being used, review the material safety data sheet and/or consult your employer, the material manufacturer/supplier, governmental agencies such as OSHA and NIOSH and other sources on hazardous materials and make certain to comply with all product warnings and instructions for the safe and effective use of the material being cut. California and some other authorities, for instance, have published lists of substances known to cause cancer, reproductive toxicity, or other harmful effects.

Control dust, mist, and fumes at the source where possible. In this regard use good work practices and follow the recommendations of the manufacturer/supplier, OSHA/NIOSH, and occupational and trade associations. Water should be used for dust suppression when wet cutting is feasible. When the hazards from inhalation of dust, mists and fumes cannot be eliminated through engineering controls such as vacuum and/or water mist, the operator and any bystanders should always wear a respirator approved by NIOSH/MSHA for the material being cut.

CALIFORNIA PROPOSITION 65 MESSAGE

Some dust created by power sanding, sawing, grinding, drilling, and other construction activities contain chemicals known (to the State of California) to cause cancer, birth defects or other reproductive harm. Some examples of these chemicals are:

- Lead, from lead-based paints
- Crystalline silica, from bricks and cement and other masonry products
- Arsenic and chromium, from chemically treated lumber

For Addition Information Consult the Following Sources:

- <http://www.osha.gov/dsg/topics/silicacrystalline/index.html>
- <http://www.cdc.gov/niosh/consilic.html>
- <http://oehha.ca.gov/prop65/law/P65law72003.html>
- <http://www.dir.ca.gov/Title8/sub4.html>

Use Approved:



Eye Protection



Hearing Protection



**Respiratory
Protection**



Head Protection

WARNING:

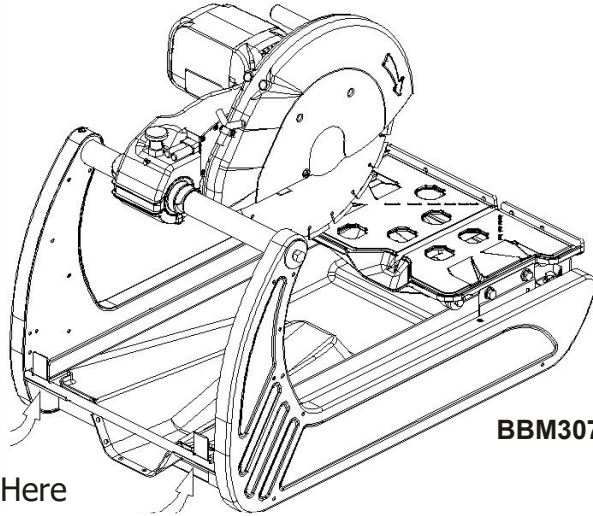
The engine exhaust from this product contains chemicals known to the State of California to cause cancer, birth defects or other reproductive harm

108934

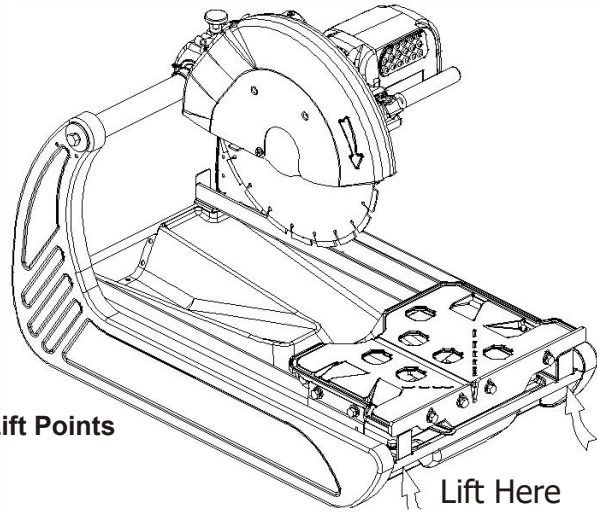
1. Before mounting any blade on the saw, the blade should be inspected for any damage which might have occurred during shipment, handling, or previous use.
2. The blade collars and arbors should be cleaned and examined for damage before mounting the blade.
3. The blade must be properly fitted over the arbor with the relief side of the collars facing the blade.
4. The blade shaft nut must be tightened securely against the outside blade shaft collar.
5. The blade must be operated within the specified maximum operating speed listed on the blade.
6. Fill the water pan with water.
7. The blade guard must be in place with the nose guard down and locked when the saw is running.
8. The operator should wear safety glasses and any other appropriate safety equipment.
9. When starting the saw, the operator should stand away and to the side of the blade.
10. If for any reason the saw should stall in the cut, remove the material from the blade. Check the outside blade shaft collar and nut for tightness. Inspect the blade for damage before restarting the saw. Use caution when resuming a cut. Be certain that the blade is in alignment with the previous cut.
11. Do not force the blade into the cut by pushing the material into the blade too fast.



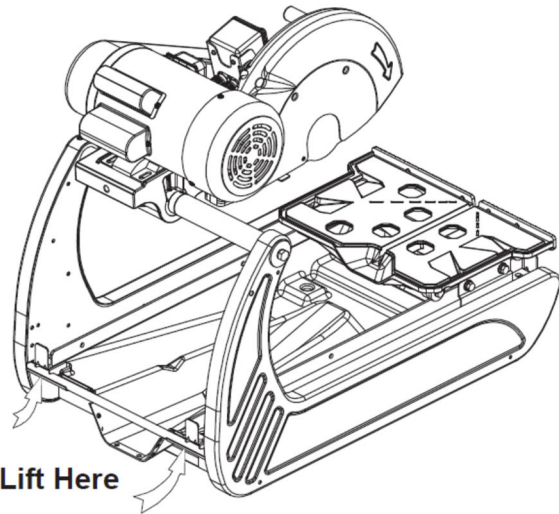
You Are Responsible For Your Safety!!!



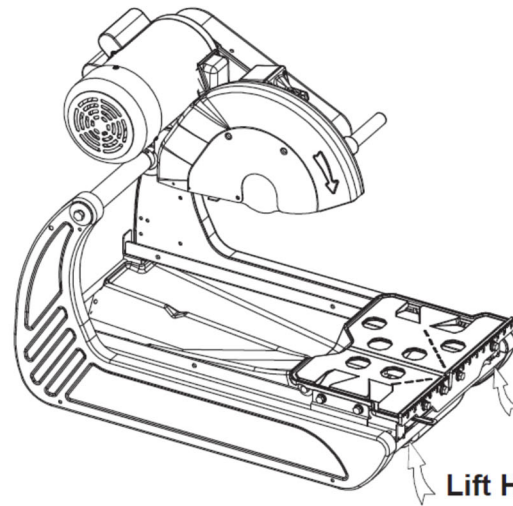
BBM307 Lift Points



Lift Here



Lift Here



Lift Here

BBM158 Lift Points

1. Before mounting any blade on the saw, the blade should be inspected for any damage which might have occurred during shipment, handling, or previous use.
2. The blade collars and arbors should be cleaned and examined for damage before mounting the blade.
3. The blade must be properly fitted over the arbor.
4. The blade shaft nut, which is a left-hand thread nut, must be tightened securely against the outside blade shaft collar.
5. The blade must be operated within the specified maximum operating speed listed on the blade.
6. If wet cutting submerges the water pump in clean water and open the water control valve to provide adequate coolant (4 to 6 gallons per minute). Insufficient coolant could result in severe blade breakage or diamond segment separation.
7. The blade guard must be in place with the blade collar guard closed when the saw is running.
8. The operator should wear approved eye, hearing, respiratory, and head protection.
9. When starting the saw, the operator should stand away and to the side of the blade.

10. If for any reason the saw should stall in the cut, raise the blade out of the cut and switch the power off. Check outside blade shaft collar and nut for tightness. Inspect the blade for damage. Before restarting the saw. Use caution when resuming a cut. Be certain that the blade is in alignment with the previous cut.
11. During cutting operations, do not exert excess side pressure on the material as a method of guiding. Do not force the blade into the cut by lowering the blade too fast or by pushing the cutting table too fast.



Read all safety warnings and all instructions. Failure to follow the warnings and instructions may result in electric shock, fire and/or severe injury.

Electrical Safety

Disconnect tool from the power supply while the motor is being mounted, connected, or reconnected.

Electrical Safety

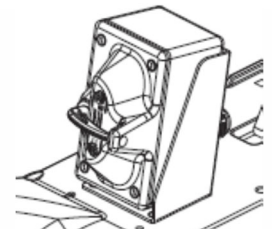
Lockout/Tagout refers to the complete isolation of equipment during maintenance or service work. OSHA regulations 29 CFR 1910.147 and 1926.416 require the use of locks or tags as warning devices to ensure personnel are not injured from accidental machine start-ups. The BBM Block Buster Mini Masonry saw is equipped with special designed switch cover that turns the power off when closed and can be locked in the off position. The locking of the switch and disconnection the power supply will isolate the machine during maintenance, service, and when the machine is unattended.

To lockout the power switch:

1. Turn the machine off and close the switch cover.
2. Disconnect the power supply
3. Attach a small pad lock (key type) as shown in the photo to the left.
4. Lock and remove the key from the padlock.
5. Tag the machine as per local, OSHA, and your company's requirements.



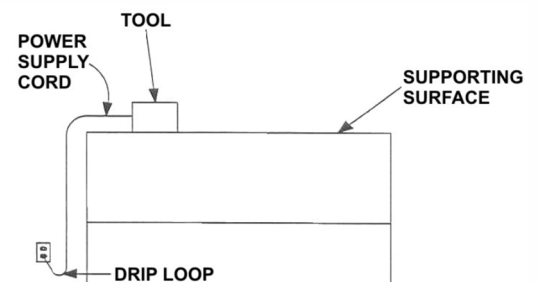
BBM307 Lock Out



BBM158 Lock Out

Position of Saw

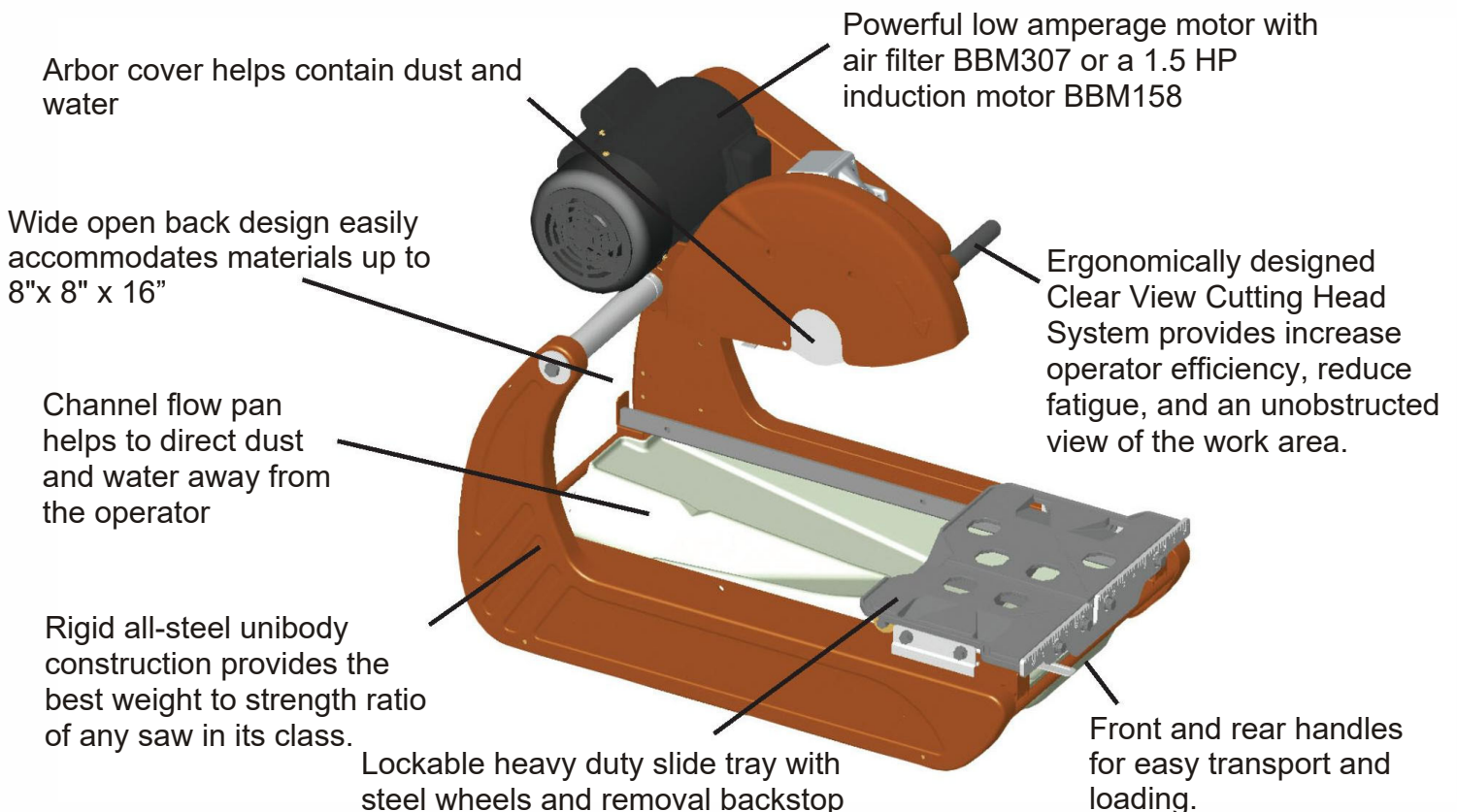
1. To avoid the possibility of the receptacle getting wet, position the saw on one side of a wall mounted receptacle to prevent water from dripping onto the receptacle or plug. The user should arrange a "Drip Loop" in the cord connecting the saw to a receptacle. The "Drip Loop" is that part of the cord below the level of the receptacle, or the connector if an extension cord is used, to prevent water traveling along the cord and coming in contact with the receptacle.
2. If the plug or receptacle does get wet, DON'T unplug the cord. Disconnect the fuse or circuit breaker that supplies power to the tool. Then unplug and examine the plug for the presence of water in the receptacle.



Extension Cords

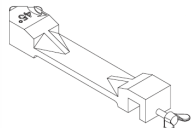
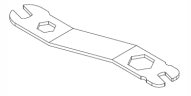


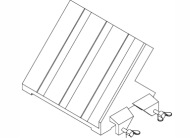
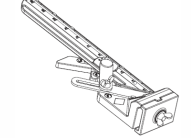


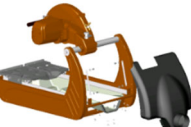
1. Use only outdoor rated extension cords. These extension cords are identified by a marking “Acceptable for use with outdoor appliances; store indoor while not used.” Use only extension cords having an electrical rating not less than the rating of the product, see page 12 for extension cord specifications. Do not use damaged extension cords. Examine extension cord before using and replace if damaged. Do not abuse extension cords and do not jerk on any cord to disconnect. Keep the cord away from heat and sharp edges. Always disconnect the extension cord from the receptacle before disconnecting the saw from the extension cord.
2. **WARNING:** To reduce the risk of electrocution, keep all connections dry and off the ground. Do not touch the plug with wet hand
3. Ground Fault Interrupter (GFCI) protection should be provided in the circuit(s) or outlet(s) to be used for the saw. Receptacles are available that have built in GFCI protection and may be used for additional measures of safety. GFCI must be at the power supply, never use a GCFI at the end of an extension cord.

	BBM307	BBM158
Horsepower	3 HP (2,238 kW) Peak	2 HP (1.5kW) Peak
Volts	115 - volts	115 - volts
Full Load Amps	10A	15A
Hertz	60 Hz	60 Hz
Motor Type	Carbon Brush	Induction Motor
Bearing Type	Thermal Protected (Requires filter replacement)	Heavy Duty Sealed (Reduced on Maintenance)
Blade Shaft Speed	3,600 rpm	3,600 rpm
Max Blade size	14 (356mm)	14 (356mm)
Arbor size	1 (25.4mm)	1 (25.4mm)
Max Depth cut	5 (127mm)	5 (127mm)
Cutting Length	10-7/16 (265 mm)	10-7/16 (265 mm)
Max material size	8 x 8 x 16 (203 x 203 x 406)	8 x 8 x 16 (203 x 203 x 406)
Dimensions Lx W x H (mm)	31-1/2 x 18 -1/2 x 30 (800 x 470 x 762)	31-1/2 x 24 x 27 (800 x 607 x 684)
Weight Uncreated	75 lbs. (34.1kg) Approx.	123 lbs. (55.9 kg) Approx.



The compact BBMxxx Masonry saws are shipped completely assembled and ready for use except for the diamond blade. Inspect the saw for shipping damage. If any damage is found, contact the shipper immediately and file a freight claim. The Norton Clipper is not responsible for any freight related damages. Remove the saw from the shipping container.

BBM307/BBM158 Items Included and Optional Accessories

UPC	Description	307	158	Type	Image
70184682710	RIP GUIDE45/90 CTC/YTM7	1	1	S	
70184680905	WRENCH UNIVERSAL YTM1015	1	1	S	
70184600784	AIR FILTER BBM307	1	n/a	S	
Optional Accessories:					
70184600691	STAND BBM/YBM	OPT	OPT	S	
70184600704	WET KIT (Recirculating Water Pump System)	OPT	OPT	S	
70184680897	MITER BLOCK (For Miter Cutting Includes Mounting Hardware)	OPT	OPT	S	
70184680907	GUIDE ADJUSTABLE ANGLE GUIDE (Includes Mounting Hardware)	OPT	OPT	S	
70184633009	GFCI PLUG NEMA 5-15P x NEMA 5-15R (Connect to Power Supply then attach machine or extension cord to GFCI for additional operator protection)	OPT	OPT	S	
70184602862	VAC ATTACHMENT SYSTEM BBM307 (Allows attachment of HEPA Vacuum to BBM for Dust Control)	OPT	OPT	S	
70184600753	BACK SPLASH & ADAPTER (Large Splash Guard with Adapter for Shop Vac. Machine not included)	OPT	OPT	S	

N/A = Not Applicable; OPT = Optional Accessory; S = Service Replacement Part. Order by UPC number.

Cutting Depth Pin Lock

The BBM307 and BBM158 Blockbuster Mini Masonry saw are designed with the feature to easily adjust the cutting depth.

BBM307 Depth Adjustment:

The BBM307 has three different cutting heights for jam cutting, a moving head for chop (or plunge cutting), and a moving cart combined with the moving head for step cutting to help make any cutting task easier.

Before adjusting the cutting height always disconnect the electrical power supply. To adjust the

BBM307's fixed cutting position, pull up on the Angle Lock Pin (see **Figure 1-1: Angle Lock Pin**), move the head to the new position, release the Angle Lock Pin, and rotate the cutting head up/down until the Angle Lock Pin locks into position (lowest position for cutting thru bricks, the middle position for cutting medium size material, and the upper position is for cutting block.) (see **Figure 1-2: Angle Locking Position**).

Head Position	Application
Fixed Lowest	Jam Cutting Bricks
Fixed Middle	Jam Cutting Medium Size Bricks
Fixed Upper	Jam Cutting Block
Pivoting	Chop or Plunge Cutting
Pivoting Head with Moving Table	Step Cutting

To operate the BBM307 Blockbuster Mini as a chop or plunge saw: pull up on the Angle Lock Pin, rotate 90 degrees, and release. Now the cutting head can be rotated by pulling up or pushing down on the cutting head handle. When not in use, always lock the head into one of the three cutting height positions.

BBM158 Depth Adjustment:

The BBM158 has an infinitely adjustable cutting depth which allows cutting any masonry-based product to a depth of 5". This allows the operator to perform any type of cut from scoring to full depth. To Adjust the depth of cut, disconnect the power source from the machine, loosen the Depth Control Cutting Knob (see **Figure 1-3: BBM Depth Control Knob**), and move the cutting head to the required depth of cut. After adjusting the blade to the required depth of cut tighten the Depth Control Cutting Knob.

Do not install the blade until it is time to use the saw!

This machine is designed for the use with steel center diamond blades

Lock the cutting head in place before transporting the BBM158

ANSI regulations prohibit the transportation of any concrete saw with the blade installed!

Do not lift the saw by the cutting head. This may result in injury or damage to the machine.

BBM307

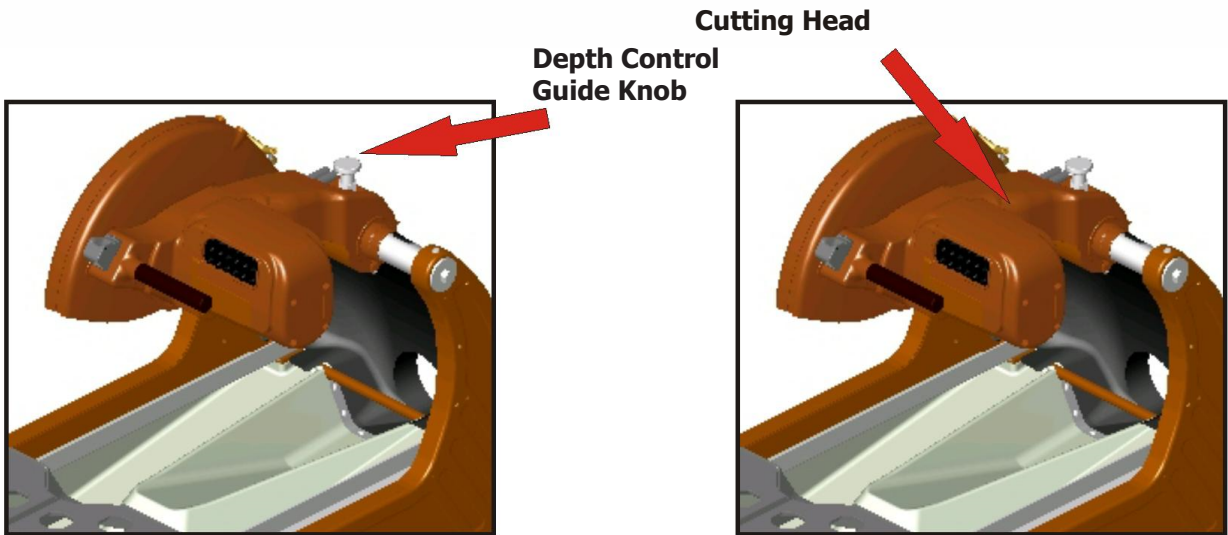


Figure 1-1: Angle Lock Pin

Figure 1-2: Angle Locking Position

BBM158

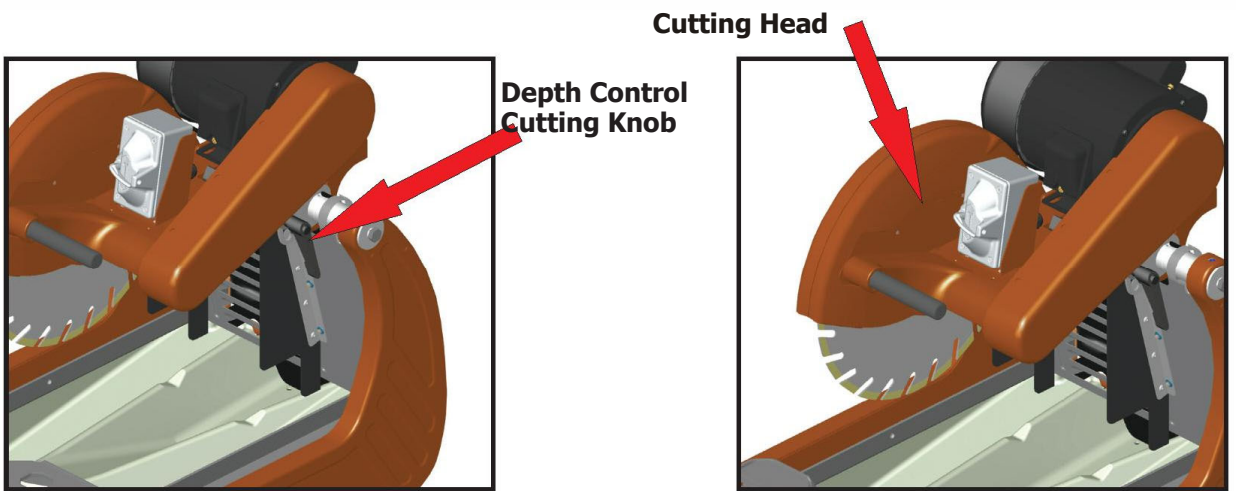

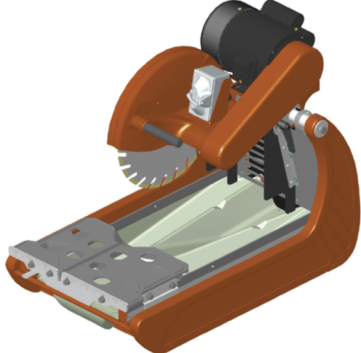


Figure 1-3: BBM158 Depth Control Knob

Figure 1-4: BBM158 Cutting Head

BBM307 and BBM158 Electric Motor

	BBM307	BBM158
		
Voltage	115v	115/230v
Cycles	60 Hz	60 Hz
Amperage	15A	15/7.5 A
Horsepower	3 HP (2,238 W) Peak	2.0 HP (1,490 W) Peak
Motor Type	Brush	Induction



Important-Before connecting the motor leads to the power supply be sure that the voltage, cycles and phase shown on the nameplate of the motor correspond to the available power supply.

Power Supply

The BBM307 Blockbuster Mini Masonry Saw can only be connected to 115-volt 60 Hz 1 Phase electrical supply with a minimum of a 15-amp circuit for best performance use a 20-amp circuit.

The BBM158 can be used on a 115-volt 60 Hz 1 Phase circuit with a 20-amp breaker, for best performance use a 30-amp breaker. The BBM158 can also be used on a 230-volt 60 Hz 1 Phase electrical supply with a 20-amp breaker, for best performance use a 30-amp breaker.



For safety and security concerns the operator should lockout the power switch when the machine is not in use. Verify the model number of the machine and select the correct wiring diagram before performing any maintenance or service.



Failure to run the motor on the proper voltage will damage the motor and is not covered under warranty. Improperly wired motors are not covered under warranty.

Extension Cords:

Most motor trouble is the result of too small gauge or too long of extension cord. **Cords must be one piece and as short as possible.** Cords should be no longer than shown on Table 2: Extension Cord Maximum Length Chart. Norton Construction Products is not responsible for damage to motors due to the use of extension cords that long.

Table 2. Extension Cord Maximum Length Chart

Wire Gauge	BBM307 – 115v BBM158 – 115v	BBM158 – 230v Only
12 AWG	25' (7.6m)	100' (30.4m)
10 AWG	50' (15.2m)	150' (45.7m)
8 AWG	75' (22.8 m)	250' (76.2 m)

are too small or too



For safety and security concerns the operator should lockout the power switch when the machine is not in use. Verify the model number of the machine and select the correct wiring diagram before performing any maintenance or service.

Ground Fault Circuit Interrupt (GFCI)

The BBM307 and BBM158 do not include a Ground Fault Circuit Interrupt (GFCI) device. If a GFCI is required, please order the following from your Norton Clipper distributor. The 70184633009 GFCI is designed to attach to the BBM's power in cord and the power supply, if using an extension cord always connect the GFCI to the power source, then attach the extension cord (see Extension Cord section of this manual for details on the cord set), and then attach the BBM to the Extension cord. **DO NOT** place the GFCI between the Extension Cord and the machine as it will trip a GFCI.

UPC	Description	QTY
70184633009	GFCI PLUG NEMA 5-15P x NEMA 5-15R	1

Generator:

Using the machine with a generator that is less than the recommend output can result in motor damage and is not covered under warranty. Only use with a generator that is capable of continuous put of 4,000 w (4kW) at 20 amps or greater.

Wiring Diagram:

The BBM307 and BBM158 use different wiring diagrams and electrical systems due to the different electrical motors the machines have. Be sure to reference the correct wiring diagram for your machine. See the Machine specific sections under the BBM307 ELECTRICAL and BBM158 ELECTRICAL for details.

BBM307 Electric Motor

Motor Specifications:
 Voltage: 115-volt
 Cycles: 60Hz
 Amperage: 15Amp
 Horsepower: 3HP Peak
 Watts: 2,238 watts

Table 2. Extension Cord Chart	
Wire Gauge	115V Max Length
12 AWG	25' (7.6 m)
10 AWG	50' (15.2 m)
8 AWG	75' (22.8 m)

Extension Cords:

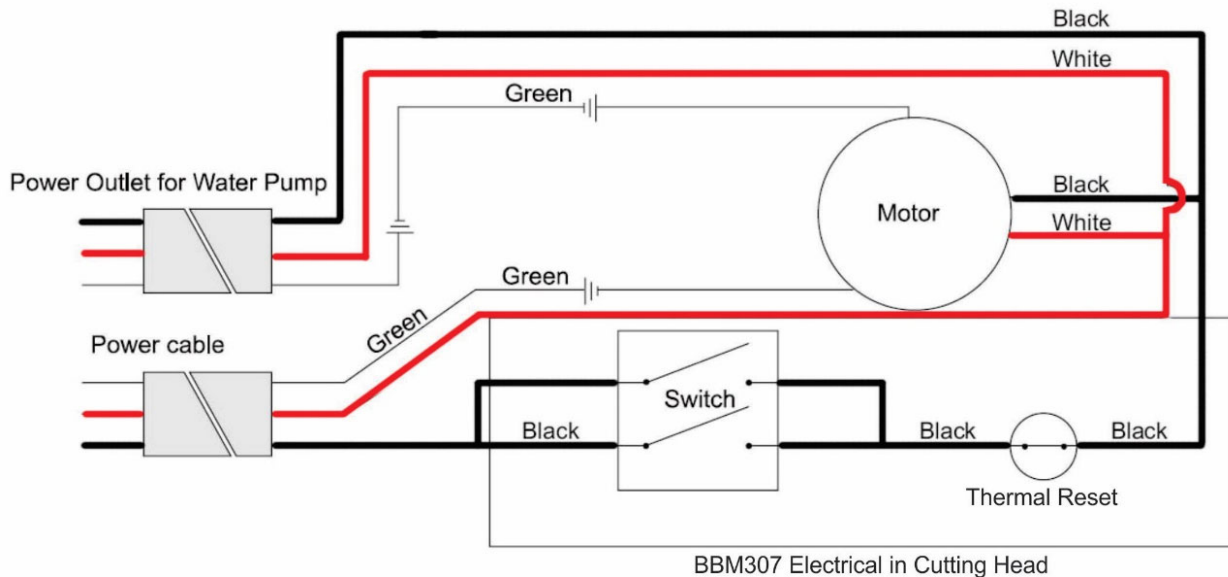
Most motor trouble is the result of too small gauge or too long of extension cord. **Cords must be one piece and as short as possible.** Cords should be no longer than shown on Table 2: Extension Cord Maximum Length Chart (see above). Norton Construction Products is not responsible for damage to motors due to the use of extension cords that are too small or too long.

Generator:

Using the machine with a generator that is less than the recommend output can result in motor damage and is not covered under warranty. Only use with a generator that is capable of continuous put of 4,000 w (4kW) at 20 amps or greater.

Wiring Diagram:

The BBM307 and BBM158 use different wiring diagrams and electrical systems due to the different electrical motors the machines have. Be sure to reference the correct wiring diagram for your machine.



BBM307 Wiring Diagram

BBM158 Electric Motor

Motor Specifications:
 Voltage: 115/230 volt
 Cycles: 60Hz
 Amperage: 15/7.5 Amp
 Horsepower: 1.5 HP Peak
 Watts: 1,490 kW

Table 3. Extension Cord Chart		
Wire Gauge	115V Max Length	230v Max Length
12 AWG	25' (7.6 m)	100' (30.4 m)
10 AWG	50' (15.2 m)	150' (45.7 m)
8 AWG	75' (22.8 m)	250' (76.2 m)

Extension Cords:

Most motor trouble is the result of too small gauge or too long of extension cord. **Cords must be one piece and as short as possible.** Cords should be no longer than shown on Table 3: Extension Cord Maximum Length Chart (see above). Norton Construction Products is not responsible for damage to motors due to the use of extension cords that are too small or too long.

Electrical Supply:

The BBM158 can be used on a 115-volt 60 Hz 1 Phase circuit with a 20-amp breaker, for best performance use a 30-amp breaker. The BBM158 can also be used on a 230-volt 60 Hz 1 Phase electrical supply with a 20-amp breaker, for best performance use a 30-amp breaker.

Before connecting the BBM158 to the electrical supply, make sure the voltage selected on the saw (see Figure: BB158 Dual Voltage Switch) matches the voltage of the electrical supply. Failure to do so may result in motor damage and is not covered under any warranty.

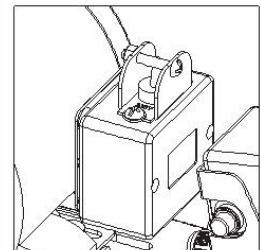


Figure 1: BBM158 Dual Voltage Switch

Generator:

Using the machine with a generator that is less than the recommend output can result in motor damage and is not covered under warranty. Only use with a generator that is capable of continuous put of 4,000 w (4kW) at 20 amps or greater.

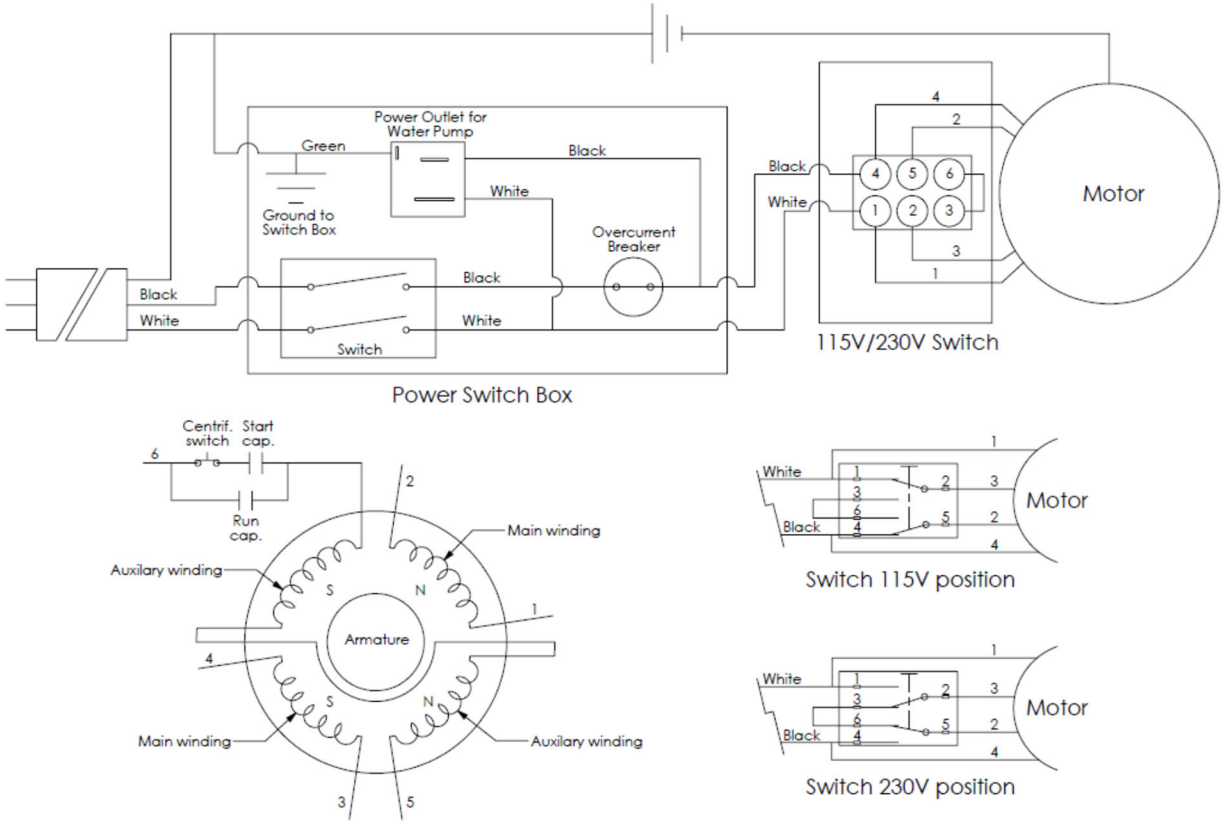
Dual Voltage Switch:

Always turn off the machine before setting the dual voltage switch. Failure to do so will damage the motor. To change the voltage: Remove the screw, select the desired voltage, and replace the screw to prevent the switch from being toggled accidentally.

For safety and security concerns the operator should lockout the power switch when the machine is not in use.


Wiring Diagram:

The BBM307 and BBM158 use different wiring diagrams and electrical systems due to the different electrical motors the machines have. Be sure to reference the correct wiring diagram for your machine.



BBM158 Wiring Diagram

Circuit Breaker During Start Up or Not Cutting:

- Verify that the power supply voltage matches the motor name plate voltage
 - 
 Failure to run the motor on the proper voltage will damage the motor and is not covered under warranty. Improperly wired motors are not covered under warranty.
 - Verify that the circuit breaker is correct for the machine and voltage being used
 - BBM307 Recommend using a 20A Circuit for best performance
 - BBM158 when used on 115v recommend using a 30A Circuit for best performance
 - BBM158 when used on 230v recommend using a 20A Circuit for best performance
 - Verify that the Extension Cord meets the requirements on See: **Extension Cords** page 15
 - Have a qualified Electrician verify that the Electrical Connections are correctly made.
 - If using a generator, verify that it meets the minimum requirements See: **Generators** on page 15
 - Remove the extension cord from the machine and connect the machine directly to the power supply, if the problem disappears the issue is low voltage due to the extension cord being too thin of gauge, too long, spliced together, or a combination of all.
 - Change power source if the problem disappears the issue is with the original power source (Low voltage, low amperage breaker, or damage breaker)
- Most motor issues are due to low voltage, under rated circuit breakers, and or extension cord issues.

Circuit Breaker Trips while cutting: - This is an issue with the Blade or Cutting Method being used.

- Verify that the Blade Being used is correct for the material being cut
- Verify that the Blade is properly exposed
- Verify that the Blade is installed properly
- Verify the cutting method. Forcing the Blade into the material is a sign that either the Blade is **NOT** correct for the material being cut or an inexperienced operator. Let the Blade and Machine work for you do not work for the Blade and Machine.
- If cutting hard materials do not use General purpose blades. General purpose blades are designed to cut multiple soft to medium hardness materials and will not preform properly when cutting harder bricks, pavers, or other building materials. In correct blade usage is the number one root cause for motor issues. If you need assistance choosing the correct blade for the material being cut, contact customer service at 1-800-554-8003.

Overload Protector (Thermal) Trips – This is a sign of Low Voltage, Incorrect Blade for Material being cut, or forcing the Blade through the material.

- Verify Voltage at the machine!
- Verify that the Extension Cord meets the requirements on See: **Power Supply** page 14
- Verify the cutting method. Forcing the Blade into the material is a sign that either the Blade is **NOT** correct for the material being cut or an inexperienced operator. Let the Blade and Machine work for you do not work for the Blade and Machine.
- If the Overload Protector trips immediately when the unit is turned on this is a sign of extremely low voltage or damage Overload Protector.
- Clean Motor by blowing out the fan cover with compressed air
- Check the Motor for a damaged fan (BBM158)
- To reset the Overload Protector (Thermal) let the motor cool down for 5 to 10 minutes and then press the Thermal Overload Protector to reset. The Thermal Overload Protector will not reset unit the unit has fully cooled.

BBM307 Motor Troubleshooting

1. Verify voltage to the motor 115v/60 Hz/1 Phase
2. Verify extension cord See: **Extension Cords** page 15
3. What is the motor doing when switch is turned on (nothing, humming, tries to turn on but shuts off, tripping of circuit breaker) It could be a dirty air filter, a faulty start, or a tripped/damage power supply circuit breaker.

Nothing happens when the power switch is turned on:

- a) No power
- b) Tripped Circuit Breaker
- c) Tripped Overload Protector on machine (see: **Overload Protector (Thermal) Tips** page 15.

Humming or strange noises from motor or gear box:

- a) Damage motor or gear box. Most damages are from not using air filters, or not cleaning and replacing dirty air filters
- b) Water in the motor

Tries to turn on but shuts off:

- a) Power supply Circuit Breaker verify if correct see **Power Supply** page 14
- b) Too long or thin extension cord see **Extension Cords** page 15
- c) Overload Protector (Thermal) issues see **Overload Protector (Thermal) Tips** page 17.
- d) Low voltage at the machine see **Power Supply** page 14

Tripping of Circuit Breaker:

- a) If tripping while starting machine
Circuit Breaker issue: weak, damage, to low amperage
- b) If tripping while cutting any material:
Incorrect blade for the material being cut.

5. What are you cutting?
6. Wet/dry?
If cutting dry give the blade a chance to cool off and breath. The heat will build up and can affect the performance of the motor as the blade lose tension.
7. What blade is being used?
Use the correct blade for the material being cut.
9. What cutting method is being used. Change cutting methods.
9. May need to go to [Authorized Service Center](#) to diagnose and repair.

The BBM307 motor uses an air filter. Failure to clean or replace the air filter will result in internal damage to the motor and is not covered under any warranty. NEVER use the BBM307 without the air filter and never use a wet air filter in the BBM307.

BBM158 NO AIR FILERT REPLACEMENT REQUIRED ON BBM158 MODEL.

BBM158 Motor Troubleshooting

1. Verify voltage to the motor 115v/60 Hz/1 Phase or 230v/60 Hz 1 Phase
 - a. Verify that the voltage change switch on the motor matches the power supply voltage see **Voltage Change Switch** page 17.
2. Verify extension cord See: **Extension Cords** page 15
3. What is the motor doing when switch is turned on (nothing, humming, tries to turn on but shuts off) It could be a dirty air filter, a faulty start, or a tripped/damage power supply circuit breaker.

Nothing happens when the power switch is turned on:

- d) No power
- e) Tripped Circuit Breaker
- f) Tripped Overload Protector on machine (see: **Overload Protector (Thermal) Tips** page 15.

Humming or strange noises from motor or gear box:

- c) Damage motor or gear box. Most damages are from not using air filters, or not cleaning and replacing dirty air filters
- d) Water in the motor
- e) Dust builds up around motor's internal Centrifugal Switch. Use compressed air to blow around and behind the motor's fan, it may be required to remove the fan cover – replace the fan cover if removed.

Tries to turn on but shuts off:

- e) Power supply Circuit Breaker verify if correct see **Power Supply** page 14
- f) Too long or thin extension cord see **Extension Cords** page 15
- g) Overload Protector (Thermal) issues see **Overload Protector (Thermal) Tips** page 17.
- h) Low voltage at the machine sees **Power Supply** page 15

Tripping of Circuit Breaker:

- c) If tripping while starting machine
Circuit Breaker issue: weak, damage, to low amperage
- d) If tripping while cutting any material:
Incorrect blade for the material being cut.

Motors that are slow to come up to speed is a sign of low voltage: check the voltage at the machine, verify that the voltage change switch matches the power supply, verify the length, and gauge of the extension cord.

If the motor makes a loud noise and runs hot this is a sign that the unit is connected to 230v while the voltage change switch is set to 115v.

5. What are you cutting?
6. Wet/dry?
If cutting dry give the blade a chance to cool off and breath. The heat will build up and can affect the performance of the motor as the blade lose tension.
7. What blade is being used?
Use the correct blade for the material being cut.
9. What cutting method is being used. Change cutting methods.
9. May need to go to [Authorized Service Center](#) to diagnose and repair.
to diagnose and repair.

Installing the Blade

The Blade installation for the BBM307 and BBM158 are the same. Please note that the Blade Shaft Bolt is a left-handed thread.

1. Verify that the power switch is in the OFF position
2. Disconnect the machine from any power supply
3. Use the wrench supplied with the BBM to install or remove the Blade Shaft Bolt
 - a. Rotate the Blade Shaft Bolt Cock-Wise to remove the bolt. **NOTE:** The Blade Shaft Bolt is a Left-handed thread



Blade Shaft Nut Installation/Removal



Blade Shaft Bolt Removal

4. Remove the outer Blade Collar and inspect for nicks, burrs, and proper fit to the blade shaft spindle.

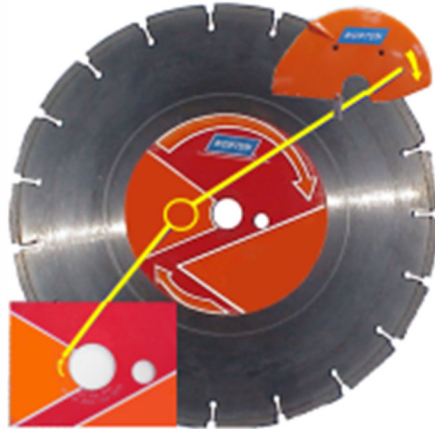


Blade Collar Removal



Blade Shaft Collar and Blade Shaft Bolt

5. Locate the directional arrow on the diamond blade. Then making certain that the directional arrow on the blade and the directional arrow on the guard point in the same direction mount the diamond blade on the spindle and firmly against the inside collar.



Blade Shaft Directional Airls and Blade Guard Rotational Direction

6. Mount the outside collar on the spindle so that the diamond blade is securely positioned between both collars. Then, with the washer positioned on the screw, insert the blade shaft screw into the end of the blade shaft and turn counterclockwise to secure the blade between the two collars. When correctly mounted the blade is secure between the collars and the blade shaft rotates freely. **NOTE:** The Blade Collar has a flat that aligns with the flats machined into the Blade Shaft. If the blade collars are not flat and flush to the blade this is a sign that: the blade collars are installed incorrectly, the blade is not centered on the blade shaft, arbor hole of the blade is larger than 1", inner blade collar is not pushed all the way on the blade shaft, or the flats on the blade collar is not aligned with the flats on the blade shaft.

NOTE: The blade shaft nut is left-handed threaded, over tightening in the incorrect direction can break the bolt. Turn clockwise (loosen) to remove and counterclockwise to install (tighten).

Cutting Methods

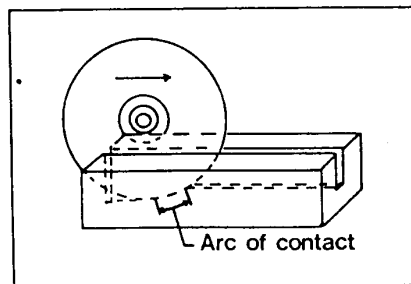
The BBM307 and BBM158 are designed for usage with Diamond Steel Centered Blades specifically formulated for cutting of Masonry Products. Only use the BBM307 or BBM158 to cut Masonry Products, Pavers, Wall Stone, Natural Stone, Core Samples, or Tiles (use a continuous rim Diamond Blade for tile). **DO NOT** use the BBM307 or BBM158 with abrasive blades. The BBM307 and BBM158 can be used in Step Cutting, Plunge, or Jam Cutting as outlined in the following sections. See **BBM307 Depth Adjustment** and **BBM158 Depth Adjustment** on page 13 for details on how to adjust the cutting depth (cutting head position). Step Cutting provides the fastest cuts and longest blade life

Step Cutting

Use "step cutting" without exception when cutting wet or dry with diamond blades. With Step Cutting the cutting head of the machine can move up and down and the material is feed into the blade my moving the conveyor cart forward and back into the blade.

1. Clamp and hold material firmly against the backstop on conveyor cart. Be certain the material does not slip or rock during cutting operation, as this can bind blade, causing excessive wear and fracture.

2. Move the conveyor cart near the blade and pull down on the head until the blade is lowered to a point where it will lightly contact the top of the material. Then start "step cutting" - which means passing the material beneath the blade with rapid, (50 to 60 strokes per minute) full length strokes, taking a shallow cut (approximately 1/8" deep) on the forward, and also on the backward stroke. Complete each rapid stroke backward and forward, by passing the material beyond the center of the blade before starting the reverse movement of the cart. The harder the material, the more rapid the forward and backward strokes. When Step Cutting the cutting head of the BBM is free to move up and down.
3. "Step cutting" as can be seen in the sketch below, lessens the area of the blade circumference in contact with the material, keeping the blade cool, running free, and cutting at peak efficiency. Don't get the impression "step" cutting means slow cutting - actually it is 6 times faster than trying to "force" the cut by strong-arming the material through the blade. Forcing the blade through with a deep cut causes a longer area of the blade circumference to be in contact with the material, causing excessive friction heat to be generated, which then causes the blade to "smear" or "load" with fused material particles and lose its sharp cutting surface. *(Note: If improper operation should cause an abrasive blade to "smear", make several cuts through a soft brick to "dress" the blade back to good cutting performance.)*



Plunge Cutting

With Plunge Cutting the cutting head of the machine can move up and down and the conveyor cart is locked in place so that material position cannot move. Jam Cutting is also known as Chop Sawing.

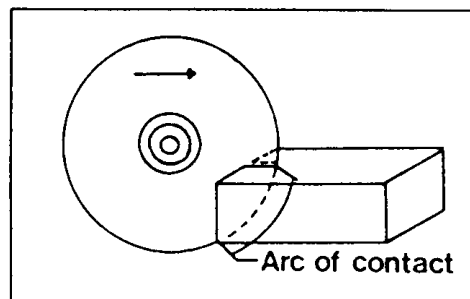
1. Position the Conveyor Cart under the Diamond Blade and lock it into place with the Conveyor Cart Position Lock.
2. Clamp and hold material firmly against the backstop on conveyor cart. Be certain the material does not slip or rock during cutting operation, as this can bind blade, causing excessive wear and fracture.
3. Ensure that the Cutting Head of the machine is free to move up and down. See **BBM307 Depth Adjustment** and **BBM158 Depth Adjustment** on page 13 for details.
4. Turn the machine on and slowly lower the blade until the blade cuts completely thru the material.
5. When the Diamond Blade has passed thru the material slowly raise the cutting head until the blade had cleared the material.
6. Turn the machine OFF.
7. Remove the material when the blade stops rotating.

Jam Cutting

In "Jam" cutting the head is locked in a fixed position and the material is pushed into it as shown in the sketch at the bottom. "Jam" cutting with the head locked in a fixed position usually provides greater efficiency.

1. To lock the head into position, tighten the lever nut at the back of the saw. See **BBM307 Depth Adjustment** and **BBM158 Depth Adjustment** on page 13 for details
2. "Step" cutting with diamond blades is done by applying more pressure to the blade. Unlike "step" cutting with abrasive blades, "step" cutting with diamond blades requires only a few passes through the material.
3. In cutting, clamp the material securely and hold it firmly against the conveyor cart backstop. If the material is allowed to slip, resulting seizure of the blade may bend the diamond blade steel center or cause a ring section to be twisted off.
4. Do not force the material or bump into the blade. When nearing completion of the cut, retard and slightly hold back the conveyor cart. If this is not done, the material may be pulled into the blade so fast that excessive pressure on the rim may cause warping or twisting of the rim section.
5. When a new diamond blade is broken in, make the first few cuts slowly until the blade cuts freely and easily.
6. When the blade is cutting freely and easily. Use it! If it cuts satisfactorily do not dress the diamond blade or remove it from the blade shaft.
7. After continuous cutting of extremely hard and dense materials, the blade may slow down and it may be necessary to "dress" the cutting edge. To do this:
 - a. Use a rapid "step" cutting method for a few cuts - push the material back and forth under the blade while it is cutting down. If this is not sufficient:
 - b. Make one or two cuts in a soft brick or light weight block.

However, "dressing" should be done as seldom as possible - because too much "dressing" reduces blade life.



Wet Cutting

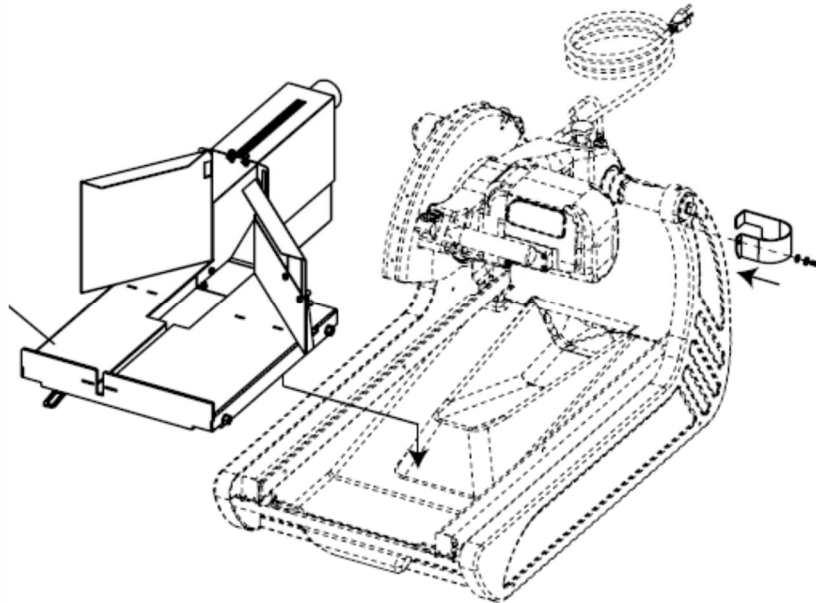
The BBM307 and BBM158 has a built-in water supply that is designed to be connected to a standard 3/4" Garden hose and water flow control valve. Attach the BBM307 or BBM158 to any standard 3/4" Garden Hose, turn the water supply to full flow, and adjust the water flow over the blade with the water flow control valve. Proper water flow is achieved when the slurry is the consistency of a watery milk shake. If dust control only is needed, adjust the water flow so that the dust is suppressed.

Dry Cutting

If dry cutting is required follow all local, state and OSHA regulations on Silica Dust Control. Use proper PPE within accordance to OSHA regulations. Cutting dry exposes the operator to Silica Dust see **DUST AND SILICA WARNING** on page 5 for details.

The BBM307 and BBM158 can be installed with the Optional Vacuum Attachment conveyor cart (cutting table) which allows the BBM307 or BBM158 to be used with any OSHA approved HEPA vacuum. Please follow all OSHA regulations when not wet cutting.

The BBM optional Vacuum Table replaces the existing conveyor cart and operates the same way as the standard conveyor cart but adds adjustable side deflectors and vacuum hood to direct dust towards the standard 2" (50mm) vacuum port. It is recommended to use a 250 CFM or larger OSHA approved vacuum with a 2" (50mm) inlet.



UPC	Description	NOTES
70184602862	VAC ATTACHMENT SYSTEM BBM307	Allows Vacuum to Be Used With BBM307/BBM158. Includes: Cutting Table with Dust Shields and Vacuum Port

Conveyor Cart (Cutting Table) Assembly

The BBM307 Conveyor Cart Assembly is specially designed with the following unique features:

- Dust extraction. The rear of the Conveyor Cart is designed to help extract dust out of the back of the machine when dry cutting.
- Four heavy duty rolling wheels with bearings, roll smooth and provide for a long life.
- Conveyor Cart mounting bracket helps to prevent the Conveyor Cart from falling off the machine during use or transportation.
- Conveyor Cart locking pin, locks the cart so it will not move.

Conveyor Cart Locking Pin:

To lock the Conveyor Cart into position when transporting the machine, roll the Conveyor Cart to the forward most position (see **Figure: Conveyor Cart Assembly**). Then push the lever down and towards the rail until the Conveyor Cart Locking Pin Engages. The Conveyor Cart may need to be moved forwards or backwards slightly during this process.

To unlock the Conveyor Cart, reverse the above procedure.

To remove the Conveyor Cart from the machine:

2. Remove the hardware that attaches the Conveyor Cart Mounting Brackets (see **Figure: Conveyor Cart Removal**).
3. Lift the Conveyor Cart off of the rails.

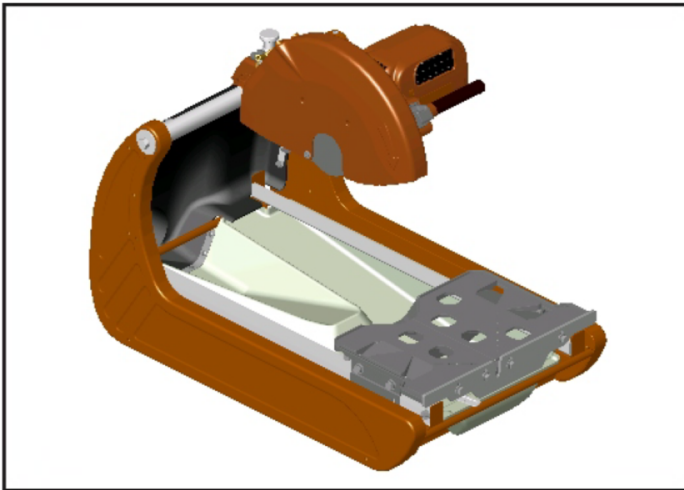


Figure: Conveyor Cart Assembly

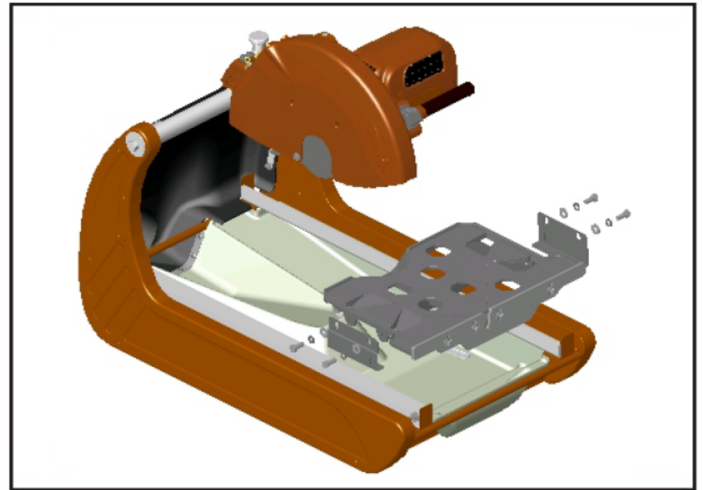


Figure: Conveyor Cart Removal

Dust/Water Collection Pan

The Dust Collection Pan is assembled to the machine from the factory. The following procedure is to remove or to replace the Dust Collection Pan Assembly:

1. Remove Conveyor Cart (see **Conveyor Cart Assembly** page 32 for instructions) and then remove the four (4) sets of Hardware (Bolt, Lock Washer, and Washer) from each corner of the machine frame and remove the rails from the frame (see Figure: Removing the Rails). **Note** the orientation of the Hardware and the Rails.

2. Remove the Dust Pan Assembly from the frame (see **Figure: Removing the Pan**).
3. Replace the Dust Pan Assembly if required.
4. Replace the Rails (note that the leg with the mounting holes will face towards the outside of
5. the frame.
6. Replace the Hardware. Snug the operator's left hand side and fully tighten the operators right
7. hand side hardware.
7. Place the Conveyor Cart on the rails (see **Conveyor Cart Assembly** page 32 for instructions).
8. Align the Conveyor Cart to the blade by moving the operators left hand rail.
9. After the conveyor cart is aligned to the blade, tighten the left hand rail.

Do not try to remove the Dust Collecting Pan without first removing the Rails.

- Removing the Dust Collecting pan without following the above assembly procedure will
- Damage the Dust Collecting Pan.

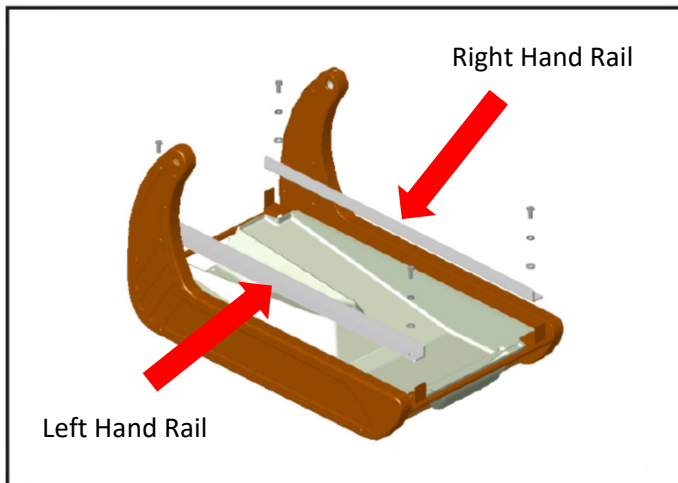


Figure: Removing the Rails

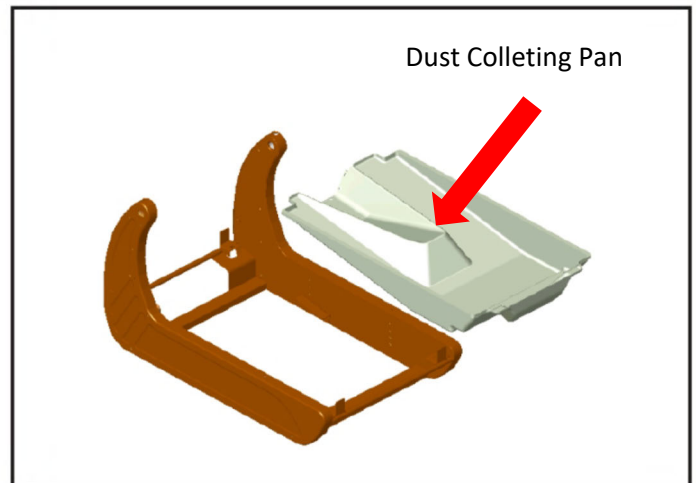


Figure: Removing the Pan

Cleaning:

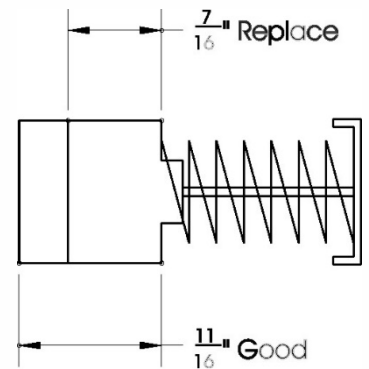
It is recommended to clean any slurry, dust build up, and other debris from the machine after each usage. Use soap, water, and brush to clean taking care not to get water into any electrical component. The unit can be pressure washed however do not pressure wash any electrical component or motor in addition take care when pressure washing any decals as too high of pressure can remove the decal from the machine and is not covered under any warranty. If water gets into any of the electrical components or motor allow the unit to completely dry before connecting to any electrical supply as a short may occur if water is present.

Motor Brushes Replacement

BBM307 Blockbuster Mini Masonry Saw requires constant air filter replacement to avoid brushes damaged that will void the saw warranty. Dust ingestion will damage the motor's brushes, internal motor bearings, and field windings and is not covered under any warranty.

Replace the brushes when the motor begins to lose power. Brushes typically need to be replaced During the life of the saw.

Replace the brushes when over 2/3 of their original length is used (when the overall length of the brush is less than $\frac{7}{16}$ " (11.1mm)). It is normal for the Brushes to wear down.



BBM307 Brush Replacement:

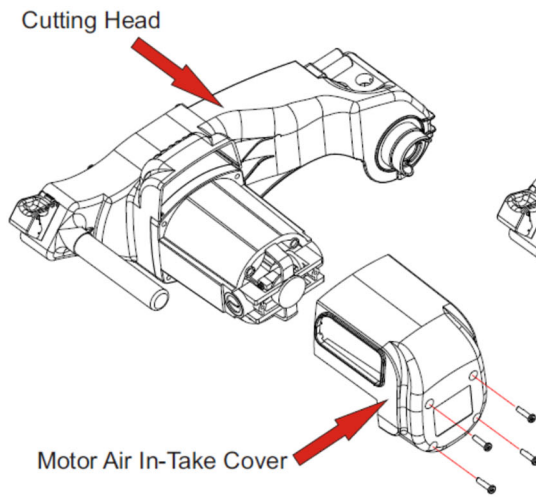


Figure 4-1: Motor Air In-Take Removal

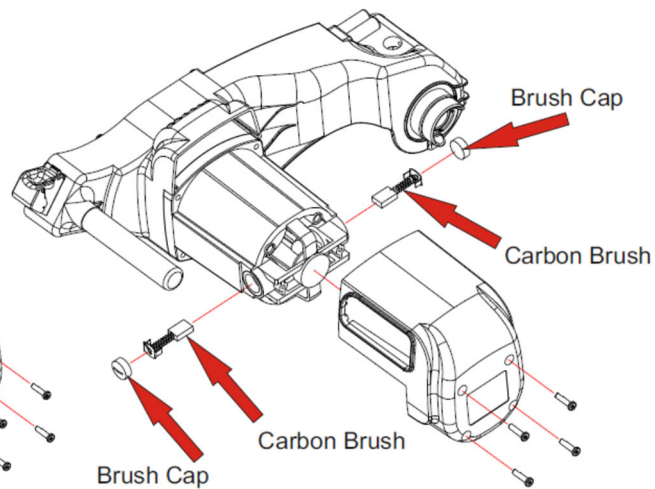


Figure 4-2: Carbon Brush Removal

1. Disconnect the electrical supply
2. Remove the Air Filter.
3. Remove the four (4) Motor Air In-Take Cover mounting screws (see Figure 4-1: **Motor Air In-Take Cover Removal**).
4. Remove the Motor Air In-Take from the motor.
5. Use a coin or wide blade screwdriver to remove the Carbon Brush Cap. Use care not to damage the Carbon Brush Cap. Inspect the Cap for damage. If the Cap has any signs of damage replace (see Figure 4-2 **Carbon Brush Removal**)

6. Remove the Carbon Brush.
7. Use compressed air to blow any access carbon build up out of the motor.
8. Inspect the inside of the motor by looking into the brush holder for any excessive wear or carbon Build up.
9. Place the new Carbon Brush into the Carbon Brush Holder.
10. Replace the Carbon Brush Cap & tighten the Cap with a coin or wide blade screwdriver. Only snug the Cap down. Over tightening the Cap can cause cap damage.
11. Reinstall the Motor Air In-Take Cover and re-attach the four mounting screws.
Do not over tighten.
12. Clean the Air Filter.
13. Reinstall the Air Filter.

Blade Shaft Gear Grease:

The Blade Shaft Gears are greased with a good quality High Pressure High Temperature Gear Grease **EX. Nye Synthetic Lubricants Rheolube 380-GI or Mobil XHP222** or Equal

- Remove the bearing cover and attachment screws and washers.
- Pack the gear housing full and replace the bearing cover.
- Fill with grease and rotate blade shaft to ensure that the grease gets on all surfaces.
- Tighten the four (4) attachment screws.

Air Filter Replacement (BBM307 Only)

The BBM307 Blockbuster Mini Masonry Saw is equipped with a specially designed air filter to help protect the motor from damage due to dust intake. Please clean air filter after every use.

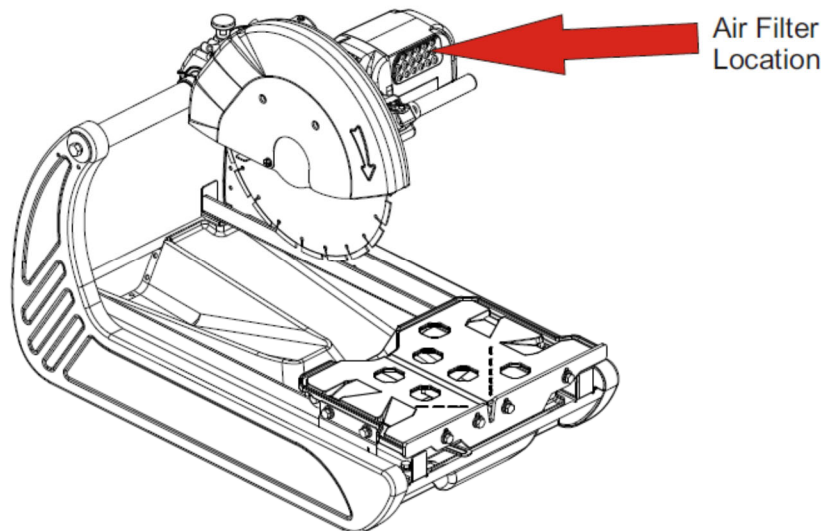


Figure 5-1: Air Filter Location

For Best Performance:

- Clean Air Filter Before Each Use
- Inspect Air Filter and Replace Filter if Damaged
- Do Not Use the Machine with a Dirty, Damaged, or Missing Air Filter
- Reinstall the Filter Before Use

To clean the Air Filter:

1. Carefully remove the Air Filter from the Motor Air In-Take Cover opening. Do not tear or damage the Filter (see Figure 5-1: **Air Filter Location**).
2. Clean the air filter by patting and shaking the dust from the filter. Compressed air can be used to blow the dust out of the filter.
3. Inspect the filter for damage. Any damaged Air Filter must be replaced before using the machine.
4. Replace the filter into the Motor Air In-Take Opening.
5. Check to see if the Air Filter is installed properly. The Air Filter should fill the opening in the front of the Air In-Take Cover and should completely fill the filter cavity. **NOTE:** The air filter should completely fill the Air Intake Opening. No voids or spaces. If any voids or spaces are present reinstall the air filter,

To replace the Air Filter:

1. Carefully remove the old Air Filter from the Motor Air In-Take Cover opening. **NOTE:** Pull the Air Filter thru the opening in the front of the Motor Air In-Take Cover.
2. Inspect the new Air Filter for damage.
3. Place the new Air Filter into the Motor Air In-Take Opening.
4. The Air Filter should fill the opening in the front of the Air In-Take Cover and should completely fill the filter cavity. **NOTE:** The air filter should completely fill the Air Intake Opening. No voids or spaces. If any voids or spaces are present reinstall the air filter.

The BBM307 ships with an Air Filter installed and an extra one with the Owner’s Manual, Wrench, and Guide-A Cut. Additional Air Filters can be purchased from your local Norton Clipper Distributor buy ordering the following.

UPC	Description	NOTES
70184600784	AIR FILTER BBM307	Sold As EACH (1)

Using the machine with a dirty, damaged, or missing Air Filter will result in motor damage and is not covered under warranty.

Cleaning:

It is recommended to clean any slurry, dust build up, and other debris from the machine after each usage. Use soap, water, and brush to clean taking care not to get water into any electrical component. The unit can be pressure washed however do not pressure wash any electrical component or motor in addition take care when pressure washing any decals as too high of pressure can remove the decal from the machine and is not covered under any warranty. If water gets into any of the electrical components or motor allow the unit to completely dry before connecting to any electrical supply as a short may occur if water is present.

BBM158 Belts

The BBM158 Blockbuster Mini Masonry Saw has a high torque induction motor which utilizes a V-belt drive system to provide power to the blade shaft and to ensure the correct blade shaft RPM for the best in cutting performance.

For Best Performance:

- Replacing V-belt:
- The belt should be properly tensioned
- The motor should be fastened securely
- The pulleys should be aligned

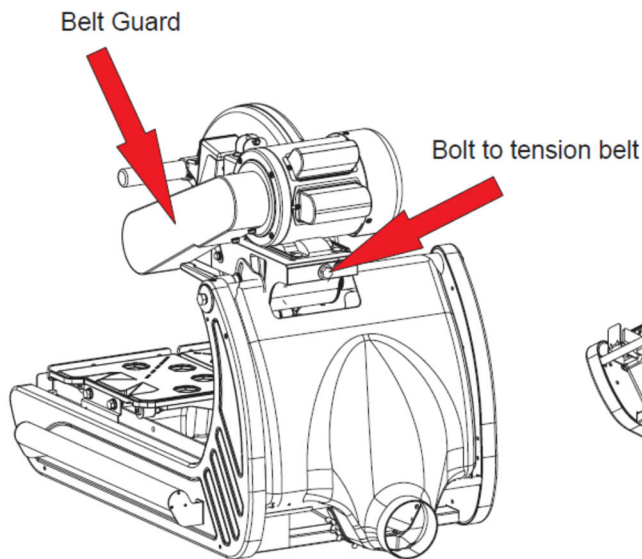


Figure 5-1: Tensioning Bolt and Belt Guard Location

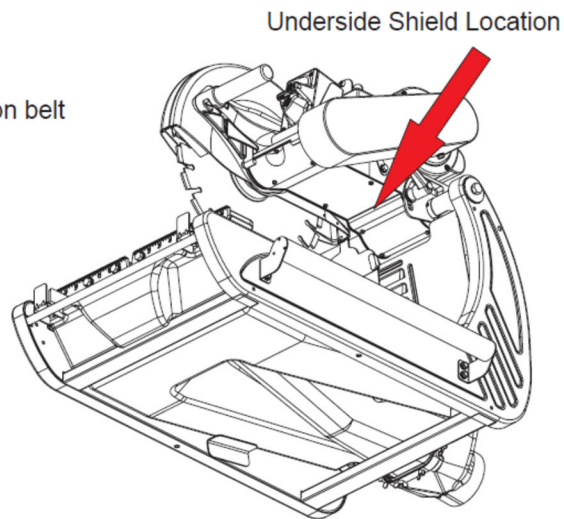


Figure 5-2: Underside Shield Location

1. Unplug the saw.
2. Remove the belt guard (see Figure 5-1: Tensioning Bolt and Belt Guard).
3. Remove the shield located underneath the cutting head (see Figure 5-2: Underside Shield Location).

4. Loosen the four bolts fastening the motor, only enough to move the cutting head. This must be done by loosening the nuts underneath the cutting head.
5. The Z shaped bracket that tension the motor needs to be loosened. Do this by loosening the bolt.
6. Push the motor towards the blade shaft. If the motor does not move forward enough to remove the belt loosen the bolt from step #4 further correctly before reinstalling the underside shield and belt guard.
7. Install the new belt and perform steps mentioned before but in reverse.
8. Check the belt tension correctly before reinstalling the underside shield and belt guard.

Belt Tensioning

Over time the BBM158 belts will need to be re-tensioned. This is a normal maintenance item that must be performed with any machine utilizing v-belts. With usage the v-belts will stretch and wear which increases the length of the belt and decreases the belt tension.

1. Unplug the saw.
2. Remove the belt guard (see Figure 5-1: Tensioning Bolt and Belt Guard).
3. Remove the shield located underneath the cutting head (see Figure 5-2: Underside Shield Location).
4. Loosen the four bolts fastening the motor, only enough to move the cutting head. This must be done by loosening the nuts underneath the cutting head.
5. The Z shaped bracket that tension the motor needs to be tightened. Do this by tightening the Bolt to Tension the motor (turn clockwise).
6. Pull the motor towards the rear of the machine (away from the blade shaft) until there is about 3/8" movement up and down at the center of the drive belt.
7. Install the new belt and perform steps mentioned before but in reverse.
8. Check the belt tension correctly before retightening all hardware, reinstalling the underside shield and belt guard.

Main Causes of Belt Failures:

Premature Belt failure can be attributed to the following issues: Tension (too much or too little), Pulley Misalignment, Damaged Pulleys, Improper Handling or Storage, Incorrect Blade Specification for Material Being Cut, and Cutting Too Deep.

Symptom	Possible Cause	Corrective Action
Belt Breakage	Too Much Tension	Re-tension Belts
	Excessive Shock Load	Reduce Load/ Check Blade Specification
	Pulley Out Of Round	Replace Pulley
Burning of Belt	Too Little Belt Tension	Increase Belt Tension
	Excessive Load (Cutting Full Depth)	For Best Performance Only Cut only 1-1/2" to 2" Per Pass
	Containments On Belts	Replace Belts and Find Source of Containments
	Incorrect Blade Specification	Replace Blade with One Designed For Material Being Cut
Symptom	Possible Cause	Corrective Action
Belt Tearing/Ripping	Pulley Misalignment	Align Pulleys
Belt Rolling Off Pulley	Pulley Misalignment	Align Pulleys
Belt Cracking	Extremely Low Temperature at Startup	Warm Machine Before Use
	Exposure To Chemicals or Lubricates	Locate Source of Containments and Replace Belts.

Ordering Information

1. Provide the model number and serial number of the machine from the machine name plate.
2. Provide the UPC number, part number, and description of part.
3. Whenever alternate parts are shown due to product improvement, inspect the part you have and provide additional description as necessary.
4. Specify mode of shipping desired, for example, parcel post, truck, air freight, UPS., best way, etc.

Contact Customer Service:
Saint-Gobain Abrasives
2770 West Washington
Stephenville, TX 76401

Phone: 800-554-8003
Fax: 254-918-2312

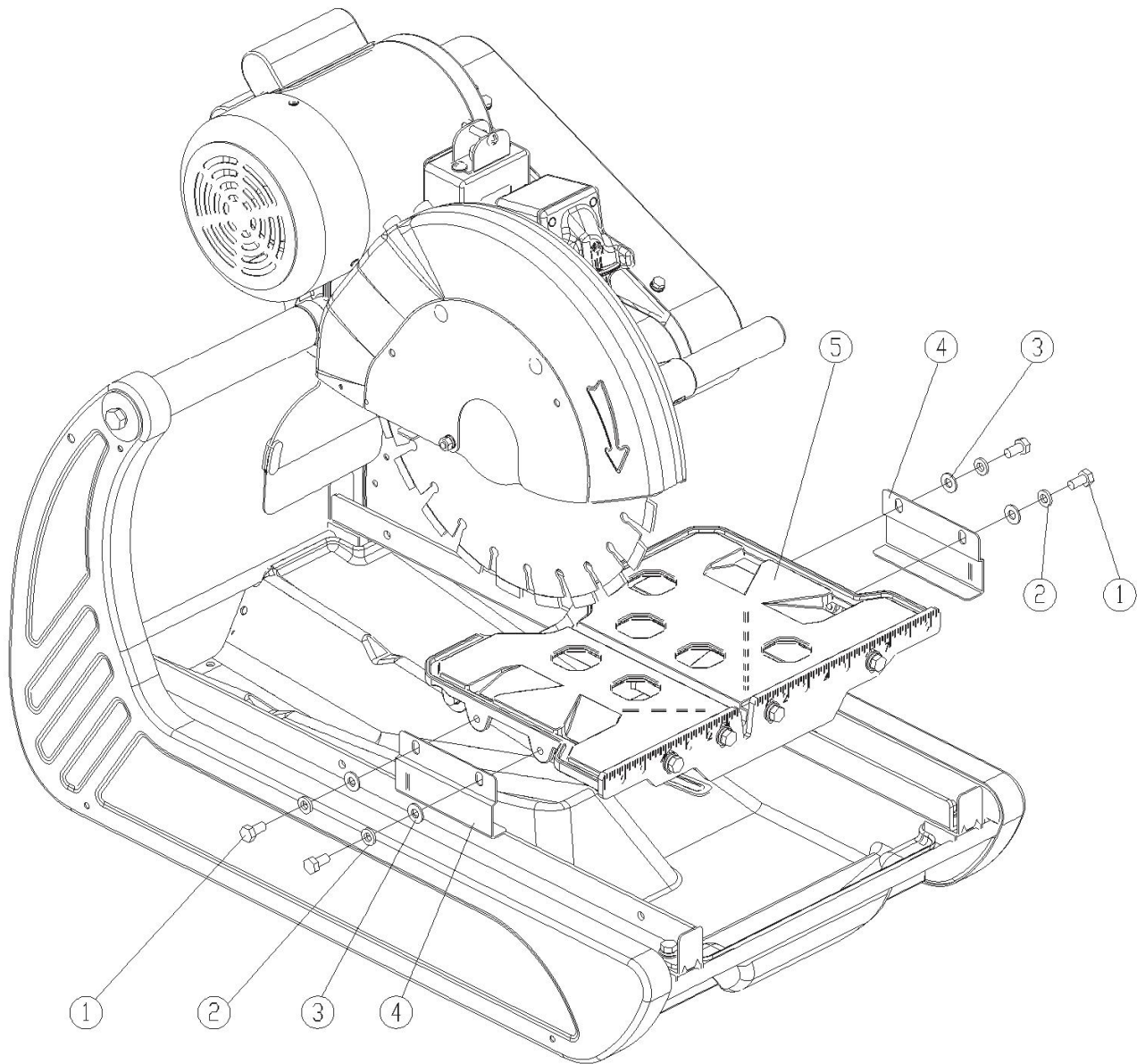
Web: www.nortonabrasives.com

NOTE: All Parts Are Sold as Individual (each) Unless Noted Otherwise

Use Only Clipper Diamond Blades. Contact your local Norton Clipper Distributor or our Customer Service at 800-554-8003 for the best blade for the application.

All parts are designated as either Service Parts (S) or Wear Parts (W) in the Type column in the parts listing. Wear parts are worn out through normal use of the machine. The wear period depends on the intensity of use of the machine, handling, and maintenance of the machine. Wear parts must be serviced and eventually changed following the indications of the manufacturer. Any wear due to normal use of the machine will not be considered as a case of warranty for items designated as Wear Parts (W). For best performance and life Genuine Norton Clipper replacement parts should always be used. Changes to part specifications, are subject to change without notice.

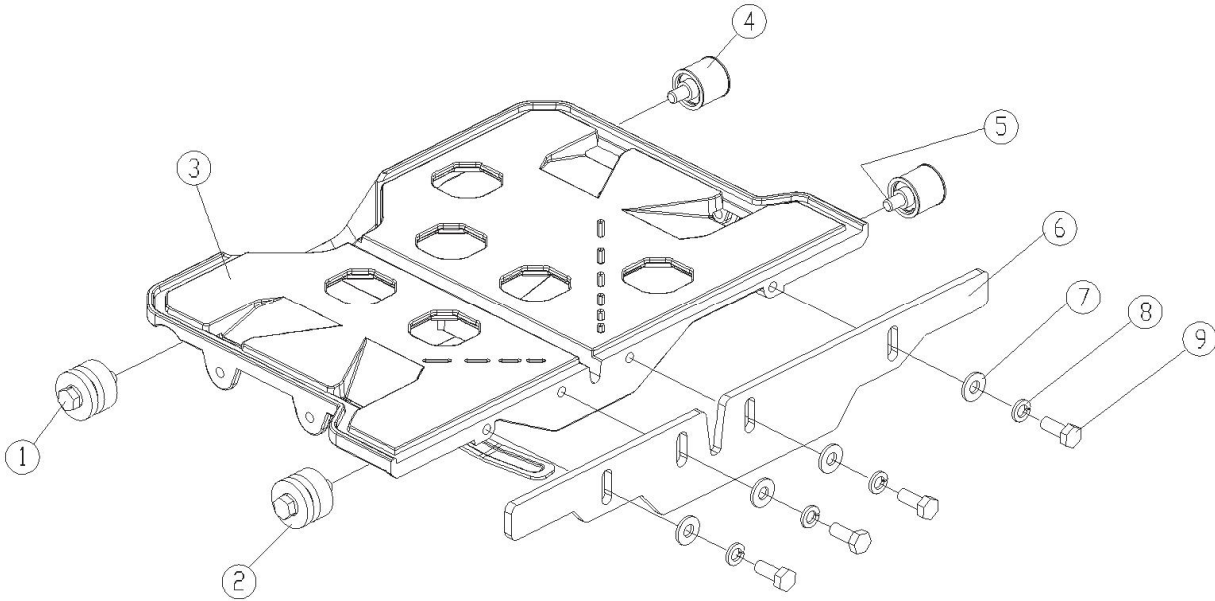
CONVEYOR CART ASSEMBLY BBM307 and BBM158



Conveyor Cart Assembly BBM307 & BBM158

#	UPC	Part #	Description	307	158	Type
1	70184600764	235031	SCR M8 X 16 1.25 DIN933	4	4	W
2	TBA	235012	WASHER LOCK M8 DIN127B	4	4	W
3	70184600562	232110	WASHER M8 DIN125 FLAT	4	4	W
4	70184600765	235034	CUTTING TABLE POSITION BRACKET	2	2	S
5	70184600727	235002	CONVEYOR CART COMP W/WHEELS	1	1	S

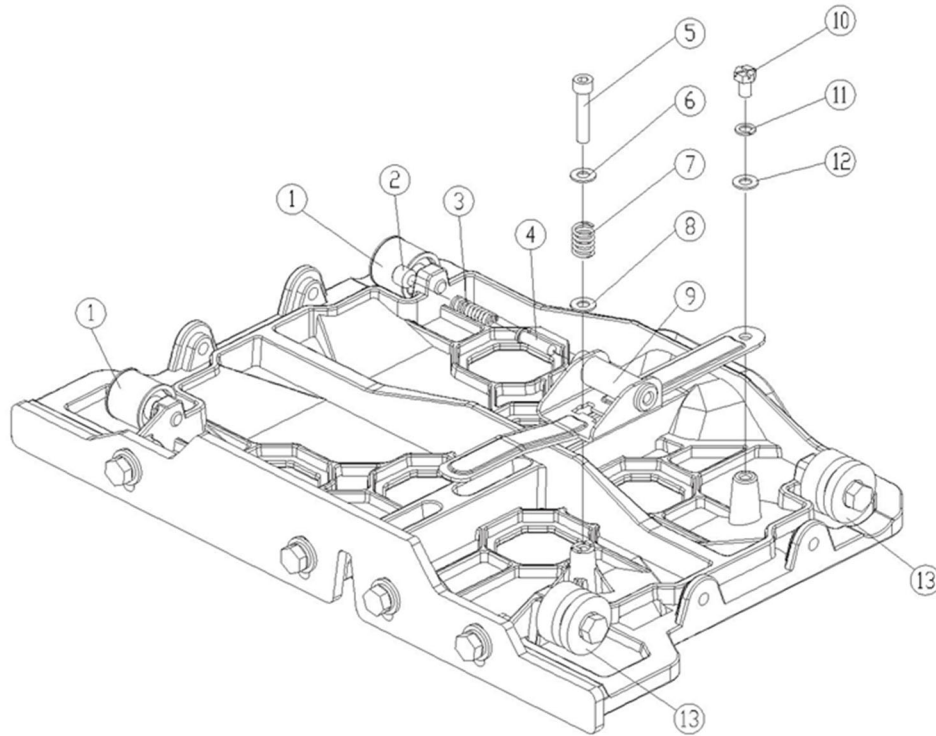
Order by UPC number; W= Wearing Part, S= Service Part



Conveyor Cart Table Assembly BBM307 & BBM158

#	UPC	Part #	Description	307	158	Type
1	70184600728	235005	SCR M8 X 45 1.25 DIN933	1	1	W
2	70184600729	235006	HANDLEBAR GRIP	2	2	W
3		235007	USE 70184600727	1	1	S
3	70184600727	235002	CONVEYOR CART ASSEMBLY BBM	1	1	S
4	70184600731	235008	WHEEL FLAT (2) BBM307	1	1	W
5	70184600732	235009	SCR M8 X 40 1.25 DIN933	2	2	W
6	70184600733	235010	RULER GUIDE BBM307	1	1	S
7	70184600562	232110	WASHER M8 DIN125 FLAT	4	4	S
8	TBA	235012	WASHER LOCK M8 DIN127B	4	4	S
9	70184600735	235013	SCR M8 X 20 1.25 DIN933	4	4	S

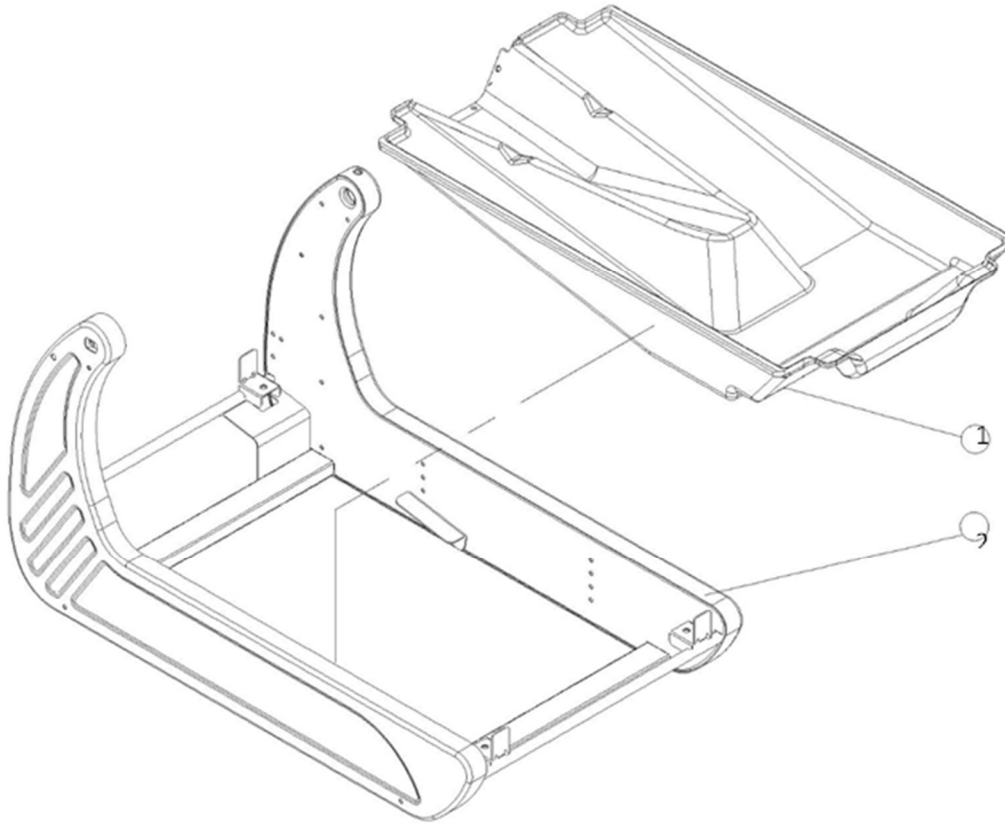
Order by UPC number; W= Wearing Part, S= Service Part



Conveyor Cart Tray Assembly BBM307 & BBM158

#	UPC	Part #	Description	307	158	Type
1	70184600731	235008	WHEEL FLAT (2) BBM307	2	2	W
2	70184600736	235014	LOCK PIN	1	1	S
3	70184600737	235015	SPRING TENSION LOCK PIN	1	1	S
4	70184600738	235016	LOCK PIN BBM307	1	1	S
5	70184647169	235017	SCR. M6 X 30 1.0 DIN933	1	1	S
6	70184600756	235018	WASHER LOCK M6 DIN127B	1	1	S
7	70184600757	235019	SPRING TENSION TBL LCK BK	1	1	S
8	70184600756	235018	WASHER LOCK M6 DIN127B	1	1	S
9	70184600758	235021	BRCKET TABLE LOCKING	1	1	S
10	70184600851	235022	SCR. M6 X 10 1.0 DIN933	1	1	S
11	70184600756	235018	WASHER LOCK M6 DIN127B	1	1	S
12	70184600585	235024	WASHER M6 DIN125	1	1	S
13	70184600729	235006	WHEEL U SHAPE (2)	2	2	W

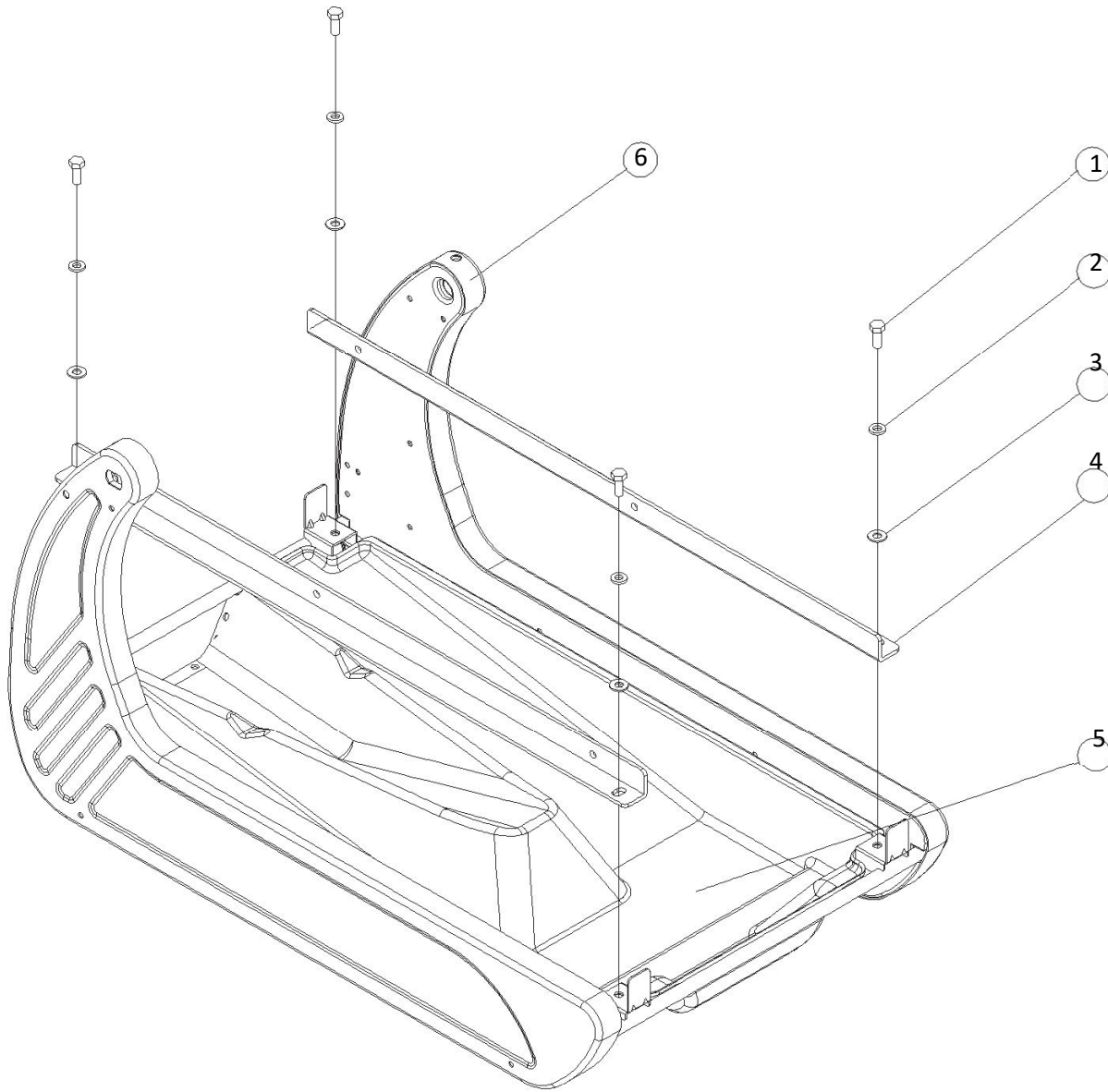
Order by UPC number; W= Wearing Part, S= Service Part



Frame and Dust/Water Collecting Pan BBM307 & BBM158

#	UPC	Part #	Description	307	158	Type
1	70184600761	235025	FRAME ONLY BBM307	1	1	S
2	70184600762	235026	DUST/WATER COLLECTING PAN	1	1	S

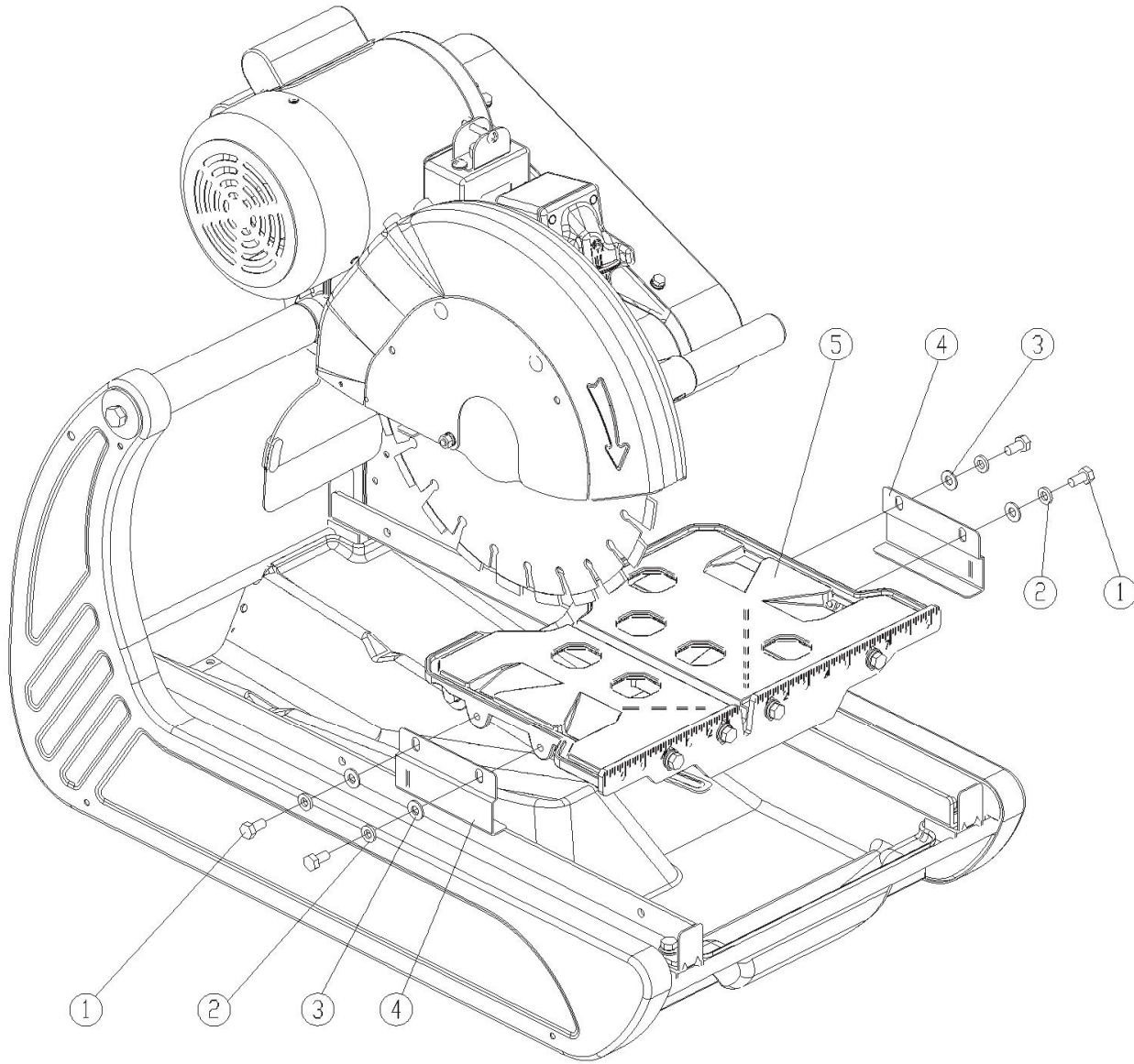
Order by UPC number; W= Wearing Part, S= Service Part



Cutting Table Guide Rails BBM307 & BBM158

#	UPC	Part #	Description	307	158	Type
1	70184600735	235013	SCR M8 X 20 1.25 DIN933	4	4	S
2	70184625604	235012	WASHER LOCK M8 DIN127B	4	4	W
3	70184600562	232110	WASHER M8 DIN125 FLAT	4	4	S
4	70184600763	235030	RAIL (2) BBM307	2	2	S
5	70184600762	235026	DUST/WATER COLLECTING PAN	1	1	W
6	70184600761	235025	FRAME ONLY BBM307	1	1	W

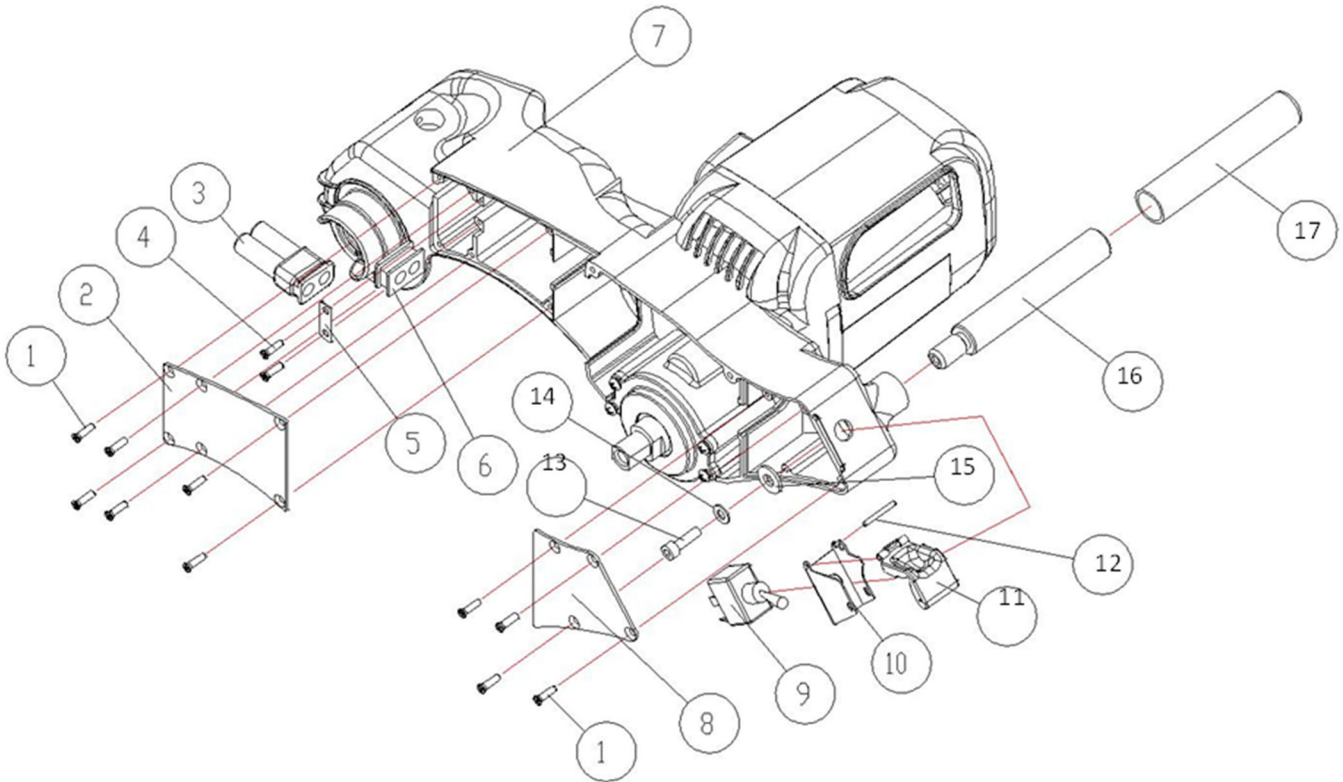
Order by UPC number; W= Wearing Part, S= Service Part



Cutting Table Assembly BBM307 & BBM158

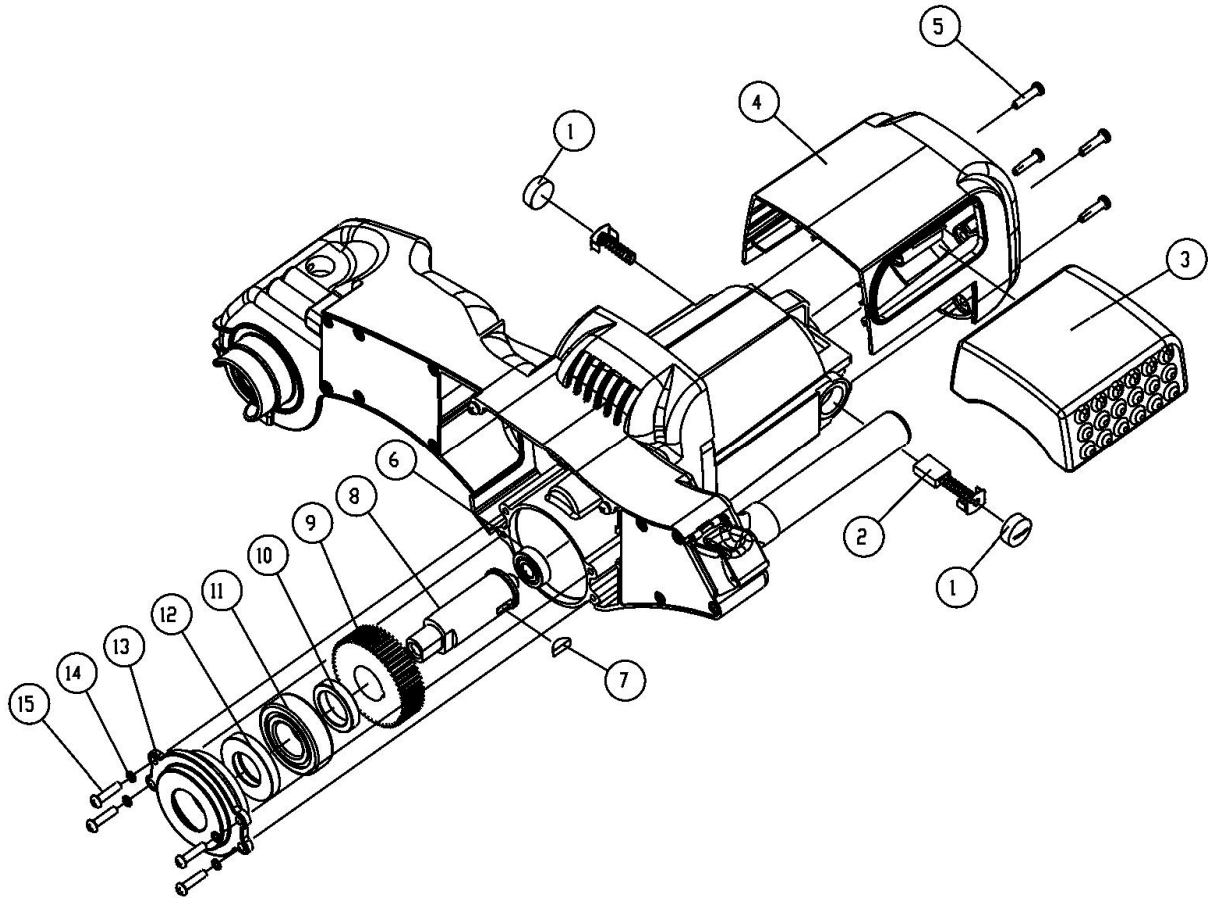
#	UPC	Part #	Description	307	158	Type
1	70184600764	235031	SCR M8 X 16 1.25 DIN933	4	4	S
2	70184625604	235012	WASHER LOCK M8 DIN127B	4	4	S
3	70184600562	232110	WASHER M8 DIN125 FLAT	4	4	S
4	70184600765	235034	CUTTING TABLE POSITION BR	2	2	S
5	70184600727	235002	CONVEYOR CART COMP W/WHEELS	1	1	S

Order by UPC number; W= Wearing Part, S= Service Part



Electrical System BBM307 Only

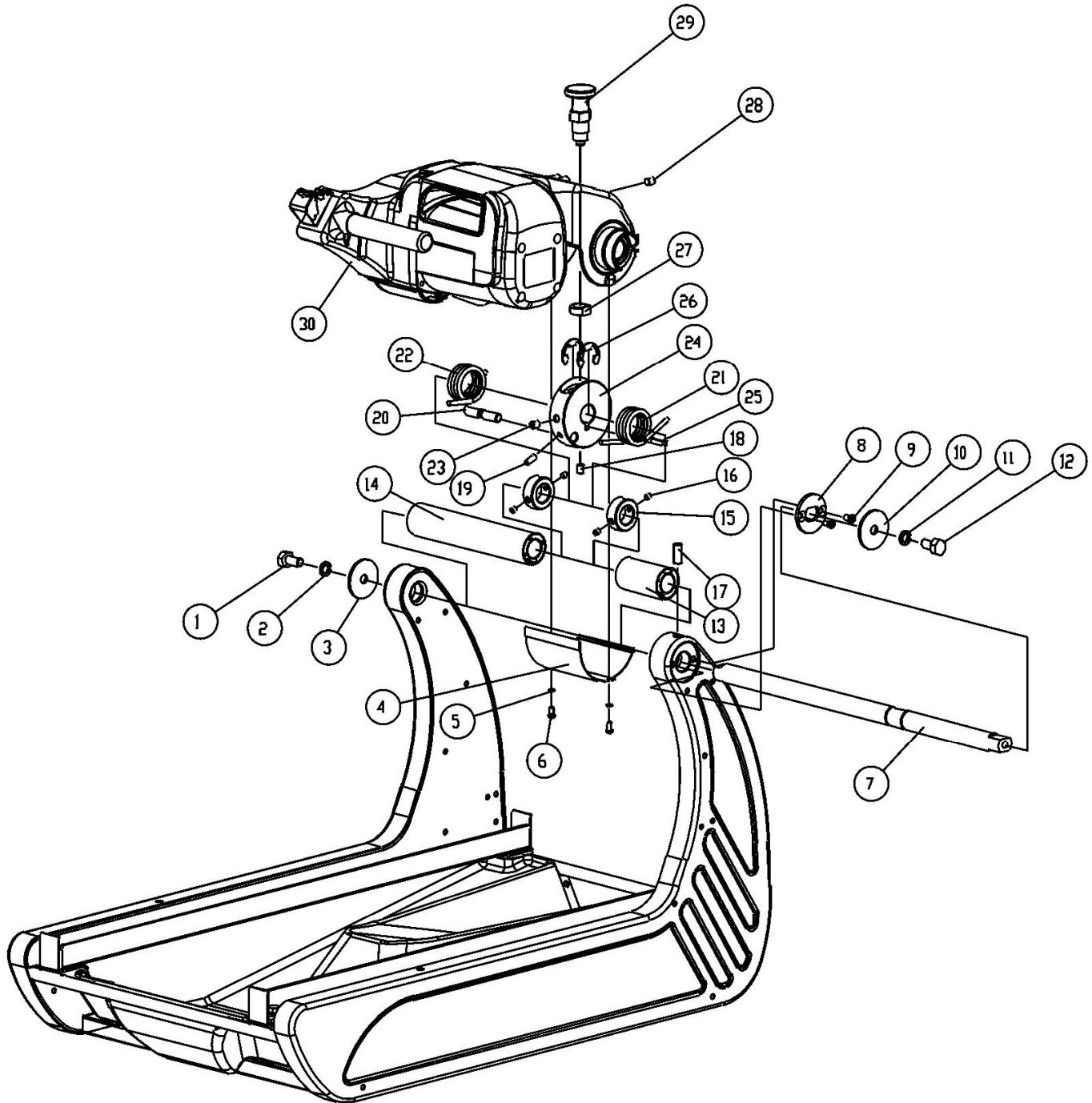
#	UPC	Part #	Description	307	158	Type
*	70184622406	235162	MOT REPLACEMENT KIT BBM307	1		S
1	70184600769	235039	SCR M4 X 10 0.7 DIN933	10		S
2	70184600770	235040	AIR FLOW COVER	1		W
3	70184600771	235041	GROMMET POWER CABLE	1		S
4	70184623332	235042	SCR M4 X 8 0.7 DIN933	2		S
5	70184600773	235043	POWER CABLE RUBBER SLEEVE	1		S
6	70184600774	235044	POWER CABLE HOLDING BRKT	1		S
7	70184600775	235045	CUTTING HEAD CASTING ONLY	1		S
8	70184600776	235046	POWER SWITCH COVER	1		S
9	70184680858	233003	SWITCH TOGGLE (POWER) 15A	1		S
*	70184623912	235165	SWITCH TOGGLE (POWER) 20A BBM307	1		S
10	70184600777	235047	SWITCH COVER AND BRACKET	1		S
11	70184600875	233003-1	COVER TOGGLE SWITCH	1		S
12	70184600854	235047-2	LOCK PIN SWITCH COVER BBM	2		S
13	70184600774	235044	POWER CABLE HOLDING BRKT	3		S
14	70184600756	235018	WASHER LOCK M6 DIN127B	4		S
15	70184600585	235024	WASHER M6 DIN125	5		S
16	70184600779	235051	HANDLEBAR BBM307/BBM158	6		S
17	70184600781	235052	HANDLE GRIP BBM307	7		S



Carbon Brush, Air-Intake, And Blade Shaft BBM307 Only

#	UPC	Part #	Description	307	158	Type
1	70184600782	235053	BRUSH CAP (1) BBM307	1		S
2	70184600783	235054	CARBON BRUSHES (2) BBM307	2		W
3	70184600784	235055	AIR FILTER BBM307	1		S
4	70184600785	235056	MOTOR AIR IN-TAKE COVER	1		S
5	70184600786	235057	SCR M4 X 16 0.7 DIN933	4		S
6	70184600827	235112	BEARING BLD SHFT SMALL	1		S
7	70184600828	235113	KEY WOODRUF BBM BLD SHAFT	1		S
8	70184600829	235114	BLADE SHAFT BBM307	1		S
9	70184600830	235115	GEAR BLADE SHAFT BBM	1		W
10	70184600831	235116	SHAFT SPACER INNER	1		S
11	70184600837	235117	BEARING BLADE SHAFT OUTER	1		S
12	70184600838	235118	SHAFT SPACER OUTER BBM	1		S
13	70184600832	235119	PLATE BLD SHAFT RETAINING	1		S
14	70184631179	235120	WASHER M5 LOCK DIN127B	4		S
15	70184600839	235121	SCR M5 X 20 0.8 DIN933	4		S

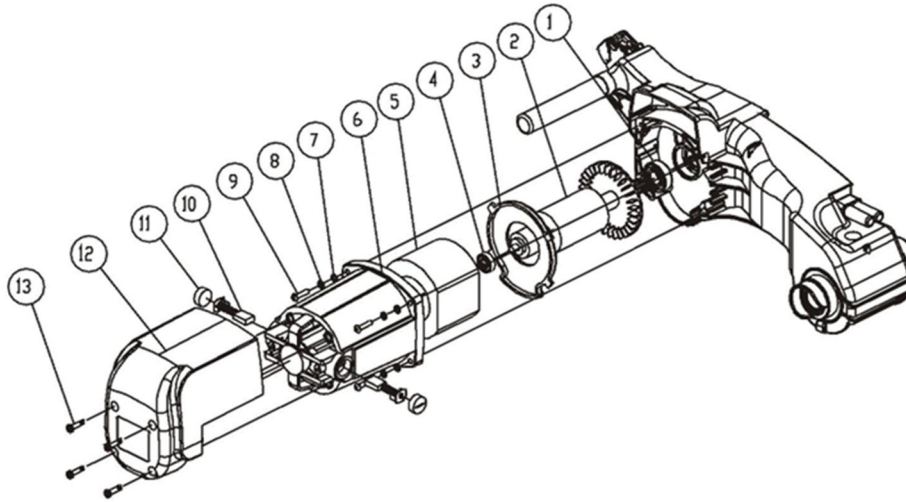
Order by UPC number; W= Wearing Part, S= Service Part



Cutting Head BBM307 Only

#	UPC	Part #	Description	307	158	Type
1	70184600787	235061	SCR M10 X 20 1.5 DIN933	1		S
2	70184681609	27502	WASHER M10 DIN127 LOCK	1		S
3	70184600788	235063	WASHER M10 X 40 X 3 BLD S	1		S
4	70184600789	235064	SPRING HOUSING COVER	1		S
5	70184600790	235065	WASHER M5 DIN125 FLAT	2		S
6	70184641340	235066	SCR M5 X 10 0.8 DIN933	2		S
7	70184600792	235067	MAIN CROSS BAR BBM307	1		S
8	70184600793	235068	CROSS BAR POSITION BRK	1		S
9	70184641341	235069	SCR M6 X 10 1.0 PHILLIPS HEAD DIN965	1		S
10	70184600788	235063	WASHER M10 X 40 X 3 BLD S	1		S
11	70184681609	27502	WASHER M10 DIN127 LOCK	1		S
12	70184600787	235061	SCR M10 X 20 1.5 DIN933	1		S
13	70184600794	235073	CROSS BAR POSIT TUBE SHRT	1		S
14	70184600795	235074	CROSS BAR POSIT TUBE LNG	2		S
15	70184600796	235075	COLLAR SET CUTTING HEAD	2		S
16	70184600797	235076	SCR M6 X 10 1.0 SET DIN916	4		S
17	70184600798	235077	SCR M10 X 20 1.5 SET DIN916	1		S
18	70184600799	235078	SCR M8 X 20 1.25 DIN916	1		S
19	70184600797	235076	SCR M6 X 10 1.0 SET DIN916	1		S
20	70184600800	235080	ANGLE POSITION LOCK PIN	1		S
21	70184600801	235081	TENSION SPRING RIGHT SIDE	1		S
22	70184600802	235082	TENSION SPRING LEFT SIDE	1		S
23	70184600799	235078	SCR M8 X 20 1.25 DIN916	1		S
24	70184600803	235084	CUTTING HEAD ANG MAIN BRK	1		S
25	70184641342	235085	KEY 5 X 5 X 24MM	1		S
26	70184600805	235086	C RING Ø22MM	2		S
27	70184600806	235087	ANGLE ADJUSTMENT LOCK NUT	1		S
28	70184600797	235076	SCR M6 X 10 1.0 SET DIN916	1		S
29	70184600807	235089	ANGLE ADJUSTMENT LOCK PIN	1		S
30	70184600808	235090	CUTTING HEAD COMPLETE BBM	1		S

Order by UPC number; W= Wearing Part, S= Service Part

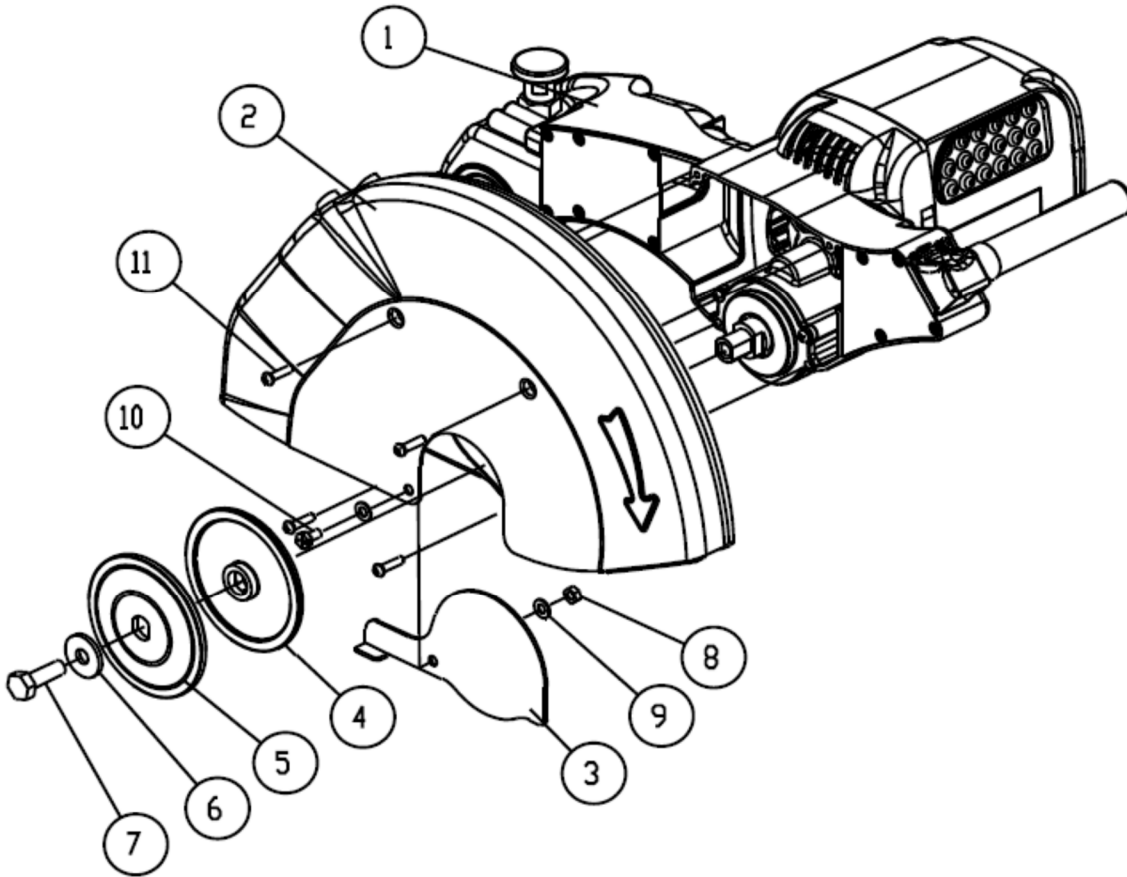


Motor Assembly BBM307 Only

#	UPC	Part #	Description	307	158	Type
	70184622406	235162	MOT REPLACEMENT KIT BBM307 Includes Everything Listed Below Except for 70184600841	1		W
1	70184600840	235122	BEARING MOTOR INNER BBM	1		W
2		235123	Part of Motor Replacement Kit 70184622406	1		W
3	70184600841	235124	MOTOR RETAINING PLATE BBM	1		S
4	70184600827	235112	BEARING BLD SHFT SMALL	1		S
5		235126	Part of Motor Replacement Kit 70184622406	2		W
6		235127	Part of Motor Replacement Kit 70184622406	2		W
7	70184600873	235104	WASHER M4 DIN125 FLAT (PACK OF 100)	4		S
8	70184622600	235105	WASHER M5 DIN 7980 LOCK	4		S
9	70184600844	235130	SCR M5 X 25 0.8 DIN933	4		S
10	70184600783	235054	CARBON BRUSHES (2) BBM307	2		W
11	70184600782	235053	BRUSH CAP (1) BBM307	1		S
12	70184600785	235056	MOTOR AIR IN-TAKE COVER	1		S
13	70184600786	235057	SCR M4 X 16 0.7 DIN933	4		S
*	70184627019	235167	THERMAL RESET 18A BBM307	1		W

Order by UPC number; W= Wearing Part, S= Service Part

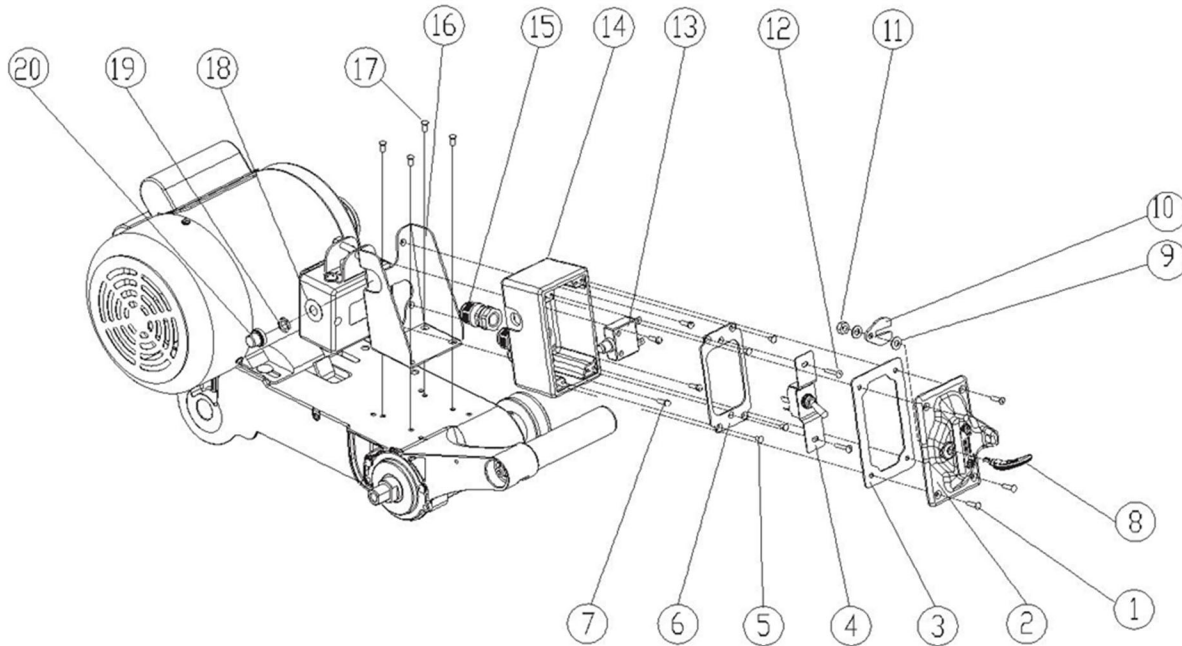
Blade Guard Assembly BBM307 Only



Blade Guard Assembly BBM307 Only

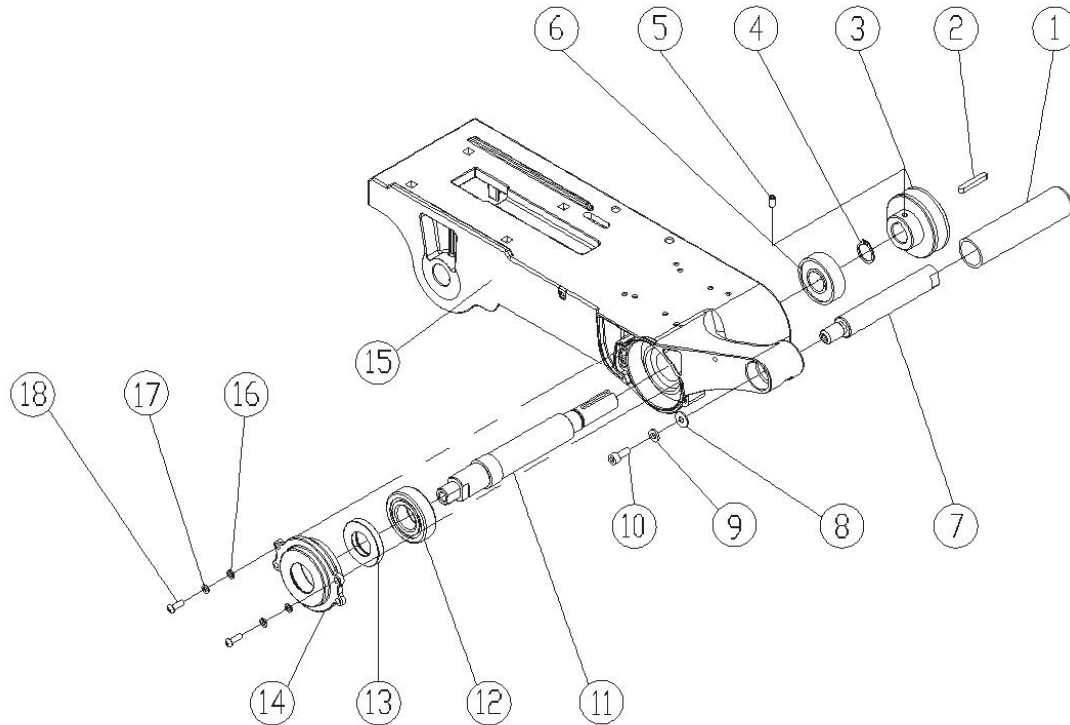
#	UPC	Part #	Description	307	158	Type
1	70184600808	235090	CUTTING HEAD COMPLETE BBM	1		W
2	70184600845	235131	BLADE GUARD BBM307	1		W
3	70184600846	235132	ARBOR COVER BBM307	1		S
4	70184600847	235133	TIGHT COLLAR BBM307	1		S
5	70184600848	235134	LOOSE COLLAR BBM/YMB307	1		S
6	70184600788	235063	WASHER M10 X 40 X 3 BLD S	1		S
7	70184600893	235142	SCR M10 X 20 1.5 DIN933 LH	1		S
8	70184600850	235136	NUT M6 DIN985 LOCK	1		S
9	70184600585	235024	WASHER M6 DIN 125 FLAT	2		S
	70184600756	300279	WASHER LOCK M6 DIN127B	1		S
10	70184600851	235137	SCR M6 X 10 1.0 DIN933	1		S
11	70184600852	235138	SCR M4 X 20 0.7 DIN7985A	1		S

Order by UPC number; W= Wearing Part, S= Service Part



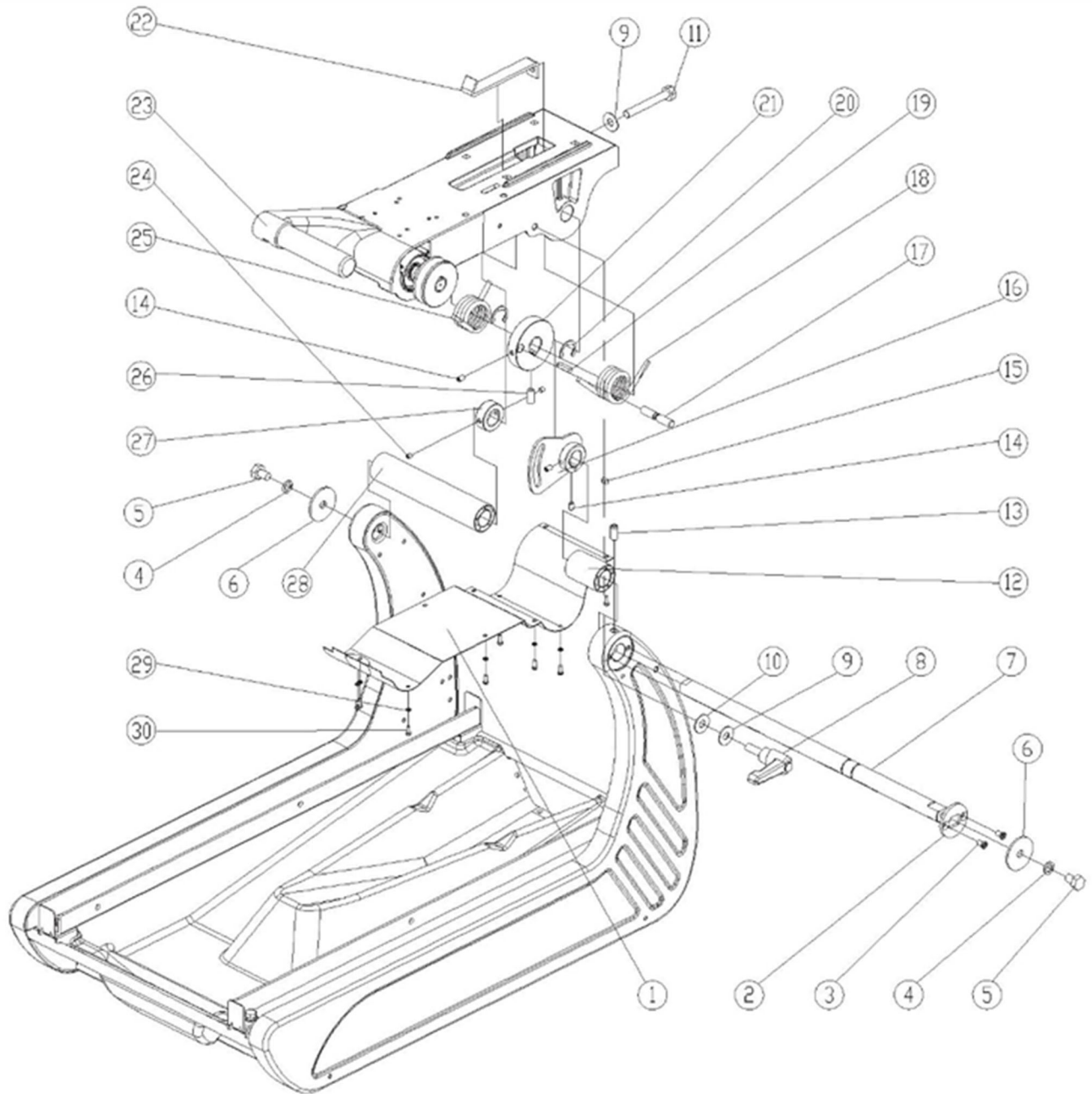
Electrical System BBM158 Only

#	UPC	Part #	Description	307	158	Type
1	TBA	2912	M4 X 0.7 X 15L COUNTERSUNK SCR		4	S
2	70184640371	2902	SWITCH BOX COVER BBM158		1	W
3	70184640372	235201	RUBBER GASKET BBM158		1	S
4	70184623912	235165	SWITCH TOGGLE (POWER) 20A		1	S
5	TBA	235203	M4 X 0.7 X 6L COUNTERSUNK SCR		4	S
6	70184632745	235024	SWITCH MOUNTING PLATE BBM158		1	S
7	70184644712	408316	SCR M4 X 12 PAN HEAD PHILLIPS		4	S
8	70184603024	235206	EXTRERNAL ROTARY SWITCH		1	S
9	70184600585	235024	WASHER M6 DIN 125 FLAT		1	S
10	70184603023	235207	C-PLATE BBM158		1	S
11	70184600850	235136	NUT M6 DIN985 LOCK		1	S
12	TBA	235208	#6-32 X 5/8" L PHILLIP SCREW		2	S
13	70184680859	233004	CIRCUIT BREAKER (RESET) BBM158		1	S
14	70184601843	240010	SWITCH HOUSING BBM158		1	S
15	TBA	235210	CABLE GLAND		1	S
16	TBA	235211	SWITCH HOUSING BRACKET		1	S
17	70184600769	235039	SCR M4 X 10 0.7 DIN933		4	S
18	70184680859	233004	Included with (#13) 7018460859		1	S
19	70184680859	233004	Included with (#13) 7018460859		1	S
20	70184694268	235214	CIRCUIT BREAKER BOOT		1	S



Blade Shaft BBM158 Only

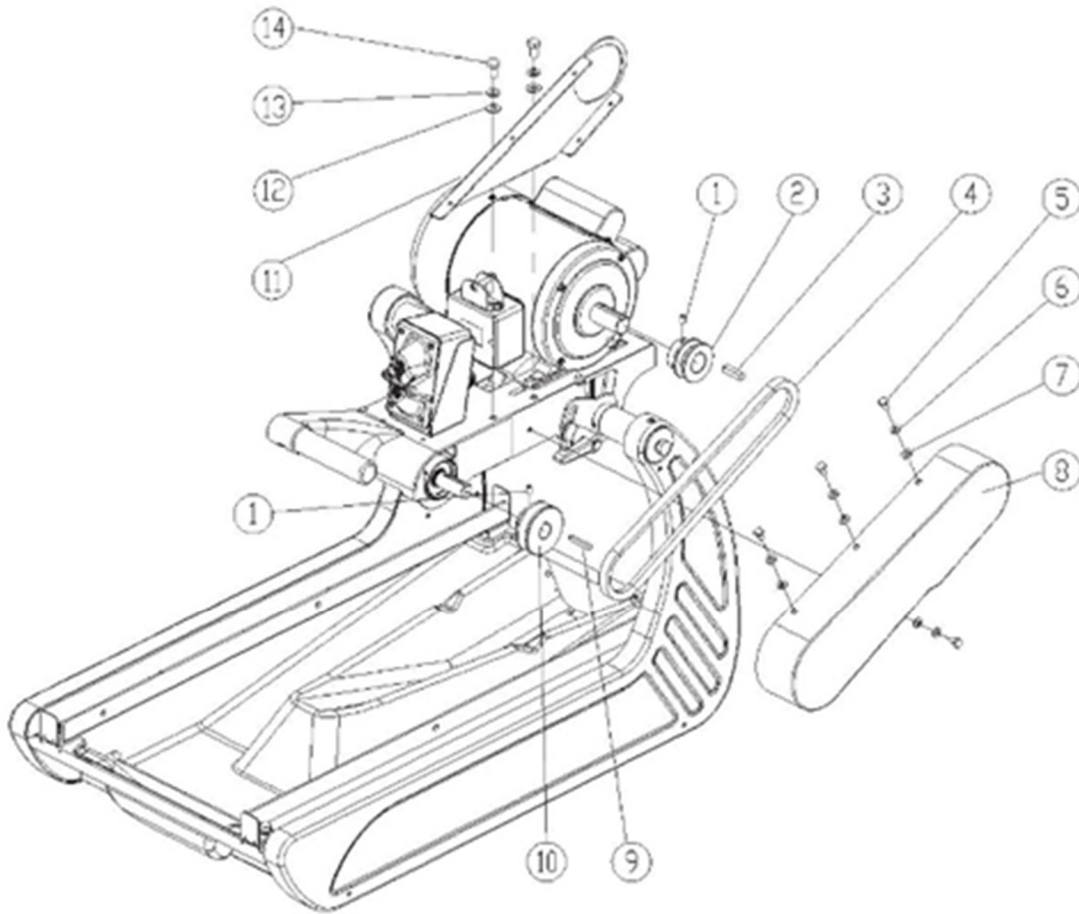
#	UPC	Part #	Description	307	158	Type
1	70184600781	236052	RUBBER GRIP BBM158		1	S
2	70184644931	242033	5 X 5 X 30 SQUARE KEY		1	S
3	70184630414	240028	PULLEY 63.5mm x 13x7 RPF3300A		1	S
4	70184625592	300120	RING RETAINING 20 x 1.3 DIN471 EXT		1	S
5	70184600797	235076	SCR M6 X 10 1.0 SET DIN916		1	S
6	70184627099	233012-1	BEARING RADIAL 6204-2Z or RS		1	W
7	70184600779	235051	HANDLEBAR BBM307/BBM158		1	W
8	70184600779	235024	M6 NARROW WASHER		1	S
9	70184600756	300279	M6 LOCK WASHER		1	S
10	70184600774	235044	POWER CABLE HOLDING BRKT		1	S
11	70184630589	235231	BLADE SHAFT BBM158		1	W
12	70184600837	235117	BEARING BLADE SHAFT OUTER		1	W
13	70184600838	235118	SHAFT SPACER OUTER BBM		1	S
14	70184643128	235231	BEARING COVER BBM158		1	S
15	TBA	235232	CUTTING HEAD CASTING ONLY		1	S
16	70184600790	235065	WASHER M5 DIN125 FLAT		2	S
17	70184622600	235105	500048 WASHER M5 DIN 7980 LOCK		2	S
18	TBA	235233	M5 X 0.8 15L PHILLIP SCREW		2	S



Cutting Head BBM158 Only

#	UPC	Part #	Description	307	158	Type
1	TBA	235238	CUTTING HEAD UNDERSIDE SHIELD		1	S
2	70184600793	235068	LOCKING PLATE		2	S
3	70184641341	235069	SCR M6 X 10 1.0 PHILLIPS HD DIN965		1	S
4	70184681609	27502	WASHER M10 DIN127 LOCK		1	S
5	70184600787	235061	SCR M10 X 20 1.5 DIN933		1	S
6	70184600788	235063	WASHER M10 X 40 X 3 BLD S		2	S
7	70184603046	235239	MAIN CROSS BAR BBM158		1	W
8	70184640241	235240	KNOB ADJUSTABLE 3/8"-16 x 1-1/8"		1	S
9	70184681610	27504	WASHER M10 DIN125 (100 PACK)		1	S
10	70184640514	27502	WASHER M10 WAVED		1	S
11	TBA	235242	SCR M10 1.5 x 75 DIN 933 HEX HD		1	S
12	70184694187	235243	SHORT ALUMINUM SLEEVE BBM158		1	S
13	70184600798	235077	SCR M10 X 20 SET DIN916		1	S
14	70184600797	235076	SCR M6 X 10 1.0 SET DIN916		2	S
15	TBA	235244	KEY 5X5X10 SQ		1	S
16	70184694191	235245	CUTTING DEPTH GUIDE		1	S
17	TBA	235246	SPRING BRACING BAR		1	S
18	70184640242	235250	SPRING TORSION BBM158 RIGHT		1	S
19	70184641342	235085	KEY 5 X 5 X 24MM		1	S
20	70184600805	235086	M22 EXTERNAL C-CLIP		2	S
21	TBA	235248	SPRING BRACE MOUNT		1	S
22	70184631599	235249	MOTOR BELT TENSIONING BRACKET		1	S
23	TBA	235232	CUTTING HEAD CASTING ONLY		1	S
24	70184600564	081949	SCR M6 X 10 1 DIN916 SET		2	S
25	70184693953	235247	SPRNG TORSION BBM158 LEFT		1	S
26	70184600799	235078	SCR M8 X 20 1.25 DIN916		1	S
27	70184600796	235075	POSITIONING COLLAR BBM158		1	S
28	70184694192	235251	LONG ALUMINUM SLEEVE BBM158		1	S
29	70184600873	235104	WASHER M4 DIN125 FLAT (100 PACK)		11	S
30	TBA	235252	SCR M4 0.7 X 10 DIN966 PHILIPS		11	S

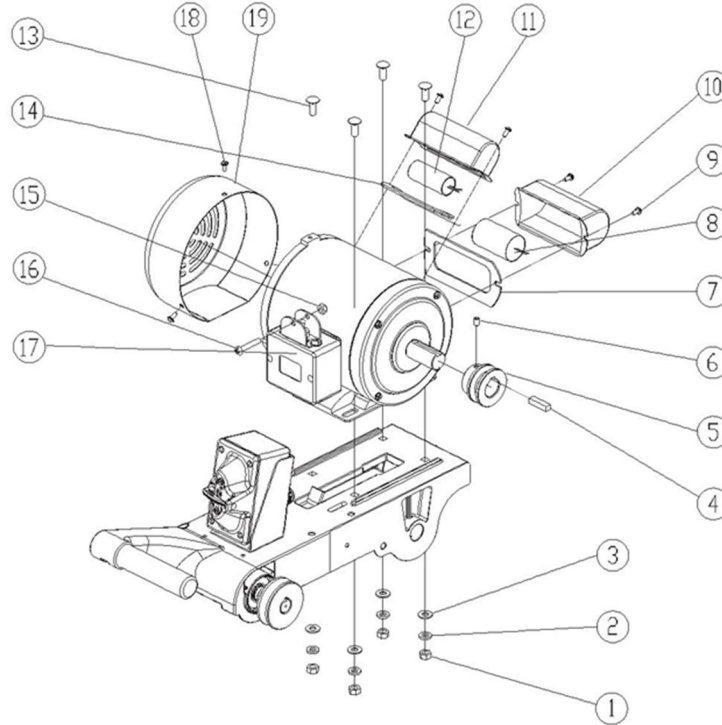
Order by UPC number; W= Wearing Part, S= Service Part



Belt Guard Assembly BBM158 Only

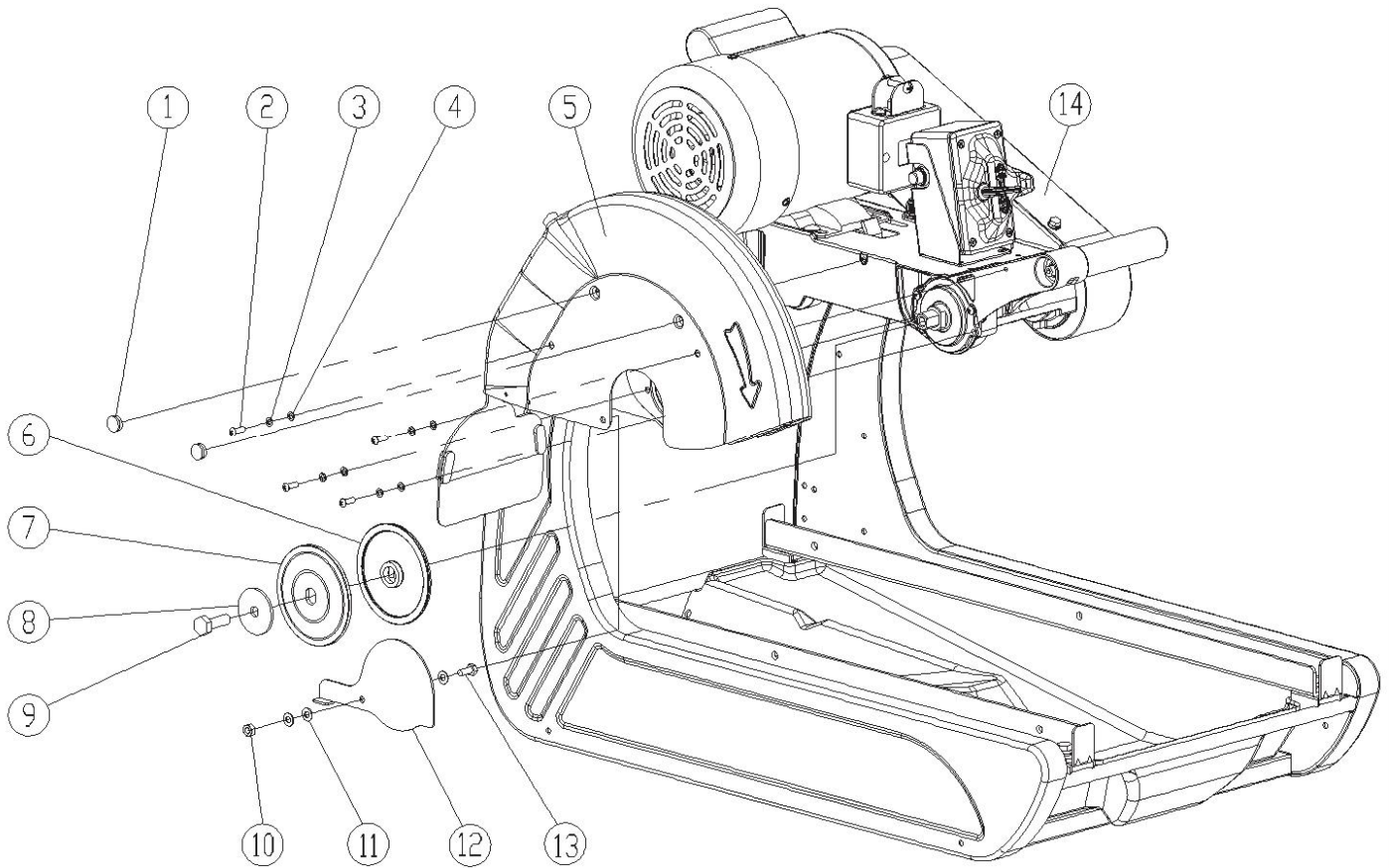
#	UPC	Part #	Description	307	158	Type
1	70184600797	235076	SCR M6 X 10 1.0 SET DIN916		1	S
2	70184693916	235216	PULLEY 51.3MMx24MM 1G RPF3300A		1	S
3	TBA	235215	KEY 8 X 7 X 30 SQUARE		1	S
4	70184628478	SDT9818	BELT RPF3300 13x7 35LI (1)		1	W
5	70184600851	SDT0322	M6 X 1.0 X 10L HEX BOLT		4	S
6	70184600756	235018	WASHER LOCK M6 DIN127B		4	S
7	70184600585	27539	WASHER M6 DIN 125 FLAT		4	W
8	70184695036	235235	BBM158 BELT GUARD		1	S
9	70184644931	242033	KEY 5 X 5 X 30 SQUARE		1	S
10	70184630414	235236	PULLEY 63.5mm x 13x7 1G RPF3300A		1	S
11	TBA	235237	BELT GUARD BRACKET BBM158		1	S
12	70184600562	232110	WASHER M8 DIN125 FLAT		2	S
13	TBA	235012	M8 LOCK WASHER		2	S
14	70184600764	235031	SCR M8 X 16 1.25 DIN933		2	S

Order by UPC number; W= Wearing Part, S= Service Part



Motor Assembly BBM158 Only

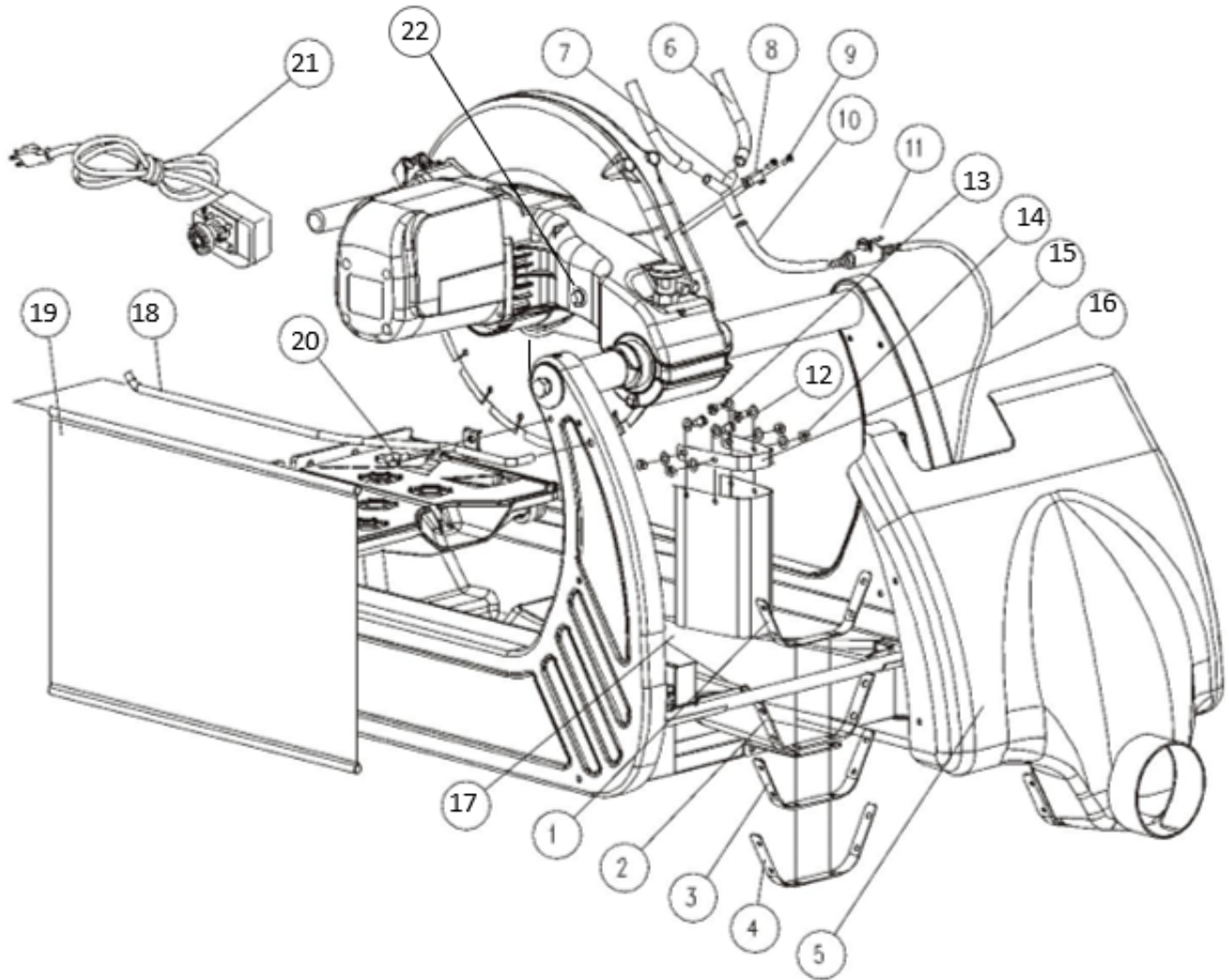
#	UPC	Part #	Description	307	158	Type
1	70184650348	8142002	NUT 5/16-18 HEX		4	S
2	70184600734	235012	WASHER LOCK M8 DIN127B		4	S
3	70184600562	232110	WASHER M8 DIN125 FLAT		4	S
4	TBA	235215	KEY 8 X 7 X 30 SQUARE		1	S
5	70184693916	235216	PULLEY 51.3MMx24MM 1G RPF3300A		1	S
6	70184600797	235076	SCR M6 X 10 1.0 SET DIN916		1	S
7	70184603039	235217	GASKET CAP STARTING BBM158		4	W
8	70184630594	235218	CAPACITOR START BBM158		1	W
9	70184603040	235219	SCR 10-24 X 1/4" PHL RDHD (100 PAK)		4	S
10	70184630593	235220	HOUSING START CAP BBM158		1	S
11	70184631184	235221	COVER RUN CAPACITOR BBM158		1	S
12	70184631185	235222	CAPACITOR RUN BBM158		1	S
13	TBA	8024039	BOLT 5/16-18 X 3/4 CARR		4	S
14	70184631186	235223	GASKET RUN CAP COVER BBM158		1	S
15	70184600850	235136	NUT M6 DIN985 LOCK		1	S
16	TBA	235224	SCR M6 1.0 X 35 PHILLIPS HEAD		1	S
17	70184630092	240024	MOT 2HP 115/230/60 BBM158		1	W
18	70184603041	235225	SCR 10-24 X 3/8 PHIL RDHD (100 PAK)		3	S
19	70184647073	235226	FAN COVER BBM158		1	S



Blade Guard Assembly BBM158 Only

#	UPC	Part #	Description	307	158	Type
1	TBA	235253	PLUG SCR COVER		2	S
2	70184600852	235138	SCR M4 X 20 0.7 DIN7985A		4	S
3			WASHER M4 LOCK DIN127B		4	S
4	70184600873	235104	WASHER M4 DIN125 FLAT (100 PAK)		4	S
5	70184600845	235131	BBM158 BLADE GUARD		1	S
6	70184600847	235133	TIGHT COLLAR BBM307		2	S
7	70184600848	235134	LOOSE COLLAR BBM/YMB307		1	S
8	70184600788	235063	WASHER M10 X 40 X 3 BLD S		1	S
9	70184600893	235142	SCR M10 X 20 1.5 DIN933 LH		1	S
10	70184600850	235136	NUT M6 DIN985 LOCK		1	S
	70184600756	300279	WASHER LOCK M6 DIN127B		1	S
11	70184600585	27539	WASHER M6 FLAT DIN125		2	S
12	70184600846	235132	ARBOR COVER BBM307		1	S
13	70184600851	235137	SCR M6 X 10 1.0 DIN933		1	S
14	70184695036	235235	BBM158 BELT GUARD ONLY		1	S

Order by UPC number; W= Wearing Part, S= Service Part



Optional Splash Guard Assembly BBM307 & BBM158

#	UPC	Part #	Description	307	158	Type
1	70184600766	235035	BRACKET "U" SHAPED SMALLD	1	1	S
2	70184600762	235026	DUST/WATER COLLECTING PAN	1	1	S
3	70184600767	235036	RUBBER SEAL	1	1	S
4	70184600768	235037	BRACKET "U" SHAPED LARGE	1	1	S
5	70184600753	235011	DUST/WATER SPLASH GUARD W/HW Includes: # 5, 1, 2, 3, 4 and shop vac adapter	1	1	OPT
6	70184600817	235096	WATER TUBE BLADE GRD (2)	1	1	S
7	70184600818	235097	FIT HOSE "Y" BBM307 5/16	1	1	S
8	70184600819	235098	BRACKET MOUNT WATER SYS	1	1	S
9	70184600898	235099	SCR M4 X 8 DIN966 PHILIPS	2	2	S
10	70184600820	235100	WATER TUBE SHORT BBM	1	1	S
11	70184600821	235101	VALVE BBM307	1	1	S
12	70184600872	235103	SCR M4 X 12 0.7 DIN933	4	4	S
13	70184600873	235104	WASHER M4 DIN125 FLAT (PACK OF 100)	4	4	S
14	TBA	235105	WASHER LOCK	4	4	S
15	70184600824	235106	WATER TUBE LONG BBM	1	1	S
16	TBA	235107	BRACKET BLADE SPLASH GUARD	1	1	S
17	70184600835	235108	SPLASH GUARD BLADE BBM	1	1	S
18	OBSOLETE	235109	(OBS) NO REPLACEMENT SUPPORT ROD SIDE SPLASH GUARD	1	1	S
19	OBSOLETE	235110	(OBS) NO REPLACEMENT SIDE SPLASH GUARD	1	1	S
20	70184600836	235111	NUT WING M5X12 0.8 DIN316	1	1	S
21	70184680886	233027	PUMP WATER	1	1	OPT
22	70184627019	235167	THERMAL RESET 18A BBM307	1		S

Order by UPC number; W= Wearing Part, S= Service Part. OPT= Optional Accessory



Optional Accessories BBM307 & BBM158

#	UPC	Part #	Description	307	158	Type
1	70184600704	235003	WET CUTTING KIT BBM307/BBM158	1	1	OPT
2	70184600691	235001	STAND BBM307 and BBM158	1	1	OPT
3	70184602862	233934	VAC ATTACHMENT SYSTEM BBM307	1	1	OPT
4	70184682710	234030	RIP GUIDE45/90 CTC/YTM7	1	1	OPT
5	70184680897	233034	MITER BLOCK W/HARDWARE	1	1	OPT
6	70184680905	233041	WRENCH UNIVERSAL	1	1	OPT
7	70184680907	233043	GUIDE ADJUSTABLE ANGLE	1	1	OPT
8	70184633009	70184633009	GFCI PLUG NEMA 5-15P x NEMA 5-15R			

Order by UPC number; W= Wearing Part, S= Service Part. OPT= Optional Accessory

This page is left intentionally blank

WARNING

Some dust created by power sanding, sawing, grinding, drilling, and other construction activities contains chemicals known to cause cancer, birth defects or other reproductive harm. Some examples of these chemicals are:

- Lead from lead-based paints,
- Crystalline silica from bricks and cement and other masonry products, and
- Arsenic and chromium from chemically-treated lumber.

Your risk from these exposures varies, depending on how often you do this type of work. To reduce your exposure to these chemicals: work in a well ventilated area, and work with approved safety equipment, such as those dust masks that are specially designed to filter out microscopic particles.



REDEFINING
JOBSITE MUSCLE™

www.facebook.com/NortonAbrasivesNA | www.youtube.com/NortonAbrasives | www.nortonabrasives.com

USA CUSTOMER SERVICE:

Toll Free Phone: 1 (800) 554-8003
Toll Free Fax: 1 (800) 443-1092

CANADA CUSTOMER SERVICE:

Toll Free Phone: 1 (800) 263-6565
Toll Free Fax: 1 (800) 561-9490

© Saint-Gobain.

Norton, Norton Clipper, "Redefining Jobsite Muscle" and "Transforming surfaces...and beyond" are trademarks of Saint-Gobain. All other trademarks are the property of their respective owners.

