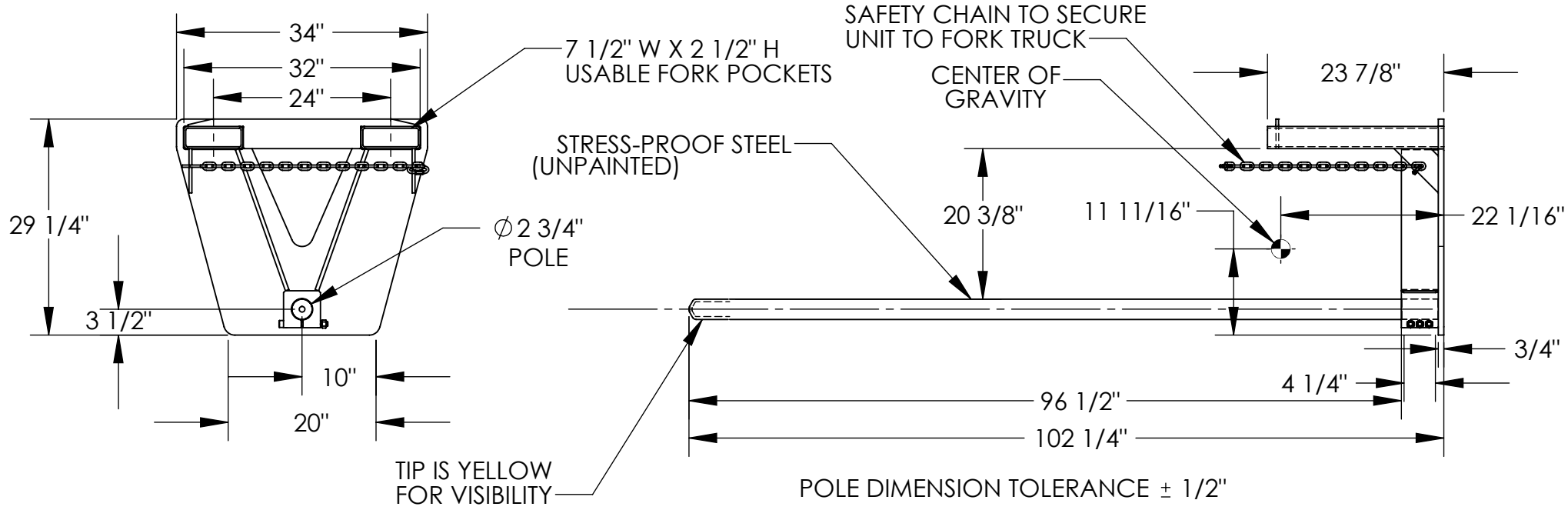


# FORK MOUNTED INVERTED RUG RAM - CRP-96

APPROX WEIGHT: 436.88 lbs.  
DOES NOT INCLUDE WEIGHT OF POWER OR PACKAGING!!!

\*\*\* ANY ADDITIONS, DELETIONS, OR OMISSIONS MUST BE CORRECTED ON THIS DRAWING AS THIS DRAWING WILL BE CONSIDERED ALL INCLUSIVE \*\*\*

ALL GRAPHICS PROVIDED ARE FOR REFERENCE ONLY. IF CERTAIN DIMENSIONS ARE CRITICAL PLEASE VERIFY THOSE DIMENSIONS WITH YOUR SALESPERSON



HORIZONTAL CENTER OF GRAVITY: 22 1/16"  
VERTICAL CENTER OF GRAVITY: 11 11/16"  
LOST LOAD: 436 LBS. (APPROX.)  
MINIMUM EFFECTIVE THICKNESS= LESS THAN 1"

NOTE: NEVER EXCEED LOAD CENTER RATING PER  
FORK TRUCK MANUFACTURER'S GUIDELINES.  
DO NOT USE THIS FORK TRUCK ATTACHMENT  
IF LOAD WILL EXCEED FORK TRUCK  
MANUFACTURER'S LOAD CENTER RATING.

DIMENSION TOLERANCE ± 1/4"

TIP IS YELLOW  
FOR VISIBILITY

## STANDARD FEATURES

- MODEL NUMBER: CRP-96
- CAPACITY: 2,500 LBS. UNIFORM CAPACITY
- POLE LENGTH: 96 1/2"
- POLE DIAMETER: 2 3/4"
- OVERALL LENGTH: 102 1/4"
- OVERALL HEIGHT: 29 1/4"
- OVERALL WIDTH: 34"
- FORK POCKETS ARE 7 1/2" W x 2 1/2" H  
USABLE ON 24" FORK CENTERS  
WITH SAFETY CHAIN TO SECURE TO THE  
UNIT TO THE MAST OF THE FORK TRUCK
- DURABLE LIQUID PAINT BLUE FINISH

## SPECIAL FEATURES

NONE

<b>APPROVAL</b>	I, THE UNDERSIGNED, AGREE THAT THE PRODUCT AS REPRESENTED SATISFIES DESIGN AND DIMENSION REQUIREMENTS. I ALSO ACKNOWLEDGE MY DUTY TO CONFIRM PRODUCT AND INSTALLATION COMPLIANCE WITH ALL APPLICABLE FEDERAL, STATE AND LOCAL REGULATIONS AND STANDARDS.	
	<b>UNITS REQUIRING APPROVAL DRAWINGS OR MODIFIED ARE NON-RETURNABLE</b>	
	[ ] As drawn [ ] As marked	
Signed: _____		Date: _____
Printed Name: _____		
LEAD TIME WILL START UPON RECEIPT OF SIGNED APPROVAL DRAWING		

DISTRIBUTOR'S NAME:		P.O.#
VESTIL MANUFACTURING		X
DRAWN BY: PAK		W.O.#
DATE: 10/18/2023		X
REFERENCE: X	SCALE: 1:20	SALES: X
QUOTED LEAD TIME: X	QUOTE #	FILE NAME:
	X	08-007-500