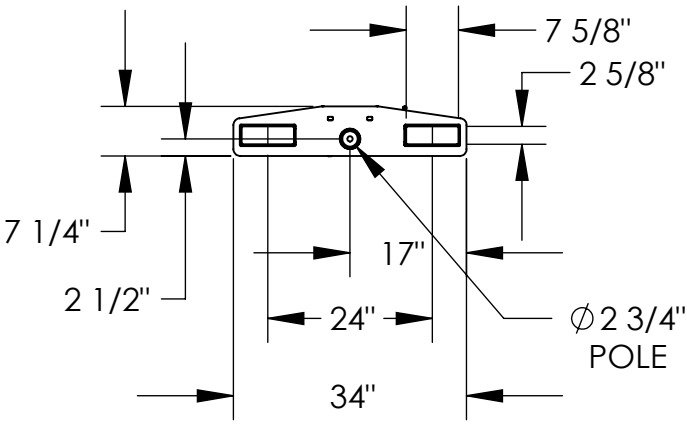


FORK MOUNTED RUG-RAM - CRF-60

APPROX WEIGHT: 294.08 lbs.
 DOES NOT INCLUDE WEIGHT OF POWER OR PACKAGING!!!

*** ANY ADDITIONS, DELETIONS, OR OMISSIONS MUST BE CORRECTED ON THIS DRAWING AS THIS DRAWING WILL BE CONSIDERED ALL INCLUSIVE ***

ALL GRAPHICS PROVIDED ARE FOR REFERENCE ONLY. IF CERTAIN DIMENSIONS ARE CRITICAL PLEASE VERIFY THOSE DIMENSIONS WITH YOUR SALESPERSON



APPROX. WEIGHT / LOST LOAD = 294 LBS.
 MINIMUM EFFECTIVE THICKNESS = LESS THAN 1"
 VERTICAL CENTER OF GRAVITY = 3 3/16"
 HORIZONTAL CENTER OF GRAVITY = 31"

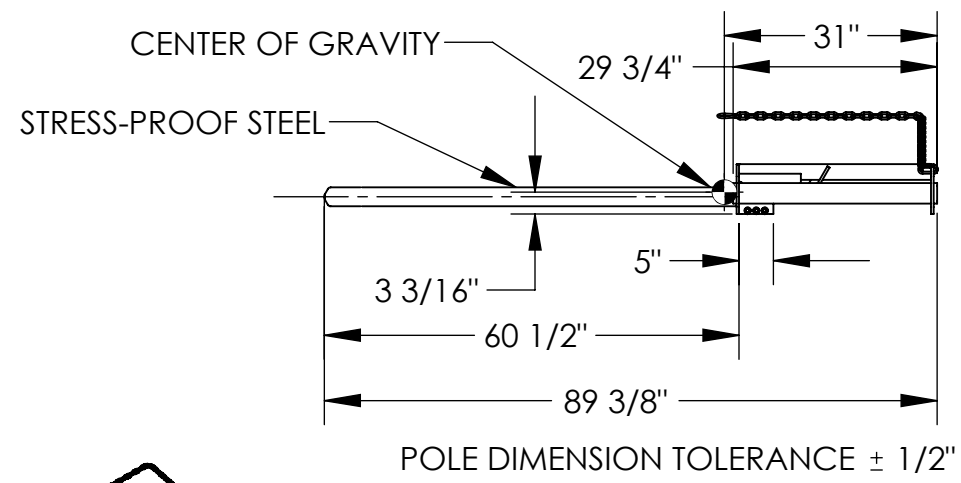
NEVER EXCEED LOAD CENTER
 RATING PER FORKTRUCK
 MANUFACTURERS GUIDELINES.
 DO NOT USE THIS FORK TRUCK
 ATTACHMENT IF LOAD WILL EXCEED
 FORK TRUCK MANUFACTURER'S
 LOAD CENTER RATING

STANDARD FEATURES

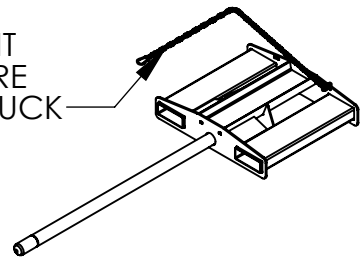
- MODEL NUMBER: CRF-60
- CAPACITY: 2,500 LBS. UNIFORM CAPACITY
- POLE LENGTH: 60 1/2"
- OVERALL LENGTH: 89 3/8"
- POLE DIAMETER: 2 3/4"
- FORK POCKETS ARE 7 5/8" W x 2 5/8" H
- USABLE ON 24" FORK CENTERS
- WITH SAFETY CHAIN TO SECURE TO THE UNIT TO THE MAST OF THE FORK TRUCK
- DURABLE LIQUID PAINT
- BLUE FINISH ON FRAME

SPECIAL FEATURES

NONE



SAFETY RESTRAINT CHAIN TO SECURE UNIT TO FORK TRUCK



3-D VIEW FOR REFERENCE

APPROVAL	I, THE UNDERSIGNED, AGREE THAT THE PRODUCT AS REPRESENTED SATISFIES DESIGN AND DIMENSION REQUIREMENTS. I ALSO ACKNOWLEDGE MY DUTY TO CONFIRM PRODUCT AND INSTALLATION COMPLIANCE WITH ALL APPLICABLE FEDERAL, STATE AND LOCAL REGULATIONS AND STANDARDS.	
	UNITS REQUIRING APPROVAL DRAWINGS OR MODIFIED ARE NON-RETURNABLE	
	[] As drawn [] As marked	
	Signed: _____	Date: _____
Printed Name: _____		
<i>LEAD TIME WILL START UPON RECEIPT OF SIGNED APPROVAL DRAWING</i>		

DISTRIBUTOR'S NAME:		P.O.#
VESTIL MANUFACTURING		X
		W.O.#
DRAWN BY: PAK REFERENCE: X QUOTED LEAD TIME: X	DATE: 10/13/2023 SCALE: 1:28 QUOTE # X	SALES: X FILE NAME: 08-007-496