

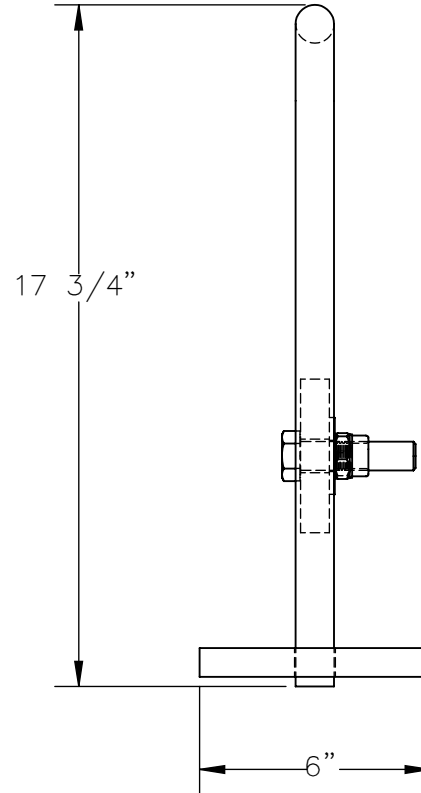
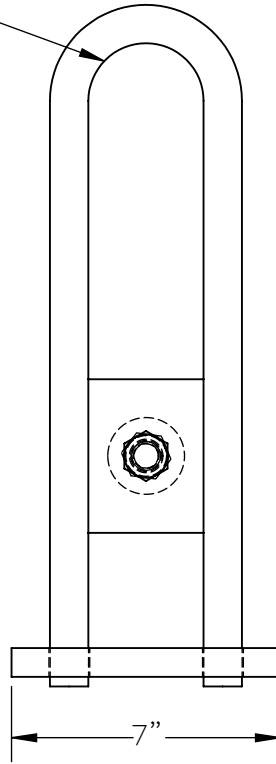
STEEL UPPER BAIL - SM-LB-BFB-100

APPROX WEIGHT: 19.97 lbs.
 DOES NOT INCLUDE WEIGHT OF POWER OR PACKAGING!!!

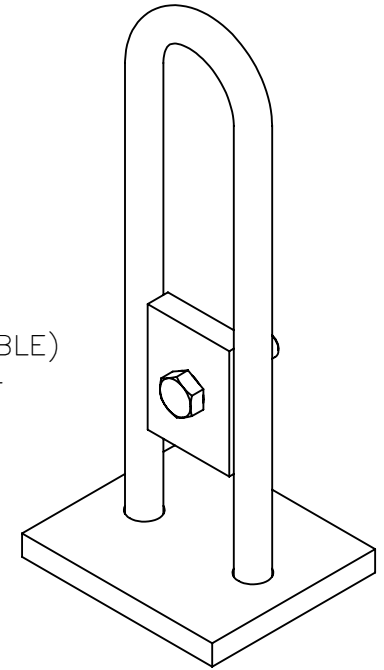
*** ANY ADDITIONS, DELETIONS, OR OMISSIONS MUST BE CORRECTED ON THIS DRAWING AS THIS DRAWING WILL BE CONSIDERED ALL INCLUSIVE ***

ALL GRAPHICS PROVIDED ARE FOR REFERENCE ONLY. IF CERTAIN DIMENSIONS ARE CRITICAL PLEASE VERIFY THOSE DIMENSIONS WITH YOUR SALESPERSON

LOAD ATTACHMENT
 MADE HERE ON
 LOWER BAILS



ø3/4" BOLT (REMOVABLE)
 FOR POSITIONING BAIL
 IN SPREADER BEAM



DIMENSION TOLERANCE ± 1/4"

STANDARD FEATURES

MODEL NUMBER IS SM-LB-BFB-100
 FOR USE WITH ADJUSTABLE
 SPREADER BEAM SBM-BFB-100-6 & SBM-BFB-100-10
 OVERALL WIDTH IS 7"
 OVERALL LENGTH IS 6"
 OVERALL HEIGHT IS 17 3/4"
 MAX CAPACITY IS 10,000 LBS
 INCLUDES REMOVABLE ø3/4" BOLT FOR POSITIONING
 DURABLE BAKED IN POWDER COATED BLUE FINISH

SPECIAL FEATURES

NONE

APPROVAL	I, THE UNDERSIGNED, AGREE THAT THE PRODUCT AS REPRESENTED SATISFIES DESIGN AND DIMENSION REQUIREMENTS. I ALSO ACKNOWLEDGE MY DUTY TO CONFIRM PRODUCT AND INSTALLATION COMPLIANCE WITH ALL APPLICABLE FEDERAL, STATE AND LOCAL REGULATIONS AND STANDARDS.	
	UNITS REQUIRING APPROVAL DRAWINGS OR MODIFIED ARE NON-RETURNABLE	
	[] As drawn	[] As marked
Signed: _____		Date: _____
Printed Name: _____		
<i>LEAD TIME WILL START UPON RECEIPT OF SIGNED APPROVAL DRAWING</i>		

DISTRIBUTOR'S NAME:		P.O.#
VESTIL MANUFACTURING		X
DRAWN BY: TAL		W.O.#
DATE: 10/28/2024		X
REFERENCE: X	SCALE: 1:5	SALES: X
QUOTED LEAD TIME: X	QUOTE #	FILE NAME:
X	X	08-007-516