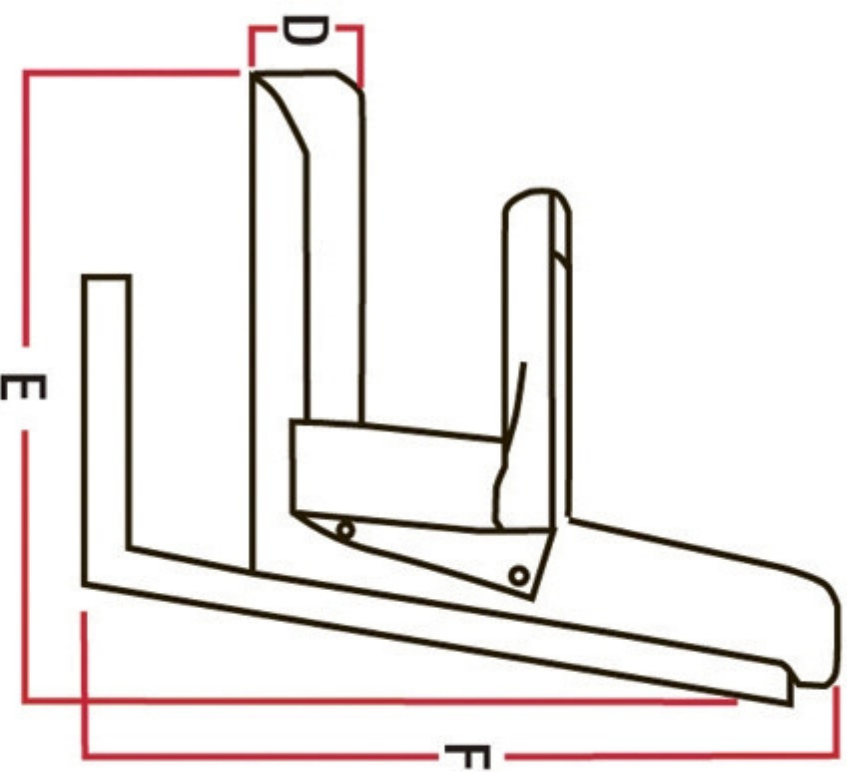


$$A = 17''$$

$$C = 18.5''$$

$$B = 17''$$

$$D = 4''$$



$$E = 22''$$

$$F = 26''$$